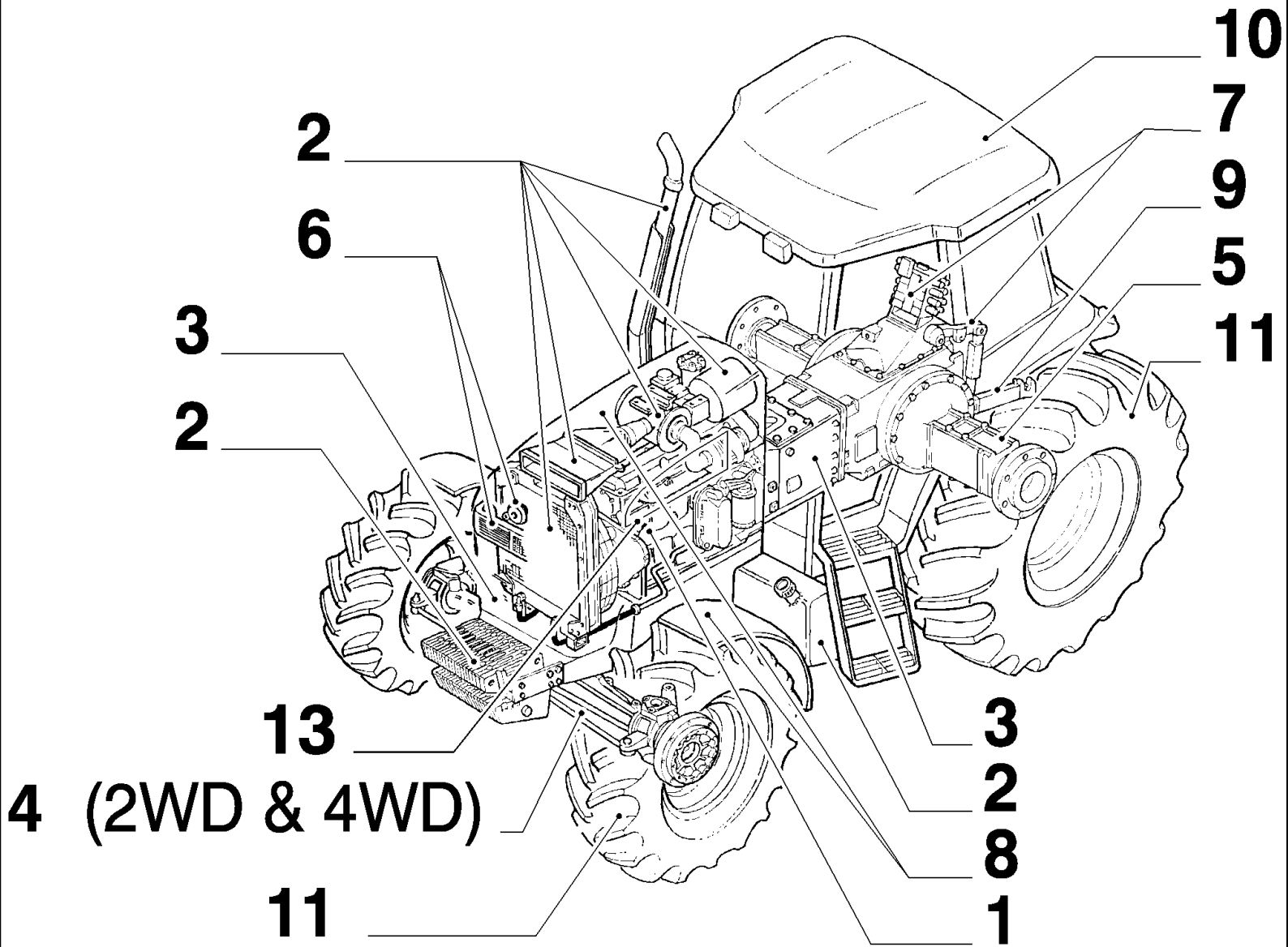


MAIN MAIN SECTIONS

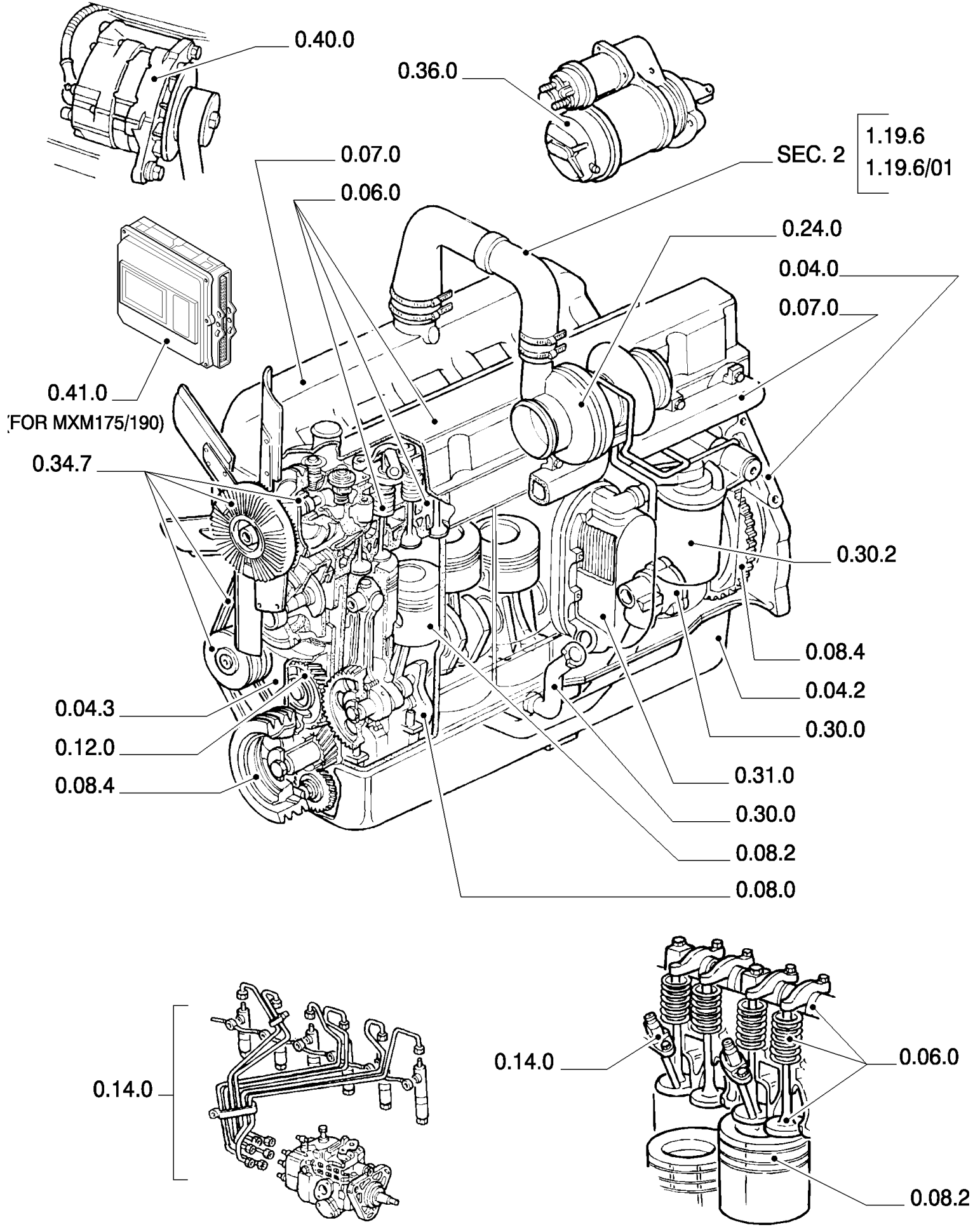


MXM155 CASE IH TRACTOR (6/02- )

MAIN MAIN SECTIONS

сылка	Номер детали	Кол-во	Описание

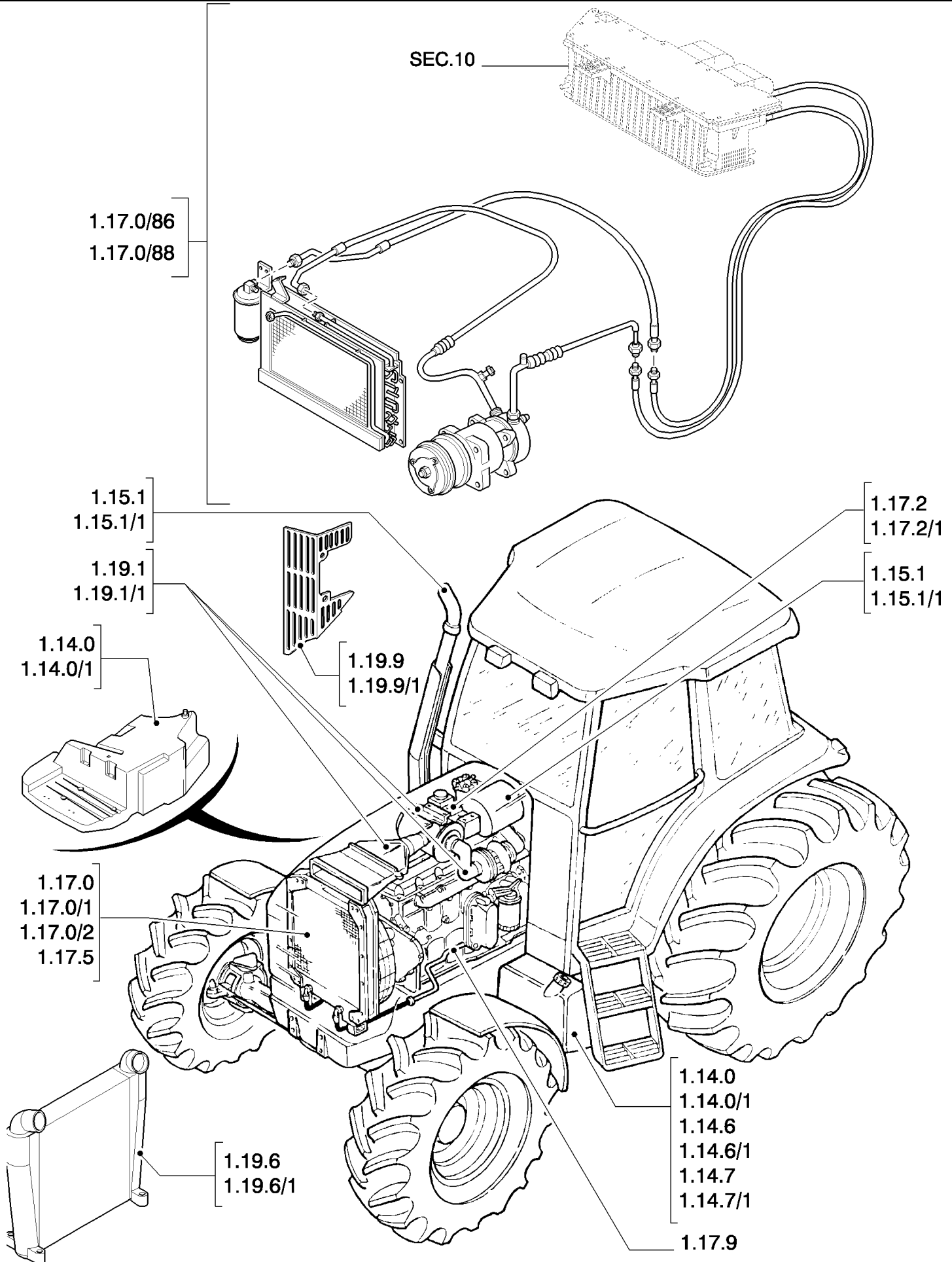
SEC. 01 ENGINE



MXM155 CASE IH TRACTOR (6/02- )

SEC. 01 ENGINE

сылка	Номер детали	Кол-во	Описание

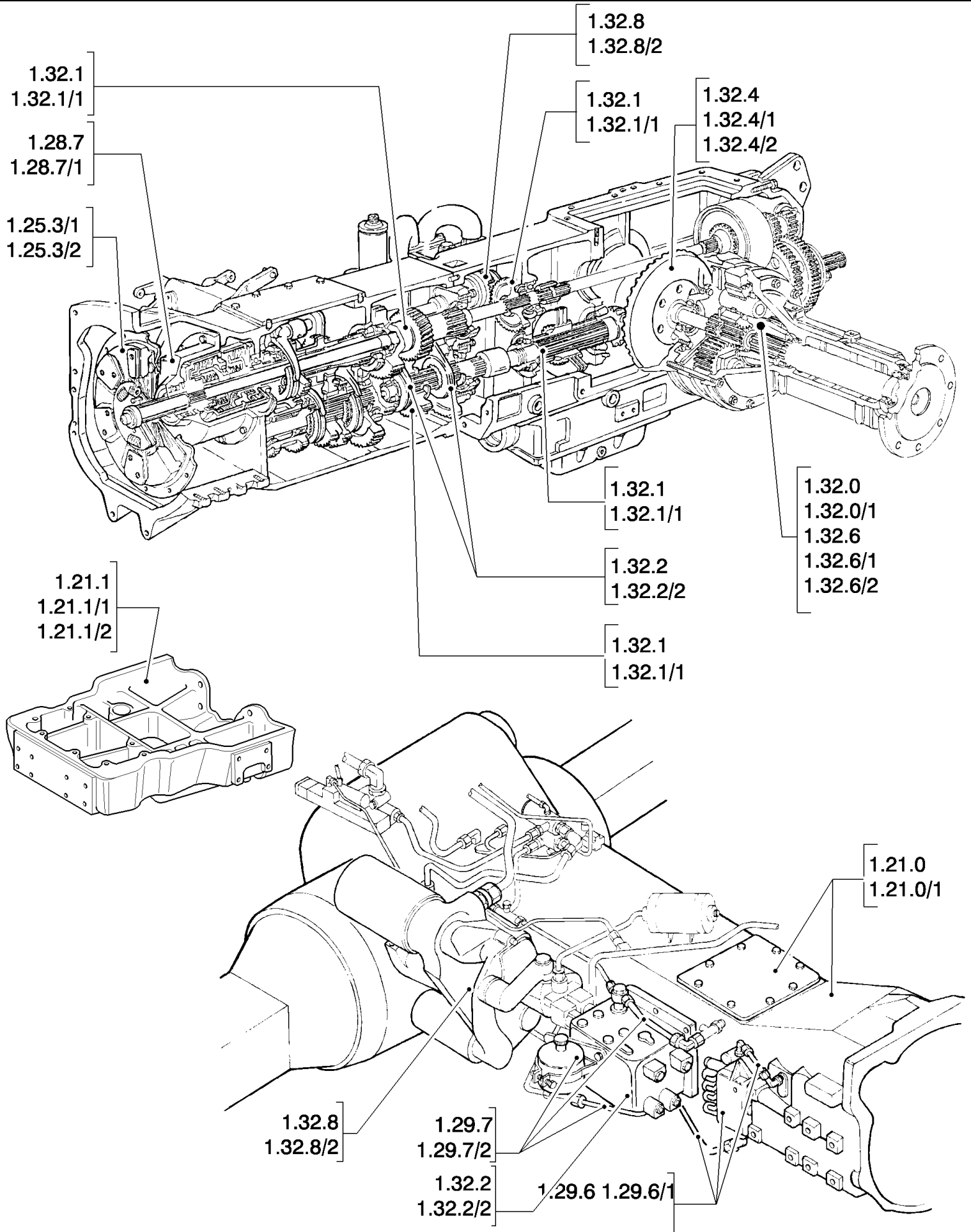


MXM155 CASE IH TRACTOR (6/02- )

SEC. 02 ENGINE EQUIP.

сылка	Номер детали	Кол-во	Описание

SEC. 03 TRANSMISSION

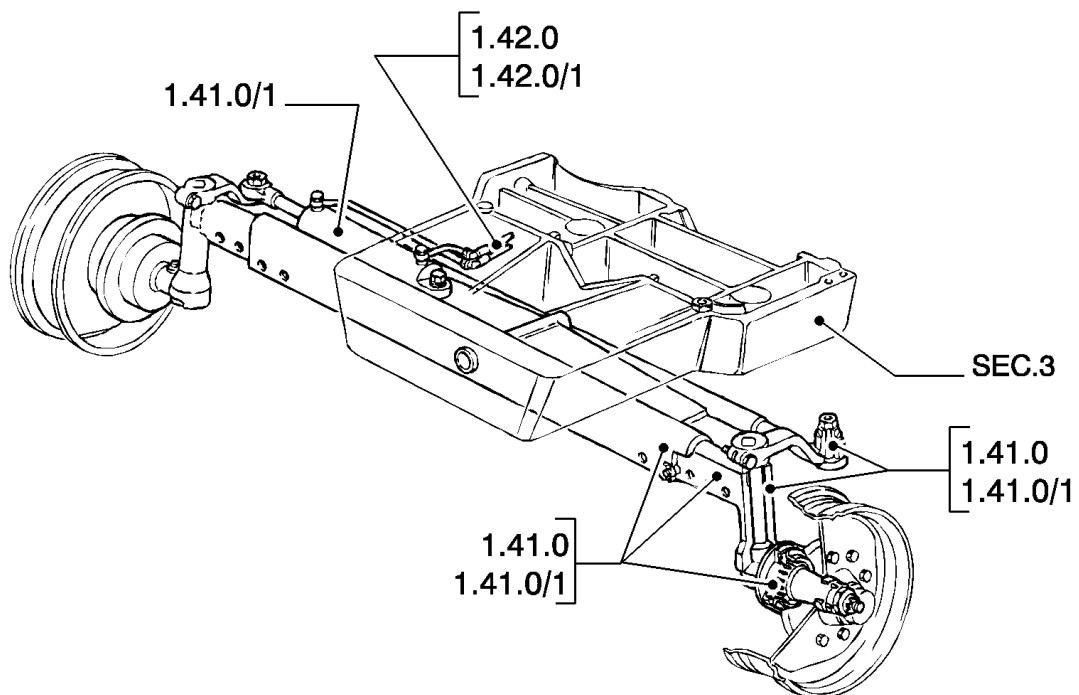
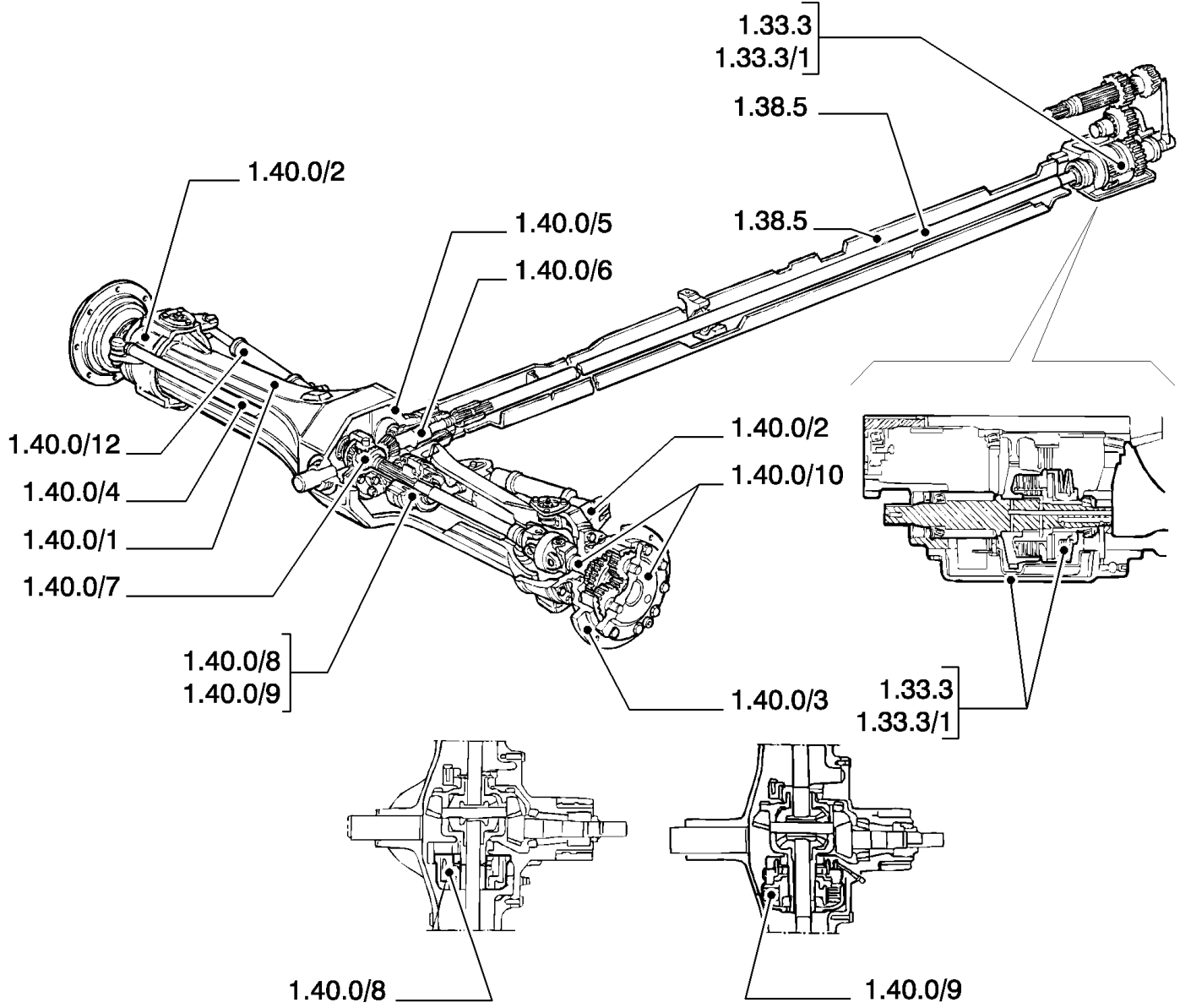


MXM155 CASE IH TRACTOR (6/02- )

SEC. 03 TRANSMISSION

сылка	Номер детали	Кол-во	Описание

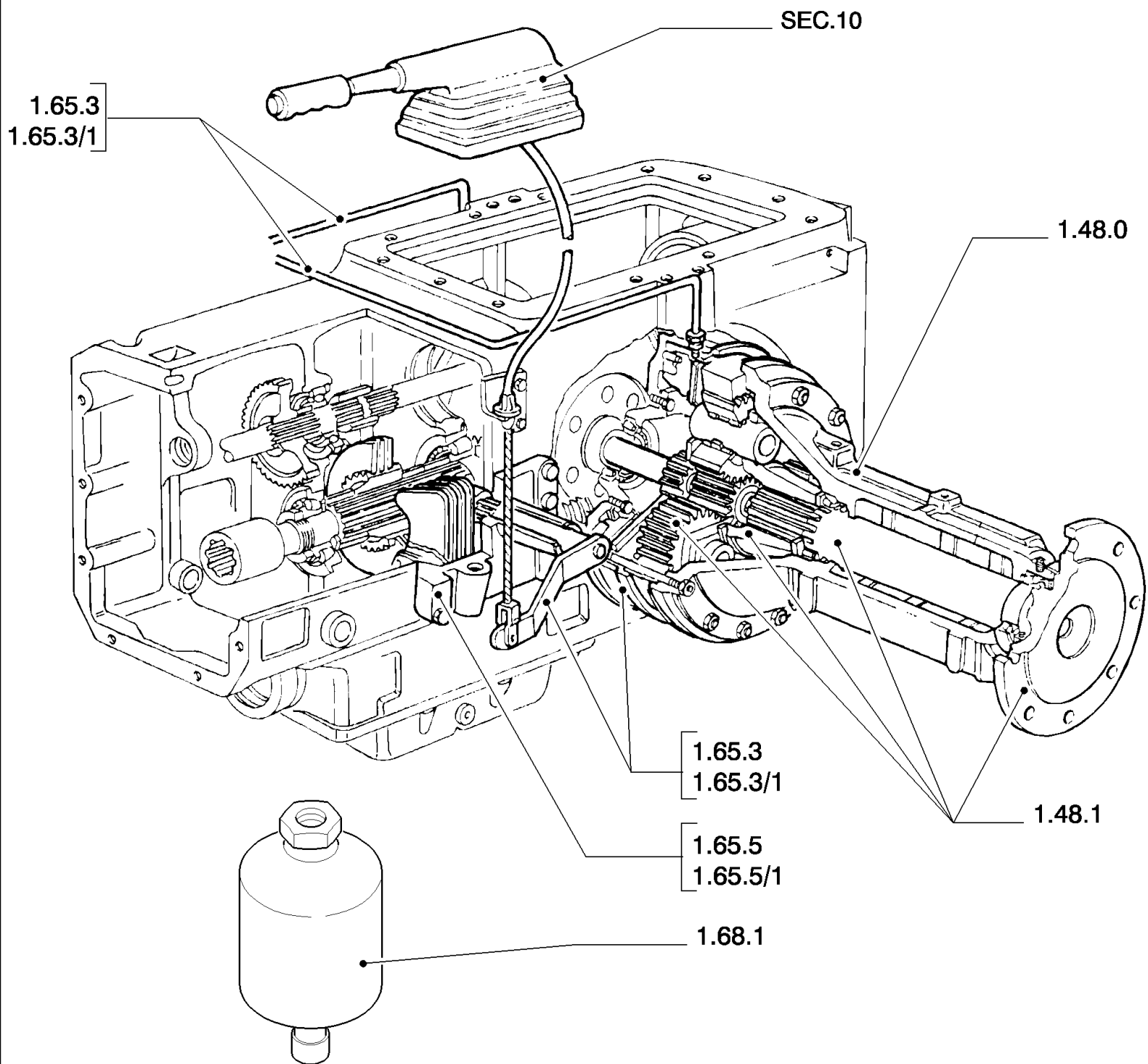




MXM155 CASE IH TRACTOR (6/02- )

SEC. 04 FRONT AXLE

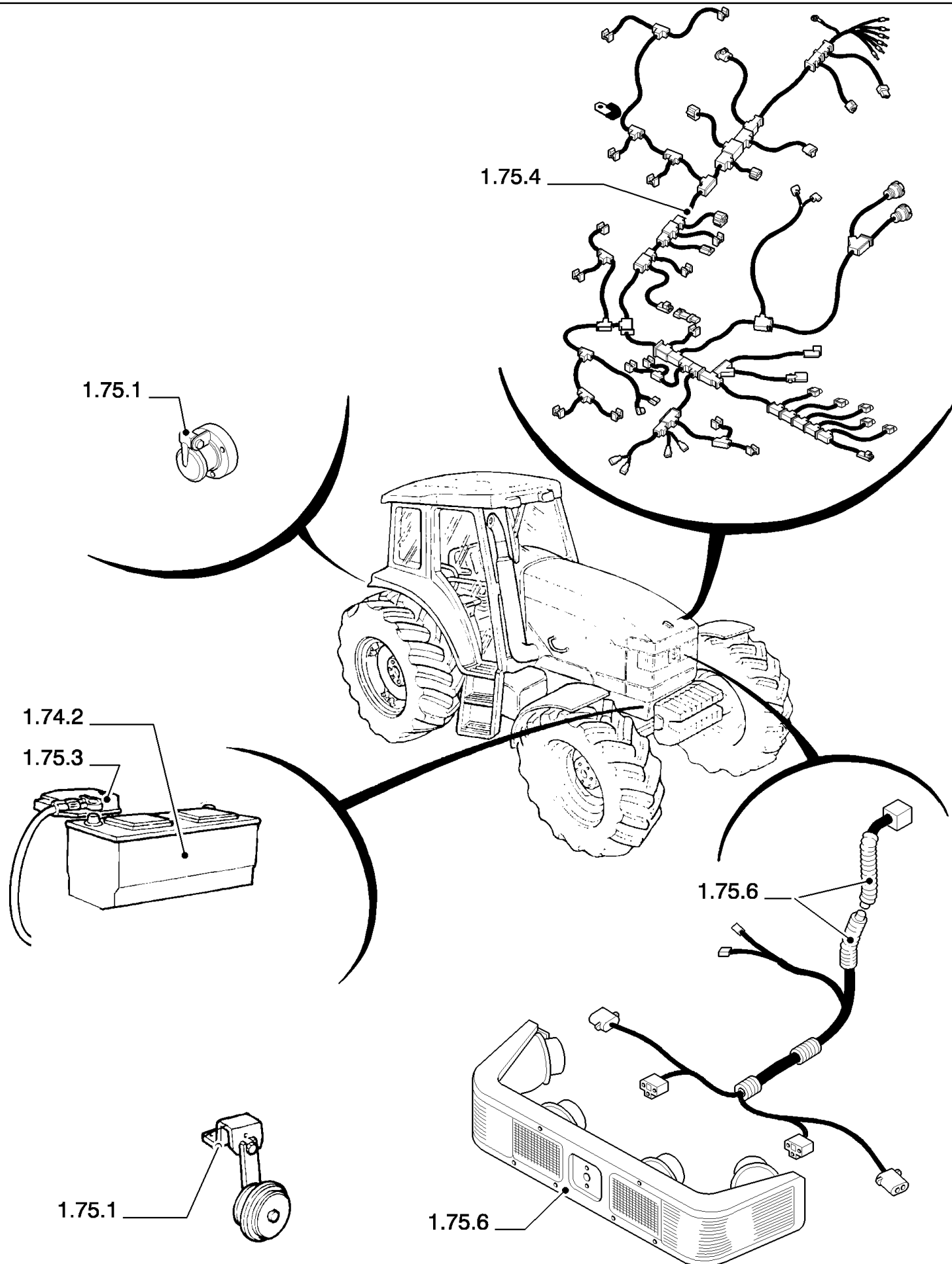
сылка	Номер детали	Кол-во	Описание



MXM155 CASE IH TRACTOR (6/02- )

SEC. 05 REAR AXLE

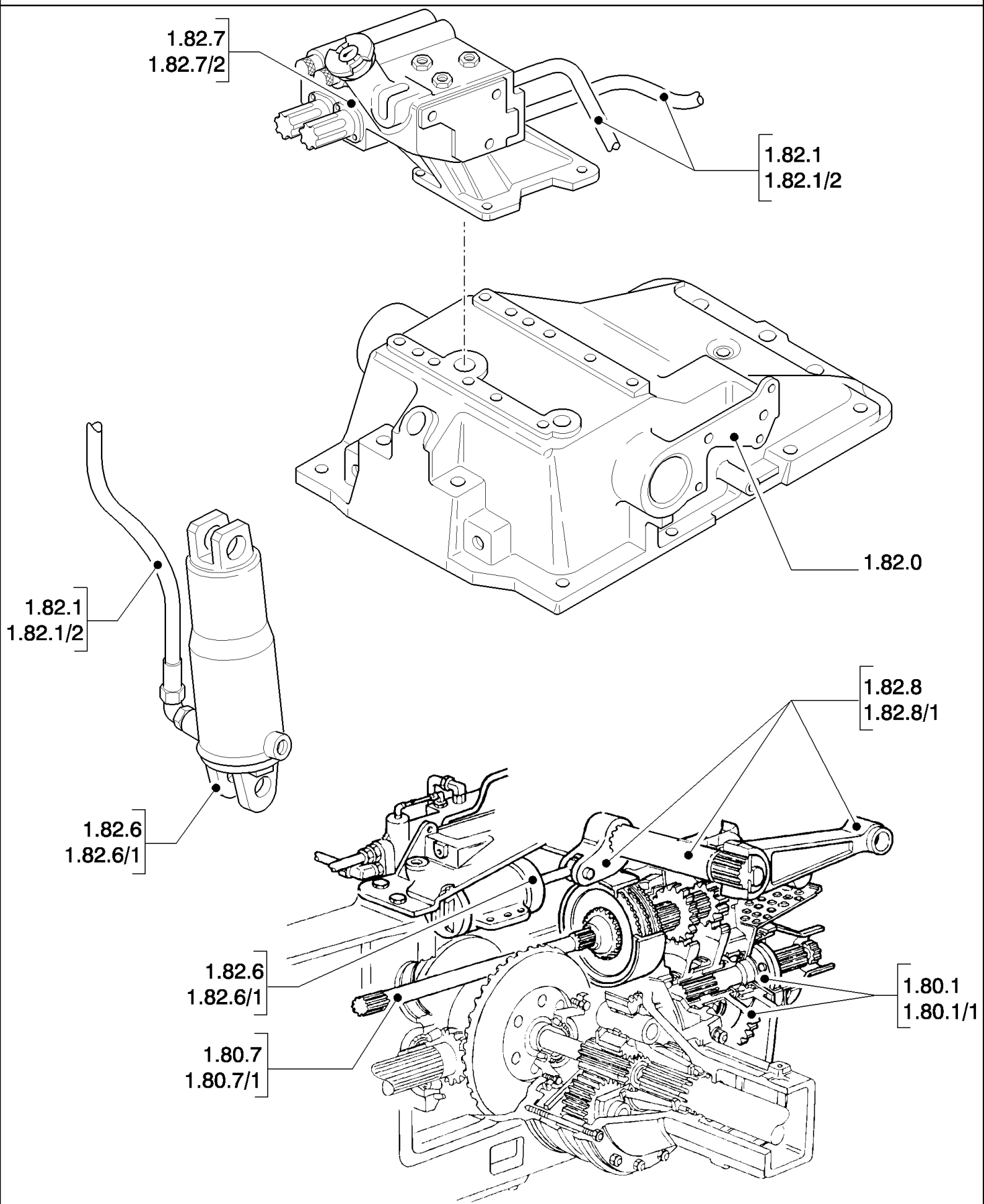
сылка	Номер детали	Кол-во	Описание



MXM155 CASE IH TRACTOR (6/02- )

SEC. 06 ELECTRICAL

сылка	Номер детали	Кол-во	Описание

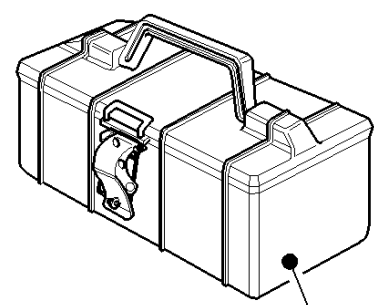
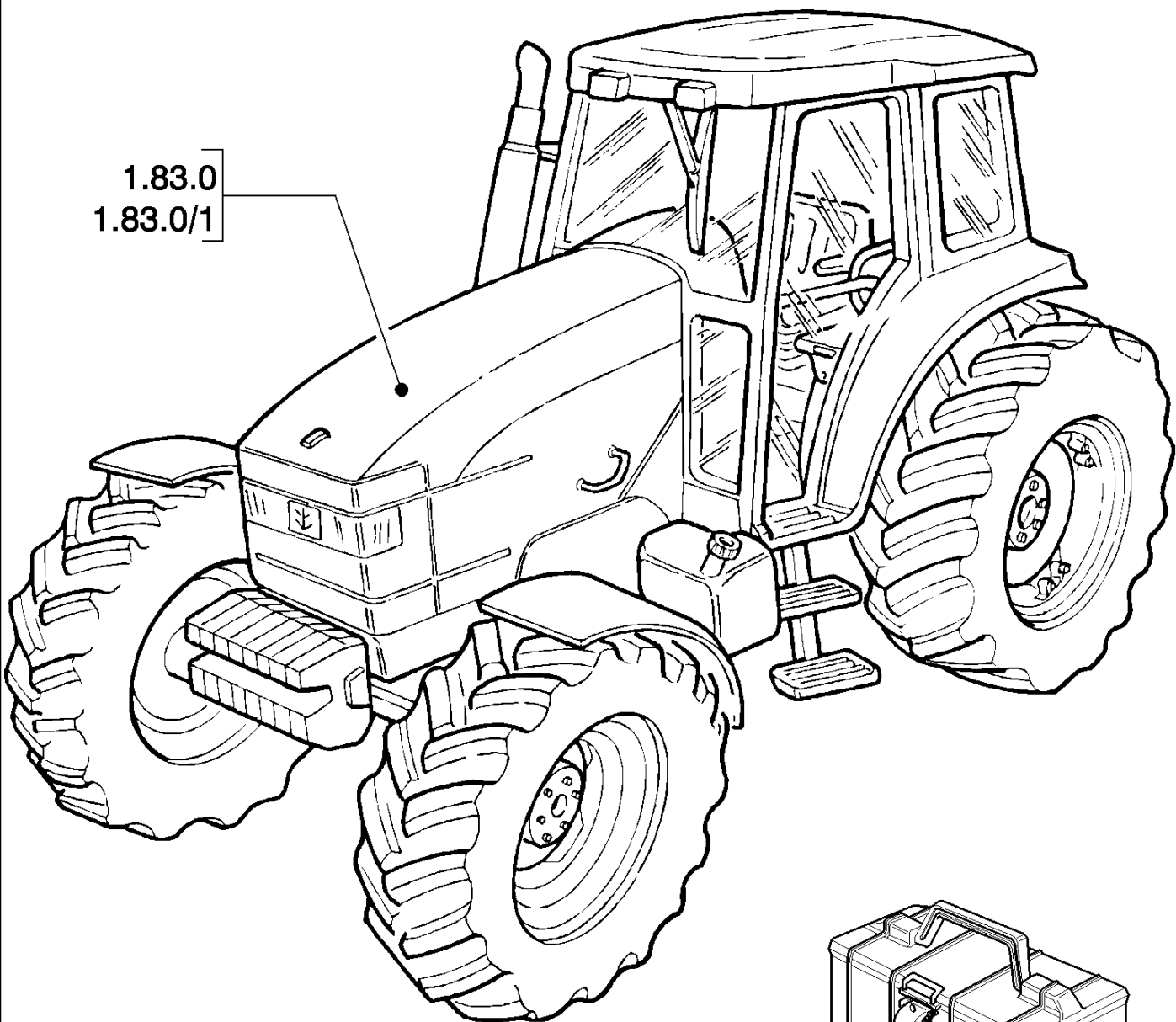


MXM155 CASE IH TRACTOR (6/02- )

SEC. 07 HYDRAULICS

сылка	Номер детали	Кол-во	Описание

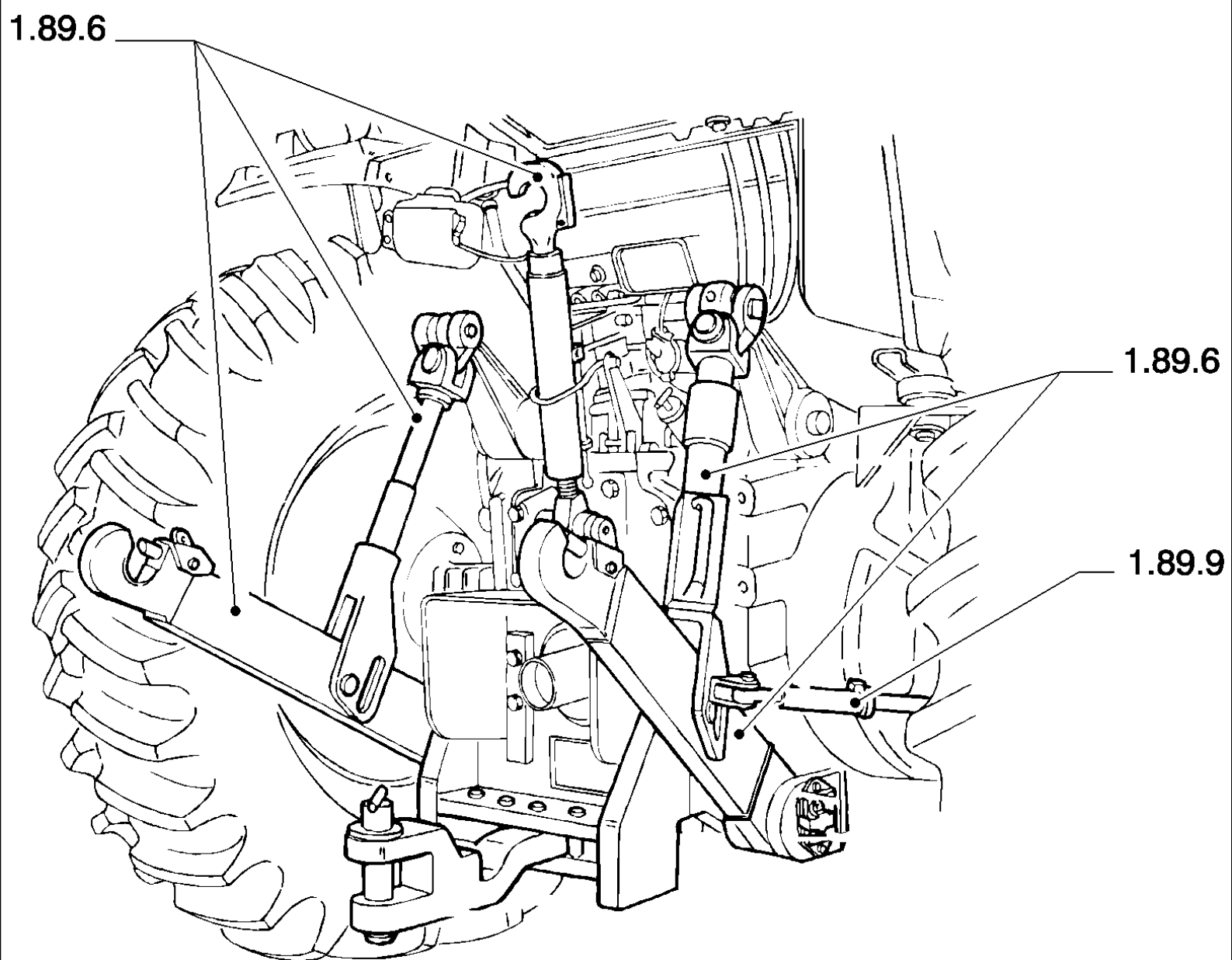




MXM155 CASE IH TRACTOR (6/02- )

SEC. 08 SHEET METAL

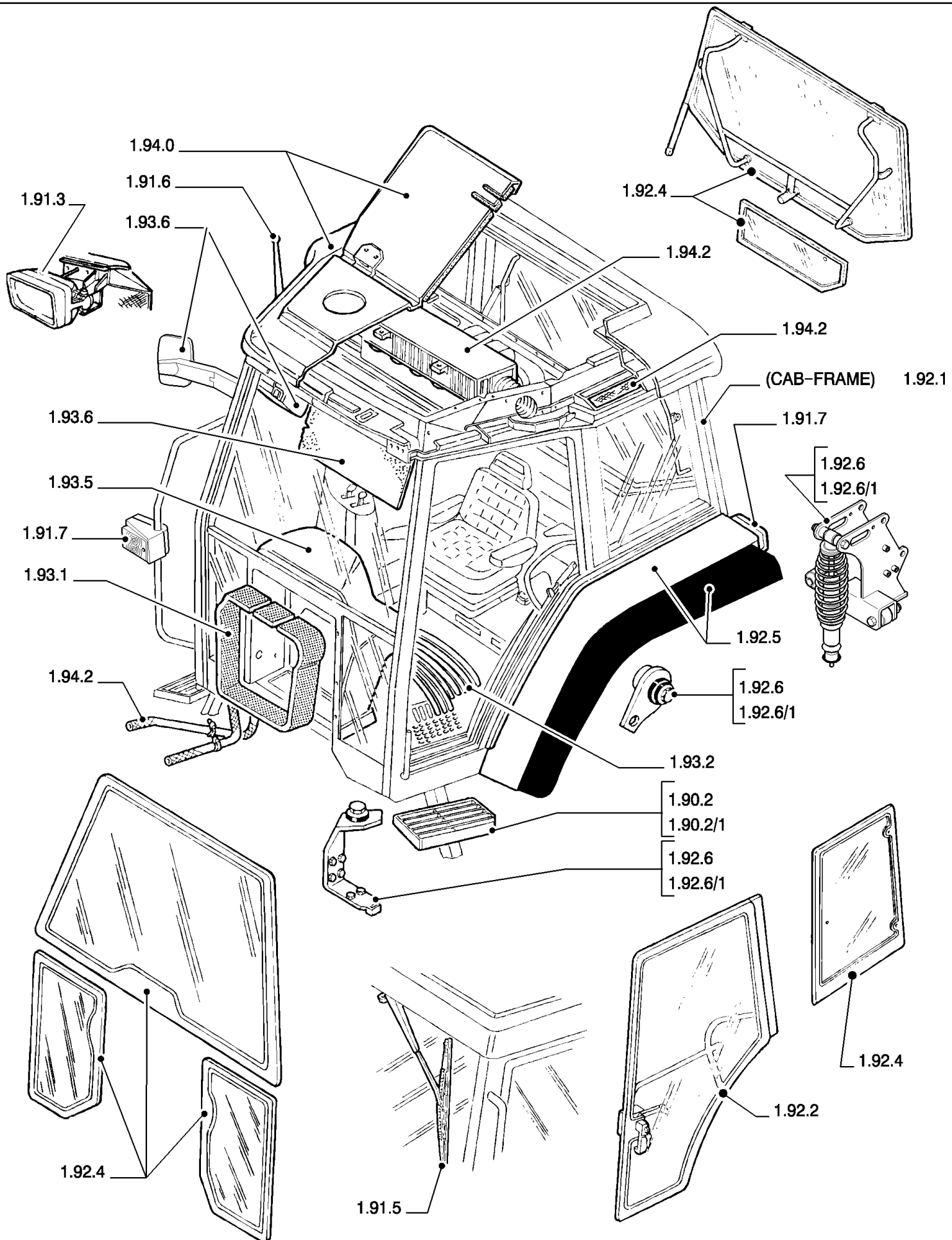
сылка	Номер детали	Кол-во	Описание



MXM155 CASE IH TRACTOR (6/02- )

SEC. 09 LINKAGE

сылка	Номер детали	Кол-во	Описание



MXM155 CASE IH TRACTOR (6/02- )

SEC. 10(01) DRIVER'S COMPARTMENT

сылка Номер детали Кол-во

Описание

сылка	Номер детали	Кол-во	Описание

--	--	--	--

MISCELLANEOUS CAPS

1.96.7

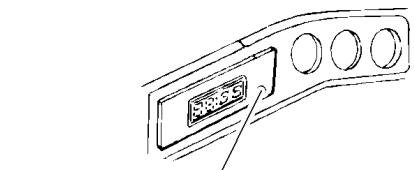
1.91.1  
1.91.1/1

1.97.1

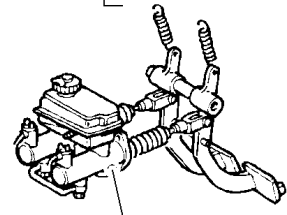
1.95.4  
1.95.4/1

1.97.0  
1.96.0  
1.96.0/1

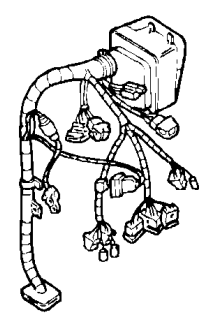
1.97.1  
1.97.0  
1.93.0  
1.91.7  
1.96.3  
1.93.0  
1.96.2



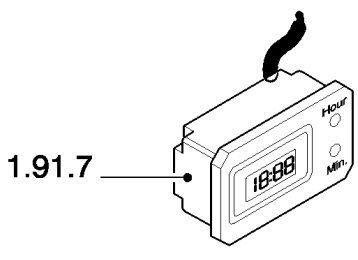
1.91.6



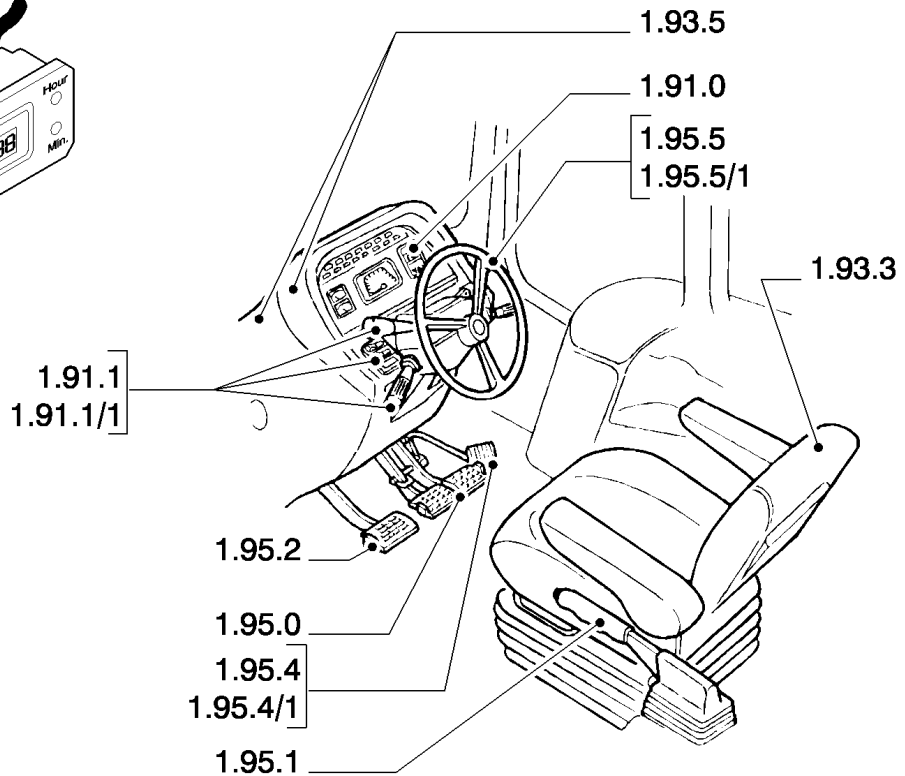
1.95.0  
1.95.0/1



1.91.4



1.91.7



MXM155 CASE IH TRACTOR (6/02- )

SEC. 10(02) DRIVER'S COMPARTMENT

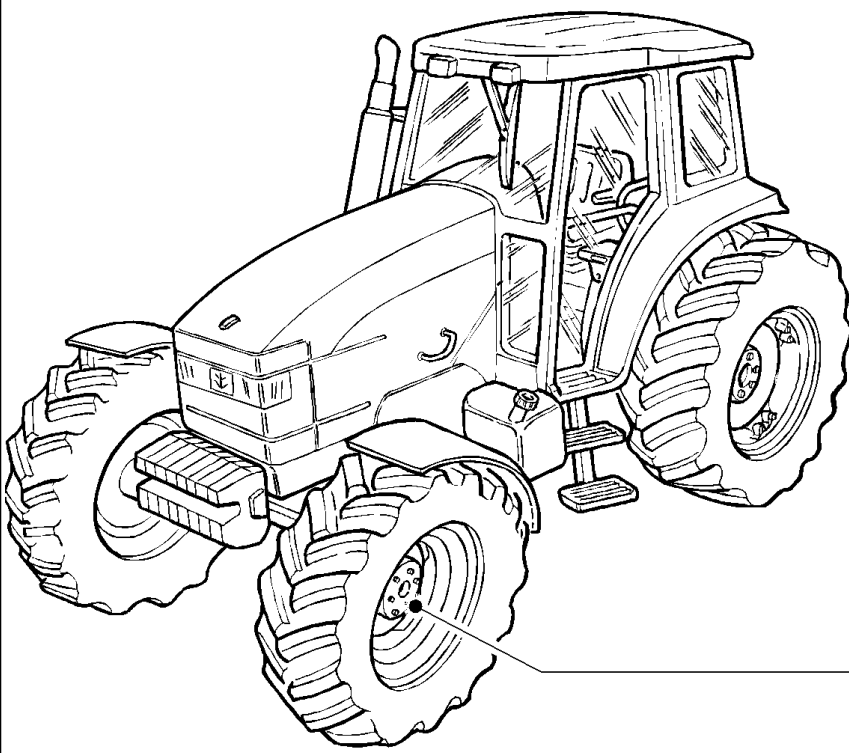
сылка Номер детали Кол-во

Описание

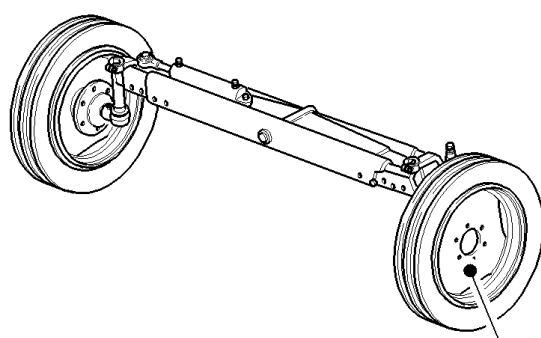
сылка	Номер детали	Кол-во	Описание

--	--	--	--





GROUP	EQUIP	RIM	TIRE SIZE
82.00	82.41	W12X28	14.9 R28 (380/85 R28) A8
	82.41/1	W12X28	14.9 R28
	82.41/2	W12X28	14.9 28 10PR
	82.41/3	W12X28	14.9 R28 (380/85R) A8 R1
	82.41/4	W12X28	380/85 R28 133A8
	82.41/5	W12X28	380/85 R28
	82.50	W12X28	13.6R28 (340/85 R28) A8
	82.50/1	W12X28	380/70 R28 A8
	82.51	W12X28	14.9 R28 R1
	82.53	W15X28	16.9 R28 R1
	82.55	W12X28	16.9 R28 (420/85 R28) A8
	82.55/1	W15X28	16.9 R28 R1
	82.55/2	W15X28	16.9 28 8PR
	82.55/3	W15X28	16.9 R28
	82.55/4	W15X28	16.9 R28 A8
	82.58	DWW13X30	14.9 R30
	82.58/1	W13X30	14.9 R30 A8 R1
	82.58/2	W13X30	14.9 R30 (380/85 R30)
	82.58/3	W13X30	14.9 R30 A8
	82.58/4	W13X30	14.9 R30 (380/85 R30)
	82.74	W15X30	16.9 R30 (420/85 R30) A8 R1
	82.85	W13x34	14.9 R34 R1
	82.95	W10X38	320/85 R38 R1W
	82.95/1	W10X38	320/85 R38
	88.13	W15LX28	480/70 R28 A8 R1
	88.15	W15X28	480/65 R28 A8
	88.15/1	W14X28	480/65 R28 A8
	88.25	W14X28	480/65 R28 A8
	88.33	W15X28	420/70 R28 A8 R1
	88.33/1	W15X28	480/70 R28 B R1
	88.51	W12X28	420/70 R28 A8
	88.51/1	W12X28	420/70 R28 DT812
	88.52	W14X28	420/70 R28 A8
88.52/1	W14X28	420/70 R28 DT812	
88.57	W15X30	540/65 R30 A8 R1	
88.58	W15X28	540/65 R28 A8 R1	
88.58/1	W15X28	540/65 R28 B R1	
88.59	W10X34	320/85 R34	
88.65	W15X30	480/70 R30 B R1	
88.68	W15X28	540/65 R28 A8 R1	
88.69	W15X30	540/65 R30 B R1	
88.75	W18X28	600/65 R28 A8 R1	
88.77	W20X28	600/65 R28 B R1	



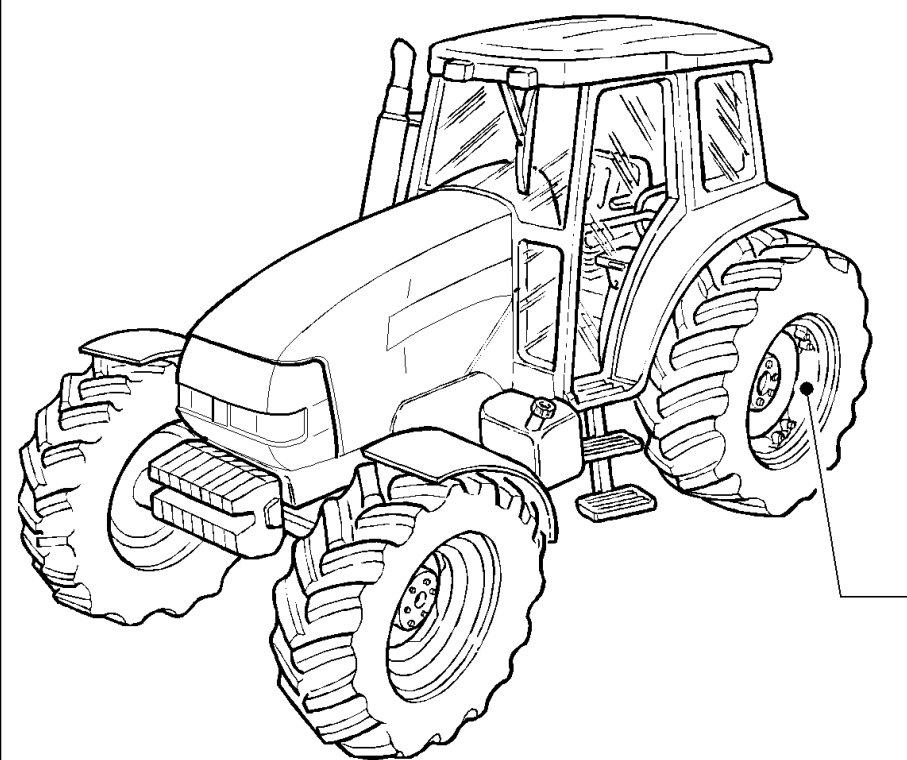
GROUP	EQUIP	RIM	TIRE SIZE
81.00	81.15	W8LX16	11.00 - 16 10PR
	81.32	W11X16.1	14L - 16 1 12PR

MXM155 CASE IH TRACTOR (6/02- )

SEC. 11(01) TRACTION

сылка	Номер детали	Кол-во	Описание

## SEC. 11(02) TRACTION

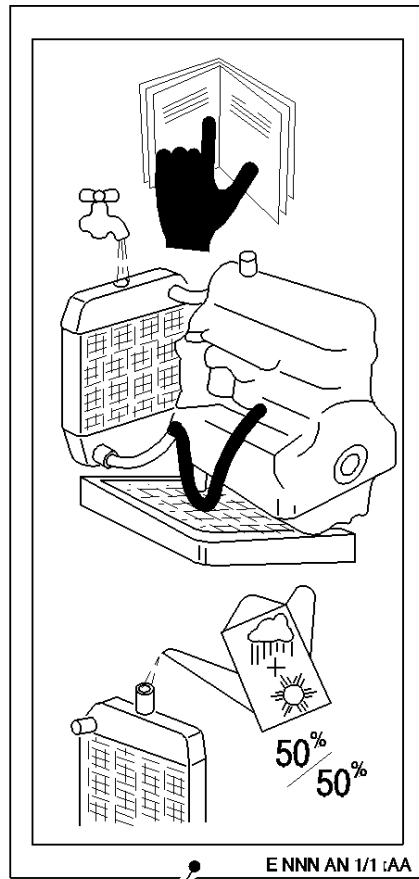


GROUP	EQUIP	RIM	TIRE SIZE
83.00	83.28	W15X38	18.4 R38 (460/85) R38 A8
	83.28/1	W15X38	18.4 R38
	83.28/2	W15X38	18.4 38 8PR
	83.33	W18X38	20.8 R38 R1
	83.33/1	W18X38	20.8 R38 10PR R1
	83.34	W16X38	18.4 R38 R1
	83.44	W10X54	320/90 R54
	83.70	W12X46	14.9 R46
	83.75	W15X38	16.9 R38 (420/85) R38 A8
	83.76	W15X38	16.9 R38 (420/85 R38) A8
	83.77	W15X38	18.4 R38
	83.77/1	W15X38	18.4 R38 (460/85 R38) A8
	83.77/2	W15X38	18.4/38 8PR
	83.80	W18X38	20.8 R38 (520/85 R38) A8 R1
	83.80/1	W18X38	20.8 38 10PR R1
	83.80/2	W18X38	20.8 R38 R1
	83.80/3	W18X38	20.8 R38
	83.81	W18X38	20.8 R38 A8 R1
	83.88	W16X42	18.4 R42 R1
	83.89	W18X42	20.8 R42(520/85 R42) A8 R1
	83.90	W15X42	18.4 R42 A8 R1
	84.24	W18X38	20.8 R38
	84.40	W18X42	20.8 R42
	84.61	W10X54	320/90 R54 R1W
	84.66	W16X46	18.4 R46 R1W
	84.70	W12X46	14.9 R46 R1
	84.80	W18X38	20.8 R38 R1
	84.80/1	W18X38	20.8 R38 (520/85 R38) A8 R1
	84.88	W115X42	18.4 R42 R1
	84.91	W15X42	18.4 R42 A8 R1
	84.95	W18X42	20.8 R42 (520/85 R42) A8 R1
	85.80	W18X38	20.8 R38 R2
	89.14	W23X38	650/75 R38 A8 R1
	89.26	W18X38	600/65 R38 A8 R1
	89.34	DW12X46	16.9 R46
	89.34/1	DW12X46	420/80 R46
	89.49	W18X38	520/70 R38 A8 R1
	89.49/1	W18X38	600/65 R38 A8
	89.53	W18X42	620/70 R42 A8 R1
	89.69	W18X38	600/65 R38
	89.69/1	W18X38	600/65 R38 A8 R1
	89.71	W18X42	580/70 R42 A8 R1
89.75	W18X38	520/70 R38 A8	
89.75/1	W18X38	580/70 R38 A8 R1	
89.76	W15X38	480/70 R38 A8	
89.78	DW15LX38	520/70 R38	
89.79	W15X38	520/70 R38 A8	
89.84	W18X38	560/70 R38 A8 R1	
89.85	W18X42	650/65 R42 A8 R1	
89.86	W18X38	650/65 R38 A8 R1	
89.88	DW23X38	710/70 R38 A8 R1	
89.89	W18X42	650/65 R42 A8 R1	
89.97	W18X42	650/65 R42 A8 R1	
89.98	W18X38	650/65 R38 A8 R1	
89.99	W23X38	710/70 R38 A8 R1	

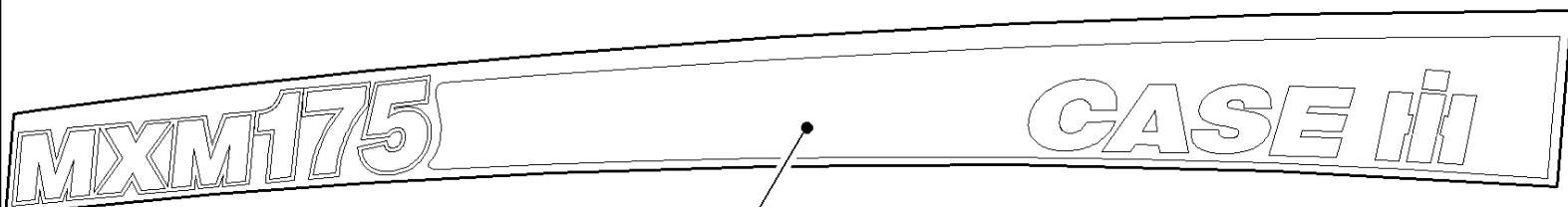
MXM155 CASE IH TRACTOR (6/02- )

SEC. 11(02) TRACTION

сылка	Номер детали	Кол-во	Описание



1.98.0



1.98.2

MXM155 CASE IH TRACTOR (6/02- )

SEC. 13 DECALS

сылка	Номер детали	Кол-во	Описание

<b>VERSIONS LIST</b> <b>ELENCO VERSIONI</b> <b>LISTE DES VERSIONS</b> <b>VERSIONENAUFLISTUNG</b>			<b>LISTA DE LAS VERSIONES</b> <b>LISTA DAS VERSÕES</b> <b>VERSIELIJSTLISTE OVER MODELVESRIONER</b> <b>LIJST VAAN MACHINEVERSIES</b>		
<b>MODEL</b> <b>MODELLO</b> <b>MODELE</b> <b>MODELI</b> <b>MODELO</b> <b>MODELO</b> <b>MODEL</b> <b>MODEL</b>	<b>TECHNICAL TYPE</b> <b>TIPO TECNICO</b> <b>TYPE TECHNIQUE</b> <b>TECHNISCHER TYP</b> <b>TIPO TÉCNICO</b> <b>TIPO TÉCNICO</b> <b>TECHNISCH TYPE</b> <b>TEKNISK TYPE</b>	<b>ENGINE IDENTIFICATION</b> <b>IDENTIFICAZIONE MOTORE</b> <b>IDENTIFICATION MOTEUR</b> <b>KENNZEICHEN MOTOR</b> <b>IDENTIFICACION MOTOR</b> <b>IDENTIFICAÇÃO DO MOTOR</b> <b>MOTORIDENTIFICATIE</b> <b>MOTORKENDINGSPLADE</b>			
MXM 120 2WD	696.082.212	604.436.204			
MXM 120 4WD	696.082.214	604.436.204			
MXM 130 2WD	696.082.222	604.436.203			
MXM 130 4WD	696.082.224	604.436.203			
MXM 140 2WD	696.082.232	604.436.202			
MXM 140 4WD	696.082.234	604.436.202			
MXM 155 2WD	696.082.242	604.436.201			
MXM 155 4WD	696.082.244	604.436.201			
MXM 175 2WD	696.082.252	604.436.802			
MXM 175 4WD	696.082.254	604.436.802			
MXM 190 2WD	696.082.262	604.436.801			
MXM 190 4WD	696.082.264	604.436.801			

0.01.0 VERSION LIST

сылка	Номер детали	Кол-во	Описание



VARIANT CODE	DESCRIPTION	APPLICATION					
		MXM120	MXM130	MXM140	MXM155	MXM175	MXM190
001	France version (see sgr.1.98.3)	●	●	●	●	●	●
002	German version (see sgr.1.98.0/01)	●	●	●	●	●	●
007	North America version (see sect. 10-13)	●	●	●	●	●	●
008	Dry air cleaner (see sgr. 1.19.1/03)	●	●	●	●	●	●
023	Front weight carrier for fan styled weights (see sgr. 1.21.5)	●	●	●	●	●	●
034	Austria version (see sgr. 1.98.0/02)	●	●	●	●	●	●
037-039	Weight carrier (see sgr. 1.21.5/01)	●	●	●	●	●	●
066-068	Weight carrier with hook (see sgr. 1.21.5/02)	●	●	●	●	●	●
080	Hydraulic APUH f/1 aux. Ram (see sgr. 1.89.3/04 , 1.89.5/02)	●	●	●	●	●	●
117	Creep transmission for semi power shift (see sgr. 1.32.3/01)	●	●	●	●	●	●
131	Fire shield (see sgr. 1.14.7/02)	●	●	●	●	●	●
146	Creep transmission for full power shift (see sgr. 1.32.3/02)	●	●	●	●	●	●
146/1	Suppl. gear reduction unit for full power-shift (see sect. 3-7-10)	●	●	●	●	●	●
147	Electronic control for semi power shift 17x6 (30Km/H) (see sgr. 1.97.1)	●	●	●	●	●	●
147/1	Full power shift gear change 19x6. 50 Km/h (see sect. 3-7-10)	●	●	●	●	●	●
170	3-control valve unit (see sect. 7-10)	●	●	●	●	●	●
177	Auxiliary lights kit (left and drive) (see sgr. 1.91.7/01)	●	●	●	●	●	●
177/1	Aux lights kit (right and drive) (see sgr. 1.91.7/02)	●	●	●	●	●	●
178	Trailer air brake UK (see sect. 5-10)	●	●	●	●	●	●
181	119" bar axle for steel wheels and cast wheels (see sgr. 1.48.1/01)	●	●	●	●	●	●
181/1	Transmission oil heater (see sgr. 1.21.0/2)	●	●	●	●	●	●
198	Aircleaner with precleaner (see sgr. 1.19.1/02)	●	●	●	●	●	●
206	Engine coolant heater (see sgr. 1.17.8)	●	●	●	●	●	●
244	3 control valves with joystick for loader for front lift (see sect. 2-7-10)	●	●	●	●	●	●
245	Side rails (see sgr. 1.21.1/02)	●	●	●	●	●	●
245/1	3 control valves with joystick sprung cab (see sect. 2-7-10)	●	●	●	●	●	●
248	Automatic pick up hitch with 2 rams (see sgr. 1.89.3/04 , 1.89.3/05, 1.89.5/02)	●	●	●	●	●	●
252	Battery with 5 control valve with electronic control (see sect. 7-10)	●	●	●	●	●	●
281	Full power shift trans. 18x6 (40Km/H) and 17x6 (30Km/H) (see sections 3)	●	●	●	●	●	●
319	Deluxe air seat w/reeling w/heater in red leather (see sgr. 1.93.3)	●	●	●	●	●	●
385	Trailer air brake Germany (see sect. 5-10)	●	●	●	●	●	●
385/1	Universal trailer air brake (see sect.5-10)	●	●	●	●	●	●
385/2	Trailer air brake Italy (see sect. 5/10)	●	●	●	●	●	●
396	Bracking system valve (see sgr. 1.82.713/07)	●	●	●	●	●	●
414	Trailer brake valve C.C.L.S. (see sgr. 1.82.713/03)	●	●	●	●	●	●
414/1	Trailer brake valve C.C.L.S. (see sgr. 1.82.713/05)	●	●	●	●	●	●
418	Trailer brake valve C.C.L.S. (Italy) (see sgr. 1.82.713/04)	●	●	●	●	●	●
418/1	Trailer brake valve C.C.L.S. (Italy) (see sgr. 1.82.713/06)	●	●	●	●	●	●
420	4WD front axle with susp. "Terralock" semi power shift (see sect. 3 - 4)	●	●	●	●	●	●
425	4-control valve unit (see sect. 7-10)	●	●	●	●	●	●
431	112" long axle for cast disc (see sgr. 1.48.1/02)	●	●	●	●	●	●
431/1	112" long axle for cast disc (see sgr. 1.48.1/03)	●	●	●	●	●	●
431/2	112" long axle for cast disc (see sgr. 1.48.1/04)	●	●	●	●	●	●
431/3	112" long axle for steel disc (see sgr. 1.48.1/05)	●	●	●	●	●	●
431/4	112" long axle for steel disc (see sgr. 1.48.1/06)	●	●	●	●	●	●
431/5	112" long axle for steel disc (see sgr. 1.48.1/07)	●	●	●	●	●	●
436	Rice version for full power shift and semi power shift trans. (see sgr. 1.38.8)	●	●	●	●	●	●
436/1	Rice version for full power shift and semi power shift trans. (see sgr. 1.38.8/01)	●	●	●	●	●	●
436/2	Rice version for full power shift and semi power shift trans. (see sgr. 1.38.8/02)	●	●	●	●	●	●
437	98" long axle for cast disc (see sgr. 1.48.1/08)	●	●	●	●	●	●
437/1	98" long axle for cast disc (see sgr. 1.48.1/09)	●	●	●	●	●	●
437/2	98" long axle for cast disc (see sgr. 1.48.1/10)	●	●	●	●	●	●
437/3	98" long axle for steel disc (see sgr. 1.48.1/11)	●	●	●	●	●	●
437/4	98" long axle for steel disc (see sgr. 1.48.1/12)	●	●	●	●	●	●
438	External hub for twin wheels with steel rims (see sgr. 1.48.1/13)	●	●	●	●	●	●

MXM155 CASE IH TRACTOR (6/02- )

0.01.1(01) OPTIONAL EQUIPMENT

сылка	Номер детали	Кол-во	Описание

VARIANT CODE	DESCRIPTION	APPLICATION					
		MXM120	MXM130	MXM140	MXM155	MXM175	MXM190
438/1	External hub for twin wheels with steel rims (see sgr. 1.48.1/14)	●				●	●
440	Control valves joystick for loader (see sgr. 1.82.7/04-1.96.2/02)	●	●	●	●		
440/2	Control valves with joystick for loader with sprung cab (see sgr. 1.82.7/06-1.96.2/04)	●	●	●	●	●	●
448	Creepers for semi power shift w/suspension cab (see sgr. 1.32.3)	●	●	●	●	●	●
444	Control valves with joystick for front lift (see sect. 2-7-10)	●	●	●	●		
452	4WD front axle with brakes for terralock (see sect. 4)	●	●	●	●	●	●
452/1	4WD front axle with suspension, brakes, terralock S.P.S. (see sect. 2-4-5-10)	●	●	●	●	●	●
463	4WD front axle with suspension, full power shift (see sect. 2-4-10)	●	●	●	●	●	●
463/1	4WD front axle with suspension, brakes, terralock F.P.S. (see sect. 2-4-10)	●	●	●	●	●	●
470-471-472	Rear ballast for sheet steel discs (see sgr.1.49.6)			●	●		
470/1-471/1	Rear ballast for sheet steel discs (see sgr.1.49.6/01)	●	●				
484-496	Right tie rod and sprag with control valve with electronic control (see sect. 7-9-10)					●	●
497	Dynamic front fenders (width 620mm) (4WD) (see sgr. 1.87.4)	●	●	●	●	●	●
497/1	Dynamic front fenders (width 620mm) (4WD) for supersteer or susp. Front axle (see sgr. 1.87.4/01)	●	●	●	●	●	●
511	Flange type rear axle (see sgr.1.48.1/15)					●	●
511/1	Dynamic front fenders (width 480mm) (4WD) for supersteer or susp. Front axle (see sgr. 1.87.4/01)	●	●	●	●	●	●
518	4WD axle class 4 with terralock	●	●	●			
519	4WD axle class 4 with suspension and terralock	●	●	●			
520	4WD axle class 4 with suspension and terralock with full powershift	●	●	●			
569	Automatic hitch (with 1 additional jack) (see sgr.1.89.3)	●	●	●	●		
570	Full power shift trans. 18x6 (30Km/H) with clutch powershift (see sect. 3-7)					●	●
571	Full power shift trans. 19x6 (40Km/H) (see sect. 3-7)					●	●
575	Dynamic front fenders (width 480mm) (4WD) (see sgr. 1.87.4)	●	●	●	●	●	●
635	Cab support (see sgr. 1.92.6/02)	●	●	●	●	●	●
640	Hinged windshield (see sgr. 1.92.3)	●	●	●	●	●	●
714/1	Control valves with joystick for front lift with cab and suspension (see sect. 2-7-10)	●	●	●	●	●	●
718	Battery with 4 control valve with electronic control (see sect. 7-10)	●	●	●	●	●	●
723	4 control valve battery with joystick (see sect. 7-10)	●	●	●	●	●	●
742	Auto linkage stabilizers (see sgr. 1.89.9/04)	●	●	●	●	●	●
742/1	Automatic stabilizers for cab with suspension (1.89.9/05)					●	●
743	Radar unit Japan (see sgr.1.91.1/02)	●	●	●	●	●	●
743/1	Radar unit NHA (see sgr.1.91.1/03)	●	●	●	●	●	●
747	Digital instrument (see sgr. 1.91.0/01)	●	●	●	●	●	●
749	Radar unit UK (see sgr.1.91.1/04)	●	●	●	●	●	●
753	Radar for all countries except UK/NHA/Japan (see sgr.1.91.1/05)	●	●	●	●	●	●
759	Slow moving vehicle sign (see sgr. 1.99.3)	●	●	●	●	●	●
760	Lh dip headlamps (see sgr. 1.75.6)	●	●	●	●	●	●
762	Rotary beacom (see sgr. 1.92.762)	●	●	●	●	●	●
766	Application of work spot lights on exterior cab handle (see sgr. 1.91.3/02)	●	●	●	●	●	●
766/1	Application of work spot lights on midguards (see sgr. 1.91.3/03)	●	●	●	●	●	●
774	40 Amp front implement socket (see sgr. 1.91.7/04)	●	●	●	●	●	●
780-781	Lift and front P.T.O. (6-21 splines) "C.C.L.S." (see sect. 2-3-7-9-10)	●	●	●	●	●	●
783	Lift assist cylinder (see sgr. 1.82.6/02)	●	●				
783/1	RH lift assist cylinder for tractor w 1 lift assist cylinder (see sgr. 1.82.6/03)			●	●		
789	Front hydraulic lift for "C.C.L.S." (see sect. 2-3-7-10)	●	●	●	●	●	●
809	P.T.O. 540/1000 rpm (see sgr. 1.80.1/02)	●	●	●	●		
809/1	P.T.O. 540/1000 rpm (see sgr. 1.80.1/02)					●	●
815	Synchro P.T.O. for terralock (see sgr. 1.80.7/03-1.96.3/02)	●	●	●	●		
816	Guard power take-off (see sgr. 1.80.1-1.80.1/01)	●	●	●	●	●	●
817	Synchro P.T.O. for full power shift (see sgr. 1.80.7/03-1.96.3/02)			●	●		
819	Version without hydraulic lift (see sgr.1.21.0/01-1.97.0/01)					●	●
838	Outer PTO control mounted on mudguards (see sgr.1.91.1/10)	●	●	●	●	●	●
839	Sway-bar North America (see sgr.1.89.0/05)	●	●	●	●	●	●

MXM155 CASE IH TRACTOR (6/02- )

0.01.1(02) OPTIONAL EQUIPMENT

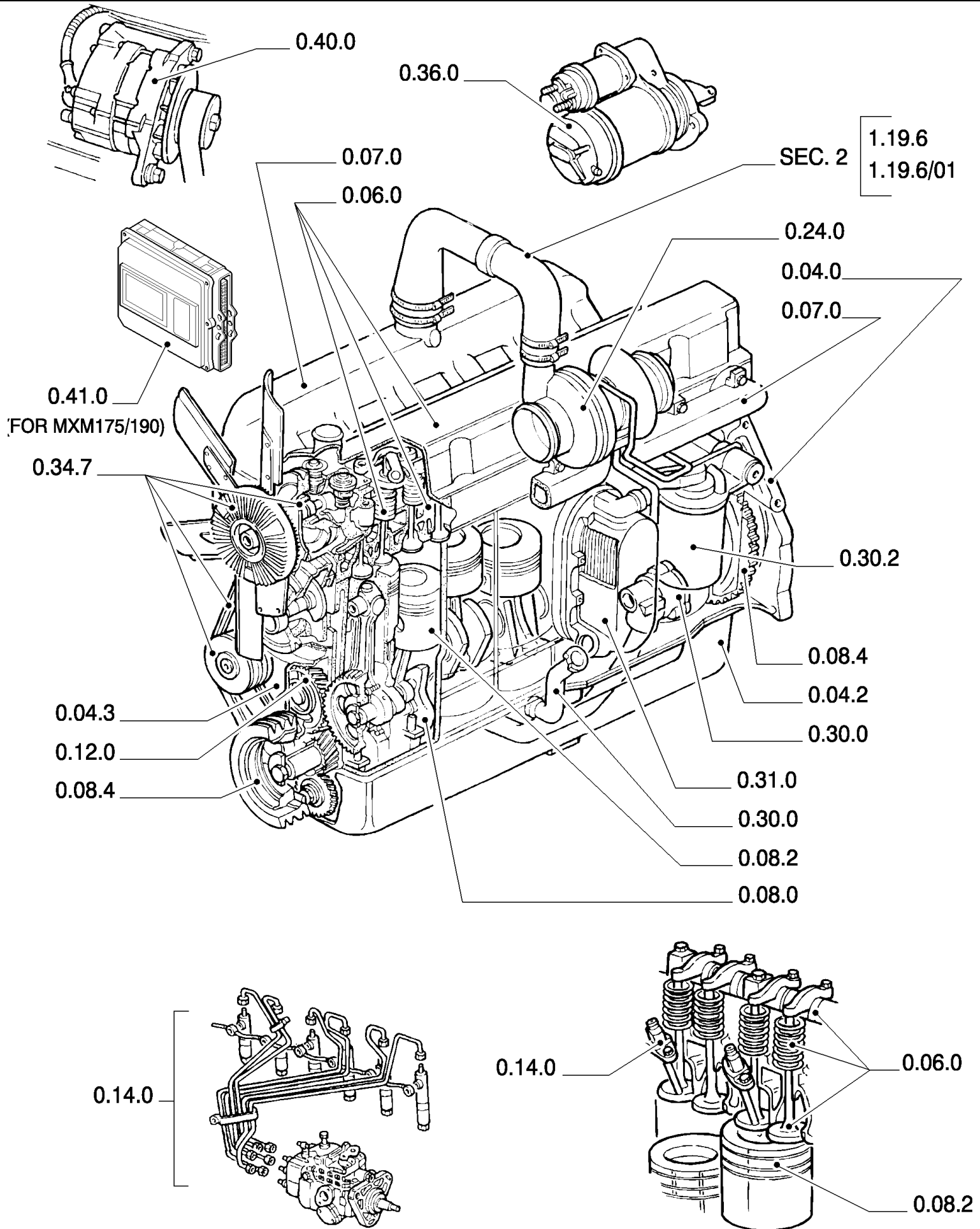
сылка	Номер детали	Кол-во	Описание

VARIANT CODE	DESCRIPTION	APPLICATION					
		MXM120	MXM130	MXM140	MXM155	MXM175	MXM190
853	Implement attachment device (2-3 class) for electronic lift (see sgr. 1.89.6/06)	●	●				
863	Double chock (see sgr. 1.99.1)	●	●	●	●		
863/1	Double chock (see sgr. 1.99.1/01)					●	●
865	Passenger seat (see sgr. 1.93.3/01)	●	●	●	●	●	●
869	Mudguards side shield (see sgr. 1.92.5/01)	●	●	●	●	●	●
879	Telescopic rear view mirror (see sgr. 1.93.6/01)	●	●	●	●	●	●
881	Implement carrier (telescopic arms) 2/3 cat. and shacke plates (see sgr. 1.89.6/03)	●	●	●	●		
881/1	Implement carrier (telescopic arms) 2/3 cat. and shacke plates (see sgr. 1.89.6/04)					●	●
887	Rotary hitch support on piton skids (see sgr. 1.89.5)	●	●	●	●	●	●
892	Pull hook (see sgr. 1.89.2)	●	●	●	●	●	●
895	Trailer brake lever support (for Italy) (see sgr. 1.89.4)	●	●	●	●	●	●
897	Automatic hitch, sliding support (see sgr.1.89.5/01)	●	●	●	●	●	●
898	Automatic hitch (with 2 additional jacks) (see sgr.1.89.3/01)			●	●		
898/1	Automatic hitch (without additional jacks) (see sgr.1.89.3/02)	●	●				
898/2	Automatic hitch (with 2 additional jacks) (see sgr.1.89.3/03)					●	●
899	Linkage drawbar (see sgr. 1.89.6-1.89.6/02)	●	●	●	●	●	●
900	Hydraulic adjustments of right tie-rod and third point link for closed "CCLS" centre (see sect.6-9-10)	●	●	●	●	●	●
907	Drawbar for sliding support (see sgr. 1.89.0)	●	●	●	●	●	●
910	Two-bar with rollers (see sgr. 1.89.0/01)	●	●	●	●	●	●
911	Implement carrier (telescopic arms) anti schake plates (see sgr. 1.89.6/05-1.89.9/03)	●	●				
912	Sway-bar Europe (see sgr. 1.89.0/02)	●	●	●	●	●	●
913	Drawbar (29 mm) for Italy (see sgr. 1.89.0/03)	●	●	●	●	●	●
914	Sway-bar North America (see sgr. 1.89.0/04)	●	●	●	●	●	●
926-928	Sliding hitch without draw-bar (see sgr. 1.89.1)	●	●	●	●	●	●
932	Two-bar (Italy) for sliding support (see sgr. 1.89.1/01)	●	●	●	●	●	●
946	Auto linkage stabilizers (see sgr. 1.89.9/04)	●	●	●	●		
947	Two-bar category "D3" for sliding support (see sgr. 1.89.1/02)	●	●	●	●	●	●
963	Seat air deluxe with belt (see sgr. 1.93.3)	●	●	●	●	●	●
964	Deluxe air seat with reeling (see sgr. 1.93.3)	●	●	●	●	●	●
965	Licence plate lamp and support, mounting on mudguard (see sgr. 1.98.3/1)	●	●	●	●	●	●
966	Licence plate lamp and support, mounting on cab roof (see sgr. 1.98.3/2)	●	●	●	●	●	●
996	Set of tools (see Sgr. 1.99.2)	●	●	●	●	●	●

MXM155 CASE IH TRACTOR (6/02- )

0.01.1(03) OPTIONAL EQUIPMENT

сылка	Номер детали	Кол-во	Описание



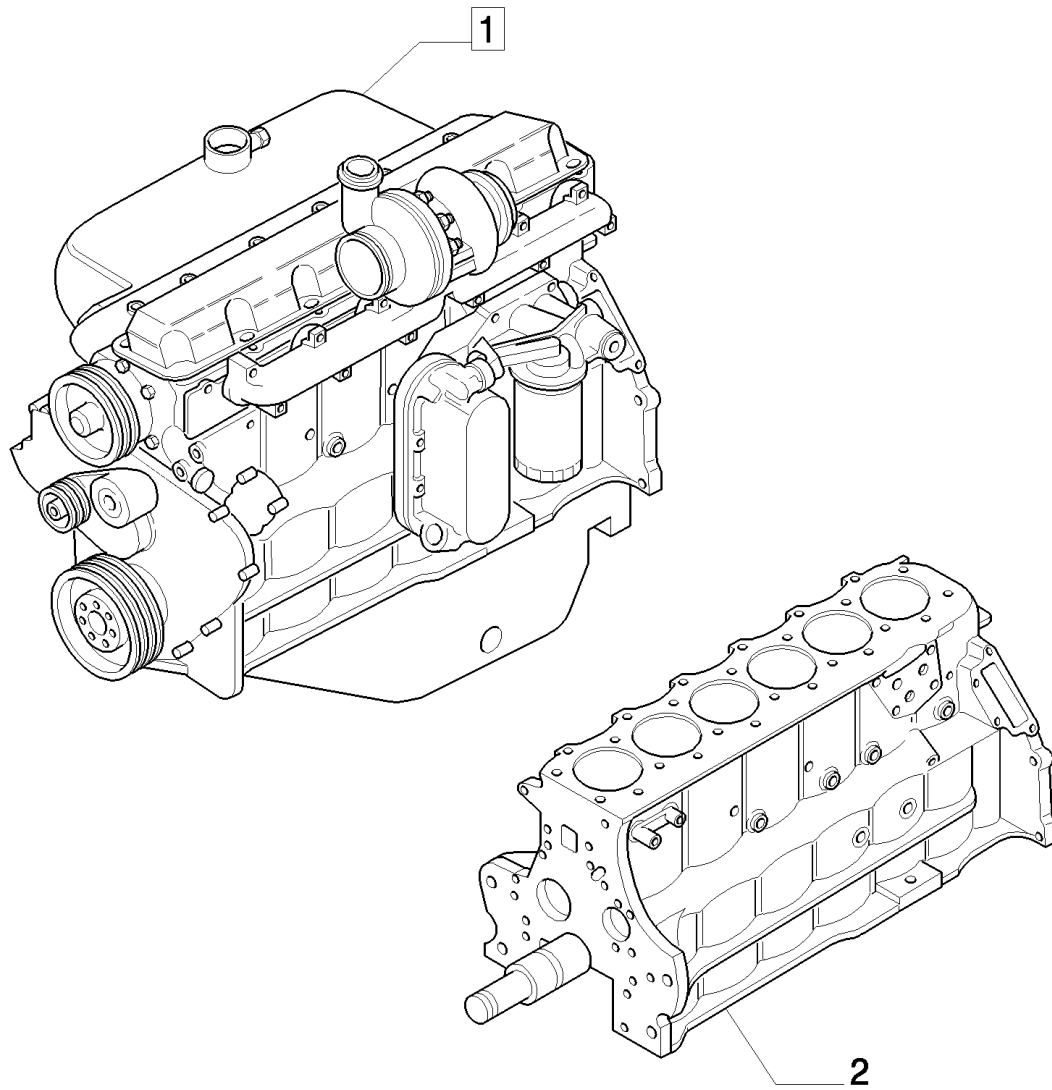
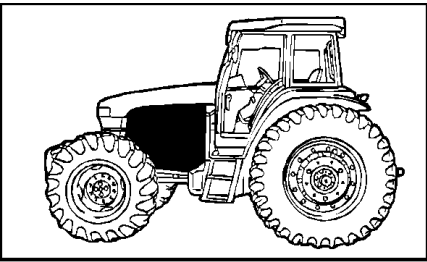
MXM155 CASE IH TRACTOR (6/02- )

0.02.0 SEC. 01 - ENGINE

сылка	Номер детали	Кол-во	Описание



0.02.1 ENGINE ASSY

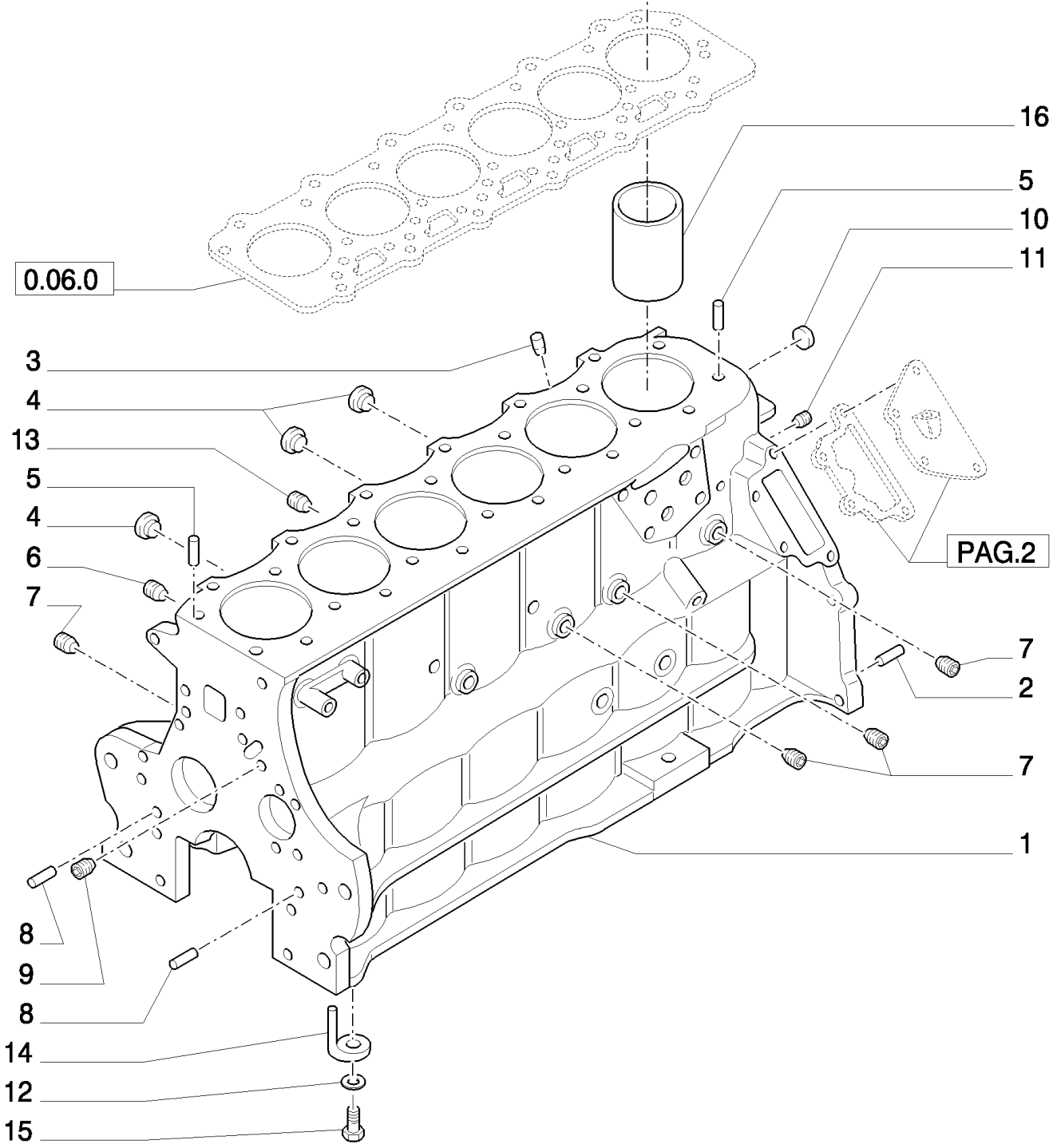
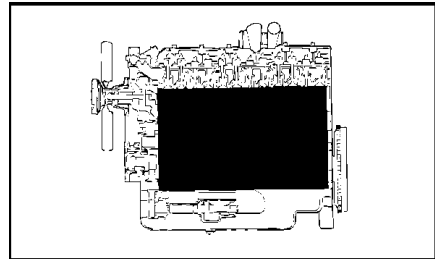


## MXM155 CASE IH TRACTOR (6/02- )

## 0.02.1 ENGINE ASSY

сылка	Номер детали	Кол-во	Описание
1	87802405	1	ENGINE, MXM120
1	87802404	1	ENGINE, MXM130
1	87802403	1	ENGINE, MXM140
1	87802402	1	ENGINE, MXM155
1	87803352	1	ENGINE, MXM175
1	87803351	1	ENGINE, MXM190
2	87802648	1	ENGINE, SHORT, MXM120, MXM130
2	87802555	1	ENGINE, SHORT, MXM140, MXM155
2	87802556	1	ENGINE, SHORT, MXM175, MXM190, -C4874
2	87803390	1	ENGINE, SHORT, MXM175, MXM190, D4874-

D4874 After Date 01/10/03



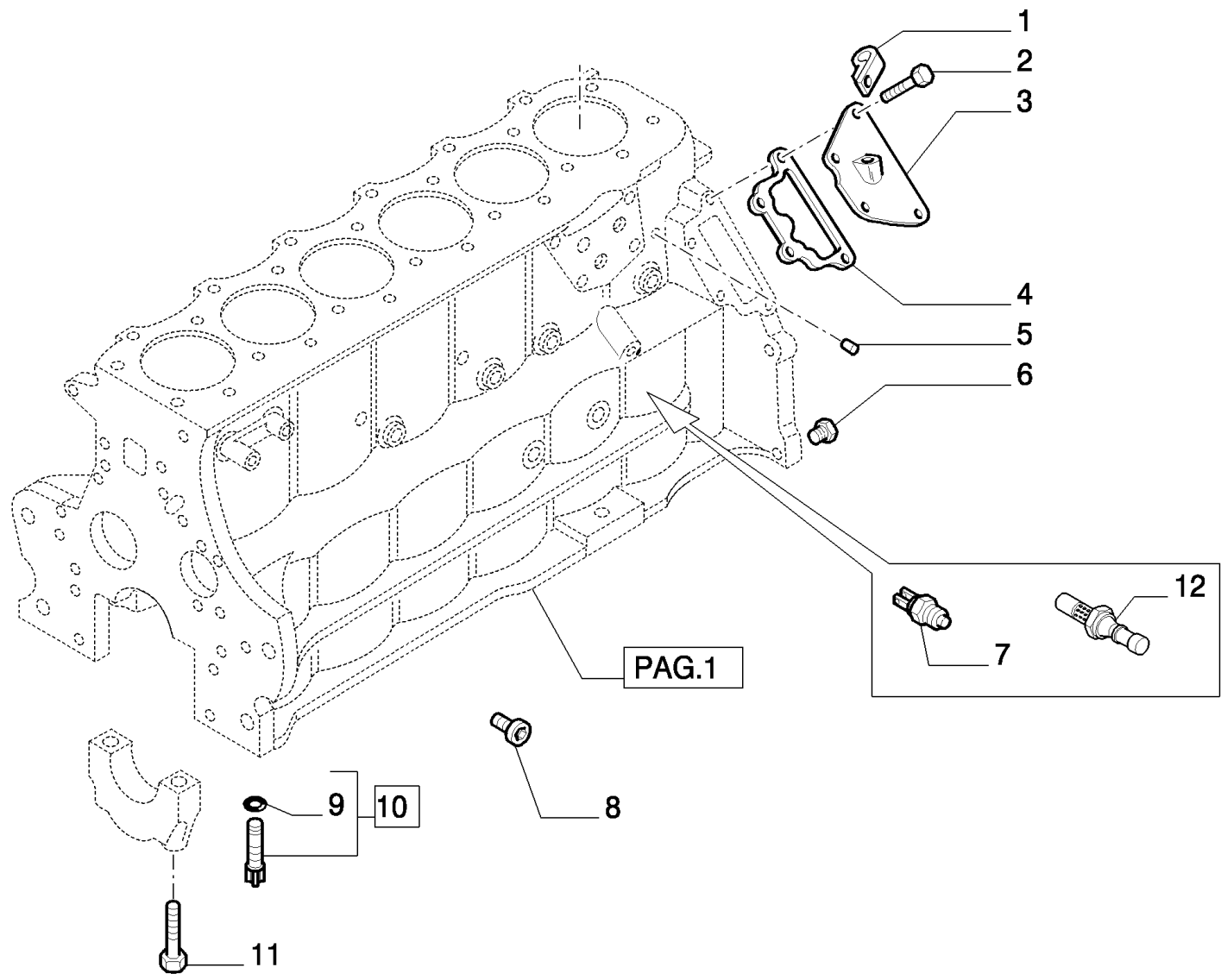
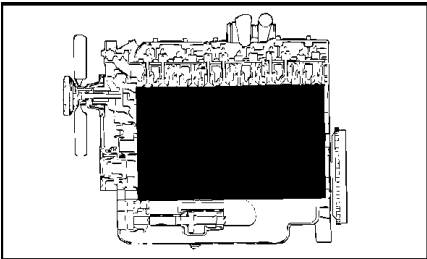
## MXM155 CASE IH TRACTOR (6/02- )

## 0.04.0(01) CYLINDER BLOCK &amp; RELATED PARTS

сылка	Номер детали	Кол-во	Описание
1	87802609	1	CYLINDER BLOCK, MXM120, MXM130
1	87802528	1	CYLINDER BLOCK, MXM140, MXM155
1	87802606	1	CYLINDER BLOCK, MXM175, MXM190, -C4874
1	87802529	1	CYLINDER BLOCK, MXM175, MXM190, D4874-
2	86505157	2	DOWEL, 1/2" x 1",
3	F2NN6A828AA	1	PLUG,
4	83957023	3	PLUG, Cup, 1.50"
4	83957024	AR	PLUG, 1.56"
5	83960218	2	DOWEL,
6	81868410	1	PLUG,
7	81868411	4	PLUG,
8	81808472	2	DOWEL, 3/8" x 1-1/8"
9	83956679	1	PLUG, 0.824
10	83957025	1	PLUG, 1.75", MXM120, MXM130
10	83957026	AR	PLUG, 1.81", MXM120, MXM130
11	82851790	1	PLUG,
12	83958242	6	O-RING, , D4874-
13	82850225	1	PLUG, MXM175, MXM190
14	87840357	6	NOZZLE, LUB. OIL JET, , D4874-
15	82934465	6	SCREW, , D4874-
16	F0NN6055AA	6	SLEEVE,

D4874 After Date 01/10/03

0.04.0(02) CYLINDER BLOCK & RELATED PARTS

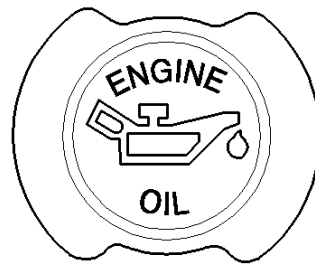
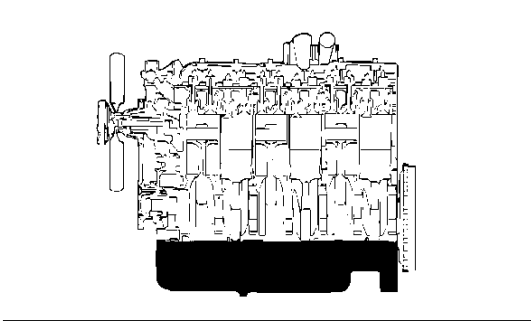


## MXM155 CASE IH TRACTOR (6/02- )

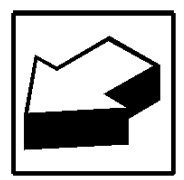
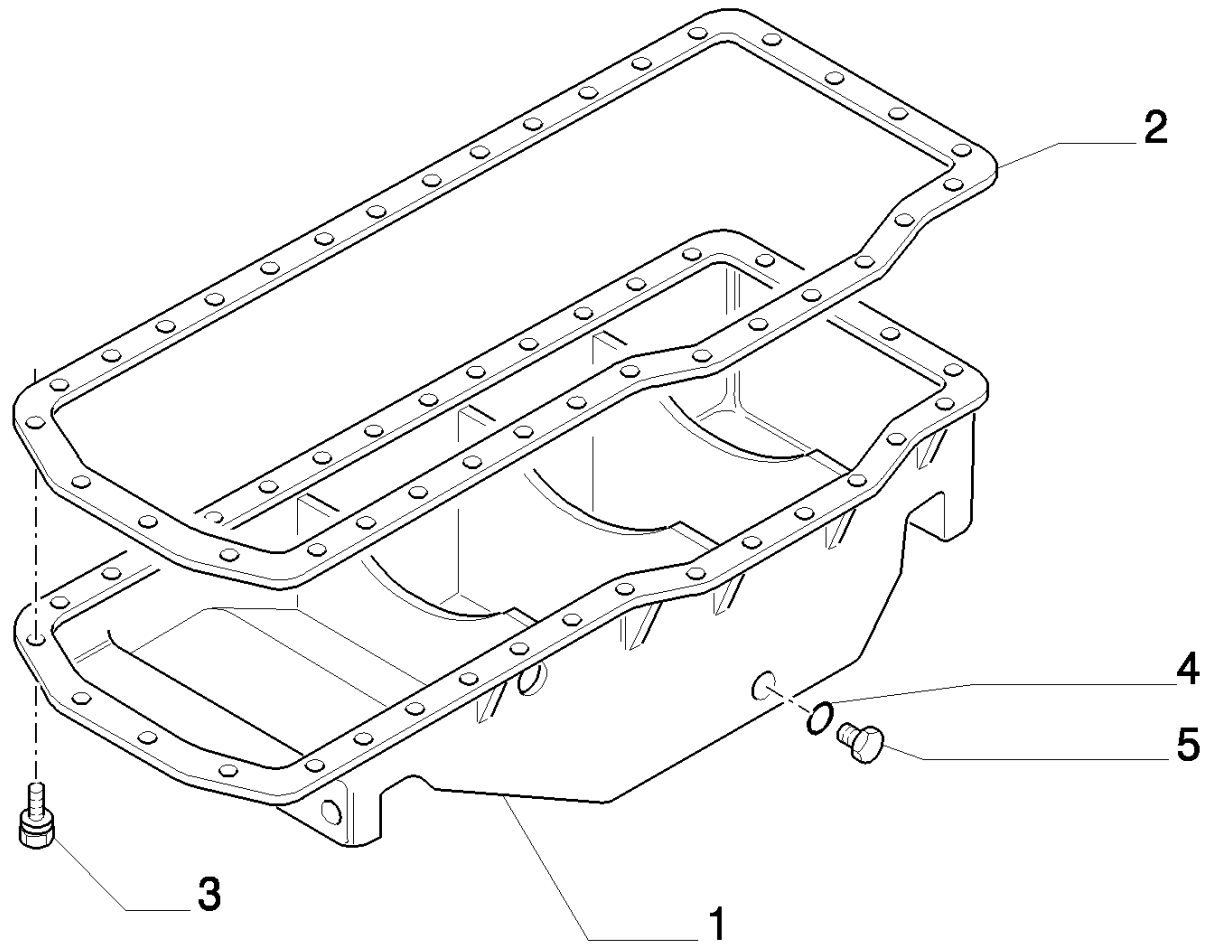
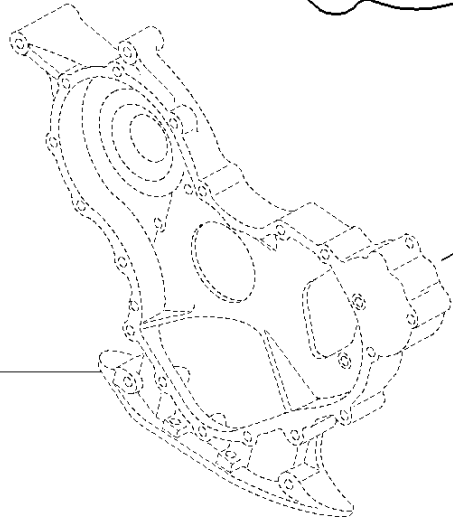
## 0.04.0(02) CYLINDER BLOCK &amp; RELATED PARTS

сылка	Номер детали	Кол-во	Описание
1	81822024	1	CLIP,
2	83925618	4	BOLT, HS, G8, 3/8"-16 x 5/8"
3	81876726	1	COVER,
4	81822547	1	GASKET,
5	82851791	1	PLUG,
6	83956680	1	PLUG, HS, 1/2"-14 x .42"
7	82028130	1	SWITCH, PRESSURE, Oil, Pressure, MXM120, MXM130, MXM140, MXM155, MXM175, MXM190, W/Analog Instrument
7	87344173	1	SENDER UNIT, Oil, Pressure, MXM175, MXM190, W/Digital Instrument
8	87800929	1	PLUG,
9	83958242	6	O-RING, .156" ID x .070" Thk
10	81879050	6	NOZZLE, LUB. OIL JET,
11	87802279	14	BOLT,
12	87533792	1	SWITCH, PRESSURE, Oil, W/Digital Instrument

0.04.2 OIL SUMP & RELATED PARTS



0.04.3



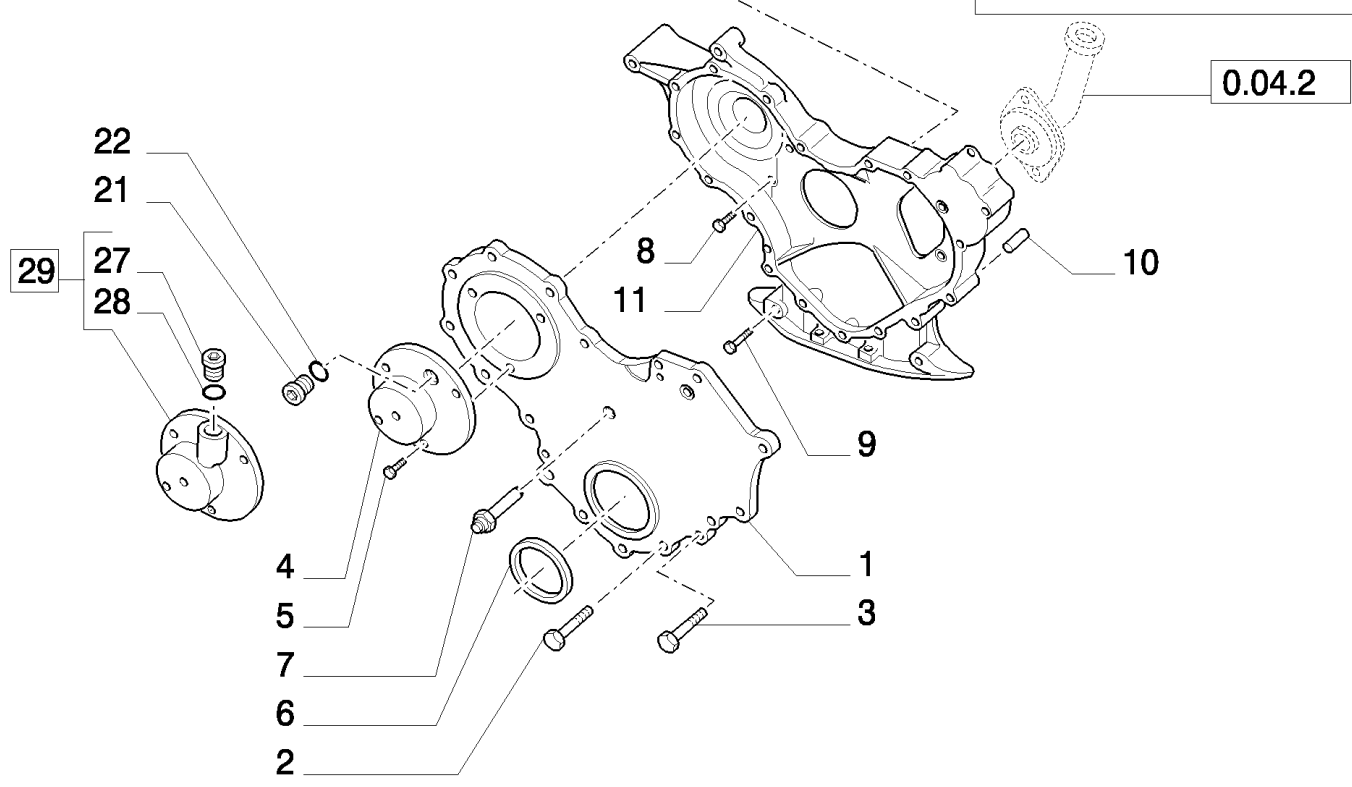
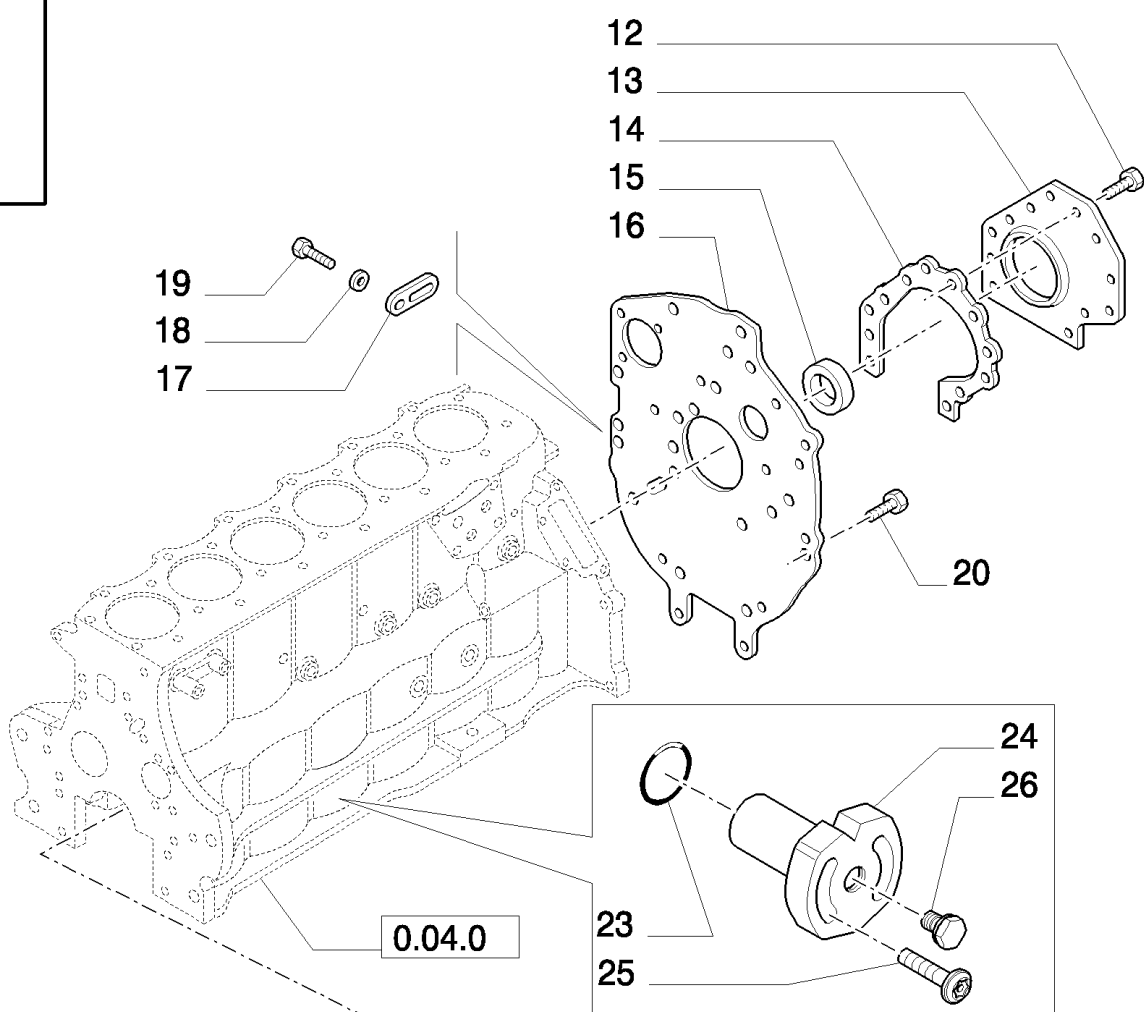
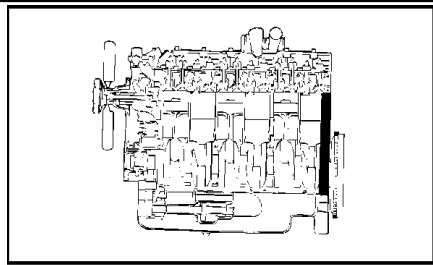
## MXM155 CASE IH TRACTOR (6/02- )

## 0.04.2 OIL SUMP &amp; RELATED PARTS

сылка	Номер детали	Кол-во	Описание
1	87802502	1	PAN, ENGINE OIL,
2	87800945	1	GASKET,
3	87840565	32	SCREW, 3/8"-16 x 1-1/2"
4	81822148	1	GASKET,
5	81822147	1	PLUG,
6	87761857	1	COVER,
7	83925618	2	BOLT, HS, G8, 3/8"-16 x 5/8"
8	87802571	1	TUBE,
9	80510137	1	O-RING, 3.2.4" ID x .139" Thk



0.04.3 ENGINE COVERS & GASKETS



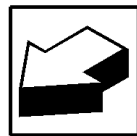
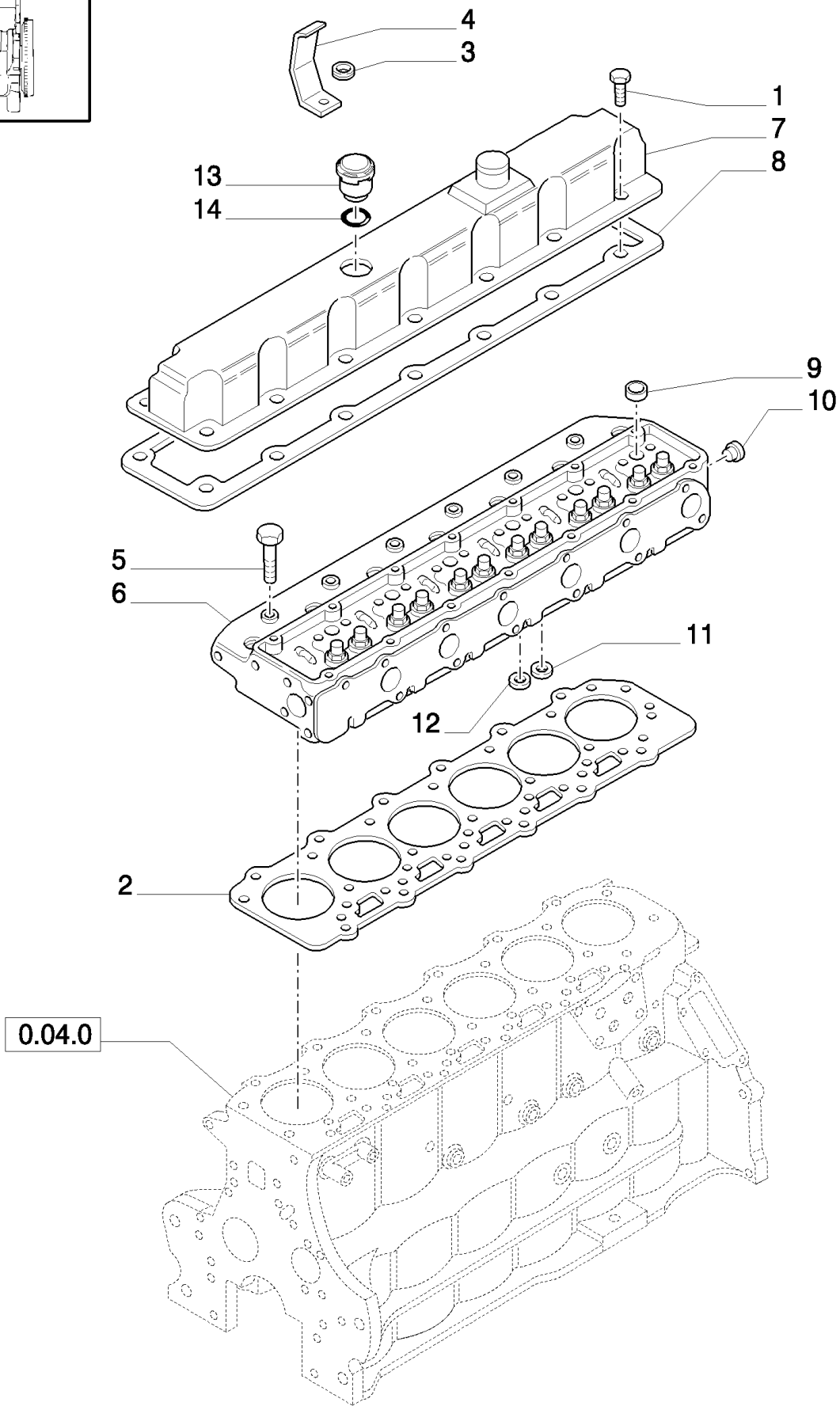
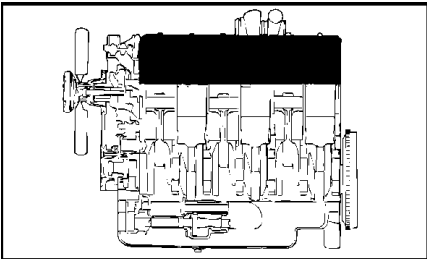
## MXM155 CASE IH TRACTOR (6/02- )

## 0.04.3 ENGINE COVERS &amp; GASKETS

сылка	Номер детали	Кол-во	Описание
1	87802584	1	COVER,
2	81868740	9	BOLT, Flg Hd, 3/8"-16 x 1-1/4"
3	82850968	7	SCREW, 3/8"-16 x 3-1/4"
4	87801961	1	COVER, Includes 21, 22, BSN ACM262152
5	83995273	3	SCREW, Flg Hd, G5, 3/8"-16 x .88"
6	87301595	1	SEAL,
7	81875775	1	POINTER, MXM120, MXM130, MXM140, MXM155
8	83958244	4	SCREW, Cap, HH, G5, Self-Locking, 5/16"-18 x 7/8"
9	81876948	2	BOLT, Flg Hd, G5, 3/8"-16 x 2"
10	81808472	2	DOWEL, 3/8" x 1-1/8"
11	87801141	1	COVER, MXM120, MXM130, MXM140, MXM155
11	87802377	1	COVER, MXM175, MXM190
12	81876604	12	BOLT, Hex Flg Hd, G5, 5/16"-18 x .62"
13	87801621	1	PLATE,
14	87801610	1	GASKET,
15	87802757	1	SEAL,
16	82004927	2	PLATE,
17	81804217	1	COVER,
18	80080681	1	WASHER, LOCK, 5/16"
19	16043224	1	BOLT, Hex, M8 x 16, 8.8, Full Thd,
20	81876945	1	BOLT, Hex Flg Hd, G5, 3/8"-16 x 3/4"
21	10300714	1	PLUG, M16 x 1.5 x 14,
22	10281385	1	GASKET, 16.3 x 22 x 0.22
23	86629540	1	O-RING, -214, 70 Duro, .984" ID x .139" Thk,
24	87802089	1	BUSHING,
25	87802615	2	SCREW,
26	83999982	1	PLUG,
27	10119311	1	PLUG, M16 x 1.5 x 12, CI5.8, , ASN ACM262153
28	14437885	1	O-RING, 13.3MM ID x 2.4 Thk, , ASN ACM262153
29	87348111	1	COVER, , ASN ACM262153

D5333 Serial N.ACM262153

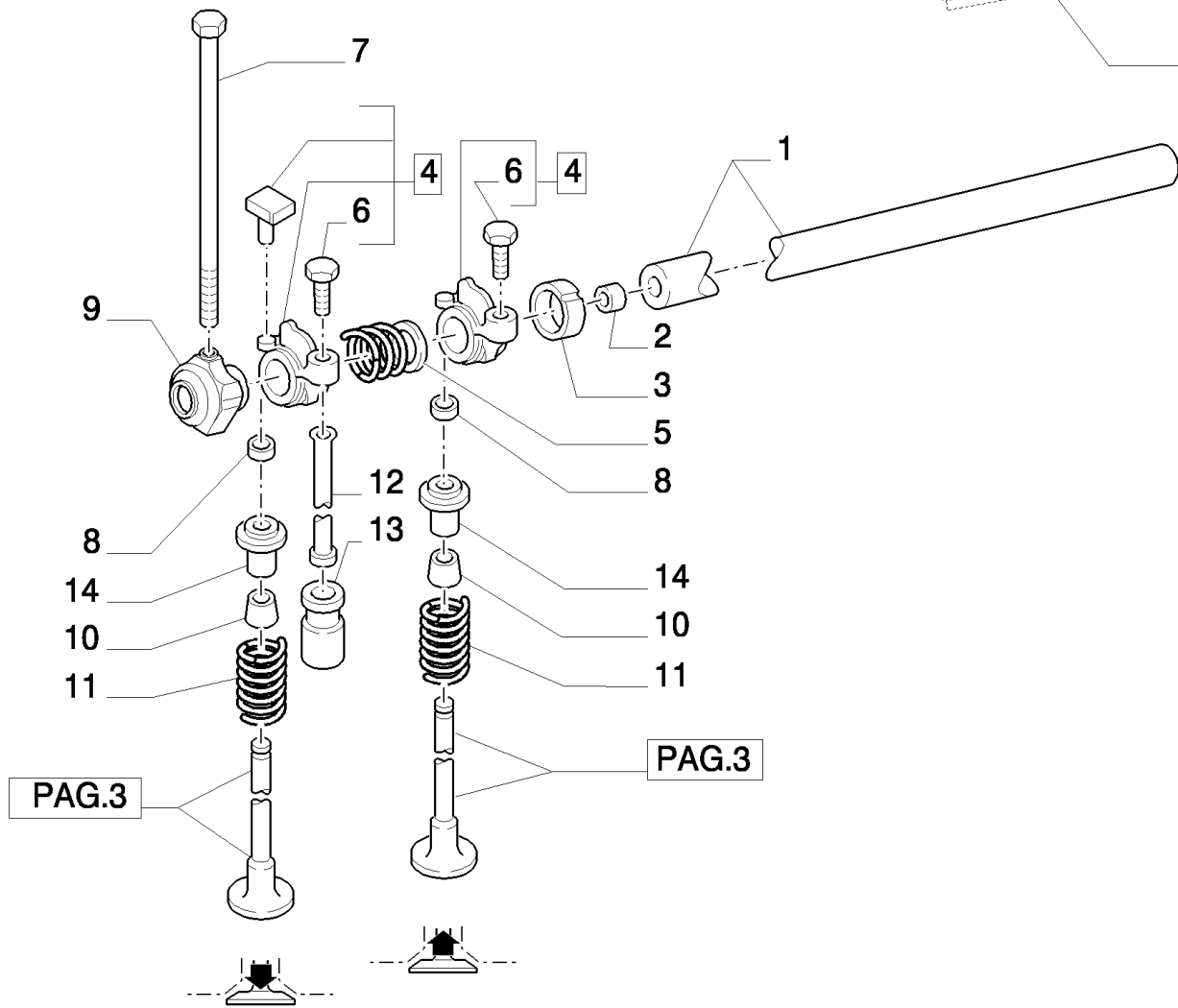
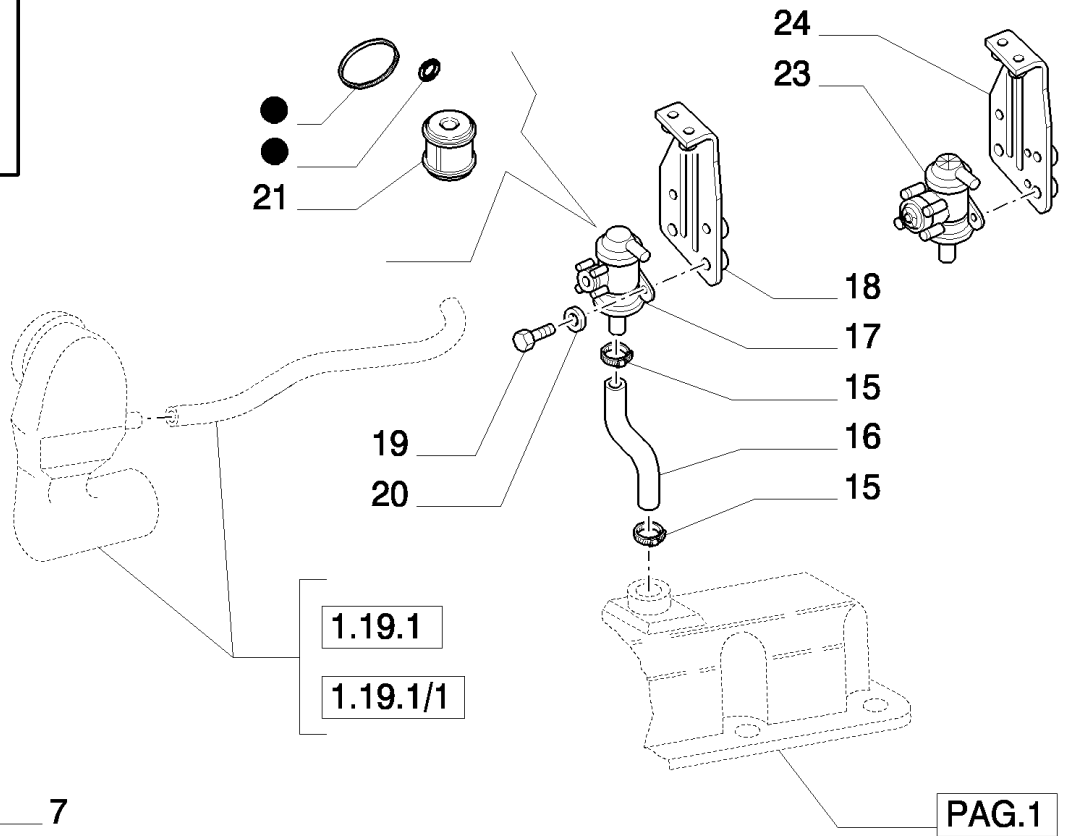
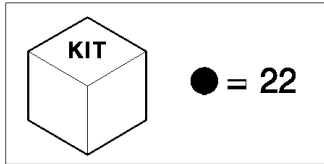
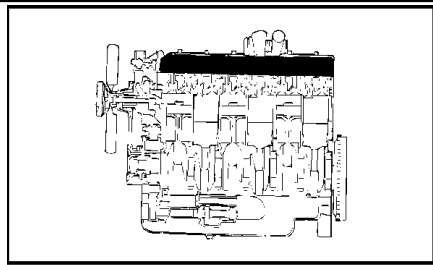
0.06.0(01) CYLINDER HEAD & RELATED PARTS



## MXM155 CASE IH TRACTOR (6/02- )

## 0.06.0(01) CYLINDER HEAD &amp; RELATED PARTS

сылка	Номер детали	Кол-во	Описание
1	83949109	14	BOLT, Flg Hd, 5/16"-18 x 5/8"
2	87801753	1	GASKET, CYLINDER HEAD, MXM140, MXM155, MXM175, MXM190
2	87801752	1	GASKET, CYLINDER HEAD, MXM120, MXM130
3	83925582	3	WASHER, 11/32"
4	82007695	3	CLIP,
5	87802206	19	BOLT,
6	87802943	1	CYLINDER HEAD, MXM120, MXM130, MXM140, MXM155
6	87802525	1	CYLINDER HEAD, MXM175, MXM190
7	87802611	1	COVER, VALVE,
8	83976376	1	GASKET,
9	83957021	11	PLUG, 1.13"
9	83957022	AR	PLUG, 1.18"
10	83957025	1	PLUG, 1.75"
10	83957026	AR	PLUG, 1.81"
11	81876756	6	INSERT, Standard, Intake, MXM120, MXM130, MXM140, MXM155
11	81876763	AR	INSERT, -0.254/Intake, MXM120, MXM130, MXM140, MXM155
11	81876768	AR	INSERT, -0.508/Intake, MXM120, MXM130, MXM140, MXM155
11	87801981	6	INSERT, Standard Intake, MXM175, MXM190
11	87802015	AR	INSERT, 0.25, Intake, MXM175, MXM190
11	87802016	AR	INSERT, 0.51, Intake, MXM175, MXM190
12	81865194	6	INSERT, Standard, Exhaust
12	81865195	AR	INSERT, -0.254/Exhaust
12	81865196	AR	INSERT, 0.508/Exhaust
13	87802638	1	VALVE, PRESSURE RELIEF,
14	83958239	1	GROMMET,

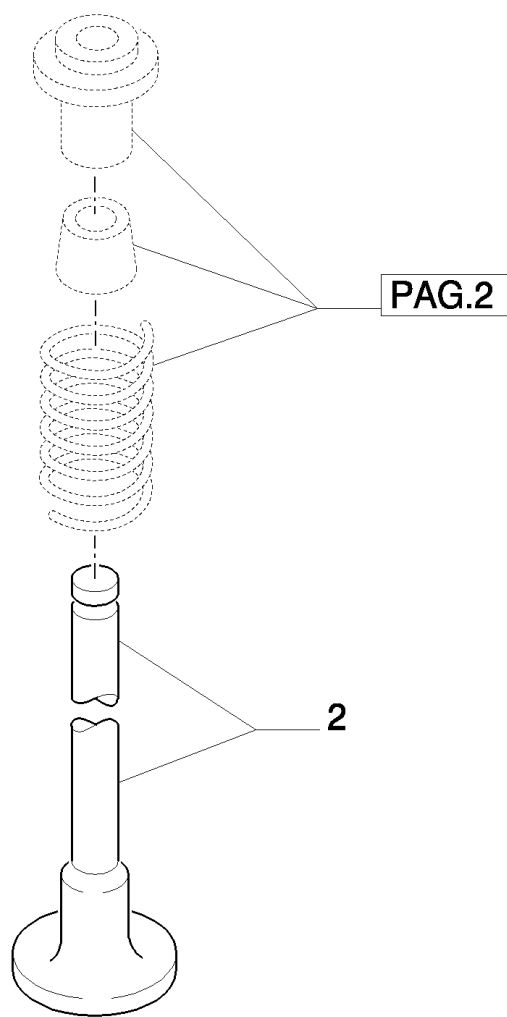
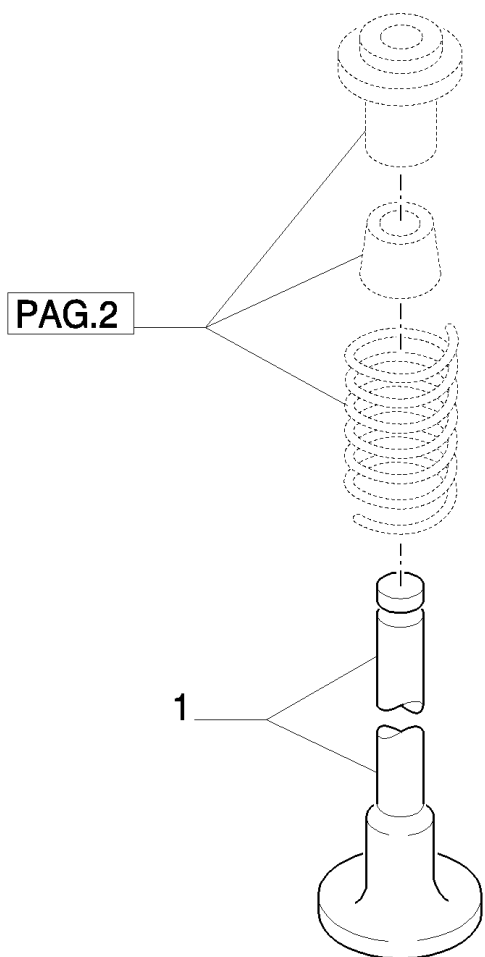
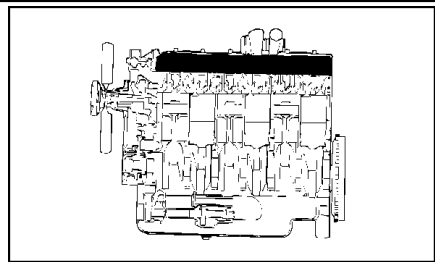


## MXM155 CASE IH TRACTOR (6/02- )

## 0.06.0(02) CYLINDER HEAD, ROCKER ARM, VALVES &amp; RELATED PARTS

сылка	Номер детали	Кол-во	Описание
1	83903587	1	SHAFT,
2	83417040	2	PLUG,
3	81818731	6	SPACER,
4	87802660	12	ROCKER ARM,
5	81804341	6	SPRING,
6	87801302	12	SCREW,
7	87802207	7	BOLT,
8	87802301	24	BUSHING,
9	83903589	7	SUPPORT,
10	87801992	12	SEAL,
11	83999742	12	SPRING,
12	87802513	12	ROD, PUSH,
13	87802716	12	TAPPET,
14	87802300	12	RETAINER,
15	82039347	2	CLAMP, HOSE,
16	87360371	1	HOSE, MXM120, MXM130, MXM140, MXM155
16	87519518	1	HOSE, MXM175, MXM190
17	87803810	1	BODY, Includes 21, BSN ACM264533
17	87342730	1	OIL SEPARATOR, Includes 21, BTW ACM264534 & ACM264533
18	87802510	1	BRACKET, , BSN ACM264533
19	11106221	4	BOLT, Hex, M10 x 25, 8.8, Full Thd,
20	14496621	4	WASHER, M10 x 21 x 2,
21	87802519	1	FILTER, ELEMENT,
22	87803811	1	KIT, SEALS,
23	87366042	1	BREATHER, , ASN ACM264534
24	87365118	1	BRACKET, , ASN ACM264534

D5144 Serial N°ACM264534 D5252 Serial N.ACM264534



MXM155 CASE IH TRACTOR (6/02- )

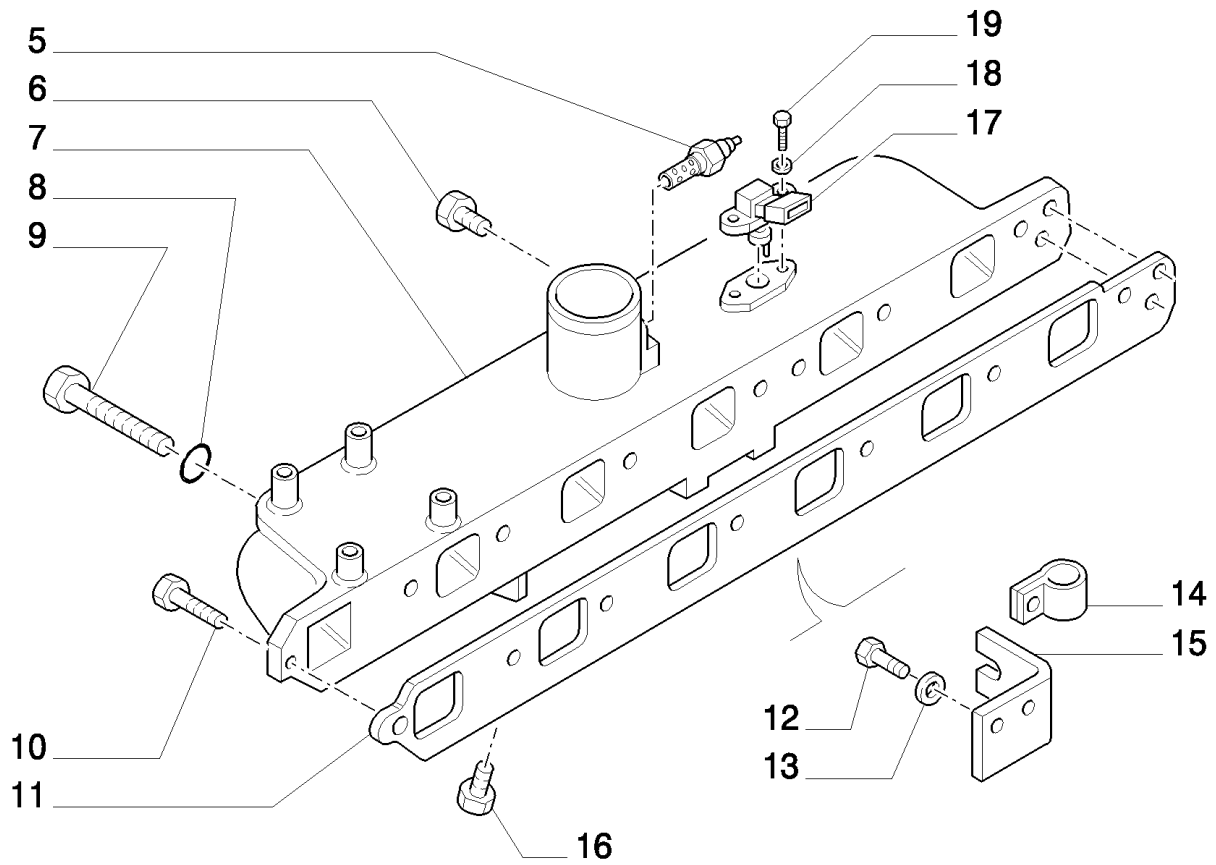
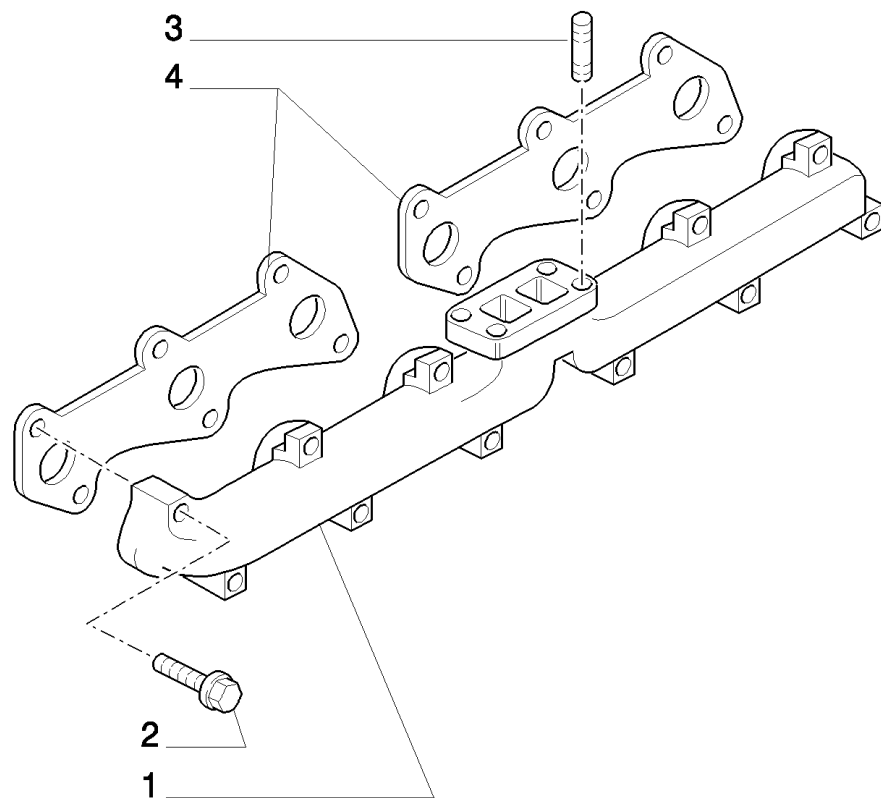
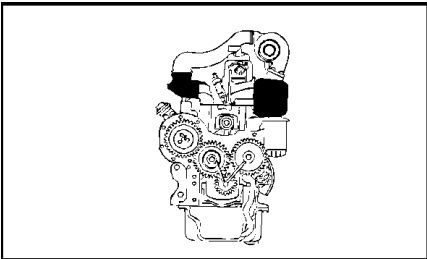
0.06.0(03) CYLINDER HEAD, ROCKER ARM, VALVES & RELATED PARTS

сылка	Номер детали	Кол-во	Описание
1	87802256	6	VALVE, ENGINE, INLET, STD,
1	87802257	6	VALVE, INLET, OVERSIZE, , BSN 09/02/03
2	87802258	6	VALVE, ENG EXHAUST, STD,
2	87802259	6	VALVE, EXHAUST, OVERSIZE, , BSN 09/02/03

C4904 After Date 09/02/03



0.07.0 SUCTION AND EXHAUST DUCT

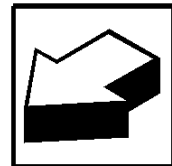
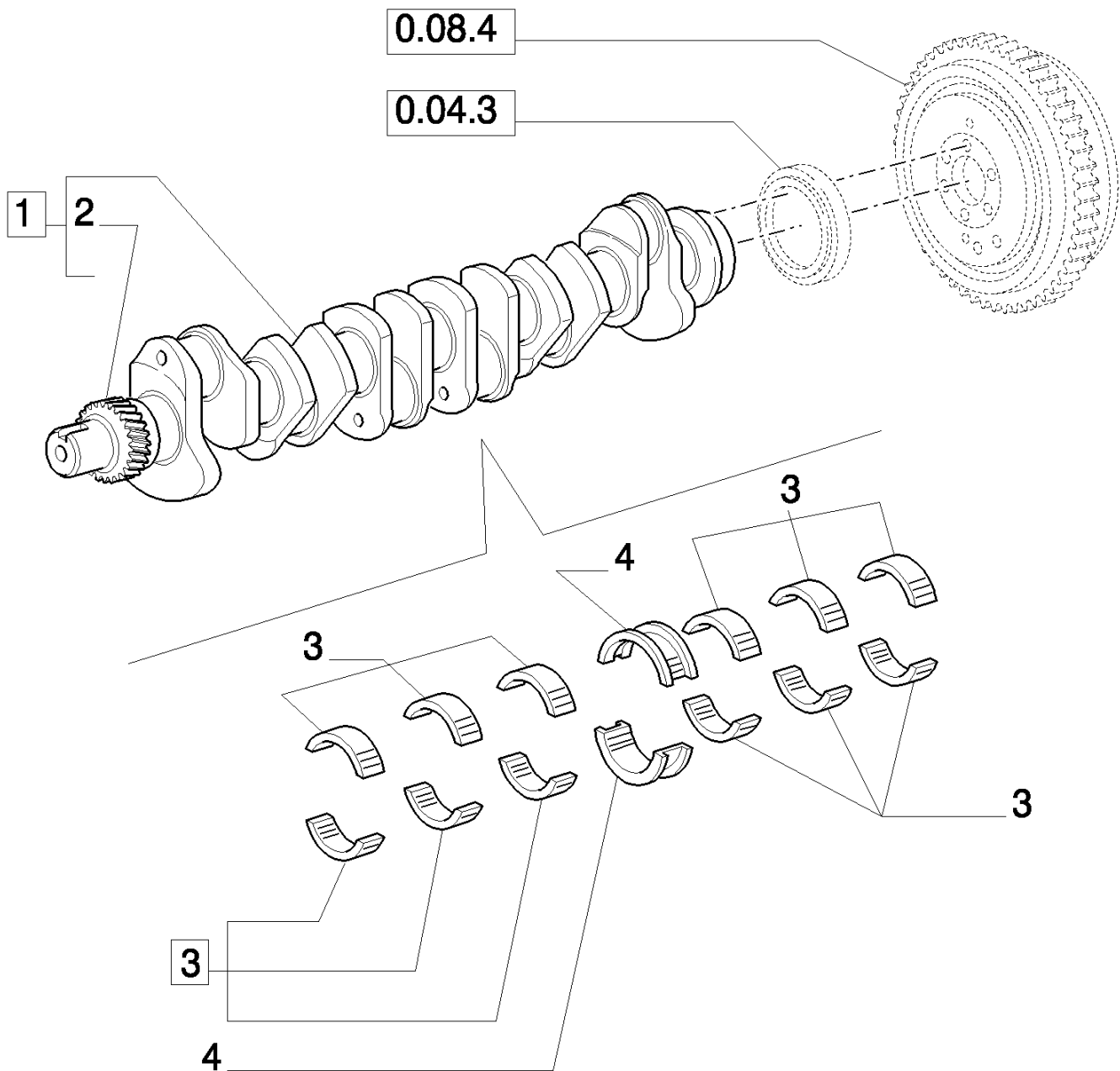
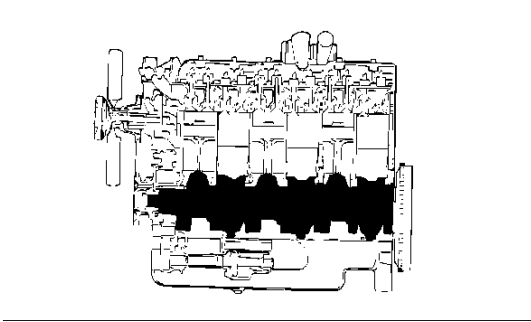


## MXM155 CASE IH TRACTOR (6/02- )

## 0.07.0 SUCTION AND EXHAUST DUCT

сылка	Номер детали	Кол-во	Описание
1	87802374	1	MANIFOLD, EXHAUST,
2	87802145	12	BOLT,
3	81876815	4	STUD,
4	87801658	2	GASKET, MANIFOLD,
5	87800843	1	PLUG, Manifold Heater
6	82851791	1	PLUG,
7	87803273	1	MANIFOLD, INLET,
8	81868473	5	O-RING, .375" ID x .070" Thk
9	81868474	5	BOLT, Flg Hd, 3/8"-16 x 5"
10	81868740	2	BOLT, Flg Hd, 3/8"-16 x 1-1/4"
10	83958605	1	BOLT, Flg Hd, 3/8"-16 x 1-1/2"
11	87840759	1	GASKET,
12	16043424	2	SCREW, Hex, M8 x 20, 8.8, Full Thd,
13	10516674	2	WASHER, LOCK, 5/16",
14	81822024	2	CLIP,
15	82008659	1	BRACKET,
16	80088071	1	PLUG,
17	82017873	1	SENSOR, Boost Pressure Air Temp.
18	14496301	2	WASHER, M5 x 10
19	10977821	2	BOLT, Hex, M5 x 16, 8.8, Full Thd,

0.08.0(01) CRANKSHAFT & RELATED PARTS

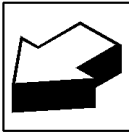
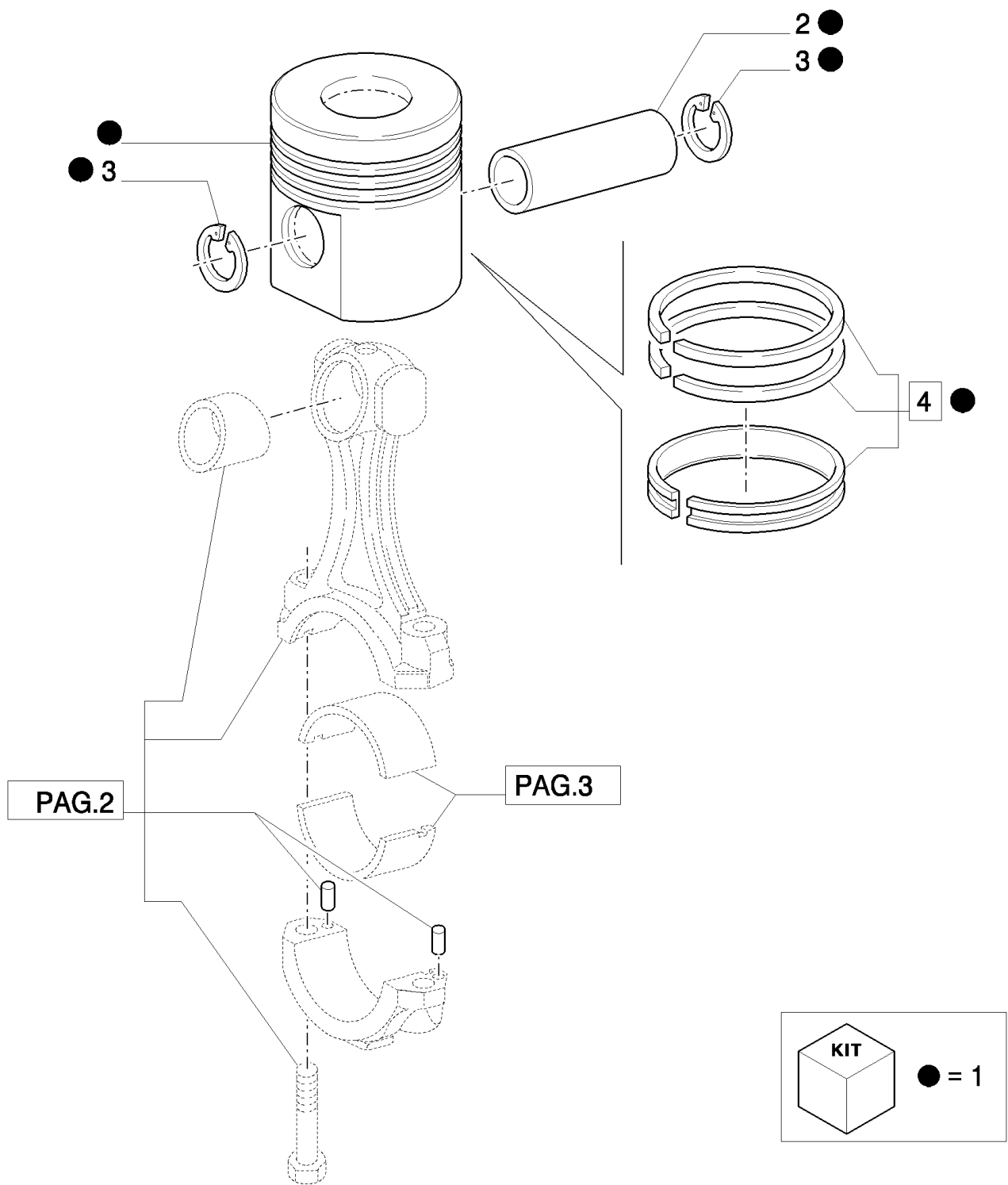
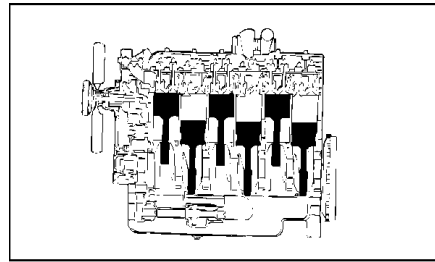


## MXM155 CASE IH TRACTOR (6/02- )

## 0.08.0(01) CRANKSHAFT &amp; RELATED PARTS

сылка	Номер детали	Кол-во	Описание
1	87802214	1	CRANKSHAFT,
2	83993159	1	GEAR,
3	87790260	6	SET, THRUST WASHERS (STD),
3	87790261	AR	SET, THRUST WASHERS+0.508, 0.002" U/S
3	87790262	AR	SET, THRUST WASHERS+0.254, 0.010" U/S
3	87790263	AR	SET, THRUST WASHERS+0.508, 0.020" U/S
3	87790264	AR	SET, 0.030" U/S
3	87790265	AR	SET, THRUST WASHERS+0.102, 0.040" U/S
4	87790266	1	SET OF MAIN BRGS.STD,
4	87790267	AR	BEARING LINER, 0.002" U/S
4	87790268	AR	SET OF MAIN BRGS -0.254, 0.010" U/S
4	87790269	AR	SET OF MAIN BRGS -0.508, 0.020" U/S
4	87790270	AR	SET OF MAIN BRGS -0.762, 0.030" U/S
4	87790271	AR	SET OF MAIN BRGS -1.016, 0.040" U/S

0.08.2(01) PISTON & CONNECTING ROD

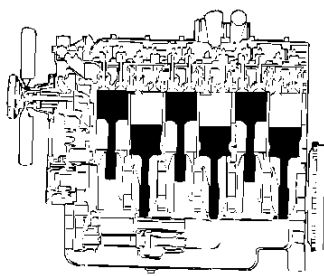


MXM155 CASE IH TRACTOR (6/02- )

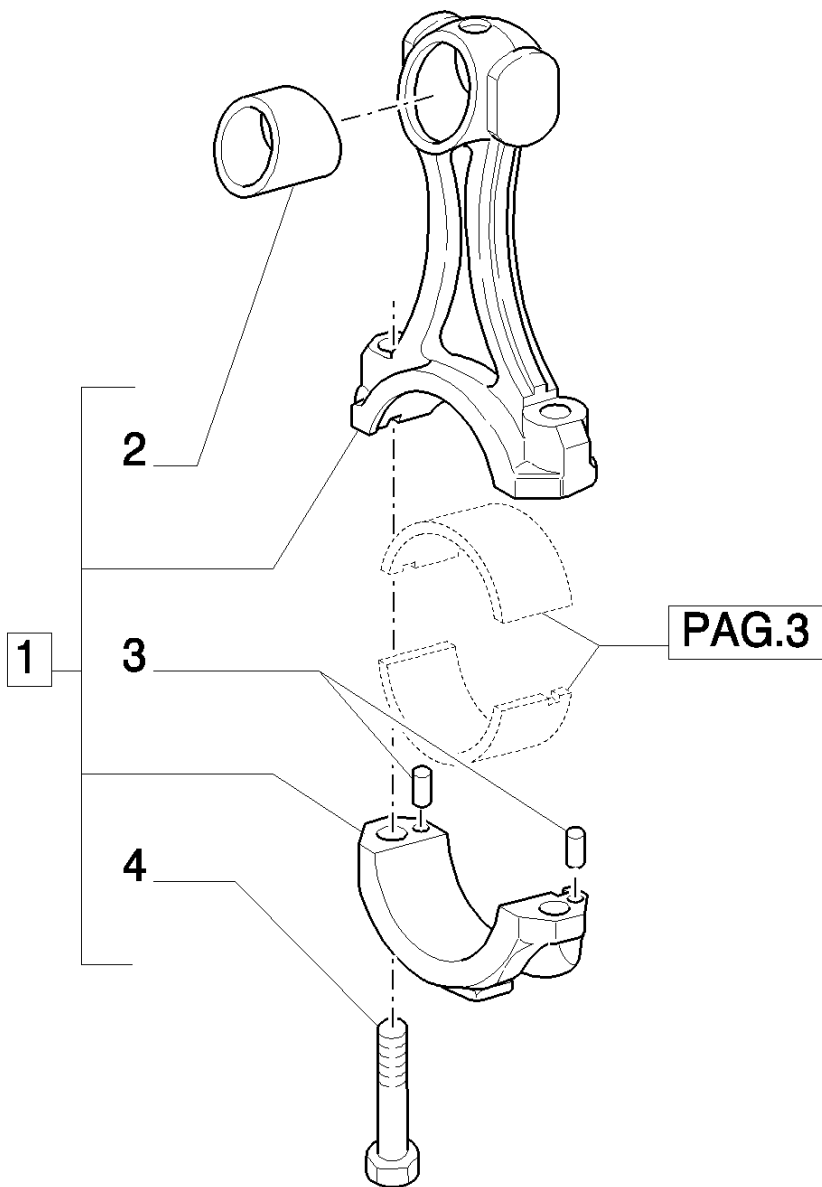
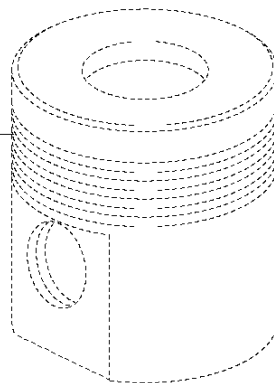
0.08.2(01) PISTON & CONNECTING ROD

сылка	Номер детали	Кол-во	Описание
1	87802672	6	KIT, PISTON & RINGS, Std.
2	87801741	6	PIN, PISTON,
3	271429	12	RING, SNAP, 1.625", Int, #162,
4	87802835	6	KIT, PISTON RINGS, Std.

C4874 Before Date 01/10/03 for MXM175, MXM190 only



PAG.1



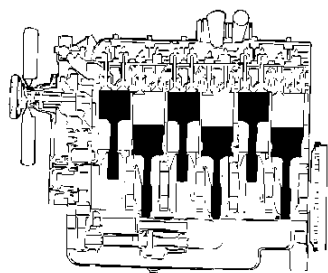
MXM155 CASE IH TRACTOR (6/02- )

0.08.2(02) PISTON & CONNECTING ROD

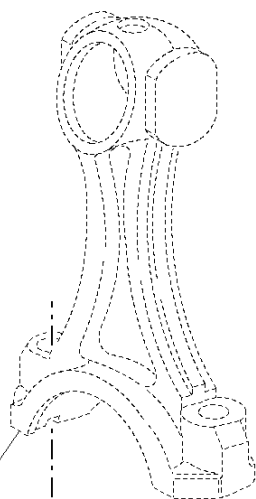
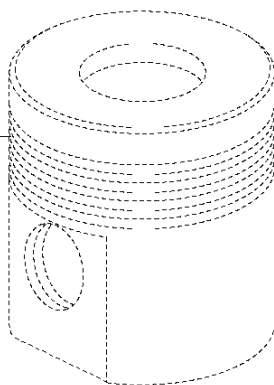
сылка	Номер детали	Кол-во	Описание
1	87801219	6	ROD, CONNECTING,
2	87840994	6	BUSHING,
3	83991680	12	PIN, 1/2" x 3/16"
4	87802307	12	SCREW, Cap, HH, G9, 1/2"-20 x 2-3/16"

C4874 Before Date 01/10/03 for MXM175, MXM190 only

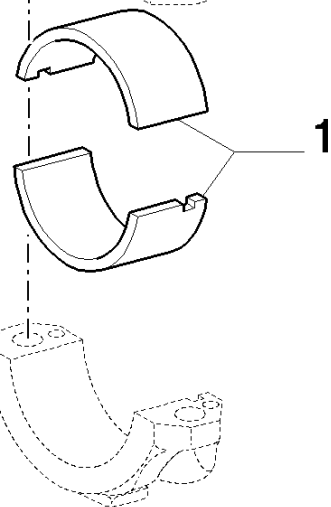




PAG.1



PAG.2



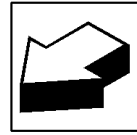
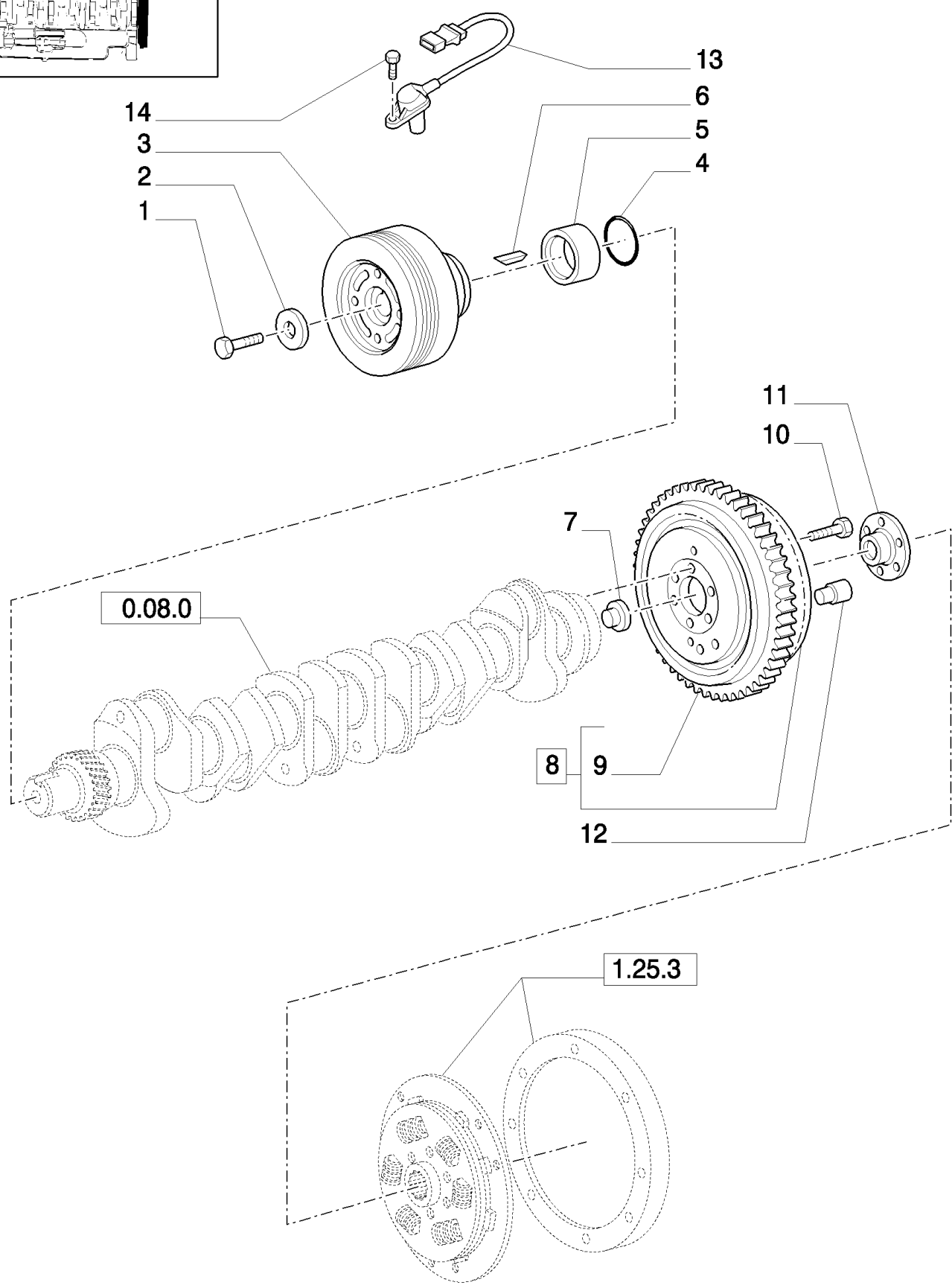
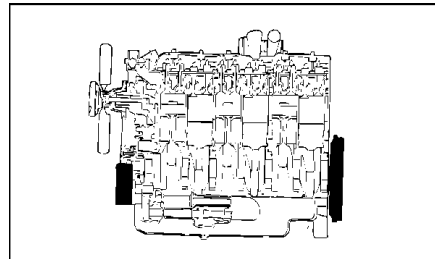
## MXM155 CASE IH TRACTOR (6/02- )

## 0.08.2(03) PISTON &amp; CONNECTING ROD

сылка	Номер детали	Кол-во	Описание
1	87790304	6	SET, CONN ROD BRGS (STD),
1	87790305	AR	SET OF CONN ROD BRGS U/S, .002" (.051 mm) U/S
1	87790306	AR	SET OF CONN ROD BRGS U/S, .010" (.25 mm) U/S, White
1	87790307	AR	SET OF CONN ROD BRGS U/S, .020" (.51 mm) U/S
1	87790308	AR	SET OF CONN ROD BRGS U/S, .030" (.76 mm) U/S
1	87790309	AR	SET OF CONN ROD BRGS U/S, .040" (1.02 mm) U/S

C4874 Before Date 01/10/03 for MXM175, MXM190 only

0.08.4 DAMPER AND FLYWHEEL

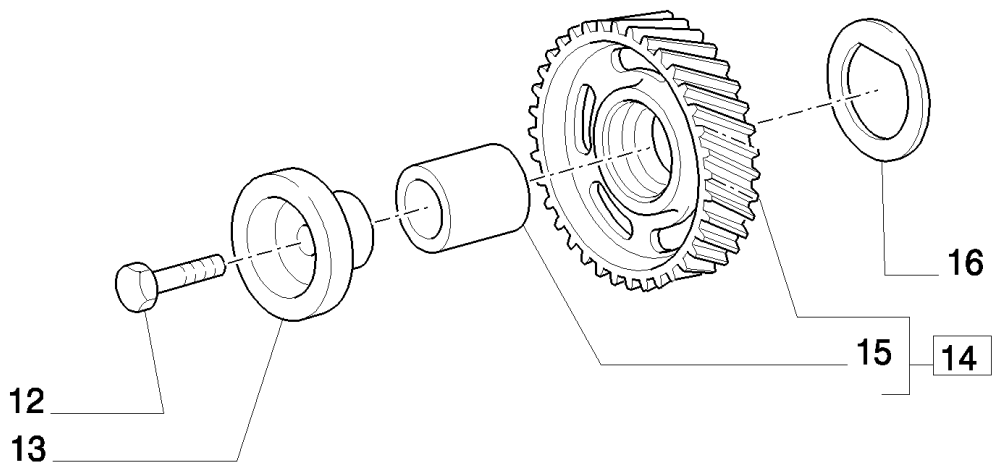
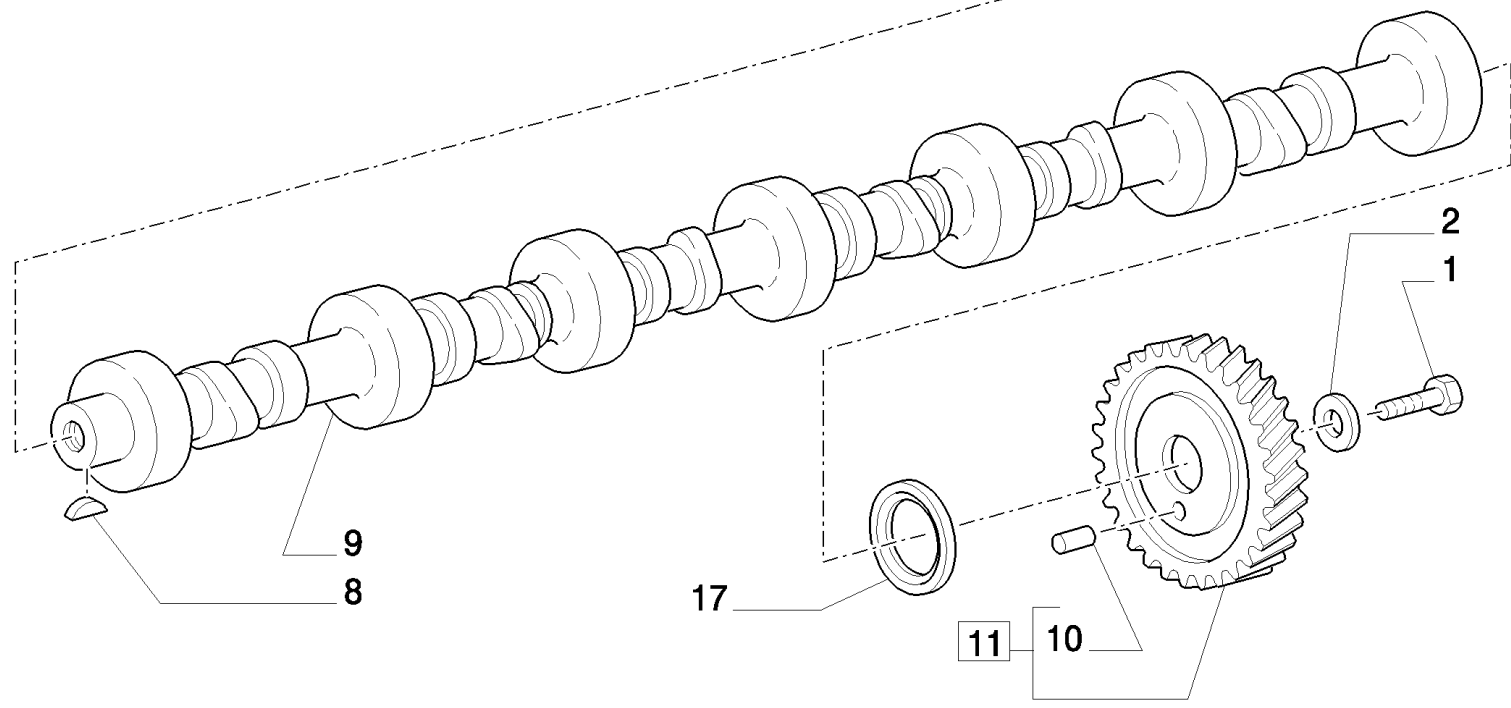
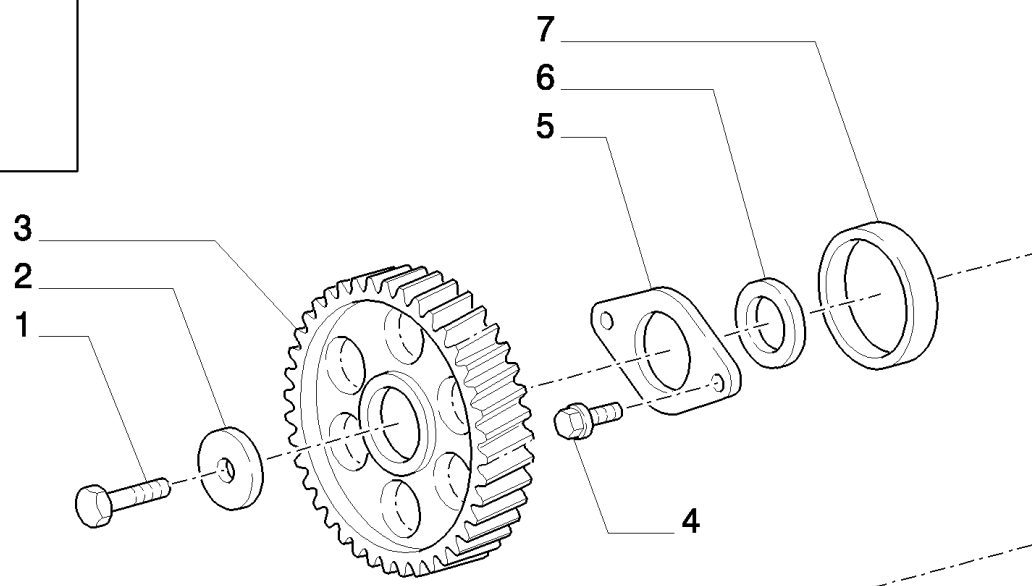
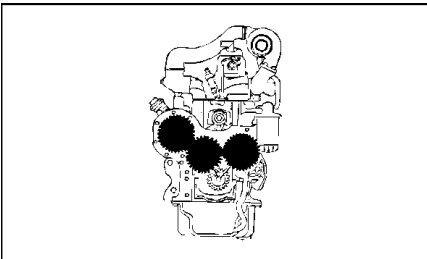


## MXM155 CASE IH TRACTOR (6/02- )

## 0.08.4 DAMPER AND FLYWHEEL

сылка	Номер детали	Кол-во	Описание
1	82895561	1	SCREW, 3/4"-16 x 1-3/4"
2	83990589	1	WASHER,
3	87802666	1	DAMPER, MXM120, MXM130, MXM140, MXM155
3	87802600	1	DAMPER, MXM175, MXM190
4	14459081	1	O-RING, -132, CI 7, 1.737" ID x .103" Thk,
5	87800705	1	SPACER,
6	83956433	1	WOODRUFF KEY,
7	82002586	1	BUSHING,
8	82003744	1	FLYWHEEL, ENGINE, MXM120, MXM130, MXM140, W/Mec. Trans. 20 x 16
8	82003745	1	FLYWHEEL, ENGINE, MXM120, MXM130, MXM140, MXM155, W/semi power shift trans.
8	87802598	1	FLYWHEEL, ENGINE, MXM175, MXM190
8	82016351	1	FLYWHEEL, ENGINE, , W/Full Power Shift Trans. 18 x 6 (40 KPH 4WD) and 17 x 6 (30 KPH) Equip. 281
9	83949153	1	GEAR, RING,
10	82935791	1	SCREW, Cap, HH, G5, Self-Locking, 9/16"-18 x 1-7/8", MXM120, MXM130, MXM140, W/Mec. Trans. 20 x 16
10	83909956	AR	SCREW, Self-Locking, 9/16"-18 x 1-5/8", Qty = 6 for Flywheel 82003745 and 82016351, Qty = 8 for Flywheel 87802598
11	82001274	1	HUB, MXM120, MXM130, MXM140, W/Mec. Trans. 20 x 16
12	81800705	AR	DOWEL, , Qty = 3 for Flywheel 82003745, Qty = 4 for Flywheel 87802598 and 82016351
13	82030048	1	SENSOR, MXM175, MXM190, Crankshaft Speed Sensor
14	14305724	1	SCREW, Hex Soc Hd, M6 x 14, 8.8,

0.12.0 CAM DRIVE GEARS



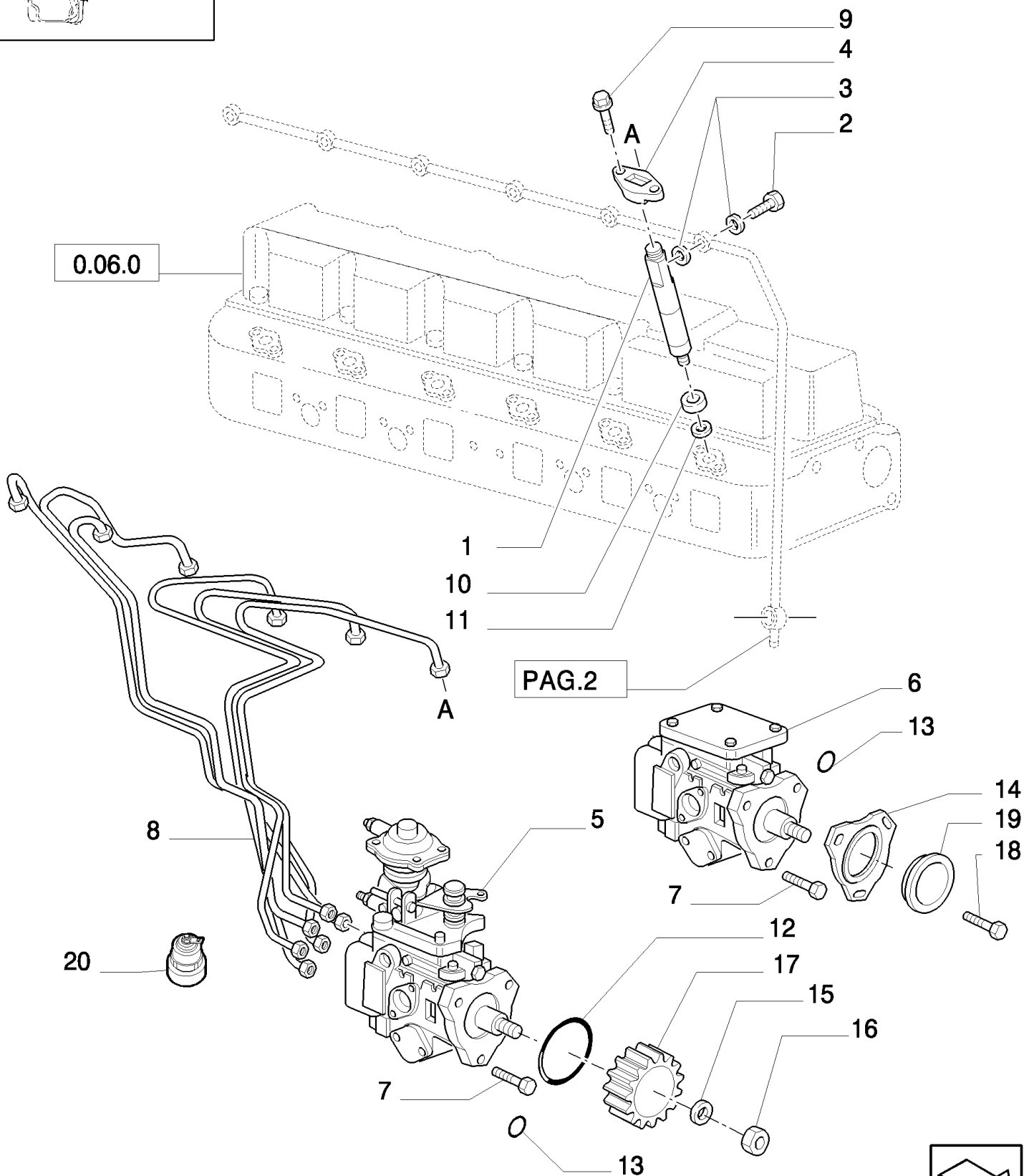
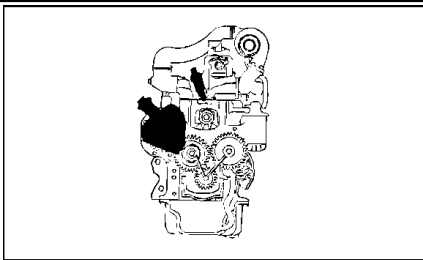
## MXM155 CASE IH TRACTOR (6/02- )

## 0.12.0 CAM DRIVE GEARS

сылка	Номер детали	Кол-во	Описание
1	83909101	1	SCREW, 7/16"-14 x 1.25"
1	81827419	1	BOLT, 7/16"-14 x 3.00", D4954-
2	81804024	2	WASHER,
3	83995066	1	GEAR,
4	83956692	2	SCREW, 3/8"-16 x 3/4"
5	83957730	1	PLATE,
6	81804020	1	SPACER,
7	87800499	9	BEARING, CAMSHAFT,
8	80080810	1	WOODRUFF KEY, #9, 3/16" x 3/4"
9	87802512	1	CAMSHAFT, , -C4954
9	87802902	1	CAMSHAFT, , D4954-
10	81877662	1	DOWEL,
11	83937074	1	GEAR, , -C4954
11	87802906	1	GEAR, Hydraulic Pump Drive, D4954-
12	82852337	1	SCREW, 5/8"-11 x 2-1/4"
13	87800624	1	ADAPTER, MXM120, MXM130, MXM140, MXM155
13	87840404	1	ADAPTER, MXM175, MXM190
14	83992735	1	GEAR,
15	83923678	1	BUSHING,
16	87840406	1	PLATE, WEAR, MXM175, MXM190
17	87802905	1	SPACER, , D4954-

D4954 After Date 01/06/03

0.14.0(01) FUEL SYSTEM



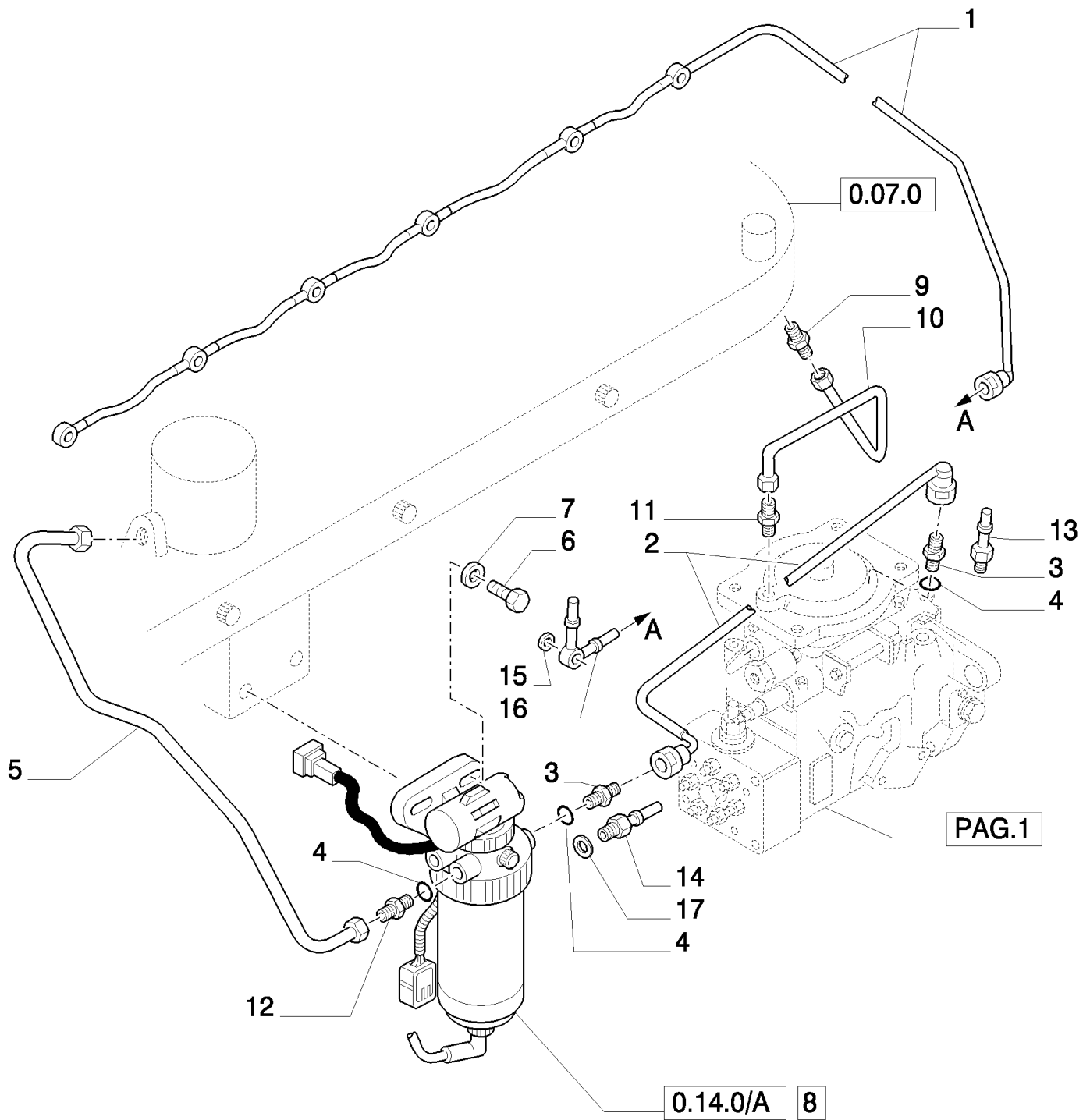
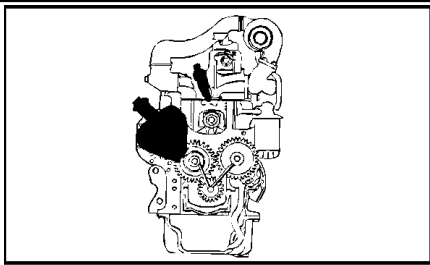
## MXM155 CASE IH TRACTOR (6/02- )

## 0.14.0(01) FUEL SYSTEM

сылка	Номер детали	Кол-во	Описание
1	87802537	6	INJECTOR, FUEL SYSTEM, MXM120, MXM130, MXM140, MXM155, MXM175, MXM190, C4874 for MXM175, MXM190 Only
1	87803276	6	INJECTOR, FUEL SYSTEM, MXM175, MXM190, D4874-
2	87800617	6	SCREW,
3	87803665	6	WASHER, SEALING,
4	83958141	6	BRACKET,
5	87802534	1	PUMP, FUEL INJECTION, MXM120
5	87802532	1	PUMP, FUEL INJECTION, MXM130
5	87802535	1	PUMP, FUEL INJECTION, MXM140
5	87802533	1	PUMP, FUEL INJECTION, MXM155
6	87803357	1	PUMP, FUEL INJECTION, MXM175, MXM190
7	87802302	3	SCREW, M8 x 25
8	87802540	1	PIPE SET, MXM120, MXM130, MXM140, MXM155
8	87802539	1	PIPE SET, MXM175, MXM190
9	87840522	12	BOLT, 5/16"-18 x 1-3/8"
10	81876874	6	SEAL,
11	81873921	6	WASHER, SEALING,
12	14459381	1	O-RING, -135, CI 7, 1.925" ID x .103" Thk, MXM120, MXM130, MXM140, MXM155
13	14437585	3	O-RING, 8MM ID x 1.5 Thk,
14	87802948	1	GASKET, MXM175, MXM190
15	280248	1	WASHER, LOCK, 9/16", MXM120, MXM130, MXM140, MXM155
16	9503259	1	MXM120, MXM130, MXM140, MXM155
17	87840107	1	GEAR, DRIVING, MXM120, MXM130, MXM140, MXM155
18	16287234	4	BOLT, Hex Flg, M8 x 25, 10.9, Full Thd, MXM175, MXM190
19	87802654	1	GEAR, DRIVING, MXM175, MXM190
20	2852741	1	SOLENOID, Fuel Shutoff

D4874 After Date 01/10/03



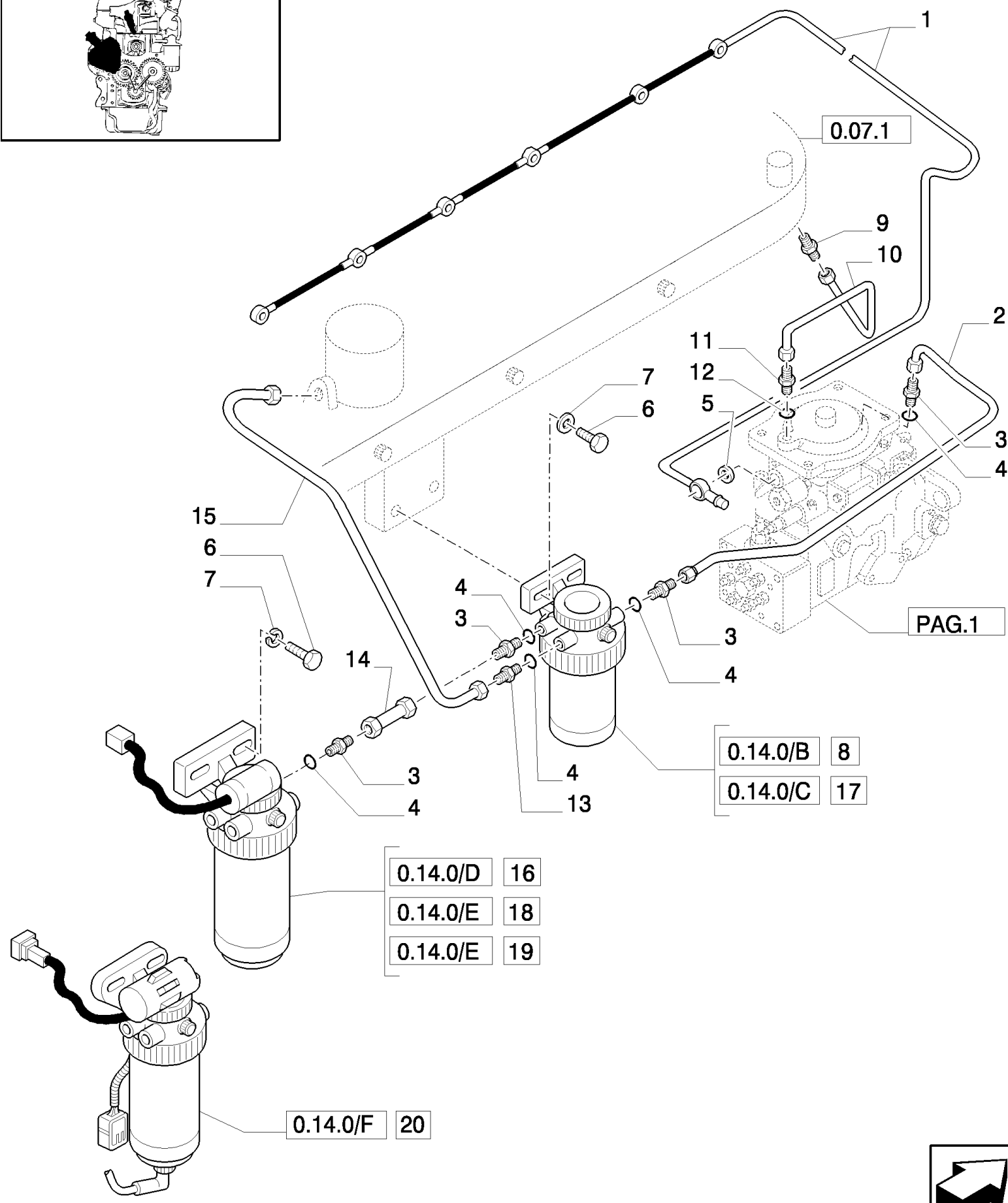
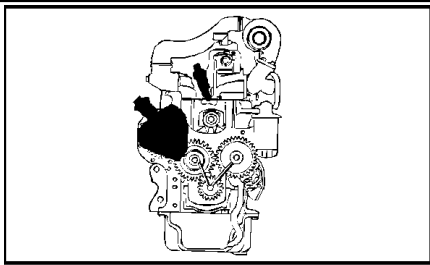


## MXM155 CASE IH TRACTOR (6/02- )

## 0.14.0(02) 1 FILTER FUEL SYSTEM

сылка	Номер детали	Кол-во	Описание
1	87802557	1	TUBE, MXM120, MXM130, MXM140, MXM155
1	87802623	1	TUBE, MXM175, MXM190
2	87802558	1	TUBE, MXM120, MXM130, MXM140, MXM155
2	87802731	1	TUBE, MXM175, MXM190
3	83947824	2	FITTING,
4	83904845	3	O-RING, 7/16" ID x .07 Thk, -C5398
4	87590625	3	GASKET, , D5398-
5	87802554	1	TUBE,
6	83935461	2	SCREW, 3/8"-16 x 1-1/2"
7	83908991	2	WASHER,
8	87802726	1	FILTER, FUEL, 5 Micron
9	83958607	1	FITTING, MXM120, MXM130, MXM140, MXM155
10	87801959	1	TUBE, MXM120, MXM130, MXM140, MXM155
11	87840209	1	FITTING, MXM120, MXM130, MXM140, MXM155
12	82894025	1	FITTING,
13	82012598	1	FITTING, MXM175, MXM190, -C5398
13	87580729	1	FITTING, , D5398-
14	87802682	1	FITTING, MXM175, MXM190
15	87801445	1	WASHER, MXM175, MXM190
16	87802604	1	ELBOW, MXM175, MXM190
17	87801445	2	WASHER, MXM175, MXM190

D5398 Serial N.ACM280157

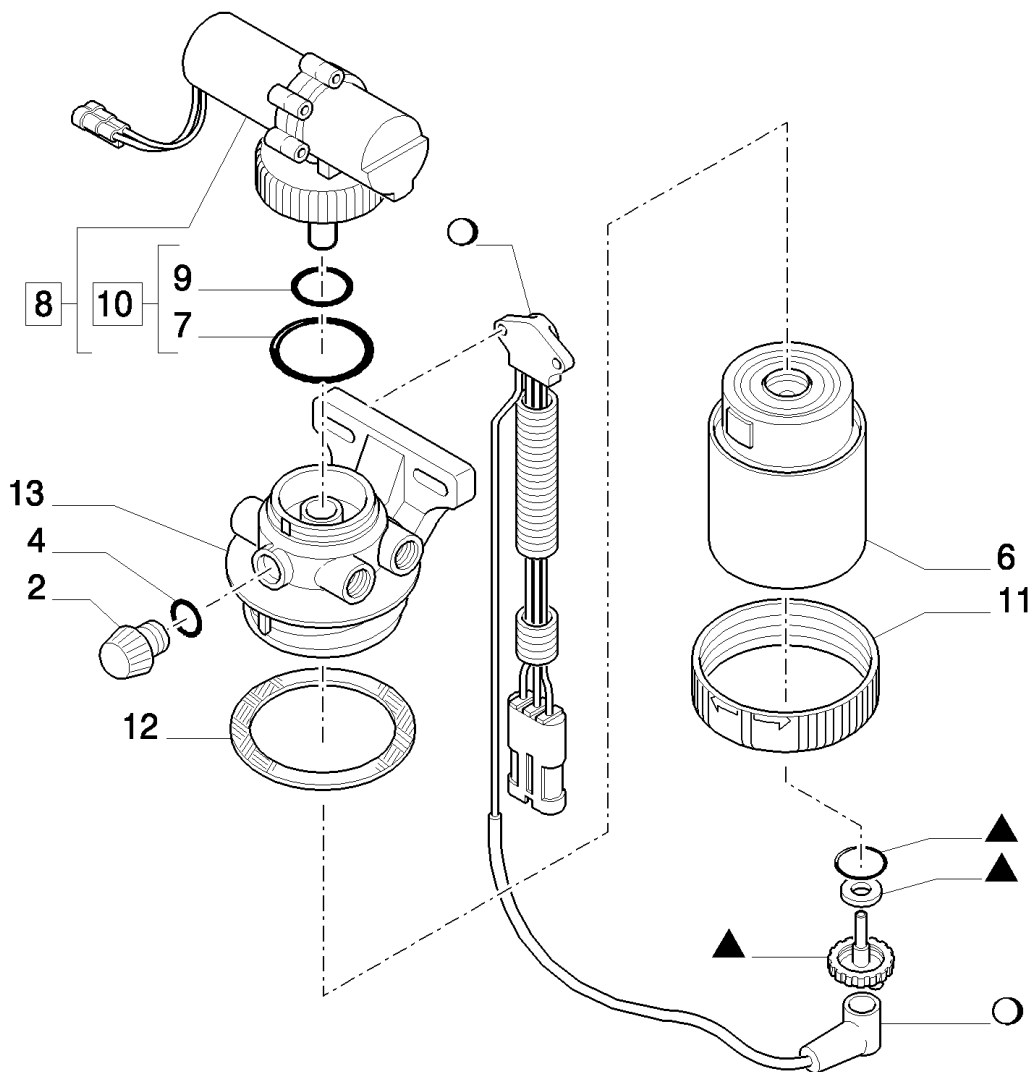
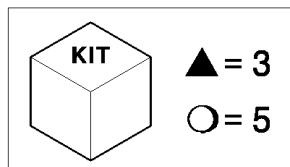
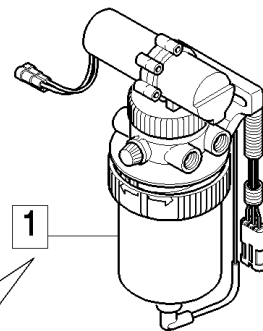
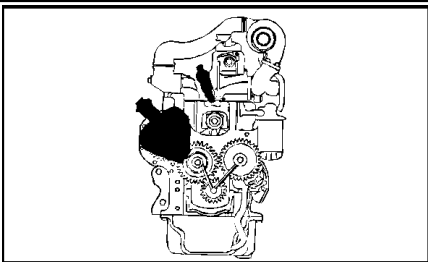


## MXM155 CASE IH TRACTOR (6/02- )

## 0.14.0(03) 2 FILTERS FUEL SYSTEM

сылка	Номер детали	Кол-во	Описание
1	87802557	1	TUBE,
2	87800521	1	TUBE, 9/16"-24
3	83947824	4	FITTING, 9/16"-24, 1/2"-20
4	83904845	4	O-RING,
5	87801445	1	WASHER,
6	83935461	4	SCREW,
7	83908991	4	WASHER,
8	87802168	1	FILTER ASSY., 5 Micron, BSN 218235
9	83958607	1	FITTING, 3/16"
10	87801959	1	TUBE, 3/16"
11	87840209	1	FITTING, 3/16"
12	81867564	1	WASHER,
13	82894025	1	FITTING, 3/16", 1/2"-20
14	87801397	1	TUBE, 9/16"-24
15	87801627	1	TUBE, 3/8"-24, 3/16"
16	87802331	1	FILTER ASSY., Fuel, 30 Micron, BSN 218235
17	87339387	1	FILTER ASSY., Fuel, D5368-
17	87803436	1	FILTER ASSY., Fuel, 5 Micron, 218236-C5368
18	87803437	1	FILTER ASSY., Fuel, 30 Micron, BTW 218236 & HA163029
19	87327686	1	FILTER ASSY., Fuel, BTW HA163030 & FB175162
20	87374411		FILTER ASSY., Fuel, ASN FB175163

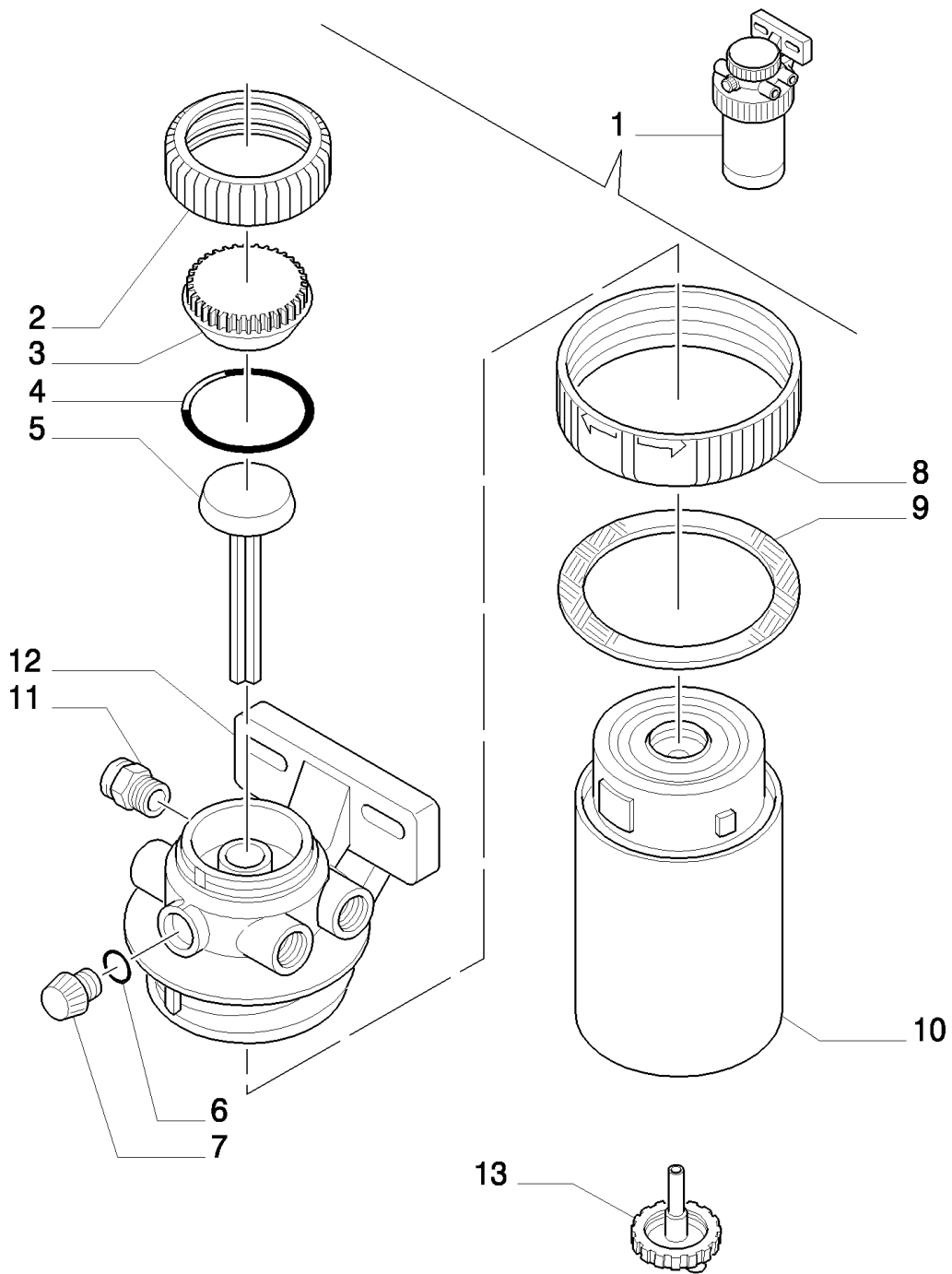
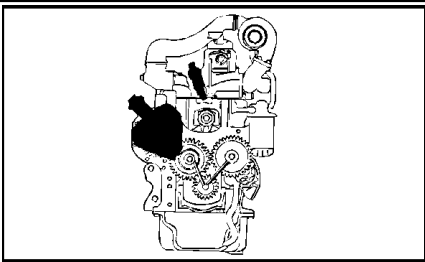
0.14.0/ A FILTER ASSEMBLY, FUEL/WATER



## MXM155 CASE IH TRACTOR (6/02- )

## 0.14.0/ A FILTER ASSEMBLY, FUEL/WATER

сылка	Номер детали	Кол-во	Описание
1	87802726	1	FILTER, FUEL, Fuel
2	87840178	1	PLUG,
3	87801006	1	KIT, Drain Valve Sensor
4	87840177	1	O-RING, Bowl Module
5	87801007	1	KIT, Water Sensor
6	87802927	1	FILTER, FUEL, 5 Micron
7	87802625	1	O-RING, Large
8	87802238	1	PUMP, ELECTRIC, Lift
9	87802128	1	O-RING, Small
10	87802132	1	KIT, SEALS,
11	87840170	1	RING, LOCKING,
12	87840171	1	SEAL,
13	87802727	1	HEAD, FILTER,

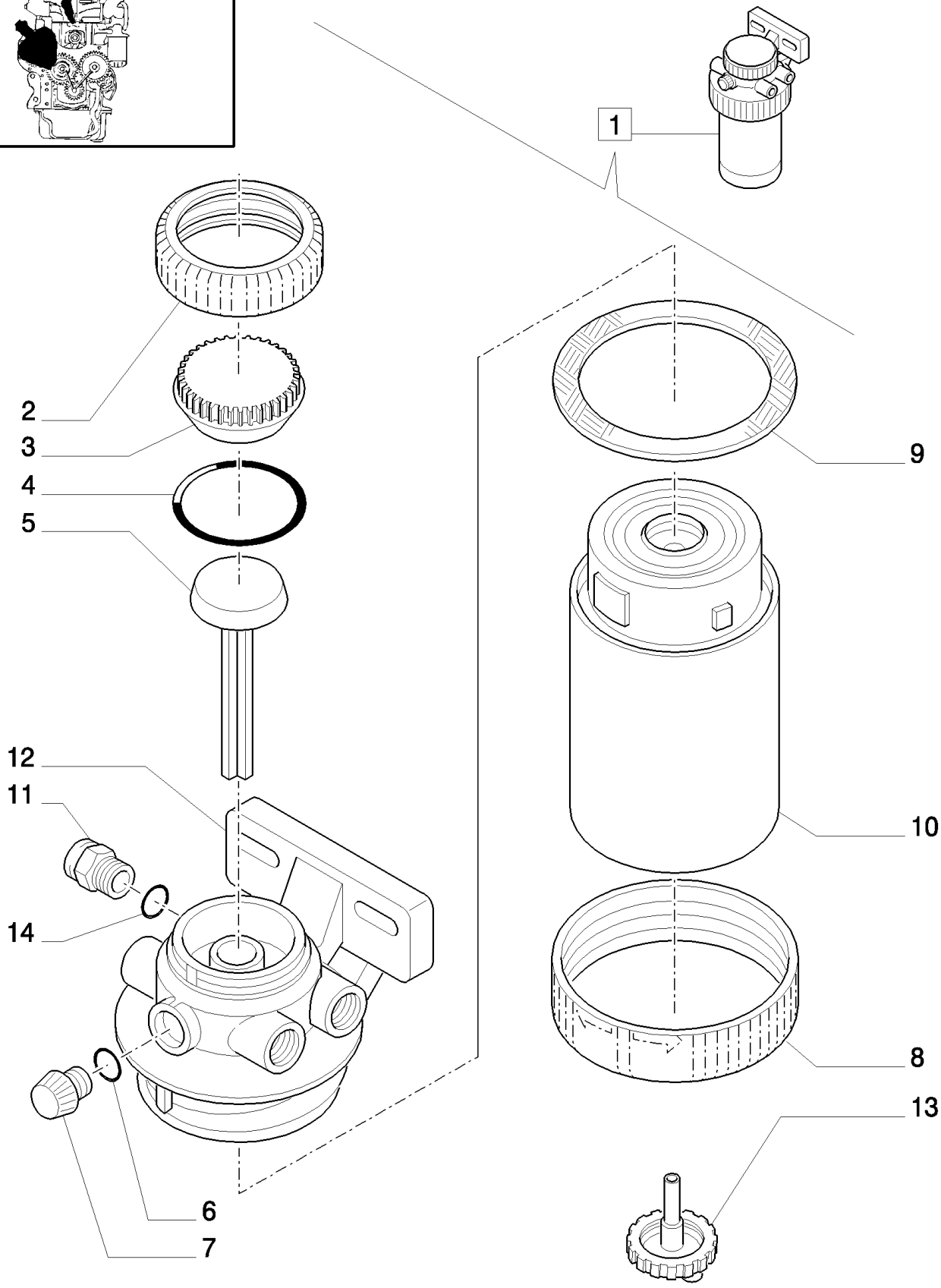
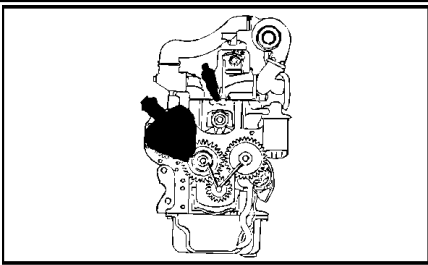


## MXM155 CASE IH TRACTOR (6/02- )

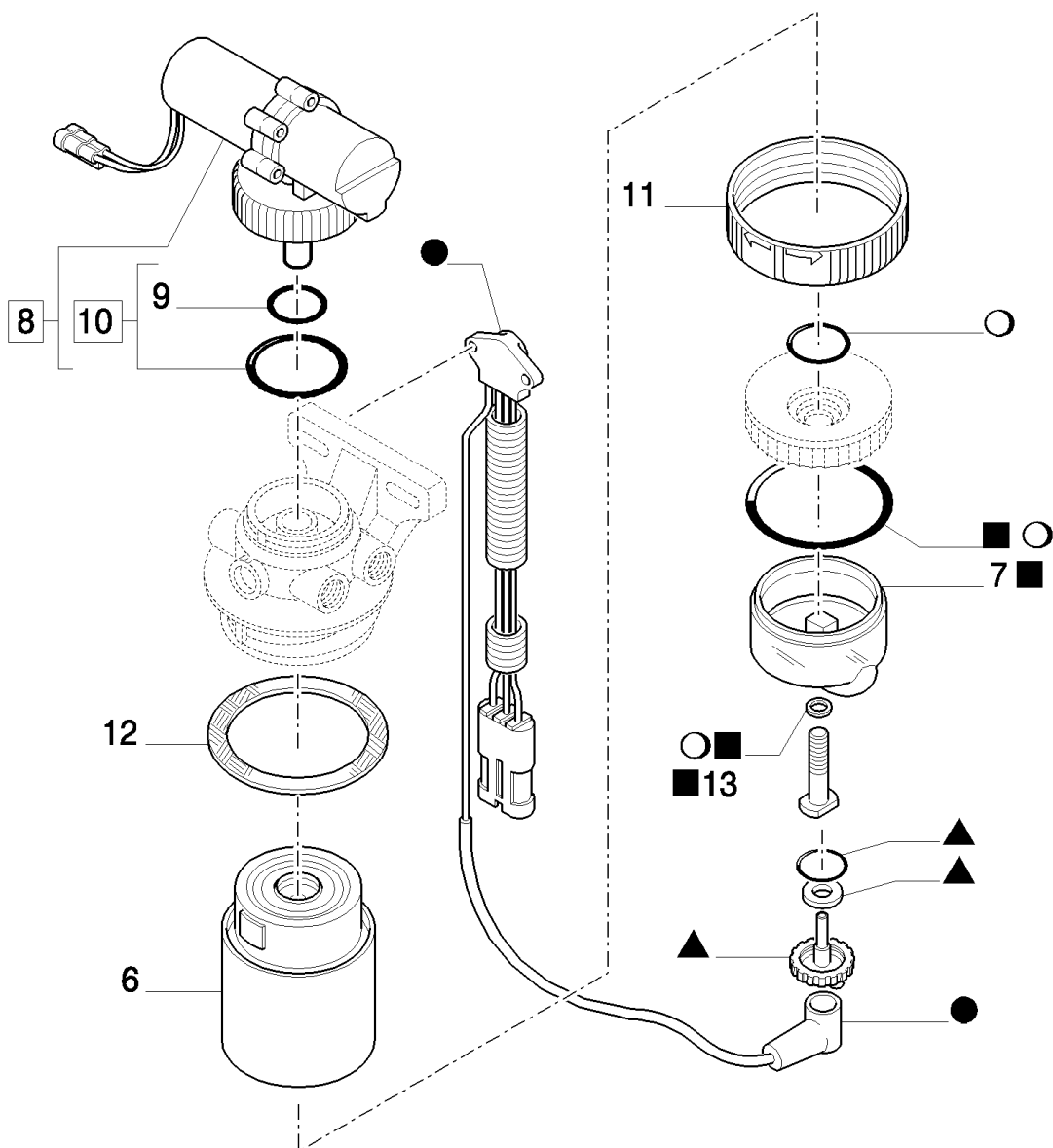
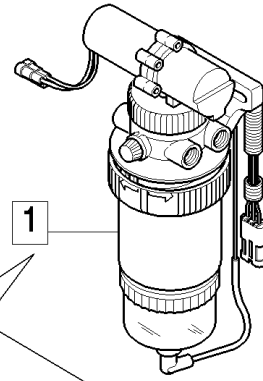
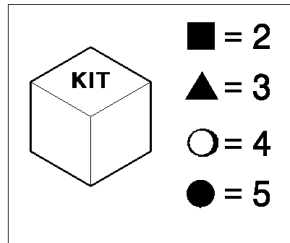
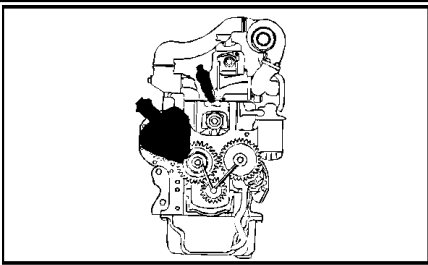
## 0.14.0/ B FUEL FILTER BREAKDOWN - BSN ACM218235

сылка	Номер детали	Кол-во	Описание
1	87802168	1	FILTER ASSY., Assy
2	87840173	1	RETAINER,
3	87840175	1	COVER,
4	87840174	1	O-RING,
5	87840176	1	PLUG,
6	87840177	1	O-RING,
7	87840178	1	PLUG,
8	87840170	1	RING, LOCKING,
9	87840171	1	SEAL,
10	87802921	1	FILTER, FUEL, 5 Micron
11	83947824	1	FITTING,
12	87840172	1	HEAD, FILTER,
13	87800673	1	VALVE, DRAIN,
14	83904845	1	O-RING,





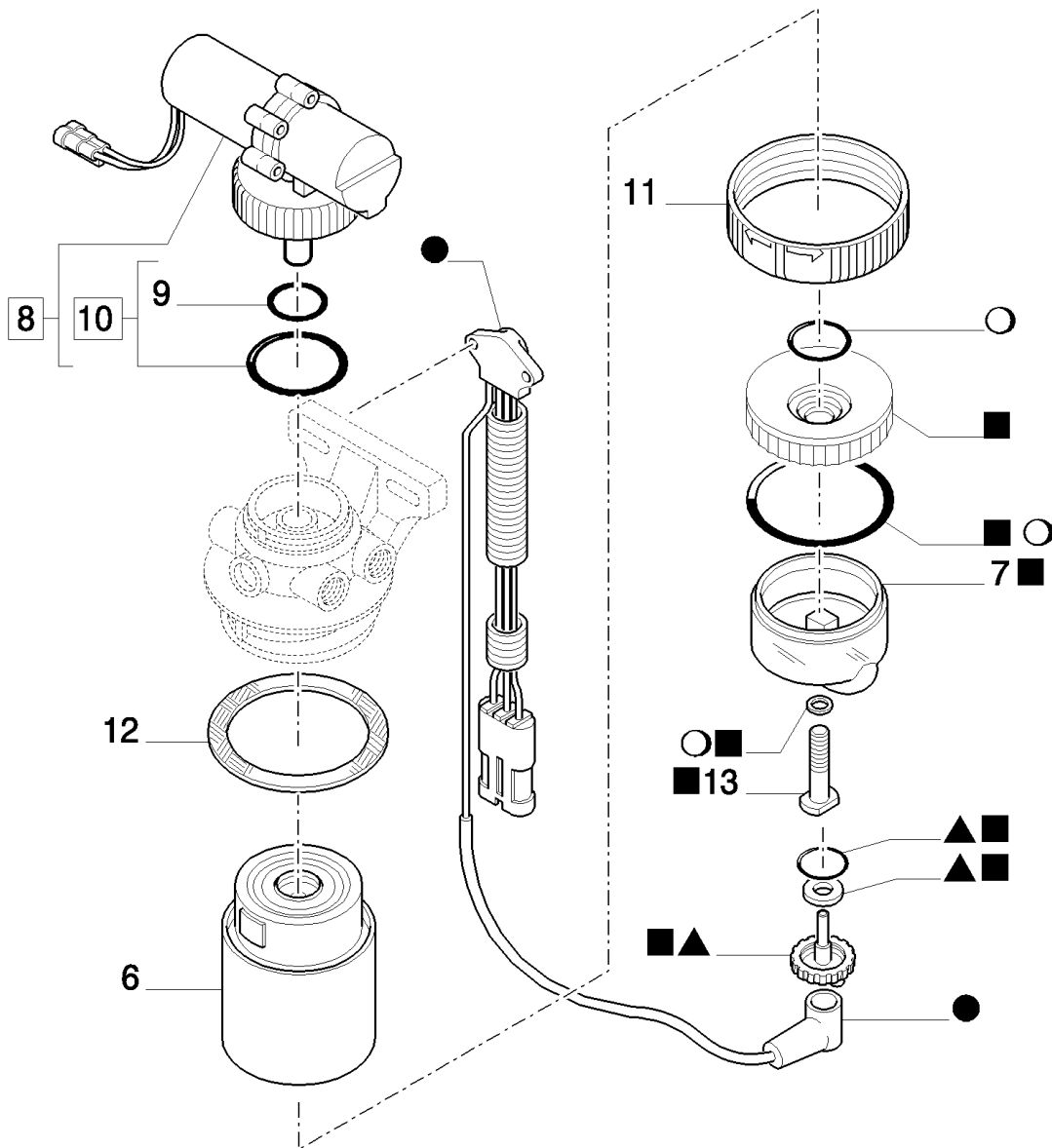
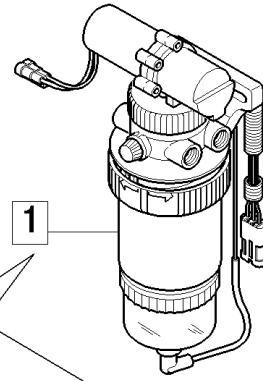
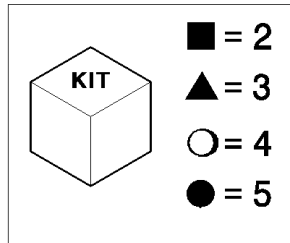
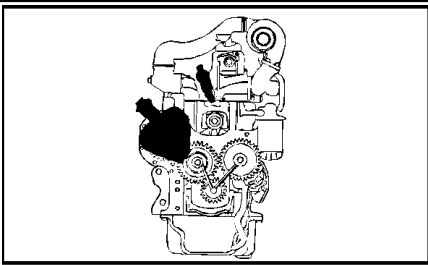
сылка	Номер детали	Кол-во	Описание
1	87339387	1	FILTER ASSY., , D5368-
1	87803436	1	FILTER ASSY., , -C5368
2	87840173	1	RETAINER,
3	87840175	1	COVER,
4	87840174	1	O-RING,
5	87840176	1	PLUG,
6	87840177	1	O-RING,
7	87840178	1	PLUG,
8	87840170	1	RING, LOCKING,
9	87840171	1	SEAL,
10	87803442	1	FILTER, FUEL, 5 Micron
11	83947824	1	FITTING,
12	87840172	1	HEAD, FILTER,
13	87800673	1	VALVE, DRAIN,
14	83904845	1	O-RING,



MXM155 CASE IH TRACTOR (6/02- )

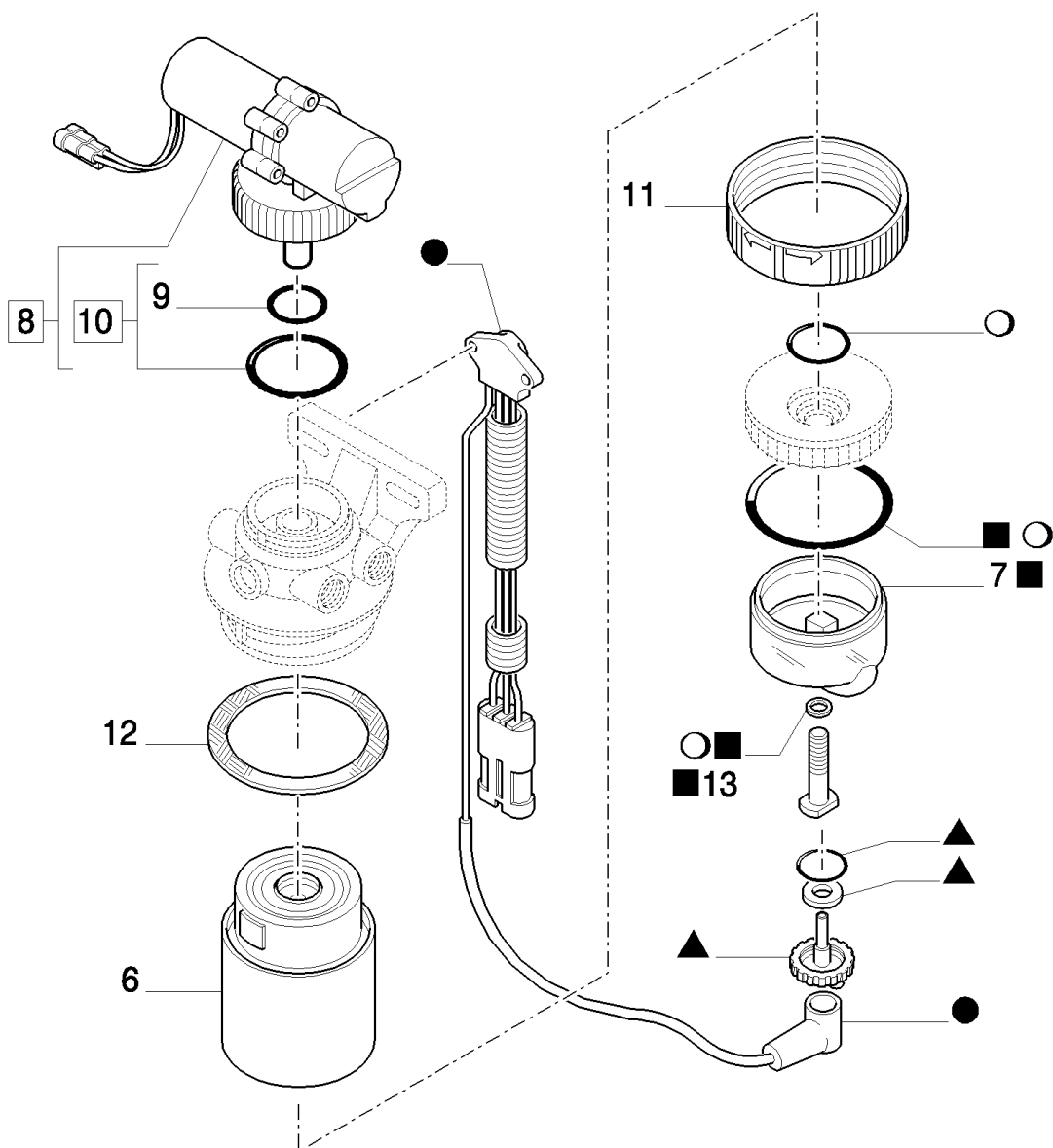
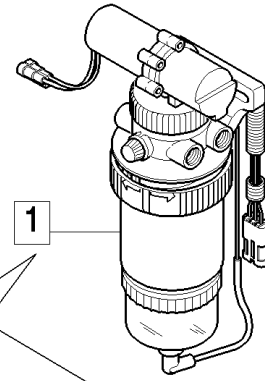
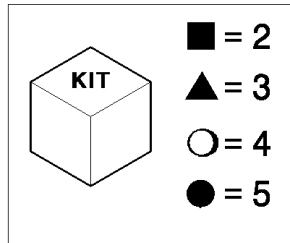
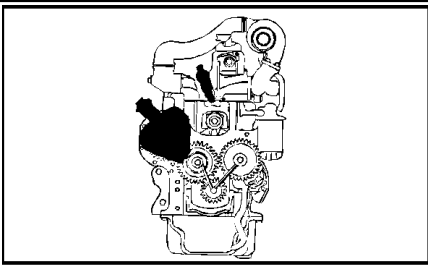
0.14.0/ D SEPARATORY ASSY FUEL/WATER BREAKDOWN - BSN ACM218235

сылка	Номер детали	Кол-во	Описание
1	87802331	1	FILTER ASSY., Fuel
2	87801005	1	KIT, Bowl Module
3	87801006	1	KIT, Drain Valve Sensor
4	87801004	1	KIT, Bowl Seal
5	87801007	1	KIT, Water Sensor
6	87802923	1	FILTER, FUEL, 30 Micron
7	87840182	1	BOWL,
8	87802238	1	PUMP, ELECTRIC, Lift
9	87802128	1	O-RING,
10	87802132	1	KIT, SEALS,
11	87840170	1	RING, LOCKING,
12	87840171	1	SEAL,
13	87840187	1	SCREW,



сылка	Номер детали	Кол-во	Описание
1	87803437	1	FILTER ASSY., Fuel Water Separator, BSN HA163029
1	87327686	1	FILTER ASSY., Fuel Water Separator, ASN HA163030
2	87801005	1	KIT, Bowl Module
3	87801006	1	KIT, Drain Valve Sensor
4	87801004	1	KIT, Bowl Seal
5	87801007	1	KIT, Water Sensor
6	87803445	1	FILTER, FUEL, 30 Micron
7	87840182	1	BOWL,
8	87802238	1	PUMP, ELECTRIC, Lift, BSN HA163029
8	87327688	1	PUMP, ELECTRIC, Lift, ASN HA163030
9	87802128	1	O-RING,
10	87802132	1	KIT, SEALS,
11	87840170	1	RING, LOCKING,
12	87840171	1	SEAL,
13	87840187	1	SCREW,

0.14.0/ F SEPARATORY ASSY FUEL/WATER BREAKDOWN



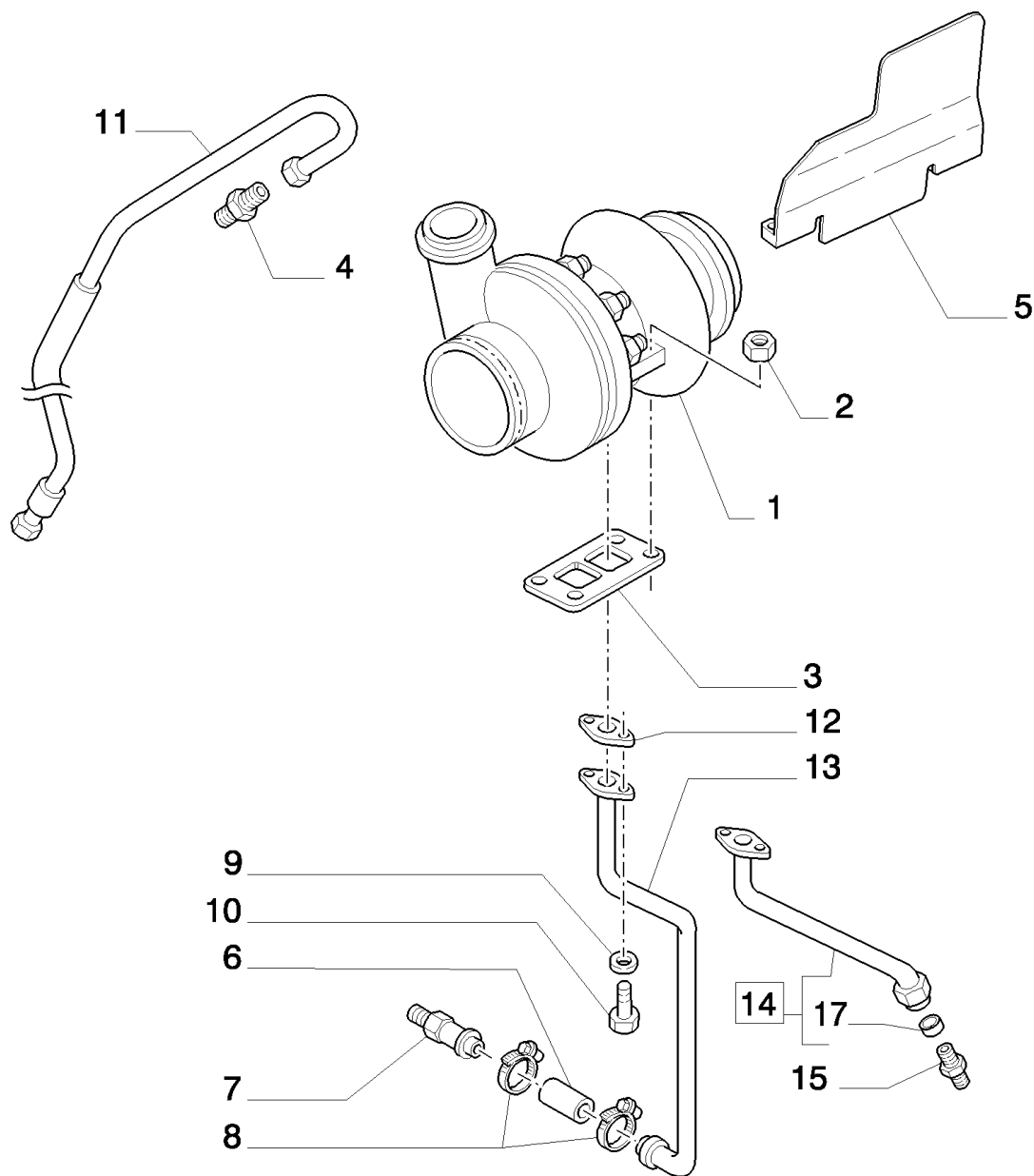
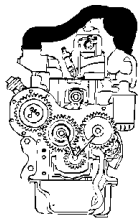
## MXM155 CASE IH TRACTOR (6/02- )

## 0.14.0/ F SEPARATORY ASSY FUEL/WATER BREAKDOWN

сылка	Номер детали	Кол-во	Описание
1	87374411	1	FILTER ASSY., Fuel/Water Separator
2	87801005	1	KIT, Bowl Module
3	87801006	1	KIT, Drain Valve Sensor
4	87801004	1	KIT, Bowl Seal
5	87801007	1	KIT, Water Sensor
6	87803445	1	FILTER, FUEL, 30 Micron
7	87840182	1	BOWL,
8	87327688	1	PUMP, ELECTRIC,
9	87802128	1	O-RING,
10	87802132	1	KIT, SEALS,
11	87840170	1	RING, LOCKING,
12	87840171	1	SEAL,
13	87840187	1	SCREW,



0.24.0 TURBOCHARGER & RELATED PARTS

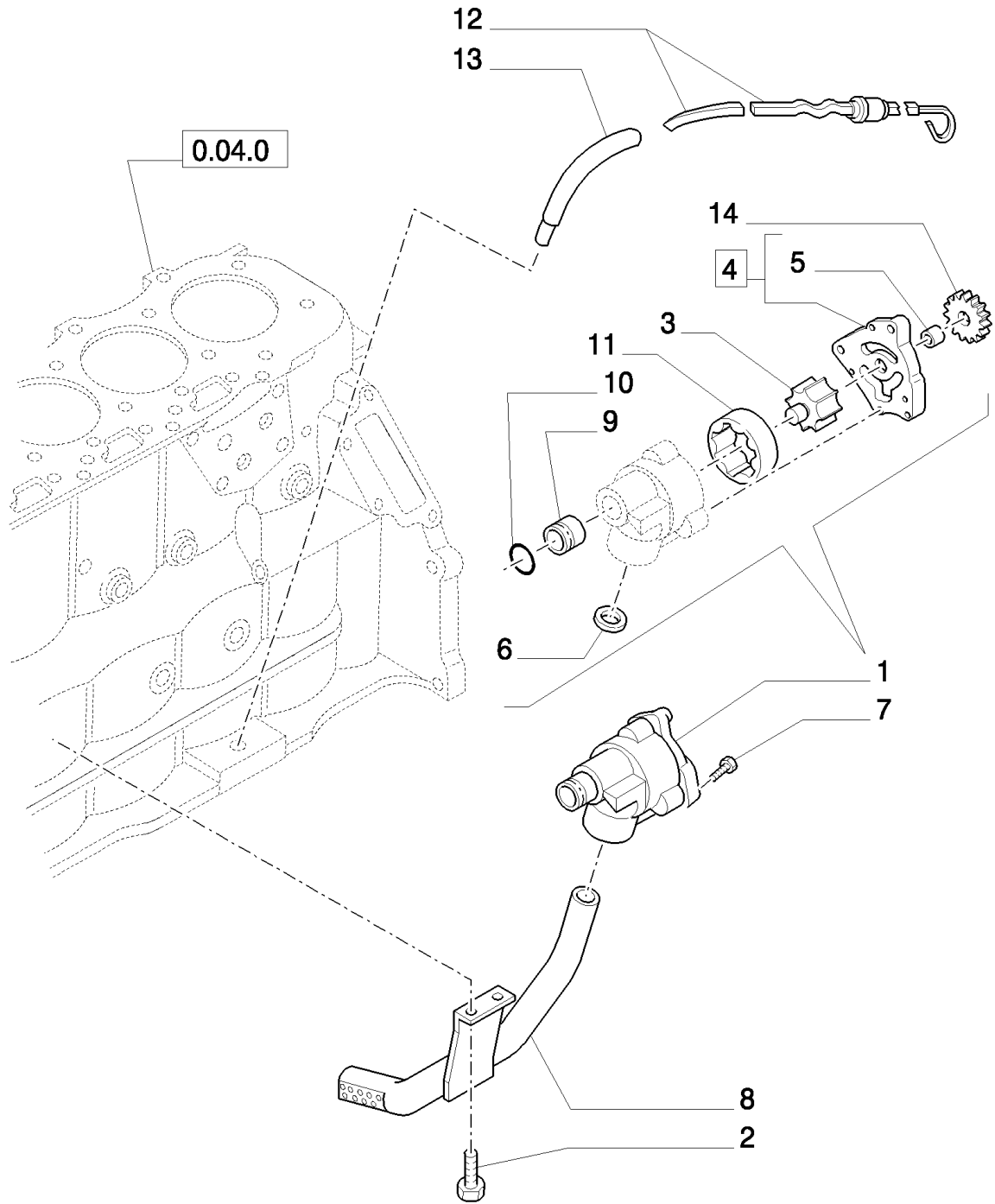
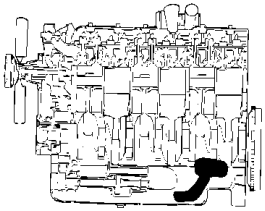


## MXM155 CASE IH TRACTOR (6/02- )

## 0.24.0 TURBOCHARGER &amp; RELATED PARTS

сылка	Номер детали	Кол-во	Описание
1	87802480	1	TURBOCHARGER, MXM120, MXM130, MXM140, MXM155
1	87802482	1	TURBOCHARGER, MXM175, MXM190
2	87803212	4	NUT, 3/8"-24
3	83911642	1	GASKET,
4	87802213	1	ADAPTER,
5	87803006	2	SHIELD,
6	87801937	1	HOSE, MXM140, MXM155, MXM175, MXM190
7	81876817	1	FITTING, MXM140, MXM155, MXM175, MXM190
8	82039344	2	CLAMP, MXM140, MXM155, MXM175, MXM190
9	82879357	2	WASHER,
10	81876833	2	FERRULE,
11	82028972	1	TUBE,
12	83953341	1	GASKET, , BSN щ
13	87802931	1	TUBE, MXM140, MXM155, MXM175, MXM190
14	87802523	1	TUBE, MXM120, MXM130
15	81876834	1	CONNECTOR, HYD., MXM120, MXM130
17	81876833	1	FERRULE,

0.30.0 PUMP, ENGINE OIL

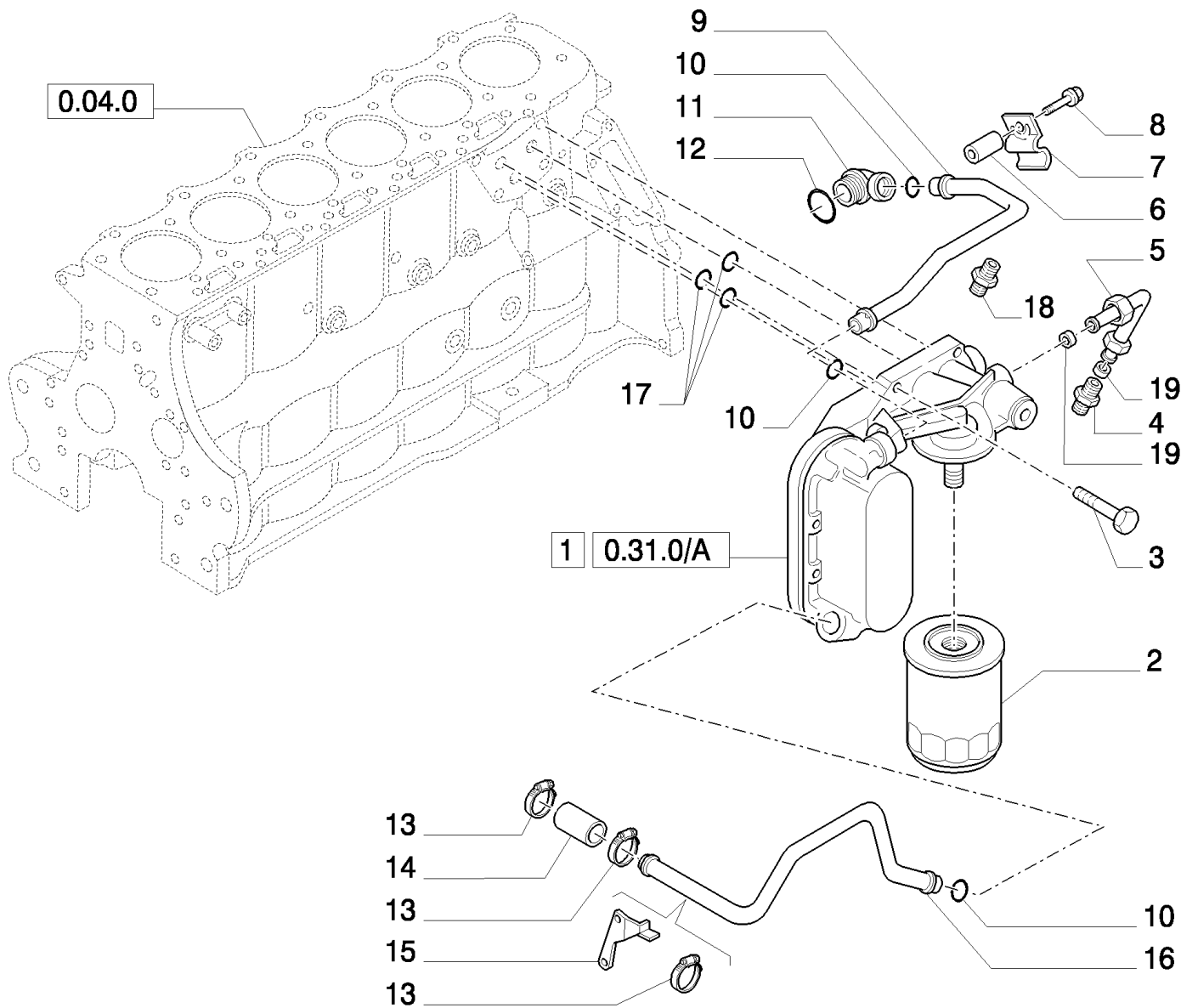
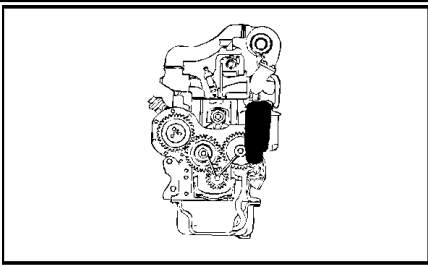


## MXM155 CASE IH TRACTOR (6/02- )

## 0.30.0 PUMP, ENGINE OIL

сылка	Номер детали	Кол-во	Описание
1	87802585	1	PUMP, ENGINE OIL,
2	81876945	2	BOLT, Hex Flg Hd, G5, 3/8"-16 x 3/4"
3	87802588	1	SHAFT,
4	87802587	1	COVER,
5	83999708	1	BUSHING,
6	14463881	1	O-RING, -220, CI 7, 1.359" ID x .139" Thk,
7	80087657	3	SCREW, Cap, HH, G5, 5/16"-18 x 1-1/4"
8	87840086	1	TUBE,
9	83999696	1	SLEEVE,
10	14463081	1	O-RING, -212, CI 7, .859" ID x .139" Thk,
11	87802589	1	ROTOR,
12	87801536	1	DIPSTICK,
13	81879192	1	TUBE,
14	83999693	1	GEAR,

0.31.0 CRANKCASE OIL COOLER ASSY

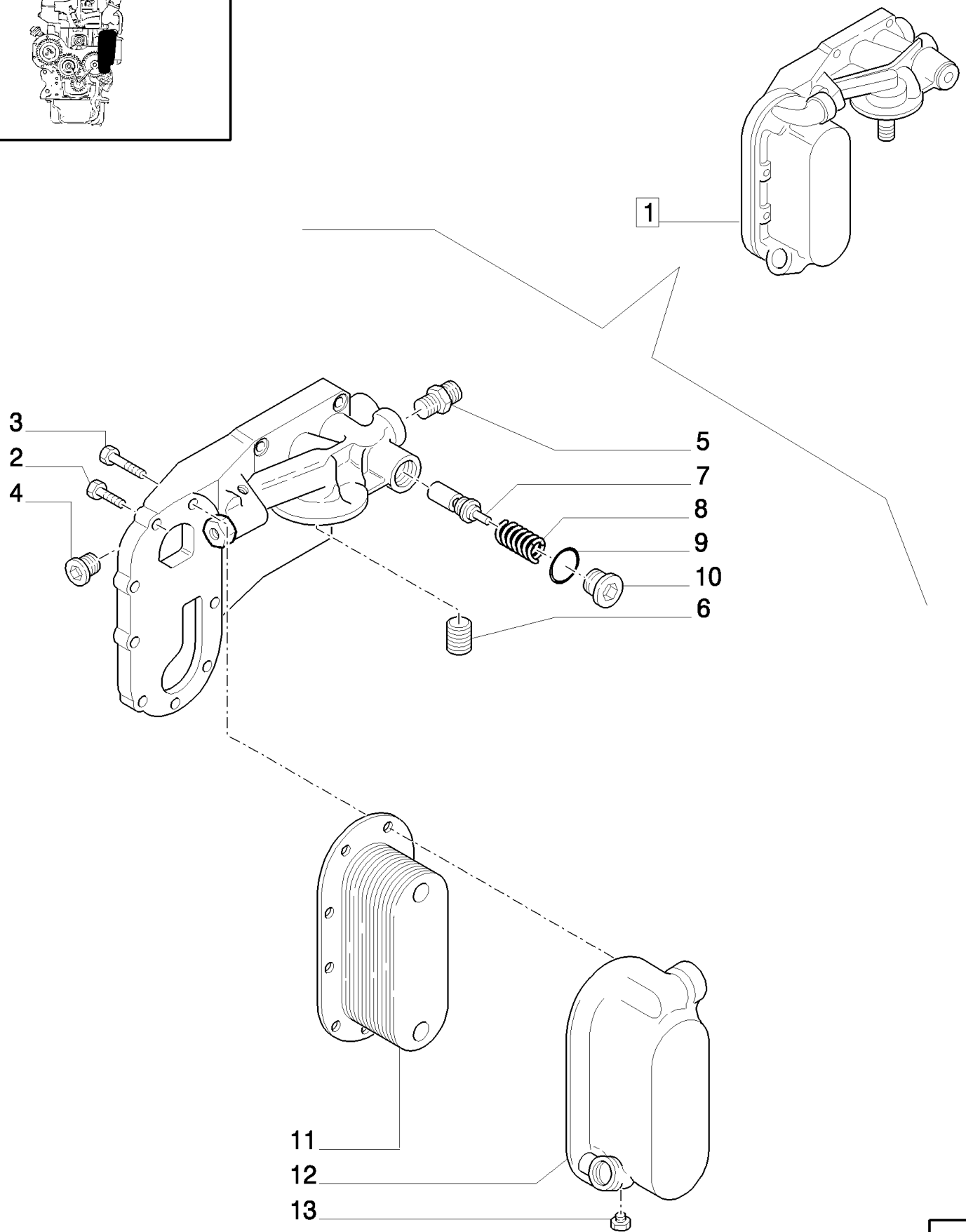
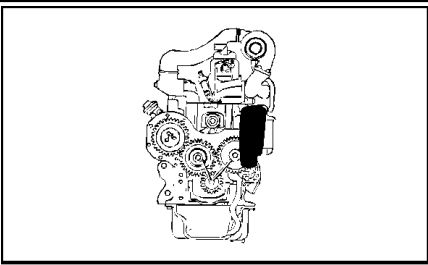


## MXM155 CASE IH TRACTOR (6/02- )

## 0.31.0 CRANKCASE OIL COOLER ASSY

сылка	Номер детали	Кол-во	Описание
1	87802763	1	COOLER, OIL, Assy
2	1931172	1	FILTER, ENGINE OIL,
3	83958605	4	BOLT, Flg Hd, 3/8"-16 x 1-1/2"
4	81876834	1	CONNECTOR, HYD.,
5	81879199	1	TUBE,
6	81876849	1	SPACER,
7	81876848	1	SUPPORT,
8	81868093	1	SCREW, 7/16"-14 x 2-1/2"
9	87802211	1	TUBE,
10	238-5214	3	O-RING, -214, 70 Duro, .984" ID x .139" Thk,
11	82020400	1	CONNECTOR, HYD.,
12	89706747	1	O-RING,
13	89706921	3	CLAMP,
14	87840711	1	HOSE,
15	87802751	1	BRACKET,
16	87802753	1	TUBE,
17	14463881	3	O-RING, -220, CI 7, 1.359" ID x .139" Thk,
18	87802946	1	ADAPTER,
19	81876833	1	FERRULE,

0.31.0/ A CRANKCASE OIL COOLER - BREAKDOWN



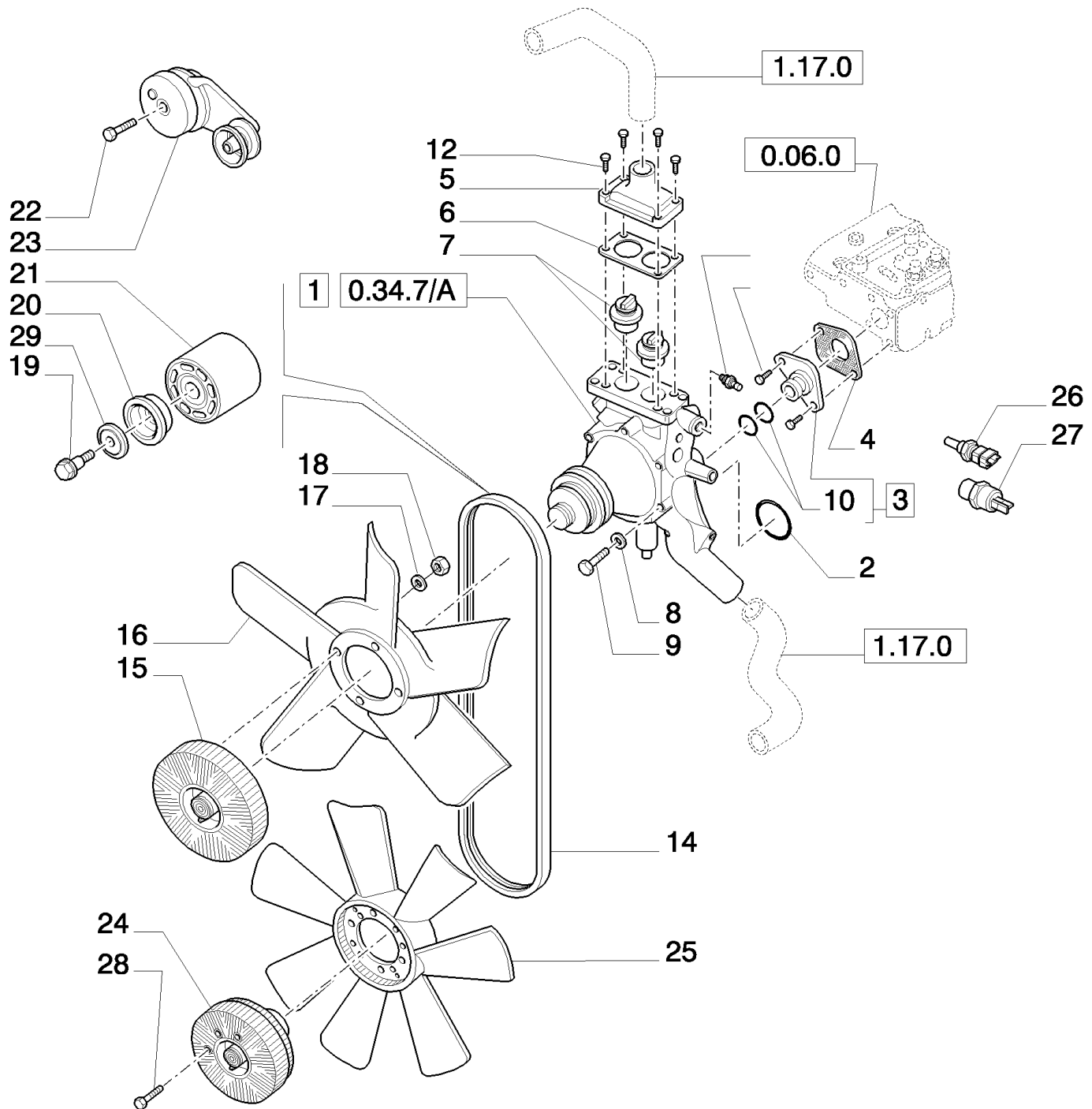
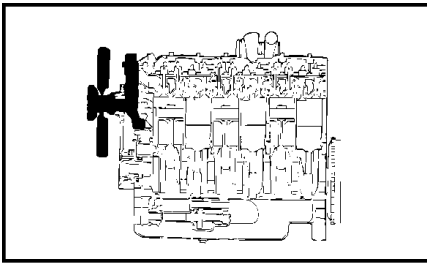
## MXM155 CASE IH TRACTOR (6/02- )

## 0.31.0/ A CRANKCASE OIL COOLER - BREAKDOWN

сылка	Номер детали	Кол-во	Описание
1	87802763	1	COOLER, OIL, Assy
2	83958603	7	SCREW, 3/8"-16 x 1-3/4"
3	81868845	2	SCREW, Cap, Flg Hd, USR, 3/8"-16 x 2-1/2"
4	83948690	3	PLUG,
5	81876834	1	CONNECTOR, HYD.,
6	83956661	1	INSERT,
7	81876837	1	VALVE, PRESSURE RELIEF,
8	81876836	1	SPRING,
9	80167266	1	O-RING, 90 Duro, .924" ID x .116" Thk
10	83925030	1	PLUG,
11	81868413	1	HEAT EXCHANGER,
12	87802758	1	COVER,
13	80088071	1	PLUG,



0.34.7 WATER PUMP / FAN

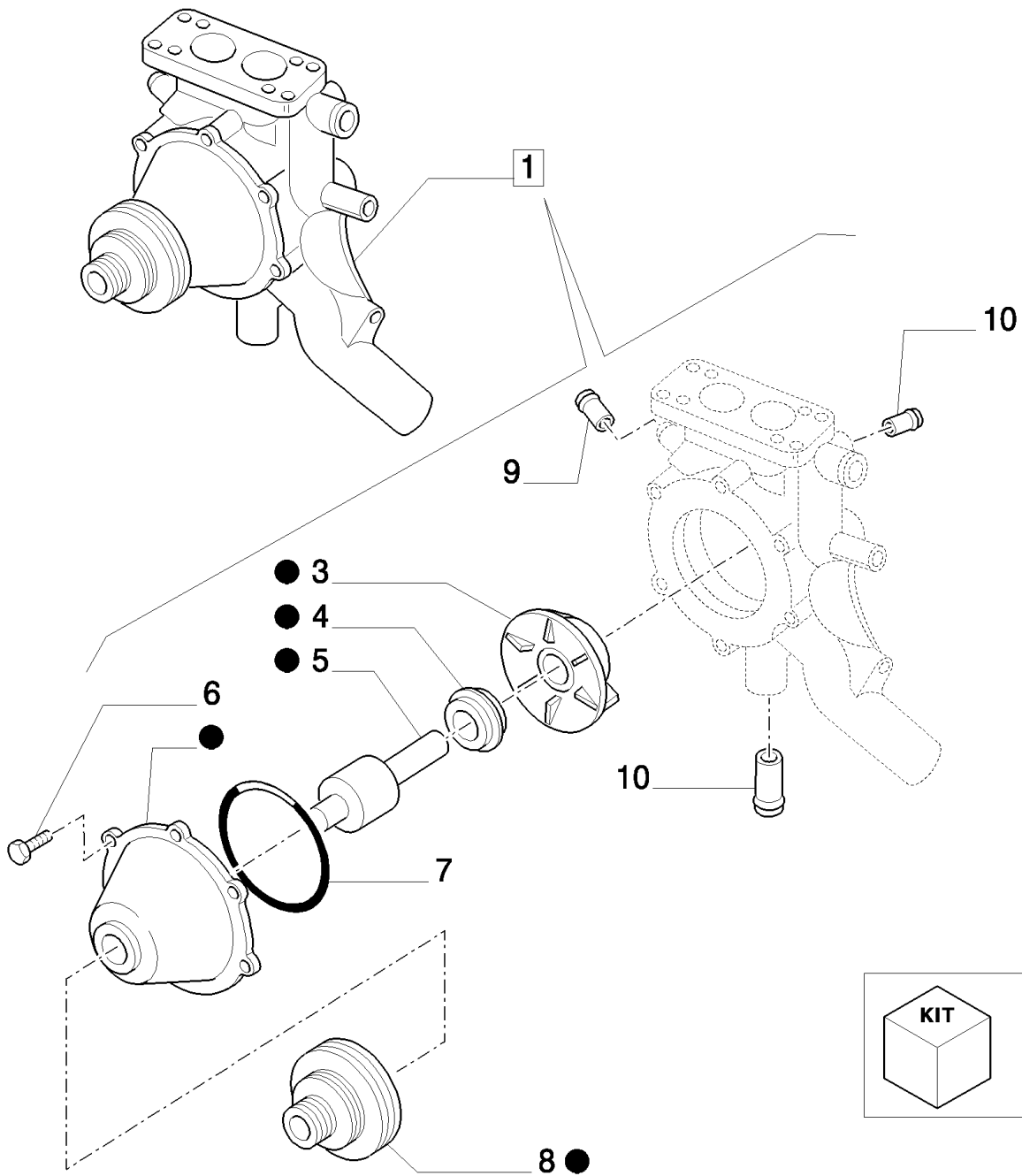
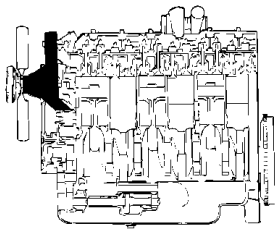


## MXM155 CASE IH TRACTOR (6/02- )

## 0.34.7 WATER PUMP / FAN

сылка	Номер детали	Кол-во	Описание
1	87802491	1	PUMP, WATER, Assy, MXM120, MXM130
1	87802490	1	PUMP, WATER, Assy, MXM140, MXM155, MXM175, MXM190
2	80510185	1	O-RING, 2.234" ID x .139" Thk
3	83999257	1	FITTING, Water Inlet
4	87800983	1	GASKET,
5	81876917	1	HOUSING, Thermostat
6	83912930	1	GASKET,
7	87800842	2	THERMOSTAT,
8	83980546	4	WASHER, LOCK, 7/16"
9	80050569	1	SCREW, Cap, HH, G5, 7/16"-14 x 5"
9	83905793	3	SCREW, HH, G8, 7/16"-14 x 3-1/2"
10	14463881	2	O-RING, -220, CI 7, 1.359" ID x .139" Thk,
11	82853254	2	BOLT, Water Pump
12	85700136	4	SCREW, M8 x 25
13	82034415	1	SENDER, TEMPERATURE,
14	87802822	1	BELT,
15	81862862	1	CLUTCH, , W/Mec. Trans. 20 x 16
16	81868399	1	FAN, , W/Mec. Trans. 20 x 16
17	12605574	4	WASHER, LOCK,
18	16100811	4	NUT, M8, CI 8,
19	87840422	1	SCREW, M12 x 1.75
20	87840420	1	COVER, .688/.698" Center hole
20	87840523	1	COVER, .488/.500" Center hole
21	87840244	1	PULLEY, Incl. 29
22	82880904	1	SCREW,
23	87801838	1	TENSIONER, BELT,
24	82025803	1	DRIVE, Fan
25	82025804	1	FAN,
26	82017881	1	SENSOR,
27	82025881	1	THERMOSTAT, MXM120, MXM130, MXM140, MXM155
28	82033572	3	SCREW,
29	83994896	1	WASHER,

0.34.7/ A WATER PUMP BREAKDOWN

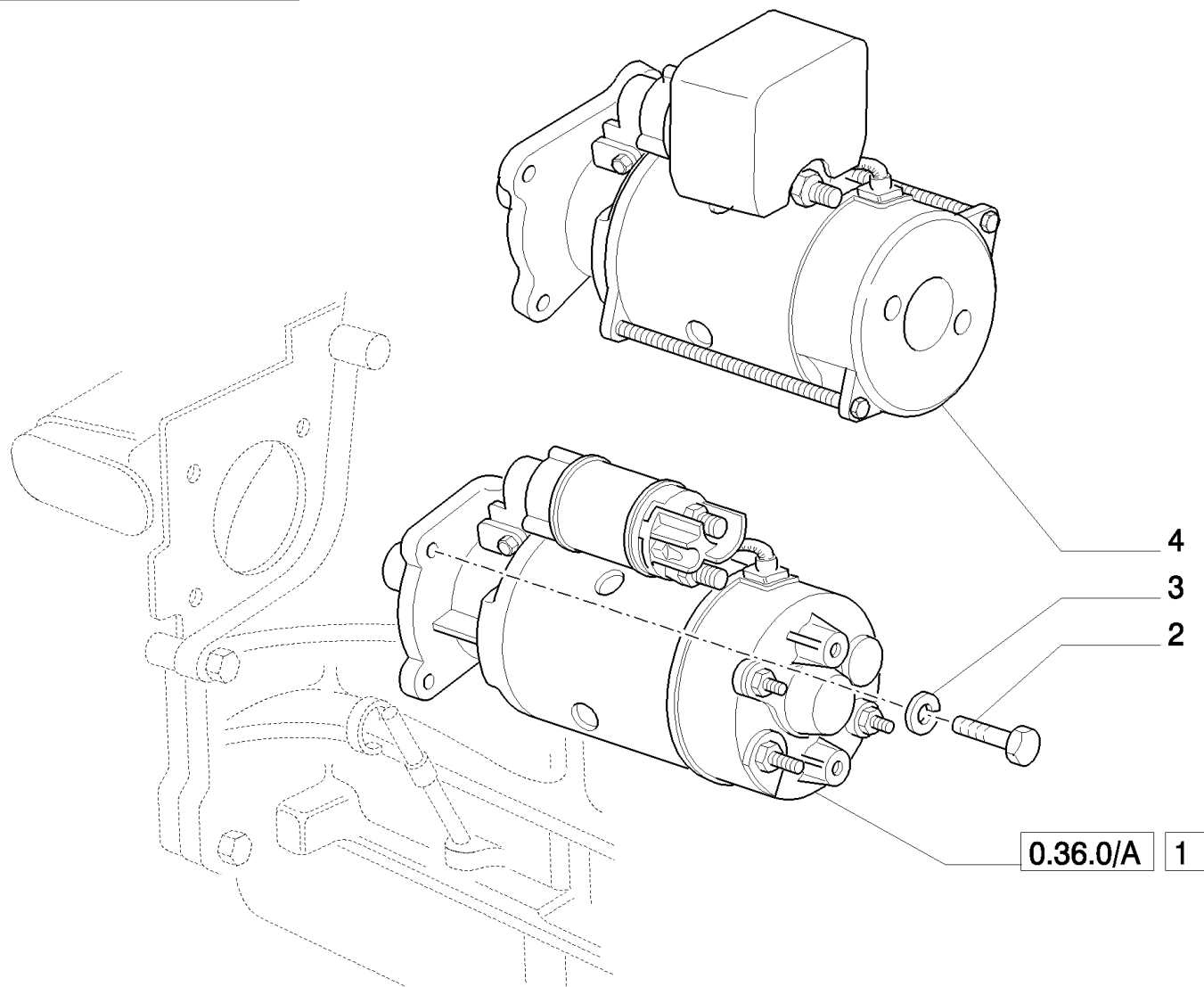
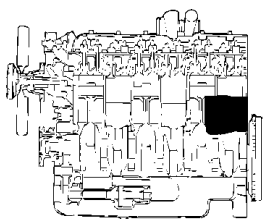


## MXM155 CASE IH TRACTOR (6/02- )

## 0.34.7/ A WATER PUMP BREAKDOWN

сылка	Номер детали	Кол-во	Описание
1	87802491	1	PUMP, WATER, MXM120, MXM130
1	87802490	1	PUMP, WATER, MXM140, MXM155, MXM175, MXM190
2	87802496	1	KIT, WATER PUMP REPAIR,
3	87802499	1	IMPELLER,
4	81868281	1	GASKET,
5	87771786	1	BEARING ASSY,
6	16287221	6	BOLT, Hex Flg, M8 x 25, 8.8,
7	87802661	1	GASKET,
8	87802498	1	PULLEY,
9	87840365	1	TUBE,
10	87841218	1	TUBE, MXM140, MXM155, MXM175, MXM190

0.36.0 STARTER MOTOR

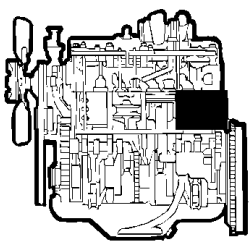


MXM155 CASE IH TRACTOR (6/02- )

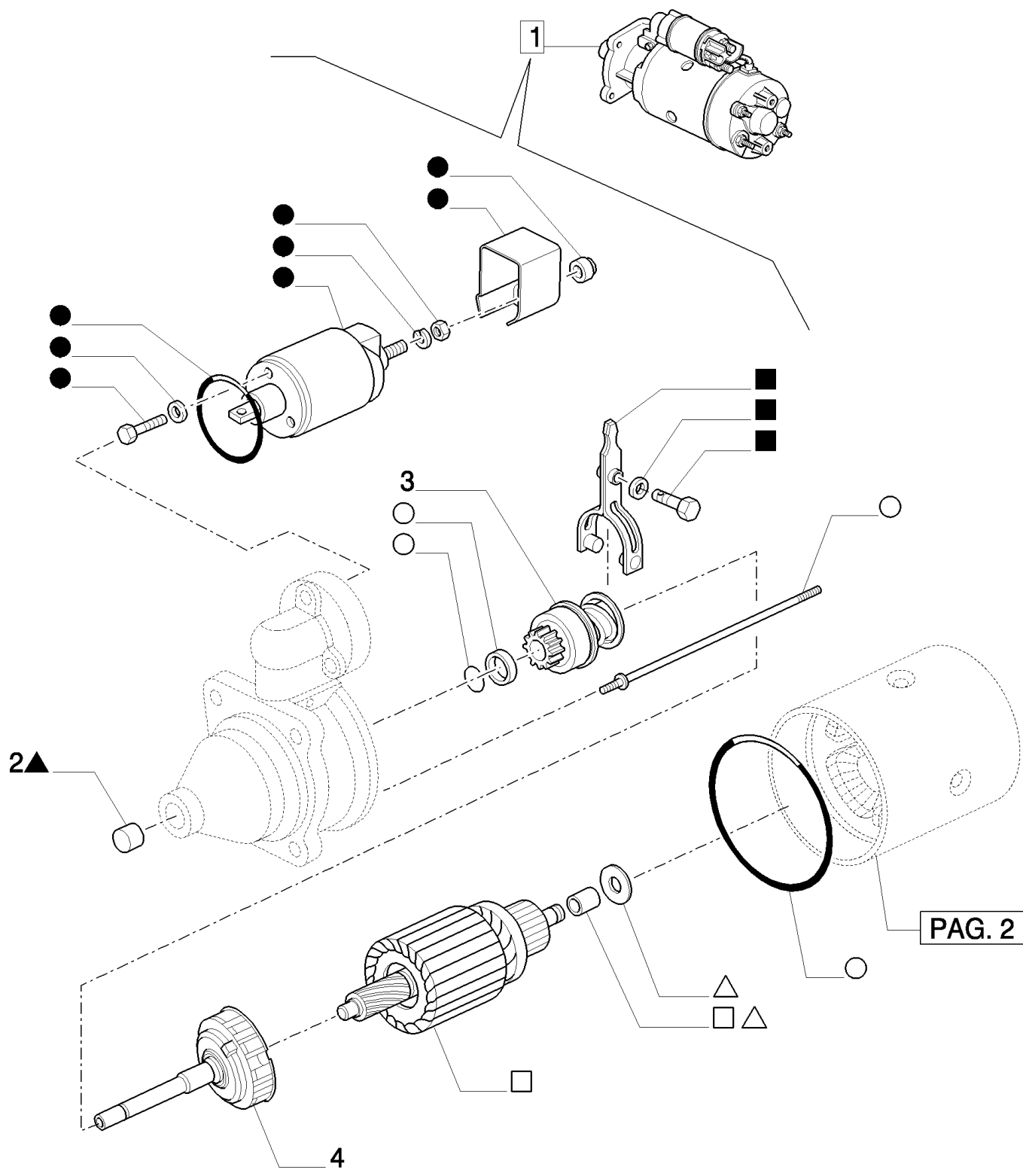
0.36.0 STARTER MOTOR

сылка	Номер детали	Кол-во	Описание
1	82021372	1	MOTOR, STARTER, Assy (Iskra), BSN ACM254451
2	16204524	3	BOLT, Hex, M10 x 35,
3	10516874	3	WASHER, LOCK, M10
4	87318759	1	MOTOR, STARTER, , ASN ACM254452

D5154 Serial N.ACM254452



	= 5	= 8
	= 6	= 9
	= 7	

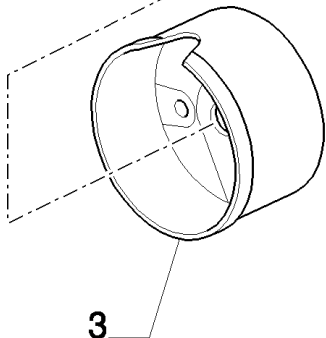
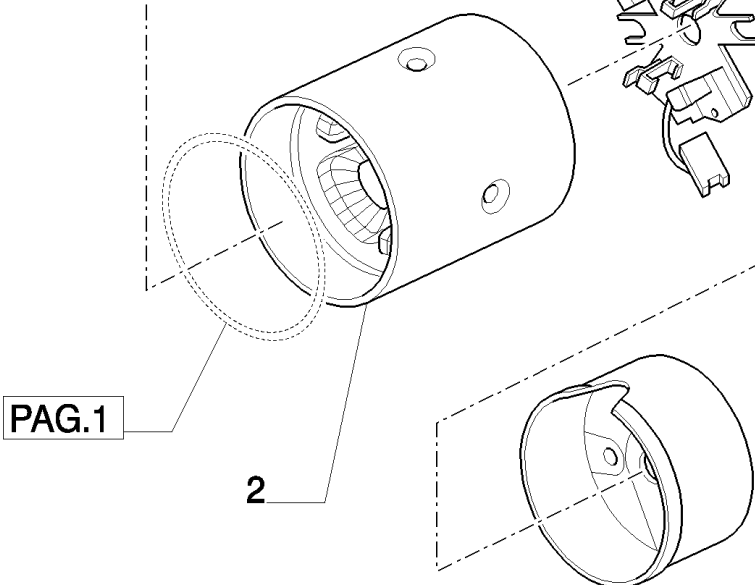
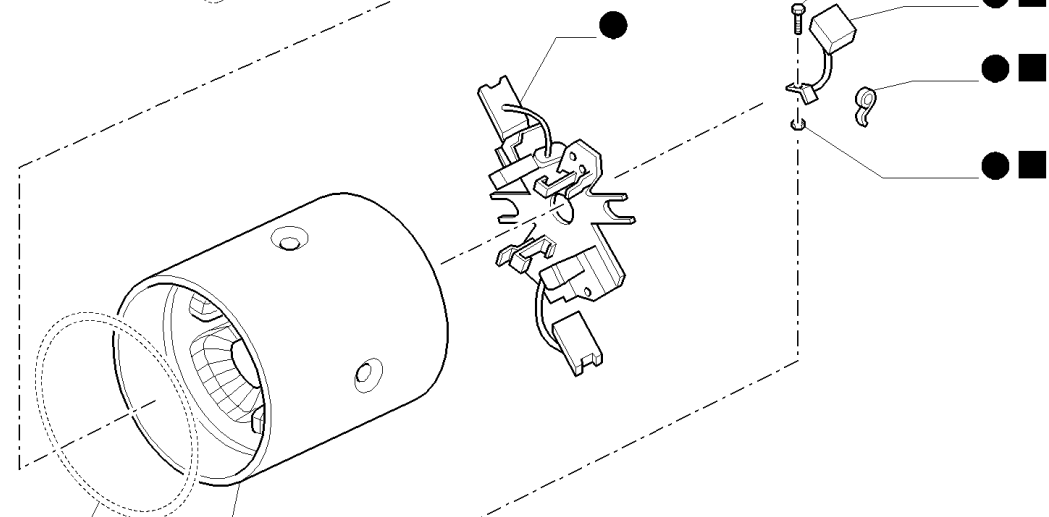
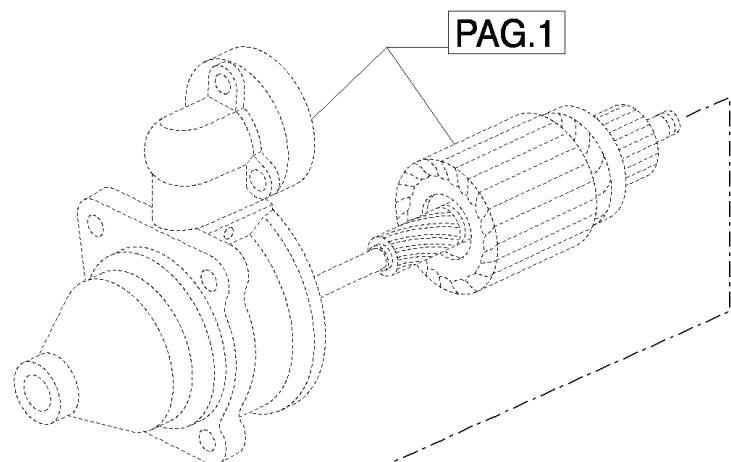
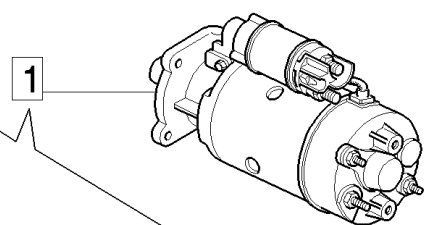
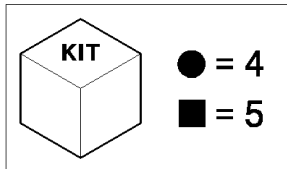
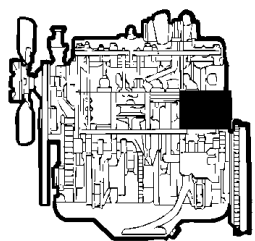


MXM155 CASE IH TRACTOR (6/02- )

0.36.0/ A(01) STARTER MOTOR - PARTS

сылка	Номер детали	Кол-во	Описание
1	82021372	1	MOTOR, STARTER, Iskra
2	82019470	1	KIT, Bushing
3	82019472	1	DRIVE UNIT,
4	82019474	1	GEAR REDUCTION UNIT,
5	82019471	1	SOLENOID,
6	82019475	1	ARMATURE,
7	82019473	1	LEVER,
8	82019477	1	KIT, Bushing & Rod
9	82019476	1	KIT, Bushing



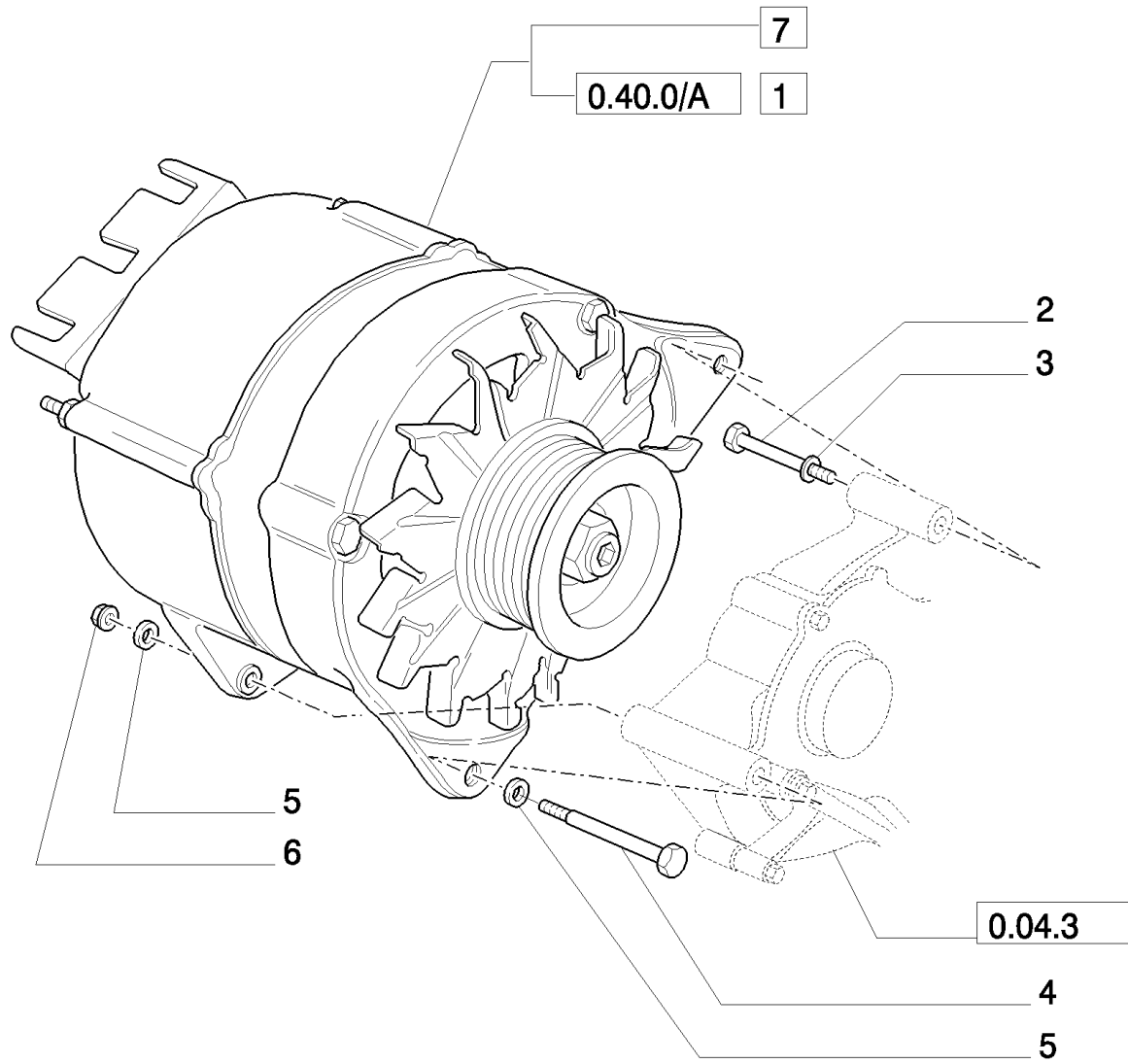
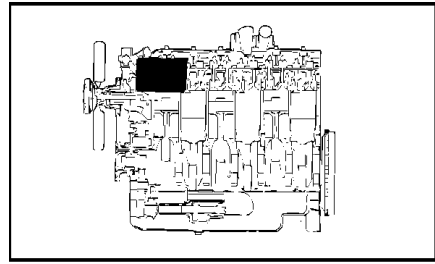


MXM155 CASE IH TRACTOR (6/02- )

0.36.0/ A(02) STARTER MOTOR - PARTS

сылка	Номер детали	Кол-во	Описание
1	82021372	1	MOTOR, STARTER, Iskra
2	82019478	1	STATOR, Bushing
3	82021373	1	COVER,
4	82019479	1	BRUSH HOLDER,
5	82019481	1	KIT,

0.40.0 ALTERNATOR

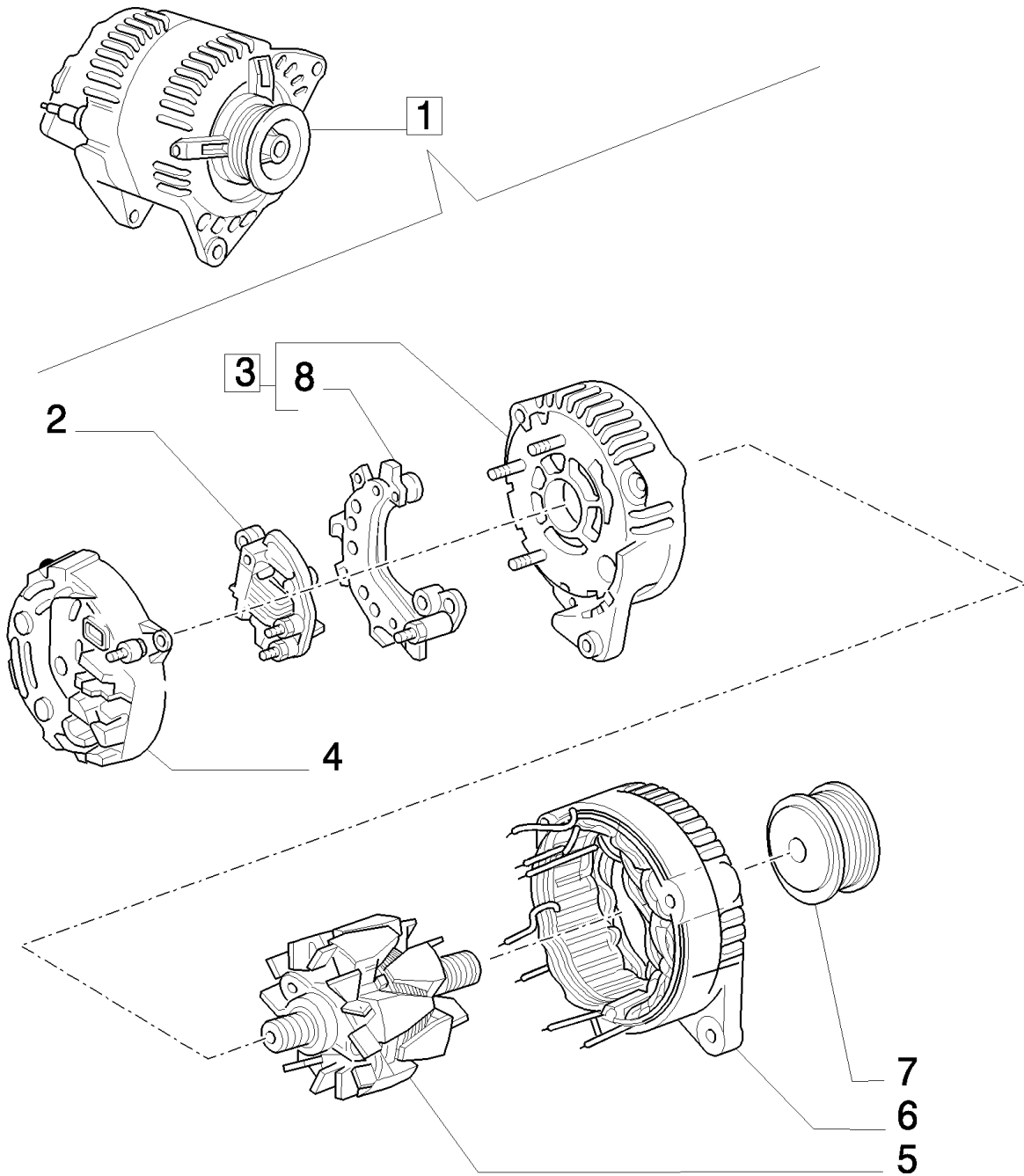
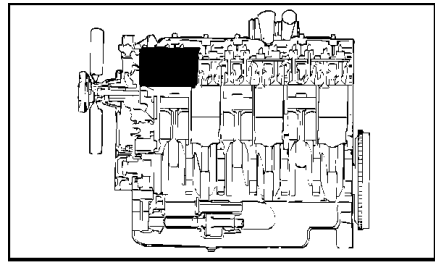


## MXM155 CASE IH TRACTOR (6/02- )

## 0.40.0 ALTERNATOR

сылка	Номер детали	Кол-во	Описание
1	82014508	1	ALTERNATOR, 120A, Magneti Marelli
2	16044321	1	BOLT, Hex, M8 x 55, 8.8,
3	10516674	1	WASHER, LOCK, 5/16", (M8)
4	16202224	1	BOLT, Hex, M8 x 130,
5	10519604	2	WASHER, M8 x 17 x 2,
6	14047311	1	NUT, LOCK, M8 x 1.25,
7	87361085	1	ALTERNATOR, 120A, ISKRA

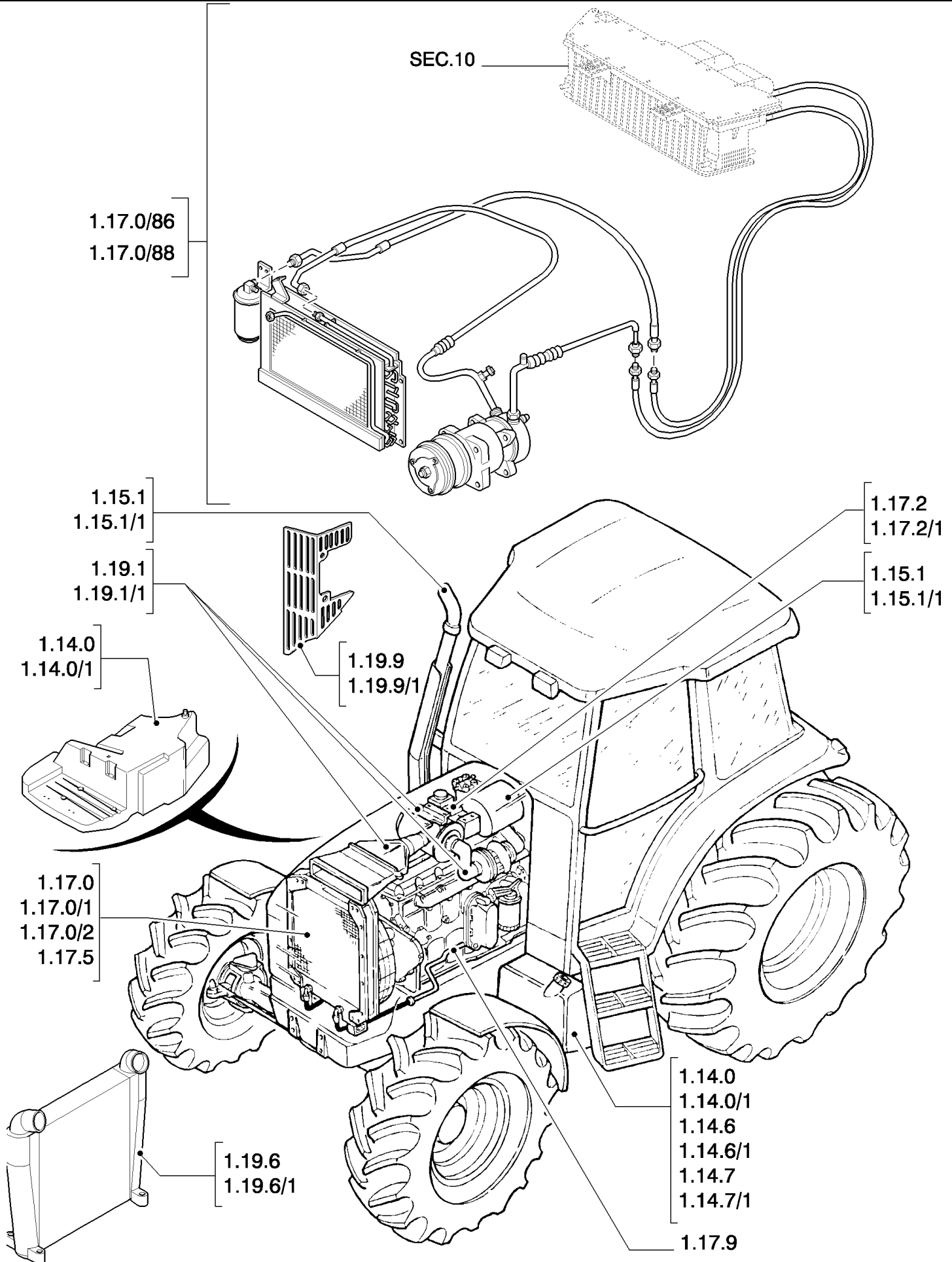
0.40.0/ A ALTERNATOR BREAKDOWN



MXM155 CASE IH TRACTOR (6/02- )

0.40.0/ A ALTERNATOR BREAKDOWN

сылка	Номер детали	Кол-во	Описание
1	82014508	1	ALTERNATOR, 120A, Magneti Marreli
2	82026635	1	REGULATOR, VOLTAGE,
3	82019439	1	RECTIFIER,
4	82010664	1	COVER,
5	82023585	1	ROTOR,
6	82019437	1	COIL,
7	82023580	1	PULLEY,
8	82023584	1	RECTIFIER,



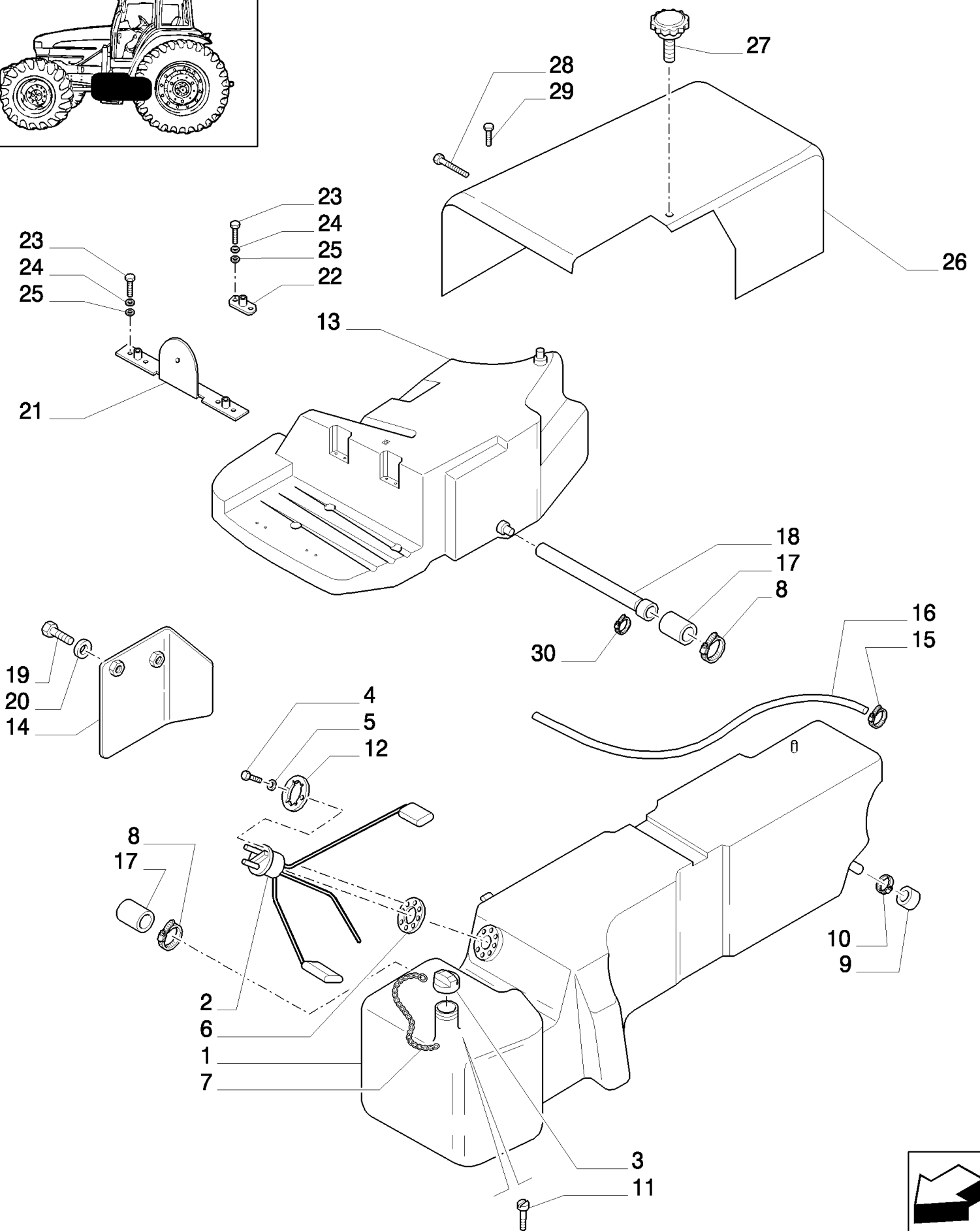
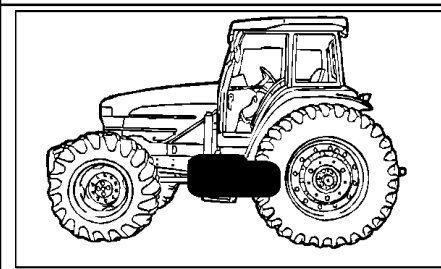
MXM155 CASE IH TRACTOR (6/02- )

1.13.0 SEC. 02 - ENGINE EQUIP.

сылка	Номер детали	Кол-во	Описание



1.14.0(01) FUEL TANK - C5132

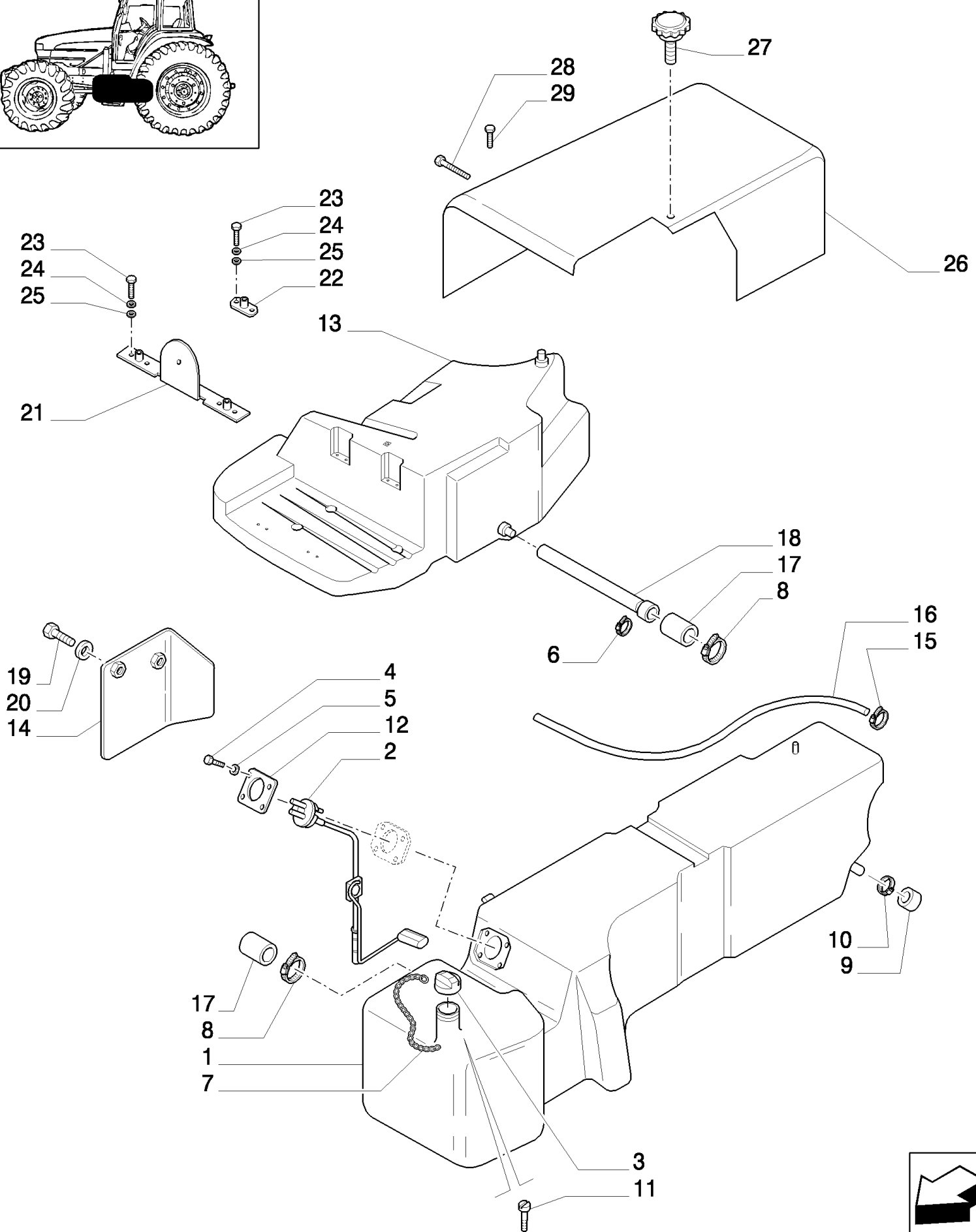
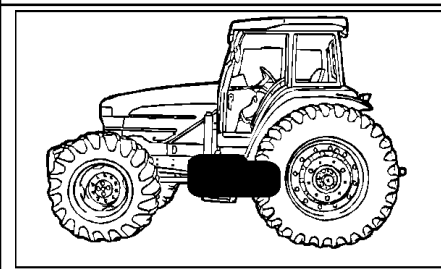


## MXM155 CASE IH TRACTOR (6/02- )

## 1.14.0(01) FUEL TANK - C5132

сылка	Номер детали	Кол-во	Описание
1	82028786	1	FUEL TANK, Main, Includes 2-7, 9-12, BSN ACM216712
1	82034183	1	FUEL TANK, Main, Includes 2-12, 17, BTW ACM216713 & ACM248597
1	87305375	1	FUEL TANK, Main, Includes 2-12, 17, ASN ACM248598
1	87305372	1	FUEL TANK, Main, Includes 2-7, 9-12, W/HI-LO trans. 24 x 12 (40 kph) Equip. 272, ASN ACM248598
2	82023182	1	GAUGE, LEVEL,
3	82011472	1	CAP, FUEL, LOCKABLE, , A Locking Cap
	82012211	1	KEY, LOCK, For 82011472 fuel cap
3	82012210	1	CAP, FILLER, , A Non-Locking Cap
4	10978024	6	BOLT, Hex, M5 x 20, 8.8, Full Thd,
5	10615371	6	WASHER, LOCK, Ext Tooth, M5,
6	82012056	1	GASKET,
7	82012533	1	LINK, CHAIN,
8	82030095	2	CLAMP,
9	83998666	1	CAP,
10	82013014	1	CLAMP, HOSE, , BSN ACM216712
10	82012726	1	CLAMP, HOSE, , ASN ACM216713
11	15687201	3	SCREW, SELF TAP, Cross Pan Hd, M3.5 x 13, M6 x 13
12	82019709	1	RING,
13	82028770	1	FUEL TANK, Aux, Includes 21-25, BSN ACM216712
13	82034184	1	FUEL TANK, Aux, Includes 8, 17, 18, 21-25, ASN ACM216713
13	82032392	1	Aux, Includes 21-25, W/HI-LO trans. 24 x 12 (40 kph) Equip. 272, ASN ACM216713
14	82006792	1	BRACKET,
15	82039341	1	CLAMP, HOSE,
16	82012599	1	HOSE, FLEXIBLE,
17	82034182	2	HOSE,
17	82008485	2	HOSE, MXM120, MXM130, MXM140, W/HI-LO trans. 24 x 12 (40 kph) Equip. 272
18	82015006	1	TUBE,
18	82011031	1	TUBE, MXM120, MXM130, MXM140, W/HI-LO trans. 24 x 12 (40 kph) Equip. 272
19	16043224	2	BOLT, Hex, M8 x 16, 8.8, Full Thd,
20	10516674	2	WASHER, LOCK, 5/16", (M8)
21	82023718	1	BRACKET,
22	82023719	2	BRACKET,
23	10902224	8	BOLT, Hex, M6 x 16, 8.8, Full Thd,
24	14496404	8	WASHER, LOCK, M6 x 12.5
25	12035670	8	WASHER, LOCK, M6
26	82026117	1	COVER,
27	82000463	2	KNOB,
28	15215421	1	BOLT, Hex, M10 x 90, 8.8,
29	15970524	2	BOLT, Hex, M10 x 1.25 x 20, 8.8, Full Thd,
30	82039343	1	CLAMP, HOSE, M6

D5057 Serial N. ACM248598. D5131 Serial N. ACM216713. C5132 Serial N. ACP264689.

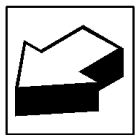
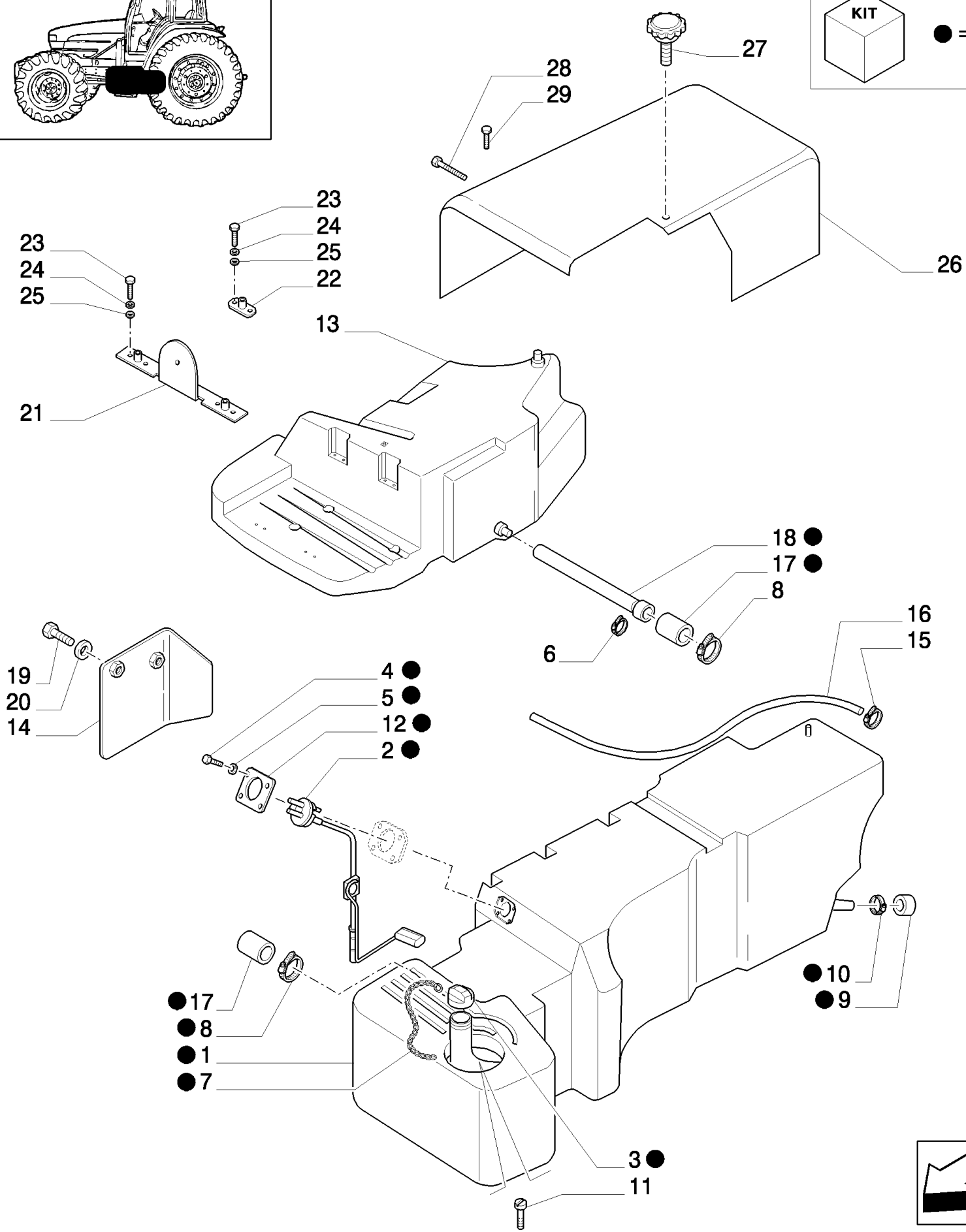
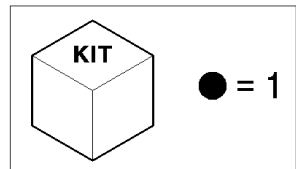
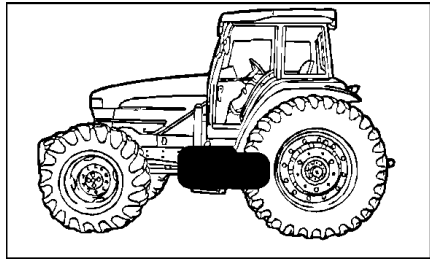


## MXM155 CASE IH TRACTOR (6/02- )

## 1.14.0(01A) FUEL TANK - D5132 - C5317

сылка	Номер детали	Кол-во	Описание
1	87341146	1	FUEL TANK, Main, Incl. 2-5, 7-12, 17
1	87341144	1	FUEL TANK, Main, Incl. 2-5, 7, 9-12, W/HI-LO trans. 24 x 12 (40 kph) Equip. 272
2	87341202	1	SENDER UNIT, Fuel Level
3	82012210	1	CAP, FILLER,
4	10902224	4	BOLT, Hex, M6 x 16, 8.8, Full Thd,
5	10615479	4	WASHER, LOCK, Ext Tooth, M6, Serr,
6	82039343	1	CLAMP, HOSE, M6
7	82012533	1	LINK, CHAIN,
8	82030095	2	CLAMP,
9	83998666	1	CAP,
10	82012726	1	CLAMP, HOSE,
11	15687201	3	SCREW, SELF TAP, Cross Pan Hd, M3.5 x 13, M6 x 13
12	87341216	1	RING,
13	82034184	1	FUEL TANK, Aux, Incl. 8, 17, 18, 21-25
13	82032392	1	Aux, Incl. 21-25, W/HI-LO trans. 24 x 12 (40 kph) Equip. 272
14	82006792	1	BRACKET,
15	82039341	1	CLAMP, HOSE,
16	82012599	1	HOSE, FLEXIBLE,
17	82034182	2	HOSE,
17	82008485	2	HOSE, MXM120, MXM130, MXM140, W/HI-LO trans. 24 x 12 (40 kph) Equip. 272
18	82015006	1	TUBE,
18	82011031	1	TUBE, MXM120, MXM130, MXM140, W/HI-LO trans. 24 x 12 (40 kph) Equip. 272
19	16043224	2	BOLT, Hex, M8 x 16, 8.8, Full Thd,
20	10516674	2	WASHER, LOCK, 5/16", (M8)
21	82023718	1	BRACKET,
22	82023719	2	BRACKET,
23	10902224	8	BOLT, Hex, M6 x 16, 8.8, Full Thd,
24	14496404	8	WASHER, LOCK, M6 x 12.5
25	12035670	8	WASHER, LOCK, M6
26	82026117	1	COVER,
27	82000463	2	KNOB,
28	15215421	1	BOLT, Hex, M10 x 90, 8.8,
29	15970524	2	BOLT, Hex, M10 x 1.25 x 20, 8.8, Full Thd,

D5132 Serial N. ACP264690. C5317 Serial N. ACM267421.



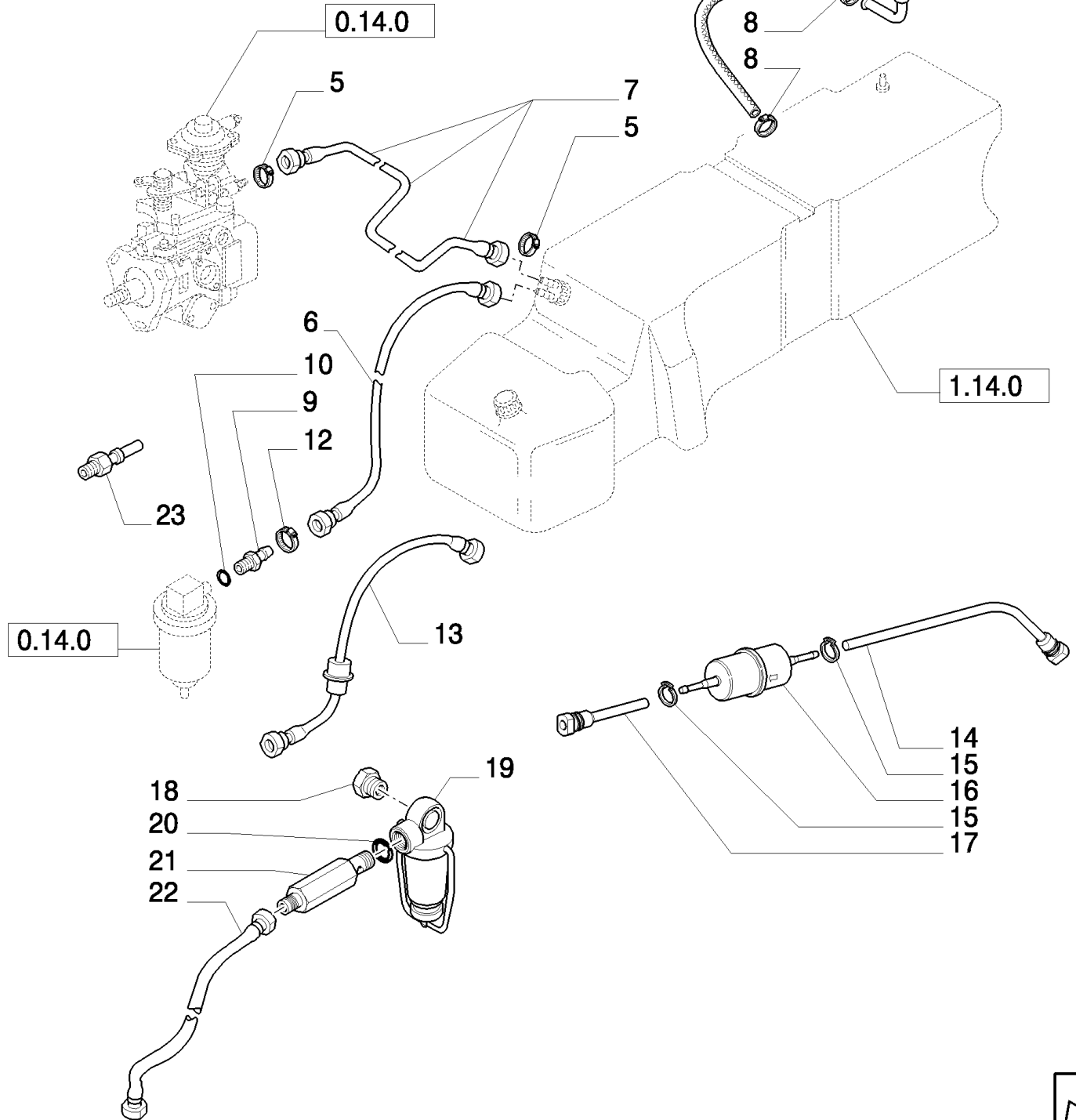
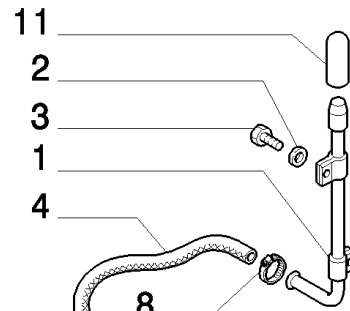
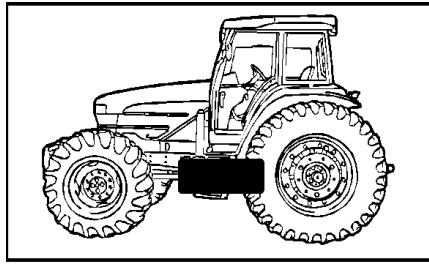
## MXM155 CASE IH TRACTOR (6/02- )

## 1.14.0(01B) FUEL TANK - D5317

сылка	Номер детали	Кол-во	Описание
1	87381884	1	FUEL TANK, Assy
1	87341144	1	FUEL TANK, Main, Incl. 2-5, 7, 9-12, W/HI-LO trans. 24 x 12 (40 kph) Equip. 272
2	87341202	1	SENDER UNIT,
3	82012210	1	CAP, FILLER,
4	10902224	4	BOLT, Hex, M6 x 16, 8.8, Full Thd,
5	10615479	4	WASHER, LOCK, Ext Tooth, M6, Serr,
6	82039343	1	CLAMP, HOSE, M6
7	82012533	1	LINK, CHAIN,
8	82036462	2	CLAMP,
9	83998666	1	CAP,
10	82012726	1	CLAMP, HOSE,
11	15687201	3	SCREW, SELF TAP, Cross Pan Hd, M3.5 x 13, M6 x 13
12	87341216	1	RING,
13	82032393	1	Aux, Incl. 8, 17, 18, 21-25
13	82032392	1	Aux, Incl. 21-25, W/HI-LO trans. 24 x 12 (40 kph) Equip. 272
14	82006792	1	BRACKET,
15	82039341	1	CLAMP, HOSE,
16	82012599	1	HOSE, FLEXIBLE,
17	82034182	2	HOSE, MM140
17	82008485	2	HOSE, MM80, MXM120, MXM130, MXM140, W/HI-LO trans. 24 x 12 (40 kph) Equip. 272
18	82015006	1	TUBE,
18	82011031	1	TUBE, MXM120, MXM130, MXM140, W/HI-LO trans. 24 x 12 (40 kph) Equip. 272
18	87341145	1	FUEL TANK,
19	16043224	2	BOLT, Hex, M8 x 16, 8.8, Full Thd,
20	10516674	2	WASHER, LOCK, 5/16", (M8)
21	82037439	1	
22	82037461	2	
23	10902224	8	BOLT, Hex, M6 x 16, 8.8, Full Thd,
24	14496401	8	WASHER, LOCK,
25	10571579	8	WASHER, LOCK, M6,
26	82026117	1	COVER,
27	82000463	2	KNOB,
28	15215421	1	BOLT, Hex, M10 x 90, 8.8,
29	15970524	2	BOLT, Hex, M10 x 1.25 x 20, 8.8, Full Thd,

D5317 Serial N.ACM267422

1.14.6 FUEL LINES



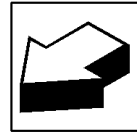
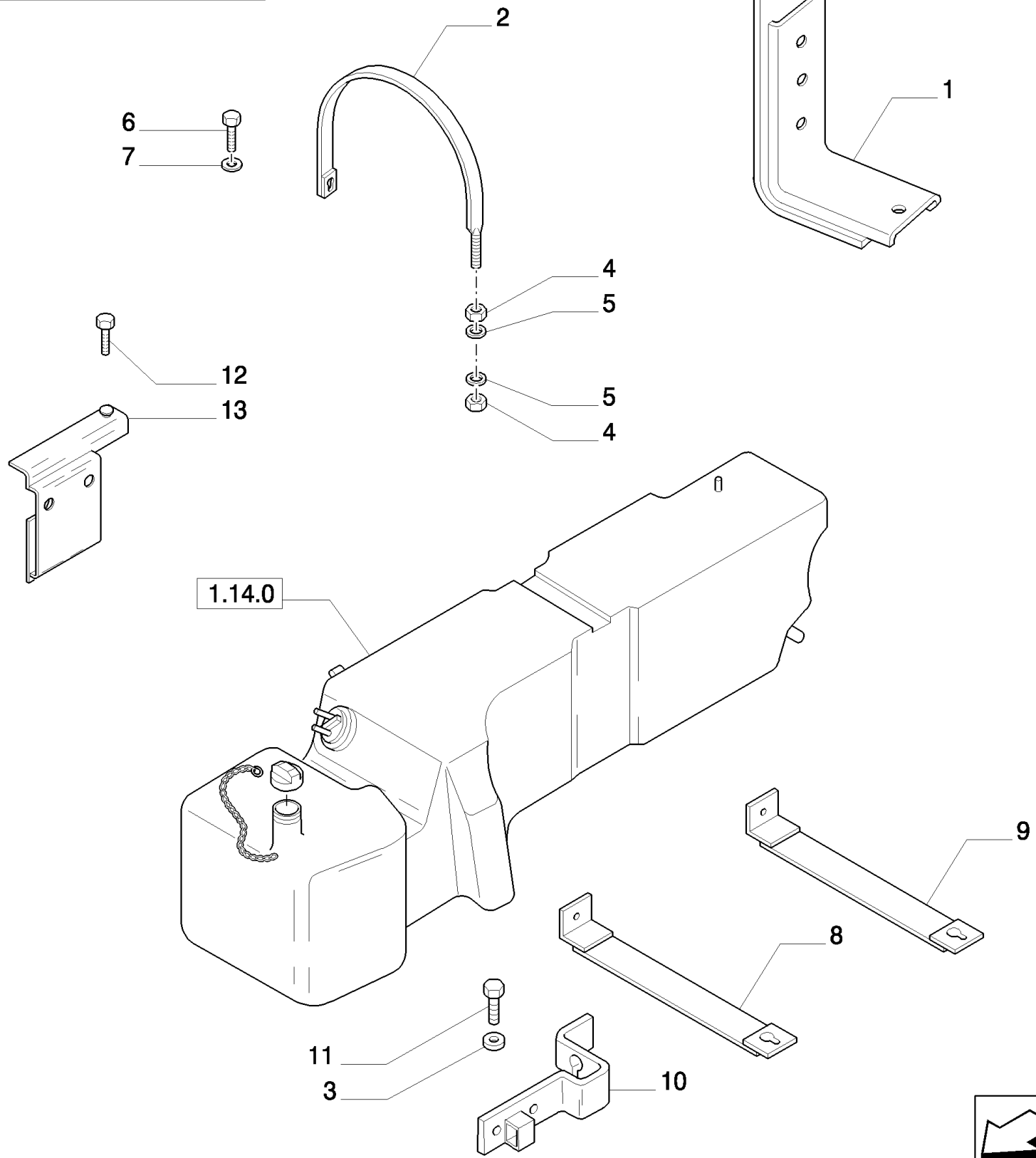
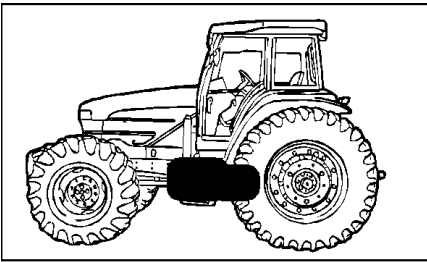
## MXM155 CASE IH TRACTOR (6/02- )

## 1.14.6 FUEL LINES

сылка	Номер детали	Кол-во	Описание
1	82023228	1	TUBE,
2	14496504	2	WASHER, M8 x 17 x 1.6,
3	16043024	2	BOLT, Hex, M8 x 12, 8.8, Full Thd,
4	82023229	1	HOSE, FLEXIBLE,
5	80529070	2	STRAP, CABLE,
6	82012602	1	HOSE, FLEXIBLE, , -C5254
7	82031644	1	PIPE, RETURN, , BSN ACM263989
7	87389056	1	PIPE, RETURN, , ASN ACM263990
7	82013691	1	HOSE, FLEXIBLE, , W/Equip. 244, 245/1, 440, 440/2, 444, 714/1, Joystick for Loader
8	82039343	2	CLAMP, HOSE,
9	82012598	1	FITTING, , -C5398
10	83904845	1	O-RING, 7/16" ID x .07 Thk
11	82012157	1	PLUG,
12	82039341	2	CLAMP, HOSE,
13	87374673	1	HOSE, FLEXIBLE, , D5254-C5328
14	87393999	1	HOSE, FLEXIBLE, , D5328-C5398
15	87398435	2	CLAMP, , D5328-C5398
16	87329736	1	FILTER, FUEL, , D5328-C5398
17	87393998	1	HOSE, FLEXIBLE, , D5328-C5398
18	10182817	1	BOLT, BANJO, Banjo, M14 x 1.5, 2-Way, , D5398-
19	87592298	1	FILTER, FUEL, ASSY., Biodiesel compatible, D5398-
20	87590622	3	GASKET, , D5398-
21	87580713	1	CONNECTOR, HYD., , D5398-
22	87592441	1	TUBE, , D5398-
23	87580729	1	FITTING, , D5398-



1.14.7(01) FUEL TANK SUPPORT

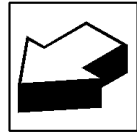
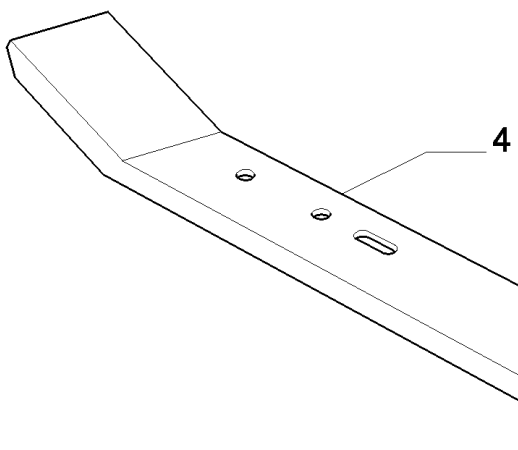
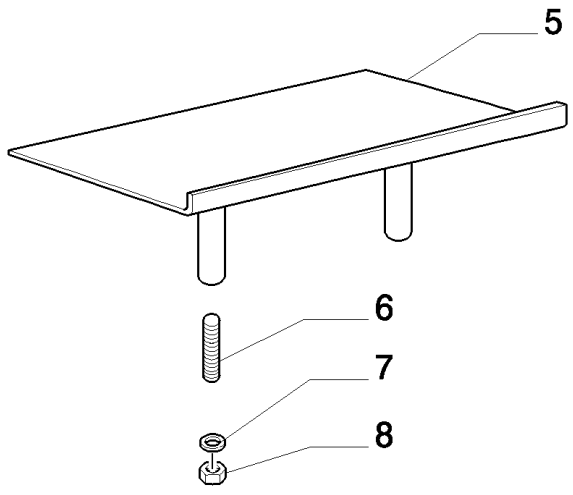
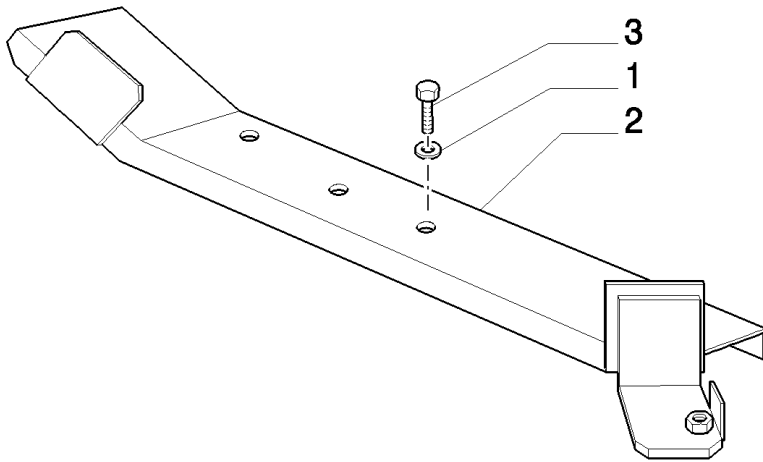
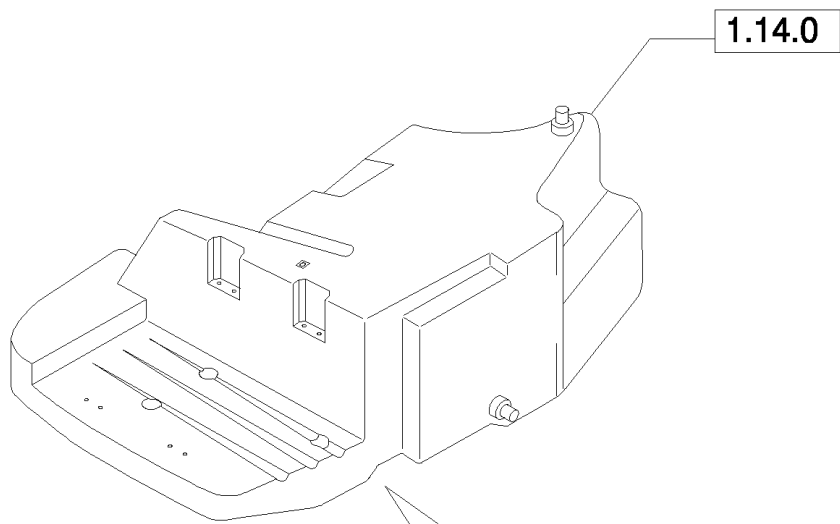
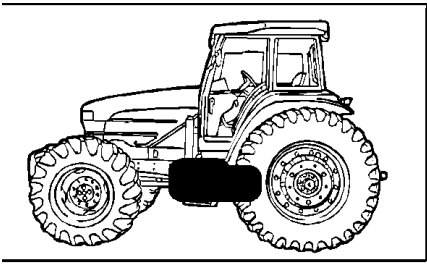


## MXM155 CASE IH TRACTOR (6/02- )

## 1.14.7(01) FUEL TANK SUPPORT

сылка	Номер детали	Кол-во	Описание
1	82020908	1	SUPPORT,
1	82008477	1	SUPPORT, MXM120, MXM130, MXM140, W/HI-LO Trans. 24 x 12 (40 kph-4WD) Equip. 272
2	82022088	1	STRAP, SECURING, 716 mm lg., plus 115 thread
2	82022087	1	STRAP, SECURING, MXM120, MXM130, MXM140, W/HI-LO trans. 24 x 12 (40 kph-4WD) Equip. 272 866 mm lg., plus 115 thread
3	10516874	2	WASHER, LOCK, M10
4	11701721	2	NUT, M10, CI 10,
5	14496621	3	WASHER, M10 x 21 x 2,
6	15540321	2	BOLT, Hex, M12 x 1.25 x 25, 8.8, Full Thd,
7	14496704	2	WASHER, 12 x 24 x 2.5 mm
8	82008429	1	STRAP, SECURING, 551 mm, W/Suspension Cab
9	82008425	1	STRAP, SECURING, 521 mm
10	82012292	1	BRACKET,
11	15215421	3	BOLT, Hex, M10 x 90, 8.8,
12	15970524	2	BOLT, Hex, M10 x 1.25 x 20, 8.8, Full Thd,
13	82007152	1	SUPPORT,

1.14.7(02) FUEL TANK SUPPORT

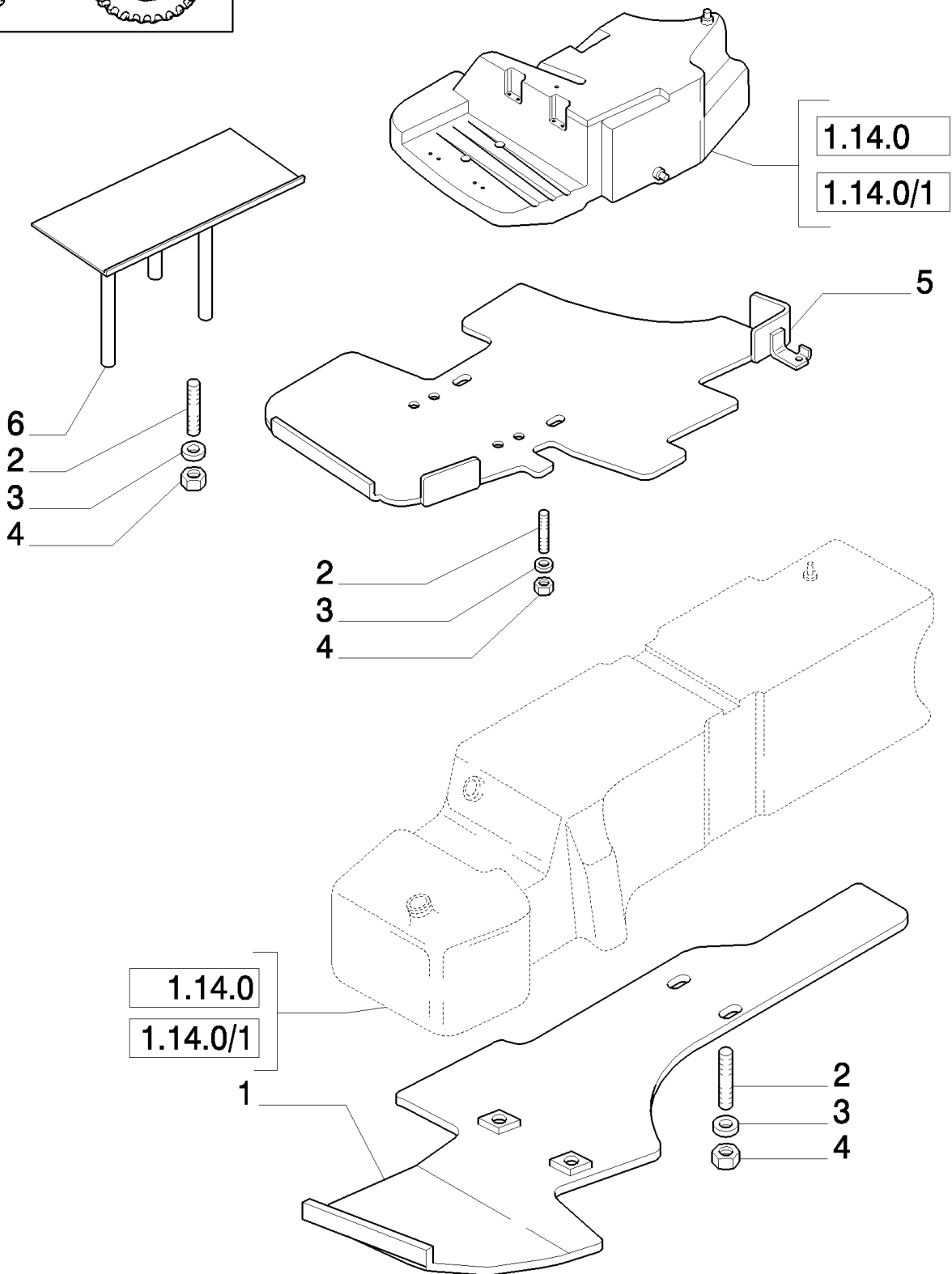
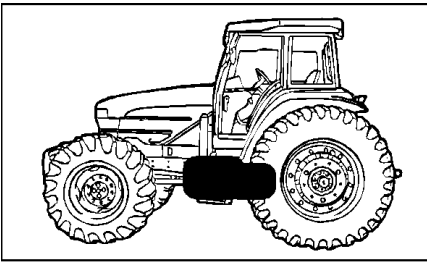


## MXM155 CASE IH TRACTOR (6/02- )

## 1.14.7(02) FUEL TANK SUPPORT

сылка	Номер детали	Кол-во	Описание
1	14496621	4	WASHER, M10 x 21 x 2,
2	82030453	1	SUPPORT,
3	15970524	4	BOLT, Hex, M10 x 1.25 x 20, 8.8, Full Thd,
4	82028782	1	SUPPORT,
5	82027187	3	SUPPORT,
6	82008683	2	STUD,
7	12626204	2	WASHER, M10 x 25 x 3,
8	12574511	1	NUT, LOCK, M10 x 1.25, Cl 8,

1.14.7/02 (VAR.131) FIRE SHIELD

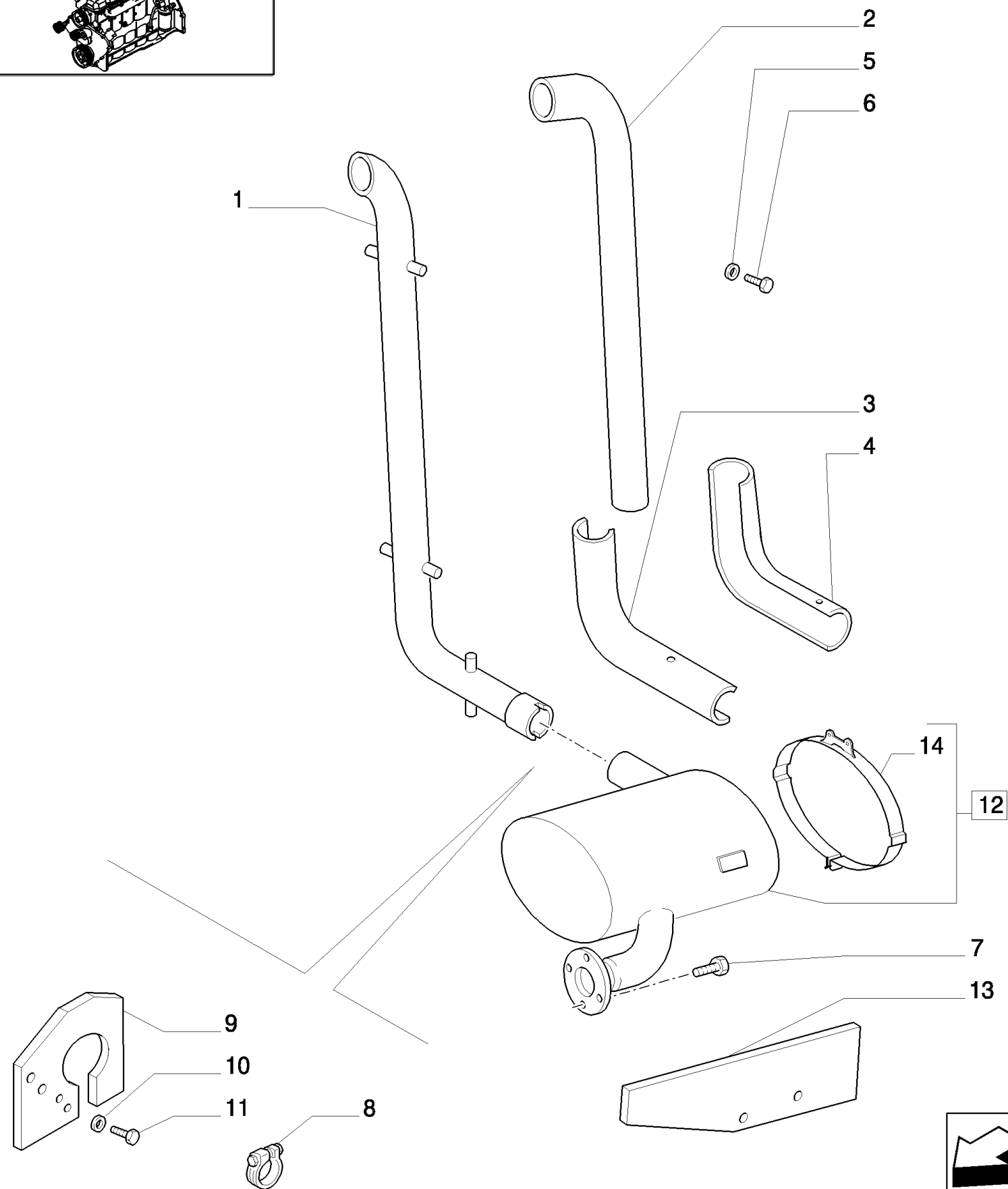
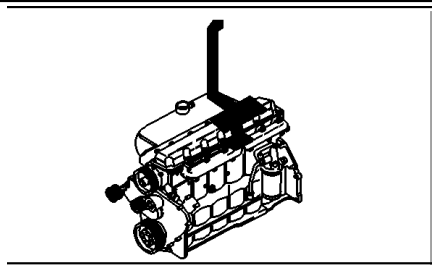


## MXM155 CASE IH TRACTOR (6/02- )

## 1.14.7/02 (VAR.131) FIRE SHIELD

сылка	Номер детали	Кол-во	Описание
1	82019899	1	GUARD, MXM120, MXM130, MXM140, MXM155
1	82023804	1	GUARD, MXM175, MXM190
2	82008683	6	STUD,
3	12626204	6	WASHER, M10 x 25 x 3,
4	12574511	6	NUT, LOCK, M10 x 1.25, Cl 8,
5	82030455	1	SHIELD, MXM175, MXM190
5	82030451	1	GUARD, MXM120, MXM130, MXM140, MXM155
6	82027187	1	SUPPORT, MXM120, MXM130, MXM140, MXM155
6	82027201	1	SUPPORT, MXM175, MXM190

1.15.1 SILENCER (MUFFLER)



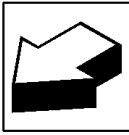
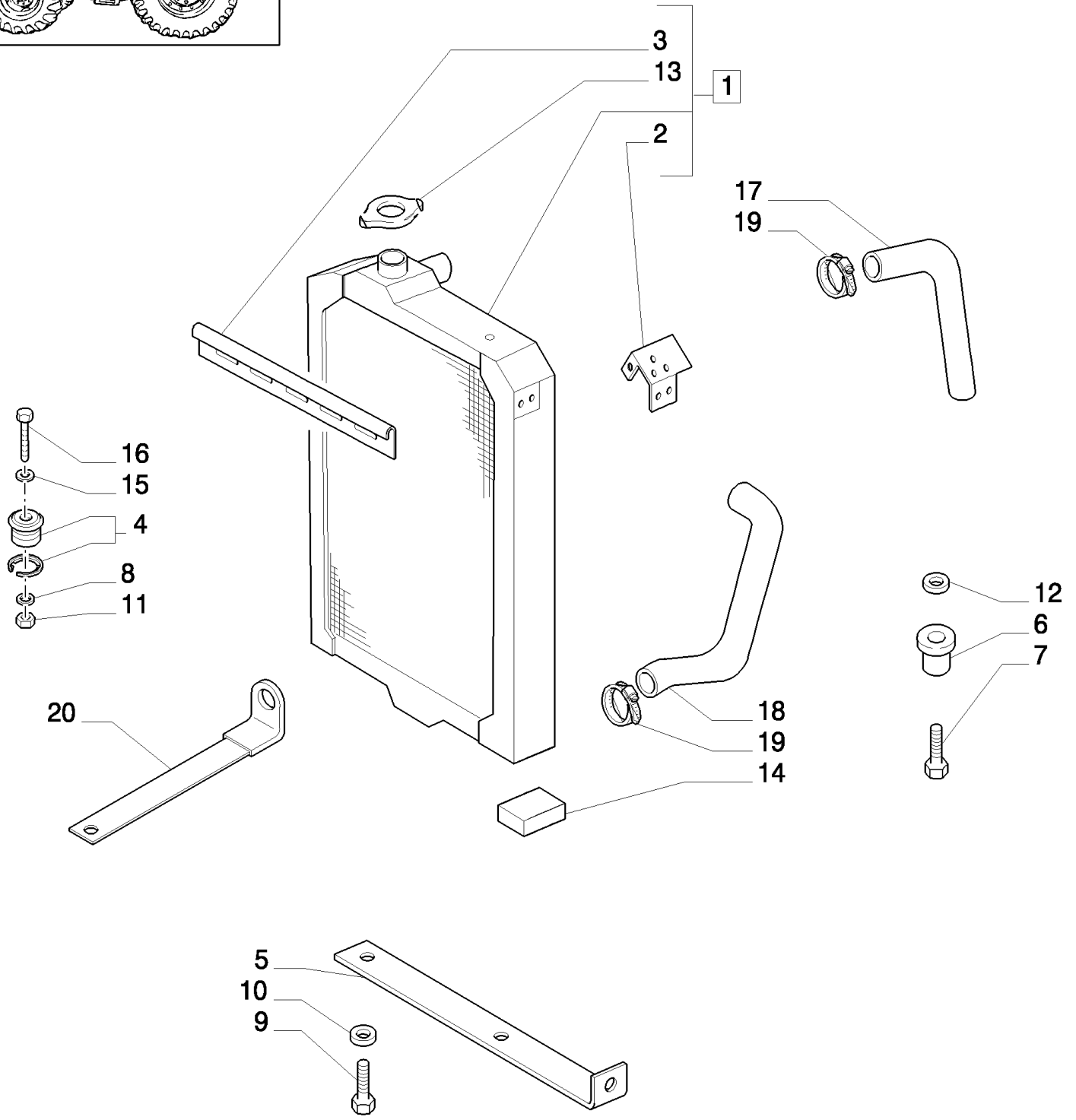
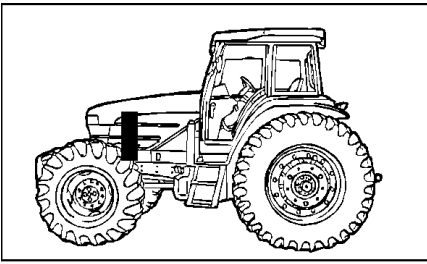
## MXM155 CASE IH TRACTOR (6/02- )

## 1.15.1 SILENCER (MUFFLER)

сылка	Номер детали	Кол-во	Описание
1	82025974	1	PIPE, EXHAUST SYSTEM, Incl. 2, 3, 4
2	82026030	1	SHIELD, Upper
3	82026032	1	SHIELD, Front lower
4	82026034	1	SHIELD, Rear lower
5	10523401	8	WASHER, M6 x 18 x 2,
6	10902124	8	BOLT, Hex, M6 x 14, 8.8, Full Thd,
7	11106221	7	BOLT, Hex, M10 x 25, 8.8, Full Thd,
8	82015888	1	CLAMP,
9	82033469	1	BRACKET,
10	83995286	2	BUSHING, D=12
10	12626204	2	WASHER, M10 x 25 x 3,
11	80300388	2	SCREW, M12 x 35
11	11106424	2	BOLT, Hex, M10 x 30, 8.8, Full Thd,
12	82022922	1	MUFFLER, Assy
13	82032519	1	GUARD,
14	82037065	1	COLLAR,



1.17.0/01 RADIATOR & RELATED PARTS

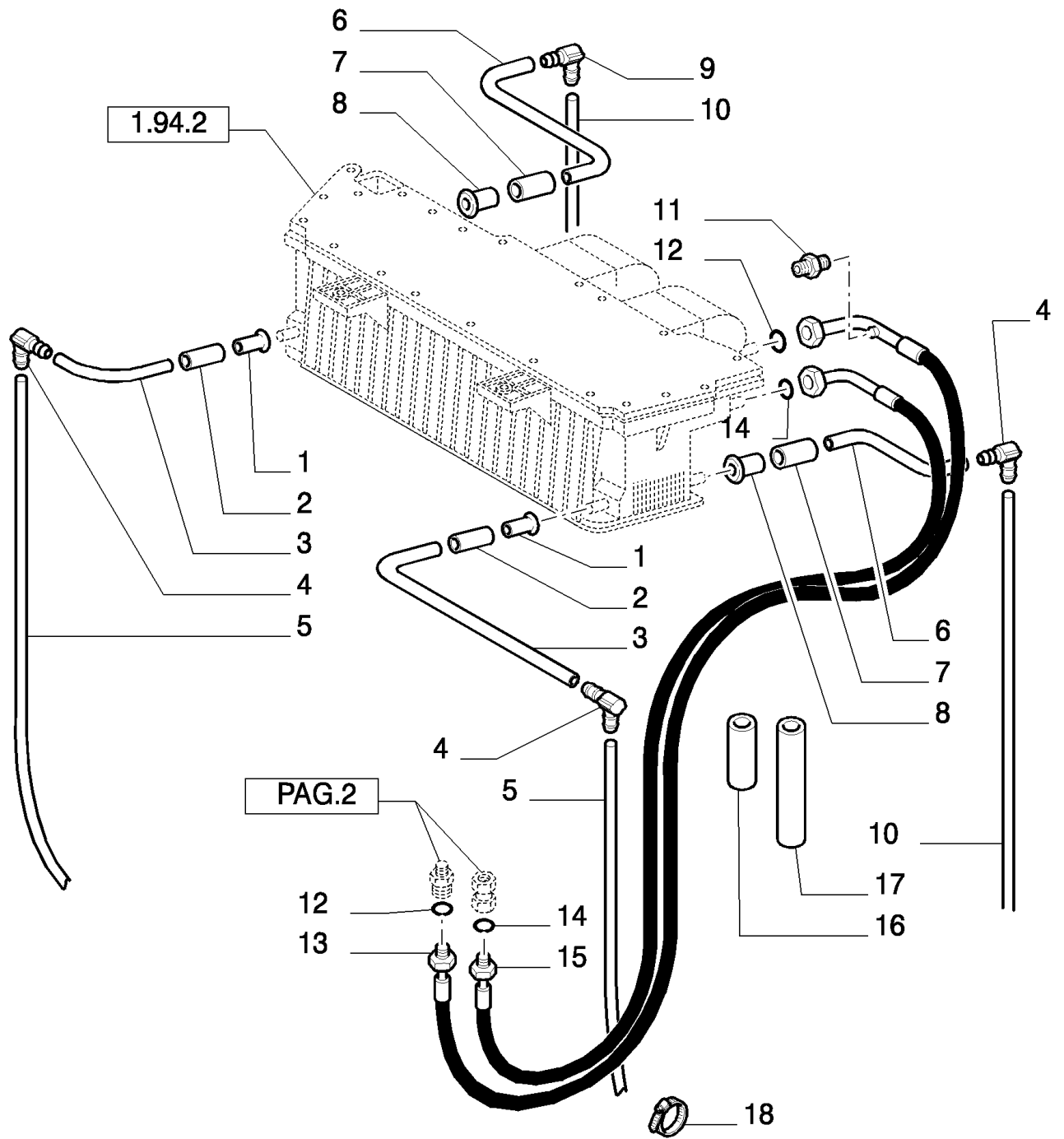
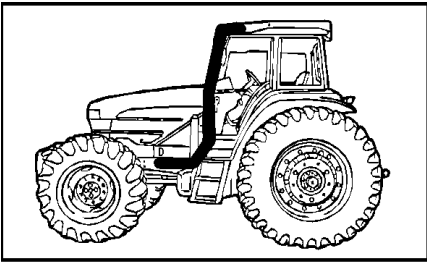


## MXM155 CASE IH TRACTOR (6/02- )

## 1.17.0/01 RADIATOR &amp; RELATED PARTS

сылка	Номер детали	Кол-во	Описание
1	82033523	1	RADIATOR, , -C4883
1	82038687	1	RADIATOR, , D4883-ACM245946
1	87306753	1	RADIATOR, , BTW ACM245947 & ACM256705
1	87352191	1	RADIATOR, , ASN ACM256706
2	82026485	1	BRACKET, , -C4883
3	82019499	4	GUIDE, , -C4883
4	82023389	2	ISOLATOR,
5	82032761	1	BRACKET, , BSN 217254
6	82009429	1	BUSHING,
7	16040821	1	BOLT, Hex, M10 x 40, 8.8, Full Thd,
8	85700654	1	WASHER, M10 x 20 x 2.5
9	16043224	1	BOLT, Hex, M8 x 16, 8.8, Full Thd,
10	10519604	1	WASHER, M8 x 17 x 2,
11	11701721	1	NUT, M10, CI 10,
12	83904166	1	WASHER, M10
13	82002652	1	CAP, RADIATOR, , -C4883
13	87308289	1	CAP, RADIATOR, , D4883-ACM245946
13	87306788	1	CAP, RADIATOR, , ASN ACM245946
14	82030145	2	SEAL,
15	5102702	2	WASHER,
16	11343821	2	BOLT, Hex, M10 x 1.25 x 50, 8.8,
17	82028240	1	HOSE, Upper
18	82028242	1	HOSE, Lower
19	82012728	4	CLAMP, HOSE,
20	82033278	1	SUPPORT, , ASN 217255

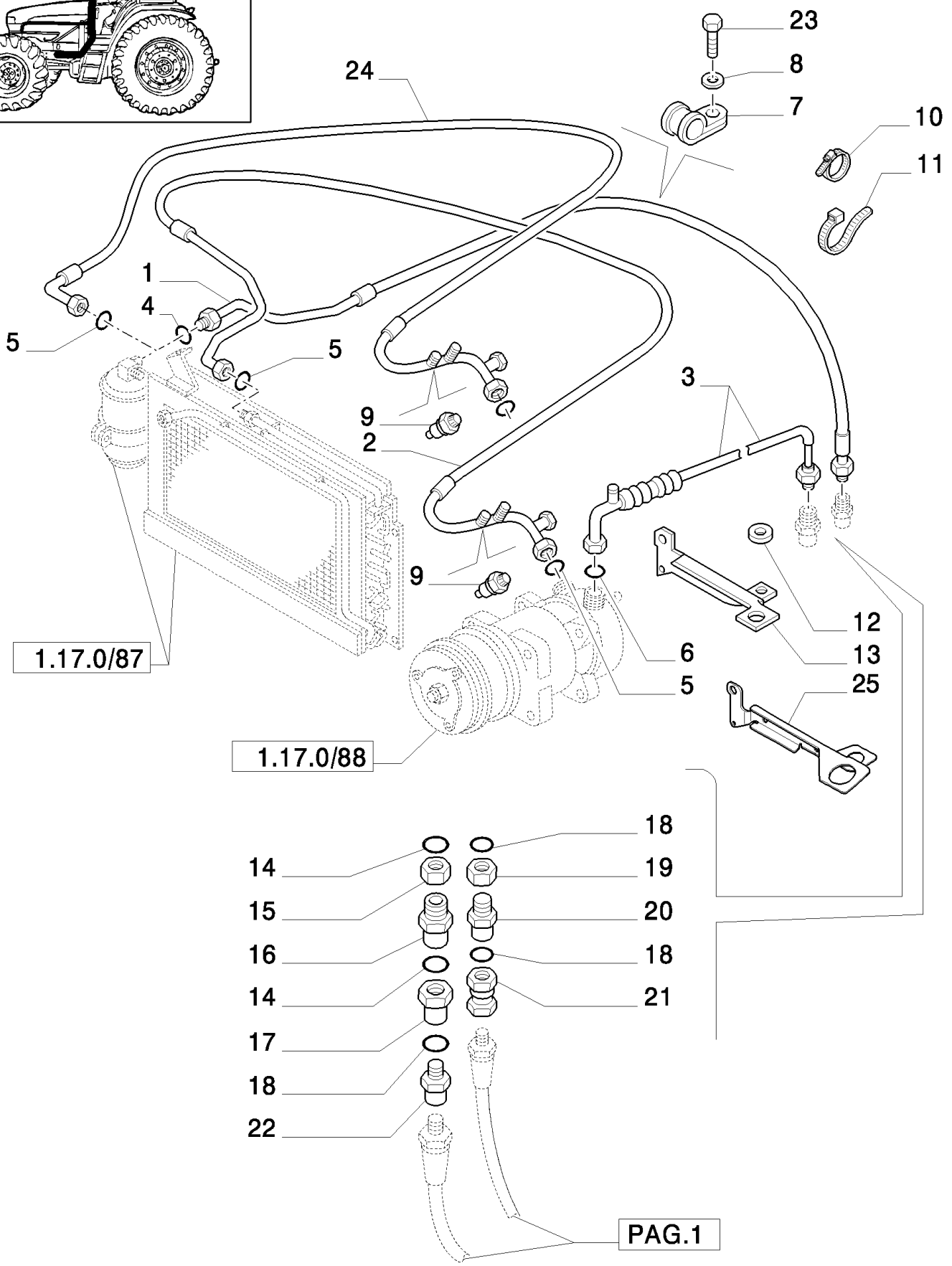
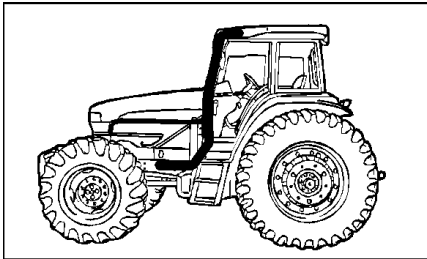
D4855 Serial N.217255 D4883 After Date 07/11/03 D5077 Serial N.ACM245947 D5231 Serial N.ACM256706



## MXM155 CASE IH TRACTOR (6/02- )

## 1.17.0/86(01) PIPES FOR AIR CONDITIONING

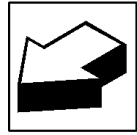
сылка	Номер детали	Кол-во	Описание
1	89832278	2	RIVET,
2	83994832	2	FITTING,
3	83994816	1	HOSE,
4	83994810	1	ELBOW,
5	82011448	1	HOSE, FLEXIBLE, A/C Evaporator Drain
6	83994825	1	HOSE,
7	83994831	2	FITTING,
8	89832204	2	RIVET,
9	83994807	1	ELBOW,
10	83994822	1	HOSE, FLEXIBLE,
11	87356362	1	SWITCH, PRESSURE, A/C Clutch Cylinder
12	82000791	2	O-RING, .551" ID x .070" Thk
13	82014296	1	HOSE, FLEXIBLE, MXM120, MXM130, MXM140, MXM155, BSN ACM269617
13	87389799	1	HOSE, FLEXIBLE, MXM120, MXM130, MXM140, MXM155, ASN ACM269618
13	82019421	1	HOSE, FLEXIBLE, MXM175, MXM190, BSN ACM269617
13	87382992	1	HOSE, FLEXIBLE, MXM175, MXM190, ASN ACM269618
14	82000793	2	O-RING, 5/16" ID x .070" Thk, Green
15	82019400	1	HOSE, FLEXIBLE, MXM120, MXM130, MXM140, MXM155, BSN ACM269617
15	87382948	1	HOSE, FLEXIBLE, MXM120, MXM130, MXM140, MXM155, ASN ACM269618
15	82019420	1	HOSE, FLEXIBLE, MXM175, MXM190, BSN ACM269617
15	87389808	1	HOSE, FLEXIBLE, MXM175, MXM190, ASN ACM269618
16	81871638	1	INSULATION, FOAM,
17	82002607	1	INSULATION, FOAM,
18	5112712	AR	CLIP, HOSE, M4.8 x 283,



1.17.0/87

1.17.0/88

PAG.1



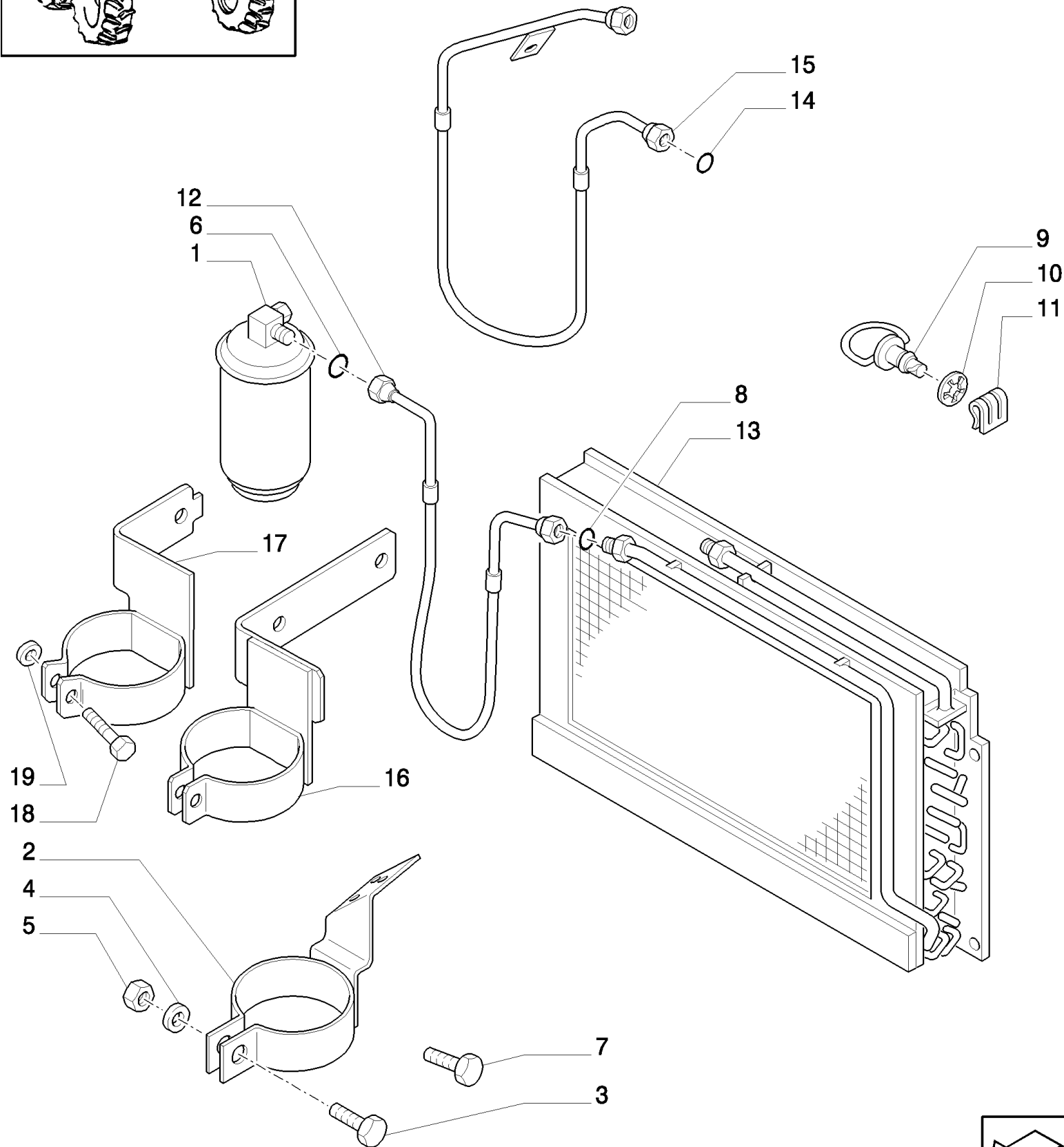
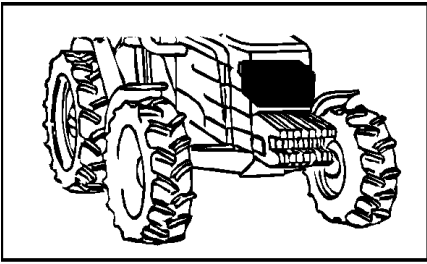
## MXM155 CASE IH TRACTOR (6/02- )

## 1.17.0/86(02) PIPES FOR AIR CONDITIONING

сылка	Номер детали	Кол-во	Описание
1	82026488	1	HOSE, Dehydrator to Evaporator, MXM120, MXM130, MXM140, MXM155, BSN 217254
1	82026494	1	HOSE, Dehydrator to Evaporator, MXM175, MXM190, BSN 217254
1	82033692	1	TUBE, Dehydrator to Evaporator, ASN 217255
2	82026487	1	HOSE, Compressor to Condenser, MXM120, MXM130, MXM140, MXM155, BSN 217254
2	82026493	1	HOSE, Compressor to Condenser, MXM175, MXM190, BSN 217254
3	82014147	1	HOSE, FLEXIBLE, Evaporator to Compressor
4	82000793	1	O-RING, 5/16" ID x .070" Thk, Green
5	82000792	1	O-RING,
6	82000791	1	O-RING,
7	10450690	1	CLAMP, Cap, HH, CL 8.8, M6 x 1 x 14
8	83904190	1	WASHER, 6 x 16
9	82019426	1	SWITCH, PRESSURE, High pressure
10	82011138	1	STRAP, CABLE,
11	263117	2	STRAP, CABLE, .14" x 11 1/2",
12	82009350	1	WASHER, 25.9 x 41.6 x 1.7
13	82015296	1	BRACKET, , BSN ACM266570
14	82000790	2	O-RING, 1.06" ID x .070" Thk, Green
15	83905107	1	NUT, 1-7/16"-16
16	83905037	1	COUPLING,
17	83905071	1	COUPLING,
18	82000789	3	O-RING, 11/16" ID x .070" Thk, Green
19	83905106	1	NUT,
20	83905036	1	COUPLING,
21	83905070	1	COUPLING,
22	82033941	1	ADAPTER,
23	86508568	1	BOLT, Hex, M6 x 16, 8.8,
24	87303475	1	HOSE, Compressor to Condenser, ASN 217255
25	87358568	1	BRACKET, , ASN ACM266571

D4855 Serial N.217255 D5257 Serial N.ACM266571

1.17.0/87 CONDENSER AND DEHYDRATING FILTER FOR AIR CONDITIONING



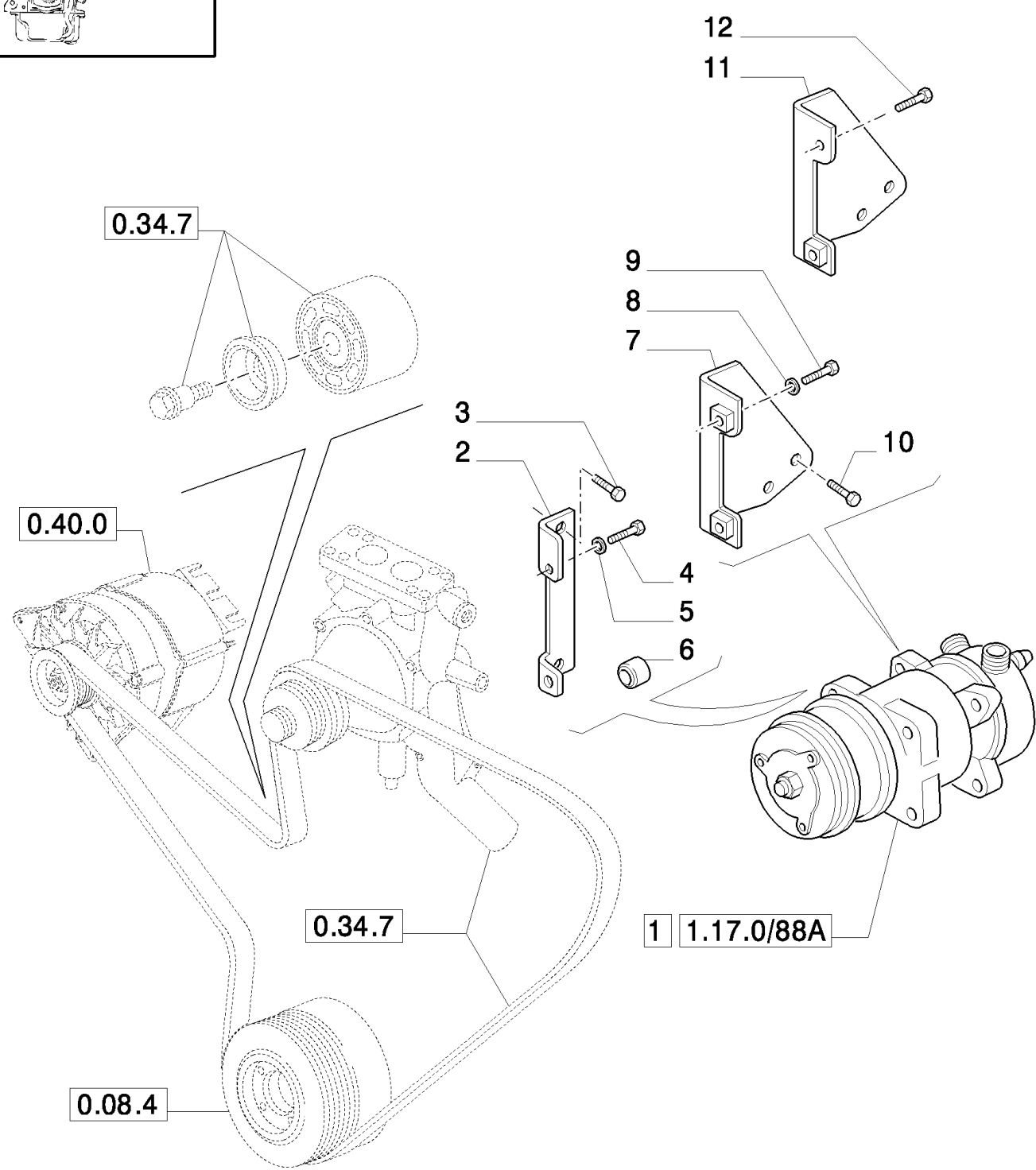
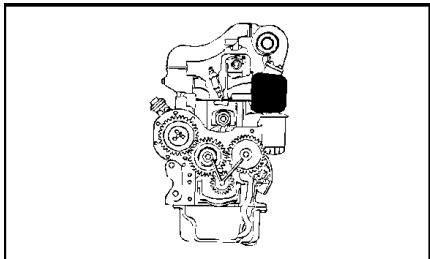
## MXM155 CASE IH TRACTOR (6/02- )

## 1.17.0/87 CONDENSER AND DEHYDRATING FILTER FOR AIR CONDITIONING

сылка	Номер детали	Кол-во	Описание
1	82023593	1	RECEIVER-DRYER, , BSN 217254
1	87374420	1	RECEIVER-DRYER, , ASN 217255
2	82026483	1	BRACKET, , BSN 217254
3	10902424	1	BOLT, Hex, M6 x 20, 8.8, Full Thd,
4	15896221	1	NUT, M6, CI 10,
5	14496404	2	WASHER, LOCK, M6 x 12.5
6	82000793	2	O-RING, 5/16" ID x .070" Thk, Green
7	86511828	1	SCREW, Cross Pan Hd, M6 x 12,
8	82000789	2	O-RING, 11/16" ID x .070" Thk, Green
9	82011199	1	FASTENER, 1/4" Turn
10	82004583	1	PLATE,
11	82004582	1	CLIP,
12	82026489	1	TUBE, Incl. 6, 8, Dehydrator to Condenser, BSN 217254
12	82033295	1	TUBE, MXM120, MXM130, MXM140, MXM155, Dehydrator to Condenser, ASN 217255
12	82033481	1	TUBE, MXM175, MXM190, Dehydrator to Condenser, ASN 217255
13	82023592	1	CONDENSER, , BSN 217254
13	82033407	1	CONDENSER, , ASN 217255
14	82000792	1	O-RING,
15	82026490	1	TUBE, Incl. 14, BSN 217254
15	82033293	1	TUBE, MXM120, MXM130, MXM140, MXM155, ASN 217255
15	82033519	1	TUBE, MXM175, MXM190, ASN 217255
16	82033517	1	BRACKET, , BTW 217255 & ACM264533
17	87365129	1	BRACKET, , D5252-
18	10979221	1	BOLT, Hex, M10 x 16, 8.8, Full Thd,
19	14496601	1	WASHER, M10 x 20 x 2,

D4855 Serial N.217255 D5252 Serial N.ACM264534



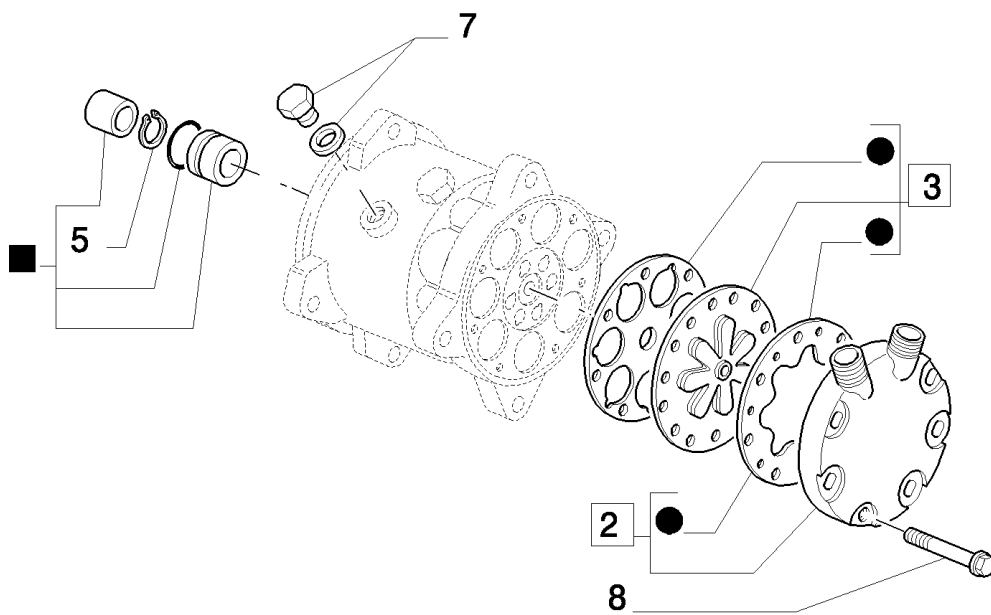
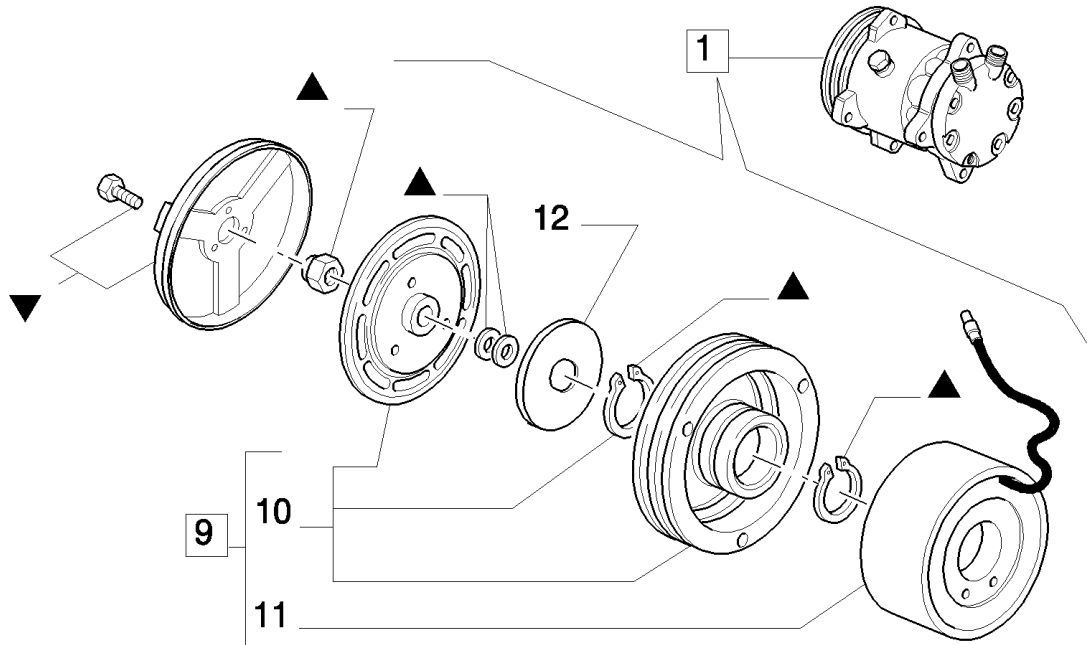
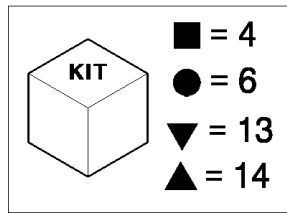
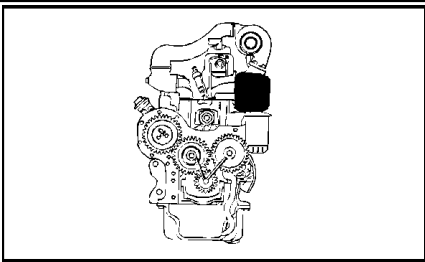


## MXM155 CASE IH TRACTOR (6/02- )

## 1.17.0/88 COMPRESSOR, AIR CONDITIONING

сылка	Номер детали	Кол-во	Описание
1	82016158	1	COMPRESSOR, AIRCOND,
2	82016020	1	BRACKET,
3	16043624	2	BOLT, Hex, M8 x 25, 8.8, Full Thd,
4	14420271	2	SCREW, Hex Soc Hd, M10 x 30, 12.9,
5	11198374	2	WASHER, SPRING, Belleville, M10.5,
6	82016174	2	DOWEL, M8.5 x 11.2 x 8.5
7	87368345	1	BRACKET, , -C5325
8	14496621	AR	WASHER, M10 x 21 x 2,
9	81869630	2	SCREW, Hex Soc Hd, M10 x 35, 8.8,
10	83956692	2	SCREW, 3/8"-16 x 3/4"
11	87391185	1	BRACKET, , D5325-
12	11701711	1	NUT, M10, CI 8, , D5325-

D5325 Serial N.ACM280198

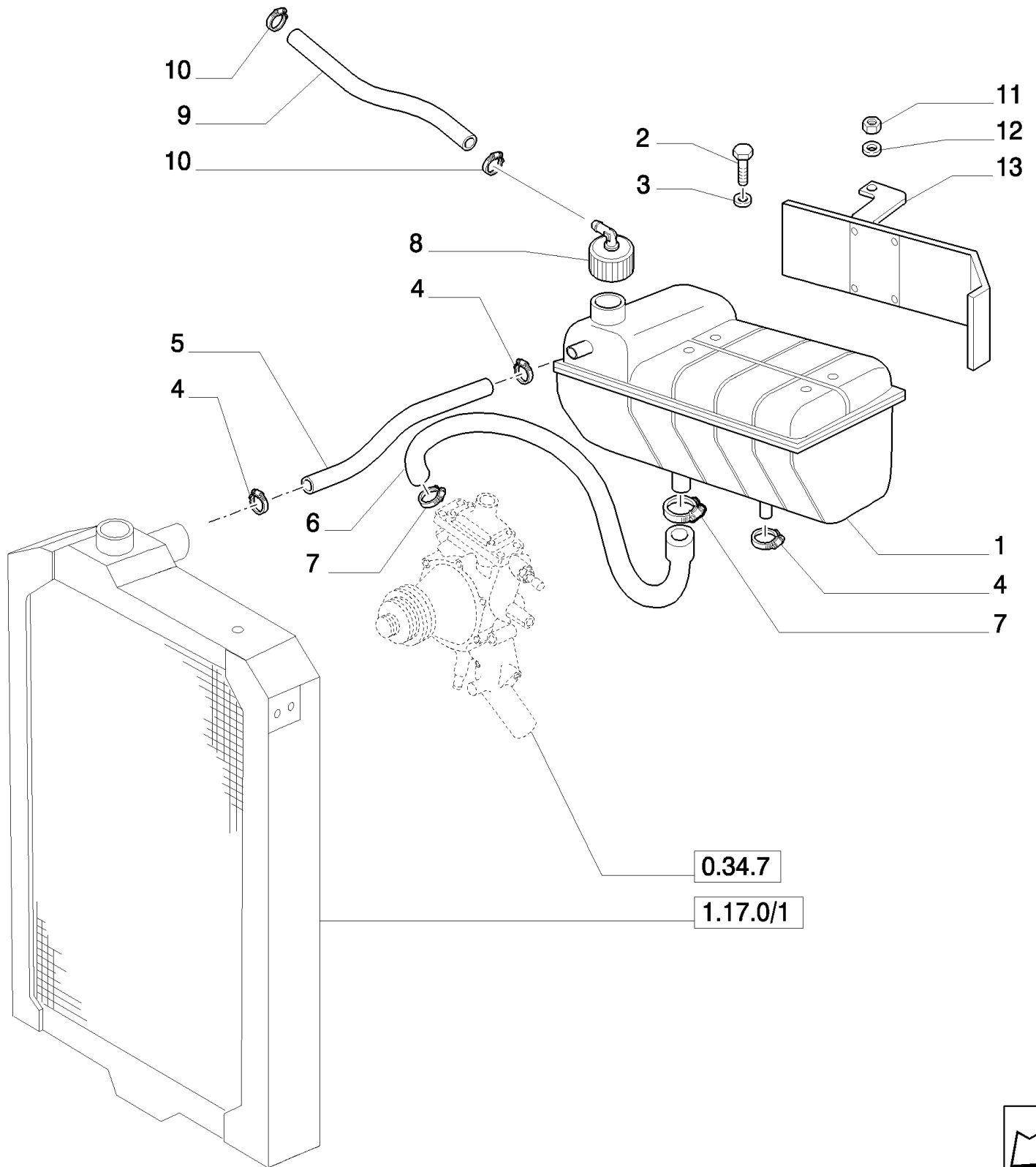


## MXM155 CASE IH TRACTOR (6/02- )

## 1.17.0/88A COMPRESSOR BREAKDOWN, AIR CONDITIONING

сылка	Номер детали	Кол-во	Описание
1	82016158	1	COMPRESSOR, AIRCOND,
2	82008814	1	CYLINDER HEAD,
3	87334395	1	PLATE,
4	87334396	1	KIT,
5	87334397	1	RING, SNAP,
6	87334398	1	KIT, SEALS,
7	82008819	1	PLUG,
8	82008822	1	BOLT,
9	87334399	1	CLUTCH,
10	87334400	1	ARMATURE, & Rotor
11	87334401	1	COIL,
12	87334402	1	DUST CAP,
13	87334403	1	PROTECTING COVER,
14	87334404	1	KIT, SERVICE,

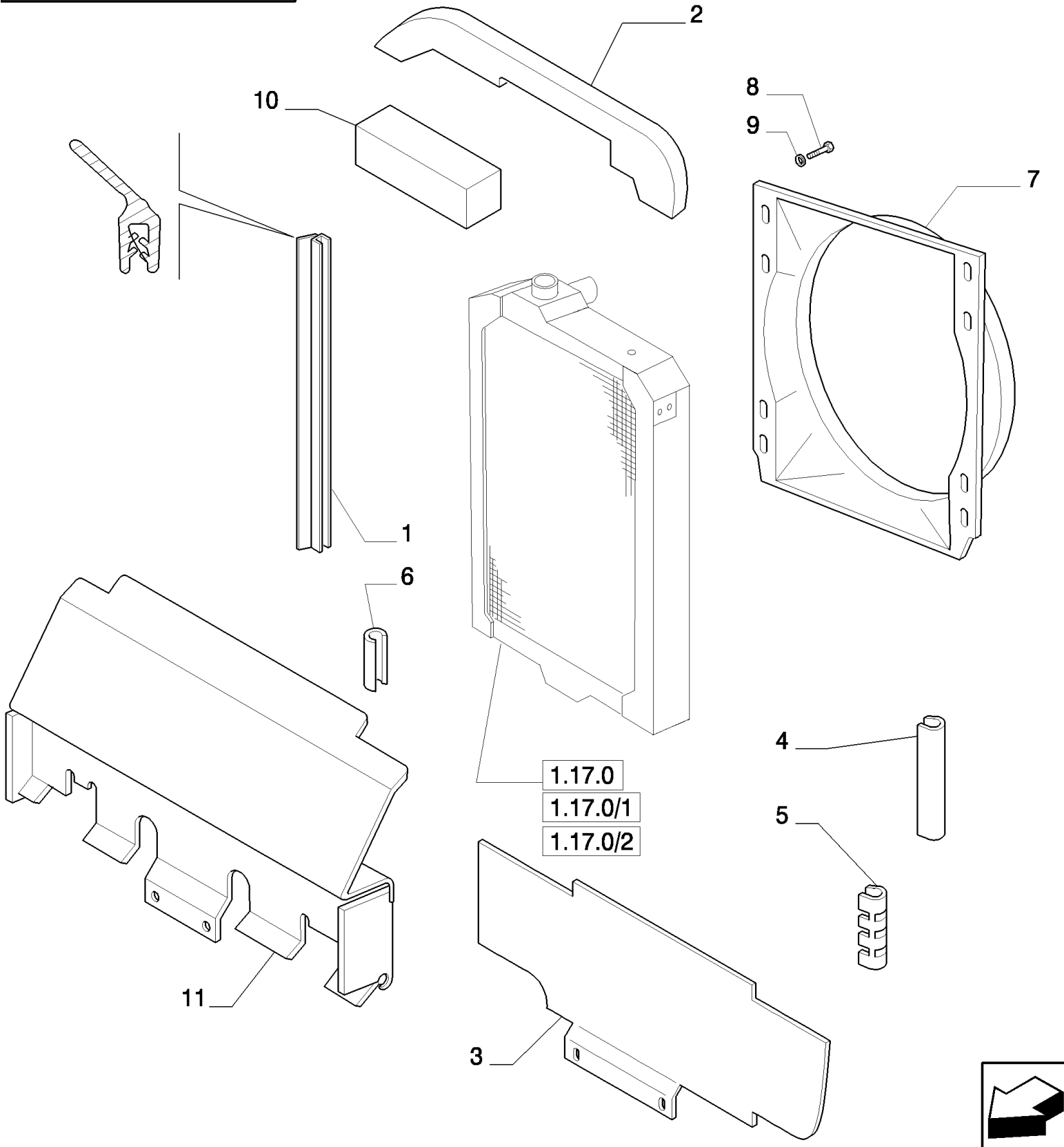
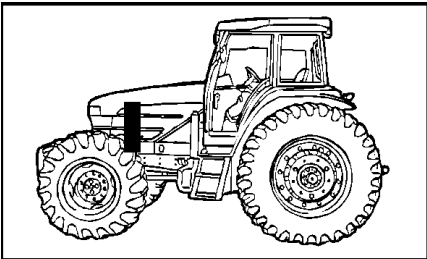
1.17.2 COOLING, EXPANSION TANK / TEMPERATURE CONTROL



## 1.17.2 COOLING, EXPANSION TANK / TEMPERATURE CONTROL

сылка	Номер детали	Кол-во	Описание
1	82019583	1	RESERVOIR, COOLANT EXPNSN, , Components not serviced separately
2	16043224	4	BOLT, Hex, M8 x 16, 8.8, Full Thd,
3	10519604	4	WASHER, M8 x 17 x 2,
4	82039342	2	CLAMP, HOSE,
5	82019590	1	HOSE, FLEXIBLE,
6	82023371	1	HOSE, FLEXIBLE,
7	82039345	2	CLAMP, HOSE,
8	82022744	1	PLUG,
9	82031702	1	HOSE,
10	529070	2	STRAP, CABLE, .30" x 14.5",
11	15896221	1	NUT, M6, CI 10,
12	89824259	1	WASHER, M6
13	82018184	1	SHIELD,

1.17.5 RADIATOR & RELATED PARTS



## MXM155 CASE IH TRACTOR (6/02- )

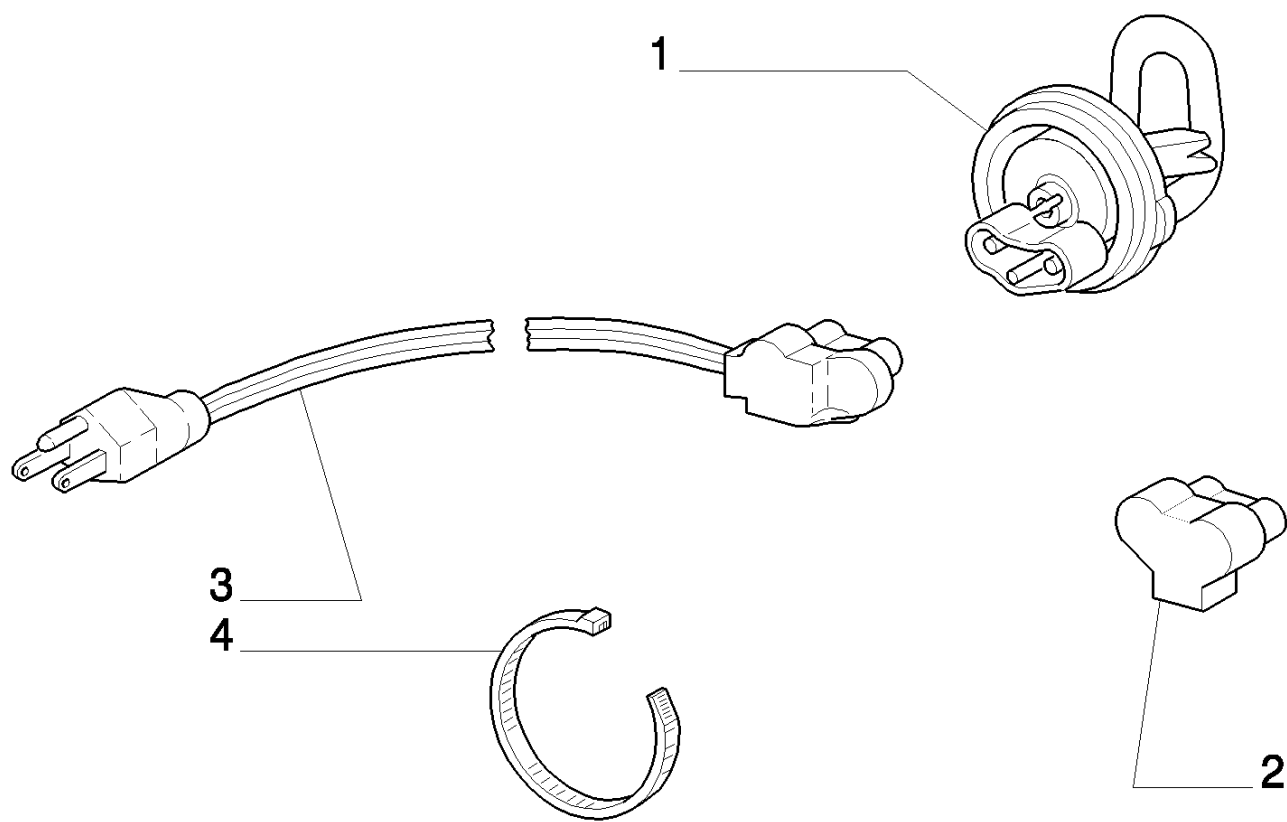
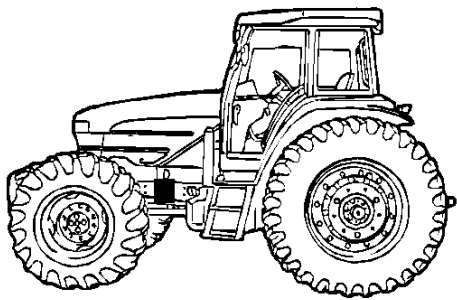
## 1.17.5 RADIATOR &amp; RELATED PARTS

сылка	Номер детали	Кол-во	Описание
1	87393575	2	GASKET, MXM120, MXM130, MXM140, MXM155
1	87393579	2	GASKET, MXM175, MXM190
2	82033527	1	SEAL,
3	87308083	1	PLATE, 4WD, MXM120, MXM130, W/Equip. 780, 781 Front HPL and Front PTO and Equip. 789 Front HPL Less PTO also (4WD), BSN ACM262211
3	87308084	1	PLATE, 4WD, MXM140, MXM155, MXM175, MXM190, W/Equip. 780, 781 Front HPL and Front PTO and Equip. 789 Front HPL Less PTO also (4WD), BSN ACM262211
3	87308085	1	PLATE, 4WD, MXM120, MXM130, W/Equip.420, 452/1, 463, 463/1, 789, 4WD Front Axle W/Suspension and "Terralock" - Semi Power Shift, W/Equip. 780, 781 Front HPL and Front P.T.O. - W/Front Axle W/Suspensions, also (4WD)
3	87308086	1	PLATE, 4WD, MXM140, MXM155, MXM175, MXM190, W/Equip.420, 452/1, 463, 463/1, 789, 4WD Front Axle W/Suspension and "Terralock" - Semi Power Shift, W/Equip. 780, 781 Front HPL and Front P.T.O. - W/Front Axle W/Suspensions, also (4WD)
4	82869674	1	MOLDING, , -C4855
5	81816009	1	BUMPER, , -C4855
6	82015330	1	BUMPER, , -C4855
7	82037648	1	SHROUD, MXM120, MXM130
7	87388169	1	SHROUD, MXM120, MXM130, MXM140, W/Mec. Trans. 20 x 16
7	82037649	1	SHROUD, MXM140, MXM155
7	87387898	1	SHROUD, MXM175, MXM190
8	10902224	8	BOLT, Hex, M6 x 16, 8.8, Full Thd,
9	81872184	8	WASHER,
10	82022052	1	SEAL, MXM175, MXM190, 2WD
11	87348718	1	PLATE, MXM120, MXM130, Black, W/Equip. 780, 781 Front HPL and Front PTO and Equip. 789 Front HPL Less PTO also (4WD), ASN ACM262212
11	87354781	1	PLATE, MXM140, MXM155, MXM175, MXM190, W/Equip. 780, 781 Front HPL and Front PTO and Equip. 789 Front HPL Less PTO also (4WD), ASN ACM262212

C4855 Serial N.217255 D5216 Serial N.ACM262212



1.17.8 (VAR206) ENGINE COOLANT HEATER

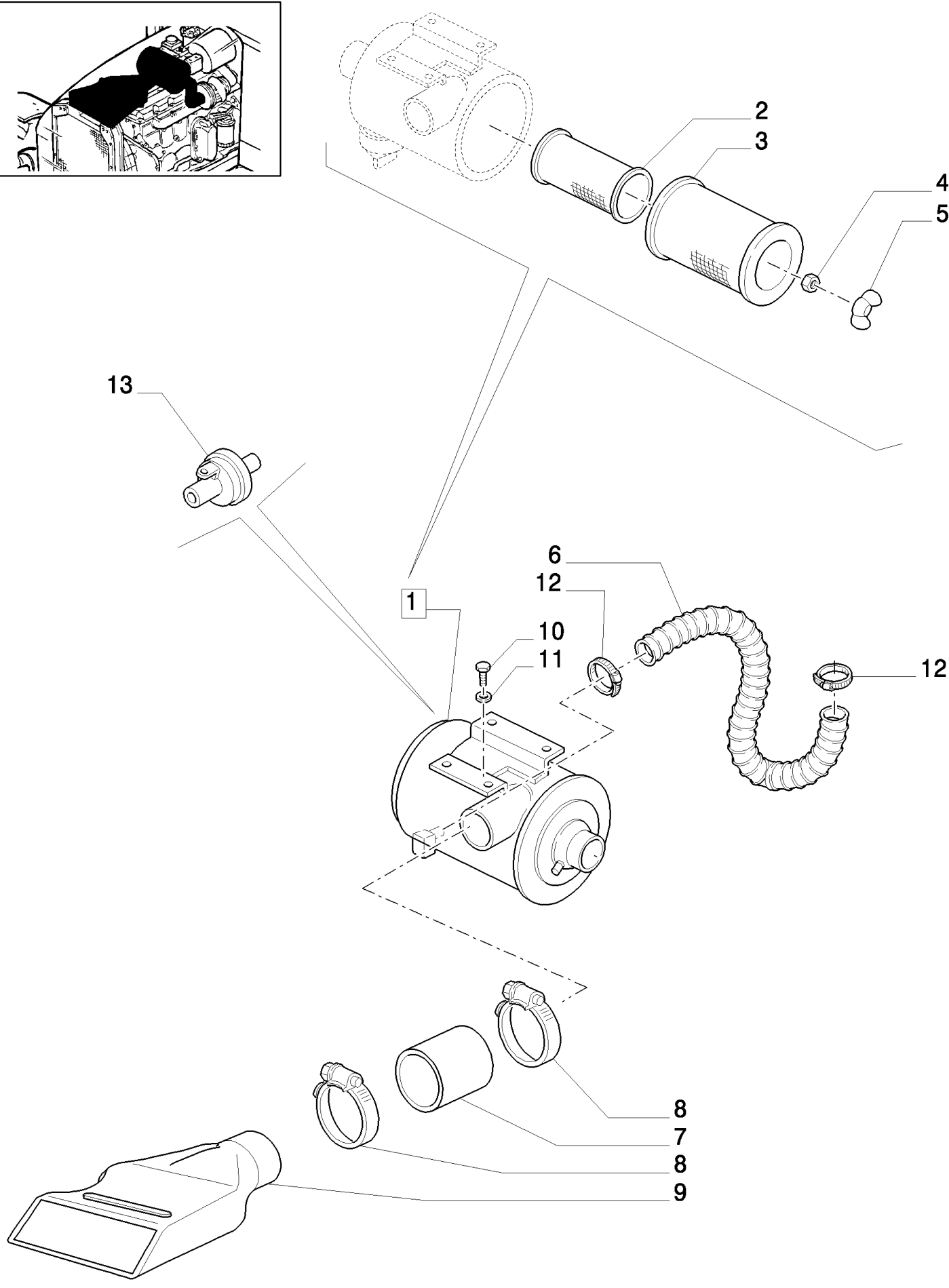
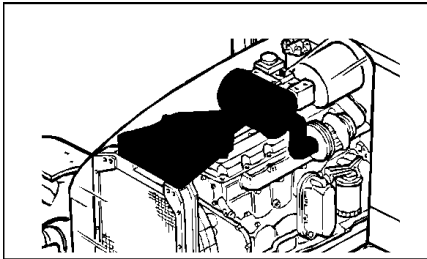


MXM155 CASE IH TRACTOR (6/02- )

1.17.8 (VAR206) ENGINE COOLANT HEATER

сылка	Номер детали	Кол-во	Описание
1	82019779	1	HEATER,
2	89700811	1	PLUG,
3	83954500	1	CABLE, ELECTRIC,
4	263117	1	STRAP, CABLE, .14" x 11 1/2",

1.19.1(01) AIR CLEANER & LINES

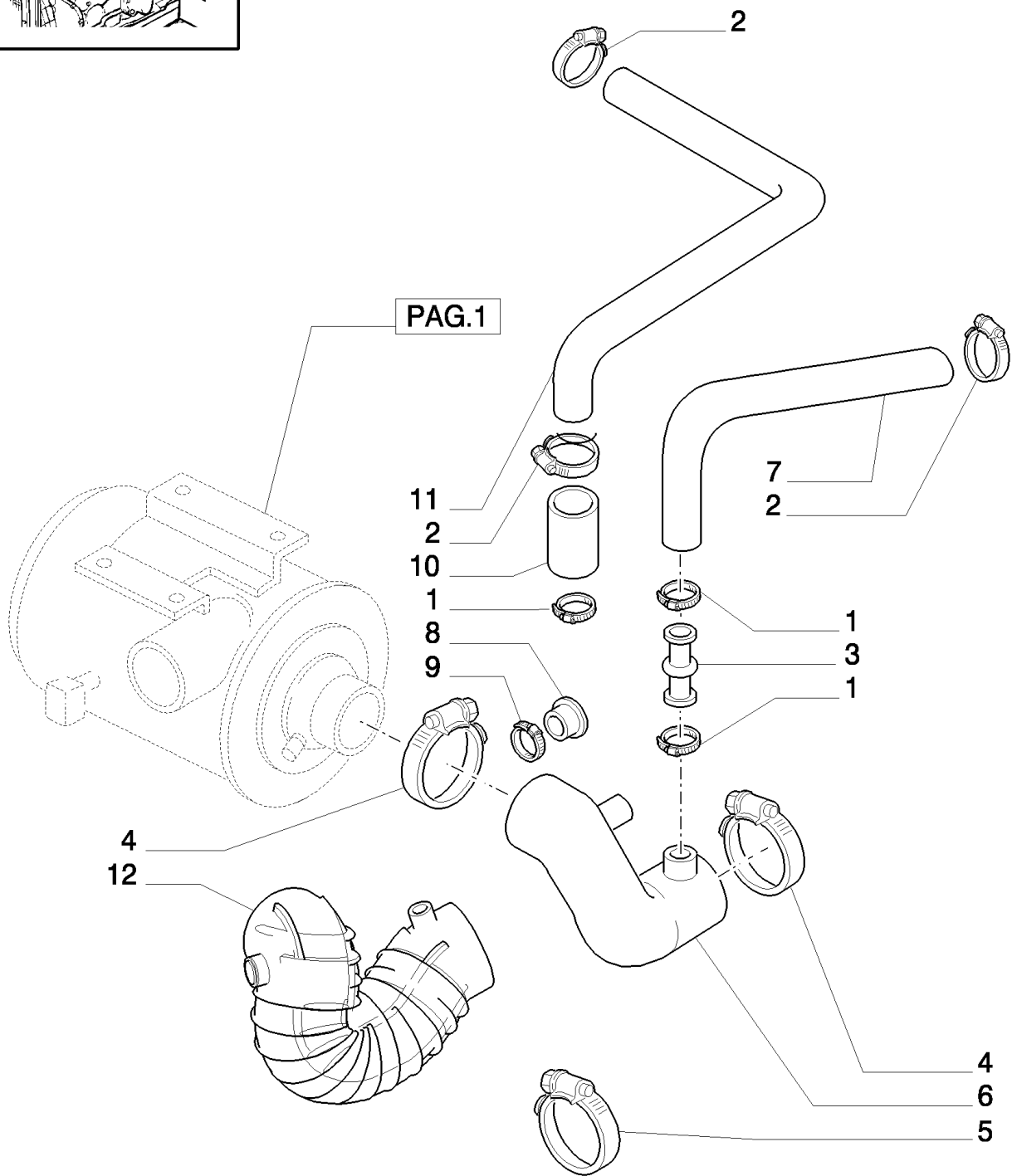
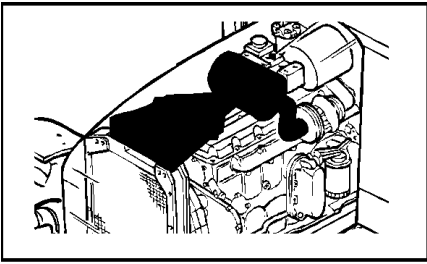


## MXM155 CASE IH TRACTOR (6/02- )

## 1.19.1(01) AIR CLEANER &amp; LINES

сылка	Номер детали	Кол-во	Описание
1	82008604	1	AIR CLEANER,
2	82008607	1	FILTER, AIR, Secondary
3	82008606	1	FILTER, ELEMENT, Primary, Includes cover.
4	12577211	1	NUT, LOCK, M10 x 1.5, CI 8,
5	82003725	1	NUT, WING,
6	82039547	1	HOSE, FLEXIBLE,
7	82000070	1	HOSE,
8	82012733	2	CLAMP, HOSE,
9	82033232	1	DUCT, AIR,
10	11106021	4	BOLT, Hex, M10 x 20, 8.8, Full Thd,
11	14496621	4	WASHER, M10 x 21 x 2,
12	82036709	2	CLAMP, HOSE,
13	82003527	1	SWITCH, Air Cleaner Restriction

1.19.1(02) DRY AIR FILTER-PIPES

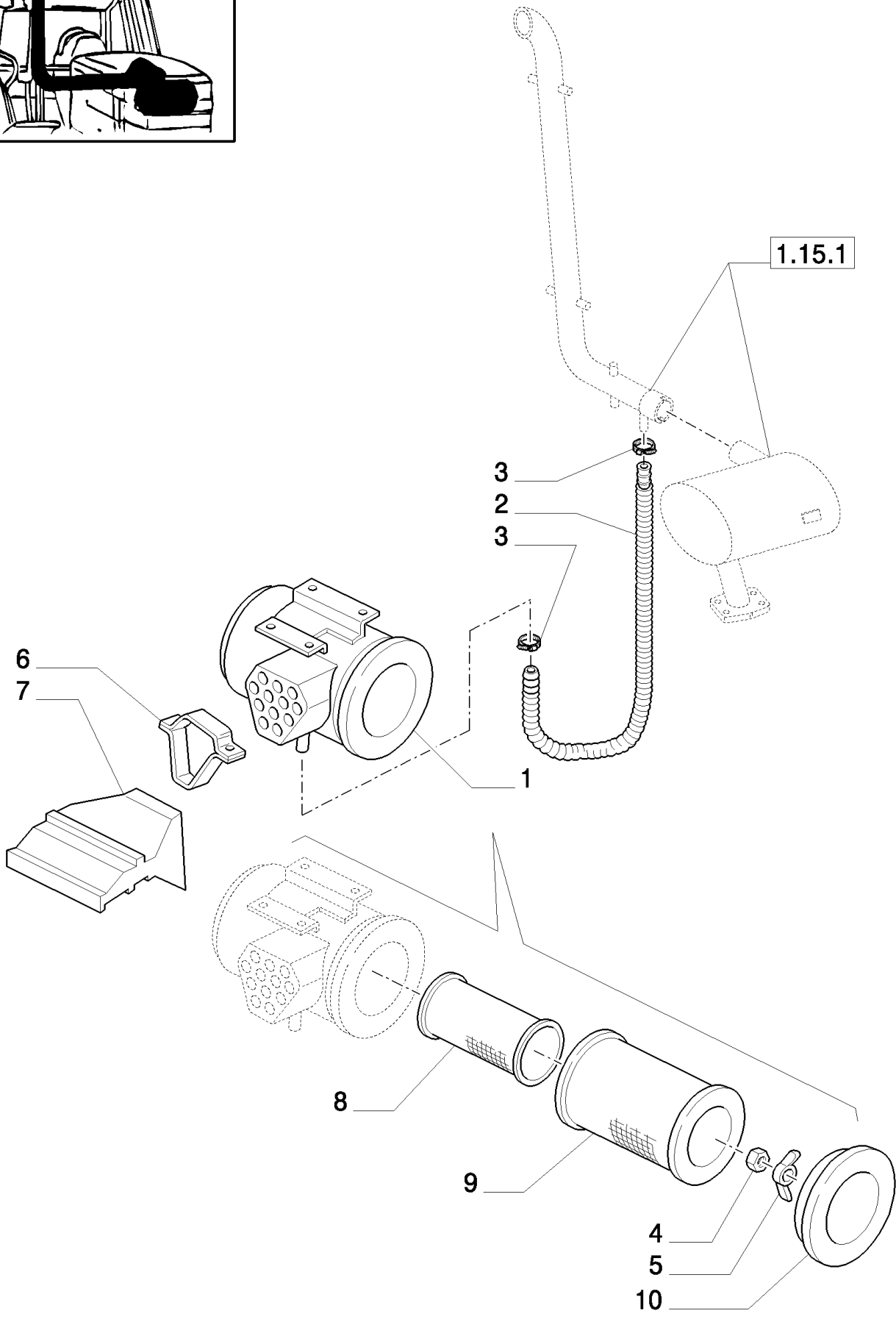
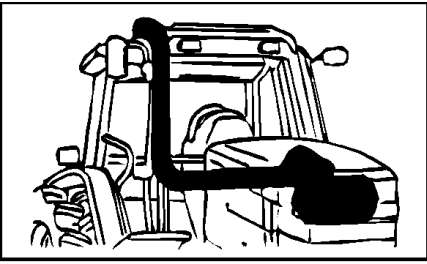


## MXM155 CASE IH TRACTOR (6/02- )

## 1.19.1(02) DRY AIR FILTER-PIPES

сылка	Номер детали	Кол-во	Описание
1	82036709	2	CLAMP, HOSE,
2	82039345	2	CLAMP, HOSE,
3	82024812	1	FITTING, , BSN ACP204880
4	82012733	2	CLAMP, HOSE,
5	529070	2	STRAP, CABLE, .30" x 14.5",
6	82024745	1	TUBE, , BSN ACM2652754
7	82024810	1	HOSE, FLEXIBLE, , BSN ACP204880
8	82019459	1	PLUG,
9	13387470	1	CLAMP, HOSE,
9	13387470	1	CLAMP, HOSE, , Only for VAR. 385, BSN ACM265274
9	13387570	1	CLIP, HOSE, Incl. 8, 9, ASN ACM265275
10	82033998	1	HOSE, , ASN ACP204881
11	82033997	1	TUBE, , ASN ACP204881
12	87365339	1	HOSE, , ASN ACM265275

D5041 Serial N.ACP204881 D5235 Serial N.ACM265275

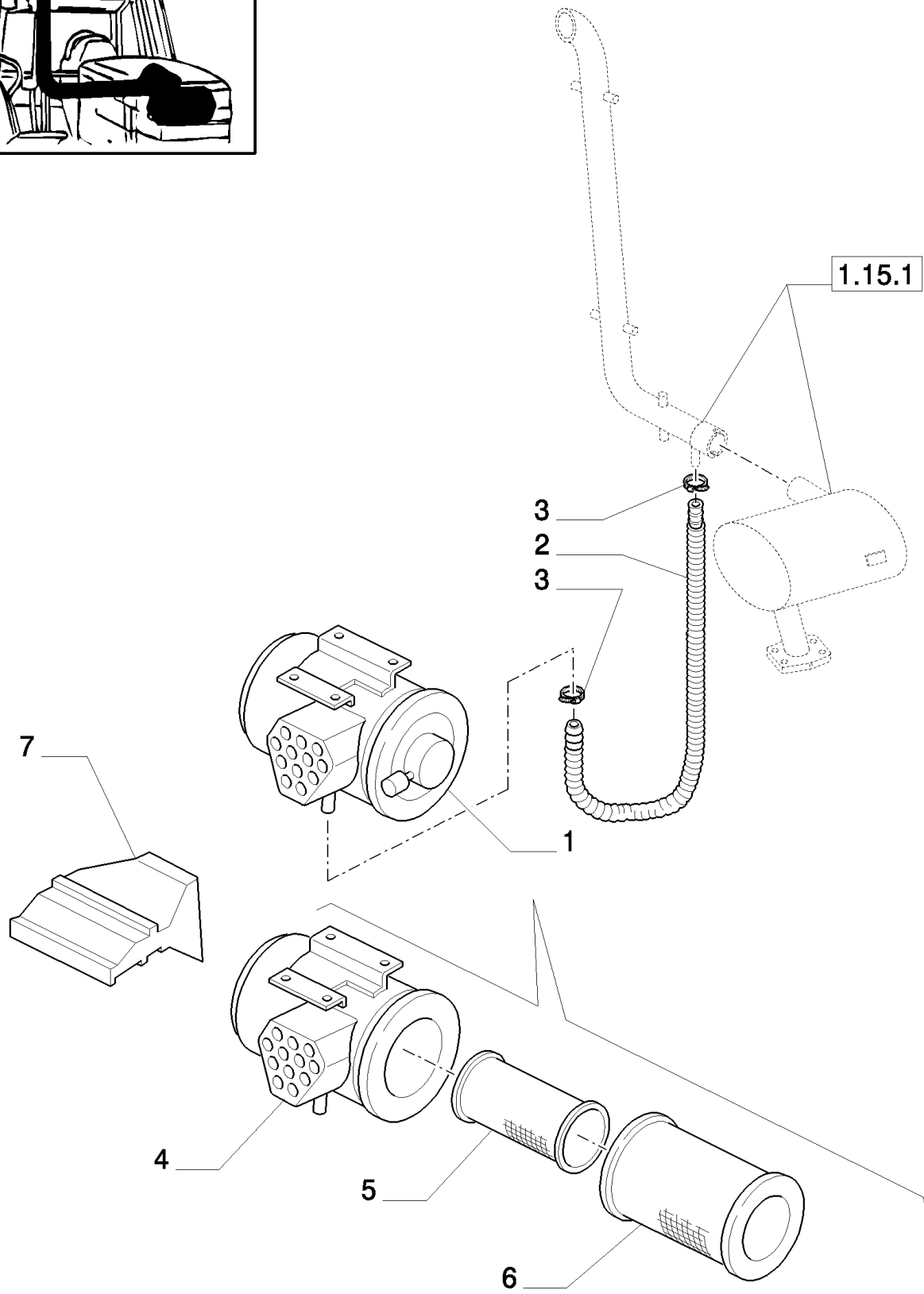
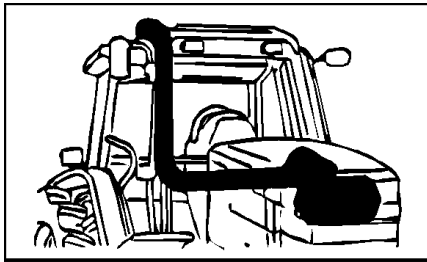


## MXM155 CASE IH TRACTOR (6/02- )

## 1.19.1/02 (VAR.198) AIRCLEANER W/PRECLEANER

сылка	Номер детали	Кол-во	Описание
1	82034444	1	AIR CLEANER,
2	82039548	1	HOSE, FLEXIBLE,
3	82036709	2	CLAMP, HOSE,
4	12577211	1	NUT, LOCK, M10 x 1.5, CI 8,
5	82003725	1	NUT, WING,
6	82015025	1	SUPPORT,
7	82033233	1	DUCT, AIR,
8	82008607	1	FILTER, AIR, Secondary
9	82014793	1	FILTER, ELEMENT, Primary
10	87301703	1	CAP, Incl. clips





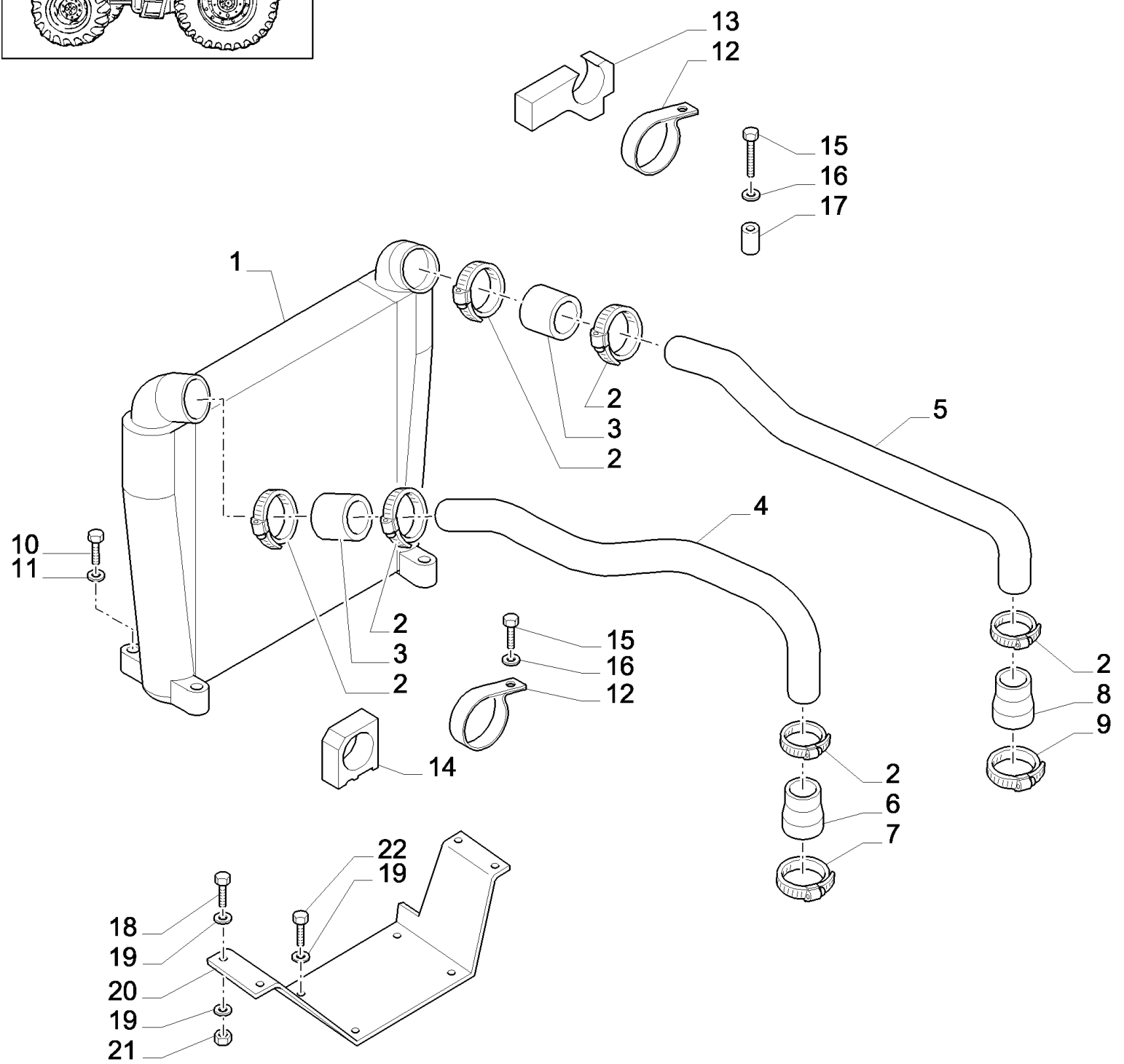
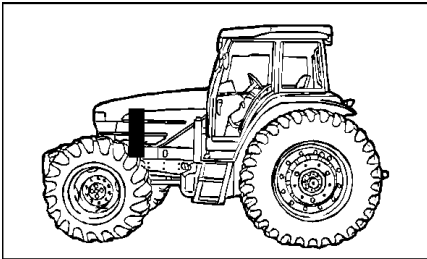
MXM155 CASE IH TRACTOR (6/02- )

1.19.1/03 (VAR.008) DRY AIR CLEANER

сылка	Номер детали	Кол-во	Описание
1	87340686	1	AIR CLEANER,
2	82039548	1	HOSE, FLEXIBLE,
3	82036709	2	CLAMP, HOSE,
4	87391747	1	AIR CLEANER,
5	82034623	1	FILTER, AIR,
6	82034629	1	FILTER, AIR,
7	82033233	1	DUCT, AIR,

Version for Fine Dust Application

1.19.6 HEAT EXCHANGER - AIR-AIR

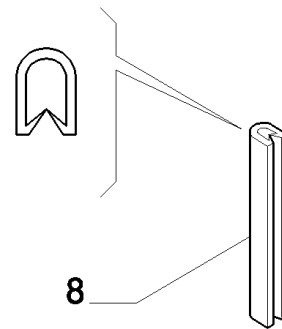
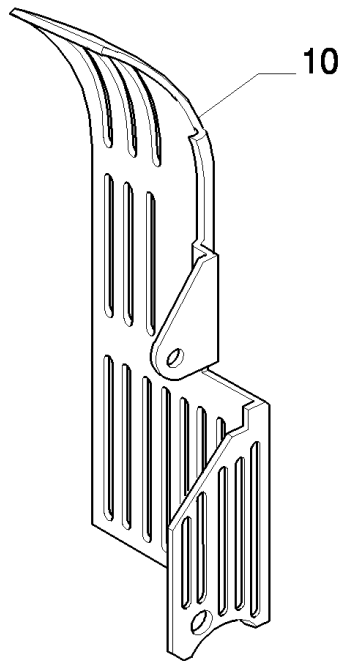
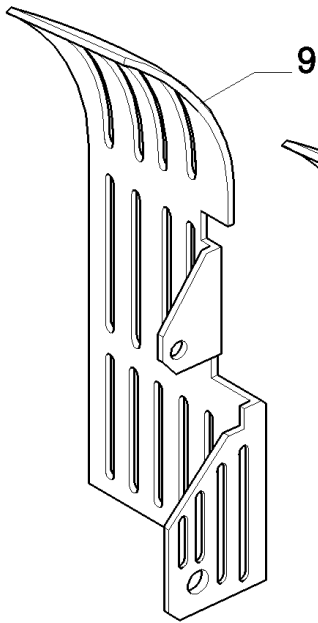
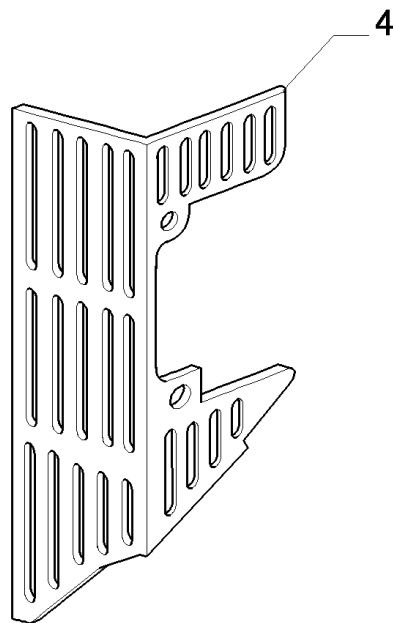
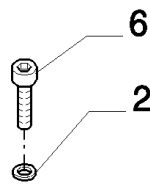
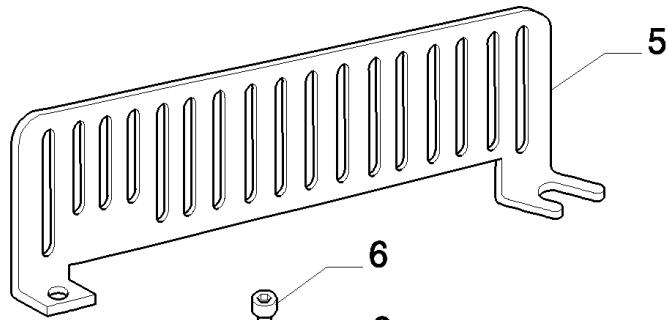
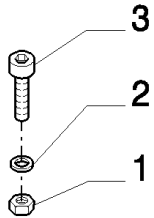
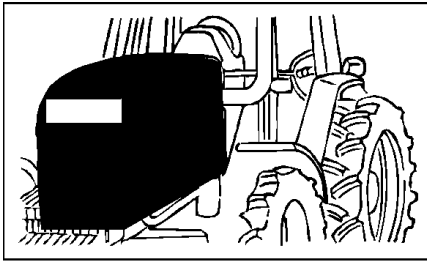


## MXM155 CASE IH TRACTOR (6/02- )

## 1.19.6 HEAT EXCHANGER - AIR-AIR

сылка	Номер детали	Кол-во	Описание
1	82028450	1	RADIATOR,
2	82036353	6	CLAMP, HOSE, D=60/80 mm
3	87539189	2	HOSE, FLEXIBLE,
4	82027287	1	TUBE, , From Cooler to Turbo
5	82027259	1	TUBE, , From Cooler to Intake Manifold
6	82023401	1	HOSE, FLEXIBLE, D=50/70 mm
7	82036351	1	CLAMP, HOSE,
8	82039386	1	HOSE,
9	82036354	1	CLAMP, HOSE, D=70/90 mm
10	80120068	4	SCREW, M10 x 1.5 x 40
11	85700654	4	WASHER, M10 x 20 x 2.5
12	82035626	2	CLIP, SPRING,
13	82033550	1	SEAL,
14	82027499	1	GASKET,
15	16044224	2	BOLT, Hex, M8 x 50, 8.8,
16	14496504	2	WASHER, M8 x 17 x 1.6,
17	82024562	1	SPACER,
18	11107311	1	BOLT, Hex, M10 x 55, 5.8,
19	14496621	12	WASHER, M10 x 21 x 2,
20	82031067	1	BRACKET,
21	100016	4	NUT, M10, CI 8,
22	11106221	4	BOLT, Hex, M10 x 25, 8.8, Full Thd,

1.19.9 ENGINE GUARD

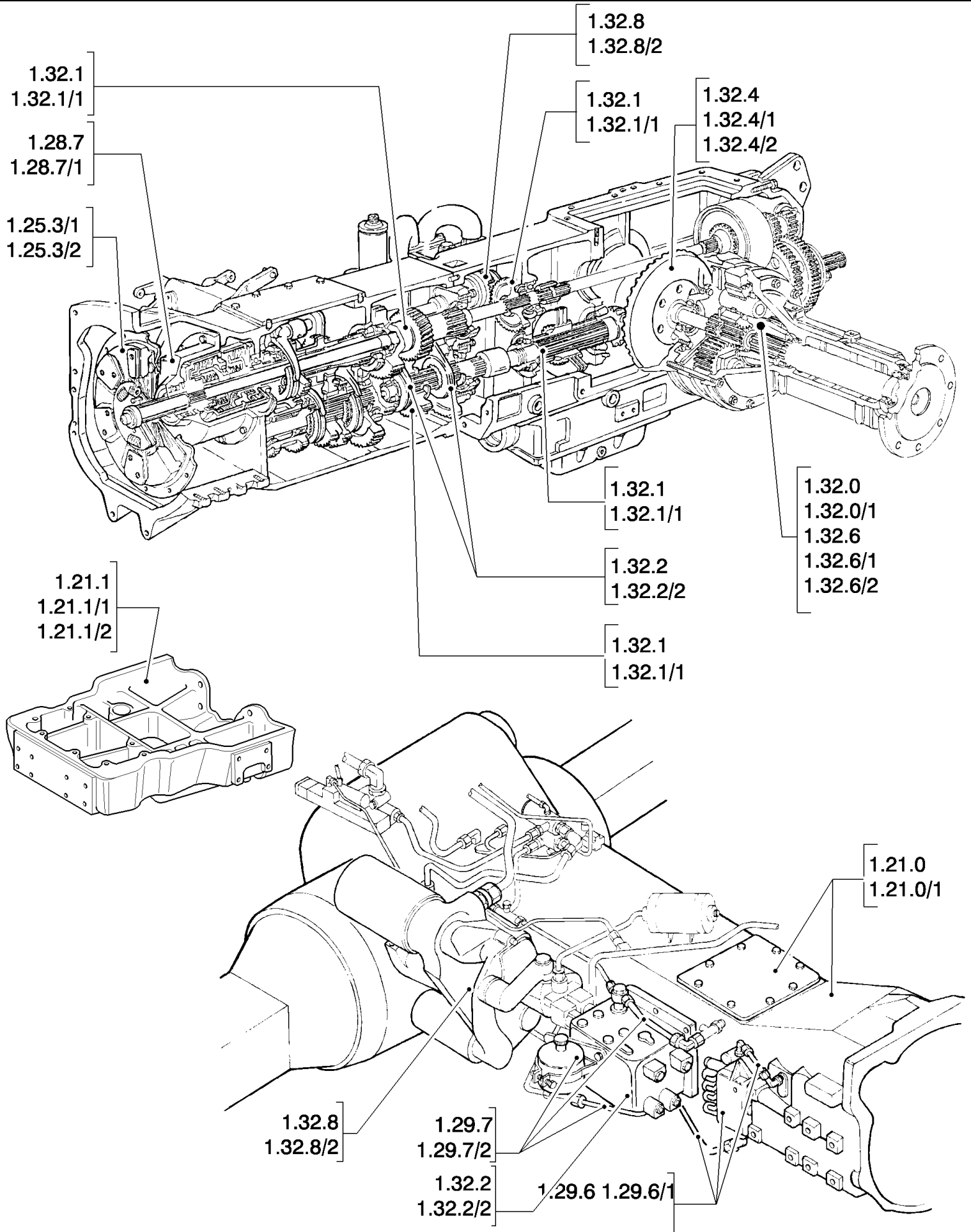


## MXM155 CASE IH TRACTOR (6/02- )

## 1.19.9 ENGINE GUARD

сылка	Номер детали	Кол-во	Описание
1	11701721	2	NUT, M10, CI 10,
2	14496621	3	WASHER, M10 x 21 x 2,
3	81869630	2	SCREW, Hex Soc Hd, M10 x 35, 8.8,
4	87306474	1	GUARD,
5	82027559	1	SHIELD,
6	81821889	1	SCREW, Cap, HH, G5, 3/8"-16 x 7/8"
7	82015330	2	BUMPER,
8	83964601	1	MOLDING,
9	82034489	1	GUARD, , BSN ACM270563
10	87382751	1	GUARD, , ASN ACM270564

D5309 Serial N.ACM270564



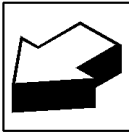
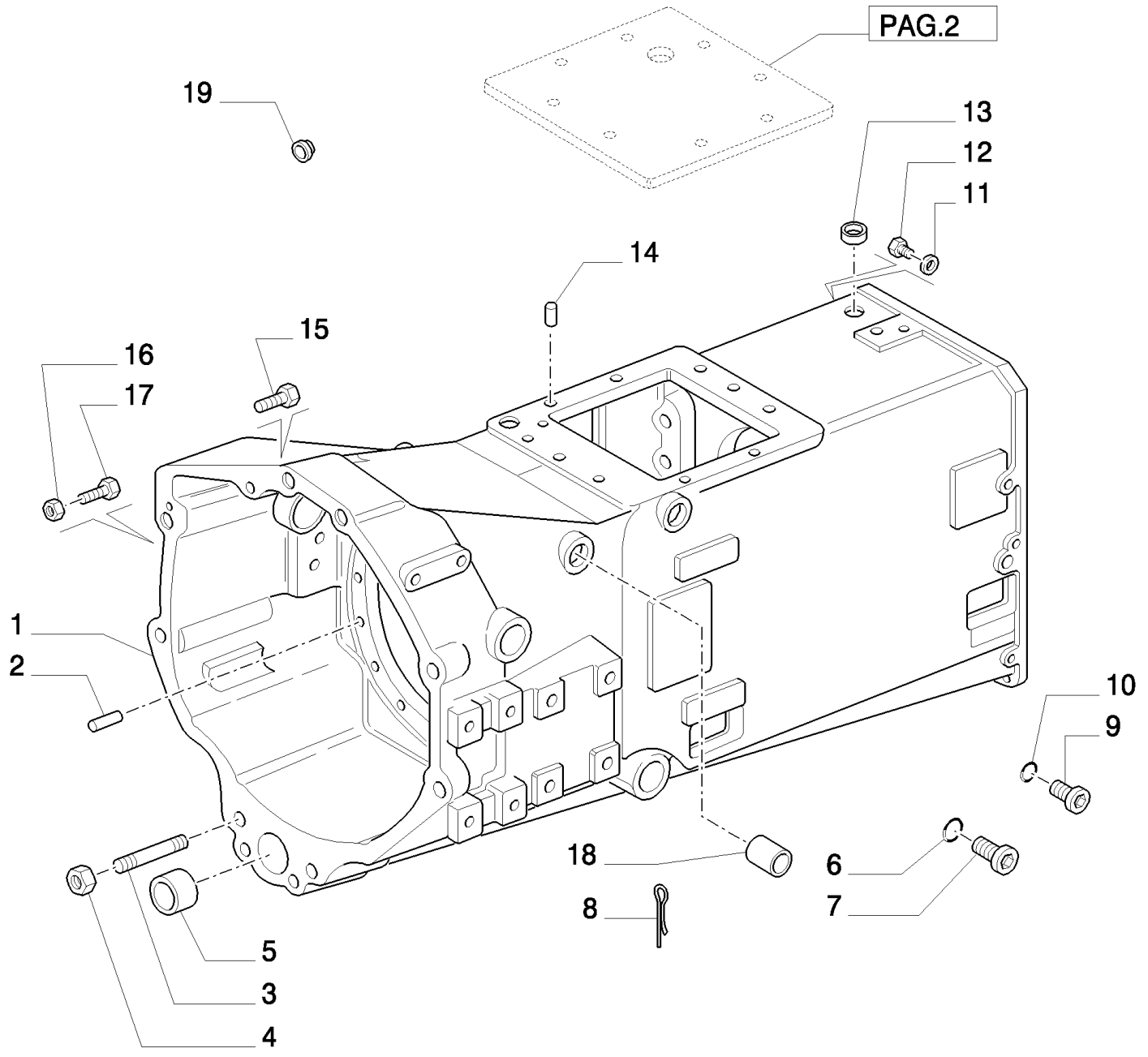
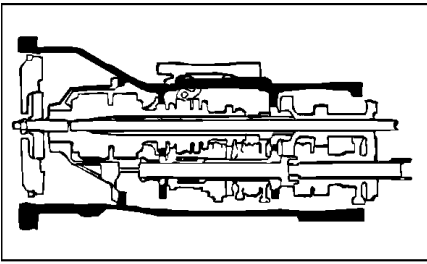
MXM155 CASE IH TRACTOR (6/02- )

1.20.0 SEC. 03 - TRANSMISSION

сылка	Номер детали	Кол-во	Описание



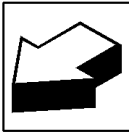
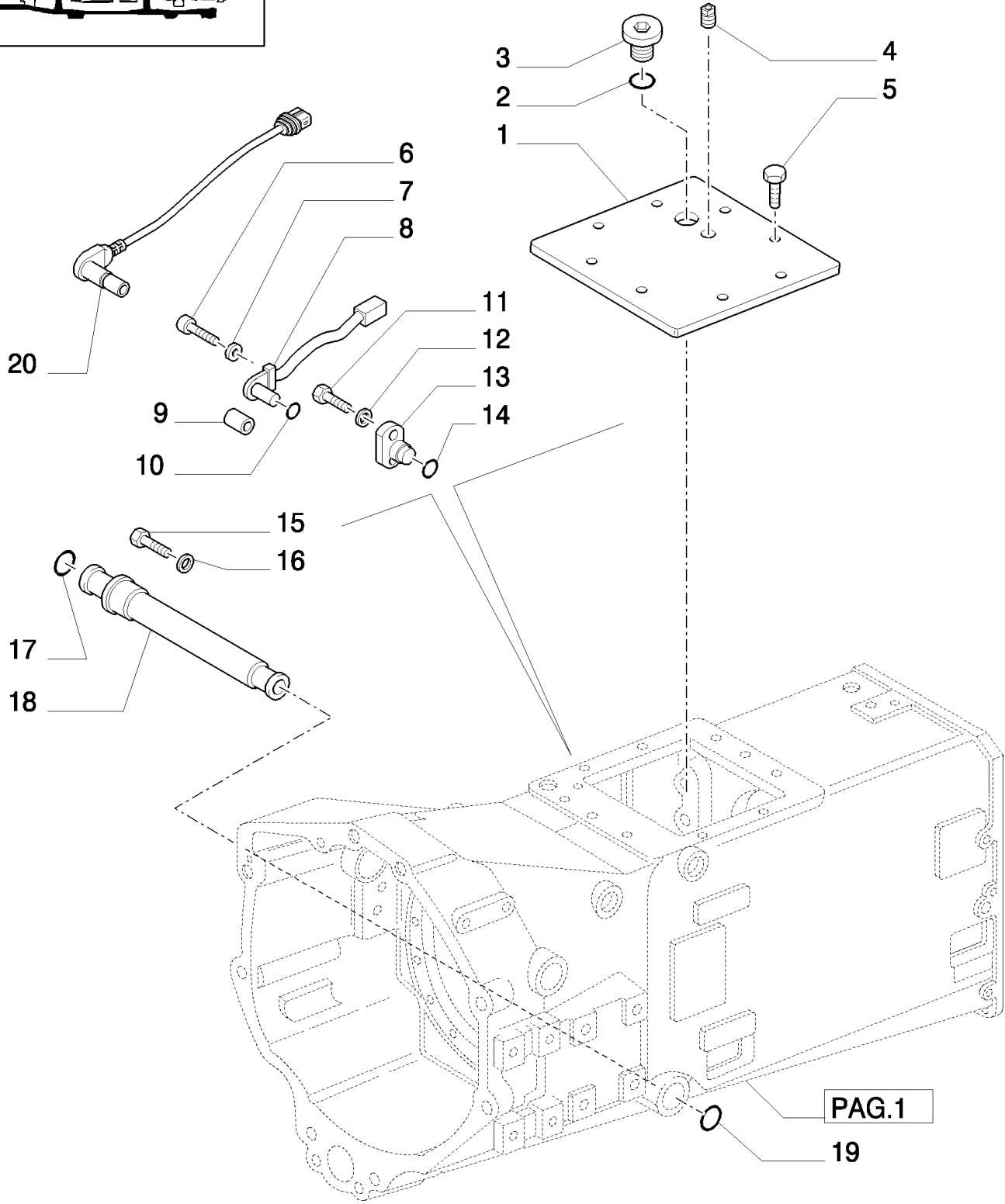
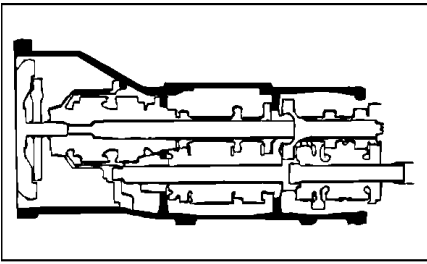
1.21.0(01) HOUSING, GEARS



## MXM155 CASE IH TRACTOR (6/02- )

## 1.21.0(01) HOUSING, GEARS

сылка	Номер детали	Кол-во	Описание
1	87311280	1	TRANSMISSION HOUSING, MXM120, MXM130, MXM140, D5156-
1	5183646	1	TRANSMISSION HOUSING, MXM120, MXM130, MXM140, W/Mec. Trans. 20 x 16 (40 KPH), -C5156
1	5188850	1	TRANSMISSION HOUSING,
2	10839710	2	DOWEL, M10 x 15
3	5185876	2	SCREW,
4	80280954	2	NUT, 3/4"-10
5	5139075	1	PLUG, 2WD
6	14437785	2	O-RING, 11.3MM ID x 2.4 Thk,
7	10118711	2	PLUG, M14 x 1.5 x 12, CI5.8,
8	10798201	1	PIN, SPLIT (COTTER), M6.3 x 32,
9	10119311	2	PLUG, M16 x 1.5 x 12, CI5.8,
10	14437885	2	O-RING, 13.3MM ID x 2.4 Thk,
11	4858608	1	SEAL,
12	10300611	1	PLUG, M14 x 1.5 x 14, CI5.8,
13	14328701	AR	PLUG, M20, Tapered,
14	5153109	2	DOWEL, M10 x 15
15	82895513	2	BOLT, 3/4"-16 x 3-1/4"
16	12164121	4	NUT, M16 x 1.5, CI 10,
17	15981834	4	BOLT, Hex, M16 x 1.5 x 120, 10.9,
18	5108835	2	BUSHING, MXM120, MXM130, MXM140, W/Mec. Trans. 20 x 16 (40 KPH)
19	82035752	4	PLUG,
19	82037172	8	PLUG,

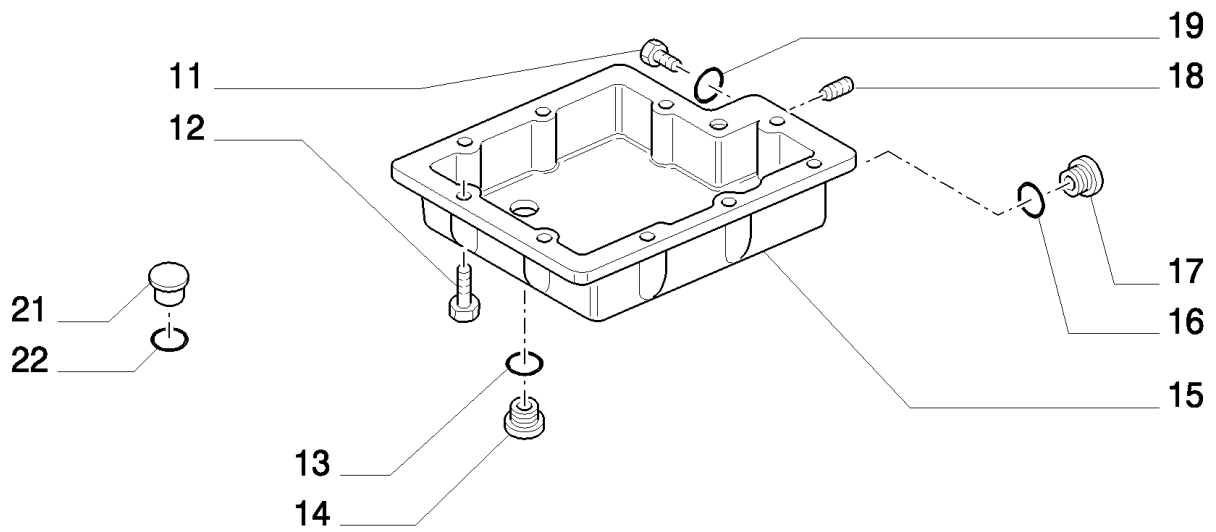
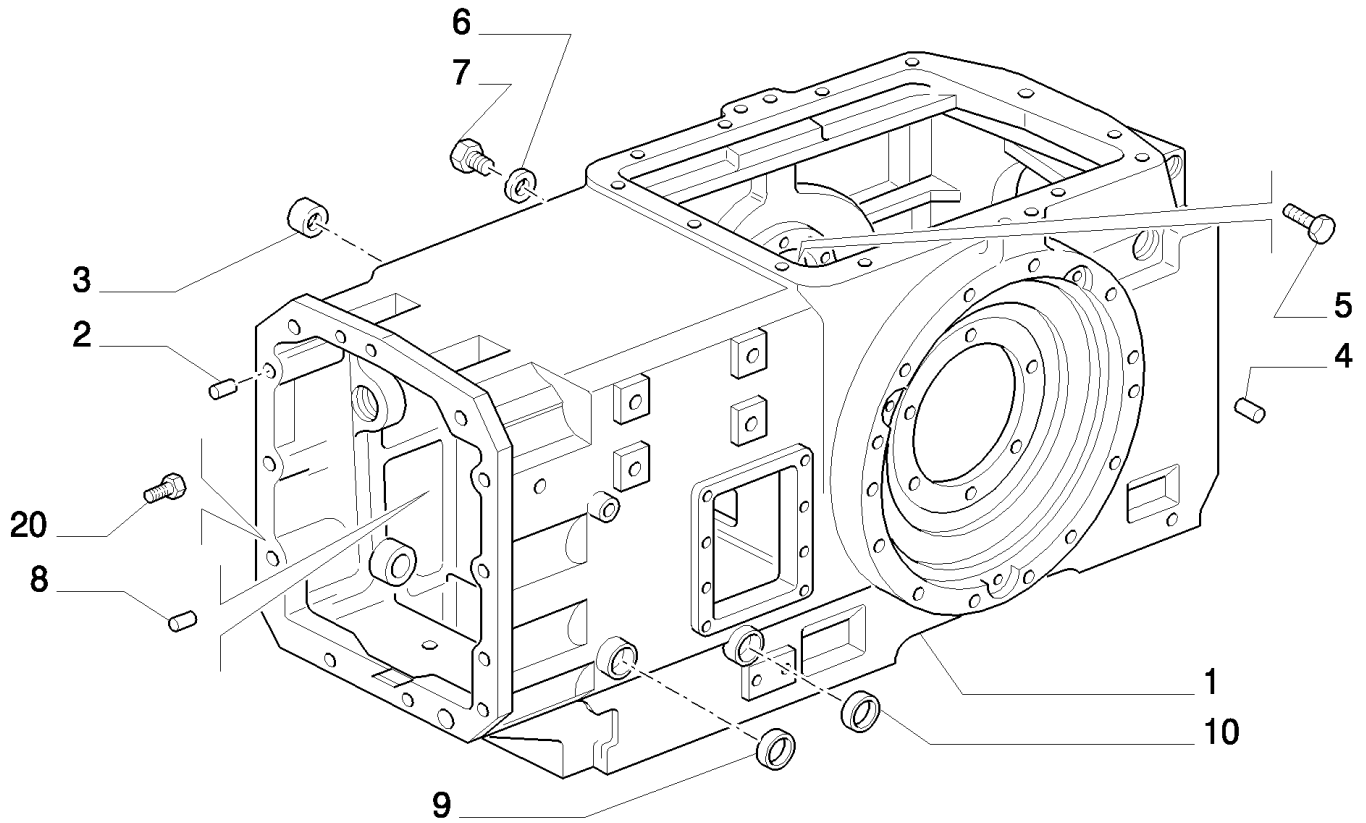
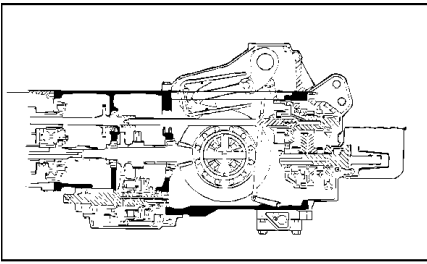


## MXM155 CASE IH TRACTOR (6/02- )

## 1.21.0(02) HOUSING, GEARS

сылка	Номер детали	Кол-во	Описание
1	5186785	1	COVER,
2	14437885	1	O-RING, 13.3MM ID x 2.4 Thk,
3	10119311	1	PLUG, M16 x 1.5 x 12, CI5.8,
4	14324011	1	PLUG, M10 x 1
5	15970724	8	BOLT, Hex, M10 x 1.25 x 25, 8.8, Full Thd,
6	14305221	3	SCREW, Hex Soc Hd, M6 x 16, 8.8,
7	10615474	3	WASHER, LOCK, Ext Tooth, M6,
8	82028155	3	SENSOR, Speed, -C5076
9	5176833	3	BUSHING, , -C5076
10	80274330	3	O-RING, 90 Duro, .438" ID x .094" Thk, -C5076
11	10977624	2	BOLT, Hex, M5 x 12, 8.8, Full Thd,
12	12605279	2	WASHER,
13	5171837	1	PLUG,
14	14453280	1	O-RING, -015, 70 Duro, .551" ID x .070" Thk,
15	16043324	1	BOLT, Hex, M8 x 18, 8.8, Full Thd,
16	12646204	1	WASHER, M8 x 35 x 3,
17	14464681	1	O-RING, -228, CI 7, 2.234" ID x .139" Thk,
18	5172331	1	TUBE,
19	14464580	1	O-RING, -227, 70 Duro, 2.109" ID x .139" Thk,
20	87564761	1	SENSOR, Speed, D5076-

1.21.0(03) HOUSING, GEARS

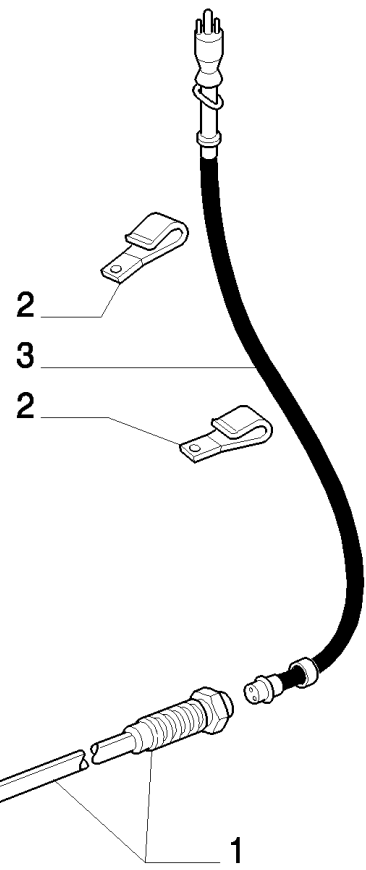
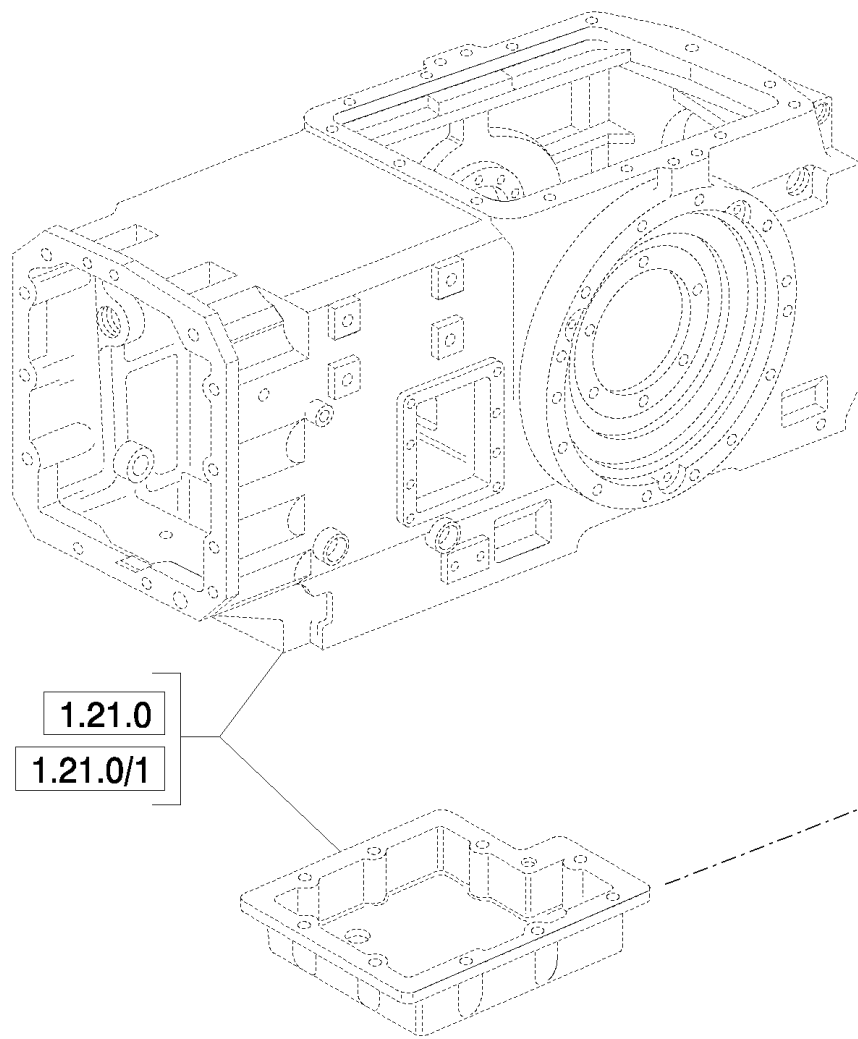
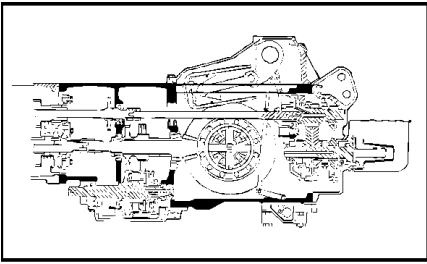


## MXM155 CASE IH TRACTOR (6/02- )

## 1.21.0(03) HOUSING, GEARS

сылка	Номер детали	Кол-во	Описание
1	5188806	1	TRANSMISSION HOUSING, MXM120, MXM130
1	5186286	1	HOUSING, MXM140, MXM155
1	5186644	1	HOUSING, MXM120, MXM130, MXM140, W/Mec. Trans. 20 x 16 (40 KPH)
2	4985062	4	DOWEL, M15 x 25
3	5173164	2	BUSHING,
4	5110200	10	DOWEL, M12 x 25
5	14306524	1	SCREW, Hex Soc Hd, M8 x 30, 8.8,
6	10263460	1	WASHER, SEALING, M22.3 x 28 x 1.5,
7	10305171	1	PLUG, M22 x 1.5 x 21,
8	10839710	2	DOWEL, M10 x 15
9	14328701	2	PLUG, M20, Tapered,
10	14328501	1	PLUG, M16, Tapered,
11	10119414	1	PLUG, M18 x 1.5 x 16,
12	11306924	9	BOLT, Hex, M10 x 1.25 x 30, 8.8, Full Thd,
13	14438285	1	O-RING, 29.5MM ID x 3.0 Thk,
14	10119511	1	PLUG, M33 x 2 x 16, CI5.8,
15	5183815	1	COVER, , -C4806
15	47127712	1	COVER, , D4806-
15	5182597	1	COVER, MXM120, MXM130, MXM140, W/Mec. Trans. 20 x 16 (40 KPH)
16	89626929	1	O-RING, 90 Duro, 1.048" ID x .116" Thk
17	5185747	1	PLUG, 1-3/16"-12UN
18	10275550	1	PLUG, M12 x 1.25
19	14437985	1	O-RING, 15.3MM ID x 2.4 Thk,
20	15840534	10	BOLT, Hex, M16 x 1.5 x 50, 10.9, Full Thd,
20	15860131	4	BOLT, Hex, M14 x 1.5 x 50, 10.9,
20	11391534	6	BOLT, Hex, M16 x 1.5 x 45, 10.9, Full Thd, MXM120, MXM130, MXM140, W/Mec. Trans. 20 x 16 (40 KPH)
20	11394331	4	BOLT, Hex, M14 x 1.5 x 45, 8.8, Full Thd, MXM120, MXM130, MXM140, W/Mec. Trans. 20 x 16 (40 KPH)
20	15835234	2	SCREW, Hex, M16 x 1.5 x 70, 10.9, MXM120, MXM130, MXM140, W/Mec. Trans. 20 x 16 (40 KPH)
21	10119011	1	PLUG, M27 x 2 x 20, CI5.8, , D4806-
22	14438185	1	O-RING, 24MM ID x 3.0 Thk, , D4806-

D4806 After Date 14/05/02



1.21.0  
1.21.0/1

2  
3  
2

1

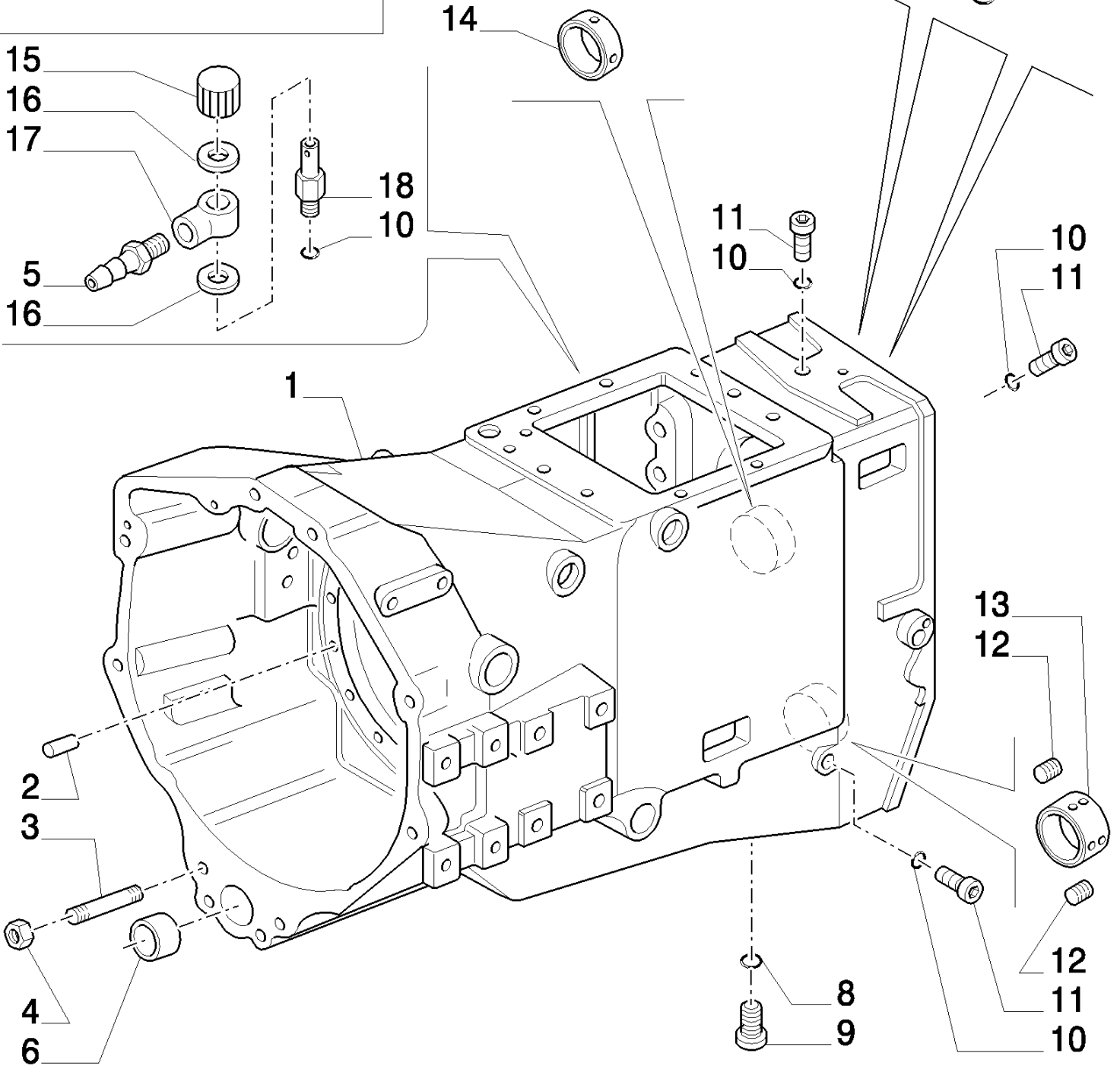
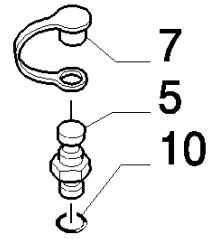
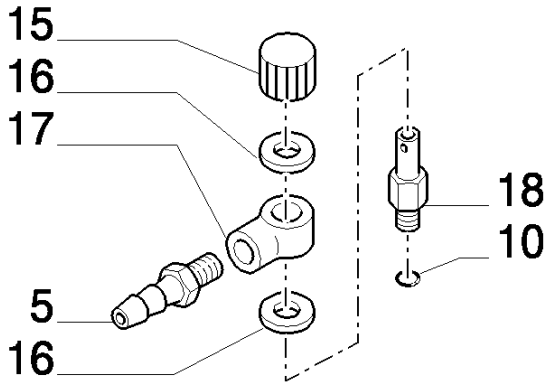
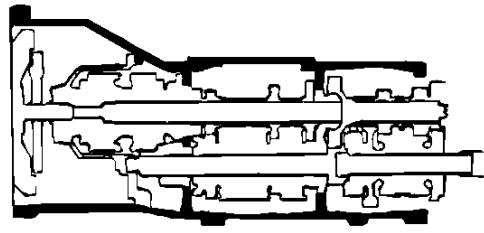


MXM155 CASE IH TRACTOR (6/02- )

1.21.0/02 (VAR.181/1) TRANSMISSION OIL HEATER

сылка	Номер детали	Кол-во	Описание
1	89846500	1	HEATER,
2	85700737	2	CLIP,
3	82015238	1	HARNESS, WIRE,

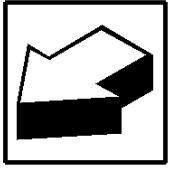
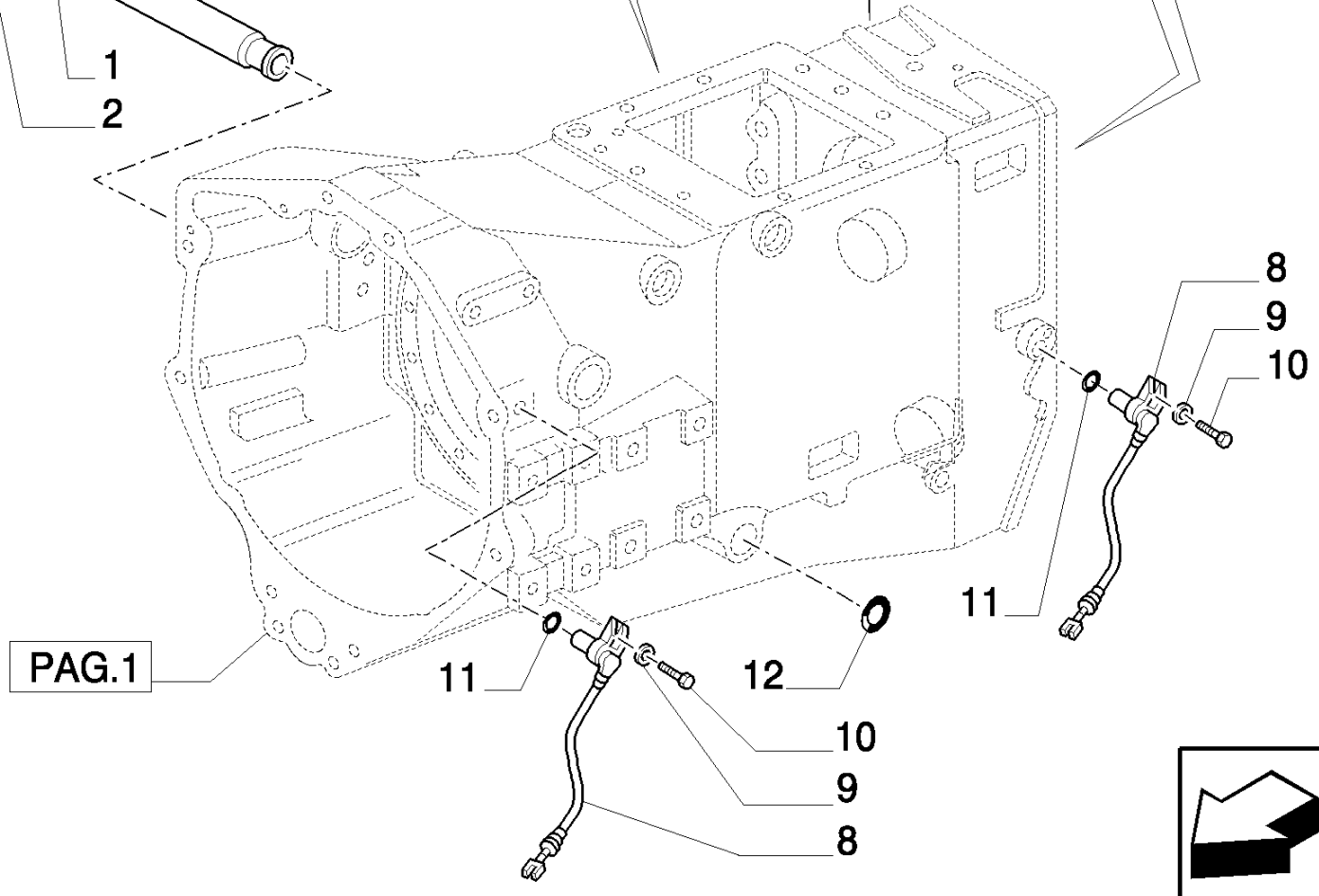
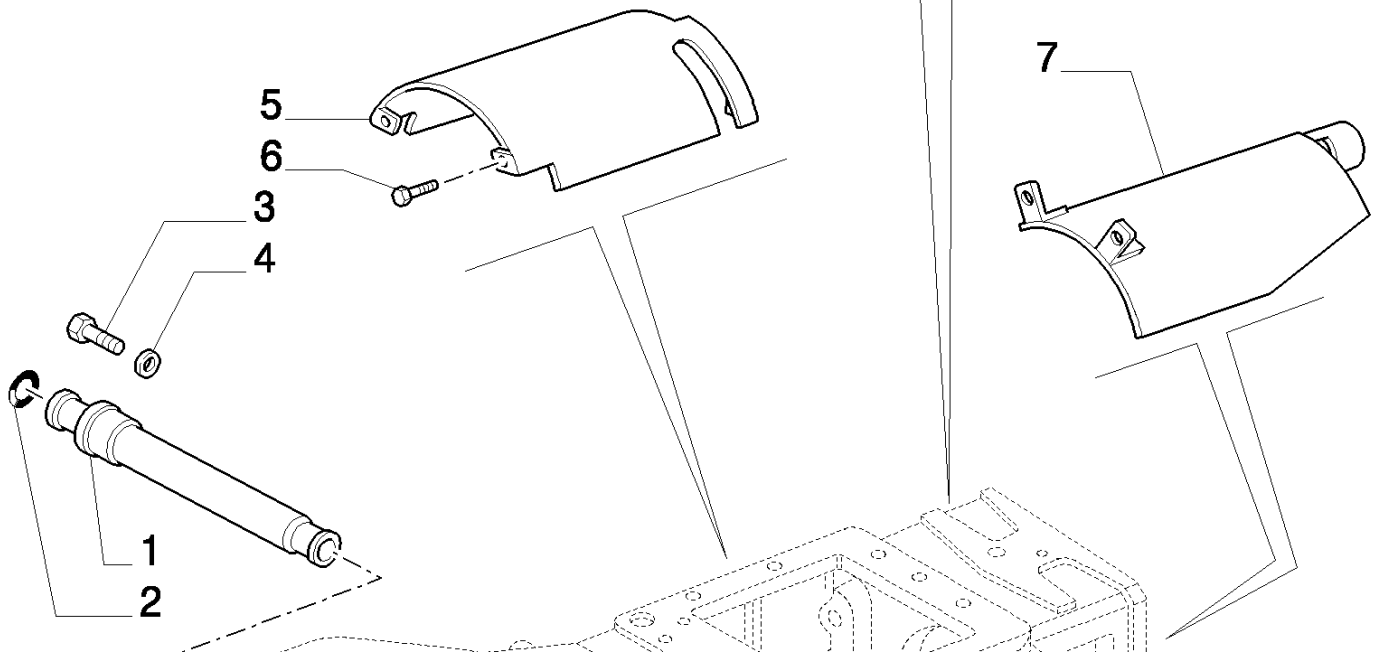
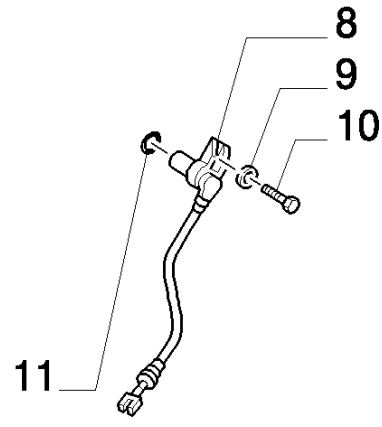
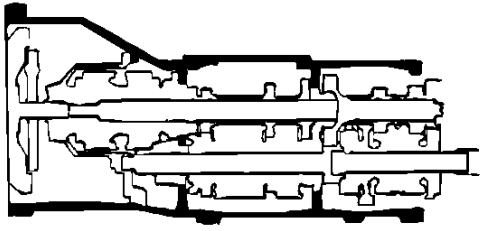




## MXM155 CASE IH TRACTOR (6/02- )

1.21.0/04(01) (VAR.281) FULL POWER-SHIFT TRANS. 18X6 (40 KPH-4WD) AND 17X6 (30 KPH) - HOUSING , GEARS

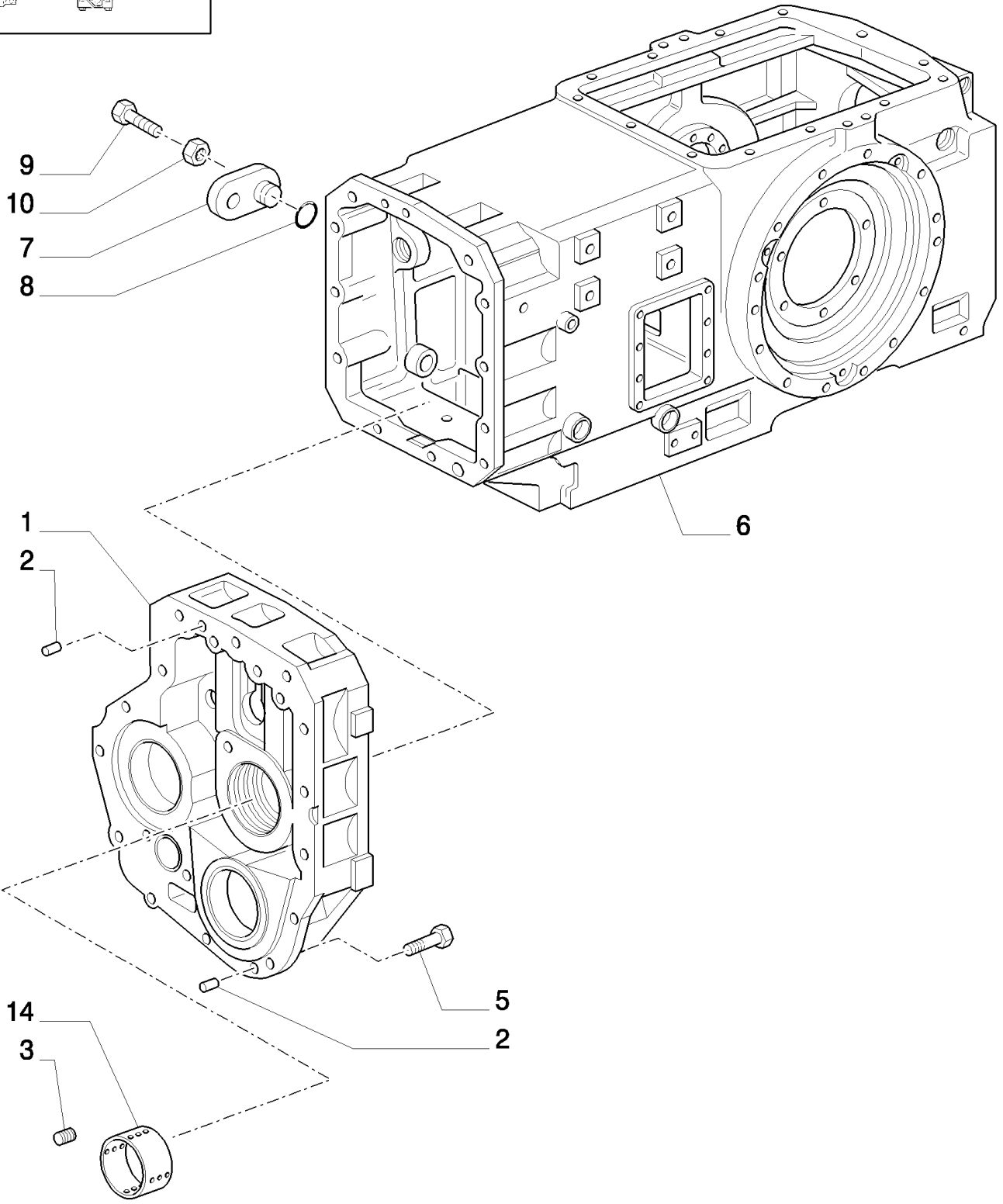
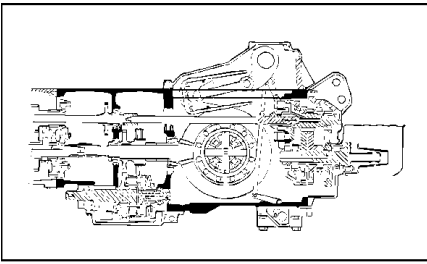
сылка	Номер детали	Кол-во	Описание
1	47125401	1	TRANSMISSION HOUSING,
2	10839710	2	DOWEL, M10 x 15
3	5185876	2	SCREW,
4	80280954	2	NUT, 3/4"-10
5	5185423	4	COUPLING,
6	5139075	1	PLUG, 2WD
7	5185424	4	PLUG,
8	14438285	1	O-RING, 29.5MM ID x 3.0 Thk,
9	5187246	1	PLUG, M33 x 2
10	14437785	8	O-RING, 11.3MM ID x 2.4 Thk,
11	10118711	3	PLUG, M14 x 1.5 x 12, Cl5.8,
12	10275501	2	PLUG, M12 x 1.25
13	5189017	1	BUSHING, 90.020/90.050 x 100.050/100.065 x 52.5
14	5189016	1	BUSHING, 90.020/90.050 x 100.050/100.065 x 28
15	10183217	1	NUT, Banjo, M12 x 1.5, 2-Way,
16	4858607	2	WASHER, COPPER,
17	5189334	1	END FITTING,
18	5189333	1	BOLT, BANJO,



## MXM155 CASE IH TRACTOR (6/02- )

1.21.0/04(02) (VAR.281) FULL POWER-SHIFT TRANS. 18X6 (40 KPH-4WD) AND 17X6 (30 KPH) - HOUSING , GEARS

сылка	Номер детали	Кол-во	Описание
1	5172331	1	TUBE,
2	14464681	1	O-RING, -228, CI 7, 2.234" ID x .139" Thk,
3	16043324	1	BOLT, Hex, M8 x 18, 8.8, Full Thd,
4	12646204	1	WASHER, M8 x 35 x 3,
5	5179239	1	GUARD,
6	14305624	4	SCREW, Hex Soc Hd, M6 x 35, 8.8,
7	5185307	1	GUARD,
8	87564756	3	SENSOR, Speed, Hall Effect, High Sens
9	10615474	3	WASHER, LOCK, Ext Tooth, M6,
10	14305221	3	SCREW, Hex Soc Hd, M6 x 16, 8.8,
11	47136259	3	O-RING, 3 x 17.2
11	5135738	3	O-RING, -115, CI 9, .674" ID x .103" Thk,
12	14464580	1	O-RING, -227, 70 Duro, 2.109" ID x .139" Thk,

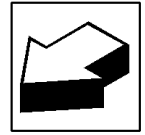
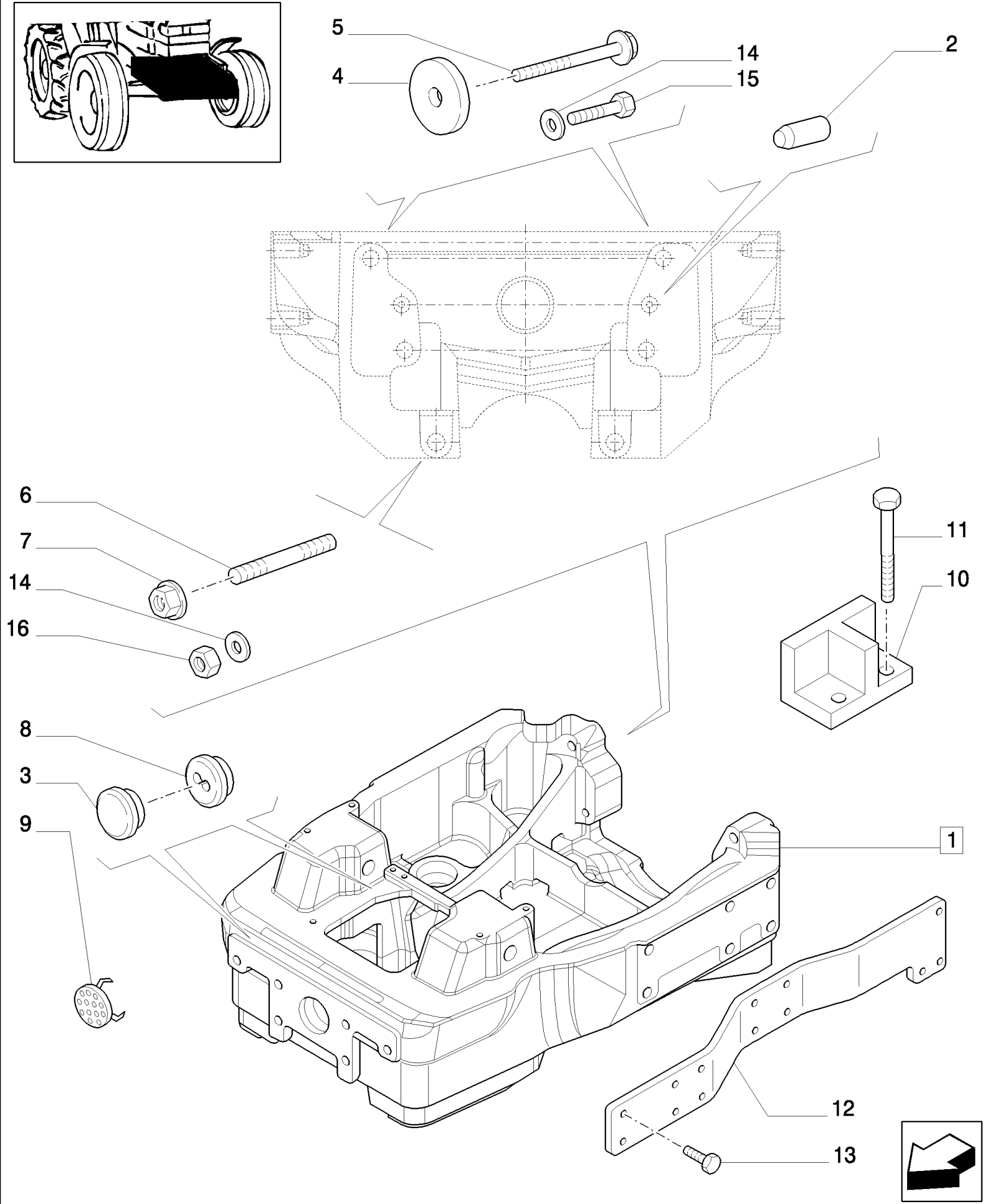
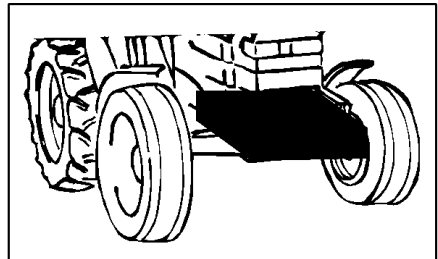


## MXM155 CASE IH TRACTOR (6/02- )

1.21.0/04(03) (VAR.281) FULL POWER-SHIFT TRANS. 18X6 (40 KPH-4WD) AND 17X6 (30 KPH) - HOUSING , GEARS

сылка	Номер детали	Кол-во	Описание
1	5183810	1	SPACER,
2	4985062	2	DOWEL, M15 x 25
3	10275501	1	PLUG, M12 x 1.25
4	5189018	1	BUSHING, 90.020/90.050 x 100.050/100.065 x 52.5
5	11422030	14	BOLT, Hex, M14 x 1.5 x 55, 10.9,
6	47125362	1	HOUSING, Central
7	5167843	1	PLUG,
8	5135738	1	O-RING, -115, CI 9, .674" ID x .103" Thk,
9	10902024	1	BOLT, Hex, M6 x 12, 8.8, Full Thd,
10	10615474	1	WASHER, LOCK, Ext Tooth, M6,

1.21.1 SUPPORT FOR 2WD FRONT AXLE



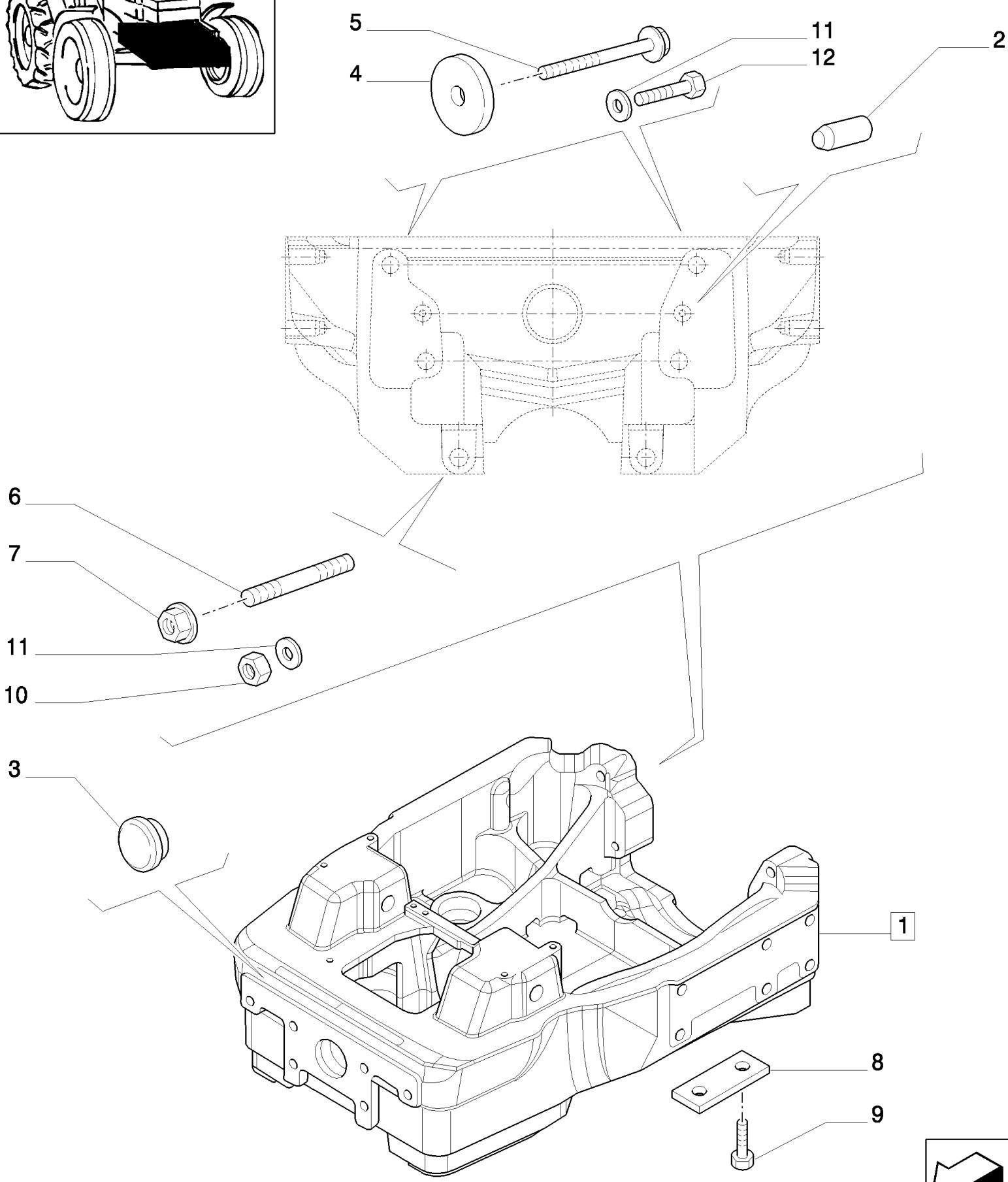
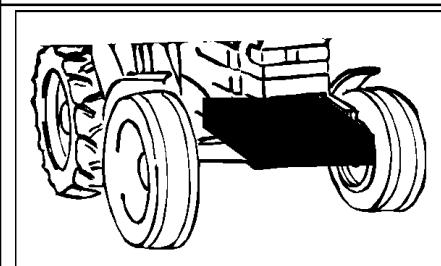
## MXM155 CASE IH TRACTOR (6/02- )

## 1.21.1 SUPPORT FOR 2WD FRONT AXLE

сылка	Номер детали	Кол-во	Описание
1	82024233	1	SUPPORT,
2	82019765	2	PIN, M20 x 50
3	82023395	2	PLUG,
4	82026240	AR	SHIM, 4.5mm Thk (Yellow),
4	82026248	AR	SHIM, 6.9mm Thk (Gold),
4	82026249	AR	SHIM, 7.2mm Thk (Lime),
4	82026250	AR	SHIM, 7.5mm Thk (Orange),
4	82026251	AR	SHIM, 7.8mm Thk (Blue/Gray),
4	82026247	AR	SHIM, 6.6mm Thk (Light Blue),
4	82026246	AR	SHIM, 6.3mm Thk (Pink),
4	82026245	AR	SHIM, 6.0mm Thk (Black),
4	82026241	AR	SHIM, 4.8mm Thk (Green),
4	82026242	AR	SHIM, 5.1mm Thk (Red),
4	82026243	AR	SHIM, 5.4mm Thk (Blue),
4	82026244	AR	SHIM, 5.7mm Thk (White),
5	82019767	4	SCREW,
6	82029230	2	SCREW,
7	82023393	2	NUT, M20 x 1.5
8	82031849	1	PLUG,
9	87312875	1	GRILLE,
10	82028185	2	BRACKET,
11	14422034	4	SCREW, Hex Soc Hd, M12 x 30, 10.9,
12	82036332	1	RAIL, SIDE, LH, MXM175, MXM190
12	82036333	1	RAIL, SIDE, RH, MXM175, MXM190
13	82020153	18	SCREW, Self Locking, M20 x 2.5 x 58, 12.9
14	82028022	6	WASHER,
15	87310864	2	SCREW, M20 x 1.5 x 93
16	87312644	4	NUT, M20 x 1.5



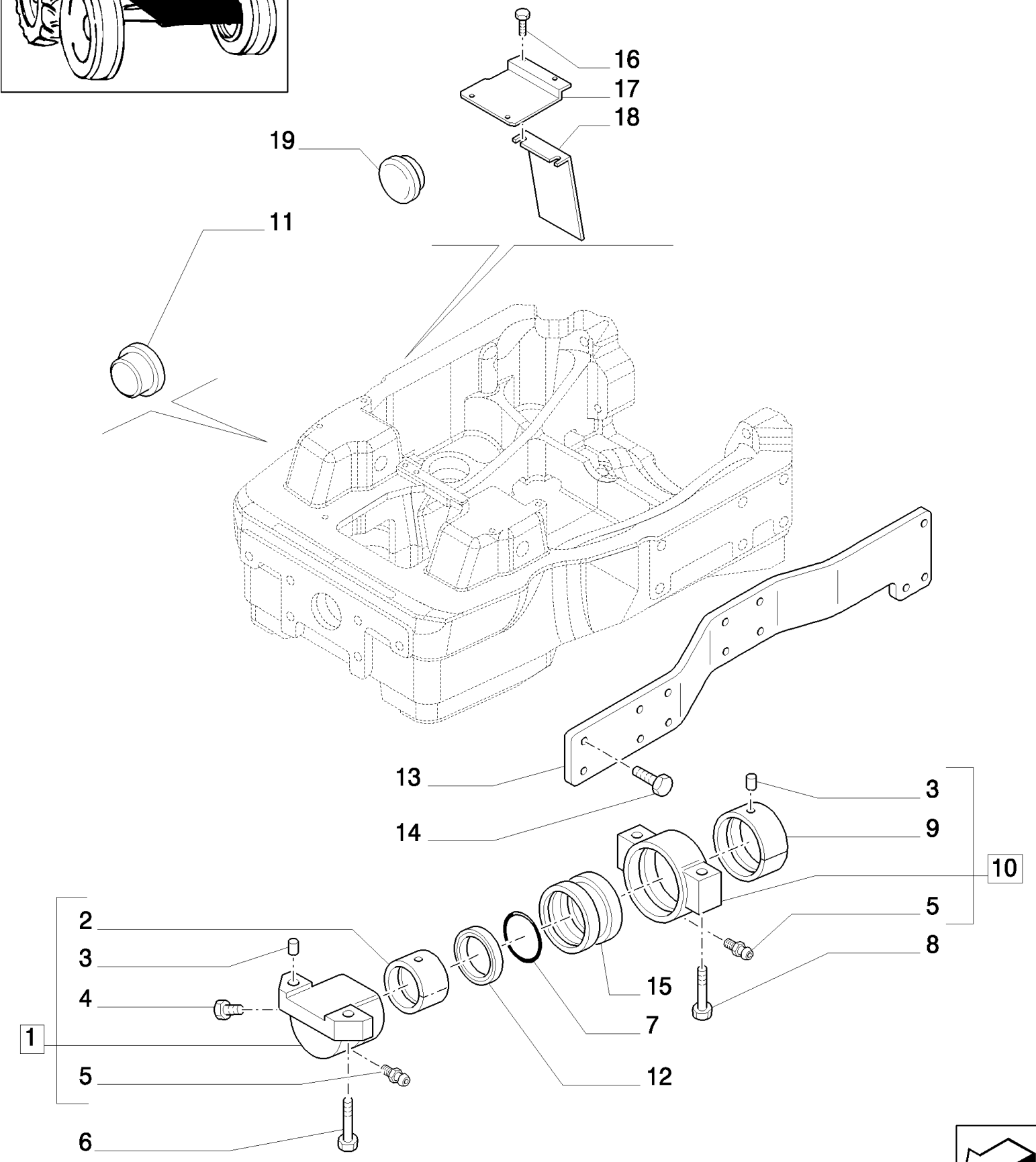
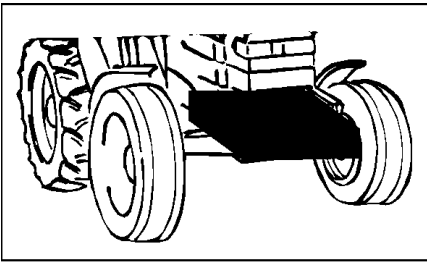
1.21.1/01(01) SUPPORT FOR 4WD FRONT AXLE



## MXM155 CASE IH TRACTOR (6/02- )

## 1.21.1/01(01) SUPPORT FOR 4WD FRONT AXLE

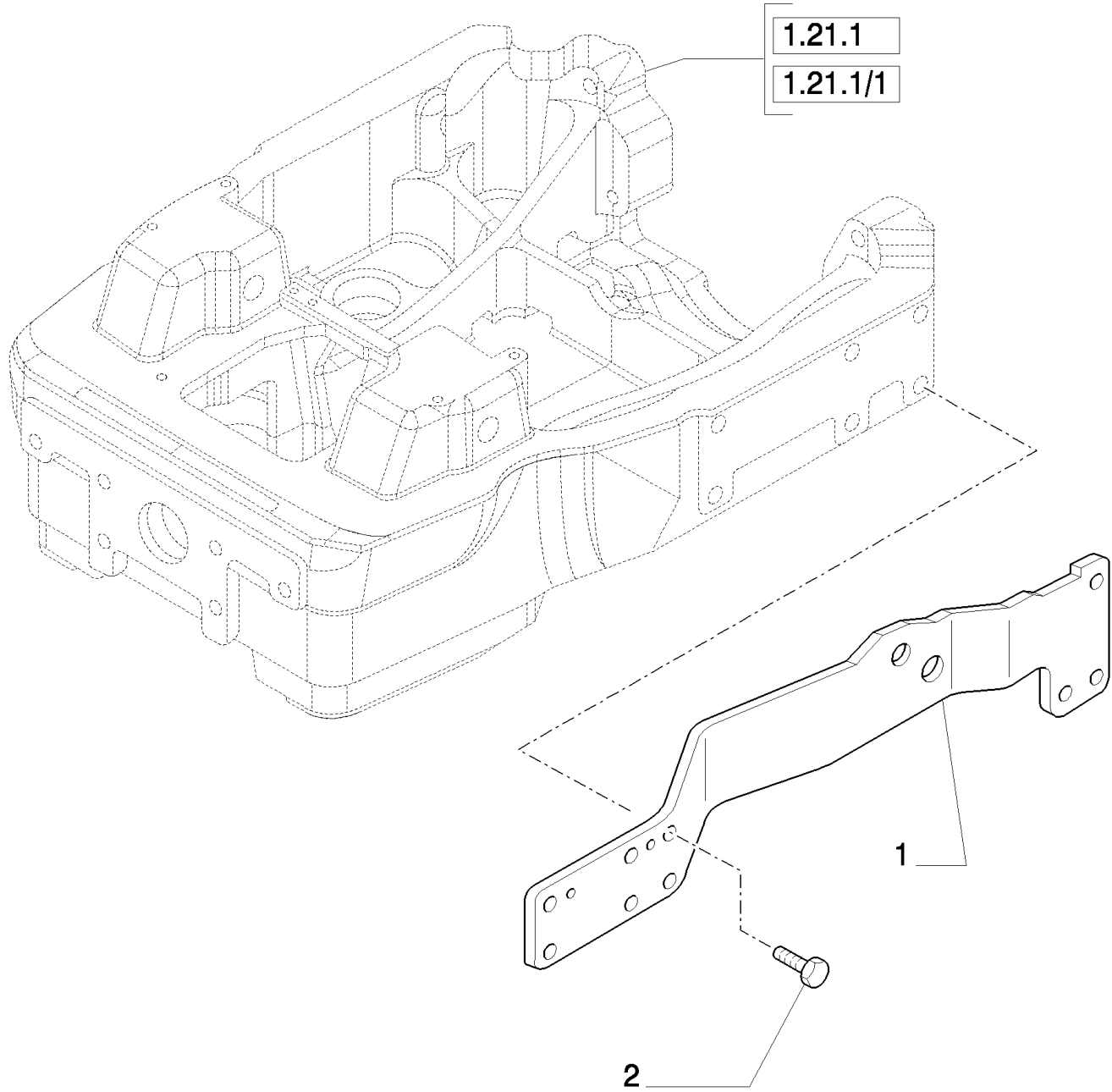
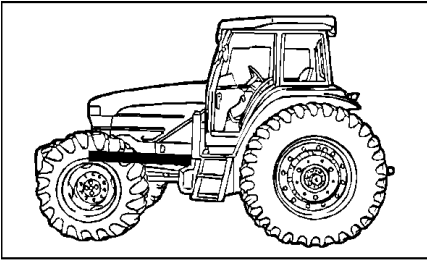
сылка	Номер детали	Кол-во	Описание
1	82037028	1	SUPPORT,
2	82019765	2	PIN, M20 x 50
3	82023395	2	PLUG,
4	82026240	AR	SHIM, 4.5mm Thk (Yellow),
4	82026248	AR	SHIM, 6.9mm Thk (Gold),
4	82026249	AR	SHIM, 7.2mm Thk (Lime),
4	82026250	AR	SHIM, 7.5mm Thk (Orange),
4	82026251	AR	SHIM, 7.8mm Thk (Blue/Gray),
4	82026247	AR	SHIM, 6.6mm Thk (Light Blue),
4	82026246	AR	SHIM, 6.3mm Thk (Pink),
4	82026245	AR	SHIM, 6.0mm Thk (Black),
4	82026241	AR	SHIM, 4.8mm Thk (Green),
4	82026242	AR	SHIM, 5.1mm Thk (Red),
4	82026242	AR	SHIM, 5.1mm Thk (Red),
4	82026244	AR	SHIM, 5.7mm Thk (White),
5	82019767	4	SCREW,
6	87301870	2	STUD,
7	82023393	2	NUT, M20 x 1.5
8	5167043	2	PLATE,
9	82015433	4	SCREW, M10 x 25
10	87312644	2	NUT, M20 x 1.5
11	82028022	6	WASHER,
12	87310864	4	SCREW, M20 x 1.5 x 93



## MXM155 CASE IH TRACTOR (6/02- )

## 1.21.1/01(03) SUPPORT FOR 4WD FRONT AXLE

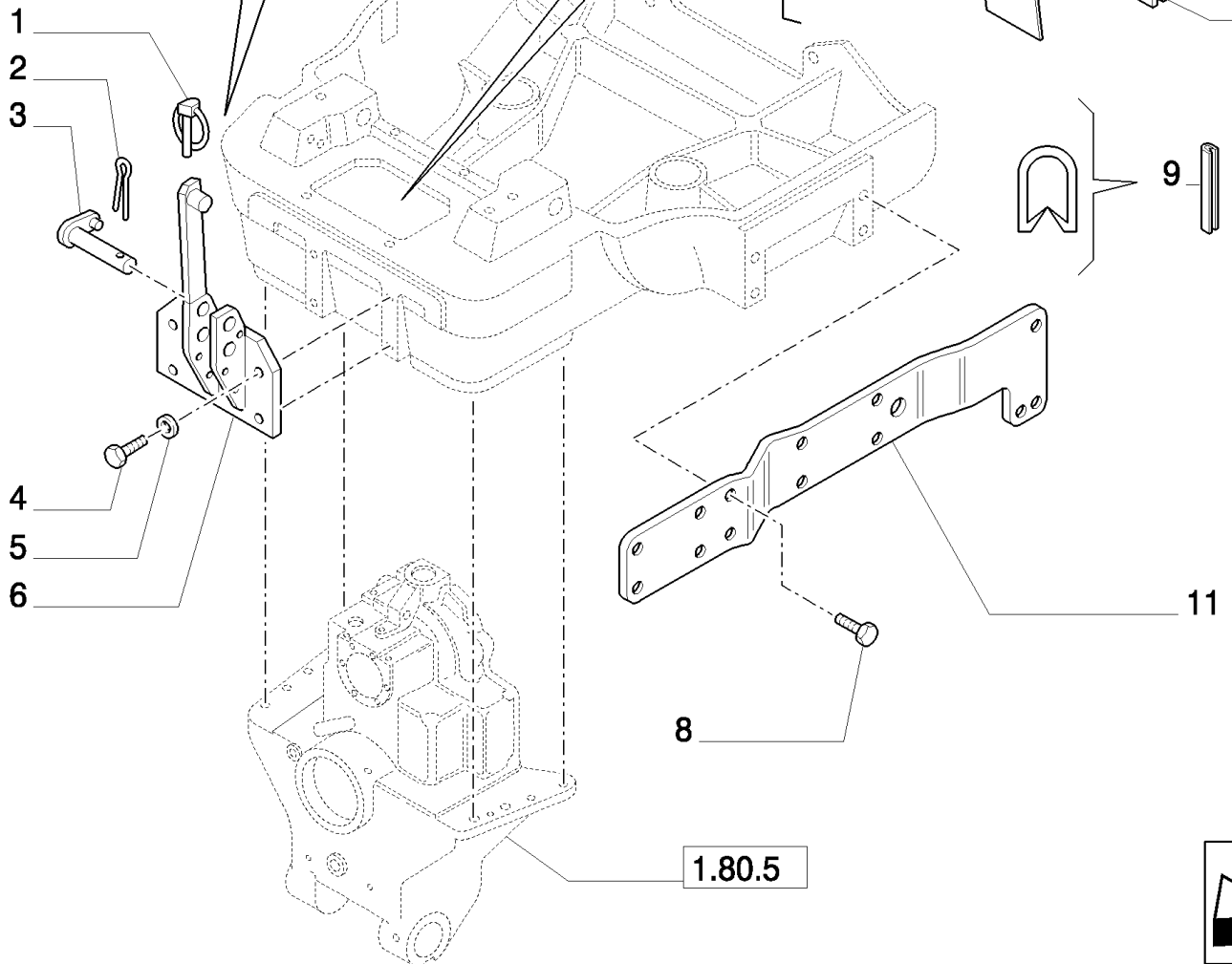
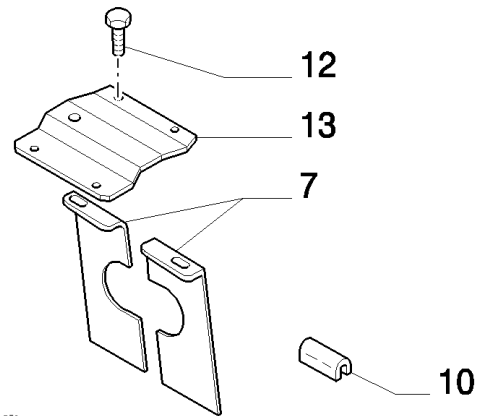
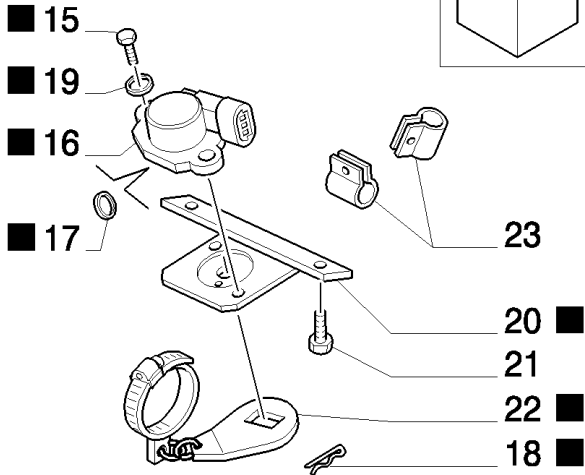
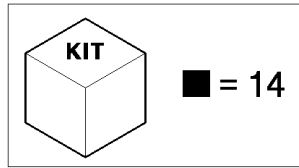
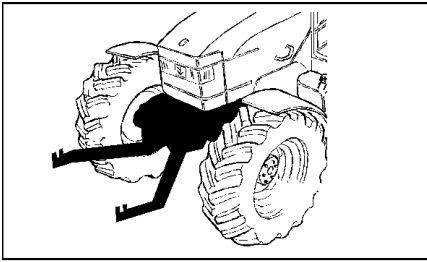
сылка	Номер детали	Кол-во	Описание
1	5140890	1	SUPPORT,
2	5140889	1	BUSHING,
3	10837710	4	DOWEL, M10 x 25,
4	13410917	1	VALVE, PRESSURE RELIEF,
5	13407211	2	NIPPLE, LUBE, M10 x 1,
6	14272031	2	SCREW, M18 x 1.5 x 65
7	14471680	1	O-RING, -333, 70 Duro, 2.475" ID x .210" Thk,
8	14272534	2	BOLT, Hex, M18 x 1.5 x 100,
9	5140589	1	BUSHING,
10	5148528	1	SUPPORT,
11	82013380	4	COVER,
12	5140888	1	RING,
13	82036332	1	RAIL, SIDE, LH, MXM175, MXM190
13	82036333	1	RAIL, SIDE, RH, MXM175, MXM190
14	82020153	16	SCREW, Self Locking, M20 x 2.5 x 58, 12.9
15	5188607	2	SEAL,
16	15970524	4	BOLT, Hex, M10 x 1.25 x 20, 8.8, Full Thd,
17	5175024	1	GUARD, MXM155
18	5169749	1	GUARD, MXM155
19	5175030	4	PLUG, 31.5 x 10, MXM155
19	82032005	2	PLUG, 50.8 x 25.4, MXM155



## MXM155 CASE IH TRACTOR (6/02- )

## 1.21.1/02 (VAR.245) SIDE RAILS

сылка	Номер детали	Кол-во	Описание
1	82036332	1	RAIL, SIDE, LH
1	82036333	1	RAIL, SIDE, RH
1	82036336	1	RAIL, SIDE, LH, W/FRONT SUSPENSION
1	82036337	1	RAIL, SIDE, RH, W/FRONT SUSPENSION
2	82020153	18	SCREW, Self Locking, M20 x 2.5 x 58, 12.9



1.80.5

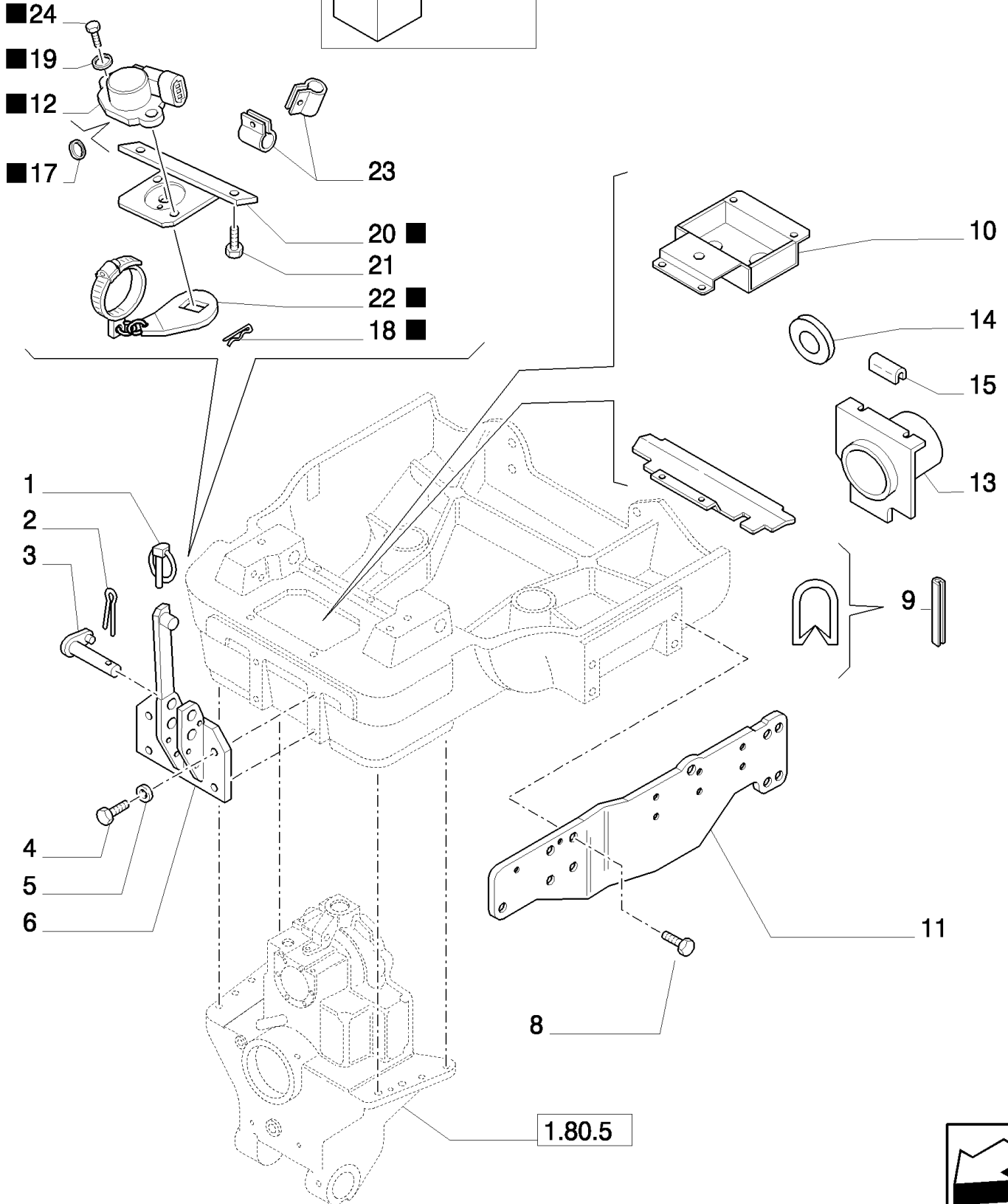
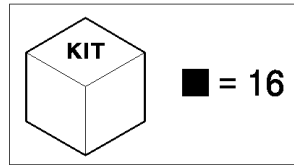
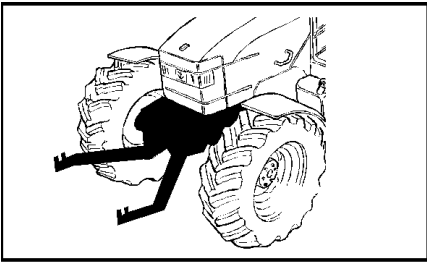


## MXM155 CASE IH TRACTOR (6/02- )

## 1.21.1/05 (VAR.780-781) LIFT AND FRONT PTO (WITH 6-21 SPLINES) CCLS - GUARDS FOR FRONT AXLE SUPPORT

сылка	Номер детали	Кол-во	Описание
1	82013836	1	PIN, LOCK,
2	5112606	1	PIN, SPLIT (COTTER),
3	82017214	1	PIN,
4	11125037	4	BOLT, Hex, M20 x 65, 10.9, Full Thd,
5	10572371	4	WASHER, LOCK, M20,
6	82015462	1	SUPPORT,
7	82015495	1	GUARD,
7	82019510	1	GUARD,
8	82020153	18	SCREW, Self Locking, M20 x 2.5 x 58, 12.9
9	82869674	1	MOLDING,
10	82015330	1	BUMPER, 55 mm lg
11	82036332	1	RAIL, SIDE, LH
11	82036333	1	RAIL, SIDE, RH
12	10979224	3	BOLT, Hex, M10 x 16, 8.8, Full Thd,
13	82035348	1	GUARD,
14	82018481	1	POTENTIOMETER, Front Hitch
15	15211421	2	BOLT, Hex, M5 x 30, 8.8, Full Thd,
16	82021037	1	POTENTIOMETER, Rotary Position
17	82018588	1	RING,
18	83957394	1	PIN, SPLIT (COTTER),
19	85700057	2	WASHER, LOCK, Serr, M5,
20	82018467	1	SUPPORT,
21	10902224	2	BOLT, Hex, M6 x 16, 8.8, Full Thd,
22	82018468	1	LEVER,
23	83946686	1	CLIP,

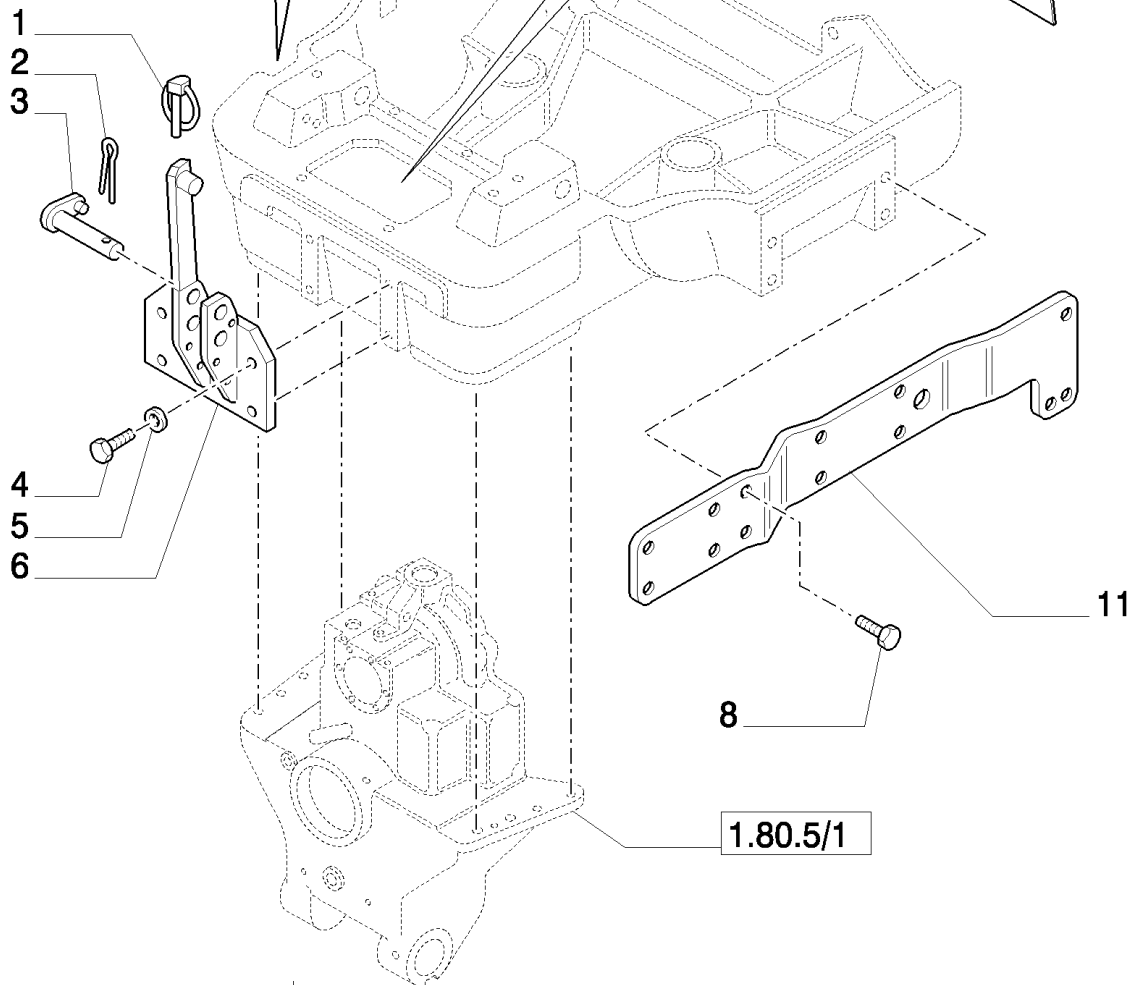
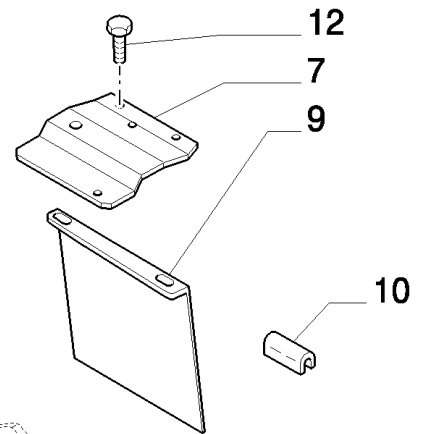
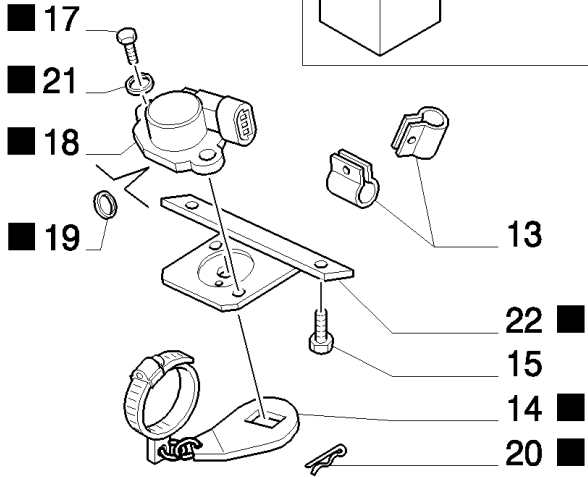
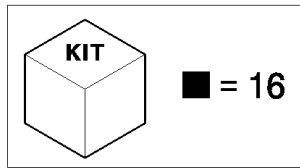
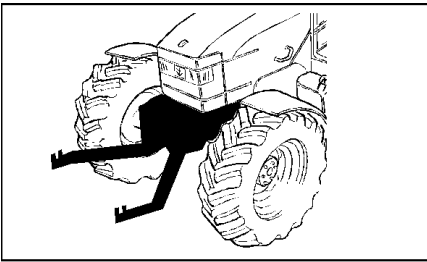




## MXM155 CASE IH TRACTOR (6/02- )

## 1.21.1/07 (VAR.780-781) LIFT AND FRONT PTO WITH 21 CCLS GROOVES FOR AXLE WITH SUSPENSIONS - GUARDS

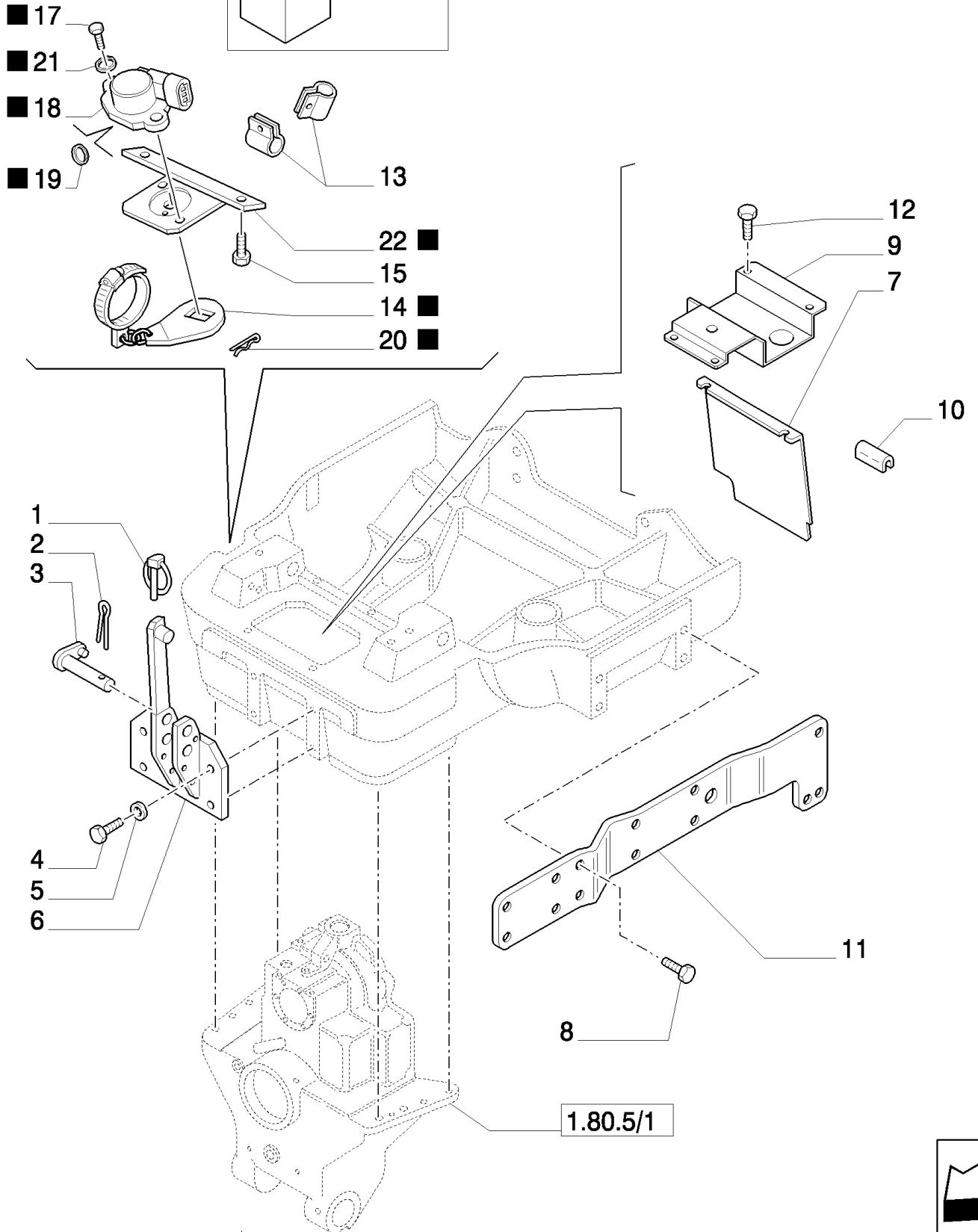
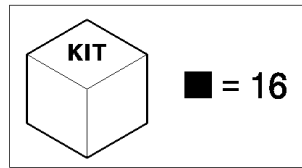
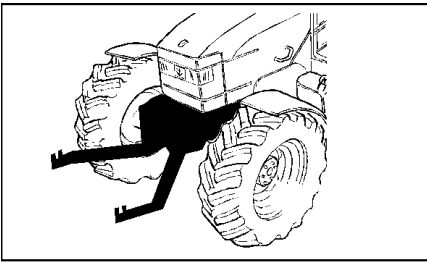
сылка	Номер детали	Кол-во	Описание
1	82013836	1	PIN, LOCK,
2	5112606	1	PIN, SPLIT (COTTER),
3	82017214	1	PIN,
4	11125037	4	BOLT, Hex, M20 x 65, 10.9, Full Thd,
5	10572371	4	WASHER, LOCK, M20,
6	82015462	1	SUPPORT,
7	82026683	1	PLATE, MXM120, MXM130
7	82026687	1	PLATE, MXM140, MXM155, MXM175, MXM190
8	82020153	18	SCREW, Self Locking, M20 x 2.5 x 58, 12.9
9	82869674	1	MOLDING,
10	87364758	1	GUARD,
11	82036336	1	RAIL, SIDE, LH
11	82036337	1	RAIL, SIDE, RH
12	82021037	3	POTENTIOMETER, Rotary Postion
13	87364761	1	GUARD,
14	82020548	1	GASKET, 85 x 145 x 50
15	82015330	3	BUMPER, 55 mm lg
16	82018481	1	POTENTIOMETER, Front Hitch
17	82018588	1	RING,
18	83957394	1	PIN, SPLIT (COTTER),
19	85700057	2	WASHER, LOCK, Serr, M5,
20	82018467	1	SUPPORT,
21	10902224	2	BOLT, Hex, M6 x 16, 8.8, Full Thd,
22	82018468	1	LEVER,
23	83946686	1	CLIP,
24	15211421	2	BOLT, Hex, M5 x 30, 8.8, Full Thd,



## MXM155 CASE IH TRACTOR (6/02- )

## 1.21.1/08 (VAR.789) FRONT HPL FOR CCLS - GUARDS

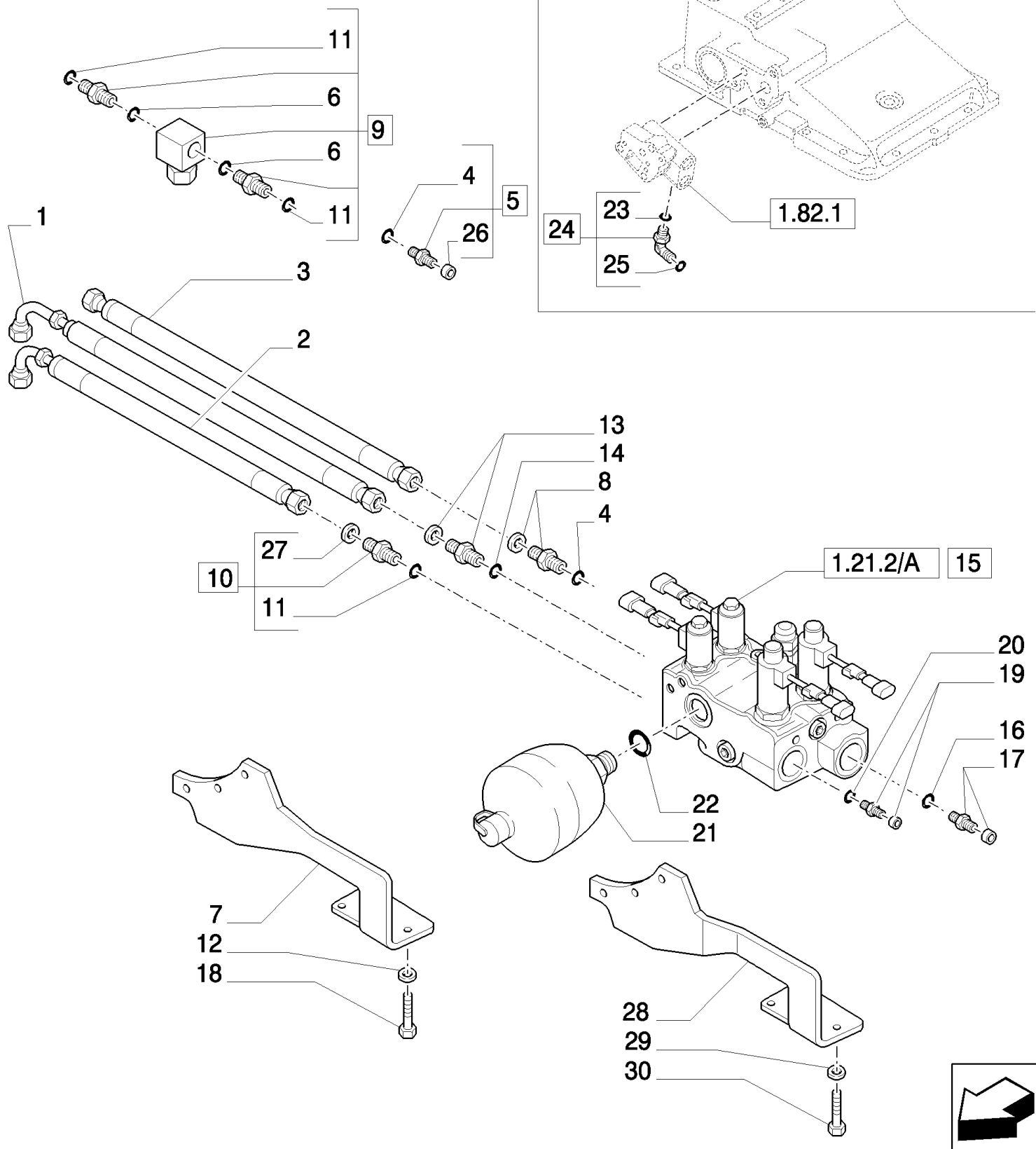
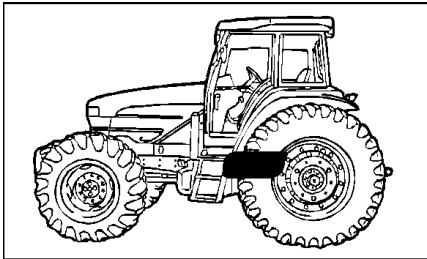
сылка	Номер детали	Кол-во	Описание
1	82013836	1	PIN, LOCK,
2	5112606	1	PIN, SPLIT (COTTER),
3	82017214	1	PIN,
4	11125037	4	BOLT, Hex, M20 x 65, 10.9, Full Thd,
5	10572371	4	WASHER, LOCK, M20,
6	82015462	1	SUPPORT,
7	82035346	1	GUARD,
8	82020153	18	SCREW, Self Locking, M20 x 2.5 x 58, 12.9
9	82015478	1	GUARD,
10	82015330	1	BUMPER, 55 mm lg
11	82036332	1	RAIL, SIDE, LH
11	82036333	1	RAIL, SIDE, RH
12	10979224	3	BOLT, Hex, M10 x 16, 8.8, Full Thd,
13	83946686	3	CLIP,
14	82018468	1	LEVER,
15	10902224	2	BOLT, Hex, M6 x 16, 8.8, Full Thd,
16	82018481	1	POTENTIOMETER, Front Hitch
17	15211421	1	BOLT, Hex, M5 x 30, 8.8, Full Thd,
18	82021037	1	POTENTIOMETER, Rotary Position
19	82018588	1	RING,
20	83957394	1	PIN, SPLIT (COTTER),
21	85700057	2	WASHER, LOCK, Serr, M5,
22	82018467	1	SUPPORT,



## MXM155 CASE IH TRACTOR (6/02- )

## 1.21.1/09 (VAR.789) FRONT HYDRAULIC LIFT FOR CCLS FOR AXLE WITH SUSPENSIONS - GUARDS

сылка	Номер детали	Кол-во	Описание
1	82013836	1	PIN, LOCK,
2	5112606	1	PIN, SPLIT (COTTER),
3	82017214	1	PIN,
4	11125037	4	BOLT, Hex, M20 x 65, 10.9, Full Thd,
5	10572371	4	WASHER, LOCK, M20,
6	82015462	1	SUPPORT,
7	82023237	1	GUARD,
8	82020153	18	SCREW, Self Locking, M20 x 2.5 x 58, 12.9
9	82034532	1	GUARD,
10	82015330	1	BUMPER, 55 mm lg
11	82036336	1	RAIL, SIDE, LH
11	82036337	1	RAIL, SIDE, RH
12	10979224	3	BOLT, Hex, M10 x 16, 8.8, Full Thd,
13	83946686	3	CLIP,
14	82018468	1	LEVER,
15	10902224	2	BOLT, Hex, M6 x 16, 8.8, Full Thd,
16	82018481	1	POTENTIOMETER, Front Hitch
17	15211421	1	BOLT, Hex, M5 x 30, 8.8, Full Thd,
18	82021037	1	POTENTIOMETER, Rotary Position
19	82018588	1	RING,
20	83957394	1	PIN, SPLIT (COTTER),
21	85700057	2	WASHER, LOCK, Serr, M5,
22	82018467	1	SUPPORT,



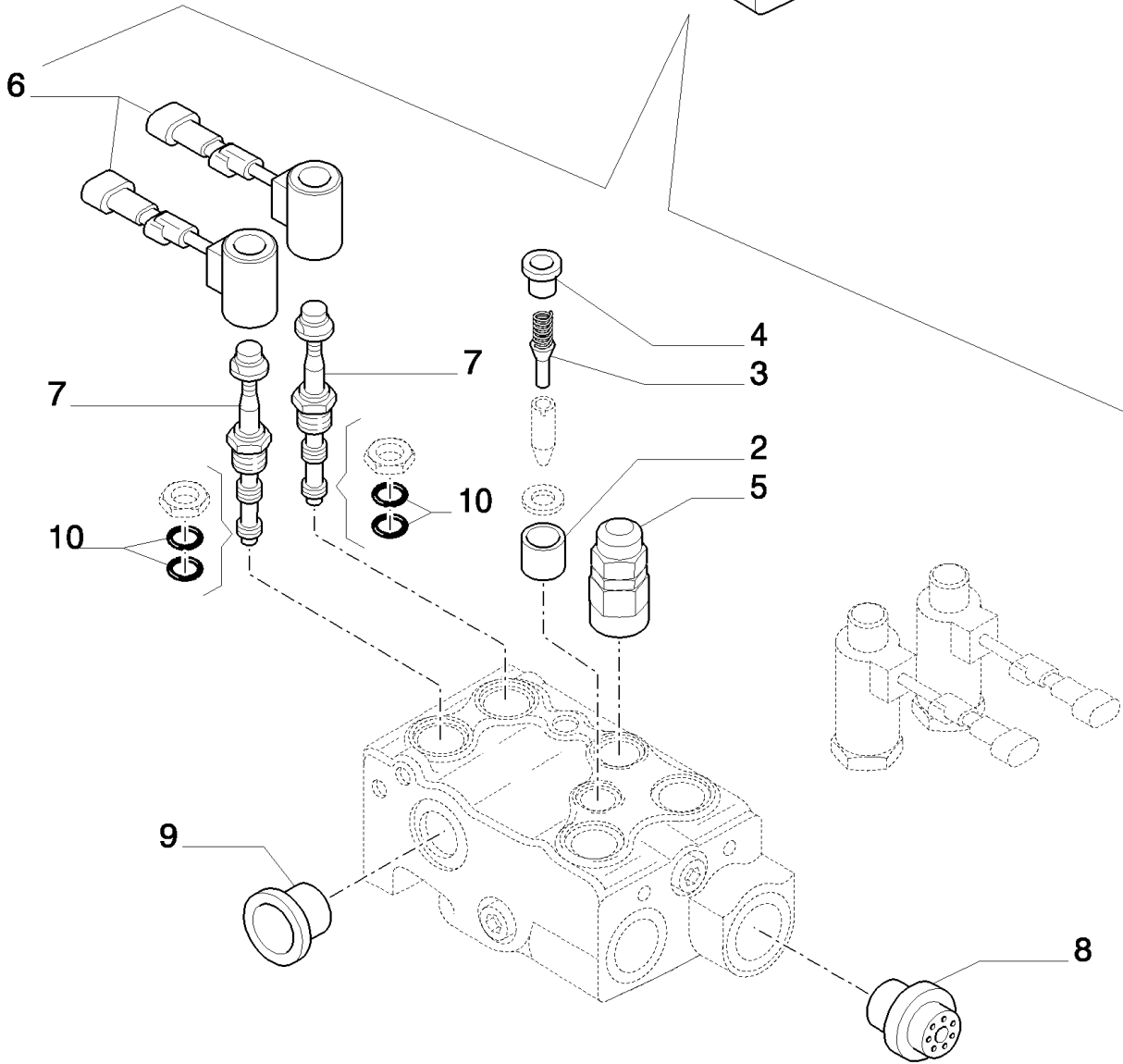
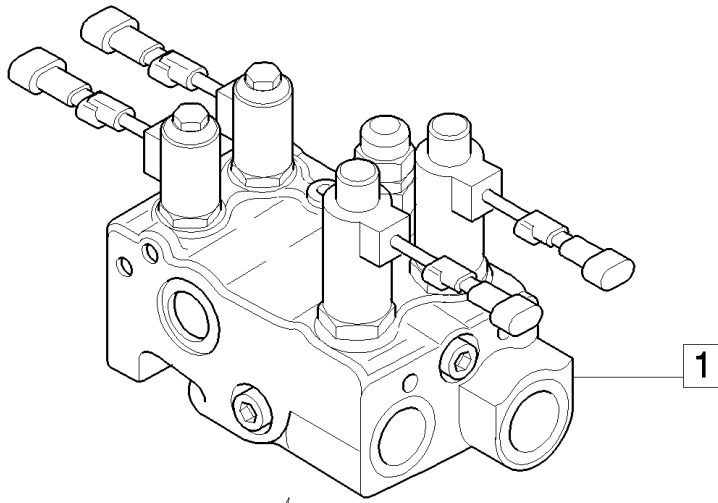
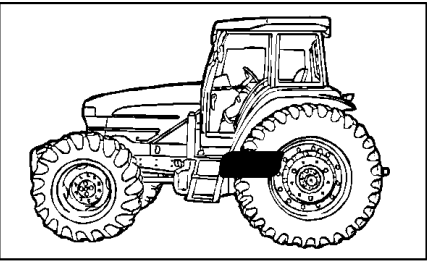
## MXM155 CASE IH TRACTOR (6/02- )

## 1.21.2 (VAR.420) 4WD FRONT AXLE WITH SUSPENSIONS AND TERRALOCK - SEMI POWER SHIFT - VALVE AND PIPES

сылка	Номер детали	Кол-во	Описание
1	82019095	1	HOSE, FLEXIBLE, Trailer Brake Main Pressure
2	82019096	1	HOSE, FLEXIBLE, Hydraulic Pump-Return, BSN ACM259775
2	87312858	1	HOSE, FLEXIBLE, Hydraulic Pump-Return, ASN ACM259776
3	82019094	1	HOSE, FLEXIBLE, Hydraulic Pump-Load Sense, BSN ACM259775
3	87312857	1	HOSE, FLEXIBLE, Hydraulic Pump-Load Sense, ASN ACM259776
4	89992298	2	O-RING, 90 Duro, .489" ID x .070" Thk
5	82016497	1	CONNECTOR, HYD., 13/16"-16 UN-2A/M22 x 1.5
6	165202	2	O-RING, 4-1, 90 Duro, .351" ID x .072" Thk,
7	82030647	1	BRACKET, , -C5349
8	82019684	1	CONNECTOR, HYD., 13/16"-16 UN-2A/M16 x 1.5
9	82018814	1	VALVE,
10	82016839	1	CONNECTOR, HYD., 9/16"-18 UN-2A/M10 x 1
11	9825770	3	O-RING, -011, 90 Duro, .301" ID x .070" Thk,
12	12605671	3	WASHER, LOCK, Int Tooth, M10, , -C5349
13	82019693	1	CONNECTOR, HYD., 11/16"-16 UN-2A/M14 x 1.5
14	81844851	1	O-RING, 90 Duro, .375" ID x .070" Thk
15	5197683	1	VALVE, HYDRAULIC, Suspension Control, BSN ACM222663
15	47135723	1	VALVE, HYDRAULIC, Suspension Control, ASN ACM222664
16	5185512	1	O-RING, M15.6 ID x 1.78 Thk
17	47125482	1	CONNECTOR, HYD., 1"-14 UN-2A/M27 x 2
18	16054721	3	BOLT, Hex, M10 x 1.25 x 40, 8.8, Full Thd, , -C5349
19	82019639	1	CONNECTOR, HYD., 13/16"-12 UN-2A/M27 x 2
20	89991976	1	O-RING, 90 Duro, .750" ID x .070" Thk
21	82025705	1	ACCUMULATOR,
22	14438285	1	O-RING, 29.5MM ID x 3.0 Thk,
23	14437885	1	O-RING, 13.3MM ID x 2.4 Thk,
24	82015686	1	ELBOW,
25	5185510	1	O-RING, M9.25 ID x 1.78 Thk
26	82016732	1	SEAL,
27	82016610	1	SEAL,
28	87532941	1	BRACKET, , D5349-
29	10615779	3	WASHER, LOCK, Ext Tooth, M10, , D5349-
30	16054724	3	BOLT, Hex, M10 x 1.25 x 40, 8.8, Full Thd, , D5349-

D4863 Serial N°ACM222664 D5145 Serial N°ACM259776 D5349 After Date 30 March 2006



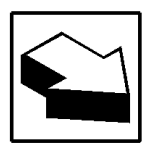
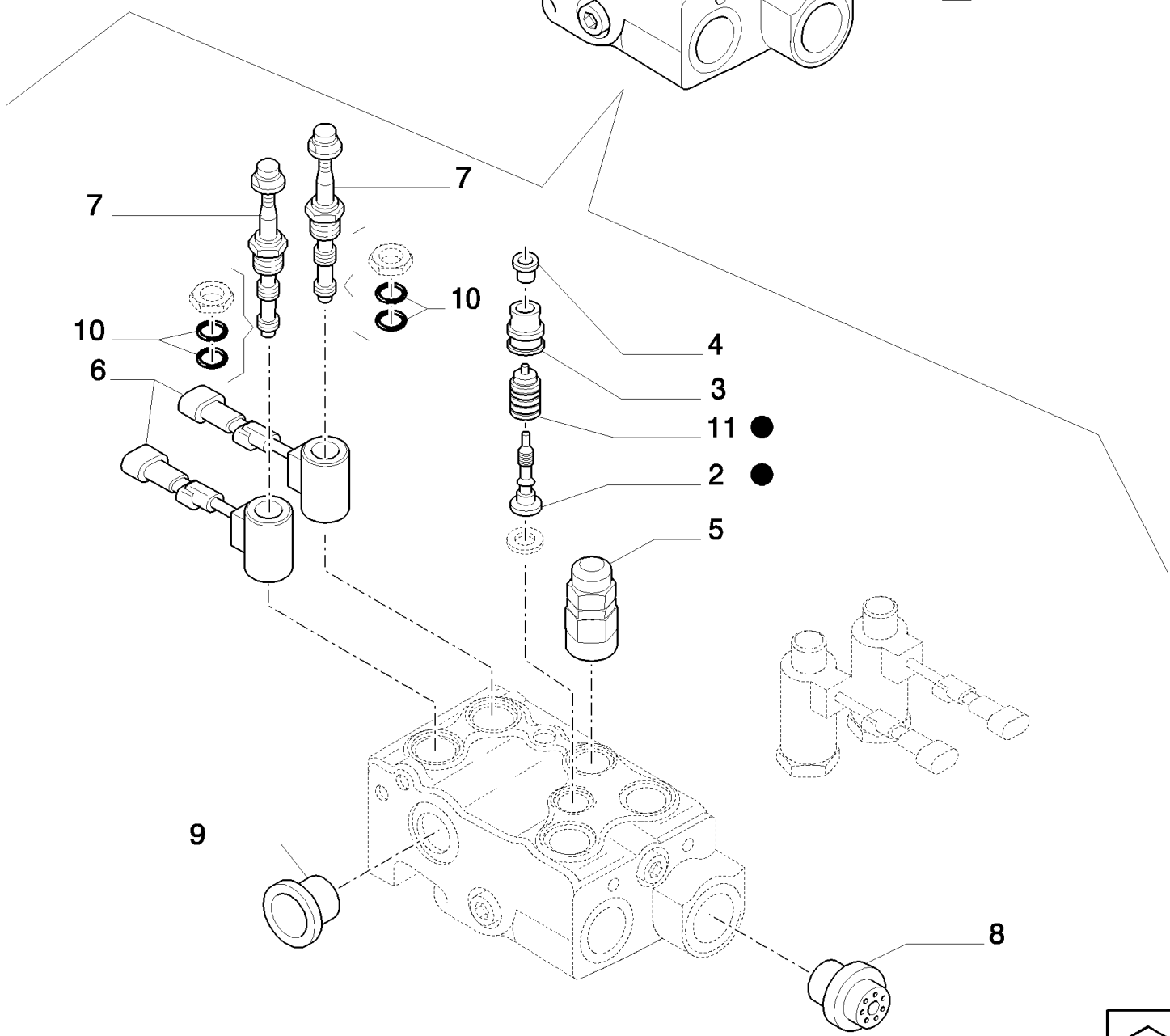
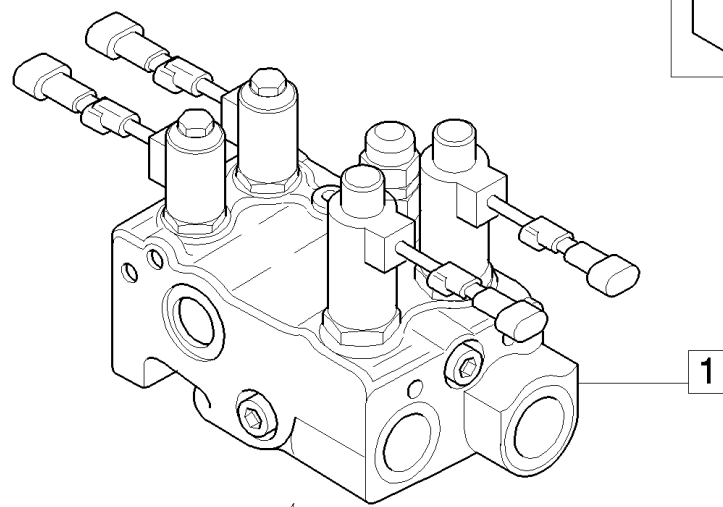
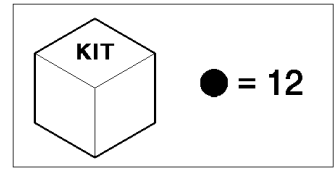
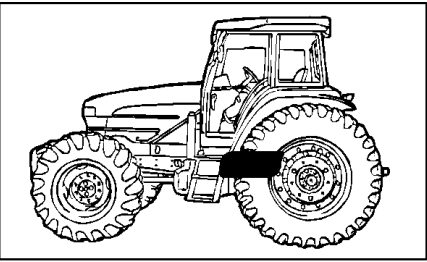


MXM155 CASE IH TRACTOR (6/02- )

1.21.2/ A(01) (VAR.420-452/1-463-463/1) VALVE SUSPENSION CONTROL - PARTS - C4863

сылка	Номер детали	Кол-во	Описание
1	5197683	2	VALVE, HYDRAULIC, Assy
2	47126454	1	SCREW,
3	47126453	1	POPPET, VALVE,
4	47126452	1	PLUG,
5	47126451	1	VALVE, PRESSURE RELIEF,
6	82025709	2	SOLENOID,
7	82024719	2	BODY,
8	47126450	1	VALVE, CHECK,
9	47126449	1	VALVE, CHECK,
10	82030357	2	KIT,

C4863 Serial N°ACM222664

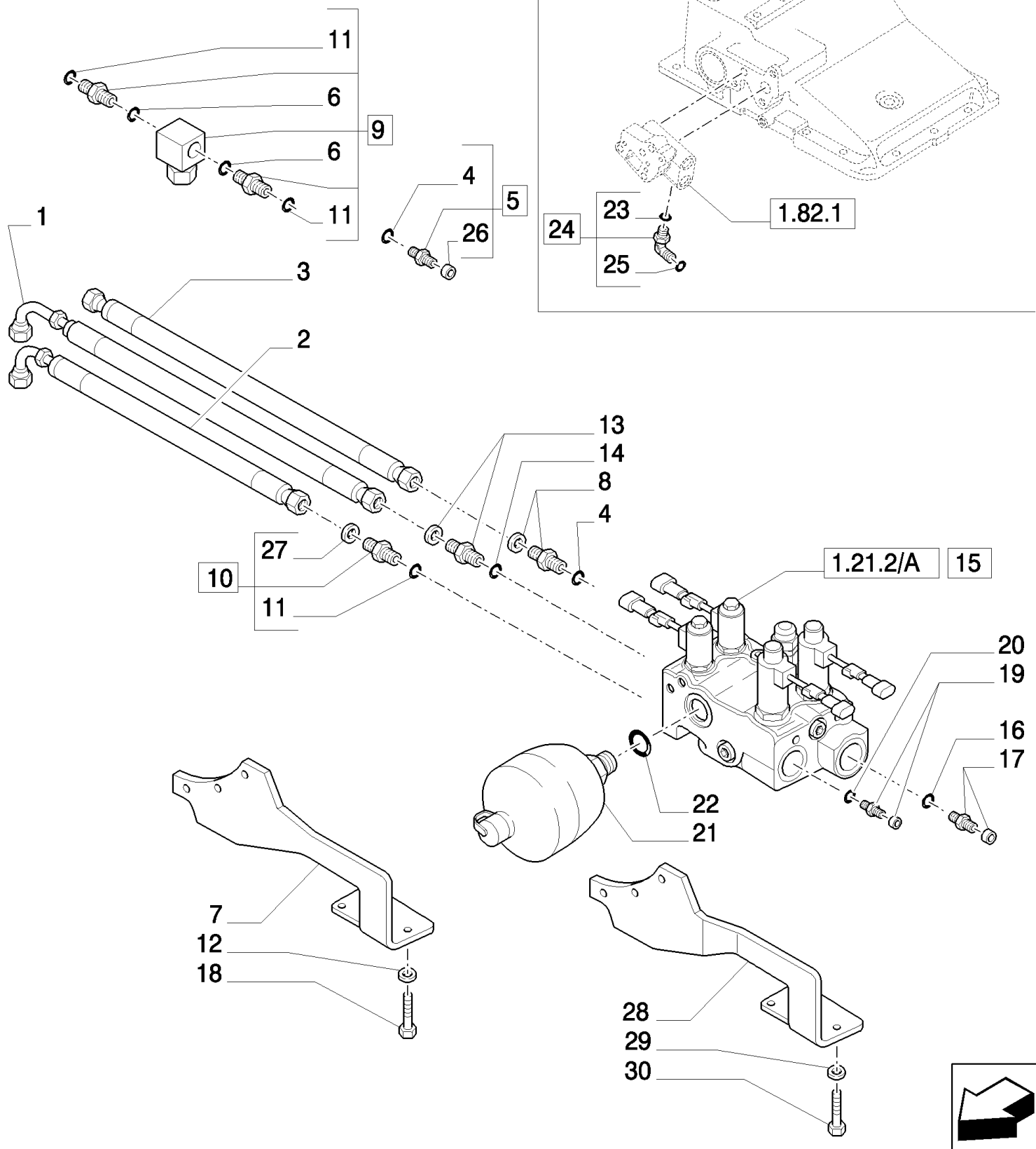
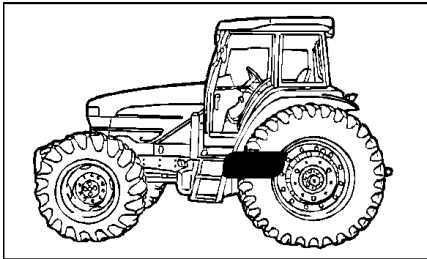


## MXM155 CASE IH TRACTOR (6/02- )

## 1.21.2/ A(01A) VALVE SUSPENSION CONTROL - PARTS - D4863

сылка	Номер детали	Кол-во	Описание
1	47135723	1	VALVE, HYDRAULIC, Assy
2	47126454	1	SCREW,
3	87437191	1	VALVE,
4	47126452	1	PLUG,
5	47126451	1	VALVE, PRESSURE RELIEF,
6	82025709	2	SOLENOID,
7	82025708	2	BODY,
8	47126450	1	VALVE, CHECK,
9	47126449	1	VALVE, CHECK,
10	87437896	2	KIT, SERVICE, Ball Check
11	87437192	1	PISTON,
12	87437896	1	KIT, SERVICE, Ball Check

D4863 Serial N°ACM222664 For Var.420, 452/1, 463, 463/1, 519, 520

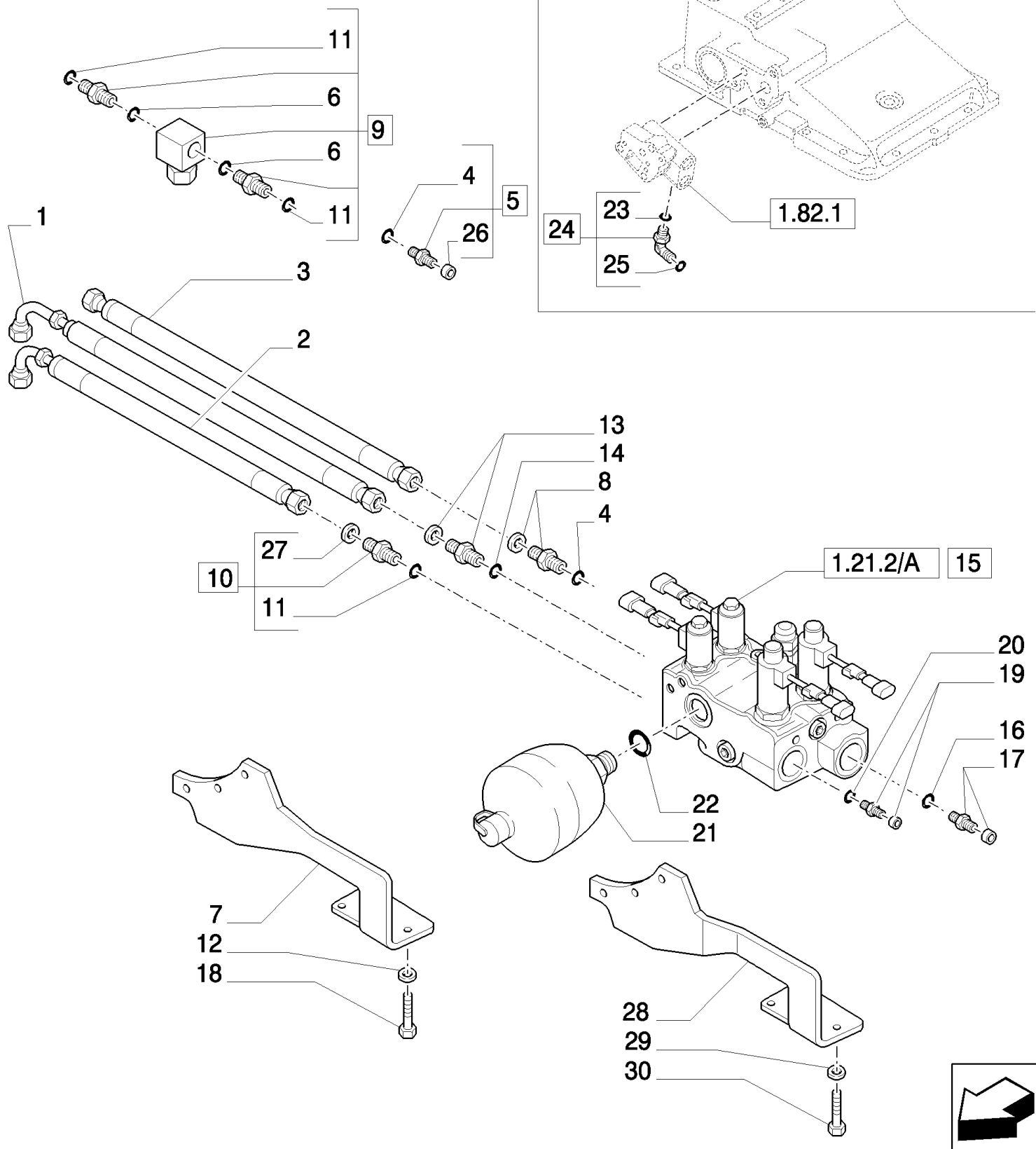
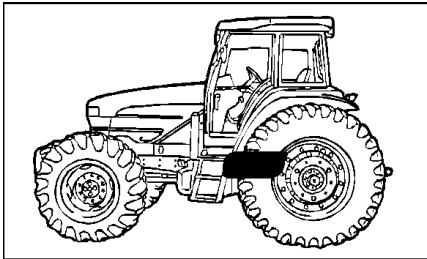


## MXM155 CASE IH TRACTOR (6/02- )

## 1.21.2/01 (VAR.452/1) 4WD FRONT AXLE WITH SUSPENSIONS AND TERRALOCK - SPS - VALVE AND PIPES

сылка	Номер детали	Кол-во	Описание
1	82019095	1	HOSE, FLEXIBLE, Trailer Brake Main Pressure
2	82019096	1	HOSE, FLEXIBLE, Hydraulic Pump-Return, BSN ACM259775
2	87312858	1	HOSE, FLEXIBLE, Hydraulic Pump-Return, ASN ACM259776
3	82019094	1	HOSE, FLEXIBLE, Hydraulic Pump-Load Sense, BSN ACM259775
3	87312857	1	HOSE, FLEXIBLE, Hydraulic Pump-Load Sense, ASN ACM259776
4	89992298	2	O-RING, 90 Duro, .489" ID x .070" Thk
5	82016497	1	CONNECTOR, HYD., 13/16"-16 UN-2A/M22 x 1,5
6	165202	2	O-RING, 4-1, 90 Duro, .351" ID x .072" Thk,
7	82030647	1	BRACKET, , -C5349
8	82019684	1	CONNECTOR, HYD., 13/16"-16 UN-2A/M16 x 1,5
9	82018814	1	VALVE,
10	82016839	1	CONNECTOR, HYD., 9/16"-18 UN-2A/M10 x 1
11	9825770	3	O-RING, -011, 90 Duro, .301" ID x .070" Thk,
12	12605671	3	WASHER, LOCK, Int Tooth, M10, , -C5349
13	82019693	1	CONNECTOR, HYD., 11/16"-16 UN-2A/M14 x 1.5
14	81844851	1	O-RING, 90 Duro, .375" ID x .070" Thk
15	5197683	1	VALVE, HYDRAULIC, Suspension Control, BSN ACM222663
15	47135723	1	VALVE, HYDRAULIC, Suspension Control, ASN ACM222664
16	5185512	1	O-RING, M15.6 ID x 1.78 Thk
17	47125482	1	CONNECTOR, HYD., 1"-14 UN-2A/M27 x 2
18	16054721	3	BOLT, Hex, M10 x 1.25 x 40, 8.8, Full Thd, , -C5349
19	82019639	1	CONNECTOR, HYD., 13/16"-12 UN-2A/M27 x 2
20	89991976	1	O-RING, 90 Duro, .750" ID x .070" Thk
21	82025705	1	ACCUMULATOR,
22	14438285	1	O-RING, 29.5MM ID x 3.0 Thk,
23	14437885	1	O-RING, 13.3MM ID x 2.4 Thk,
24	82015686	1	ELBOW,
25	5185510	1	O-RING, M9.25 ID x 1.78 Thk
26	82016732	1	SEAL,
27	82016610	1	SEAL,
28	87532941	1	BRACKET, , D5349-
29	10615779	3	WASHER, LOCK, Ext Tooth, M10, , D5349-
30	16054724	3	BOLT, Hex, M10 x 1.25 x 40, 8.8, Full Thd, , D5349-

D4863 Serial N°ACM222664 D5145 Serial N°ACM259776 D5349 After Date 30 March 2006



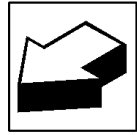
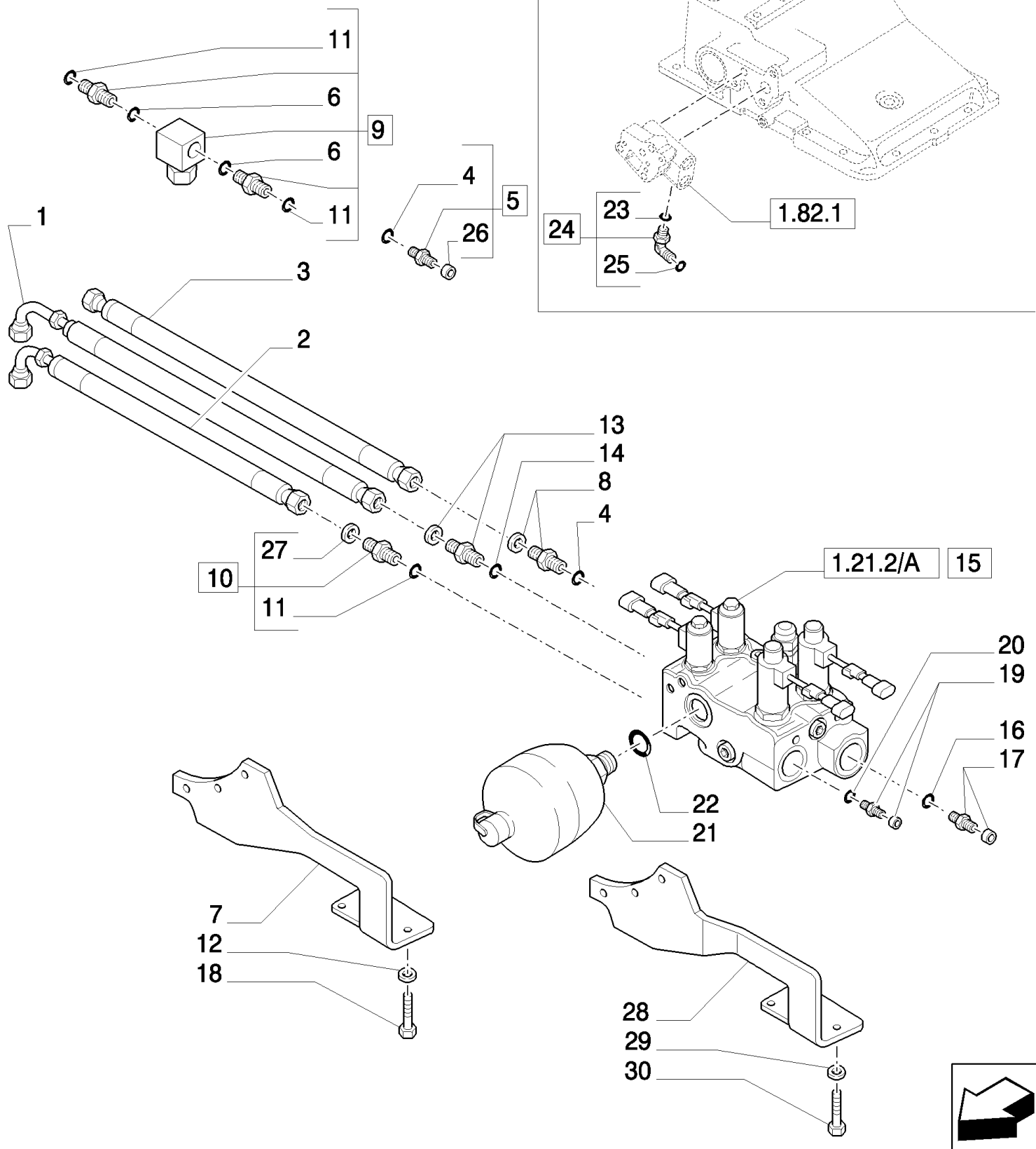
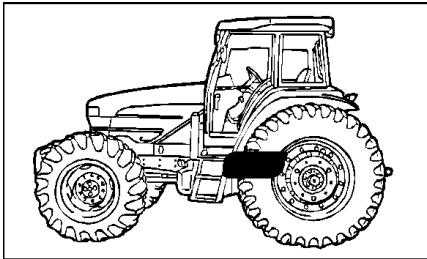
## MXM155 CASE IH TRACTOR (6/02- )

## 1.21.2/02(01) (VAR.463) 4WD FRONT AXLE WITH SUSPENSIONS, FULL POWER SHIFT - VALVE AND PIPES

сылка	Номер детали	Кол-во	Описание
1	82019095	1	HOSE, FLEXIBLE, Trailer Brake Main Pressure
2	82019096	1	HOSE, FLEXIBLE, Hydraulic Pump-Return, BSN ACM259775
2	87312858	1	HOSE, FLEXIBLE, Hydraulic Pump-Return, ASN ACM259776
3	82019094	1	HOSE, FLEXIBLE, Hydraulic Pump-Load Sense, BSN ACM259775
3	87312857	1	HOSE, FLEXIBLE, Hydraulic Pump-Load Sense, ASN ACM259776
4	89992298	2	O-RING, 90 Duro, .489" ID x .070" Thk
5	82016497	1	CONNECTOR, HYD., 13/16"-16 UN-2A/M22 x 1,5
6	165202	2	O-RING, 4-1, 90 Duro, .351" ID x .072" Thk,
7	82030647	1	BRACKET, , -C5349
8	82019684	1	CONNECTOR, HYD., 13/16"-16 UN-2A/M16 x 1,5
9	82018814	1	VALVE,
10	82016839	1	CONNECTOR, HYD., 9/16"-18 UN-2A/M10 x 1
11	9825770	3	O-RING, -011, 90 Duro, .301" ID x .070" Thk,
12	12605671	3	WASHER, LOCK, Int Tooth, M10, , -C5349
13	82019693	1	CONNECTOR, HYD., 11/16"-16 UN-2A/M14 x 1.5
14	81844851	1	O-RING, 90 Duro, .375" ID x .070" Thk
15	5197683	1	VALVE, HYDRAULIC, Suspension Control, BSN ACM222663
15	47135723	1	VALVE, HYDRAULIC, Suspension Control, ASN ACM222664
16	5185512	1	O-RING, M15.6 ID x 1.78 Thk
17	47125482	1	CONNECTOR, HYD., 1"-14 UN-2A/M27 x 2
18	16054721	3	BOLT, Hex, M10 x 1.25 x 40, 8.8, Full Thd, , -C5349
19	82019639	1	CONNECTOR, HYD., 13/16"-12 UN-2A/M27 x 2
20	89991976	1	O-RING, 90 Duro, .750" ID x .070" Thk
21	82025705	1	ACCUMULATOR,
22	14438285	1	O-RING, 29.5MM ID x 3.0 Thk,
23	14437885	1	O-RING, 13.3MM ID x 2.4 Thk,
24	82015686	1	ELBOW,
25	5185510	1	O-RING, M9.25 ID x 1.78 Thk
26	82016732	1	SEAL,
27	82016610	1	SEAL,
28	87532941	1	BRACKET, , D5349-
29	10615779	3	WASHER, LOCK, Ext Tooth, M10, , D5349-
30	16054724	3	BOLT, Hex, M10 x 1.25 x 40, 8.8, Full Thd, , D5349-

D4863 Serial N°ACM222664 D5145 Serial N°ACM259776 D5349 After Date 30 March 2006



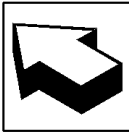
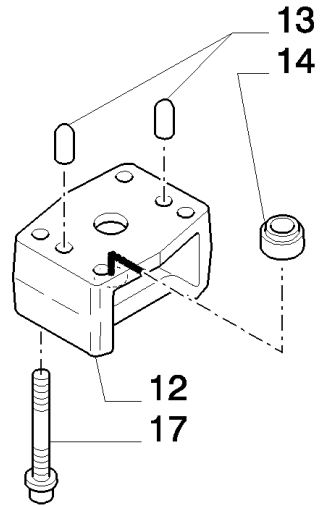
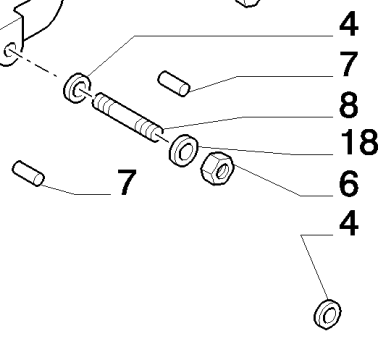
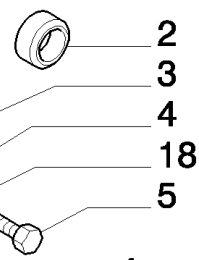
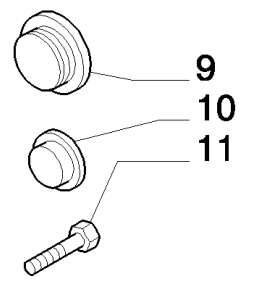
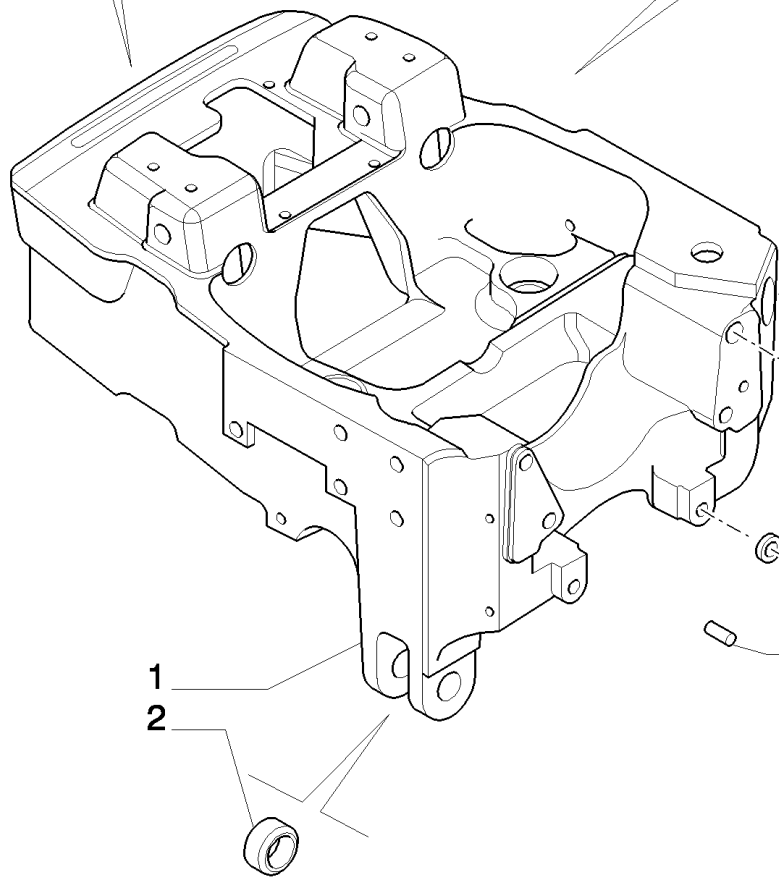
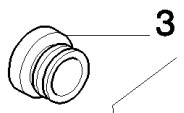
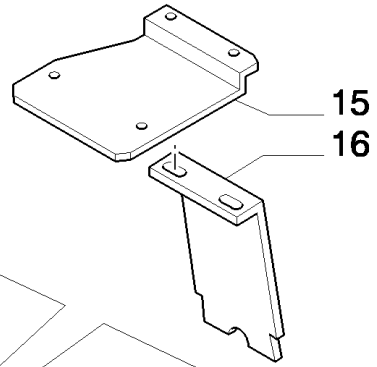
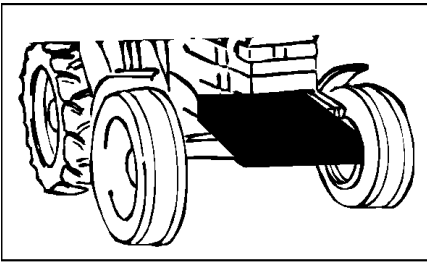


## MXM155 CASE IH TRACTOR (6/02- )

## 1.21.2/03(01) (VAR.463/1) 4WD FRONT AXLE WITH SUSPENSIONS, BRAKE, TERRALOCK, FPS - VALVE AND PIPES

сылка	Номер детали	Кол-во	Описание
1	82019095	1	HOSE, FLEXIBLE, Trailer Brake Main Pressure
2	82019096	1	HOSE, FLEXIBLE, Hydraulic Pump-Return, BSN ACM259775
2	87312858	1	HOSE, FLEXIBLE, Hydraulic Pump-Return, ASN ACM259776
3	82019094	1	HOSE, FLEXIBLE, Hydraulic Pump-Load Sense, BSN ACM259775
3	87312857	1	HOSE, FLEXIBLE, Hydraulic Pump-Load Sense, ASN ACM259776
4	89992298	2	O-RING, 90 Duro, .489" ID x .070" Thk
5	82016497	1	CONNECTOR, HYD., 13/16"-16 UN-2A/M22 x 1.5
6	165202	2	O-RING, 4-1, 90 Duro, .351" ID x .072" Thk,
7	82030647	1	BRACKET, , -C5349
8	82019684	1	CONNECTOR, HYD., 13/16"-16 UN-2A/M16 x 1.5
9	82018814	1	VALVE,
10	82016839	1	CONNECTOR, HYD., 9/16"-18 UN-2A/M10 x 1
11	9825770	3	O-RING, -011, 90 Duro, .301" ID x .070" Thk,
12	12605671	3	WASHER, LOCK, Int Tooth, M10, , -C5349
13	82019693	1	CONNECTOR, HYD., 11/16"-16 UN-2A/M14 x 1.5
14	81844851	1	O-RING, 90 Duro, .375" ID x .070" Thk
15	5197683	1	VALVE, HYDRAULIC, , BSN ACM222663
15	47135723	1	VALVE, HYDRAULIC, , ASN ACM222664
16	5185512	1	O-RING, M15.6 ID x 1.78 Thk
17	47125482	1	CONNECTOR, HYD., 1"-14 UN-2A/M27 x 2
18	16054721	3	BOLT, Hex, M10 x 1.25 x 40, 8.8, Full Thd, , -C5349
19	82019639	1	CONNECTOR, HYD., 13/16"-12 UN-2A/M27 x 2
20	89991976	1	O-RING, 90 Duro, .750" ID x .070" Thk
21	82025705	1	ACCUMULATOR,
22	14438285	1	O-RING, 29.5MM ID x 3.0 Thk,
23	14437885	1	O-RING, 13.3MM ID x 2.4 Thk,
24	82015686	1	ELBOW,
25	5185510	1	O-RING, M9.25 ID x 1.78 Thk
26	82016732	1	SEAL,
27	82016610	1	SEAL,
28	87532941	1	BRACKET, , D5349-
29	10615779	3	WASHER, LOCK, Ext Tooth, M10, , D5349-
30	16054724	3	BOLT, Hex, M10 x 1.25 x 40, 8.8, Full Thd, , D5349-

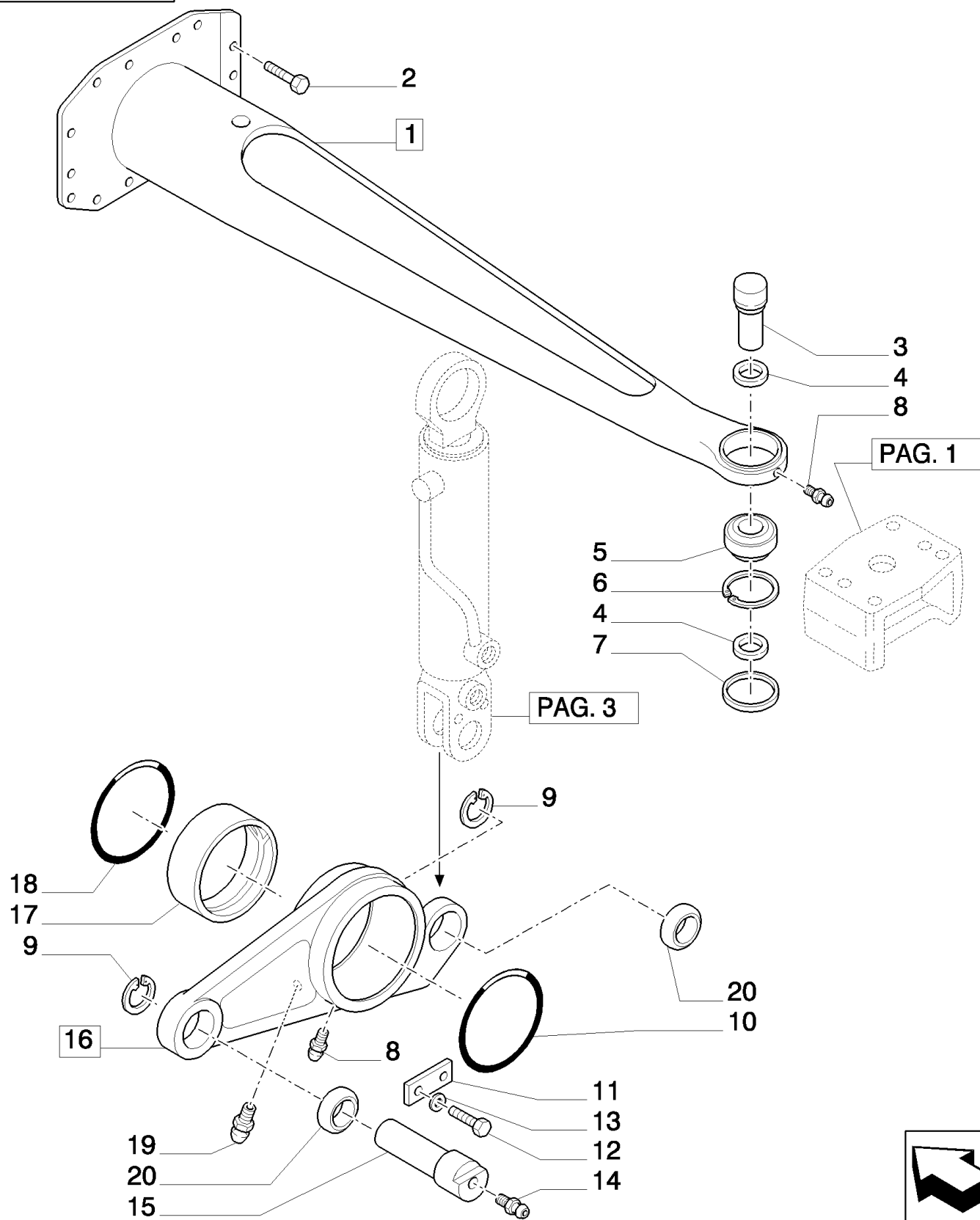
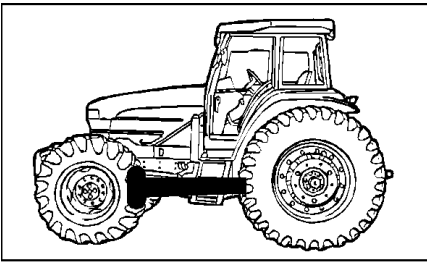
D4863 Serial N°ACM222664 D5145 Serial N°ACM259776 D5349 After Date 30 March 2006



## MXM155 CASE IH TRACTOR (6/02- )

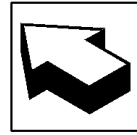
## 1.21.3(01) (VAR.420) 4WD FRONT AXLE WITH SUSPENSIONS AND TERRALOCK - SEMI POWER SHIFT - SUPPORT FOR FRONT

сылка	Номер детали	Кол-во	Описание
1	82031500	1	SUPPORT,
2	82018767	2	WASHER, THRUST, 34 x 44 x 15.5
3	82023395	1	PLUG,
4	82026240	AR	SHIM, 4.5mm Thk (Yellow),
4	82026241	AR	SHIM, 4.8mm Thk (Green),
4	82026242	AR	SHIM, 5.1mm Thk (Red),
4	82026243	AR	SHIM, 5.4mm Thk (Blue),
4	82026244	AR	SHIM, 5.7mm Thk (White),
4	82026245	AR	SHIM, 6.0mm Thk (Black),
4	82026246	AR	SHIM, 6.3mm Thk (Pink),
4	82026247	AR	SHIM, 6.6mm Thk (Light Blue),
4	82026248	AR	SHIM, 6.9mm Thk (Gold),
4	82026249	AR	SHIM, 7.2mm Thk (Lime),
4	82026250	AR	SHIM, 7.5mm Thk (Orange),
4	82026251	AR	SHIM, 7.8mm Thk (Blue/Gray),
5	87310864	4	SCREW, M20 x 1.5 x 93
6	82023393	2	NUT, M20 x 1.5
6	87312644	2	NUT, M20 x 1.5
7	82019765	2	PIN, M20 x 50
8	87301870	2	STUD,
9	82032005	2	PLUG, 50.8 x 25.4
10	5175030	4	PLUG, 19 x 34 x 3
11	10979224	4	BOLT, Hex, M10 x 16, 8.8, Full Thd,
12	82030601	1	SUPPORT, Incl. 13, 14
13	82020394	2	PIN,
14	82020887	1	BUSHING,
15	82034530	1	GUARD,
16	82023235	1	GUARD,
17	82021017	4	SCREW, M20 x 2 x 150
18	82028022	6	WASHER,



PAG. 1

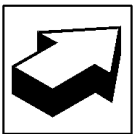
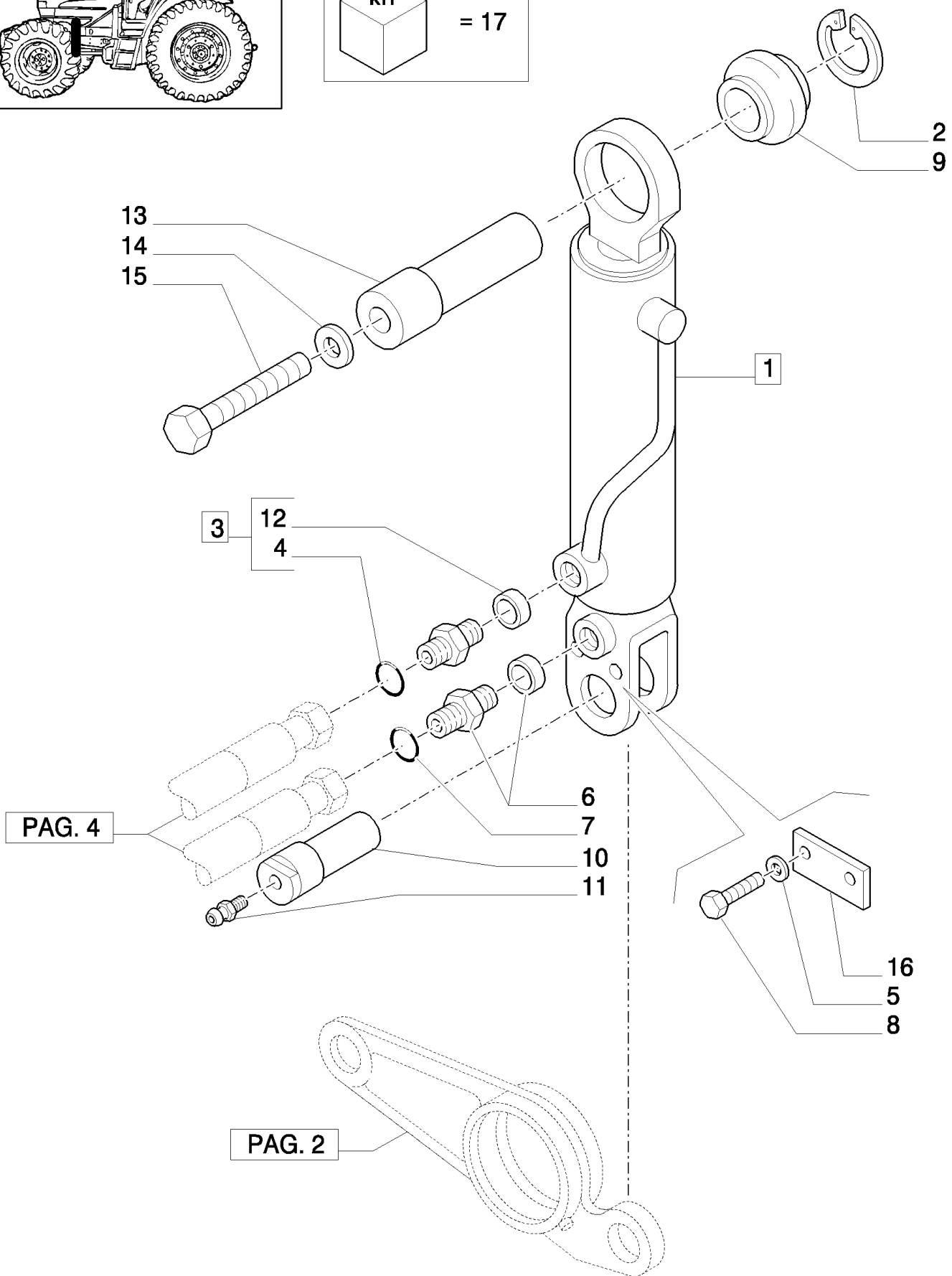
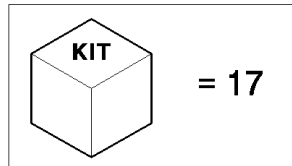
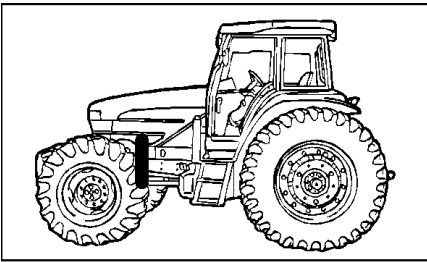
PAG. 3



## MXM155 CASE IH TRACTOR (6/02- )

## 1.21.3(02) (VAR.420) 4WD FRONT AXLE WITH SUSPENSIONS AND TERRALOCK - SEMI POWER SHIFT - ARM AND SHOCK-ABS

сылка	Номер детали	Кол-во	Описание
1	82029904	1	ARM, SUPPORTING, Suspension, Incl. 4, 5, 6, 7, 8
2	11254134	10	BOLT, Hex, M16 x 1.5 x 80, 10.9,
2	15835234	6	SCREW, Hex, M16 x 1.5 x 70, 10.9,
3	5193159	1	PIN,
4	5192794	2	SEAL, 62.5/65 x 80 x 5
5	5191875	1	BALL JOINT,
6	11062476	1	RING, SNAP, M90, Int,
7	5193160	1	O-RING, 80 x 90 x 6
8	13407211	2	NIPPLE, LUBE, M10 x 1,
9	80370012	2	RING, SNAP, D=62
10	14483180	1	O-RING, -369, 70 Duro, 7.976" ID x .210" Thk,
11	82016870	1	BRACKET,
12	43138	2	SCREW, Hex, M10 x 20, 8.8, Full Thd,
13	85700672	2	WASHER, D=10
14	87414	1	NIPPLE, LUBE, 1/4"-28 x .56" lg, Drive,
15	82030090	1	PIN,
16	82029901	1	ROD, Incl. 8, 9, 10, 17, 18, 19, 20
17	82020450	1	BUSHING,
18	14483280	1	O-RING, -370, 70 Duro, 8.224" ID x .210" Thk,
19	13411117	1	VALVE, PRESSURE RELIEF,
20	82016695	2	BEARING,

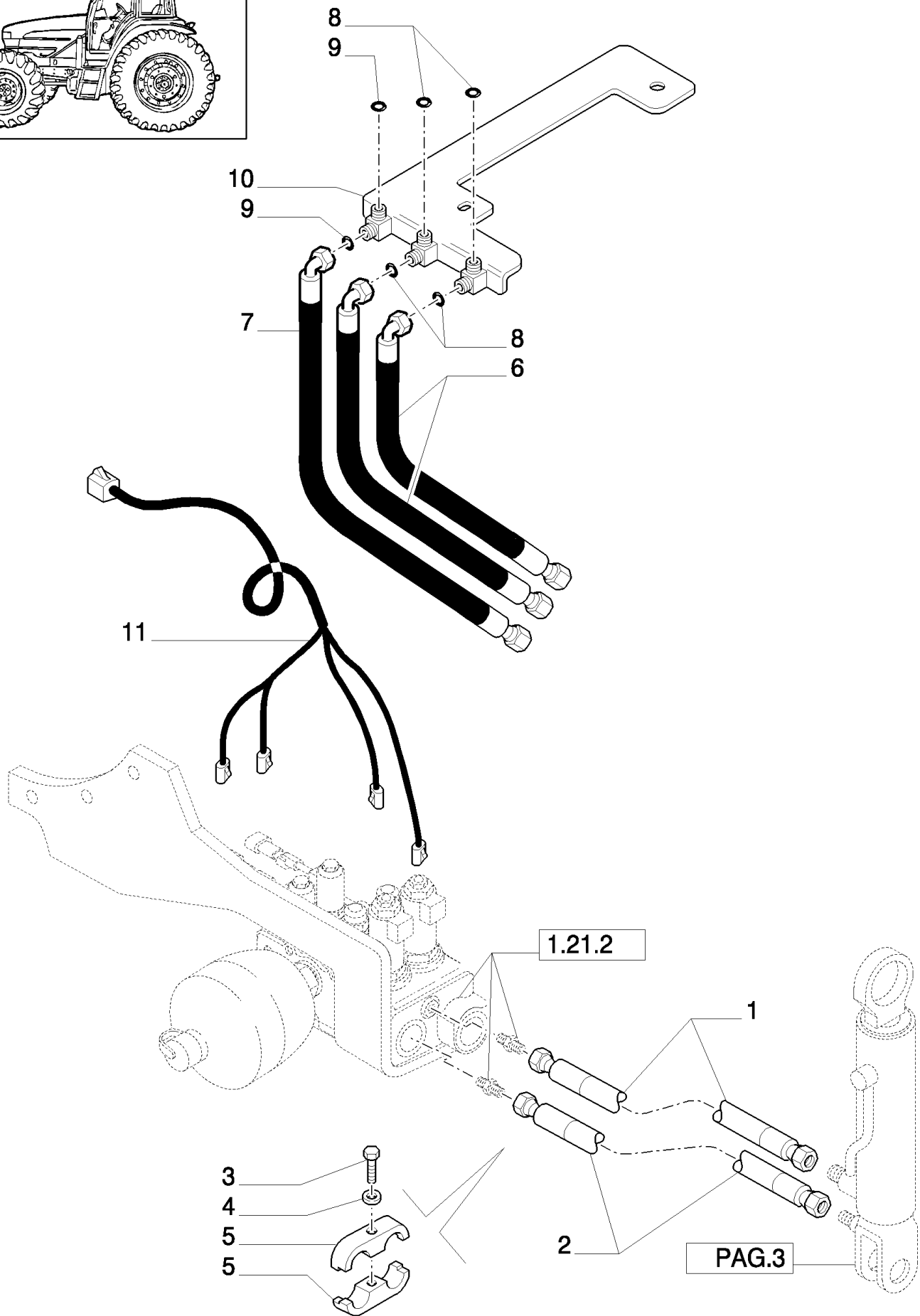
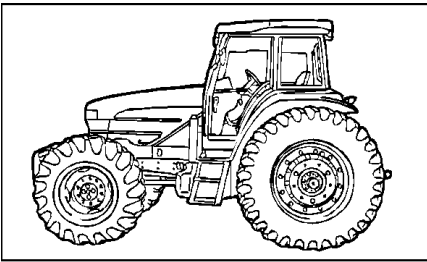


## MXM155 CASE IH TRACTOR (6/02- )

## 1.21.3(03) (VAR.420) 4WD FRONT AXLE WITH SUSPENSIONS AND TERRALOCK - SEMI POWER SHIFT - CYLINDER

сылка	Номер детали	Кол-во	Описание
1	47125430	1	HYDRAULIC CYLINDER, Incl. 2, 3, 4, 5, 6, 7, 8, 9
2	80370012	1	RING, SNAP, D=62
3	82016498	1	CONNECTOR, HYD., 1"-14 UN-2A/M22 x 1.5
4	83901443	1	O-RING, 90 Duro, .625" ID x .070" Thk
5	85700672	2	WASHER,
6	82019639	1	CONNECTOR, HYD., 13/16" 2UN-2A/M27 x 2
7	89991976	1	O-RING, 90 Duro, .750" ID x .070" Thk
8	43138	2	SCREW, Hex, M10 x 20, 8.8, Full Thd,
9	82016695	1	BEARING,
10	82030091	1	PIN,
11	87414	1	NIPPLE, LUBE, 1/4"-28 x .56" lg, Drive,
12	82016732	1	SEAL, 34.2 x 39.7 x 9.5
13	82030656	1	PIN,
14	83931520	1	WASHER, 8.4 x 17
15	83991792	1	BOLT, M8 x 150
16	82016870	1	BRACKET,
17	47123025	1	KIT, SEALS,



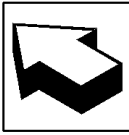
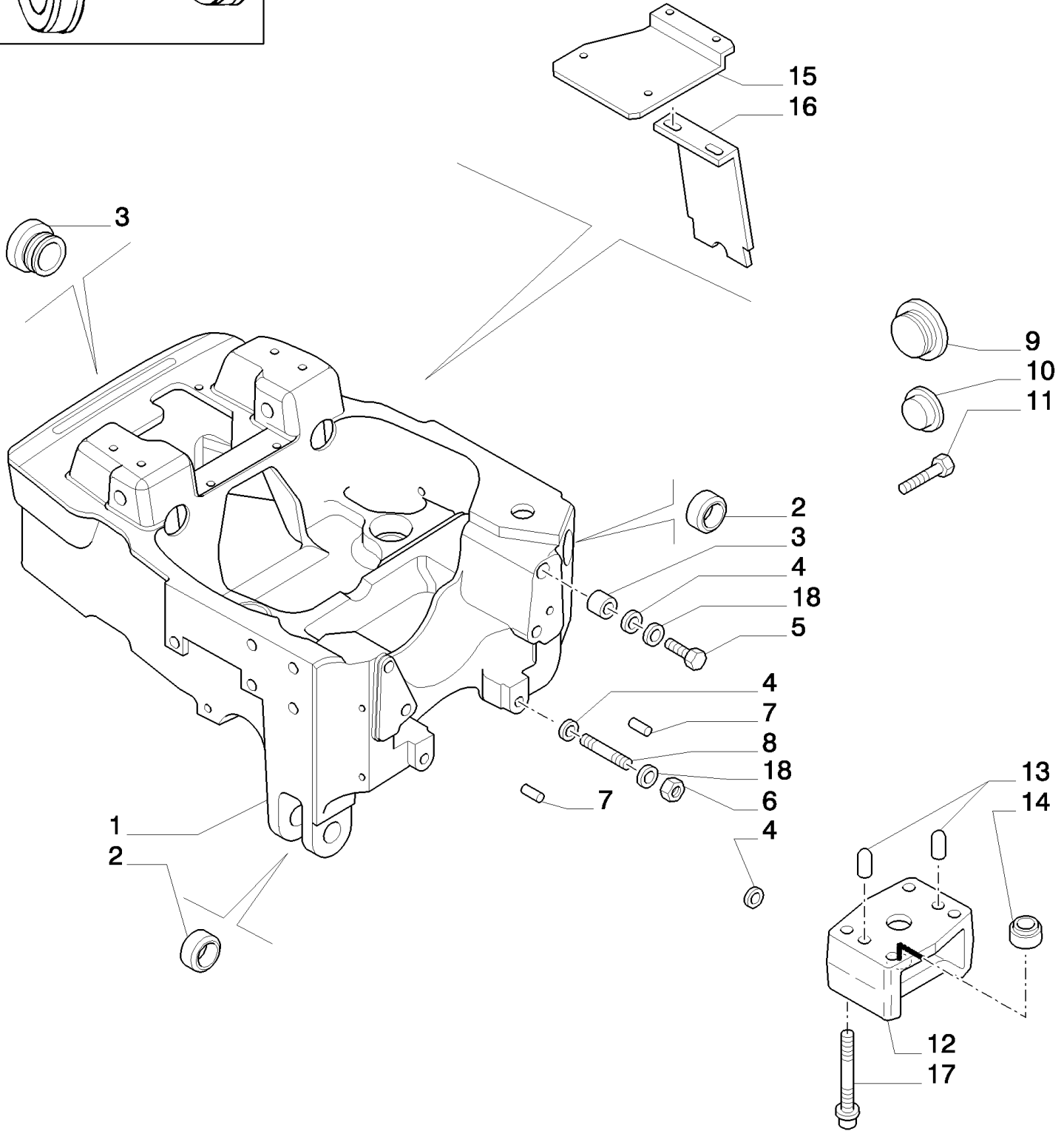
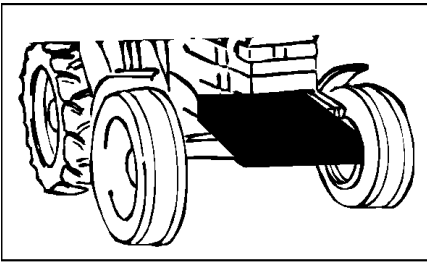


## MXM155 CASE IH TRACTOR (6/02- )

## 1.21.3(04) (VAR.420) 4WD FRONT AXLE WITH SUSPENSIONS AND TERRALOCK - PIPES

сылка	Номер детали	Кол-во	Описание
1	82030129	1	HOSE, FLEXIBLE, Raise, BSN ACM259775
1	87313016	1	HOSE, FLEXIBLE, Raise, ASN ACM259776
2	82030130	1	HOSE, FLEXIBLE, Lower, BSN ACM259775
2	87313019	1	HOSE, FLEXIBLE, Lower, ASN ACM259776
3	11107621	3	BOLT, Hex, M10 x 70, 8.8,
4	14496621	4	WASHER, M10 x 21 x 2,
4	11107721	1	BOLT, Hex, M10 x 75, 8.8,
5	82022172	8	CLAMP,
6	82035337	2	HOSE, FLEXIBLE,
7	82020398	1	HOSE, FLEXIBLE, Front Diff. Lock
8	81844851	4	O-RING, 90 Duro, .375" ID x .070" Thk
9	89992298	2	O-RING, 90 Duro, .489" ID x .070" Thk
10	82026192	1	SUPPORT,
11	82019177	1	HARNESS, WIRE, Front Suspension Jump Lead

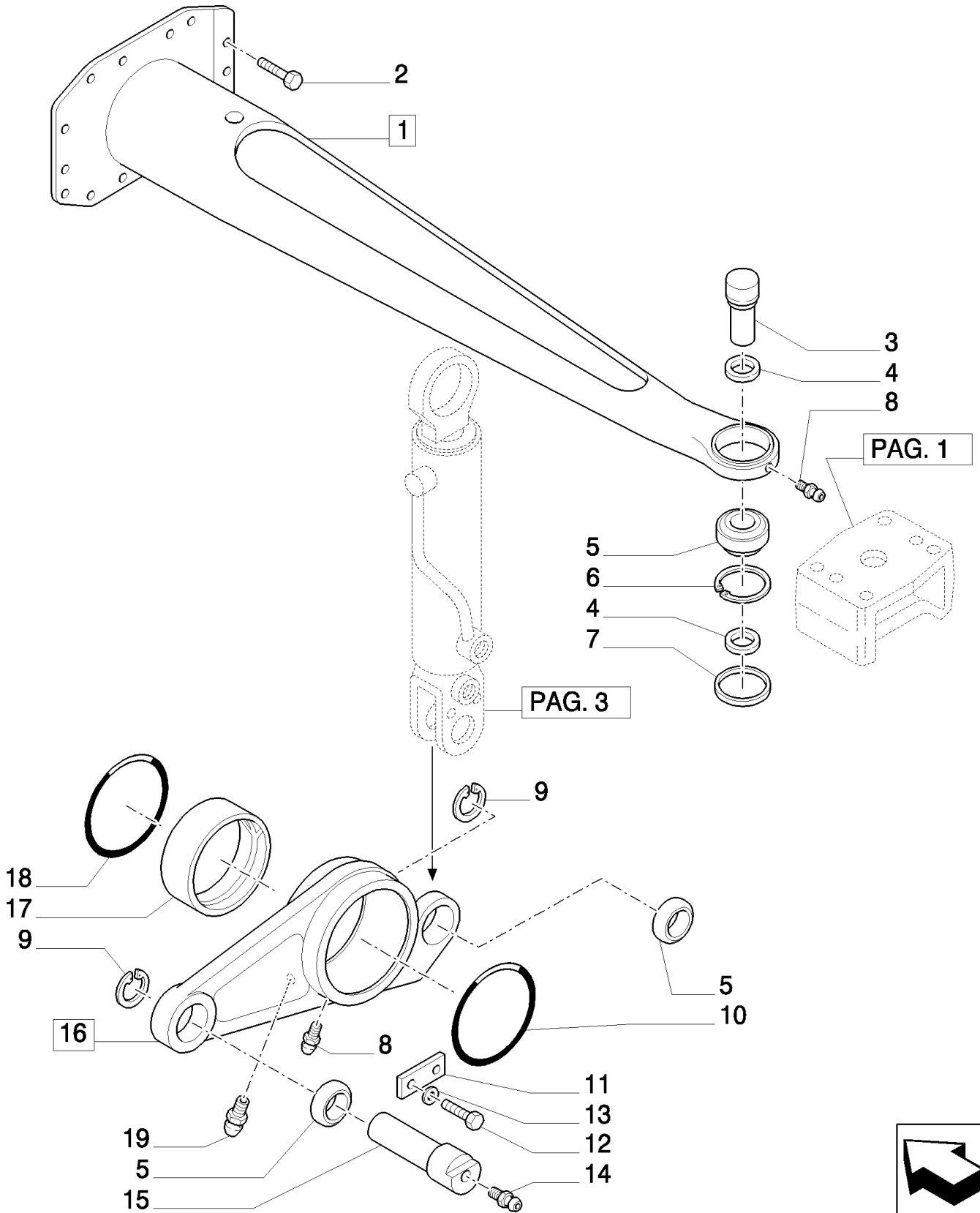
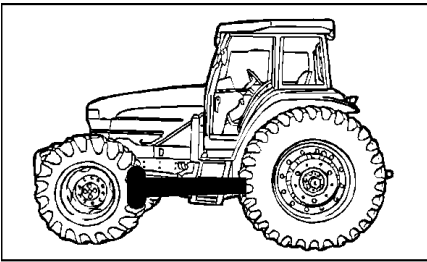
D5145 Serial N°ACM259776



## MXM155 CASE IH TRACTOR (6/02- )

## 1.21.3/01(01) (VAR.452/1) 4WD FRONT AXLE WITH SUSPENSIONS, BRAKE, TERRALOCK - SPS - FRONT AXLE SUPPORT

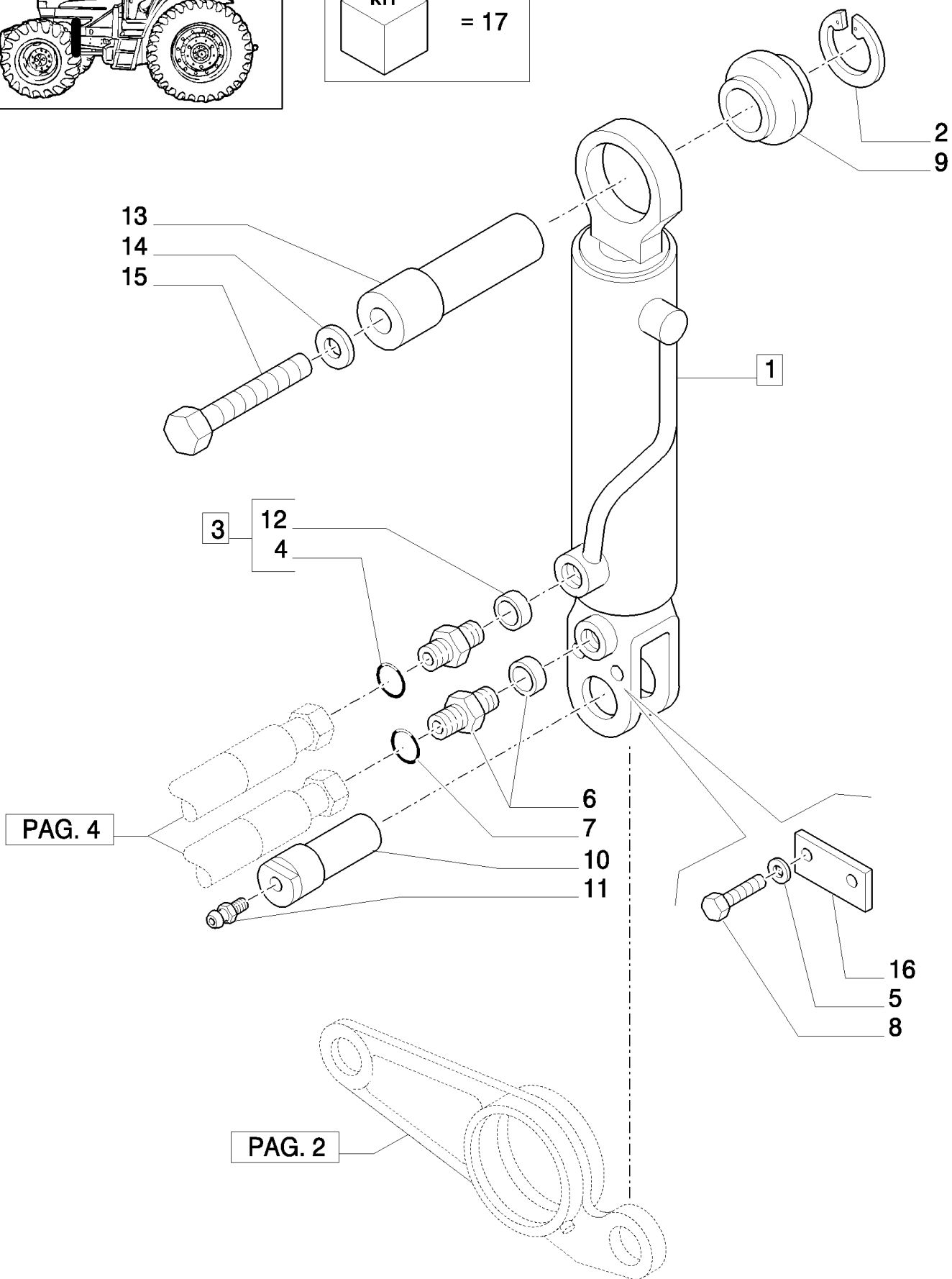
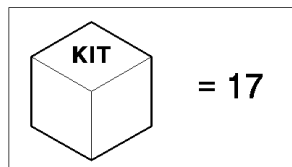
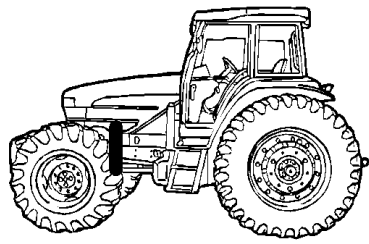
сылка	Номер детали	Кол-во	Описание
1	82031500	1	SUPPORT,
2	82018767	2	WASHER, THRUST, 34 x 44 x 15.5
3	82023395	1	PLUG,
4	82026240	AR	SHIM, 4.5mm Thk (Yellow),
4	82026241	AR	SHIM, 4.8mm Thk (Green),
4	82026242	AR	SHIM, 5.1mm Thk (Red),
4	82026243	AR	SHIM, 5.4mm Thk (Blue),
4	82026244	AR	SHIM, 5.7mm Thk (White),
4	82026245	AR	SHIM, 6.0mm Thk (Black),
4	82026246	AR	SHIM, 6.3mm Thk (Pink),
4	82026247	AR	SHIM, 6.6mm Thk (Light Blue),
4	82026248	AR	SHIM, 6.9mm Thk (Gold),
4	82026249	AR	SHIM, 7.2mm Thk (Lime),
4	82026250	AR	SHIM, 7.5mm Thk (Orange),
4	82026251	AR	SHIM, 7.8mm Thk (Blue/Gray),
5	87310864	4	SCREW, M20 x 1.5 x 93
6	87312644	2	NUT, M20 x 1.5
6	82023393	2	NUT, M20 x 1.5
7	82019765	2	PIN, M20 x 50
8	87301870	2	STUD,
9	82032005	2	PLUG, 50.8 x 25.4
10	5175030	4	PLUG, 19 x 34 x 3
11	10979224	4	BOLT, Hex, M10 x 16, 8.8, Full Thd,
12	82030600	1	BRACKET,
13	82020394	2	PIN,
14	82020887	1	BUSHING,
15	82034530	1	GUARD,
16	82023235	1	GUARD,
17	82021017	4	SCREW, M20 x 2 x 150
18	82028022	6	WASHER,



## MXM155 CASE IH TRACTOR (6/02-)

## 1.21.3/01(02) (VAR.452/1) 4WD FRONT AXLE WITH SUSPENSIONS, BRAKE, TERRALOCK, SPS - ARM AND SUSPENSIONS

сылка	Номер детали	Кол-во	Описание
1	82029904	1	ARM, SUPPORTING, Suspension, Incl. 4, 5, 6, 7, 8
2	11254134	10	BOLT, Hex, M16 x 1.5 x 80, 10.9,
2	15835234	6	SCREW, Hex, M16 x 1.5 x 70, 10.9,
3	5193159	1	PIN,
4	5192794	2	SEAL, 62.5/65 x 80 x 5
5	5191875	3	BALL JOINT,
6	11062476	1	RING, SNAP, M90, Int,
7	5193160	1	O-RING, 80 x 90 x 6
8	13407211	2	NIPPLE, LUBE, M10 x 1,
9	80370012	2	RING, SNAP, D=62
10	14483180	1	O-RING, -369, 70 Duro, 7.976" ID x .210" Thk,
11	82016870	1	BRACKET,
12	43138	2	SCREW, Hex, M10 x 20, 8.8, Full Thd,
13	85700672	2	WASHER, D=10
14	87414	1	NIPPLE, LUBE, 1/4"-28 x .56" lg, Drive,
15	82030090	1	PIN,
16	82029901	1	ROD, Incl. 5, 8, 9, 10, 17, 18, 19
17	82020450	1	BUSHING,
18	14483280	1	O-RING, -370, 70 Duro, 8.224" ID x .210" Thk,
19	13411117	1	VALVE, PRESSURE RELIEF,

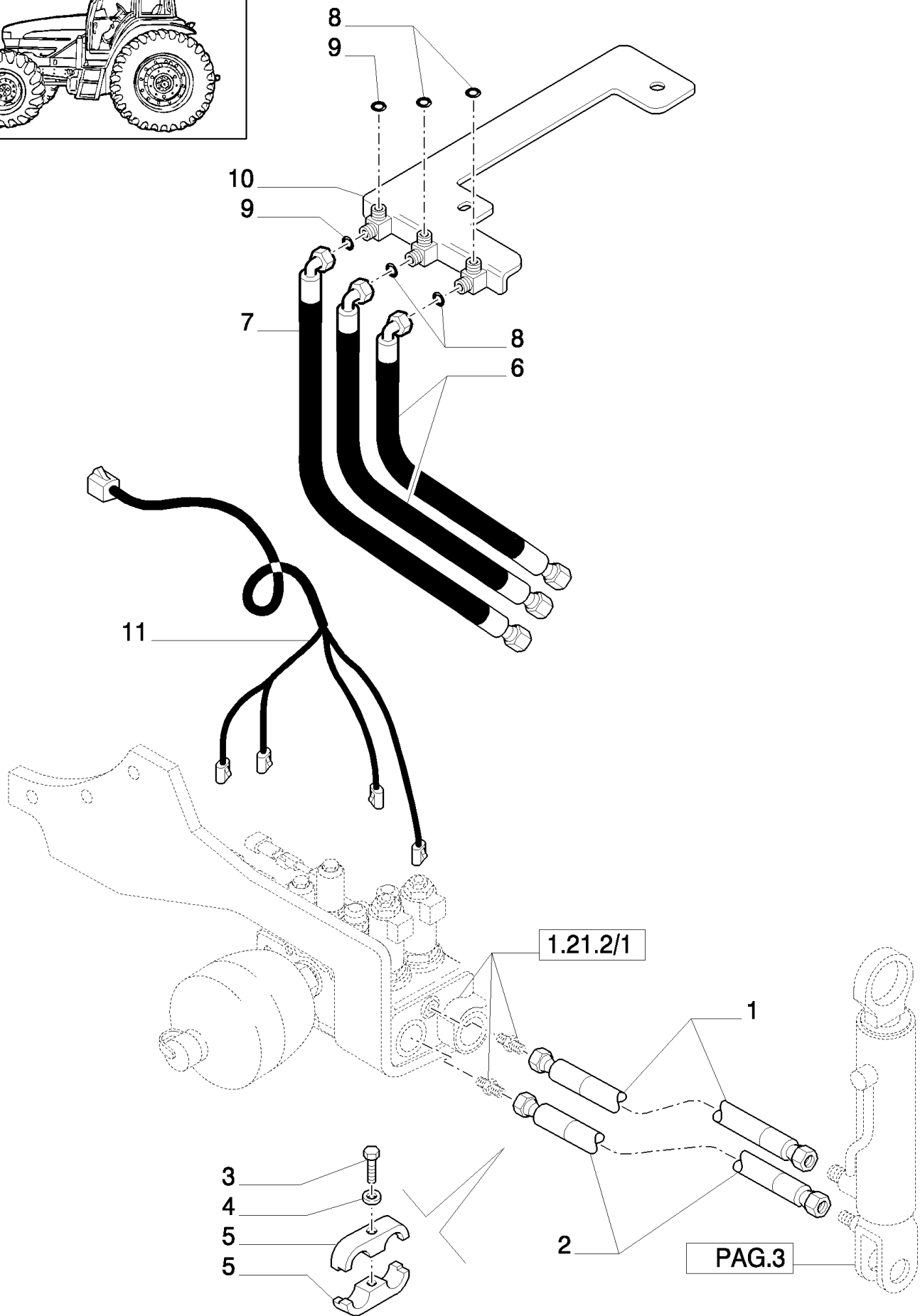
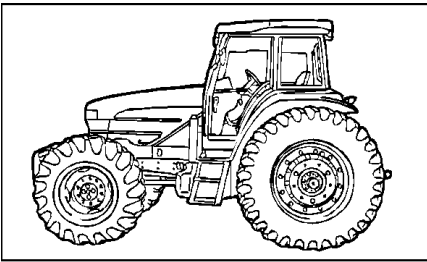


## MXM155 CASE IH TRACTOR (6/02- )

## 1.21.3/01(03) (VAR.452/1) 4WD FRONT AXLE WITH SUSPENSIONS, BRAKE, TERRALOCK, SPS - CYLINDER

сылка	Номер детали	Кол-во	Описание
1	47125430	1	HYDRAULIC CYLINDER, Incl. Ref. 2, 3, 4, 5, 6, 7, 8, 9
2	80370012	1	RING, SNAP, D=62
3	82016498	1	CONNECTOR, HYD., 1"-14 UN-2A/M22 x 1.5
4	83901443	1	O-RING, 90 Duro, .625" ID x .070" Thk
5	85700672	2	WASHER,
6	82019639	1	CONNECTOR, HYD., 13/16 2UN-2A/M27 x 2
7	89991976	1	O-RING, 90 Duro, .750" ID x .070" Thk
8	43138	2	SCREW, Hex, M10 x 20, 8.8, Full Thd,
9	82016695	1	BEARING,
10	82030091	1	PIN,
11	87414	1	NIPPLE, LUBE, 1/4"-28 x .56" lg, Drive,
12	82016732	1	SEAL, 34.2 x 39.7 x 9.5
13	82030656	1	PIN, Cap, HH, CL 8.8, M10 x 1.5 x 20
14	83931520	1	WASHER, 8.4 x 17
15	83991792	1	BOLT, M8 x 150
16	82016870	1	BRACKET,
17	47123025	1	KIT, SEALS,



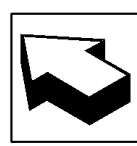
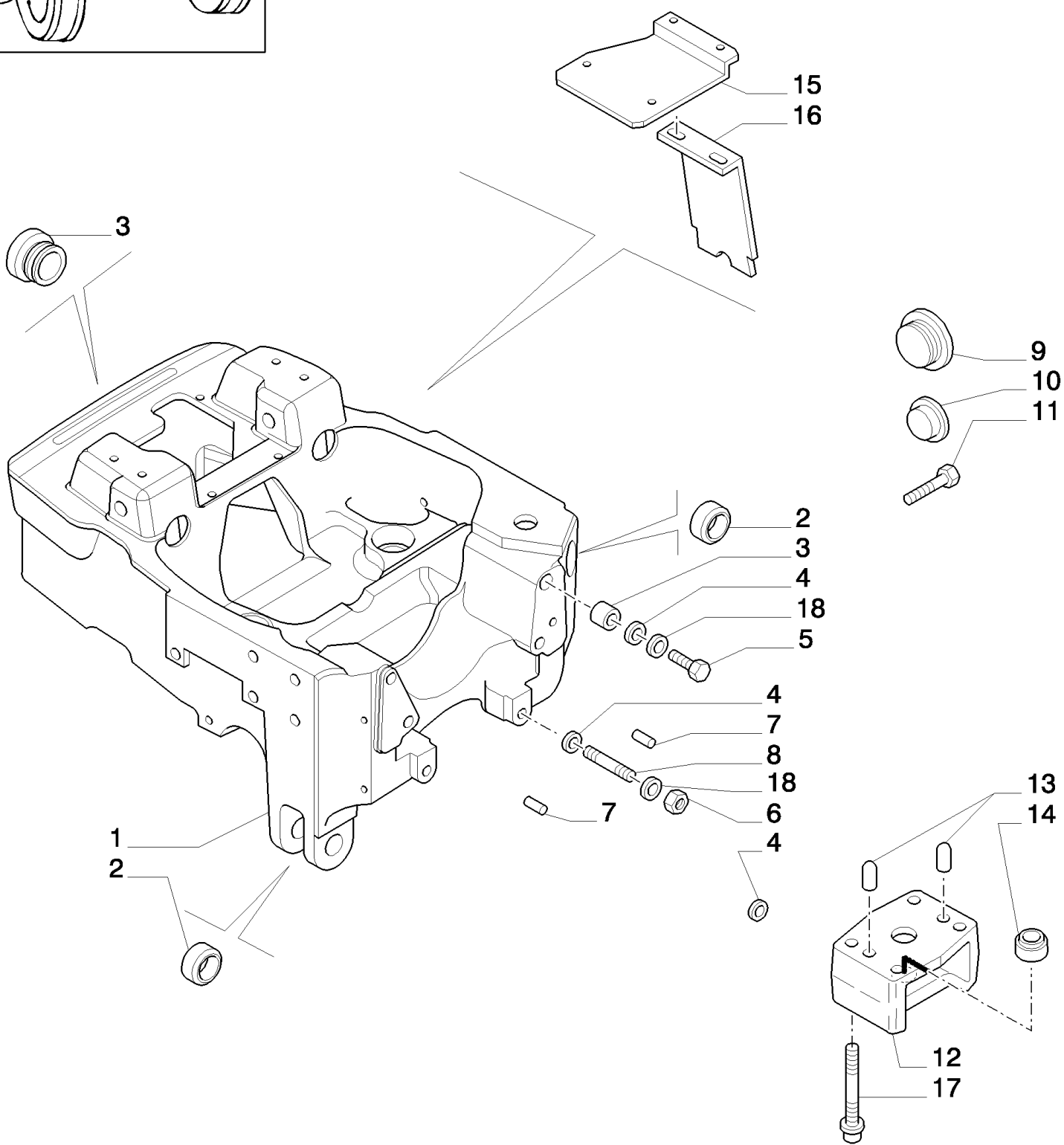
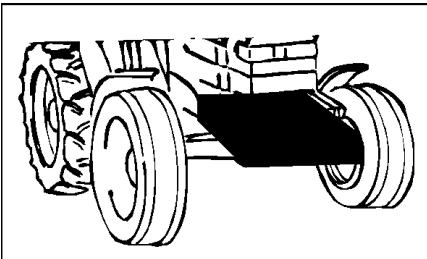


## MXM155 CASE IH TRACTOR (6/02- )

1.21.3/01(04) (VAR.452/1) 4WD FRONT AXLE WITH SUSPENSIONS, BRAKE, TERRALOCK, SPS - PIPES

сылка	Номер детали	Кол-во	Описание
1	82030129	1	HOSE, FLEXIBLE, , BSN ACM259775
1	87313016	1	HOSE, FLEXIBLE, Raise, ASN ACM259776
2	82030130	1	HOSE, FLEXIBLE, , BSN ACM259775
2	87313019	1	HOSE, FLEXIBLE, Lower, ASN ACM259776
3	11107621	3	BOLT, Hex, M10 x 70, 8.8,
3	14496621	1	WASHER, M10 x 21 x 2,
4	14496621	4	WASHER, M10 x 21 x 2,
5	82022172	8	CLAMP,
6	82035337	2	HOSE, FLEXIBLE,
7	82020398	1	HOSE, FLEXIBLE, Front Diff. Lock
8	81844851	4	O-RING, 90 Duro, .375" ID x .070" Thk
9	89992298	2	O-RING, 90 Duro, .489" ID x .070" Thk
10	82026192	1	SUPPORT,
11	82019177	1	HARNESS, WIRE, Front Suspension Jump Lead

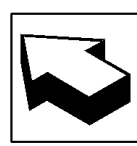
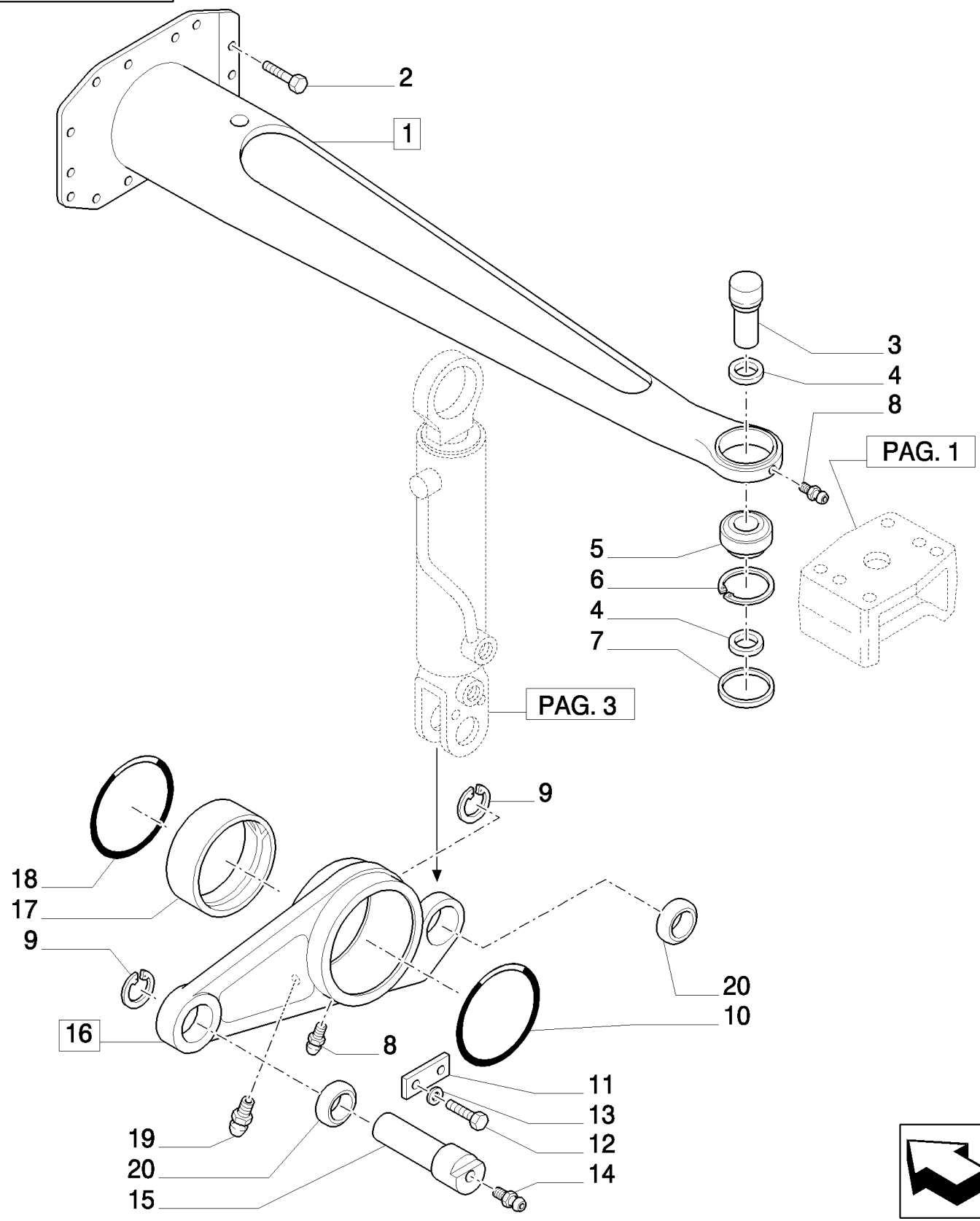
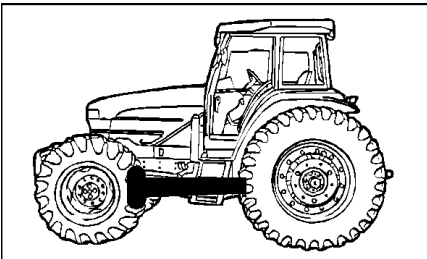
D5145 Serial N°ACM259776



## MXM155 CASE IH TRACTOR (6/02- )

## 1.21.3/02(01) (VAR.463) 4WD FRONT AXLE WITH SUSPENSIONS, FULL POWER SHIFT - FRONT AXLE SUPPORT

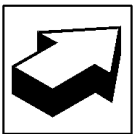
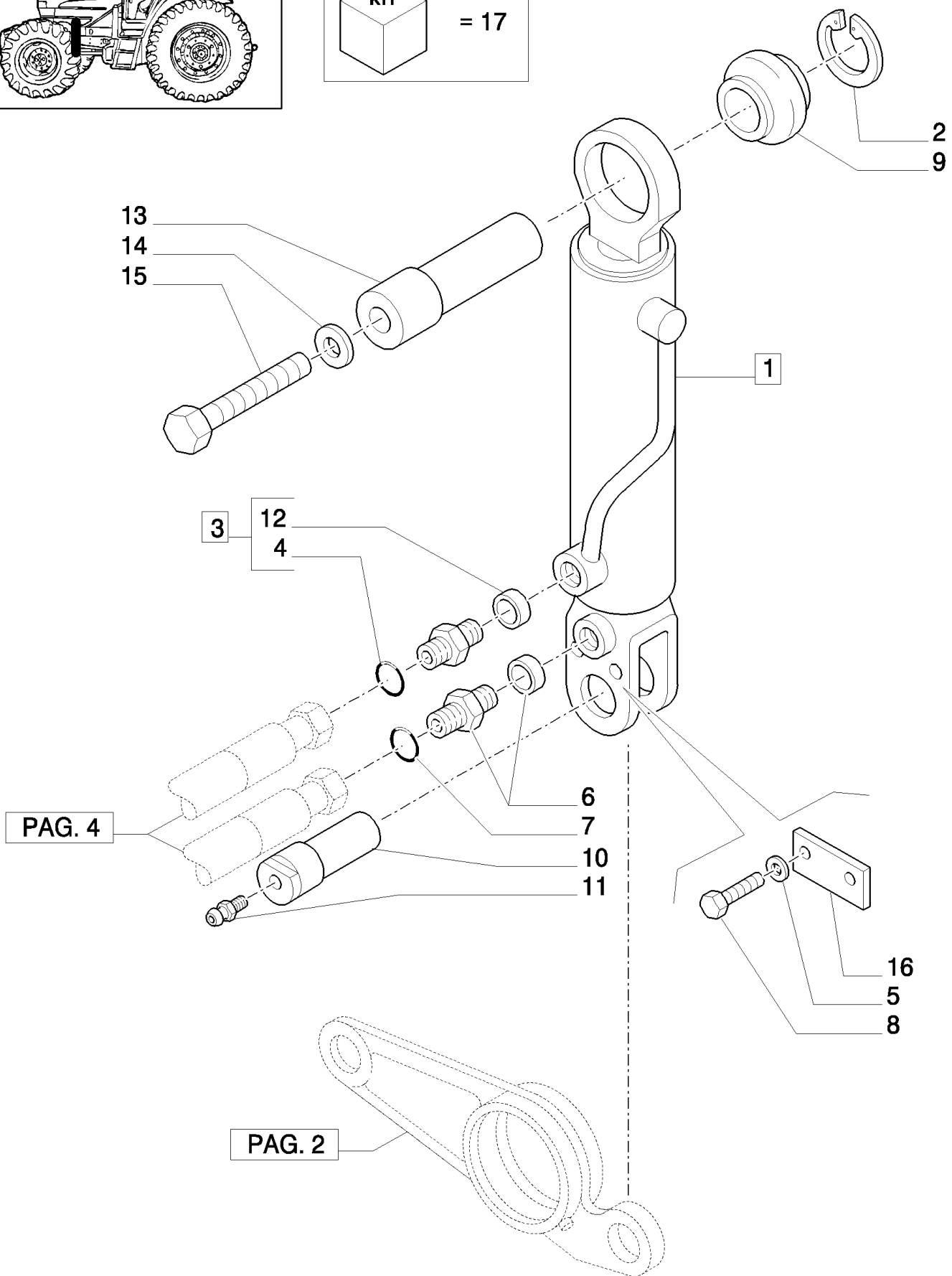
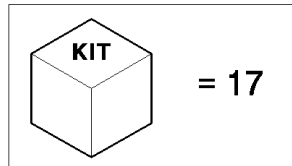
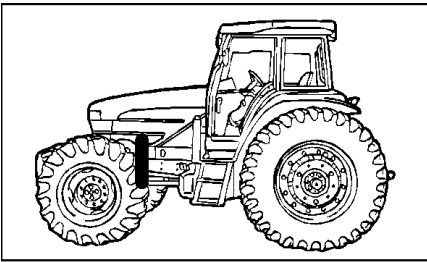
сылка	Номер детали	Кол-во	Описание
1	82031500	1	SUPPORT,
2	82018767	2	WASHER, THRUST, 34 x 44 x 15.5
3	82023395	1	PLUG,
4	82026240	AR	SHIM, 4.5mm Thk (Yellow),
4	82026241	AR	SHIM, 4.8mm Thk (Green),
4	82026242	AR	SHIM, 5.1mm Thk (Red),
4	82026243	AR	SHIM, 5.4mm Thk (Blue),
4	82026244	AR	SHIM, 5.7mm Thk (White),
4	82026245	AR	SHIM, 6.0mm Thk (Black),
4	82026246	AR	SHIM, 6.3mm Thk (Pink),
4	82026247	AR	SHIM, 6.6mm Thk (Light Blue),
4	82026248	AR	SHIM, 6.9mm Thk (Gold),
4	82026249	AR	SHIM, 7.2mm Thk (Lime),
4	82026250	AR	SHIM, 7.5mm Thk (Orange),
4	82026251	AR	SHIM, 7.8mm Thk (Blue/Gray),
5	87310864	4	SCREW, M20 x 1.5 x 93
6	82023393	2	NUT, M20 x 1.5
6	87312644	2	NUT, M20 x 1.5
7	82019765	2	PIN, M20 x 50
8	87301870	2	STUD,
9	82032005	2	PLUG, 50.8 x 25.4
10	5175030	4	PLUG, 19 x 34 x 3
11	10979224	4	BOLT, Hex, M10 x 16, 8.8, Full Thd,
12	82030600	1	BRACKET,
13	82020394	2	PIN,
14	82020887	1	BUSHING,
15	82034530	1	GUARD,
16	82023235	1	GUARD,
17	82021017	4	SCREW, M20 x 2 x 150
18	82028022	6	WASHER,



## MXM155 CASE IH TRACTOR (6/02-)

## 1.21.3/02(02) (VAR.463) 4WD FRONT AXLE WITH SUSPENSIONS, FULL POWER SHIFT - ARM AND SUSPENSIONS

сылка	Номер детали	Кол-во	Описание
1	82029904	1	ARM, SUPPORTING, Suspension, Incl. 4, 5, 6, 7, 8
2	11254134	10	BOLT, Hex, M16 x 1.5 x 80, 10.9,
2	15835234	6	SCREW, Hex, M16 x 1.5 x 70, 10.9,
3	5193159	1	PIN,
4	5192794	2	SEAL, 62.5/65 x 80 x 5
5	5191875	1	BALL JOINT,
6	11062476	1	RING, SNAP, M90, Int,
7	5193160	1	O-RING, 80 x 90 x 6
8	13407211	2	NIPPLE, LUBE, M10 x 1,
9	80370012	2	RING, SNAP, D=62
10	14483180	1	O-RING, -369, 70 Duro, 7.976" ID x .210" Thk,
11	82016870	1	BRACKET,
12	43138	2	SCREW, Hex, M10 x 20, 8.8, Full Thd,
13	85700672	2	WASHER, D=10
14	87414	1	NIPPLE, LUBE, 1/4"-28 x .56" lg, Drive,
15	82030090	1	PIN,
16	82029901	1	ROD, Panhard, Incl. 8, 9, 10, 17, 18, 19, 20
17	82020450	1	BUSHING,
18	14483280	1	O-RING, -370, 70 Duro, 8.224" ID x .210" Thk,
19	13411117	1	VALVE, PRESSURE RELIEF,
20	82016695	2	BEARING,

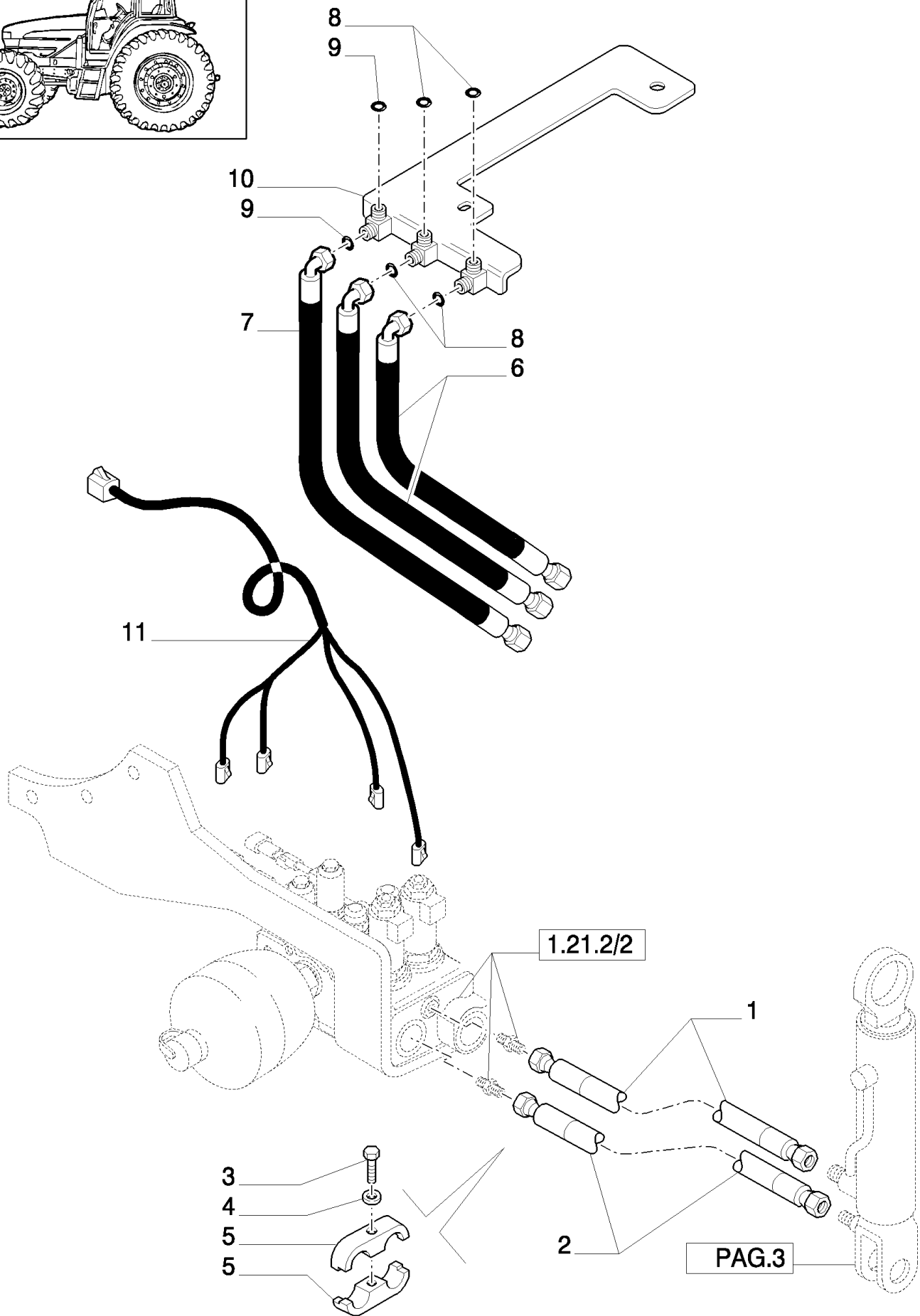
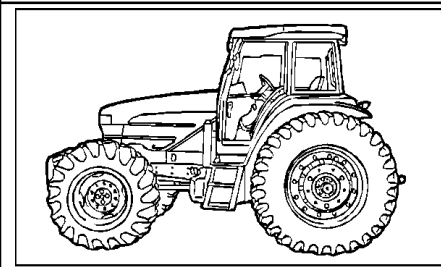


## MXM155 CASE IH TRACTOR (6/02- )

## 1.21.3/02(03) (VAR.463) 4WD FRONT AXLE WITH SUSPENSIONS, FULL POWER SHIFT - CYLINDER

сылка	Номер детали	Кол-во	Описание
1	47125430	1	HYDRAULIC CYLINDER, Incl. Ref. 2, 3, 4, 5, 6, 7, 8, 9
2	80370012	1	RING, SNAP, D=62
3	82016498	1	CONNECTOR, HYD., 1"-14 UN-2A/M22 x 1.5
4	83901443	1	O-RING, 90 Duro, .625" ID x .070" Thk
5	85700672	2	WASHER,
6	82019639	1	CONNECTOR, HYD., 13/16 2UN-2A/M27 x 2
7	89991976	1	O-RING, 90 Duro, .750" ID x .070" Thk
8	43138	2	SCREW, Hex, M10 x 20, 8.8, Full Thd,
9	82016695	1	BEARING,
10	82030091	1	PIN,
11	87414	1	NIPPLE, LUBE, 1/4"-28 x .56" lg, Drive,
12	82016732	1	SEAL, 34.2 x 39.7 x 9.5
13	82030656	1	PIN,
14	83931520	1	WASHER, M8
15	83991792	1	BOLT, M8 x 150
16	82016870	1	BRACKET,
17	47123025	1	KIT, SEALS,



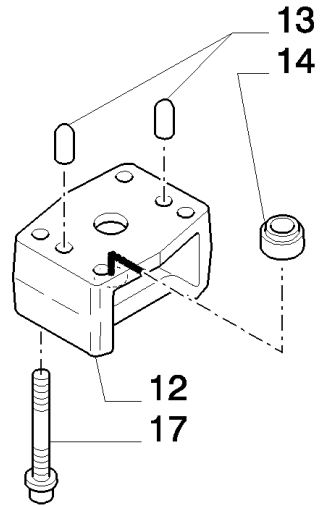
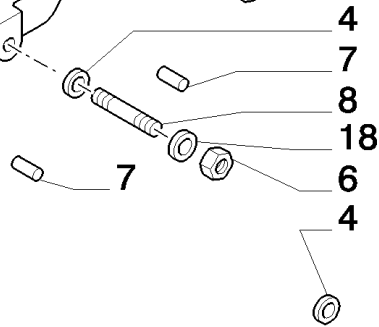
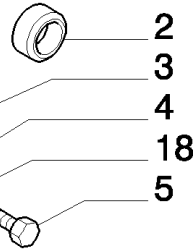
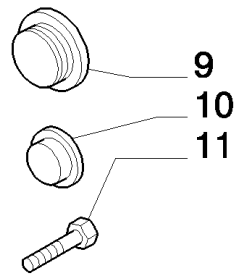
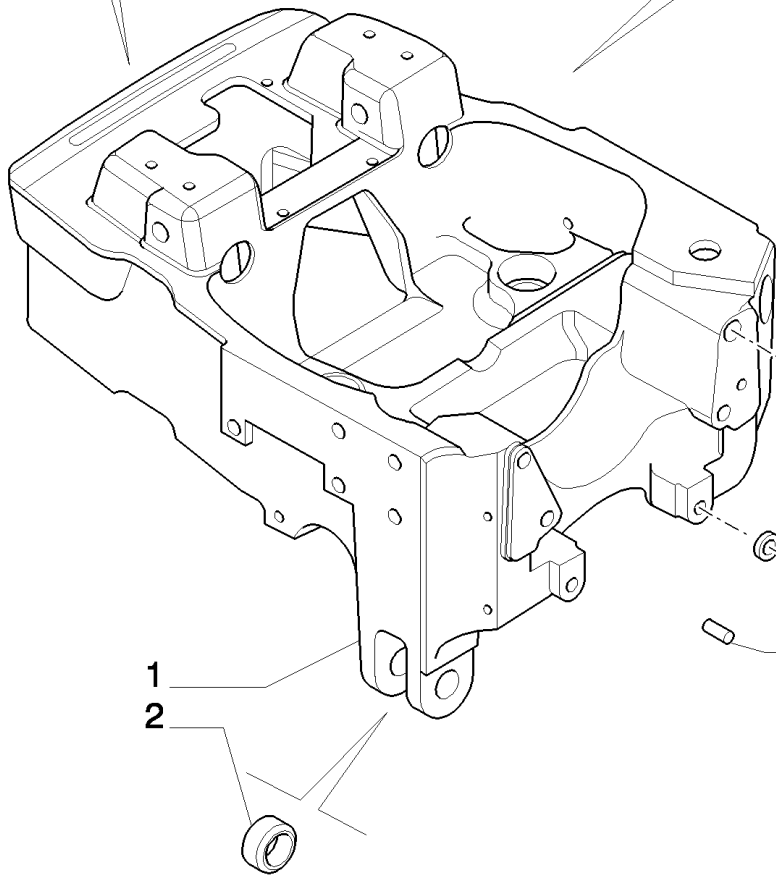
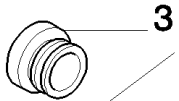
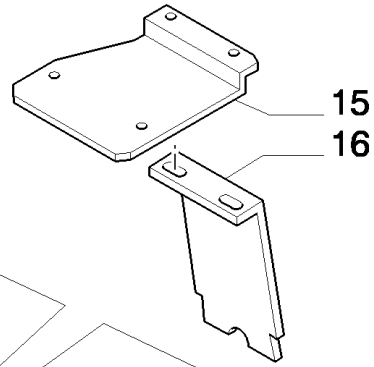
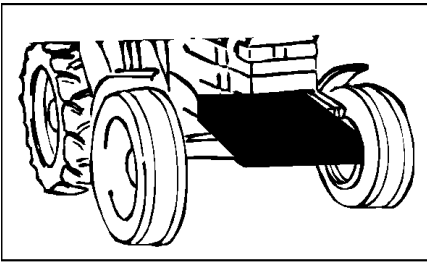


## MXM155 CASE IH TRACTOR (6/02- )

1.21.3/02(04) (VAR.463) 4WD FRONT AXLE WITH SUSPENSIONS, FULL POWER SHIFT - PIPES

сылка	Номер детали	Кол-во	Описание
1	82030129	1	HOSE, FLEXIBLE, MXM120, MXM130, MXM140, MXM155, BSN ACM259775
1	82030402	1	HOSE, FLEXIBLE, MXM175, MXM190, BSN ACM259775
1	87313016	1	HOSE, FLEXIBLE, MXM120, MXM130, MXM140, MXM155, Raise, ASN ACM259776
1	87312948	1	HOSE, FLEXIBLE, MXM175, MXM190, Raise, ASN ACM259776
2	82030130	1	HOSE, FLEXIBLE, MXM120, MXM130, MXM140, MXM155, BSN ACM259775
2	82030403	1	HOSE, FLEXIBLE, MXM175, MXM190, BSN ACM259775
2	87313019	1	HOSE, FLEXIBLE, MXM120, MXM130, MXM140, MXM155, Lower, ASN ACM259776
2	87312949	1	HOSE, FLEXIBLE, MXM175, MXM190, Lower, ASN ACM259776
3	11107621	3	BOLT, Hex, M10 x 70, 8.8,
3	11107721	1	BOLT, Hex, M10 x 75, 8.8,
4	14496621	4	WASHER, M10 x 21 x 2,
5	82022172	8	CLAMP,
6	82035337	2	HOSE, FLEXIBLE,
7	82020398	1	HOSE, FLEXIBLE, Front Diff. Lock
8	81844851	4	O-RING, 90 Duro, .375" ID x .070" Thk
9	89992298	2	O-RING, 90 Duro, .489" ID x .070" Thk
10	82026192	1	SUPPORT,
11	82019177	1	HARNESS, WIRE, Front Suspension Jump Lead

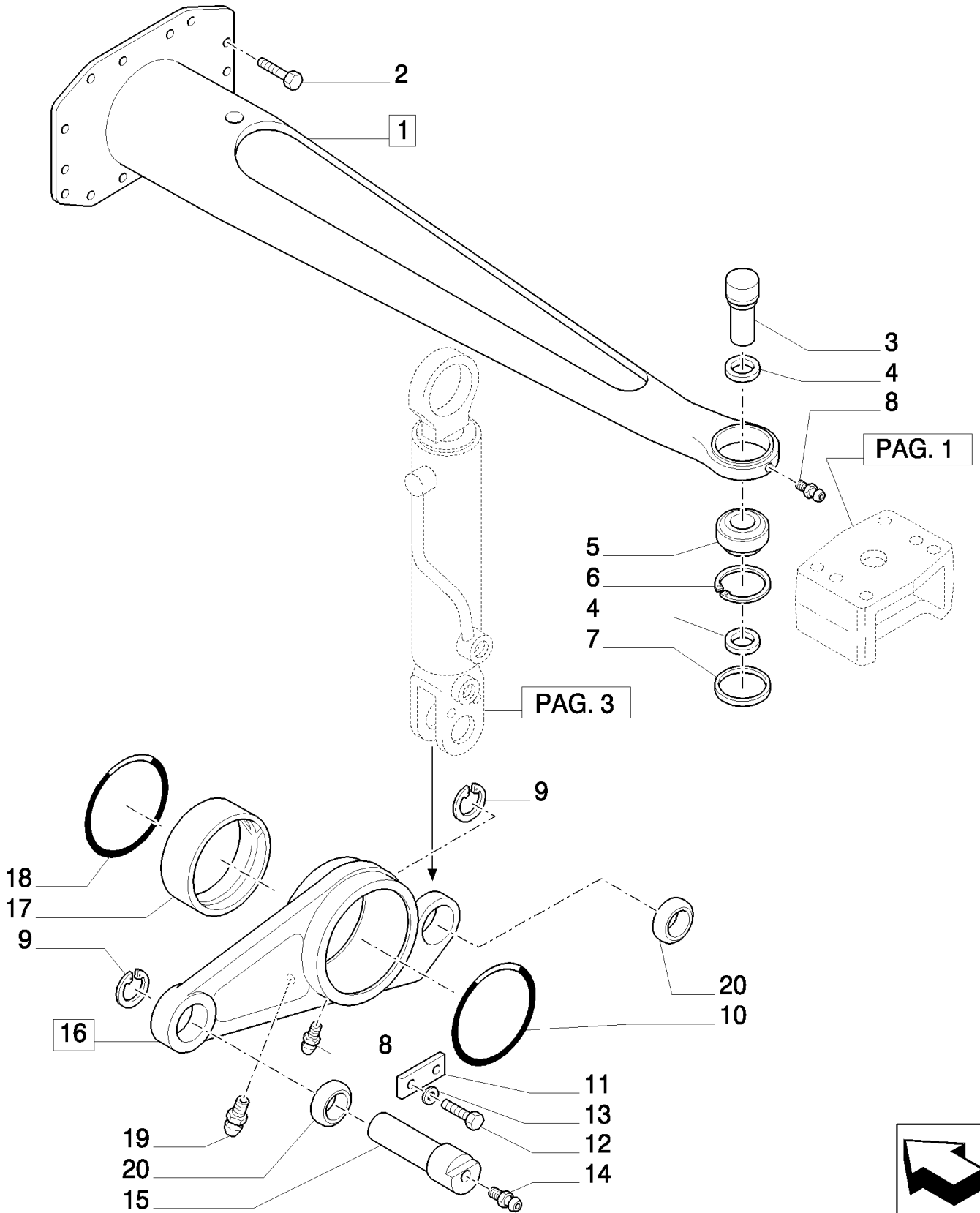
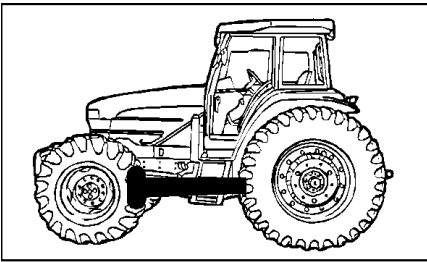
D5145 Serial N°ACM259776



## MXM155 CASE IH TRACTOR (6/02- )

## 1.21.3/03(01) (VAR.463/1) 4WD FRONT AXLE WITH SUSPENSIONS, BRAKE, TERRALOCK, FPS - FRONT AXLE SUPPORT

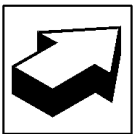
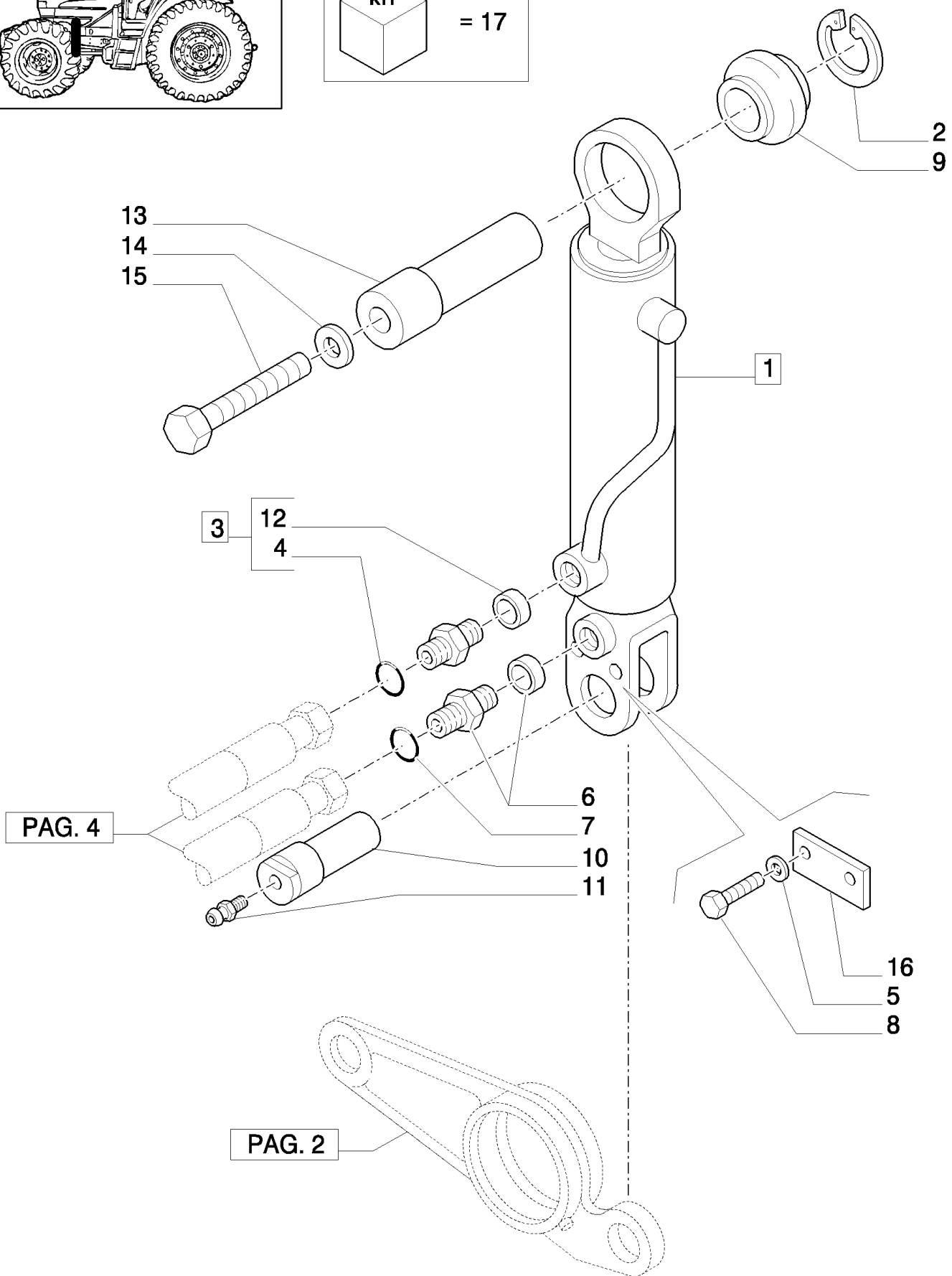
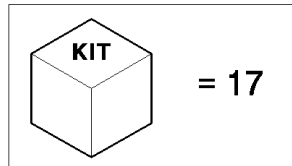
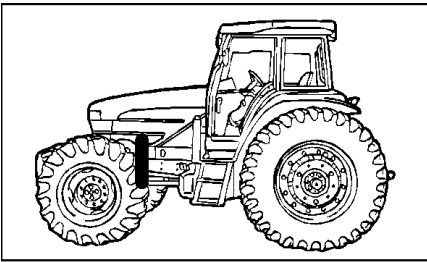
сылка	Номер детали	Кол-во	Описание
1	82031500	1	SUPPORT,
2	82018767	2	WASHER, THRUST, 34 x 44 x 15.5
3	82023395	1	PLUG,
4	82026240	AR	SHIM, 4.5mm Thk (Yellow),
4	82026241	AR	SHIM, 4.8mm Thk (Green),
4	82026242	AR	SHIM, 5.1mm Thk (Red),
4	82026243	AR	SHIM, 5.4mm Thk (Blue),
4	82026244	AR	SHIM, 5.7mm Thk (White),
4	82026245	AR	SHIM, 6.0mm Thk (Black),
4	82026246	AR	SHIM, 6.3mm Thk (Pink),
4	82026247	AR	SHIM, 6.6mm Thk (Light Blue),
4	82026248	AR	SHIM, 6.9mm Thk (Gold),
4	82026249	AR	SHIM, 7.2mm Thk (Lime),
4	82026250	AR	SHIM, 7.5mm Thk (Orange),
4	82026251	AR	SHIM, 7.8mm Thk (Blue/Gray),
5	87310864	4	SCREW, M20 x 1.5 x 93
6	87312644	2	NUT, M20 x 1.5
6	82023393	2	NUT, M20 x 1.5
7	82019765	2	PIN, M20 x 50
8	87301870	2	STUD,
9	82032005	2	PLUG, 50.8 x 25.4
10	5175030	4	PLUG, 19 x 34 x 3
11	10979224	4	BOLT, Hex, M10 x 16, 8.8, Full Thd,
12	82030600	1	BRACKET,
13	82020394	2	PIN,
14	82020887	1	BUSHING,
15	82034530	1	GUARD,
16	82023235	1	GUARD,
17	82021017	4	SCREW, M20 x 2 x 150
18	82028022	6	WASHER,



## MXM155 CASE IH TRACTOR (6/02-)

## 1.21.3/03(02) (VAR.463/1) 4WD FRONT AXLE WITH SUSPENSIONS, BRAKE, TERRALOCK, FPS - ARM AND SUSPENSIONS

сылка	Номер детали	Кол-во	Описание
1	82029904	1	ARM, SUPPORTING, Suspension, Incl. 4, 5, 6, 7, 8
2	11254134	10	BOLT, Hex, M16 x 1.5 x 80, 10.9,
2	15835234	6	SCREW, Hex, M16 x 1.5 x 70, 10.9,
3	5193159	1	PIN,
4	5192794	2	SEAL, 62.5/65 x 80 x 5
5	5191875	1	BALL JOINT,
6	11062476	1	RING, SNAP, M90, Int,
7	5193160	1	O-RING, 80 x 90 x 6
8	13407211	2	NIPPLE, LUBE, M10 x 1,
9	80370012	2	RING, SNAP, D=62
10	14483180	1	O-RING, -369, 70 Duro, 7.976" ID x .210" Thk,
11	82016870	1	BRACKET,
12	43138	2	SCREW, Hex, M10 x 20, 8.8, Full Thd,
13	85700672	2	WASHER, D=10
14	87414	1	NIPPLE, LUBE, 1/4"-28 x .56" lg, Drive,
15	82030090	1	PIN,
16	82029901	1	ROD, Panhard, Incl. 5, 8, 9, 10, 17, 18, 19
17	82020450	1	BUSHING,
18	14483280	1	O-RING, -370, 70 Duro, 8.224" ID x .210" Thk,
19	13411117	1	VALVE, PRESSURE RELIEF,
20	82016695	2	BEARING,

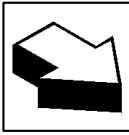
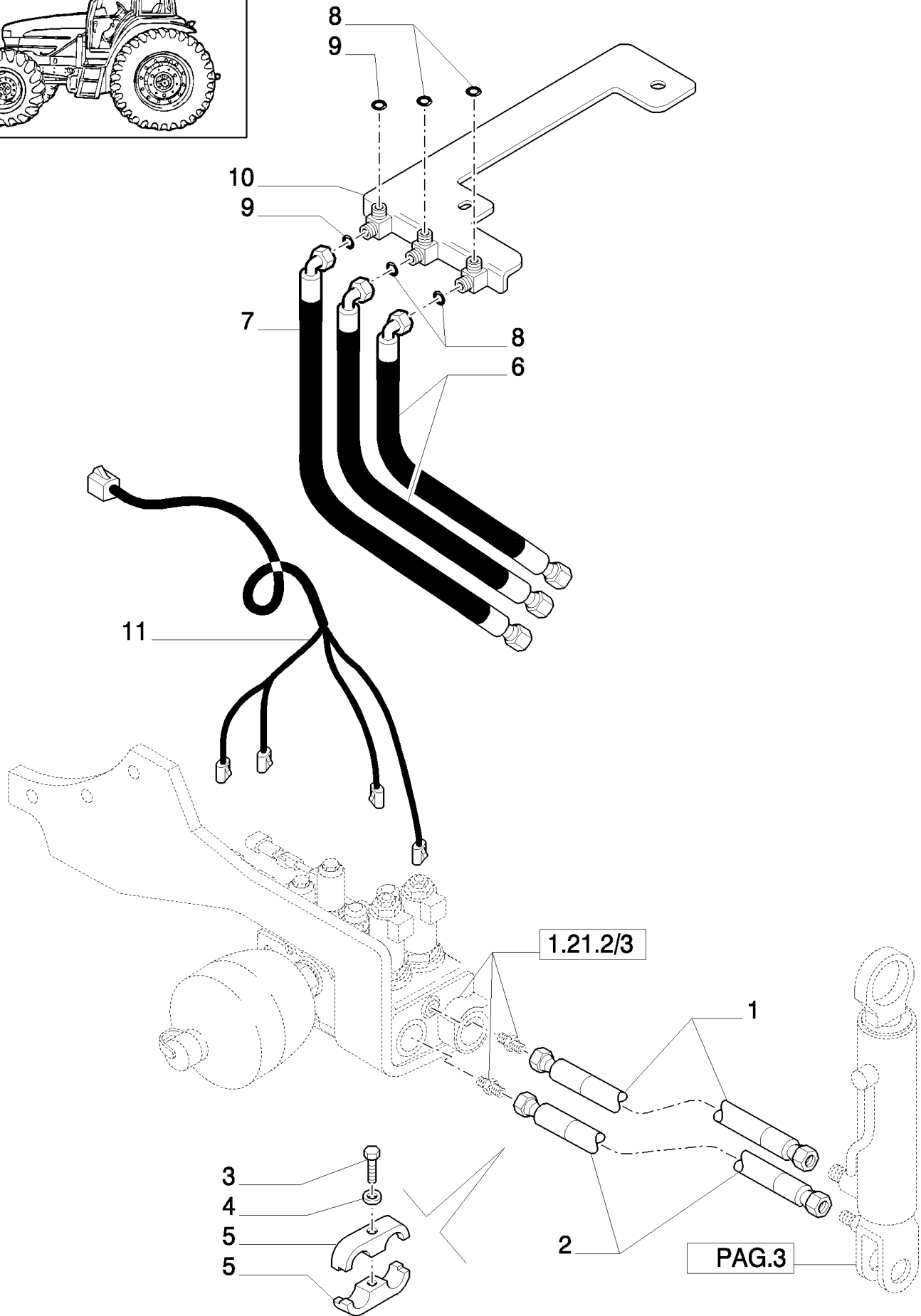
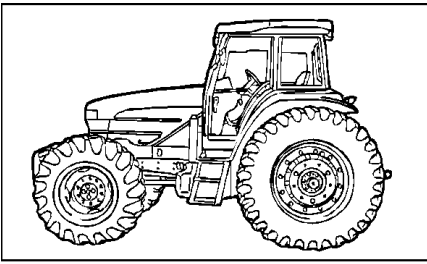


## MXM155 CASE IH TRACTOR (6/02- )

## 1.21.3/03(03) (VAR.463/1) 4WD FRONT AXLE WITH SUSPENSIONS, BRAKE, TERRALOCK, FPS - CYLINDER

сылка	Номер детали	Кол-во	Описание
1	47125430	1	HYDRAULIC CYLINDER, Incl. Ref. 2, 3, 4, 5, 6, 7, 8, 9
2	80370012	1	RING, SNAP, D=62
3	82016498	1	CONNECTOR, HYD., 1"-14 UN-2A/M22 x 1.5
4	83901443	1	O-RING, 90 Duro, .625" ID x .070" Thk
5	85700672	2	WASHER,
6	82019639	1	CONNECTOR, HYD., 13/16 2UN-2A/M27 x 2
7	89991976	1	O-RING, 90 Duro, .750" ID x .070" Thk
8	43138	2	SCREW, Hex, M10 x 20, 8.8, Full Thd,
9	82016695	1	BEARING,
10	82030091	1	PIN,
11	87414	1	NIPPLE, LUBE, 1/4"-28 x .56" lg, Drive,
12	82016732	1	SEAL, 34.2 x 39.7 x 9.5
13	82030656	1	PIN,
14	83931520	1	WASHER, M8
15	83991792	1	BOLT, M8 x 150
16	82016870	1	BRACKET,
17	47123025	1	KIT, SEALS,





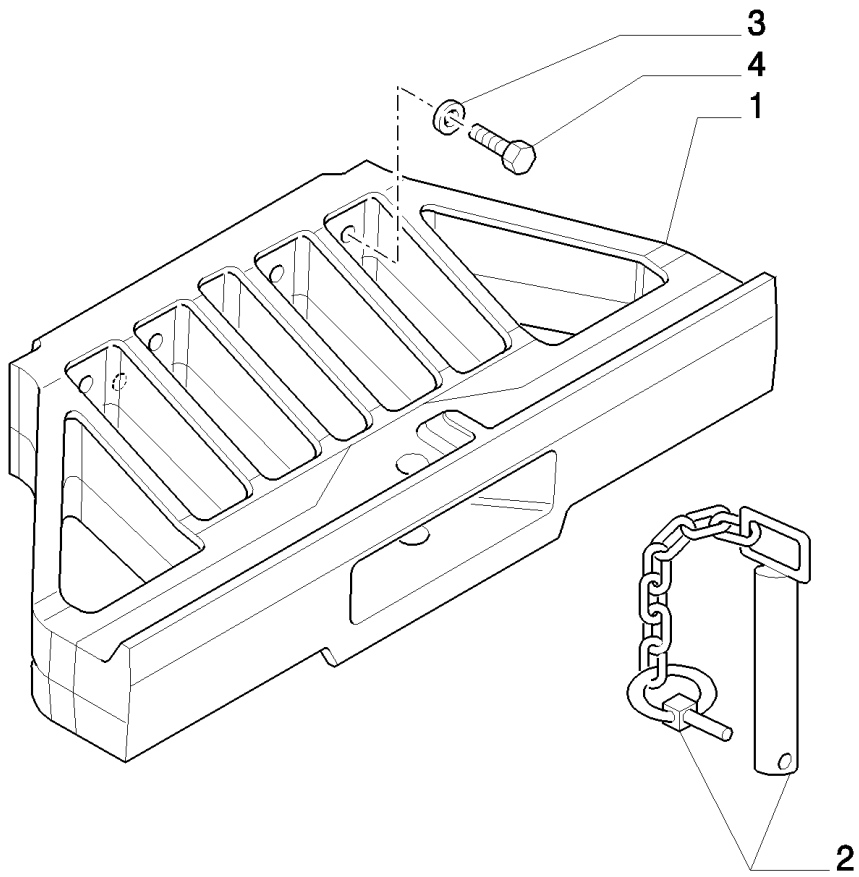
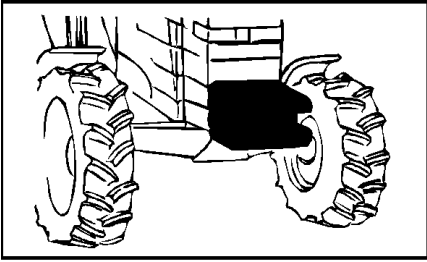
## MXM155 CASE IH TRACTOR (6/02- )

1.21.3/03(04) (VAR.463/1) 4WD FRONT AXLE WITH SUSPENSIONS, BRAKE, TERRALOCK, FPS - PIPES

сылка	Номер детали	Кол-во	Описание
1	82030129	1	HOSE, FLEXIBLE, MXM120, MXM130, MXM140, MXM155, BSN ACM259775
1	82030402	1	HOSE, FLEXIBLE, MXM175, MXM190
1	87313016	1	HOSE, FLEXIBLE, MXM120, MXM130, MXM140, MXM155, Raise, ASN ACM259776
1	87312948	1	HOSE, FLEXIBLE, MXM175, MXM190, Raise, ASN ACM259776
2	82030130	1	HOSE, FLEXIBLE, MXM120, MXM130, MXM140, MXM155, BSN ACM259775
2	82030403	1	HOSE, FLEXIBLE, MXM175, MXM190
2	87312949	1	HOSE, FLEXIBLE, MXM175, MXM190, Lower, ASN ACM259776
2	87313019	1	HOSE, FLEXIBLE, MXM120, MXM130, MXM140, MXM155, Lower, ASN ACM259776
3	11107621	3	BOLT, Hex, M10 x 70, 8.8,
3	11107721	1	BOLT, Hex, M10 x 75, 8.8,
4	14496621	4	WASHER, M10 x 21 x 2,
5	82022172	8	CLAMP,
6	82035337	2	HOSE, FLEXIBLE,
7	82020398	1	HOSE, FLEXIBLE, Front Diff. Lock
8	81844851	4	O-RING, 90 Duro, .375" ID x .070" Thk
9	89992298	2	O-RING, 90 Duro, .489" ID x .070" Thk
10	82026192	1	SUPPORT,
11	82019177	1	HARNESS, WIRE, Front Suspension Jump Lead

D5145 Serial N°ACM259776

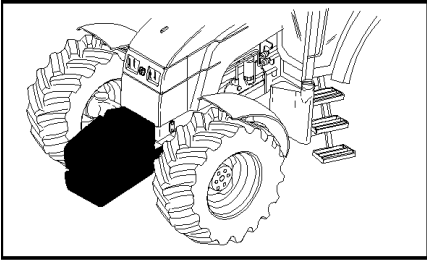
1.21.5 (VAR.023) FRONT WEIGHT CARRIER FOR FAN STYLED WEIGHTS



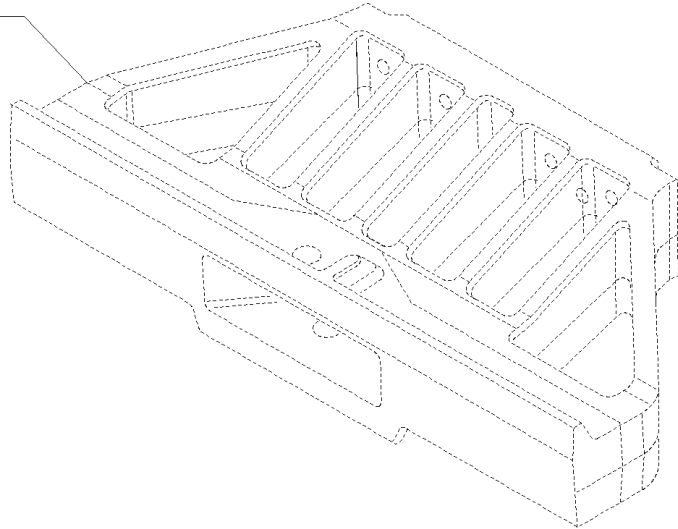
MXM155 CASE IH TRACTOR (6/02- )

1.21.5 (VAR.023) FRONT WEIGHT CARRIER FOR FAN STYLED WEIGHTS

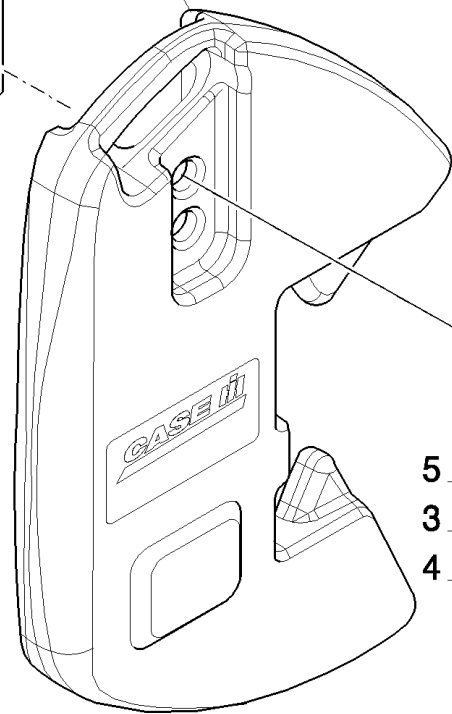
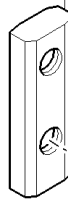
сылка	Номер детали	Кол-во	Описание
1	82031491	1	SUPPORT,
2	394086A1	1	PIN, CLEVIS,
3	11191779	6	WASHER,
4	16050821	6	BOLT, Hex, M20 x 90, 8.8,



1.21.5



1  
2



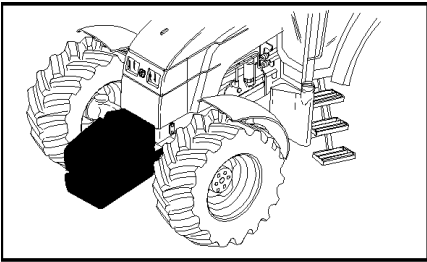
5  
3  
4



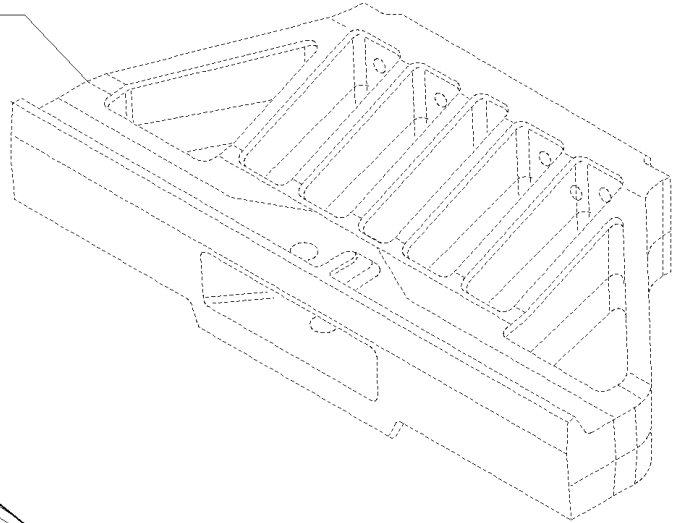
## MXM155 CASE IH TRACTOR (6/02- )

## 1.21.5/01 (VAR.037-039) WEIGHT CARRIER

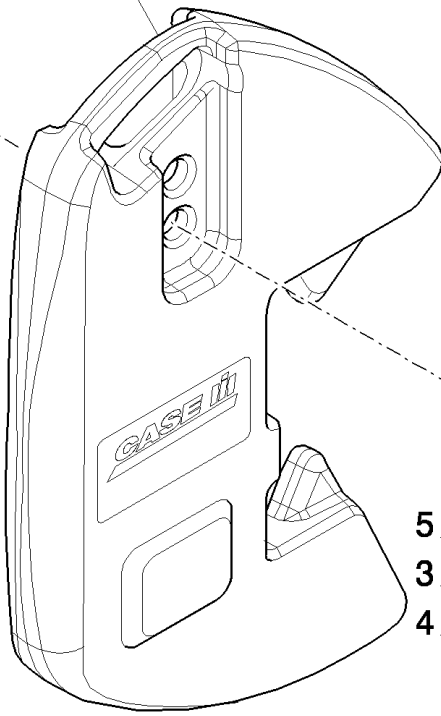
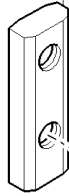
сылка	Номер детали	Кол-во	Описание
1	405846A3	AR	WEIGHT,
2	229483A1	1	RETAINER,
3	83924746	2	WASHER,
4	82028019	1	ROD, M16 x 610 (Equip. 037)
4	367765A1	1	ROD, THREADED, M16 x 950 (Equip. 039)
5	82011968	4	NUT, M16 x 2



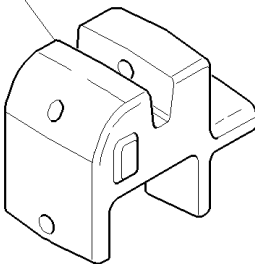
1.21.5



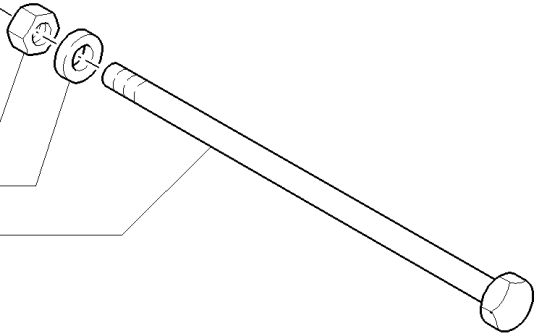
1  
2



7  
6



5  
3  
4

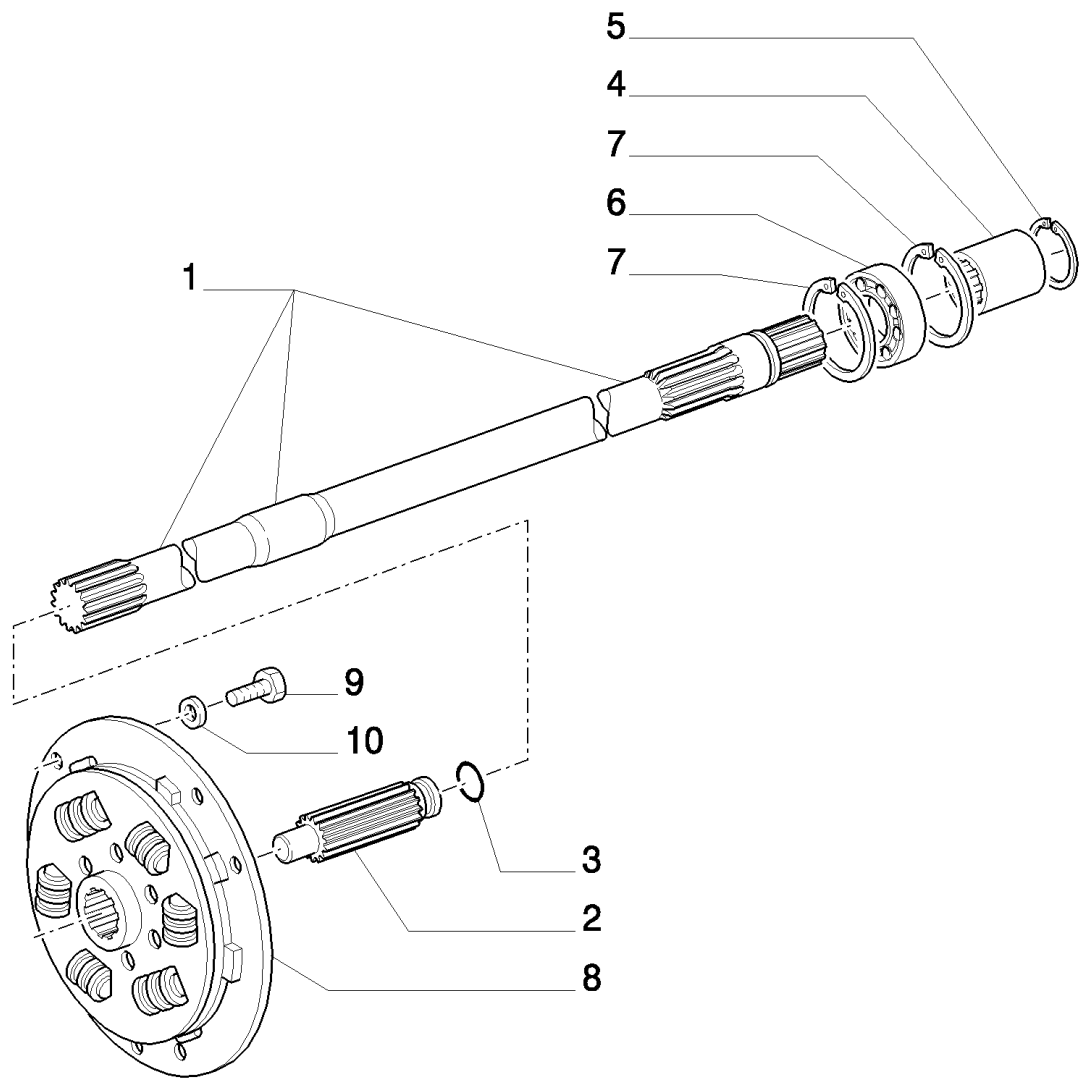
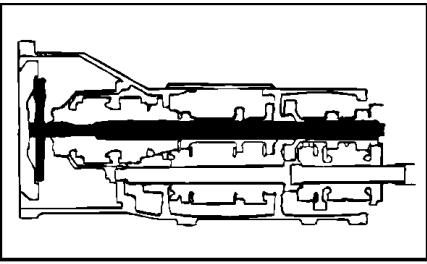


MXM155 CASE IH TRACTOR (6/02- )

1.21.5/02 (VAR.066-068) WEIGHT CARRIER - WITH HOOK

сылка	Номер детали	Кол-во	Описание
1	405846A3	AR	WEIGHT,
2	229483A1	1	RETAINER,
3	83924746	2	WASHER,
4	82028019	1	ROD, M16 x 610 (Equip. 066)
4	367765A1	1	ROD, THREADED, M16 x 950 (Equip. 068)
5	82011968	4	NUT, M16 x 2
6	82024272	1	SUPPORT,
7	368197A1	1	PIN,





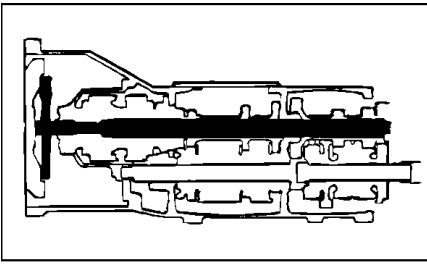
W/semi power shift trans.

## MXM155 CASE IH TRACTOR (6/02- )

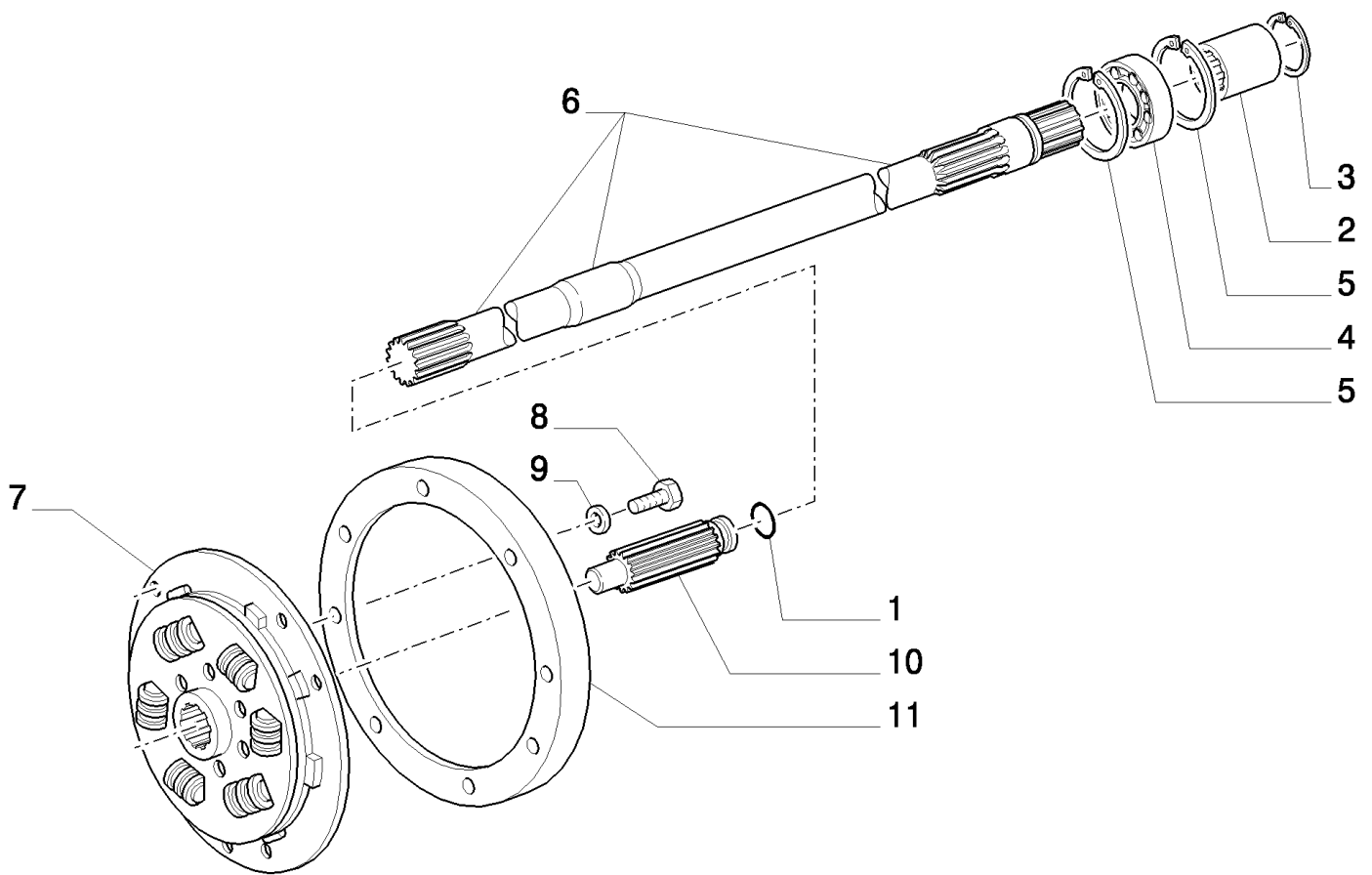
## 1.25.3/01 CLUTCH - PTO

сылка	Номер детали	Кол-во	Описание
1	5162223	1	SHAFT,
2	5165709	1	SHAFT,
3	14463381	1	O-RING, -215, CI 7, 1.046" ID x .139" Thk,
4	5152686	1	SLEEVE,
5	11058676	1	RING, SNAP, M28, Int,
6	20045200	1	BEARING, BALL, 35 x 80 x 21
7	11061976	2	RING, SNAP, M80, Int,
8	87304267	1	CLUTCH, PLATE,
9	16204430	9	BOLT, Hex Lock, M10 x 30,
10	11198374	9	WASHER, SPRING, Belleville, M10.5,

W/semi power shift trans.



W/FULL POWER-SHIFT TRANS. 18X6 (40Km/h) - Equip.281  
W/FULL POWER-SHIFT TRANS. 17X6 (30Km/h) - Equip.281/1



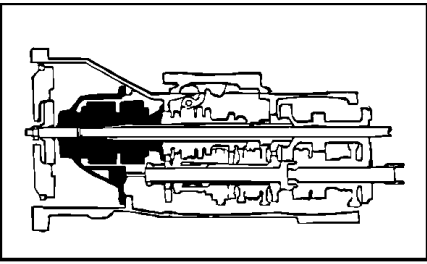
## MXM155 CASE IH TRACTOR (6/02- )

## 1.25.3/03 (VAR.281) CLUTCH - PTO

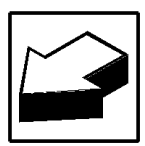
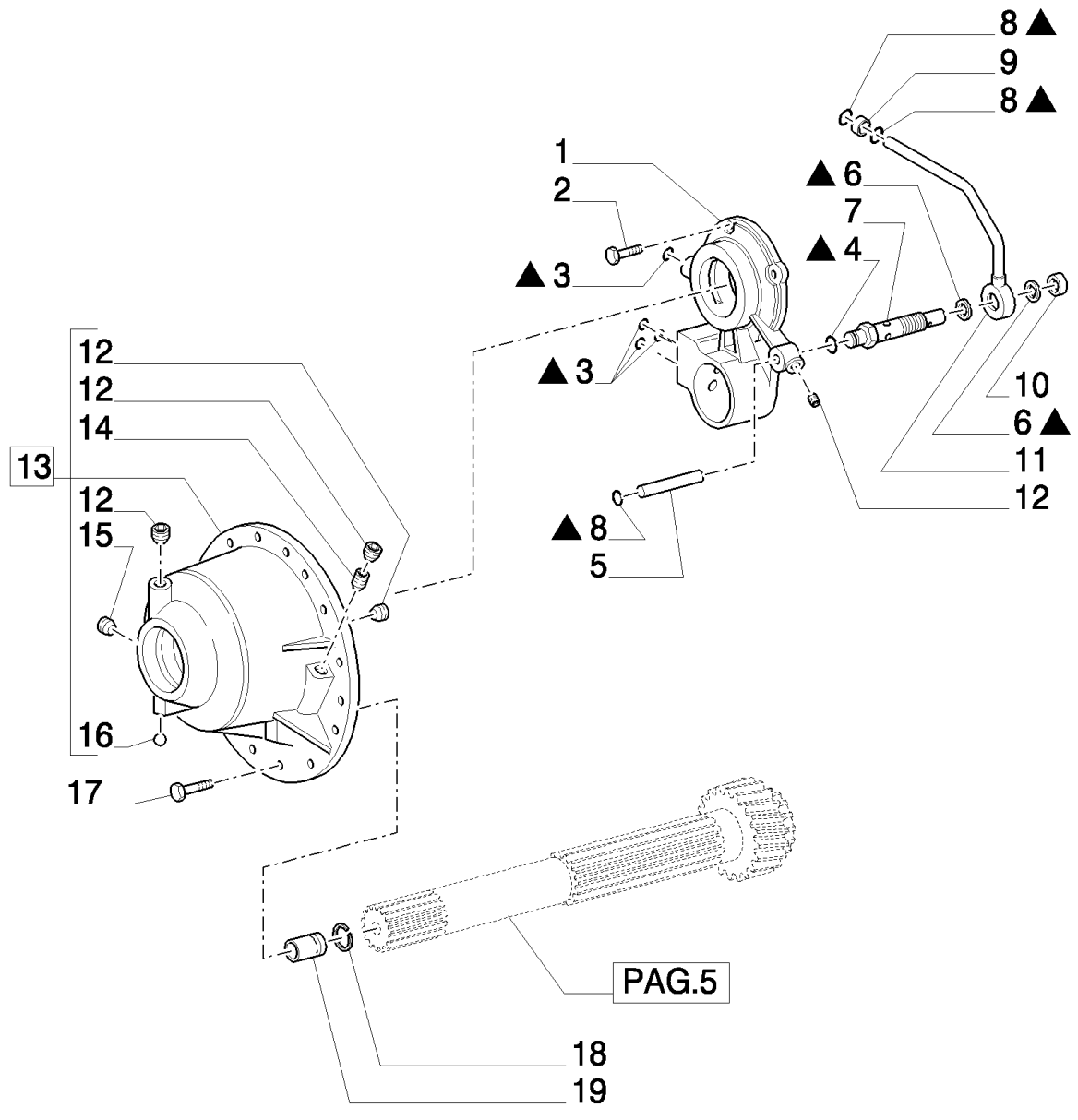
сылка	Номер детали	Кол-во	Описание
1	14463381	1	O-RING, -215, CI 7, 1.046" ID x .139" Thk,
2	5152686	1	SLEEVE,
3	11058676	1	RING, SNAP, M28, Int,
4	20045200	1	BEARING, BALL, 35 x 80 x 21
5	11061976	2	RING, SNAP, M80, Int,
6	5171898	1	SHAFT,
7	87302871	1	DAMPER,
8	16208430	8	BOLT, Hex, M12 x 65,
9	11198673	8	WASHER, LOCK, M12 x 24
10	5185497	1	SHAFT,
11	47125891	1	FLYWHEEL, ENGINE,

W/full power shift trans.

1.28.7(01) CLUTCH ENGAGEMENT



 ▲ = 20 (SEE ALSO PAG.2,3,4,5,6,7)

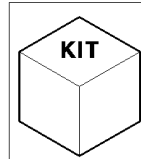
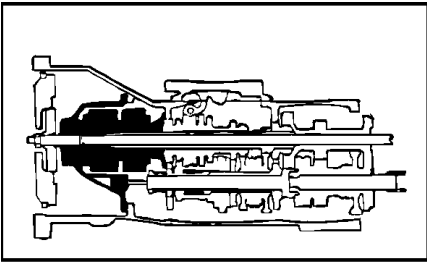


## MXM155 CASE IH TRACTOR (6/02- )

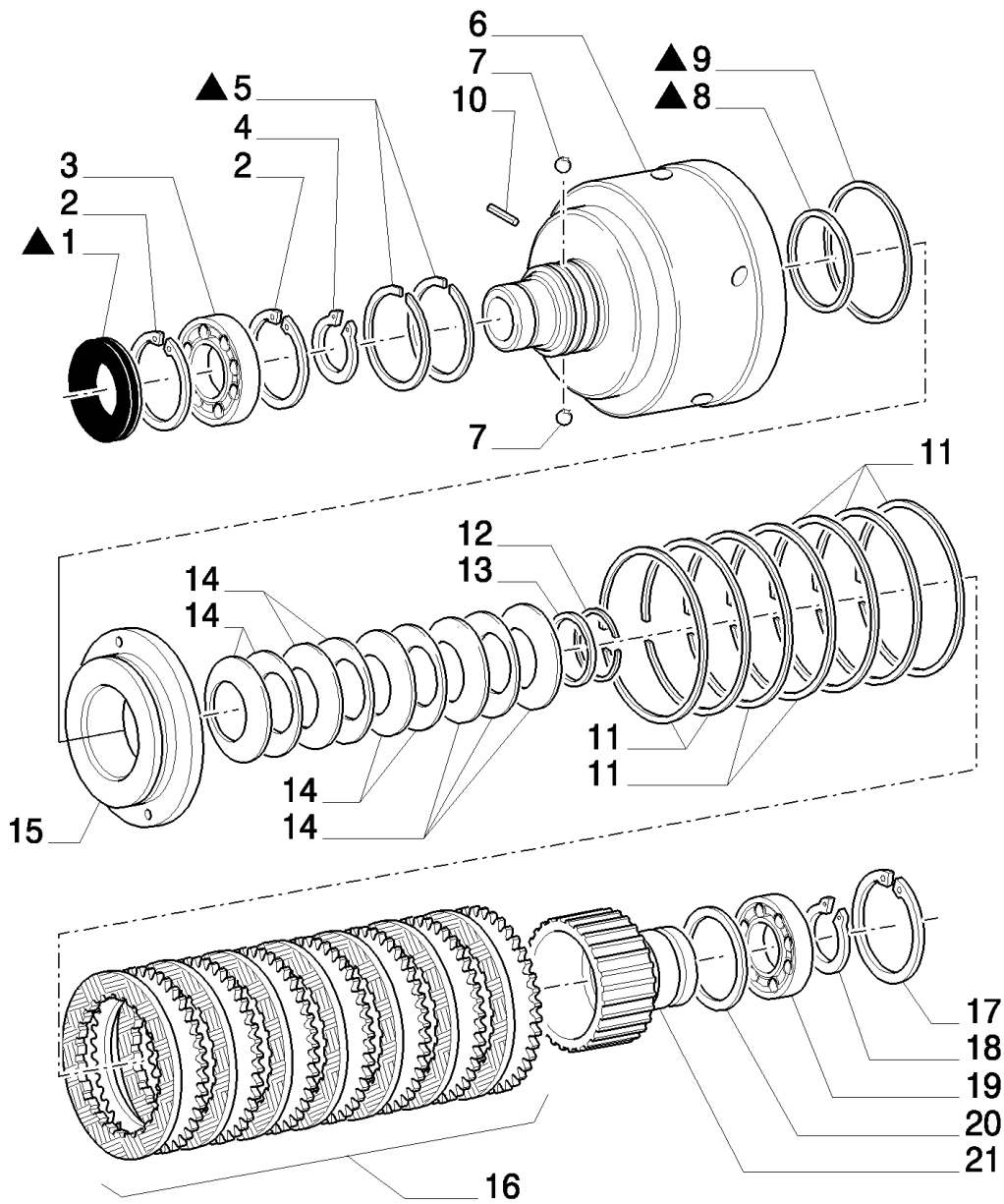
## 1.28.7(01) CLUTCH ENGAGEMENT

сылка	Номер детали	Кол-во	Описание
1	5187970	1	SUPPORT,
2	16043624	4	BOLT, Hex, M8 x 25, 8.8, Full Thd,
3	14457081	4	O-RING, -112, CI 7, .487" ID x .103" Thk,
4	5135738	1	O-RING, -115, CI 9, .674" ID x .103" Thk,
5	5178212	1	TUBE,
6	10261860	2	WASHER, COPPER, M22.3 x 30 x 1.5, Copper,
7	5185573	1	VALVE, PRESSURE RELIEF,
8	14457281	3	O-RING, -114, CI 7, .612" ID x .103" Thk,
9	5167066	1	BUSHING,
10	5164984	1	SPACER,
11	5164980	1	TUBE,
12	10275501	4	PLUG, M12 x 1.25
13	5164862	1	COVER,
14	5167313	1	PLUG, M12 x 12
15	14326001	1	PLUG, M10 x 1.25
16	20063460	1	BALL, D = 7.144
17	16043924	10	BOLT, Hex, M8 x 35, 8.8, Full Thd,
18	5185502	1	O-RING,
19	5186000	1	TUBE,
20	1930955	1	KIT, Main Clutch Gaskets

1.28.7(02) CLUTCH ENGAGEMENT



▲ = 22 (SEE ALSO PAG.1,3,4,5,6,7)



## MXM155 CASE IH TRACTOR (6/02- )

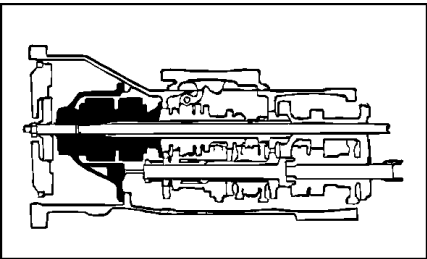
## 1.28.7(02) CLUTCH ENGAGEMENT

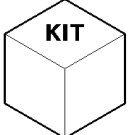
сылка	Номер детали	Кол-во	Описание
1	5122845	1	SEAL, 55 x 90 x 10, -C5490
1	87566840	1	GASKET, 55 x 90 x 10, D5490-
2	11062476	2	RING, SNAP, M90, Int,
3	5122846	1	BEARING, BALL, 55 x 90 x 18
4	11069576	1	RING, SNAP, M55, Ext,
5	5131232	2	SEALRING,
6	5171203	1	HOUSING, (7.10)
7	20063460	2	BALL, D = 7.144
8	5162398	1	SEAL,
9	5143775	1	SEAL, 135 x 128.5 x 3.2
10	14158470	1	PIN, LOCK, M2 x 10, Slotted,
11	5166536	7	SPRING,
12	5162253	1	RING, LOCKING,
13	5162263	1	RETAINER CUP,
14	5162331	9	SPRING, , -C5486
14	87547943	9	SPRING, , D5496-
15	5171202	1	PISTON,
16	5167863	1	KIT, Clutch Plates
17	11062976	1	RING, SNAP, Int, M100 x 3,
18	11070376	1	RING, SNAP, M70, Ext,
19	5162399	1	BEARING, BALL, 70 x 100 x 16
20	5169098	1	WASHER,
21	5162334	1	HUB,
22	1930955	1	KIT, Main Clutch Gaskets

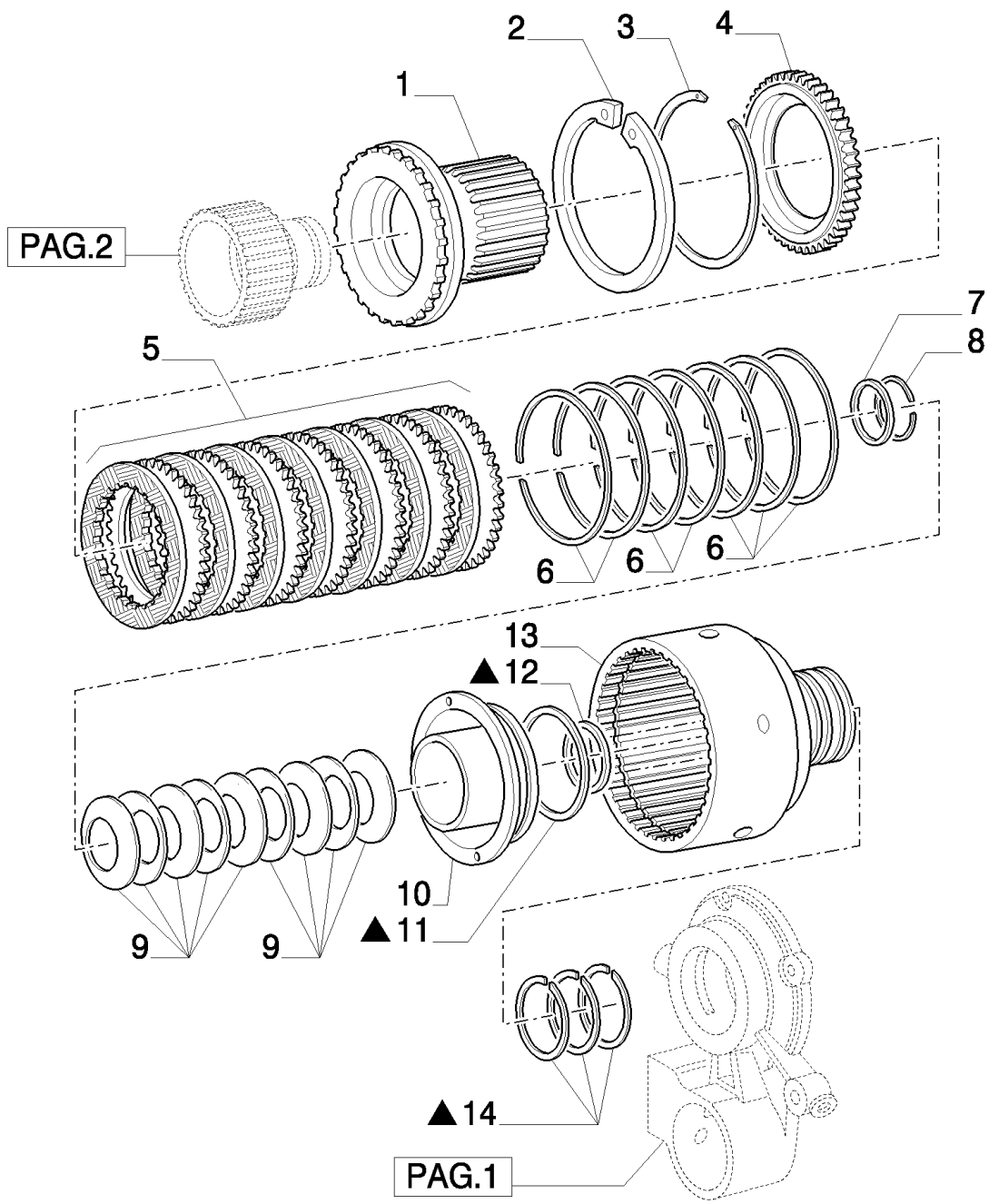
D5490 After Date 02 August 2006 D5486 After Date 22 June 2006



1.28.7(03) CLUTCH ENGAGEMENT



 ▲ = 15 (SEE ALSO PAG.1,2,4,5,6,7)

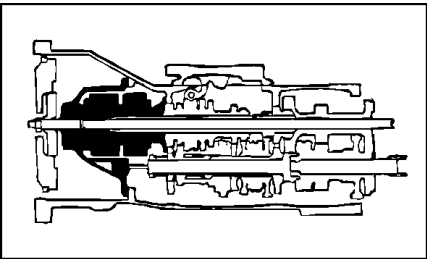


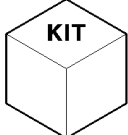
## MXM155 CASE IH TRACTOR (6/02- )

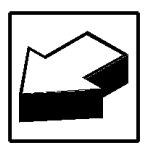
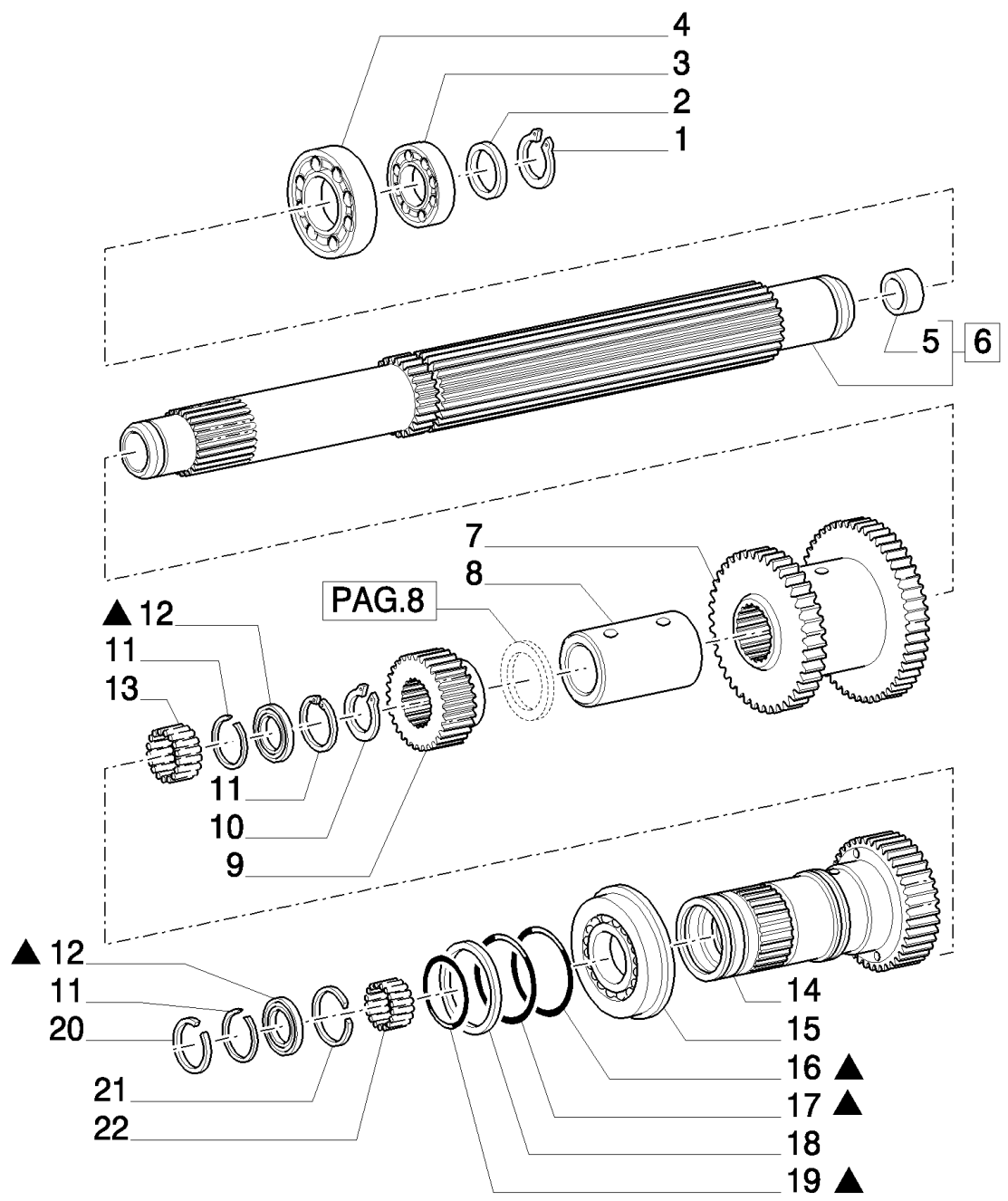
## 1.28.7(03) CLUTCH ENGAGEMENT

сылка	Номер детали	Кол-во	Описание
1	5162333	1	HUB,
2	11078676	1	RING, SNAP, M175, Int,
3	5122844	1	RING, LOCKING,
4	5122821	1	DISC,
5	5167863	1	KIT, Clutch Plates
6	5166536	7	SPRING,
7	5162263	1	RETAINER CUP,
8	5162253	2	RING, LOCKING,
9	5162331	9	SPRING, , -C5486
9	87547943	9	SPRING, , D5486-
10	5171202	1	PISTON,
11	5143775	1	SEAL, 135 x 128.5 x 3.2
12	5162398	1	SEAL,
13	5171195	1	HOUSING,
14	5131232	3	SEALRING,
15	1930955	1	KIT, Main Clutch Gaskets

1.28.7(04) CLUTCH ENGAGEMENT



 ▲ = 23 (SEE ALSO PAG.1,2,3,5,6,7)

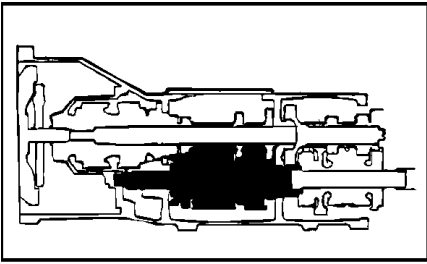


## MXM155 CASE IH TRACTOR (6/02- )

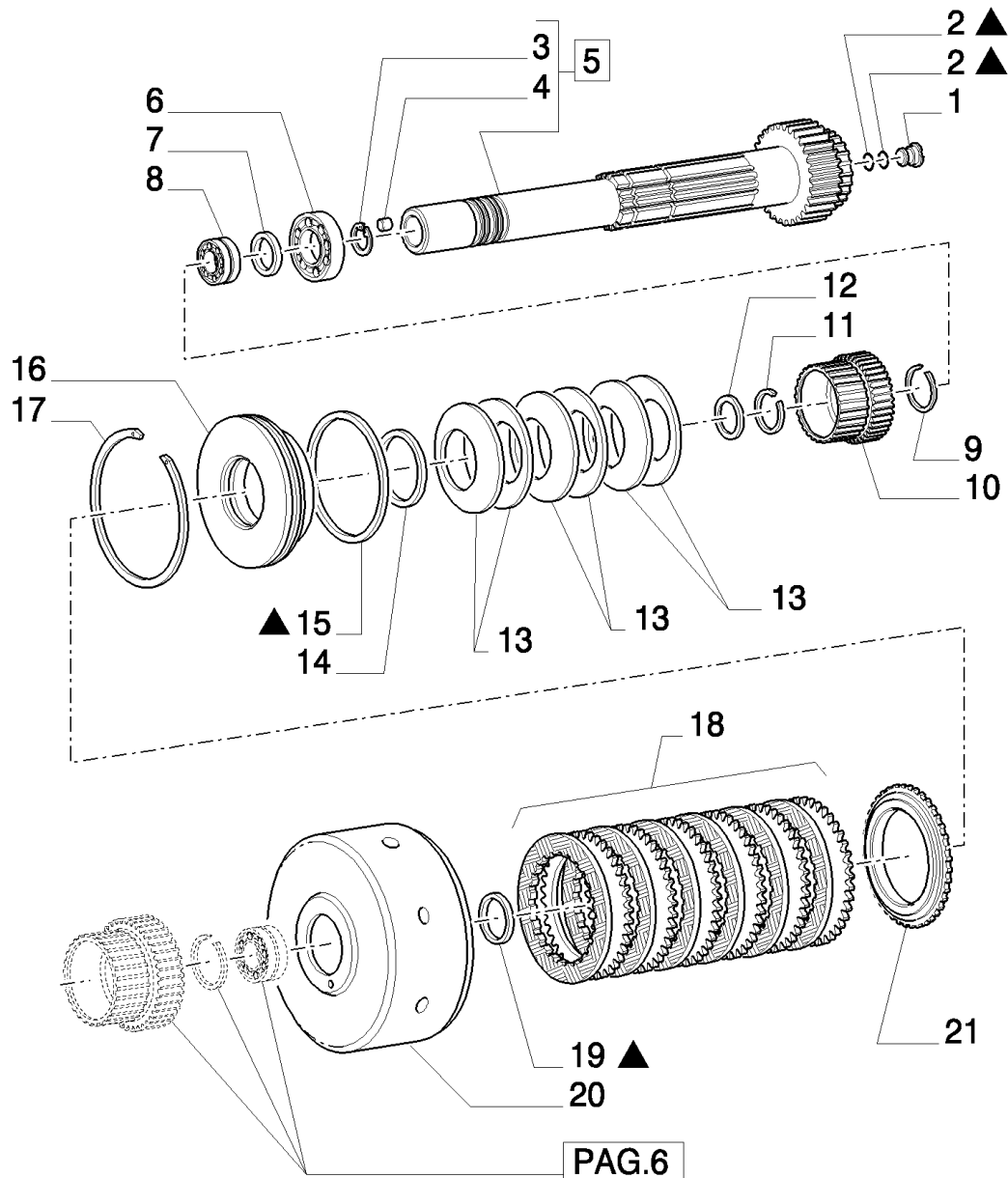
## 1.28.7(04) CLUTCH ENGAGEMENT

сылка	Номер детали	Кол-во	Описание
1	5138419	1	RING, SNAP, D = 50
2	5144962	1	WASHER, THRUST,
3	26800160	1	BEARING, ROLLER, TAPERED, 50 x 90 x 24.75
4	5138418	1	BEARING, ROLLER, TAPERED, 50 x 110 x 29.25
5	5107725	1	BUSHING,
6	5162246	1	SHAFT, DRIVEN,
7	47126213	1	GEAR, III-IV-V-VI Speed
8	5183725	1	SPACER,
9	5162233	1	GEAR, DRIVEN, I Speed
10	5134792	1	RING, LOCKING,
11	5142178	6	RING, LOCKING,
12	5162255	2	GASKET, 50 x 58 x 4
13	5162256	1	BEARING, NEEDLE, 50 x 58 x 25
14	5164739	1	GEAR, DRIVEN, II Speed
15	28996390	1	BEARING,
16	14460680	1	O-RING, -148, 90 Duro, 2.737" ID x .103" Thk,
17	14464980	1	O-RING, -231, 70 Duro, 2.609" ID x .139" Thk,
18	5162361	1	RING,
19	14455480	1	O-RING, -037, 70 Duro, 2.489" ID x .070" Thk,
20	5195945	1	RING, LOCKING,
21	5149933	1	RING, LOCKING,
22	5162254	1	BEARING, NEEDLE, 50 x 55 x 20
23	1930955	1	KIT, Main Clutch Gaskets

1.28.7(05) CLUTCH ENGAGEMENT



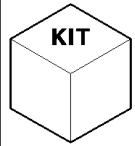
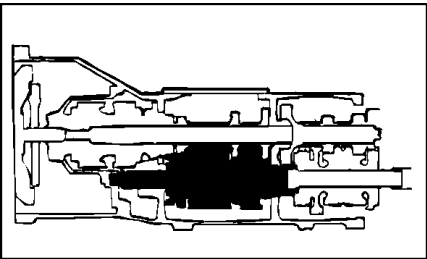
▲ = 22 (SEE ALSO PAG.1,2,3,4,6,7)



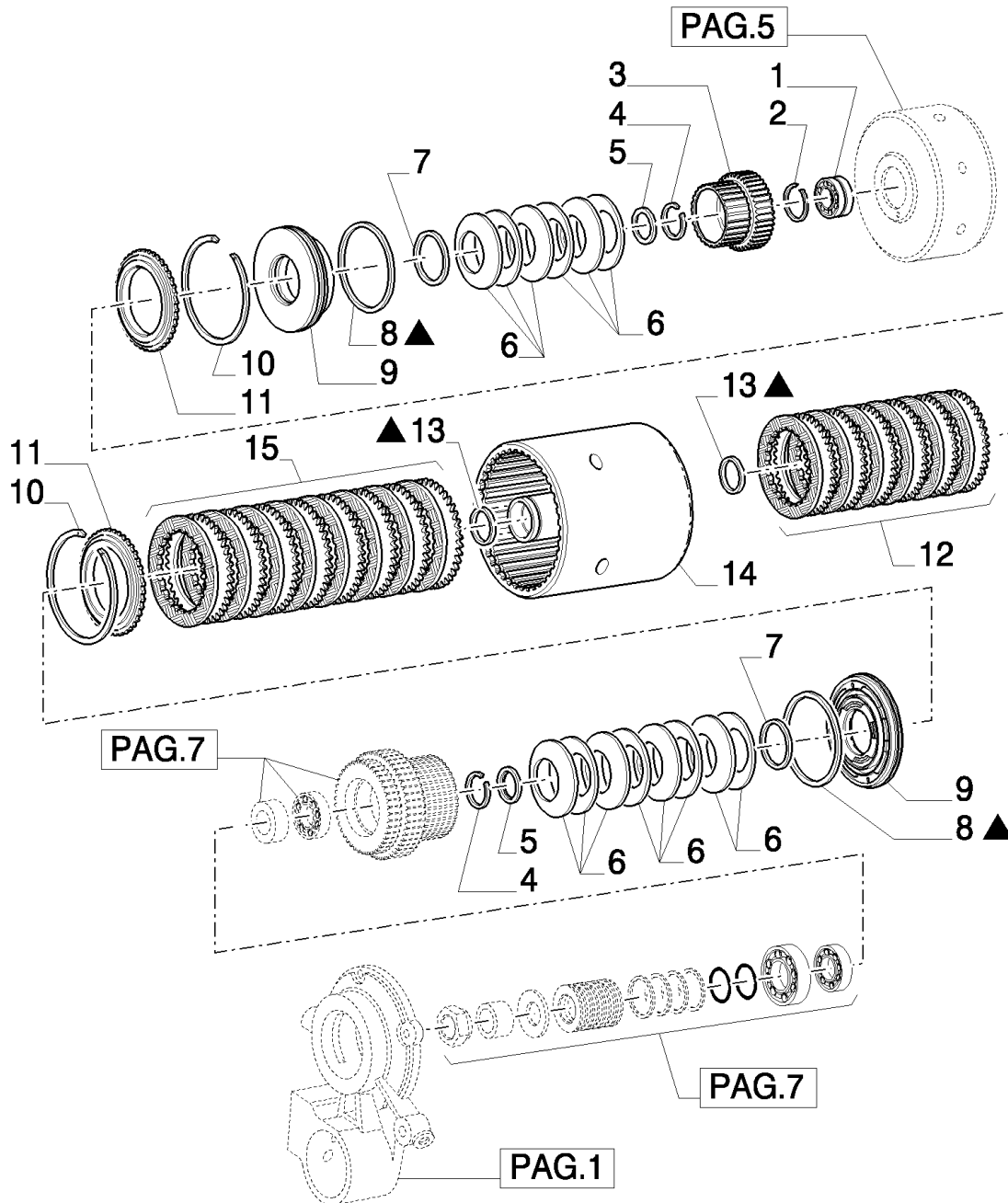
## MXM155 CASE IH TRACTOR (6/02- )

## 1.28.7(05) CLUTCH ENGAGEMENT

сылка	Номер детали	Кол-во	Описание
1	5166039	1	SLEEVE,
2	5135738	2	O-RING, -115, CI 9, .674" ID x .103" Thk,
3	11059076	1	RING, SNAP, M32, Int,
4	5162260	3	PLUG,
5	5180808	1	SHAFT, MAIN,
6	5138418	1	BEARING, ROLLER, TAPERED, 50 x 110 x 29.2
7	5162261	1	SPACER,
8	5162622	1	BEARING, BALL, 50 x 80 x 32
9	5162623	1	RING,
10	47126212	1	GEAR, V-VI Speed
11	5175981	1	RING, LOCKING,
12	5164928	1	RING,
13	5164927	6	SPRING, , -C5486
13	87547947	6	SPRING, , D5486-
14	5164926	1	RING, , -C5486
14	87547826	1	RING, , D5486-
15	5138955	1	O-RING,
16	5187977	1	PISTON, , -C5486
16	87547824	2	PISTON, , D5486-
17	5162251	1	RING, LOCKING,
18	5167875	1	KIT, Clutch Plates
19	5162252	1	GASKET,
20	5167836	1	HOUSING, CLUTCH,
21	5167824	1	DISC,
22	1930955	1	KIT, Main Clutch Gaskets



▲ = 16 (SEE ALSO PAG.1,2,3,4,5,7)

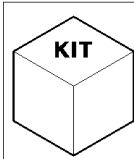
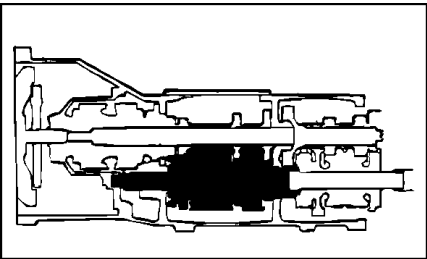


## MXM155 CASE IH TRACTOR (6/02- )

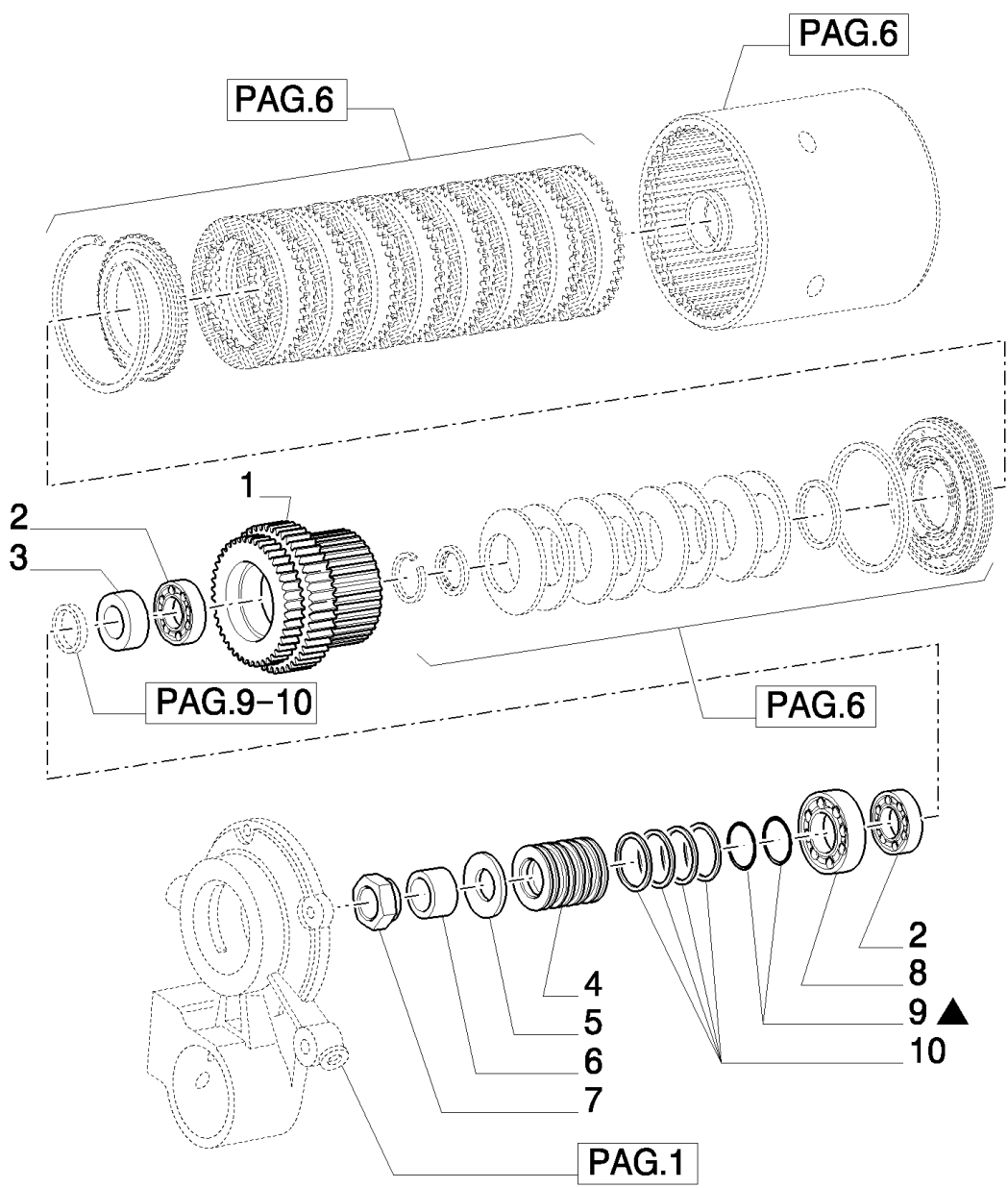
## 1.28.7(06) CLUTCH ENGAGEMENT

сылка	Номер детали	Кол-во	Описание
1	5162622	1	BEARING, BALL, 50 x 80 x 32
2	5162623	1	RING,
3	5167830	1	GEAR, DRIVEN, III IV Speed
4	5175981	2	RING, LOCKING,
5	5164928	2	RING,
6	5164927	14	SPRING, , -C5486
6	87547947	14	SPRING, , D5486-
7	5164926	2	RING, , -C5486
7	87547826	2	RING, , D5486-
8	5138955	2	O-RING,
9	5187977	2	PISTON, , -C5486
9	87547824	2	PISTON, , D5486-
10	5162251	2	RING, LOCKING,
11	5167824	2	DISC,
12	5167875	1	KIT, Clutch Plates
13	5162252	2	GASKET,
14	5167835	1	HOUSING, CLUTCH,
15	5165058	1	KIT, Clutch Plates
16	1930955	1	KIT, Main Clutch Gaskets





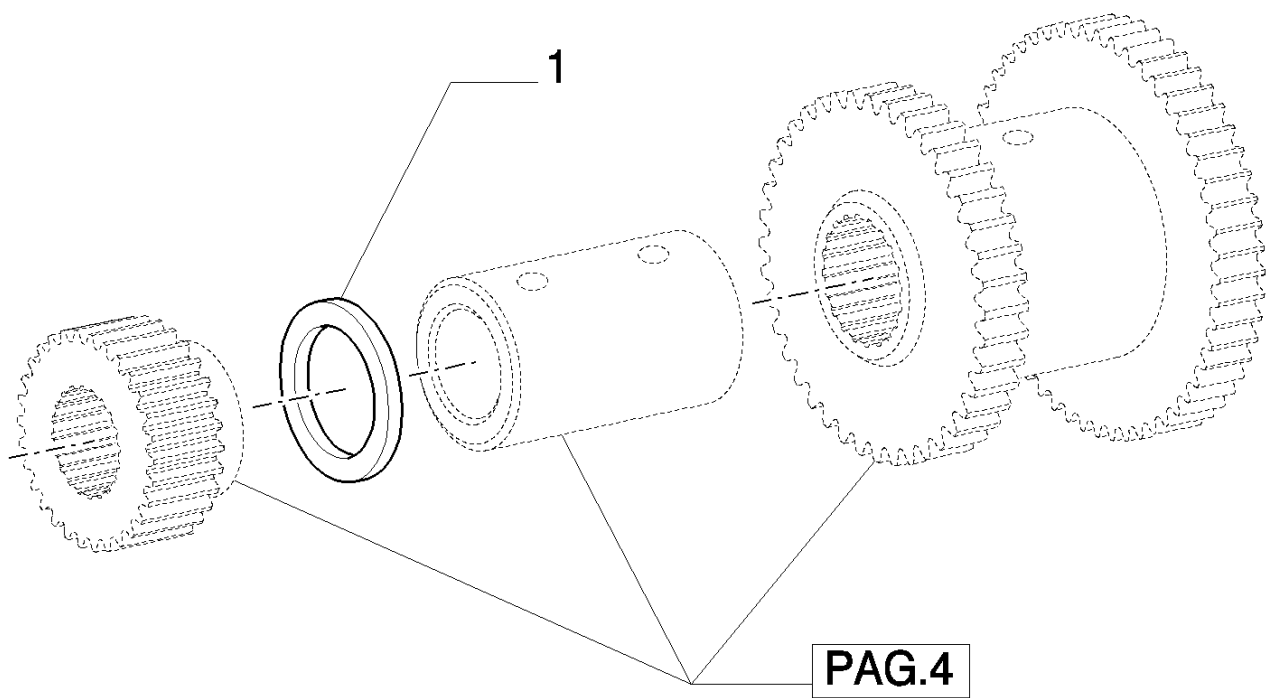
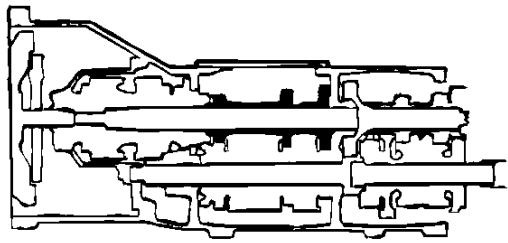
▲ = 11 (SEE ALSO PAG.1,2,3,4,5,6)



## MXM155 CASE IH TRACTOR (6/02- )

## 1.28.7(07) CLUTCH ENGAGEMENT

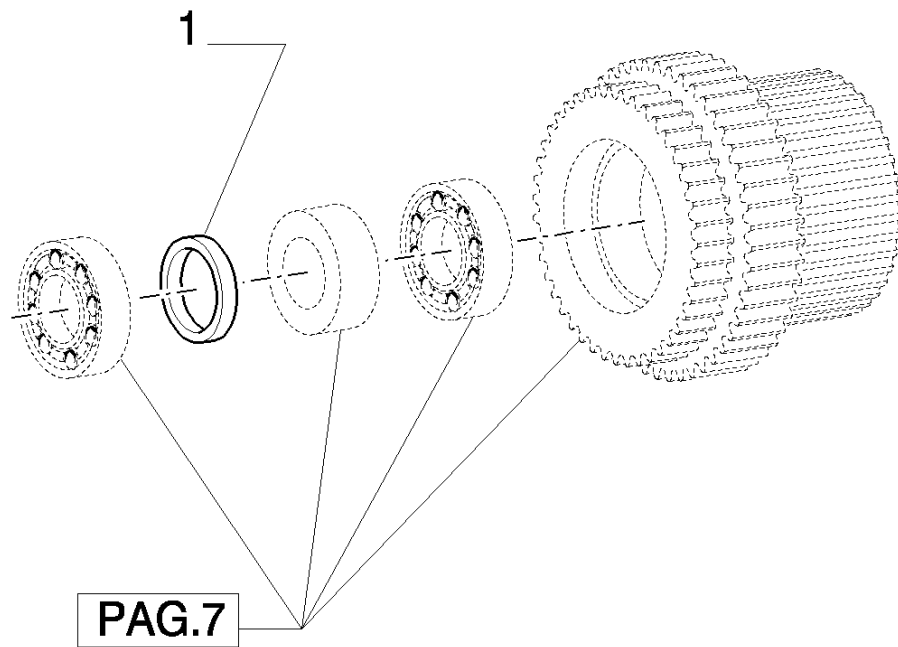
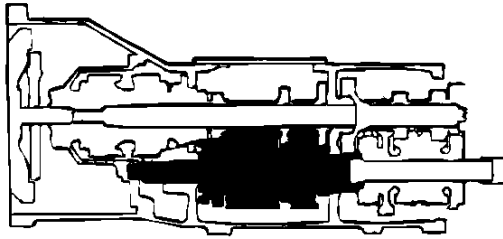
сылка	Номер детали	Кол-во	Описание
1	5167826	1	GEAR, DRIVEN, I - II Speed
2	24903820	2	BEARING ASSY, 45 x 75 x 20
3	5167099	1	SPACER,
4	5187957	1	SLEEVE,
5	5166037	1	SPRING,
6	5177809	1	SPACER,
7	5147930	1	NUT, RING,
8	5150900	1	BEARING, ROLLER, 45 x 85 x 19
9	14454781	2	O-RING, -030, CI 7, 1.614" ID x .070" Thk,
10	83911795	4	SEAL,
11	1930955	1	KIT, Main Clutch Gaskets



## MXM155 CASE IH TRACTOR (6/02- )

## 1.28.7(08) CLUTCH ENGAGEMENT

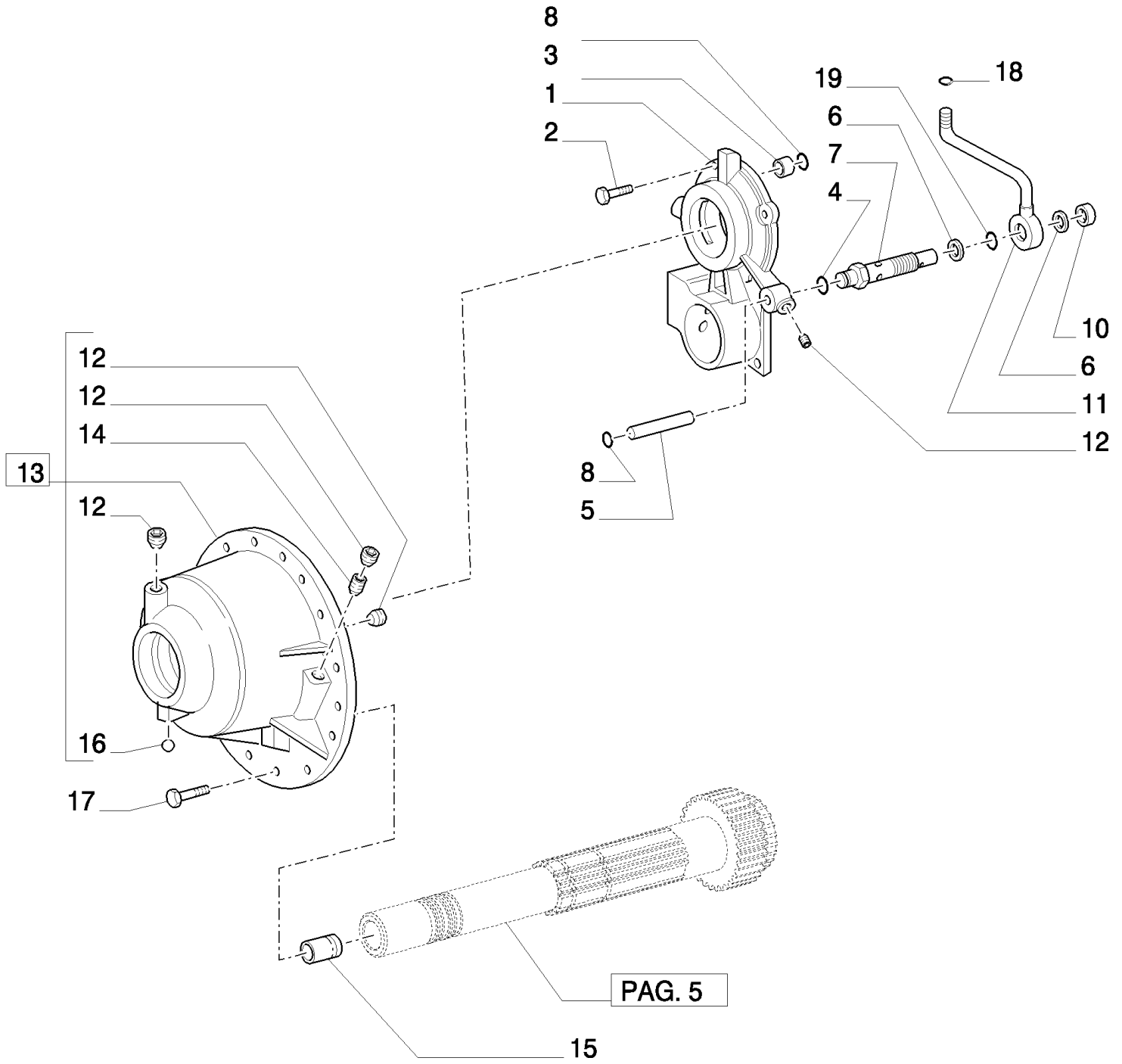
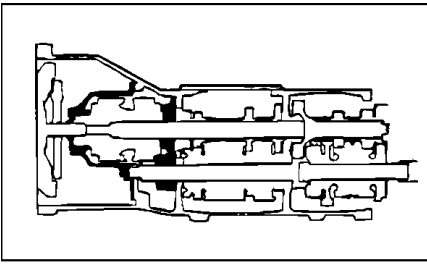
сылка	Номер детали	Кол-во	Описание
1	5112872	AR	SHIM, 1.90mm Thk,
1	5112873	AR	SHIM, 2.00mm Thk,
1	5129645	AR	SHIM, 4.65mm Thk,
1	5129646	AR	SHIM, 4.70mm Thk,
1	5129647	AR	SHIM, 4.75mm Thk,
1	5129648	AR	SHIM, 4.80mm Thk ,
1	5134800	AR	SHIM, 3.85mm Thk,
1	5134801	AR	SHIM, 3.90mm Thk,
1	5134802	AR	SHIM, 3.95mm Thk,
1	5134804	AR	SHIM, 4.05mm Thk,
1	5112874	AR	SHIM, 2.05mm Thk,
1	5112875	AR	SHIM, 2.10mm Thk,
1	5112876	AR	SHIM, 2.15mm Thk,
1	5112877	AR	SHIM, 2.20mm Thk,
1	5129635	AR	SHIM, 4.15mm Thk,
1	5129637	AR	SHIM, 4.25mm Thk,
1	5129639	AR	SHIM, 4.35mm Thk,
1	5129641	AR	SHIM, 4.45mm Thk,
1	5129642	AR	SHIM, 4.50mm Thk,
1	5129643	AR	SHIM, 4.55mm Thk,
1	5129644	AR	SHIM, 4.60mm Thk,



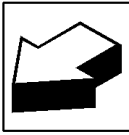
## MXM155 CASE IH TRACTOR (6/02- )

## 1.28.7(09) CLUTCH ENGAGEMENT

сылка	Номер детали	Кол-во	Описание
1	5167100	AR	SHIM, 9.80mm Thk,
1	5167101	AR	SHIM, 9.825mm Thk,
1	5167102	AR	SHIM, 9.85mm Thk,
1	5167103	AR	SHIM, 9.875mm Thk,
1	5167104	AR	SHIM, 9.90mm Thk,
1	5167105	AR	SHIM, 9.925mm Thk,
1	5167106	AR	SHIM, 9.95mm Thk,
1	5167107	AR	SHIM, 9.975mm Thk,
1	5167108	AR	SHIM, 10.00mm Thk,
1	5167109	AR	SHIM, 10.025mm Thk,
1	5167110	AR	SHIM, 10.05mm Thk,
1	5167111	AR	SHIM, 10.075mm Thk,
1	5167112	AR	SHIM, 10.10mm Thk,
1	5167113	AR	SHIM, 10.125mm Thk,
1	5167114	AR	SHIM, 10.15mm Thk,
1	5167115	AR	SHIM, 10.175mm Thk,
1	5167116	AR	SHIM, 10.20mm Thk,
1	5167117	AR	SHIM, 10.225mm Thk,
1	5167118	AR	SHIM, 10.25mm Thk,
1	5175400	AR	SHIM, 10.275mm Thk,
1	5175401	AR	SHIM, 10.300mm Thk,
1	5175402	AR	SHIM, 10.325mm Thk,
1	5175403	AR	SHIM, 10.350mm Thk,
1	5175404	AR	SHIM, 10.375mm Thk,
1	5175405	AR	SHIM, 10.400mm Thk,
1	5175406	AR	SHIM, 10.425mm Thk,
1	5175408	AR	SHIM, 10.450mm Thk,
1	5175409	AR	SHIM, 10.475mm Thk,
1	5175410	AR	SHIM, 10.500mm Thk,
1	5175411	AR	SHIM, 10.525mm Thk,
1	5175412	AR	SHIM, 10.550mm Thk,
1	5175414	AR	SHIM, 10.575mm Thk,
1	5175415	AR	SHIM, 10.600mm Thk,
1	5175416	AR	SHIM, 10.625mm Thk,
1	5175417	AR	SHIM, 10.650mm Thk,
1	5175418	AR	SHIM, 10.675mm Thk,
1	5175419	AR	SHIM, 10.700mm Thk,



PAG. 5

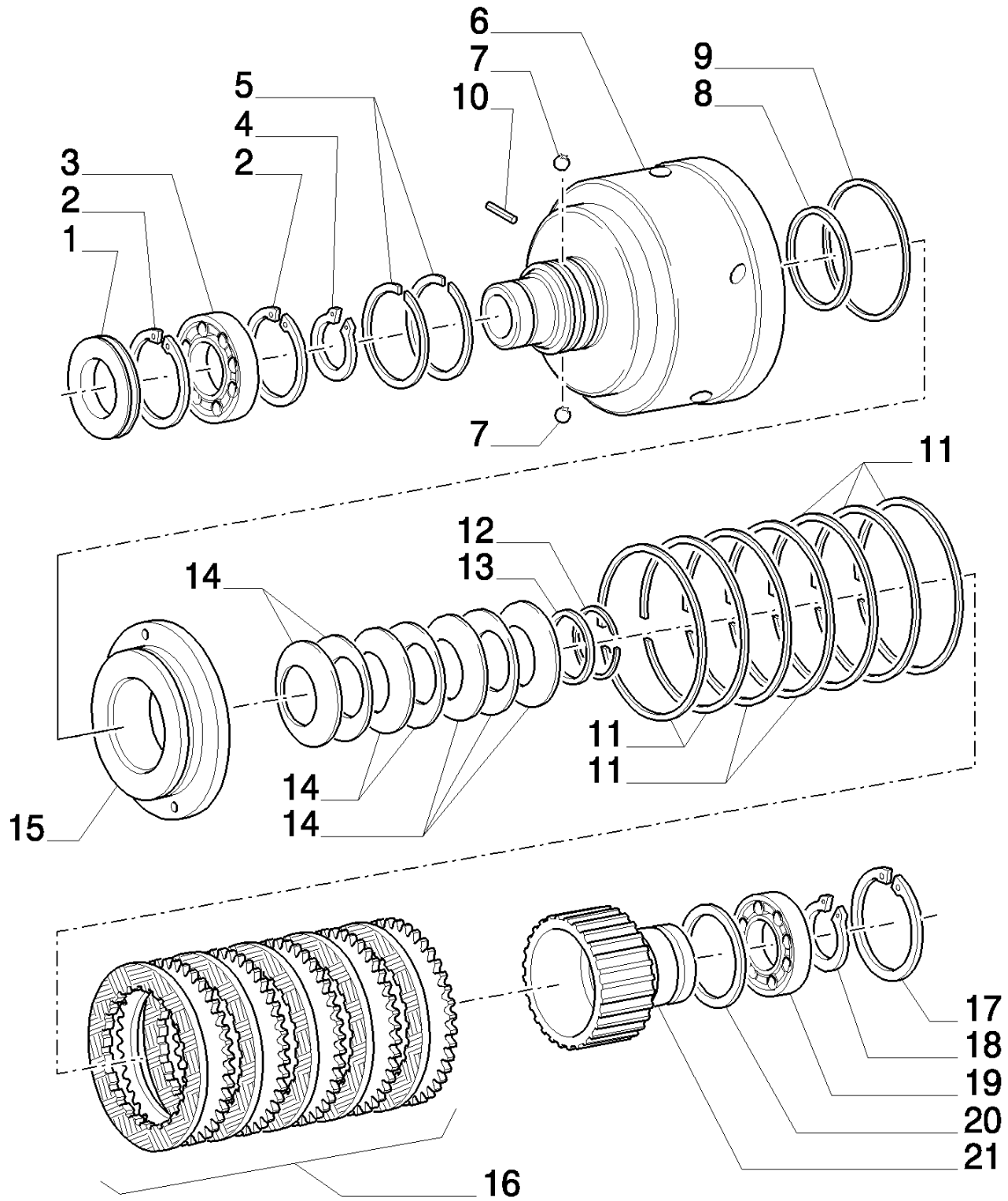
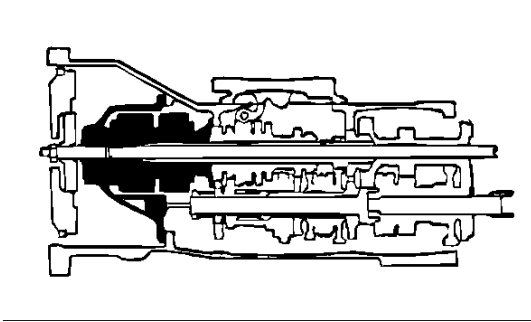


## MXM155 CASE IH TRACTOR (6/02- )

## 1.28.7/03(01) (VAR.281) FULL POWER-SHIFT TRANS. 18X6 (40 KPH-4WD) AND 17X6 (30 KPH) - CLUTCH ENGAGEMENT

сылка	Номер детали	Кол-во	Описание
1	5179106	1	MANIFOLD,
2	16043624	6	BOLT, Hex, M8 x 25, 8.8, Full Thd,
3	5178778	4	BUSHING,
4	5135738	1	O-RING, -115, CI 9, .674" ID x .103" Thk,
5	5178212	1	TUBE,
6	10261860	2	WASHER, COPPER, M22.3 x 30 x 1.5, Copper,
7	5185573	1	VALVE, PRESSURE RELIEF,
8	14457281	6	O-RING, -114, CI 7, .612" ID x .103" Thk,
9	5167066	1	BUSHING,
10	5164984	1	SPACER,
11	5172521	1	TUBE,
12	10275501	9	PLUG, M12 x 1.25
13	5171865	1	COVER,
14	5183149	1	THROAT,
15	5171880	1	TUBE,
16	20063460	1	BALL, D = 7.144
17	16043924	10	BOLT, Hex, M8 x 35, 8.8, Full Thd,
18	5172342	1	O-RING, 3.53 x 15.47
19	5185502	1	O-RING,



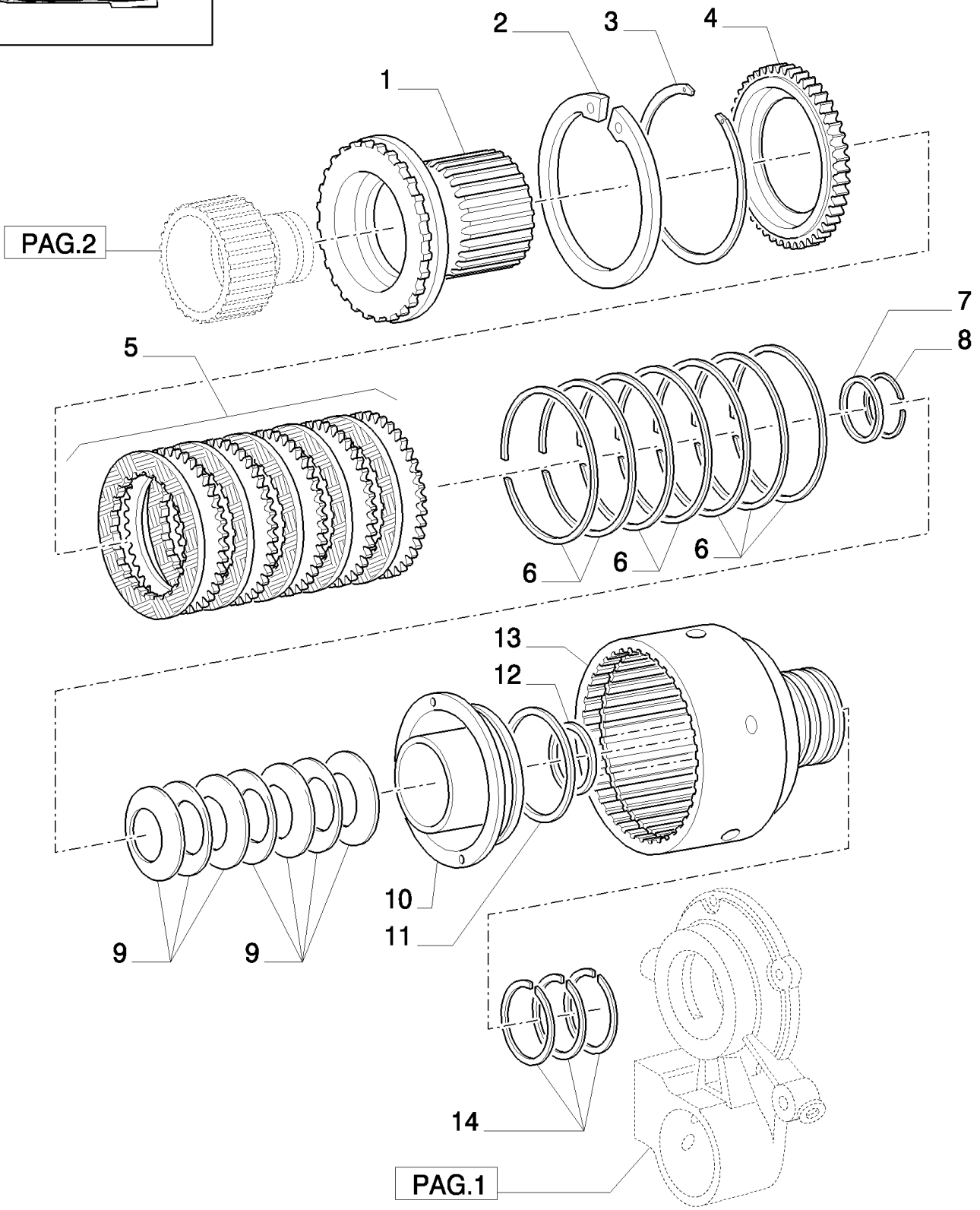
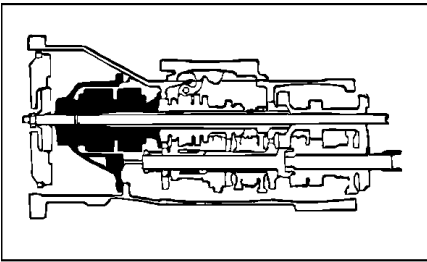


## MXM155 CASE IH TRACTOR (6/02- )

## 1.28.7/03(02) (VAR.281) FULL POWER-SHIFT TRANS. 18X6 (40 KPH-4WD) AND 17X6 (30 KPH) - CLUTCH ENGAGEMENT

сылка	Номер детали	Кол-во	Описание
1	5122845	1	SEAL, 55 x 90 x 10, -C5490
1	87566840	1	GASKET, 55 x 90 x 10, D5490-
2	11062476	2	RING, SNAP, M90, Int,
3	5122846	1	BEARING, BALL, 55 x 90 x 18
4	11069576	1	RING, SNAP, M55, Ext,
5	5131232	2	SEALRING,
6	5179511	1	HOUSING, (7, 10)
7	20063460	2	BALL, D = 7.144
8	5160154	1	GASKET,
9	5172235	1	GASKET,
10	14158470	1	PIN, LOCK, M2 x 10, Slotted,
11	5166536	7	SPRING,
12	5162253	1	RING, LOCKING,
13	5162263	1	RETAINER CUP,
14	5162331	7	SPRING, , -C5486
14	87547943	7	SPRING, , D5486-
15	5171872	1	CLUTCH, PLATE, , -C5486
15	87547822	1	PISTON, , D5486-
16	5172227	1	KIT, Clutch Plates
17	11062976	1	RING, SNAP, Int, M100 x 3,
18	11070376	1	RING, SNAP, M70, Ext,
19	5162399	1	BEARING, BALL, 70 x 100 x 16
20	5169098	1	WASHER,
21	5171870	1	HUB,

D5490 After Date 02 August 2006 D5486 After Date 22 June 2006

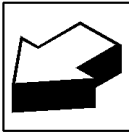
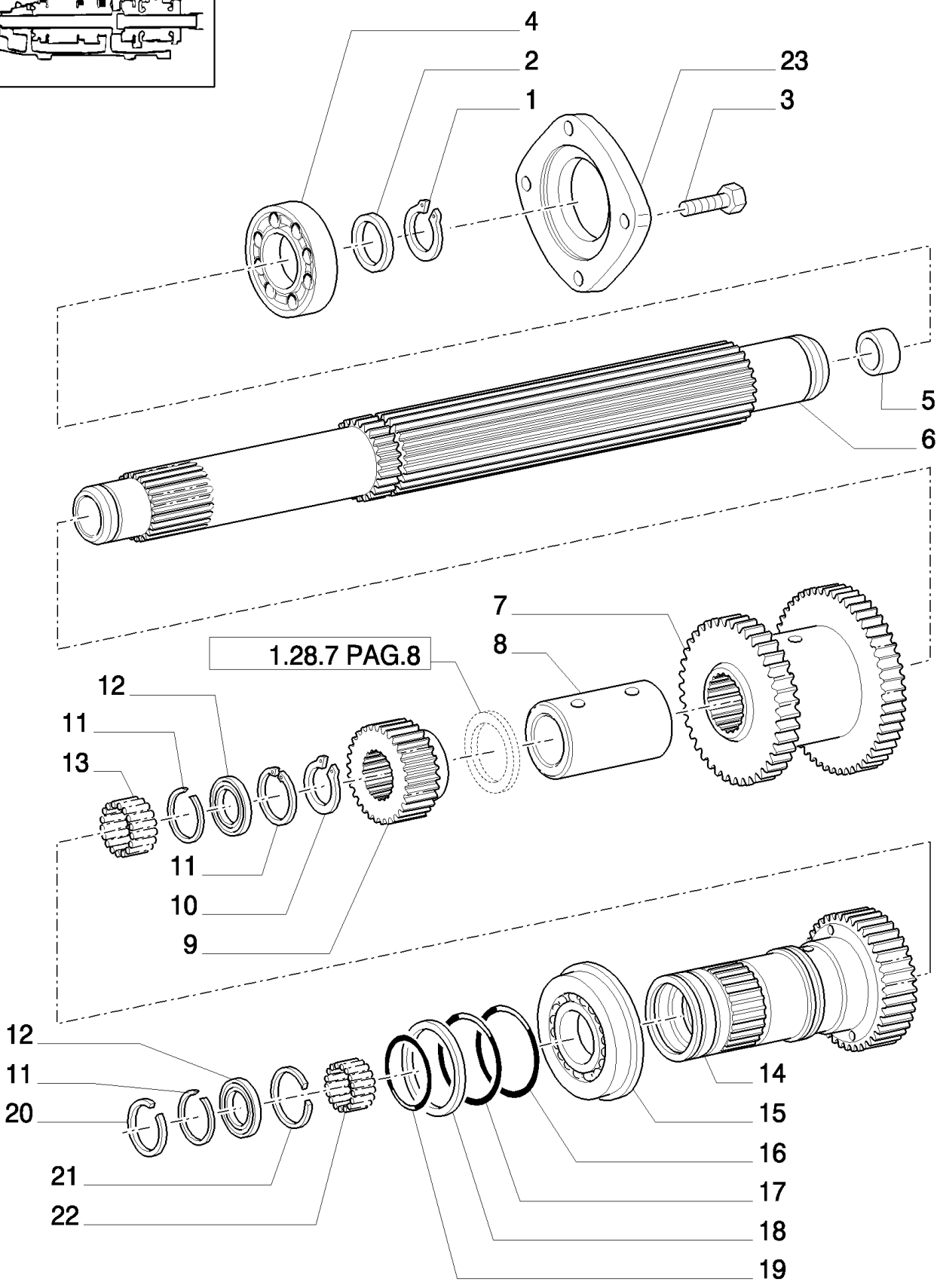
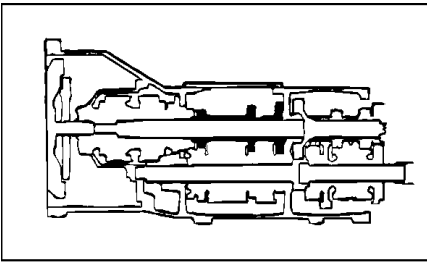


MXM155 CASE IH TRACTOR (6/02- )

1.28.7/03(03) (VAR.281) FULL POWER-SHIFT TRANS. 18X6 (40 KPH-4WD) AND 17X6 (30 KPH) - CLUTCH ENGAGEMENT

сылка	Номер детали	Кол-во	Описание
1	5171871	1	HUB,
2	11078676	1	RING, SNAP, M175, Int,
3	5122844	1	RING, LOCKING,
4	5122821	1	DISC,
5	5172227	1	KIT, Clutch Plates
6	5166536	7	SPRING,
7	5162263	1	RETAINER CUP,
8	5162253	2	RING, LOCKING,
9	5162331	7	SPRING, , -C5486
9	87547943	7	SPRING, , D5486-
10	5171873	1	CLUTCH, PLATE,
11	5172235	1	GASKET,
12	5160154	1	GASKET,
13	5179509	1	HOUSING,
14	5131232	3	SEALRING,

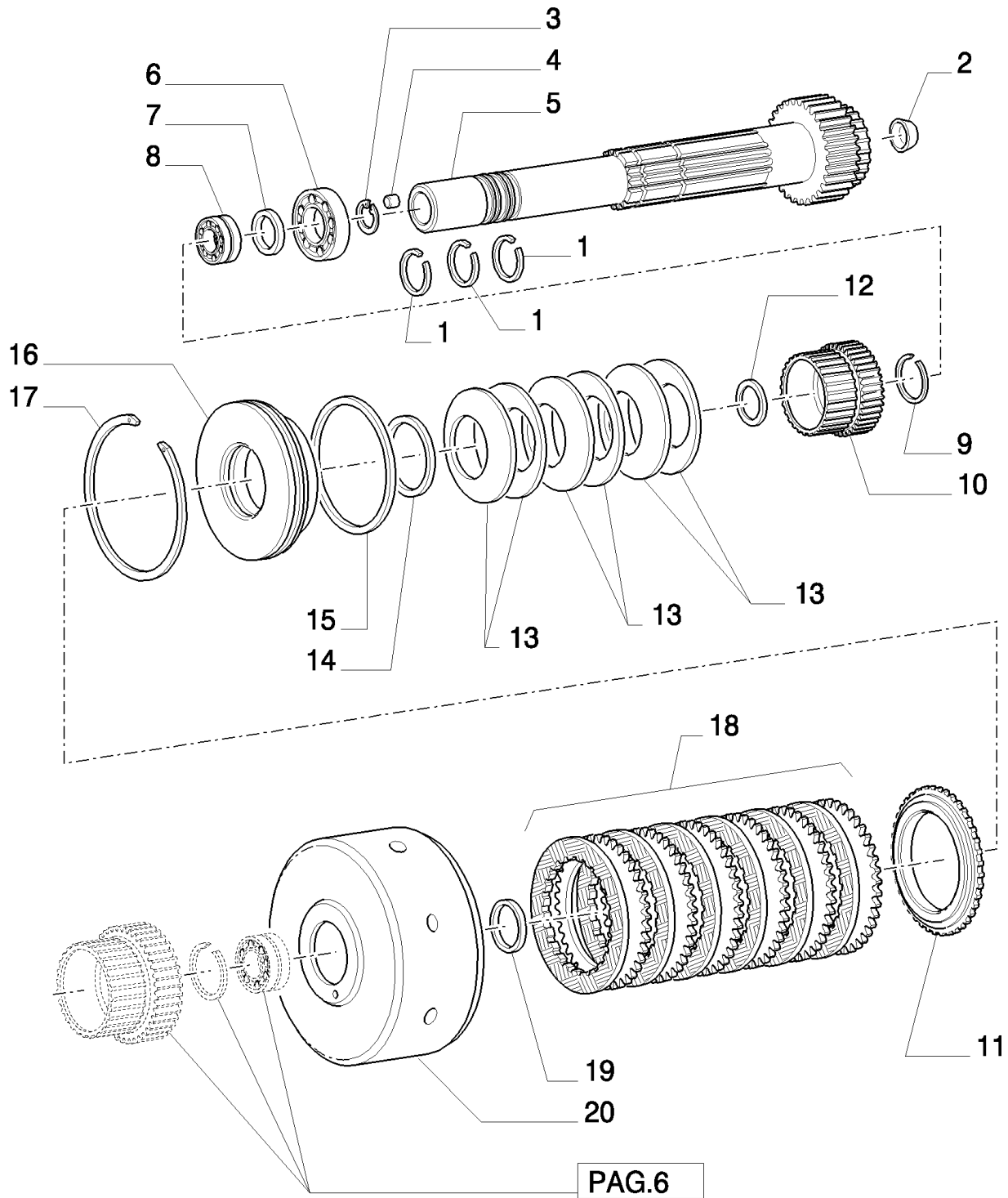
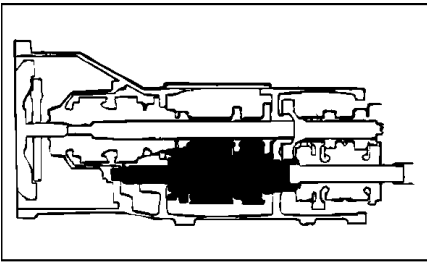
D5486 After Date 22 June 2006



## MXM155 CASE IH TRACTOR (6/02- )

## 1.28.7/03(04) (VAR.281) FULL POWER-SHIFT TRANS. 18X6 (40 KPH-4WD) AND 17X6 (30 KPH) - CLUTCH ENGAGEMENT

сылка	Номер детали	Кол-во	Описание
1	5138419	1	RING, SNAP, D = 50
2	5144962	1	WASHER, THRUST,
3	16043824	4	BOLT, Hex, M8 x 30, 8.8, Full Thd,
4	5125453	1	BEARING, BALL,
5	5107725	1	BUSHING,
6	5171899	1	SHAFT,
7	47126213	1	GEAR, III-IV-V-VI Speed
8	5183725	1	SPACER,
9	5162233	1	GEAR, DRIVEN, I Speed
10	5134792	1	RING, LOCKING,
11	5142178	6	RING, LOCKING,
12	5162255	2	GASKET, 50 x 58 x 4
13	5162256	1	BEARING, NEEDLE, 50 x 58 x 25
14	5171876	1	GEAR, II Speed
15	28996390	1	BEARING,
16	14460680	1	O-RING, -148, 90 Duro, 2.737" ID x .103" Thk,
17	14464980	1	O-RING, -231, 70 Duro, 2.609" ID x .139" Thk,
18	5162361	1	RING,
19	14455480	1	O-RING, -037, 70 Duro, 2.489" ID x .070" Thk,
20	5195945	1	RING, LOCKING,
21	5149933	1	RING, LOCKING,
22	5162254	1	BEARING, NEEDLE, 50 x 55 x 20
23	5171949	1	COVER,



PAG.6



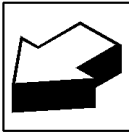
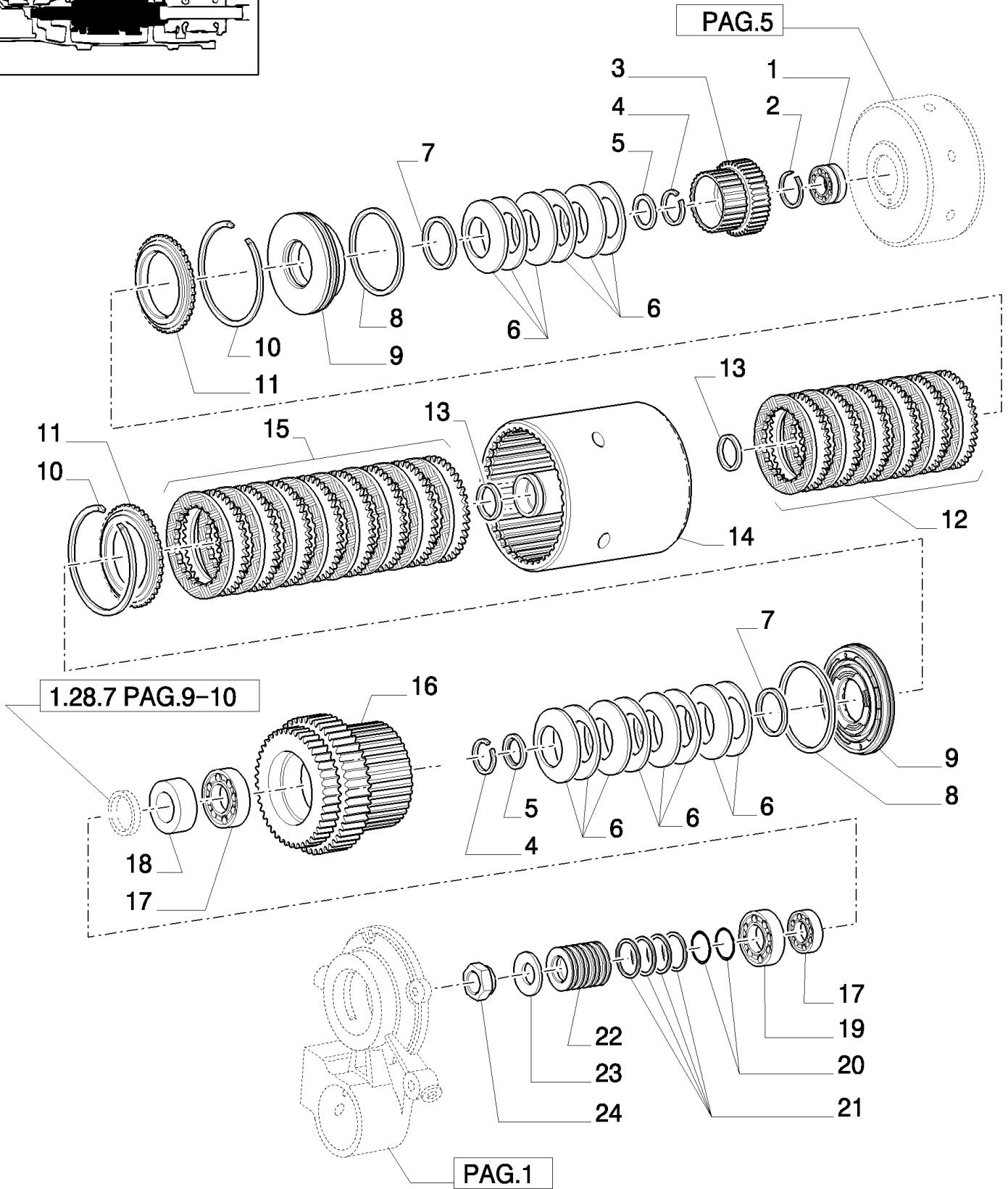
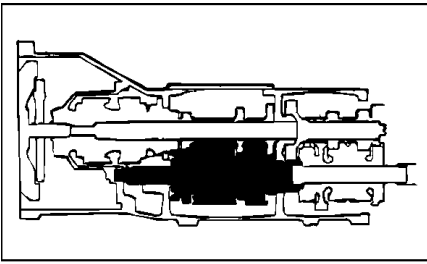
MXM155 CASE IH TRACTOR (6/02- )

1.28.7/03(05) (VAR.281) FULL POWER-SHIFT TRANS. 18X6 (40 KPH-4WD) AND 17X6 (30 KPH) - CLUTCH ENGAGEMENT

сылка	Номер детали	Кол-во	Описание
1	5175981	3	RING, LOCKING,
2	5179204	1	PLUG,
3	11059076	1	RING, SNAP, M32, Int,
4	5162260	3	PLUG,
5	5179214	1	SHAFT,
6	5138418	1	BEARING, ROLLER, TAPERED, 50 x 110 x 29.2
7	5162261	1	SPACER,
8	5162622	1	BEARING, BALL, 50 x 80 x 32
9	5162623	1	RING,
10	47126212	1	GEAR, V-VI Speed
11	5167824	1	DISC,
12	5164928	1	RING,
13	5164927	6	SPRING, , -C5486
13	87547947	6	SPRING, , D5486-
14	5164926	1	RING, , -C5486
14	87547826	1	RING, , D5486-
15	5138955	1	O-RING,
16	5187977	1	PISTON, , -C5486
16	87547824	1	PISTON, , D5486-
17	5162251	1	RING, LOCKING,
18	5167875	1	KIT, Clutch Plates
19	5162252	1	GASKET,
20	5167836	1	HOUSING, CLUTCH,

D5486 After Date 22 June 2006

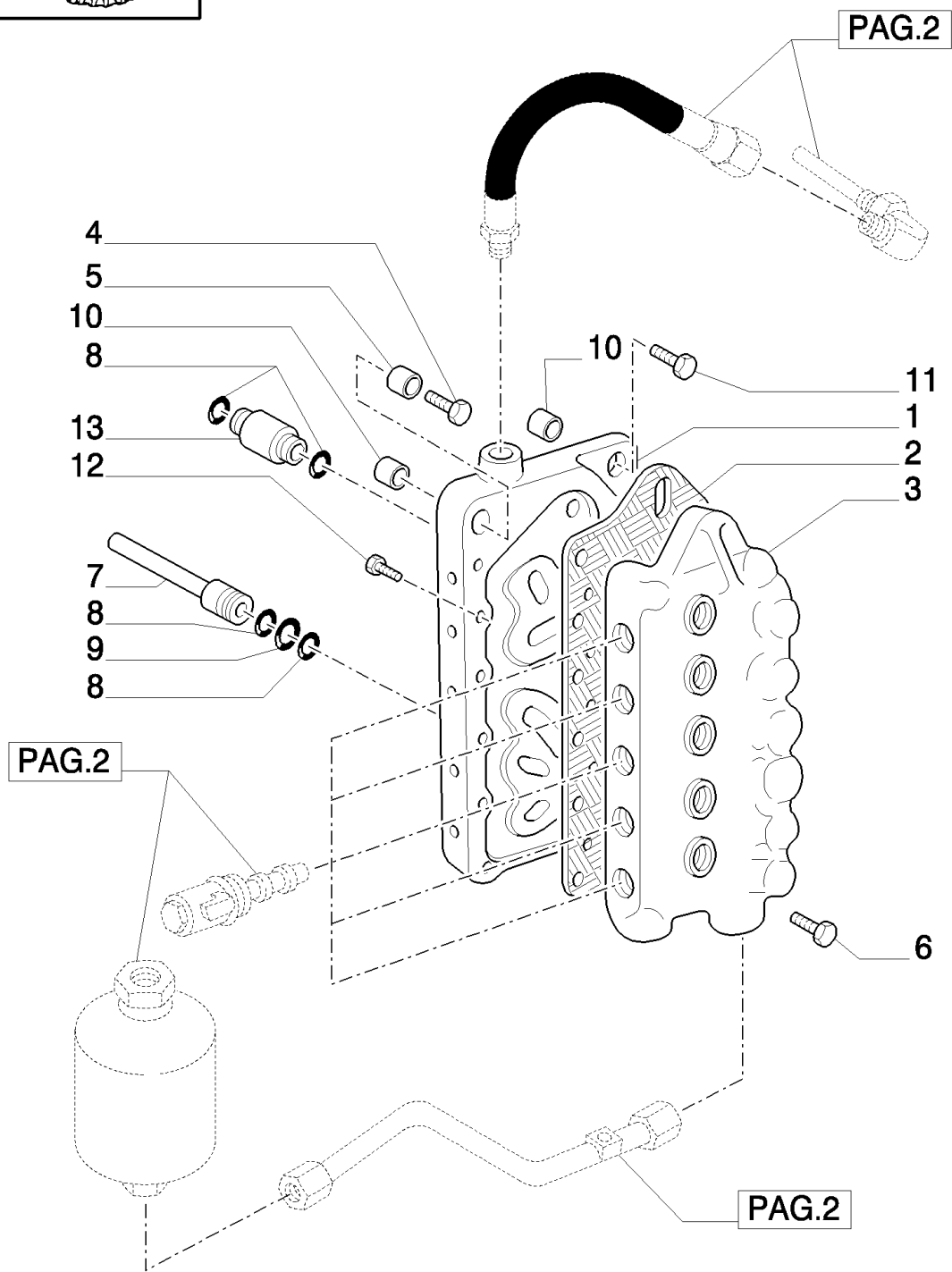
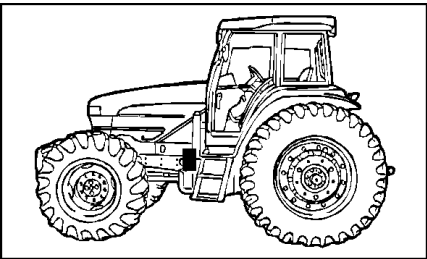




## MXM155 CASE IH TRACTOR (6/02- )

## 1.28.7/03(06) (VAR.281) FULL POWER-SHIFT TRANS. 18X6 (40 KPH-4WD) AND 17X6 (30 KPH) - CLUTCH ENGAGEMENT

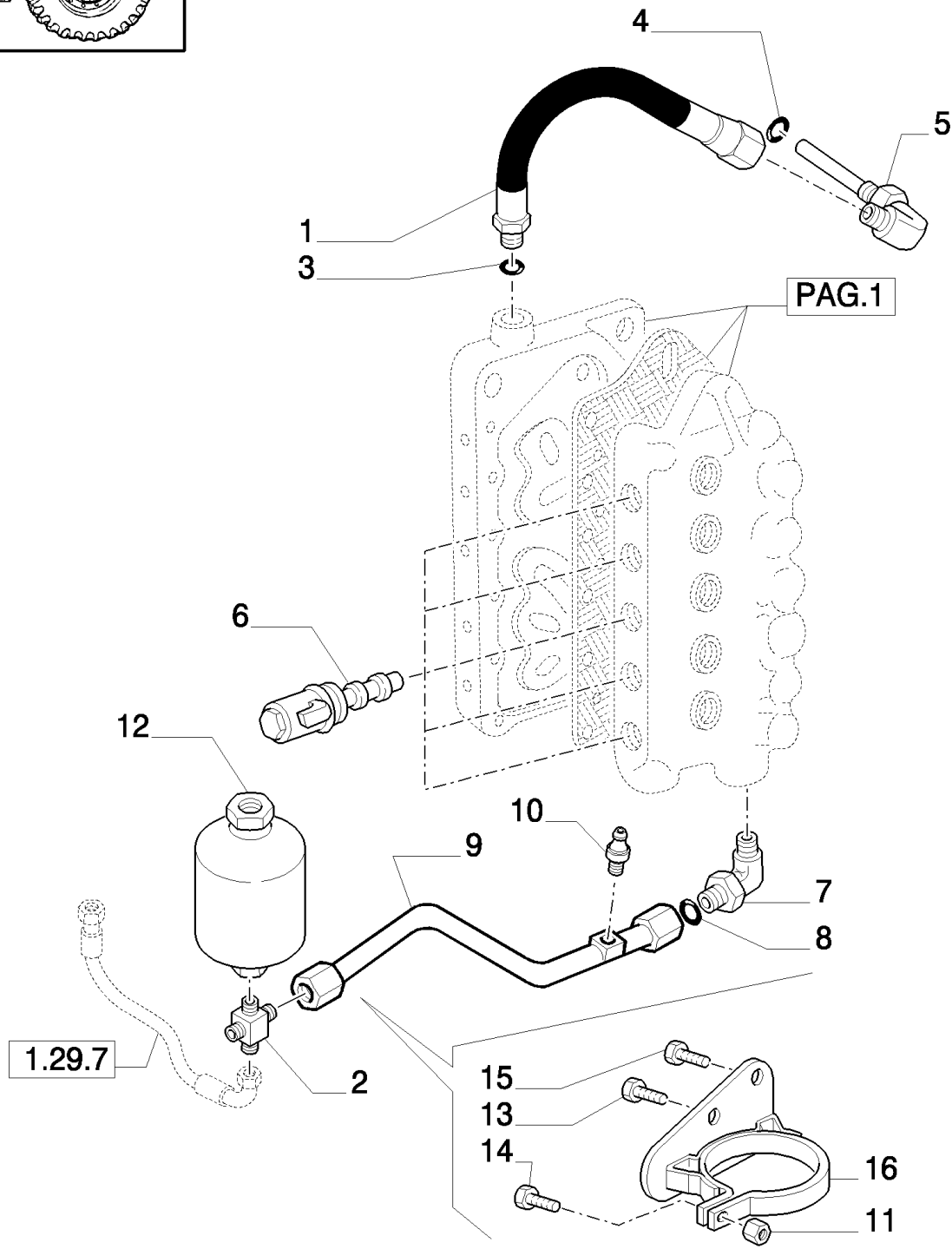
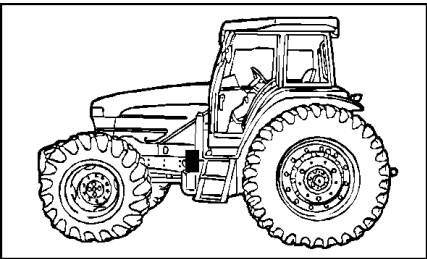
сылка	Номер детали	Кол-во	Описание
1	5162622	1	BEARING, BALL, 50 x 80 x 32
2	5162623	1	RING,
3	5167830	1	GEAR, DRIVEN, III-IV Speed
4	5164929	2	RING,
5	5164928	2	RING,
6	5164927	14	SPRING, , -C5486
6	87547947	14	SPRING, , D5486-
7	5164926	2	RING, , -C5486
7	87547826	2	RING, , D5486-
8	5138955	2	O-RING,
9	5187977	2	PISTON, , -C5486
9	87547824	2	PISTON, , D5486-
10	5162251	2	RING, LOCKING,
11	5167824	2	DISC,
12	5167875	1	KIT, Clutch Plates
13	5162252	2	GASKET,
14	5167835	1	HOUSING, CLUTCH,
15	5165058	1	KIT, Clutch Plates
16	5167826	1	GEAR, DRIVEN, I-II Speed
17	24903820	2	BEARING ASSY, 45 x 75 x 20
18	5167099	1	SPACER,
19	5150900	1	BEARING, ROLLER, 45 x 85 x 19
20	14454781	2	O-RING, -030, CI 7, 1.614" ID x .070" Thk,
21	83911795	4	SEAL,
22	5187957	1	SLEEVE,
23	5166037	1	SPRING,
24	5147930	1	NUT, RING,



## MXM155 CASE IH TRACTOR (6/02- )

## 1.29.6(01) HYDRAULIC GEARBOX CONTROL

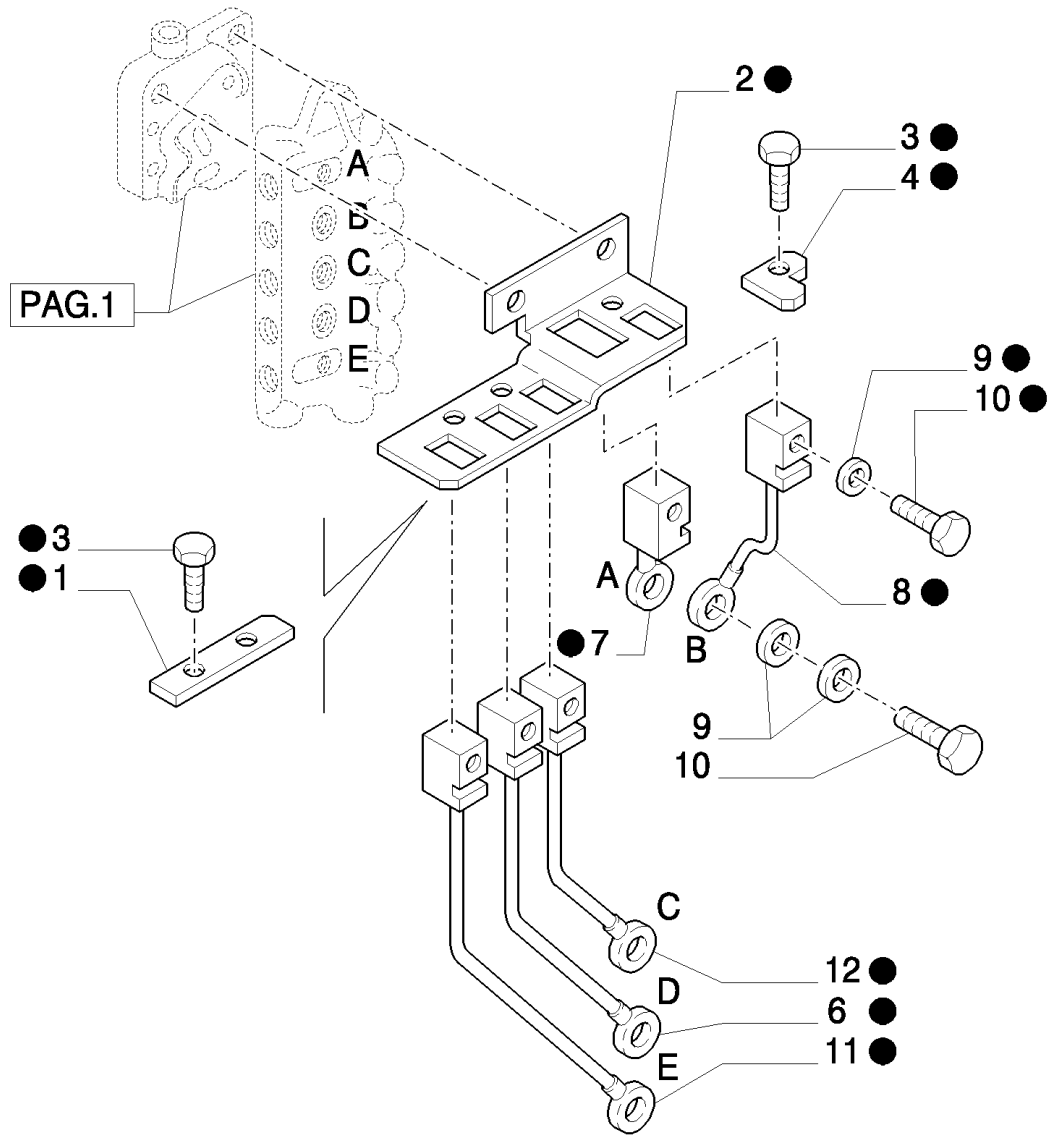
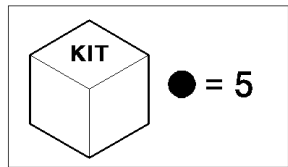
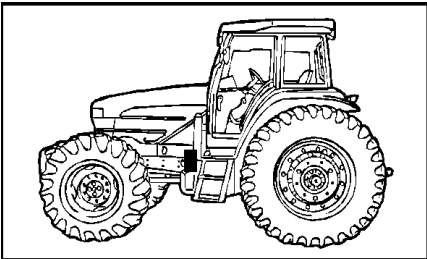
сылка	Номер детали	Кол-во	Описание
1	5173780	1	SUPPORT,
2	5165241	1	GASKET,
3	5173742	1	BODY, VALVE, , -C5439
3	87520332	1	BODY, VALVE, , D5439-
4	15971624	1	BOLT, Hex, M10 x 1.25 x 90, 8.8,
5	5173615	2	SPACER,
6	11306924	1	BOLT, Hex, M10 x 1.25 x 30, 8.8, Full Thd,
7	5162184	4	CONNECTOR, HYD.,
8	14453181	10	O-RING, -014, CI 7, .489" ID x .070" Thk,
9	13397776	4	RING, SNAP, M16, Int,
10	5173616	1	SPACER,
11	15888824	1	BOLT, Hex, M10 x 1.25 x 70, 8.8,
12	10902624	14	BOLT, Hex, M6 x 25, 8.8, Full Thd,
13	5167065	1	CONNECTOR, HYD.,



## MXM155 CASE IH TRACTOR (6/02- )

## 1.29.6(02) HYDRAULIC GEARBOX CONTROL

сылка	Номер детали	Кол-во	Описание
1	5181928	1	HOSE, FLEXIBLE,
2	5197917	1	CONNECTOR, HYD.,
3	14437885	1	O-RING, 13.3MM ID x 2.4 Thk,
4	14437985	4	O-RING, 15.3MM ID x 2.4 Thk,
5	5165336	1	ELBOW,
6	87537516	5	VALVE, SOLENOID, Solenoid, Proportional Pressure
7	5167217	1	CONNECTOR, HYD., 7/8"-14UNF, M22 x 1.5
8	14438085	1	O-RING, 19.3MM ID x 2.4 Thk,
9	5198449	1	TUBE, HYD,
10	82028133	1	SENDER UNIT, Trans. Temp.
11	12574511	1	NUT, LOCK, M10 x 1.25, Cl 8,
12	5173023	1	ACCUMULATOR,
13	14442520	1	SCREW, Hex Soc Flat Hd, M10 x 20, 8.8,
14	11234724	1	BOLT, Hex, M10 x 1.25 x 45, 8.8,
15	15970524	2	BOLT, Hex, M10 x 1.25 x 20, 8.8, Full Thd,
16	5172981	1	BRACKET,



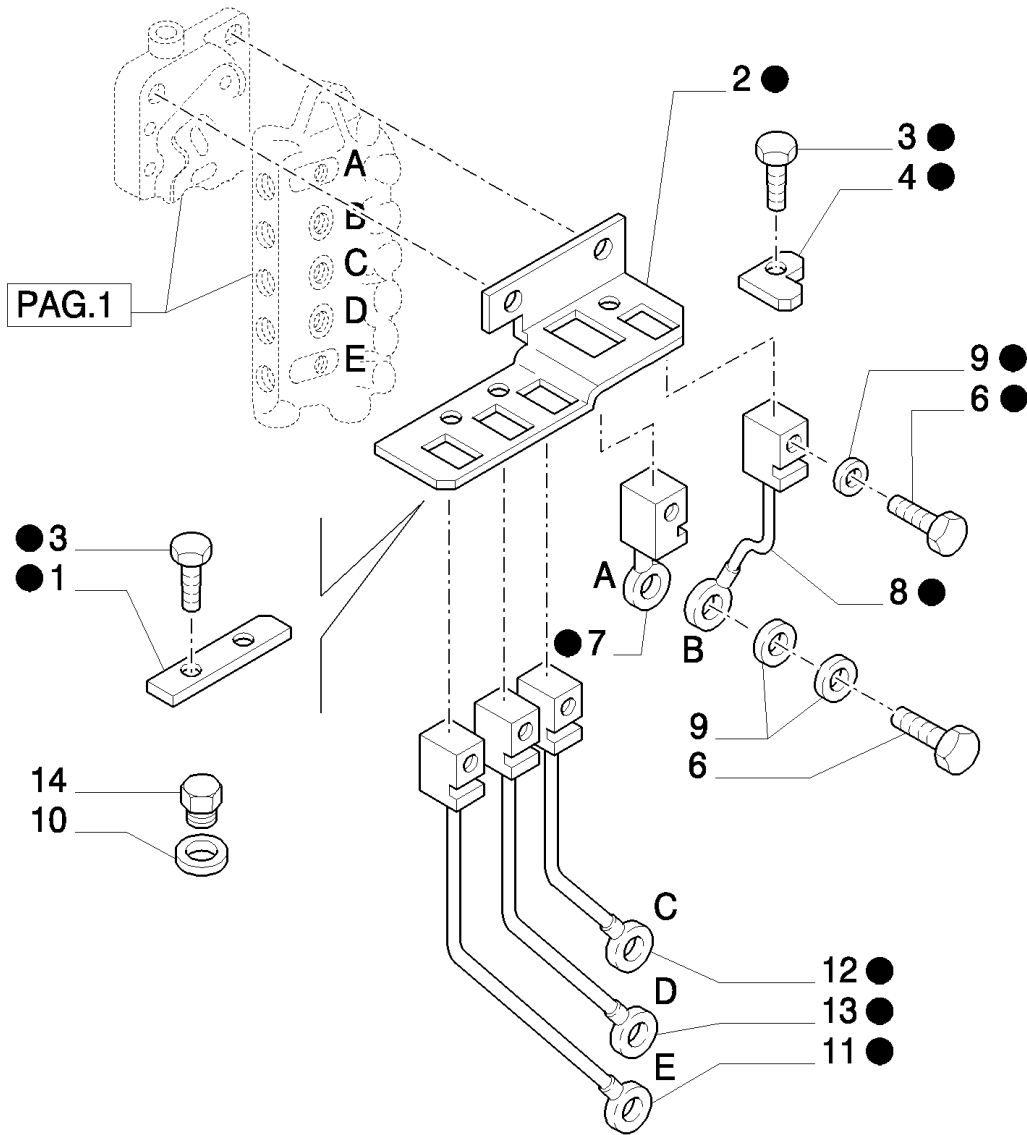
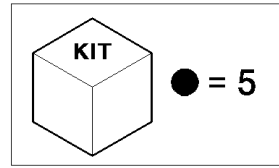
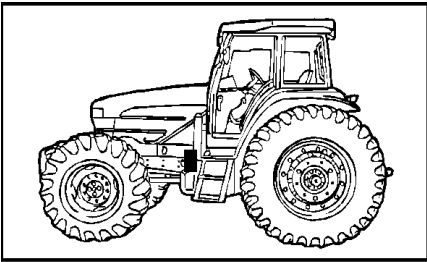
MXM155 CASE IH TRACTOR (6/02- )

1.29.6(03) HYDRAULIC GEARBOX CONTROL - C5439

сылка	Номер детали	Кол-во	Описание
1	5173479	1	PLATE,
2	5173614	1	BRACKET,
3	10979424	3	BOLT, Hex, M6 x 10, 8.8, Full Thd,
4	5173483	1	PLATE,
5	5173771	1	KIT, Support
6	5173596	1	TUBE, HYD,
7	5173569	1	TUBE, HYD,
8	5173592	1	TUBE, HYD,
9	4858606	10	GASKET,
10	11903817	5	BOLT, BANJO, 10 x 1.25 x 19
11	5173604	1	TUBE, HYD,
12	5173594	1	TUBE, HYD,

C5439 Before Date 24 July 2006



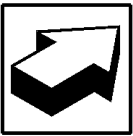
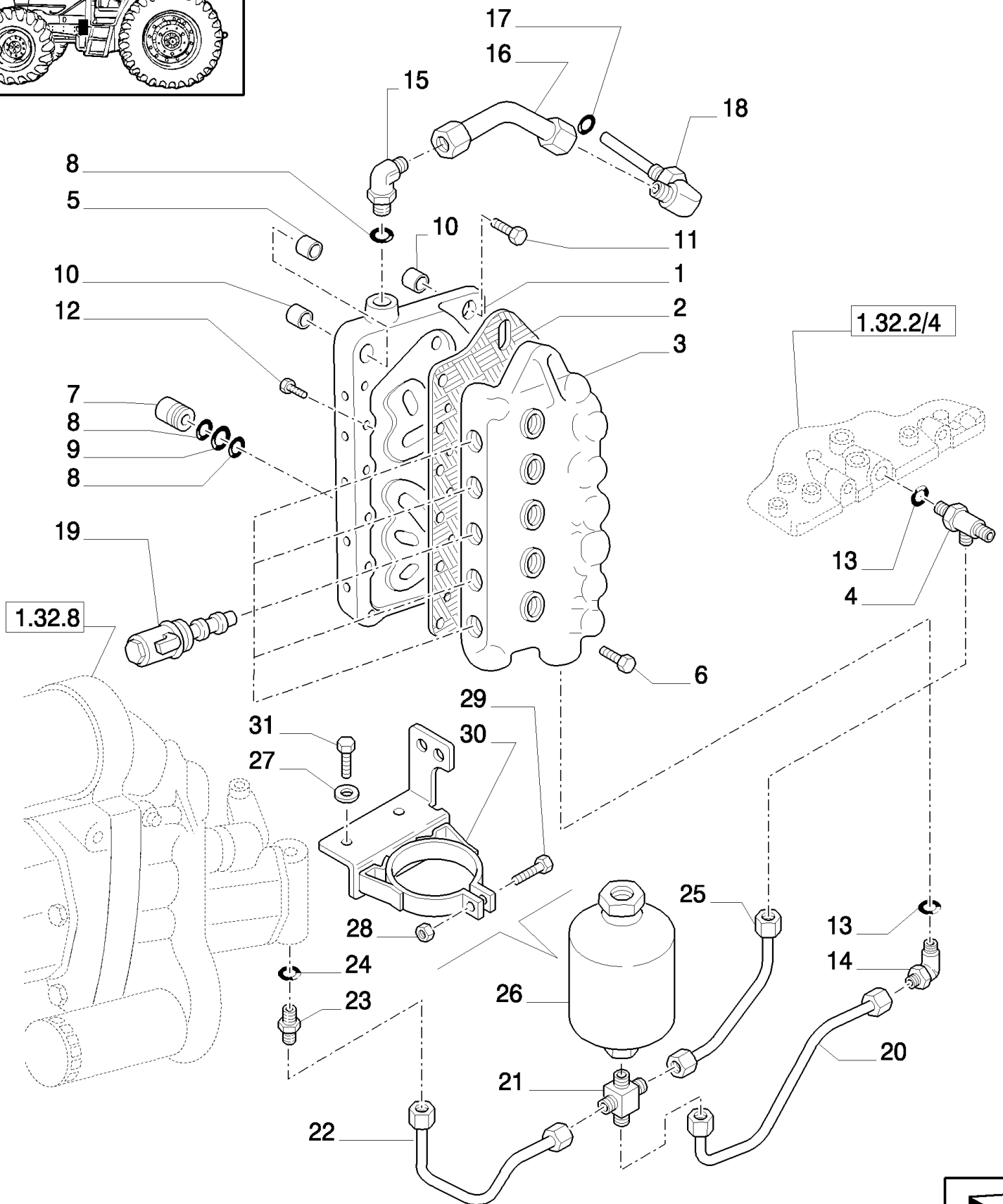
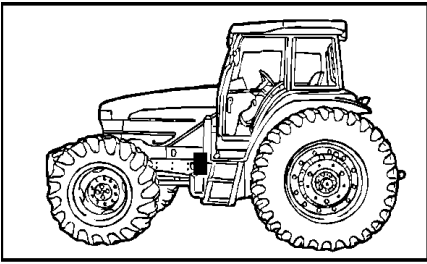


MXM155 CASE IH TRACTOR (6/02- )

1.29.6(03A) HYDRAULIC GEARBOX CONTROL - D5439

сылка	Номер детали	Кол-во	Описание
1	5173479	1	PLATE,
2	5173614	1	BRACKET,
3	10979424	3	BOLT, Hex, M6 x 10, 8.8, Full Thd,
4	5173483	1	PLATE,
5	87527788	1	KIT, Support
6	87544613	1	BOLT, BANJO,
7	87527241	1	TUBE, HYD,
8	87527513	1	TUBE, HYD,
9	87316678	10	WASHER, SEALING,
10	87316678	5	WASHER, SEALING,
11	87527781	1	TUBE, HYD,
12	87527753	1	TUBE, HYD,
13	87527772	1	TUBE, HYD,
14	87535222	5	PLUG,

D5439 After Date 24 July 2006

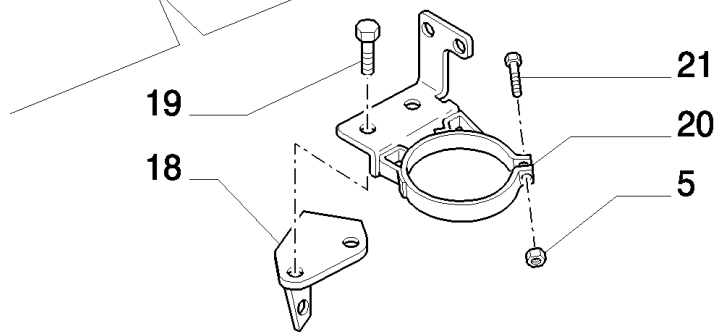
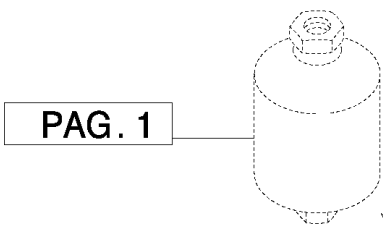
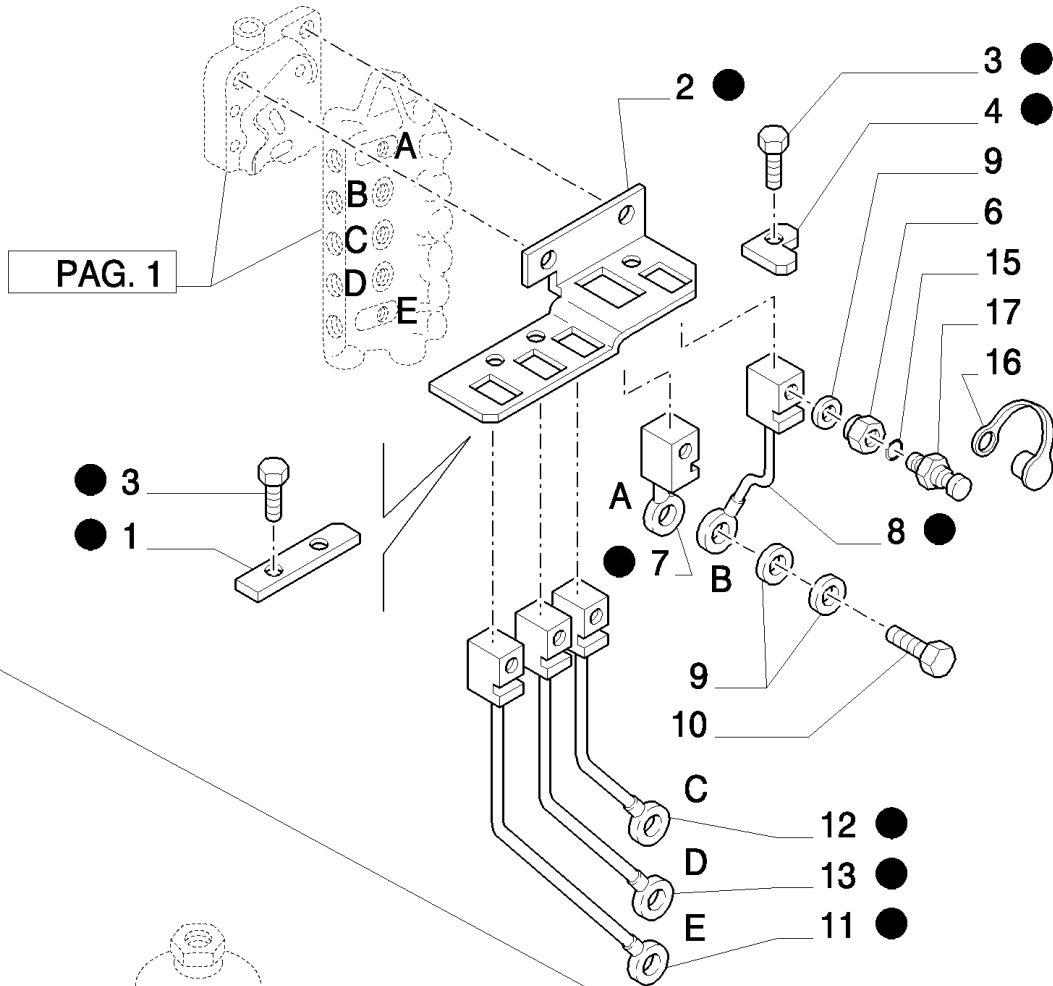
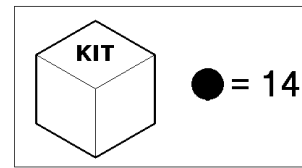
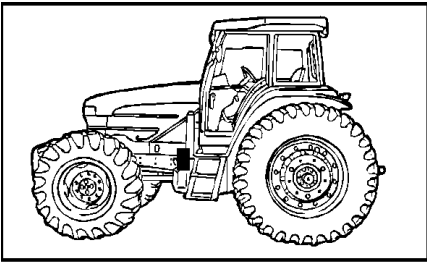


MXM155 CASE IH TRACTOR (6/02- )

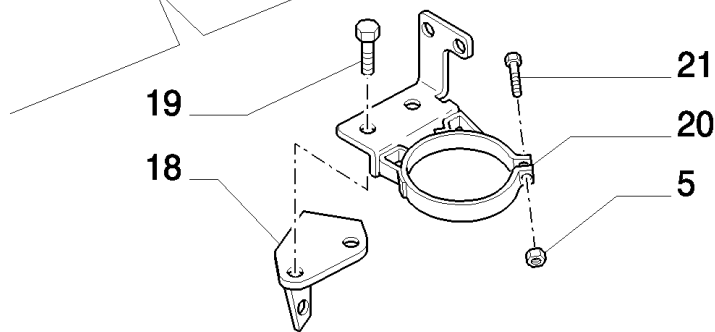
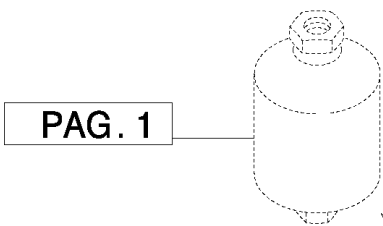
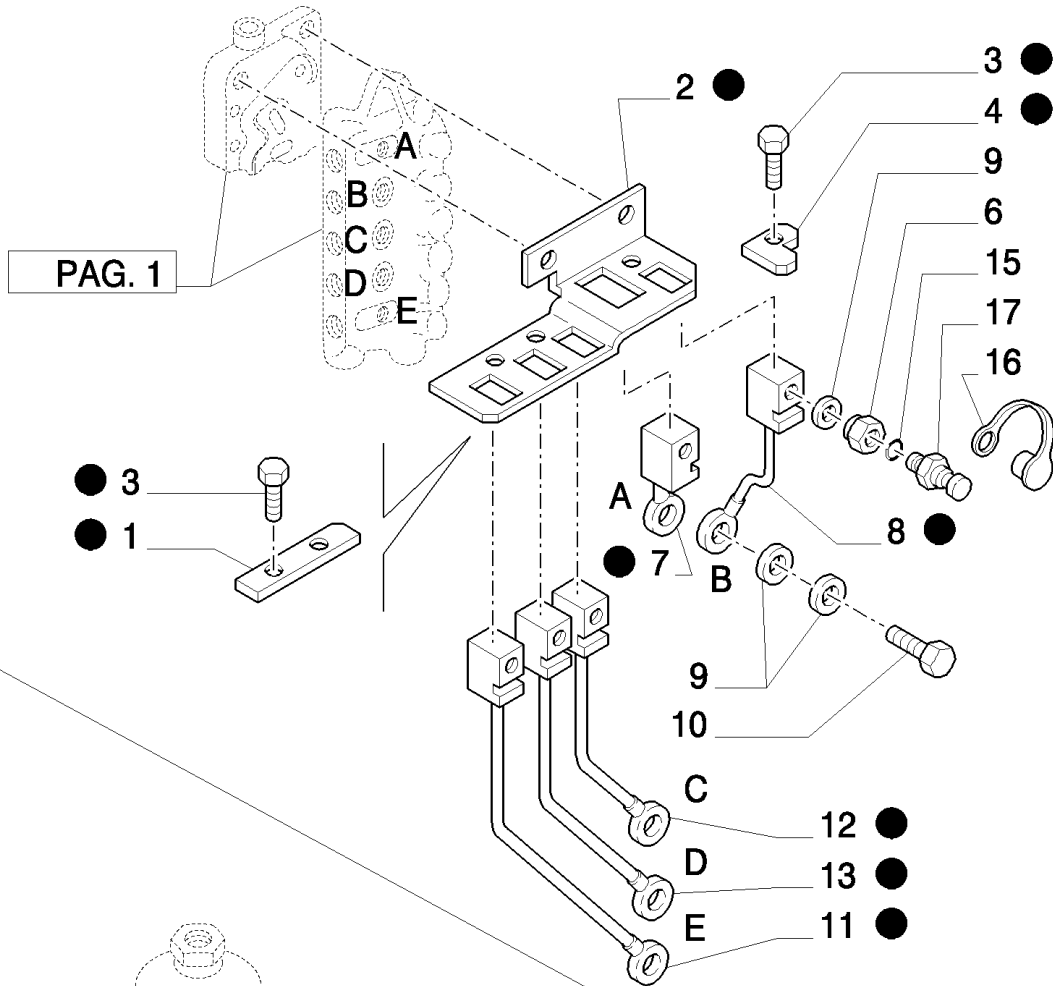
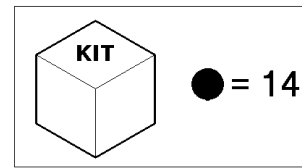
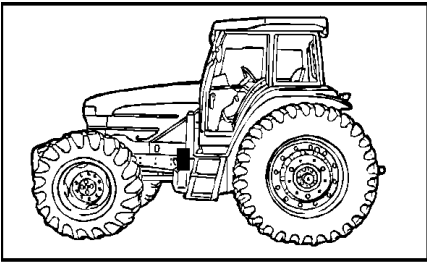
1.29.6/02(01) (VAR.281) FULL POWER-SHIFT TRANS. 18X6 (40 KPH-4WD) AND 17X6 (30 KPH) - HYDRAULIC GEARBOX CONTROL

сылка	Номер детали	Кол-во	Описание
1	5173780	1	SUPPORT,
2	5165241	1	GASKET,
3	5173742	1	BODY, VALVE, , -C5439
3	87520332	1	BODY, VALVE, , D5439-
4	5165926	1	CONNECTOR, HYD.,
5	5173615	2	SPACER,
6	11306924	1	BOLT, Hex, M10 x 1.25 x 30, 8.8, Full Thd,
7	5172178	5	CONNECTOR, HYD.,
8	14453181	9	O-RING, -014, CI 7, .489" ID x .070" Thk,
9	13397776	4	RING, SNAP, M16, Int,
10	5173616	1	SPACER,
11	15888824	1	BOLT, Hex, M10 x 1.25 x 70, 8.8,
12	10902624	14	BOLT, Hex, M6 x 25, 8.8, Full Thd,
13	14438085	2	O-RING, 19.3MM ID x 2.4 Thk,
14	5158364	1	ELBOW,
15	5154710	1	ELBOW,
16	5175349	1	TUBE, HYD,
17	14457081	1	O-RING, -112, CI 7, .487" ID x .103" Thk,
18	5179205	1	ELBOW,
19	87537516	5	VALVE, SOLENOID, Solenoid, Proportional Pressure
20	5175358	1	TUBE, HYD,
21	5175346	1	CONNECTOR, HYD.,
22	5185527	1	TUBE, HYD,
23	5158805	1	CONNECTOR, HYD.,
24	14437985	1	O-RING, 15.3MM ID x 2.4 Thk,
25	5175356	1	TUBE, HYD,
26	5173023	1	ACCUMULATOR,
27	14496621	2	WASHER, M10 x 21 x 2,
28	12574511	1	NUT, LOCK, M10 x 1.25, CI 8,
29	11107021	1	BOLT, Hex, M10 x 45, 8.8,
30	82019070	1	BRACKET,
31	15970724	2	BOLT, Hex, M10 x 1.25 x 25, 8.8, Full Thd,

D5439 After Date 24 July 2006



сылка	Номер детали	Кол-во	Описание
1	5173479	1	PLATE,
2	5173614	1	BRACKET,
3	10979424	3	BOLT, Hex, M6 x 10, 8.8, Full Thd,
4	5173483	1	PLATE,
5	12577211	1	NUT, LOCK, M10 x 1.5, Cl 8,
6	5185422	5	CONNECTOR, HYD.,
7	5173569	1	TUBE, HYD,
8	5173592	1	TUBE, HYD,
9	4858606	10	GASKET,
10	11903817	5	BOLT, BANJO, 10 x 1.25 x 19
11	5173604	1	TUBE, HYD,
12	5173594	1	TUBE, HYD,
13	5173596	1	TUBE, HYD,
14	5173771	1	KIT,
15	14437785	5	O-RING, 11.3MM ID x 2.4 Thk,
16	5185424	5	PLUG,
17	5185423	5	COUPLING,
18	5185385	1	BRACKET,
19	15970724	2	BOLT, Hex, M10 x 1.25 x 25, 8.8, Full Thd,
20	82019070	1	BRACKET, (21.22)
21	11107021	1	BOLT, Hex, M10 x 45, 8.8,



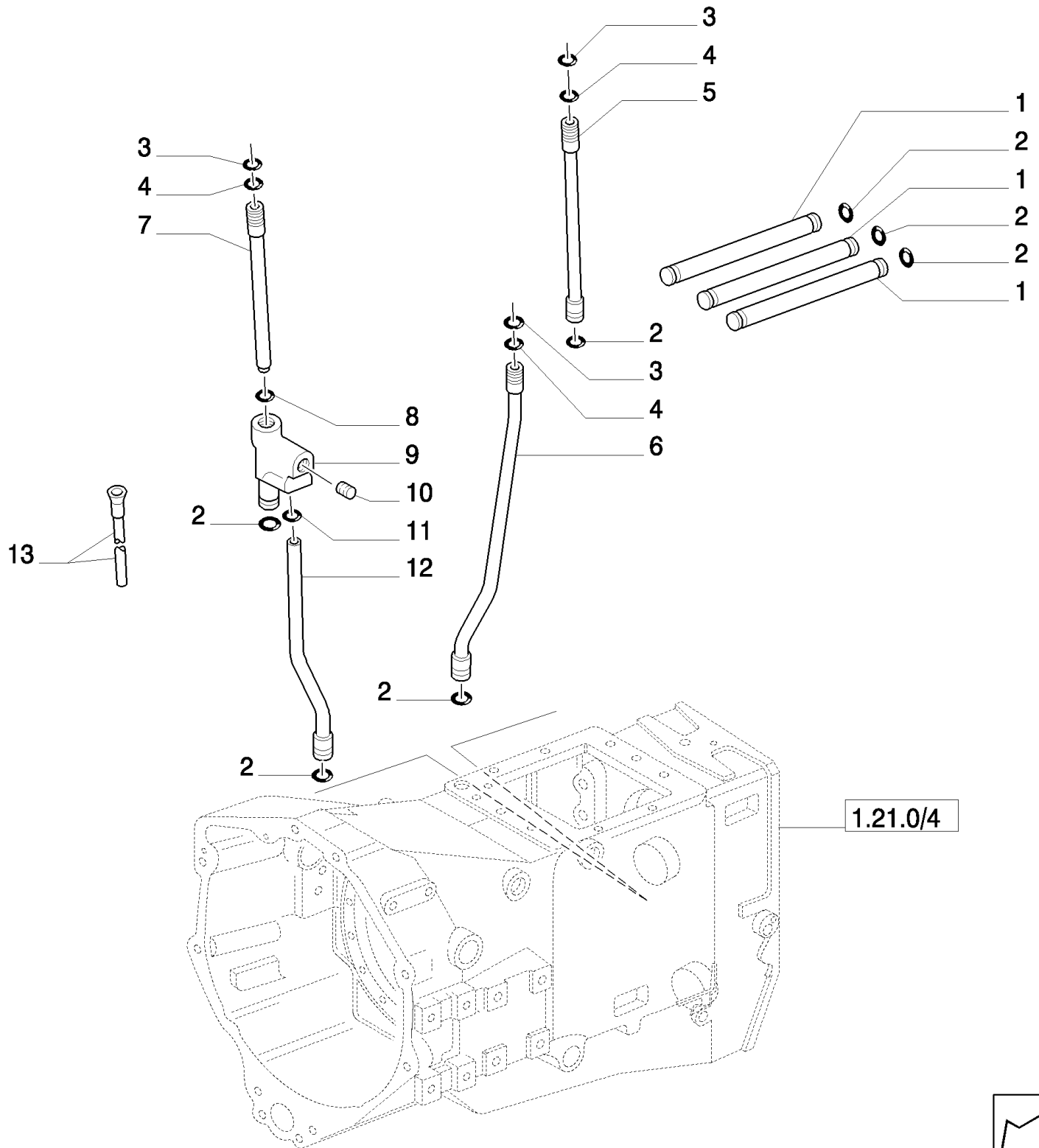
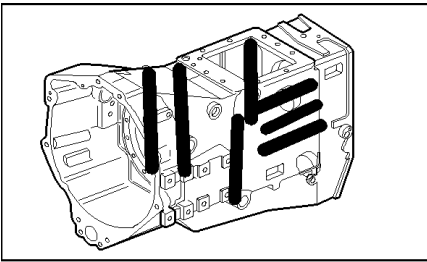
MXM155 CASE IH TRACTOR (6/02- )

1.29.6/02(02A) (VAR.281) FULL POWER-SHIFT TRANS. 18X6 (40 KPH-4WD) AND 17X6 (30 KPH) - HYDRAULIC GEARBOX CONTR

сылка	Номер детали	Кол-во	Описание
1	5173479	1	PLATE,
2	5173614	1	BRACKET,
3	10979424	3	BOLT, Hex, M6 x 10, 8.8, Full Thd,
4	5173483	1	PLATE,
5	12577211	1	NUT, LOCK, M10 x 1.5, Cl 8,
7	87527241	1	TUBE, HYD,
6	5185422	5	CONNECTOR, HYD.,
8	87527513	1	TUBE, HYD,
9	87316678	10	WASHER, SEALING,
10	87544613	5	BOLT, BANJO, 10 x 1.25 x 19
11	87527781	1	TUBE, HYD,
12	87527753	1	TUBE, HYD,
13	87527772	1	TUBE, HYD,
14	87527788	1	KIT,
15	14437785	5	O-RING, 11.3MM ID x 2.4 Thk,
16	5185424	5	PLUG,
17	5185423	5	COUPLING,
18	5185385	1	BRACKET,
19	15970724	2	BOLT, Hex, M10 x 1.25 x 25, 8.8, Full Thd,
20	82019070	1	BRACKET, (21.22)
21	11107021	1	BOLT, Hex, M10 x 45, 8.8,

D5439 After Date 24 July 2006



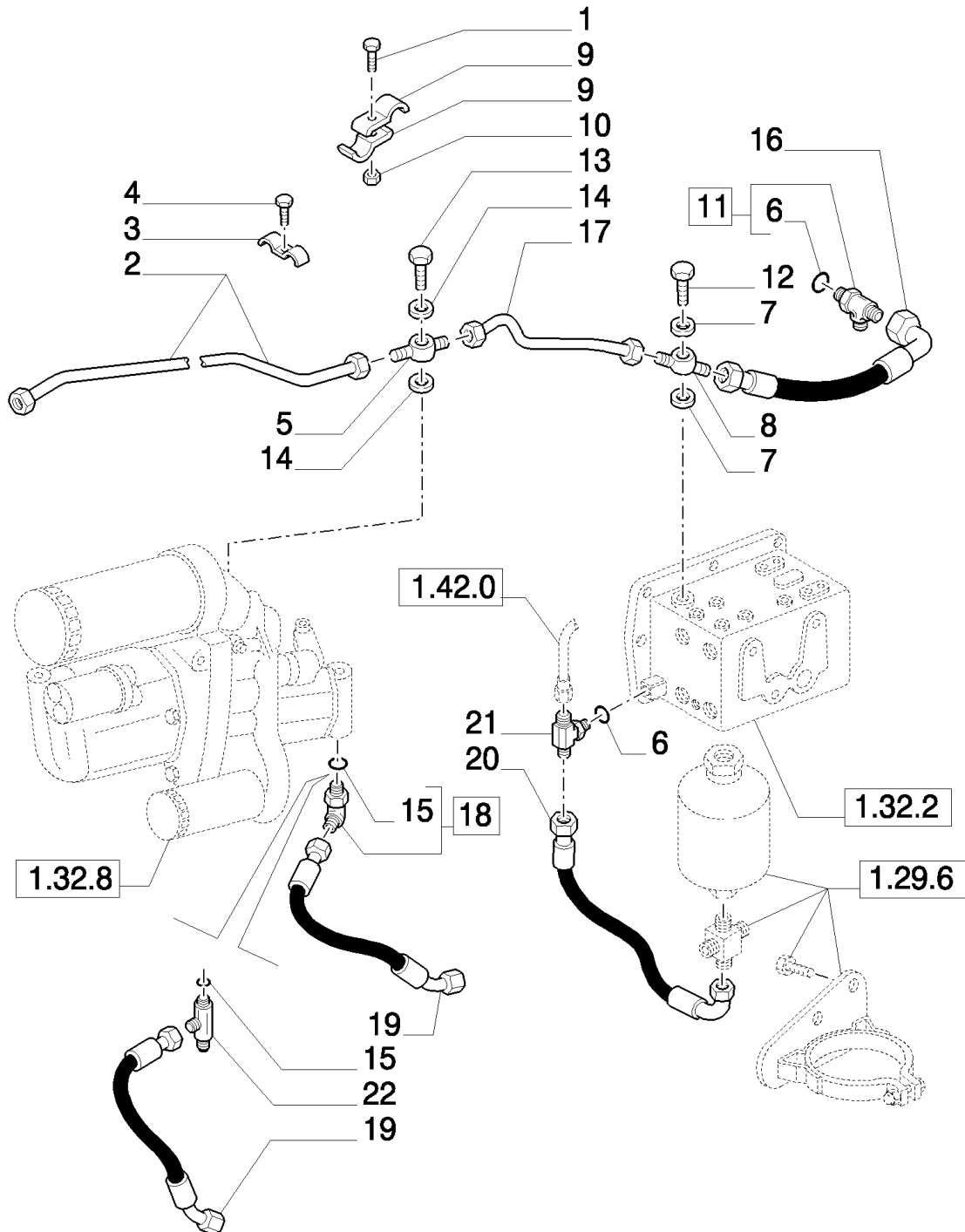
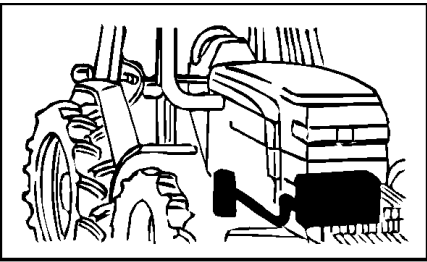


MXM155 CASE IH TRACTOR (6/02- )

1.29.6/02(03) (VAR.281) FULL POWER-SHIFT TRANS. 18X6 (40 KPH-4WD) AND 17X6 (30 KPH) - HYDRAULIC GEARBOX CONTROL

сылка	Номер детали	Кол-во	Описание
1	5176959	3	TUBE, HYD,
2	14453181	7	O-RING, -014, CI 7, .489" ID x .070" Thk,
3	14453280	6	O-RING, -015, 70 Duro, .551" ID x .070" Thk,
4	13397876	3	RING, LOCKING,
5	5179274	1	TUBE, HYD, Reverse gear
6	5179234	1	TUBE, HYD,
7	5179267	1	TUBE, HYD,
8	5146468	1	O-RING, -113, CI 9, .549" ID x .103" Thk,
9	5179254	1	CONNECTOR, HYD.,
10	10275501	1	PLUG, M12 x 1.25
11	14457081	1	O-RING, -112, CI 7, .487" ID x .103" Thk,
12	5172991	1	TUBE, HYD,
13	5185279	1	TUBE, HYD, Drain

1.29.7(01) GEARBOX LUBRICATION PIPING

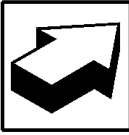
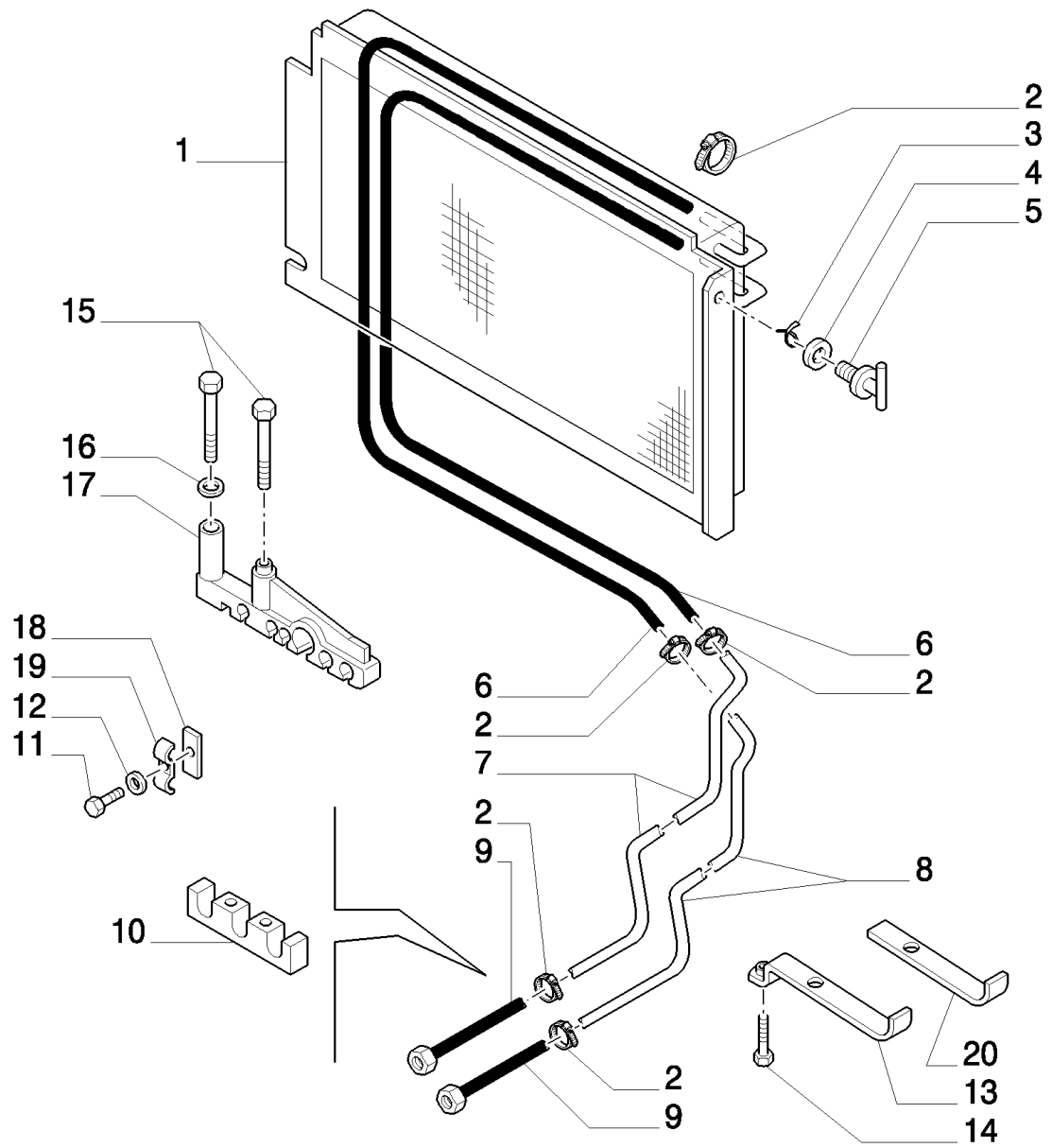
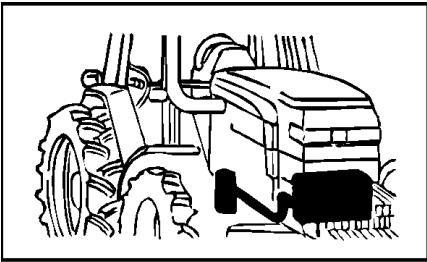


## MXM155 CASE IH TRACTOR (6/02- )

## 1.29.7(01) GEARBOX LUBRICATION PIPING

сылка	Номер детали	Кол-во	Описание
1	10902624	2	BOLT, Hex, M6 x 25, 8.8, Full Thd,
2	5184851	1	TUBE, HYD,
3	5155606	1	PLATE,
4	10902124	1	BOLT, Hex, M6 x 14, 8.8, Full Thd,
5	5156993	1	CONNECTOR, HYD.,
6	14438085	2	O-RING, 19.3MM ID x 2.4 Thk,
7	98429280	2	GASKET, 20 x 26 x 1.5
8	5167927	1	CONNECTOR, HYD.,
9	5156374	2	CLAMP,
10	15896221	2	NUT, M6, CI 10,
11	5165926	1	CONNECTOR, HYD.,
12	10182617	1	BOLT, BANJO, M20 x 1.5 x 36,
13	5155609	1	BOLT, BANJO, M16 x 1.5 x 35
14	5167639	2	WASHER, SEALING,
15	14437985	1	O-RING, 15.3MM ID x 2.4 Thk,
16	82020096	1	HOSE, FLEXIBLE,
17	5181926	1	TUBE, HYD,
18	5155452	1	ELBOW, MXM140, MXM155
19	5197947	1	TUBE, HYD,
20	5197945	1	HOSE, FLEXIBLE,
21	5155514	1	TEE,
22	5169665	1	TEE, MXM120, MXM130

1.29.7(02) GEARBOX LUBRICATION PIPING - C4855

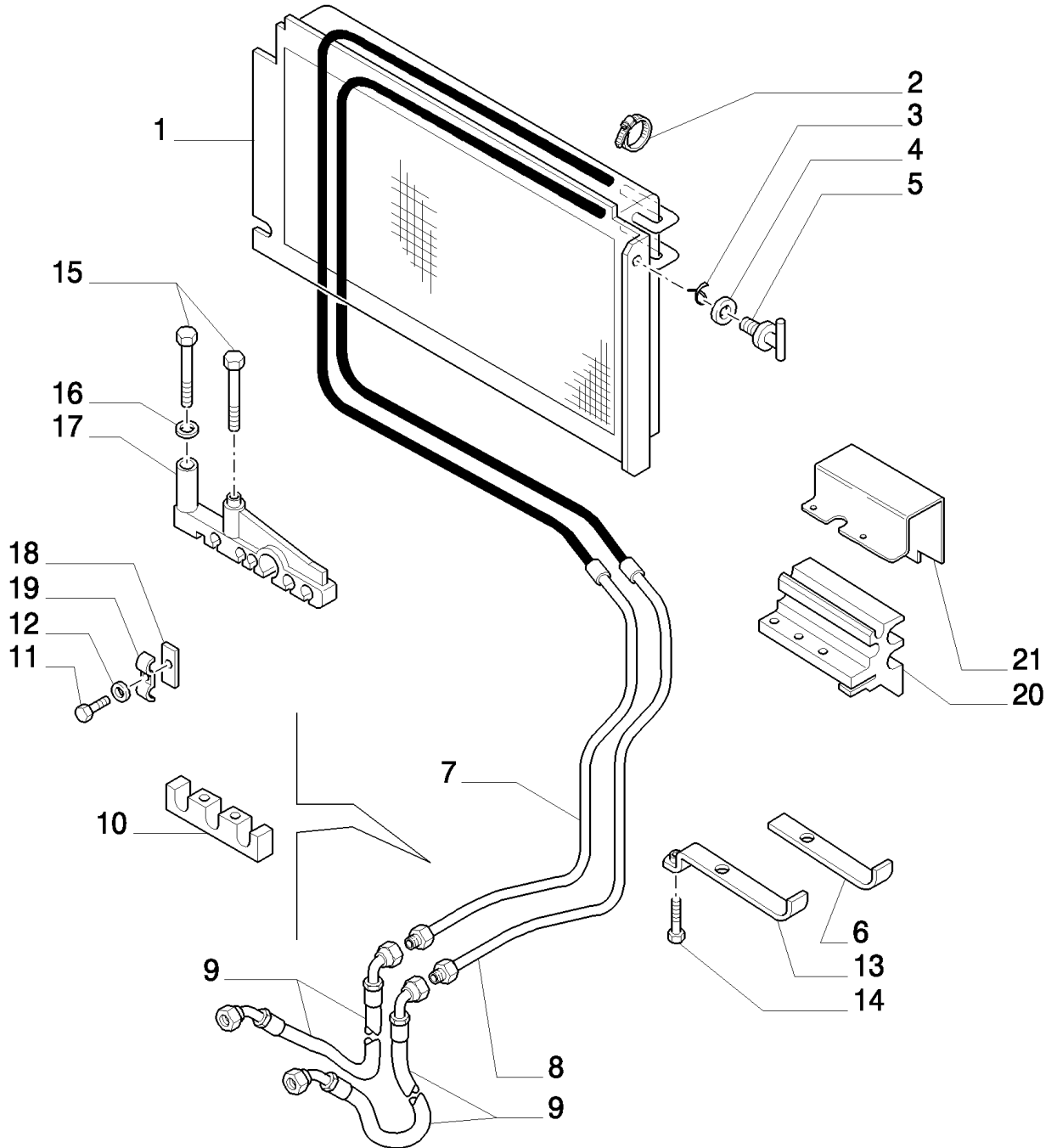
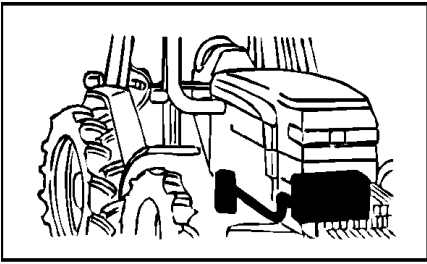


## MXM155 CASE IH TRACTOR (6/02- )

## 1.29.7(02) GEARBOX LUBRICATION PIPING - C4855

сылка	Номер детали	Кол-во	Описание
1	82000903	1	COOLER, OIL, MXM120, MXM130, MXM140, W/Mec. Trans. 20 x 16 (40 KPH)
1	82006303	1	COOLER, OIL,
2	82039343	6	CLAMP, HOSE,
3	82004582	1	CLIP,
4	82004583	1	PLATE,
5	82011199	1	FASTENER,
6	82029871	2	HOSE, FLEXIBLE,
7	82030228	1	TUBE, HYD,
8	82030229	1	TUBE, HYD,
9	82031381	1	HOSE, FLEXIBLE, 420 mm lg, W/Mec. Trans. 20 x 16 (40 KPH)
9	82031382	1	HOSE, FLEXIBLE, 950 mm lg, W/Mec. Trans. 20 x 16 (40 KPH)
9	82031383	1	HOSE, FLEXIBLE, , W/Full Power Shift 18 x 6 (40 KPH 4WD) and 17 x 6 (30 KPH)
9	82031380	2	HOSE, FLEXIBLE, MXM120, MXM130, MXM140, 660 mm lg, W/Mec. Trans. 20 x 16 (40 KPH)
9	82031546	2	TUBE, HYD, , W/Full Power Shift 18 x 6 (40 KPH 4WD) and 17 x 6 (30 KPH)
10	82016306	1	CLAMP,
11	10902224	1	BOLT, Hex, M6 x 16, 8.8, Full Thd,
12	12035670	1	WASHER, LOCK, M6
13	82030478	1	CLAMP,
14	10902824	2	BOLT, Hex, M6 x 30, 8.8,
15	16044621	4	BOLT, Hex, M8 x 70, 8.8,
16	12646704	2	WASHER, M8 x 20 x 2,
17	82015941	1	SUPPORT,
18	5138294	1	SUPPORT,
19	4999554	1	CLAMP,
20	82033098	1	CLAMP,

C4855 Serial N.217254



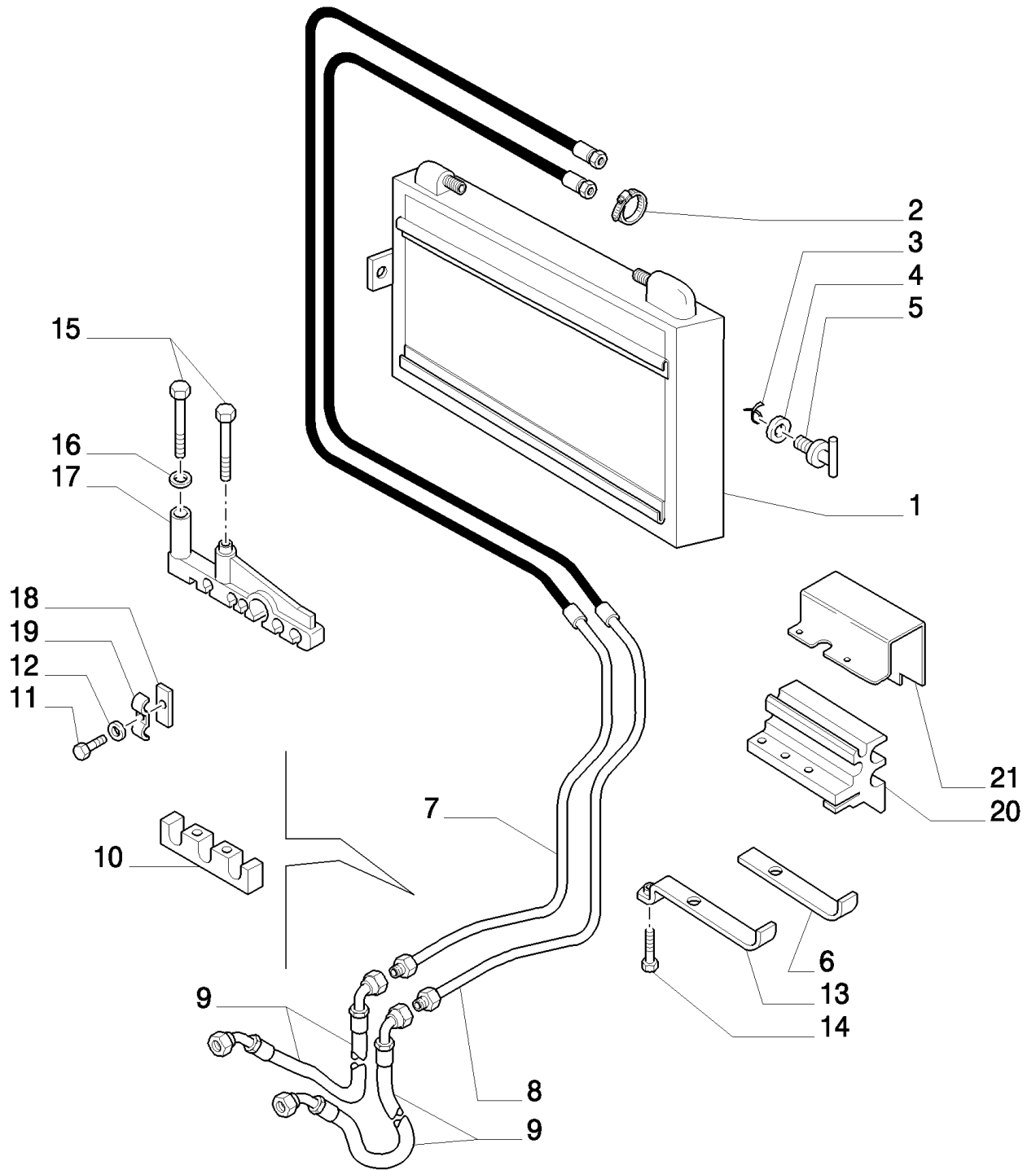
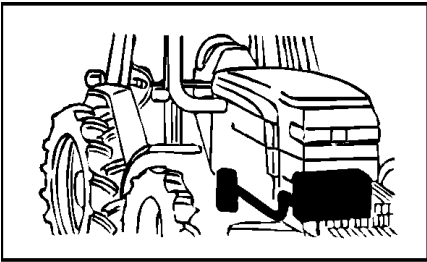
## MXM155 CASE IH TRACTOR (6/02- )

## 1.29.7(02A) GEARBOX LUBRICATION PIPING - D4855 - C4859

сылка	Номер детали	Кол-во	Описание
1	82030591	1	COOLER, OIL, MXM120, MXM130, MXM140, W/Mec. Trans. 20 x 16 (40 KPH)
2	82039343	2	CLAMP, HOSE,
3	82004582	1	CLIP,
4	82004583	1	PLATE,
5	82011199	1	FASTENER,
6	82031983	1	CLAMP,
7	82033264	1	HOSE, FLEXIBLE,
8	82033265	1	HOSE, FLEXIBLE,
9	82033993	1	HOSE, FLEXIBLE, 420 mm lg, W/Mec. Trans. 20 x 16 (40 KPH)
9	82034336	1	HOSE, FLEXIBLE, 950 mm lg, W/Mec. Trans. 20 x 16 (40 KPH)
9	82031380	2	HOSE, FLEXIBLE, MXM120, MXM130, MXM140, 660 mm lg, W/Mec. Trans. 20 x 16 (40 KPH)
9	82031383	2	HOSE, FLEXIBLE, , W/Full Power Shift 18 x 6 (40 KPH) and 17 x 6 (30 KPH)
10	82016306	1	CLAMP,
11	10902224	1	BOLT, Hex, M6 x 16, 8.8, Full Thd,
12	12035670	1	WASHER, LOCK, M6
13	82015119	1	CLAMP,
14	10902824	2	BOLT, Hex, M6 x 30, 8.8,
15	16044621	4	BOLT, Hex, M8 x 70, 8.8,
16	12646704	2	WASHER, M8 x 20 x 2,
17	82015941	1	SUPPORT,
18	5138294	1	SUPPORT,
19	4999554	1	CLAMP,
20	82033248	1	SUPPORT,
21	82034167	1	COVER,

D4855 Serial N.217255 C4859 Serial N.230234

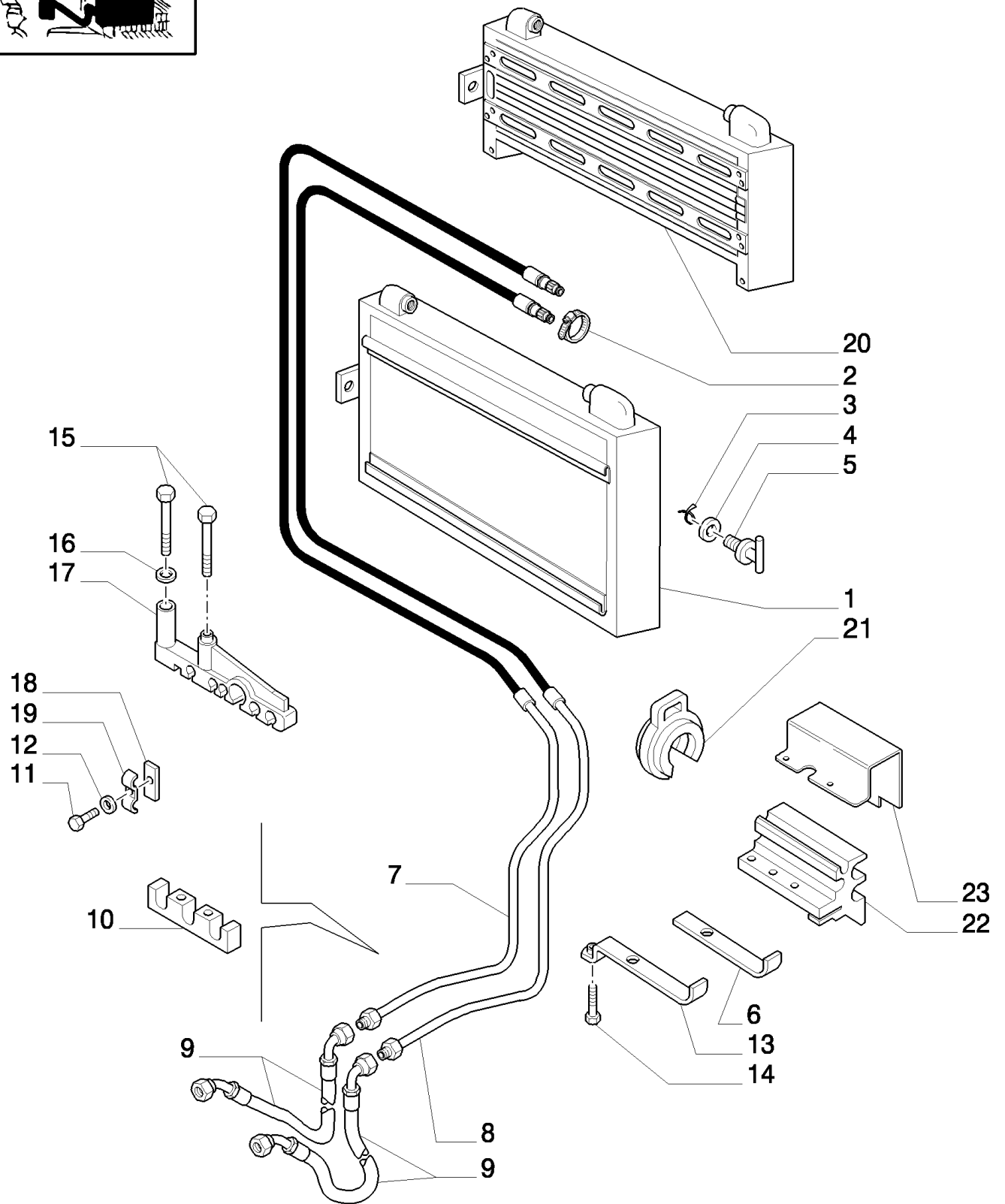
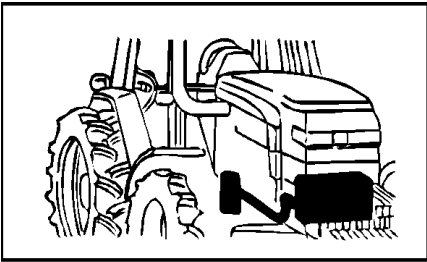




## MXM155 CASE IH TRACTOR (6/02- )

## 1.29.7(02B) GEARBOX LUBRICATION PIPING - D4859 - C5067

сылка	Номер детали	Кол-во	Описание
1	82035554	1	COOLER, OIL,
2	82039343	2	CLAMP, HOSE,
3	82004582	1	CLIP,
4	82004583	1	PLATE,
5	82011199	1	FASTENER,
6	82031983	1	CLAMP,
7	82035853	1	PIPE,
8	82035854	1	TUBE,
9	82031381	1	HOSE, FLEXIBLE, 420 mm lg, W/Mec. Trans. 20 x 16 (40 KPH)
9	82033993	1	HOSE, FLEXIBLE, 950 mm lg, W/Mec. Trans. 20 x 16 (40 KPH)
9	82034336	2	HOSE, FLEXIBLE, MXM120, MXM130, MXM140, 660 mm lg, W/Mec. Trans. 20 x 16 (40 KPH)
9	82031383	2	HOSE, FLEXIBLE, , W/Full Power Shift 18 x 6 (40 KPH) and 17 x 6 (30 KPH)
10	82016306	1	CLAMP,
11	10902224	1	BOLT, Hex, M6 x 16, 8.8, Full Thd,
12	12035670	1	WASHER, LOCK, M6
13	82015119	1	CLAMP,
14	10902824	2	BOLT, Hex, M6 x 30, 8.8,
15	16044621	4	BOLT, Hex, M8 x 70, 8.8,
16	12646704	2	WASHER, M8 x 20 x 2,
17	82015941	1	SUPPORT,
18	5138294	1	SUPPORT,
19	4999554	1	CLAMP,
20	82033248	1	SUPPORT,
21	82034167	1	COVER,



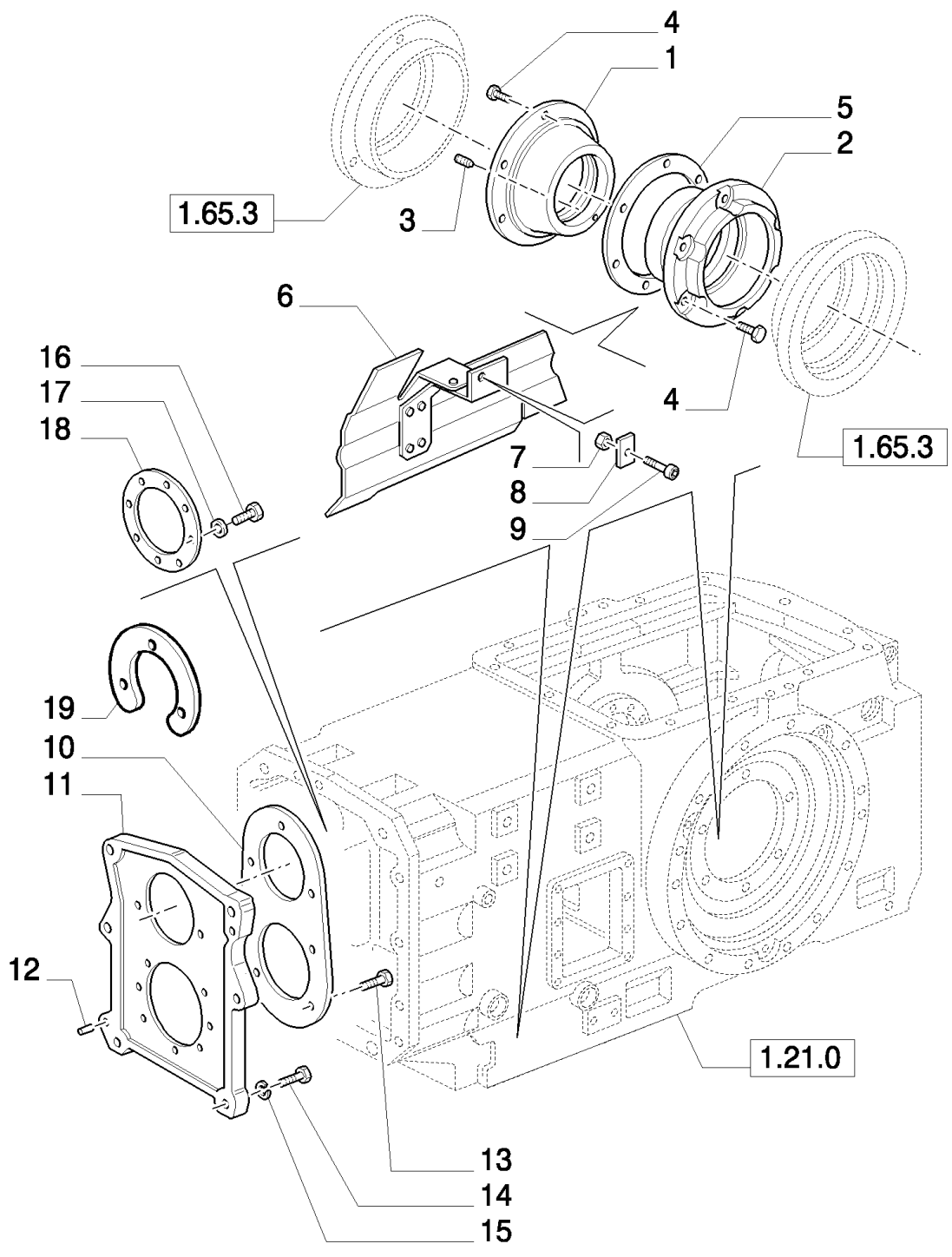
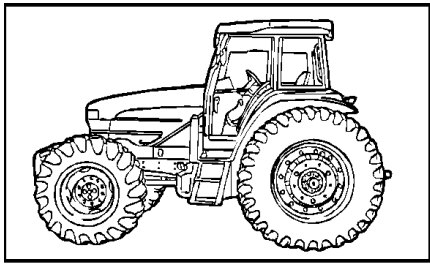
## MXM155 CASE IH TRACTOR (6/02- )

## 1.29.7(02C) GEARBOX LUBRICATION PIPING - D5067

сылка	Номер детали	Кол-во	Описание
1	87325456	1	COOLER, OIL, , W/Mec. Trans. 20 x 16 (40 KPH), BSN ACM256576
2	82039343	2	CLAMP, HOSE,
3	82004582	1	CLIP,
4	82004583	1	PLATE,
5	82011199	1	FASTENER,
6	82031983	1	CLAMP,
7	87303553	1	TUBE, HYD,
8	87303557	1	TUBE, HYD,
9	82033993	1	HOSE, FLEXIBLE, 420 mm lg, W/Mec. Trans. 20 x 16 (40 KPH)
9	82034336	1	HOSE, FLEXIBLE, 950 mm lg, W/Mec. Trans. 20 x 16 (40 KPH)
9	82031380	2	HOSE, FLEXIBLE, MXM120, MXM130, MXM140, 660 mm lg, W/Mec. Trans. 20 x 16 (40 KPH)
9	82031383	2	HOSE, FLEXIBLE, , W/Full Power Shift 18 x 6 (40 KPH) and 17 x 6 (30 KPH)
10	82016306	1	CLAMP,
11	10902224	1	BOLT, Hex, M6 x 16, 8.8, Full Thd,
12	12035670	1	WASHER, LOCK, M6
13	82015119	1	CLAMP,
14	10902824	2	BOLT, Hex, M6 x 30, 8.8,
15	16044621	4	BOLT, Hex, M8 x 70, 8.8,
16	12646704	2	WASHER, M8 x 20 x 2,
17	82015941	1	SUPPORT,
18	5138294	1	SUPPORT,
19	4999554	1	CLAMP,
20	87350808	1	COOLER, OIL, , ASN ACM256577
21	87363477	2	CLIP,
22	82033248	1	SUPPORT,
23	82034167	1	COVER,

D5067 Serial N.ACM254884 D5217 Serial N.ACM256577

1.32.0 TRANSMISSION, COVERS AND SUPPORTS

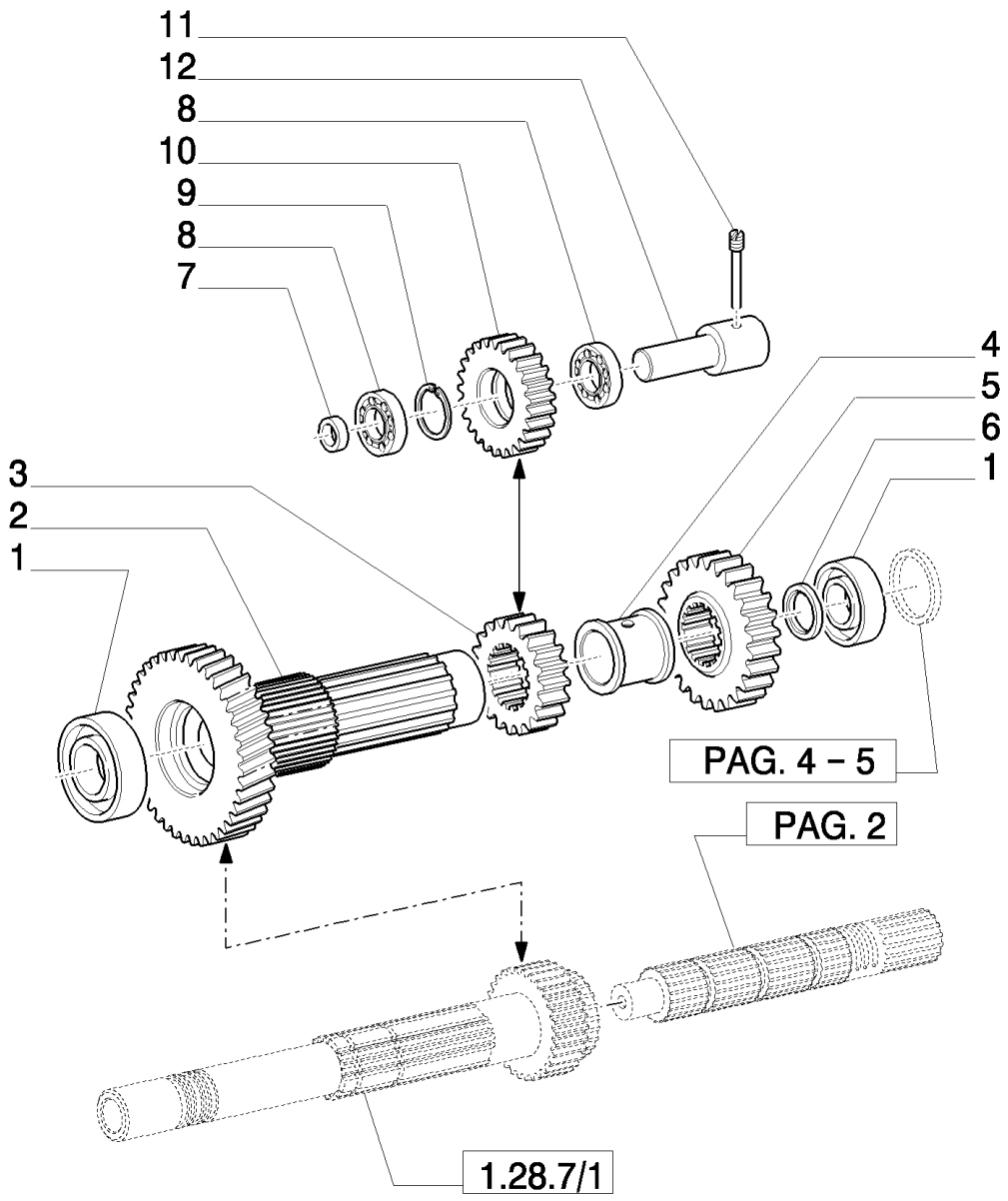
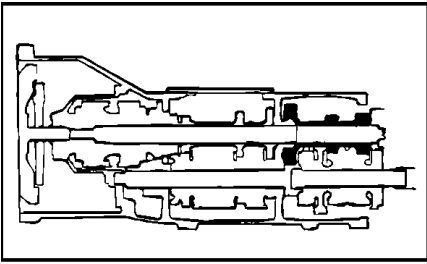


## MXM155 CASE IH TRACTOR (6/02- )

## 1.32.0 TRANSMISSION, COVERS AND SUPPORTS

сылка	Номер детали	Кол-во	Описание
1	5161583	1	SUPPORT, RH, MXM120, MXM130
1	5162538	1	SUPPORT, RH, MXM140, MXM155, W/112" Bar Axle F/Cast Wheels (Heavy Duty Reduction) is used for MXM120, MXM130
2	5152095	1	SUPPORT, LH, MXM120, MXM130
2	5162537	1	SUPPORT, LH, MXM140, MXM155, W/112" Bar Axle F/Cast Wheels (Heavy Duty Reduction) is used for MXM120, MXM130
3	10269350	2	PLUG, M10 x 1.25, MXM120, MXM130
4	14233624	12	BOLT, Hex, M10 x 1.25 x 30, MXM120, MXM130
4	14233721	12	BOLT, Hex, M10 x 1.25 x 35, MXM140, MXM155
5	5152097	AR	SHIM, .15mm Thk,
5	5152098	AR	SHIM, .20mm Thk,
5	5152099	AR	SHIM, .50mm Thk,
6	5155028	1	GUARD,
7	16100811	1	NUT, M8, CI 8,
8	14198700	1	PLATE, LOCKING,
9	14306524	1	SCREW, Hex Soc Hd, M8 x 30, 8.8,
10	5143257	1	PLATE,
11	5164785	1	SUPPORT,
12	10839710	2	DOWEL, M10 x 15
13	14233424	11	BOLT, Hex, M10 x 1.25 x 25,
14	11227024	4	BOLT, Hex, M14 x 1.5 x 65, 8.8,
14	11422021	2	BOLT, Hex, M14 x 1.5 x 55, 8.8, Full Thd,
15	11194174	6	WASHER, SPRING, Belleville, M10.5,
16	16204321	8	BOLT, Hex, M10 x 25, , W/Full Power Shift trans. 18 x 6 (40 KPH-4WD) and 17 x 6 (30 KPH-2WD) Equip. 281
17	11190574	8	WASHER, SPRING, Belleville, M10.5, , W/Full Power Shift trans. 18 x 6 (40 KPH-4WD) and 17 x 6 (30 KPH-2WD) Equip. 281
18	5185547	1	PLATE, , W/Full Power Shift trans. 18 x 6 (40 KPH-4WD) and 17 x 6 (30 KPH-2WD) Equip. 281
19	5164771	1	PLATE, VAR.448

1.32.1(01) CENTRAL REDUCTION GEARS



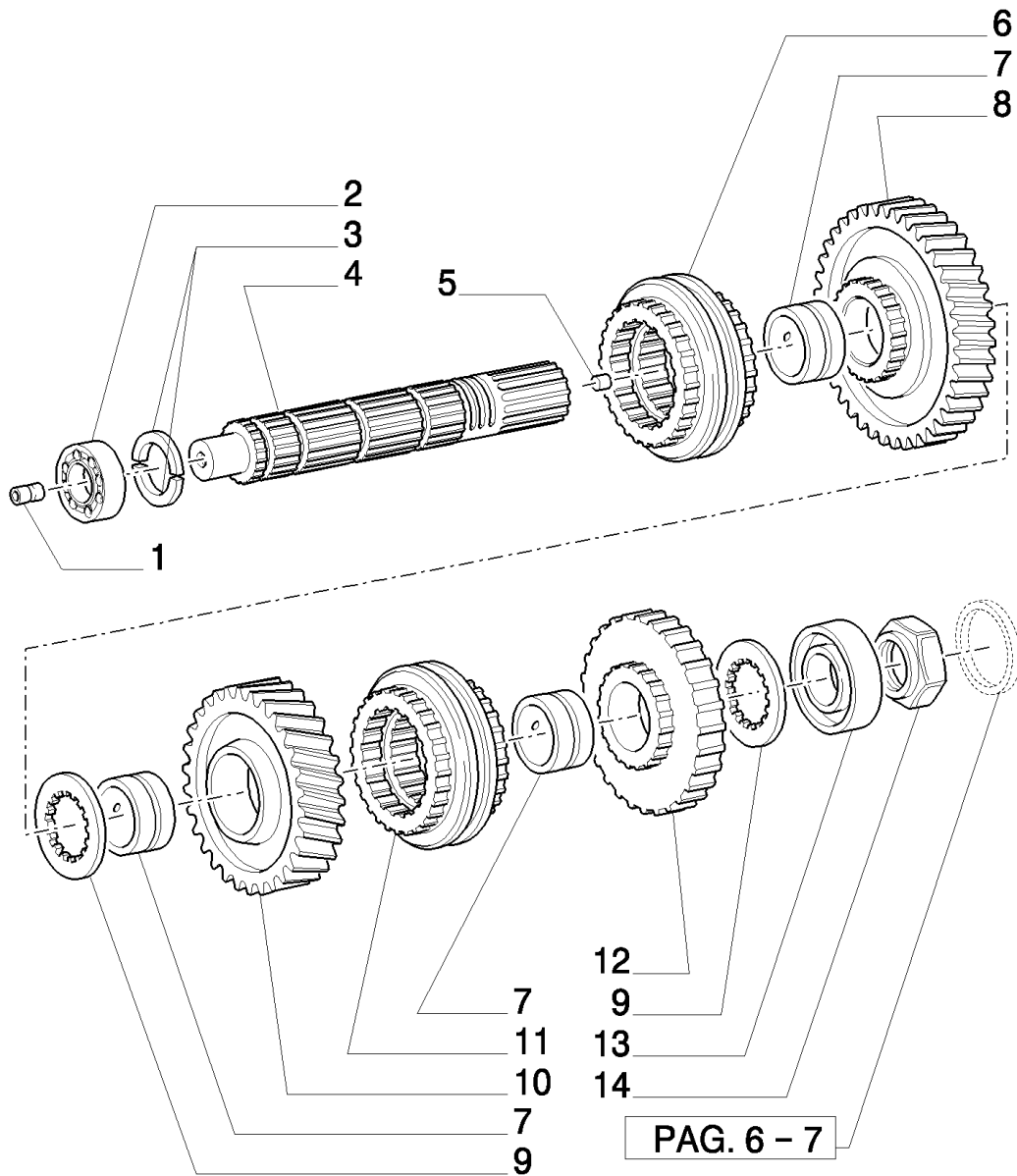
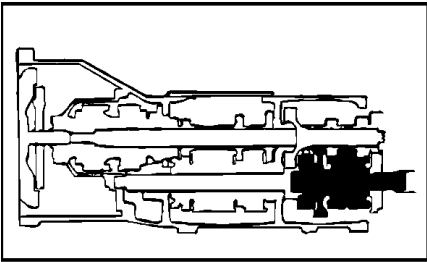
## MXM155 CASE IH TRACTOR (6/02- )

## 1.32.1(01) CENTRAL REDUCTION GEARS

сылка	Номер детали	Кол-во	Описание
1	26800160	2	BEARING, ROLLER, TAPERED, 50 x 90 x 24.75
2	5166028	1	SHAFT, DRIVEN,
3	5160404	1	GEAR, DRIVEN, Reverser
4	5160345	1	SPACER,
5	5166035	1	GEAR,
6	5166040	1	WASHER, THRUST, 50 x 68 x 4.5
7	5160347	1	SPACER,
8	20996680	2	BEARING, BALL,
9	80370012	1	RING, SNAP,
10	5160382	1	GEAR, DRIVEN, Reverser
11	5178342	1	PIN, ROLL,
12	5164846	1	SHAFT,



1.32.1(02) CENTRAL REDUCTION GEARS



PAG. 6 - 7

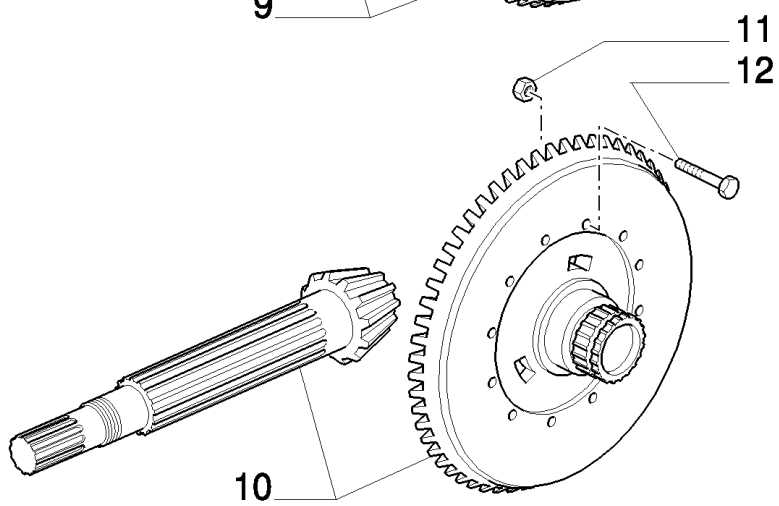
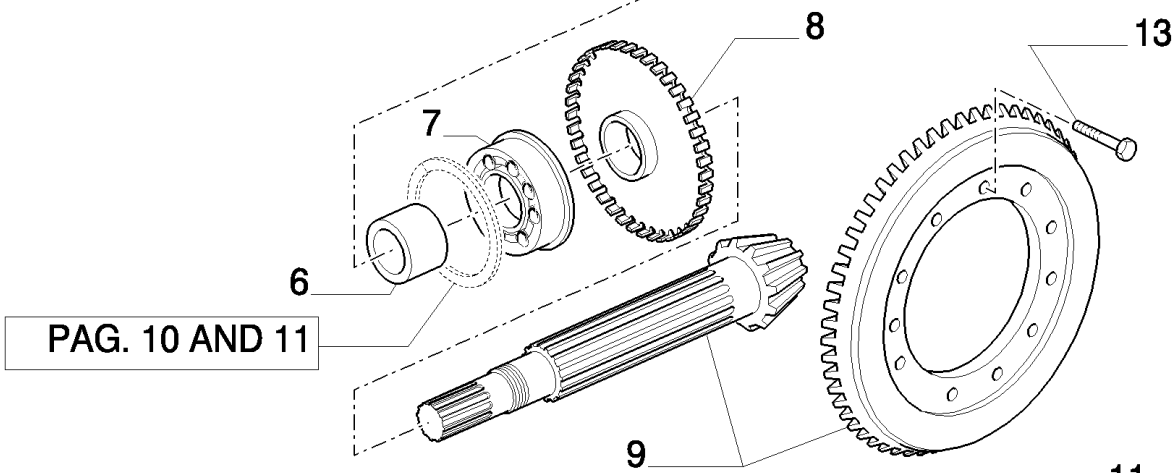
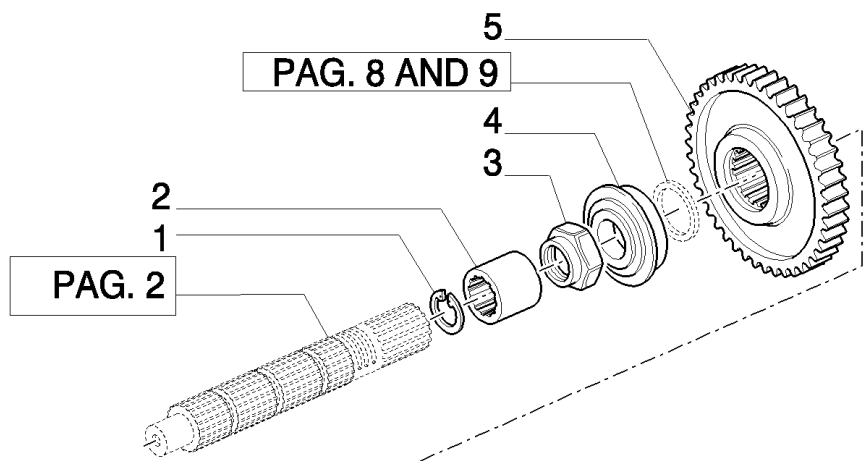
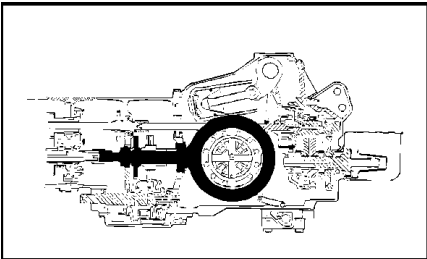


## MXM155 CASE IH TRACTOR (6/02- )

## 1.32.1(02) CENTRAL REDUCTION GEARS

сылка	Номер детали	Кол-во	Описание
1	5166038	1	PIPE,
2	5180813	1	BEARING, CONE,
3	5169085	1	WASHER,
4	5180850	1	SHAFT, MAIN,
5	5125566	1	DOWEL,
6	87567127	1	SYNCHRONIZER,
7	5164695	3	RING,
8	5164727	1	GEAR, DRIVEN,
9	5149239	2	WASHER, THRUST,
10	5165372	1	GEAR, DRIVEN, Reverse
11	87537028	1	SYNCHRONIZER,
12	5164729	1	GEAR, DRIVEN,
13	5169086	1	BEARING, ROLLER, TAPERED, 47.5 x 100 x 27.25
14	5169091	1	NUT, RING, M47 x 1.5

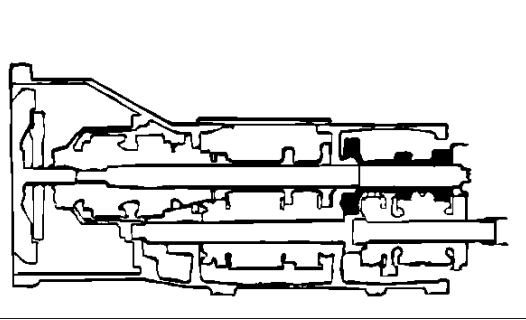
1.32.1(03) CENTRAL REDUCTION GEARS



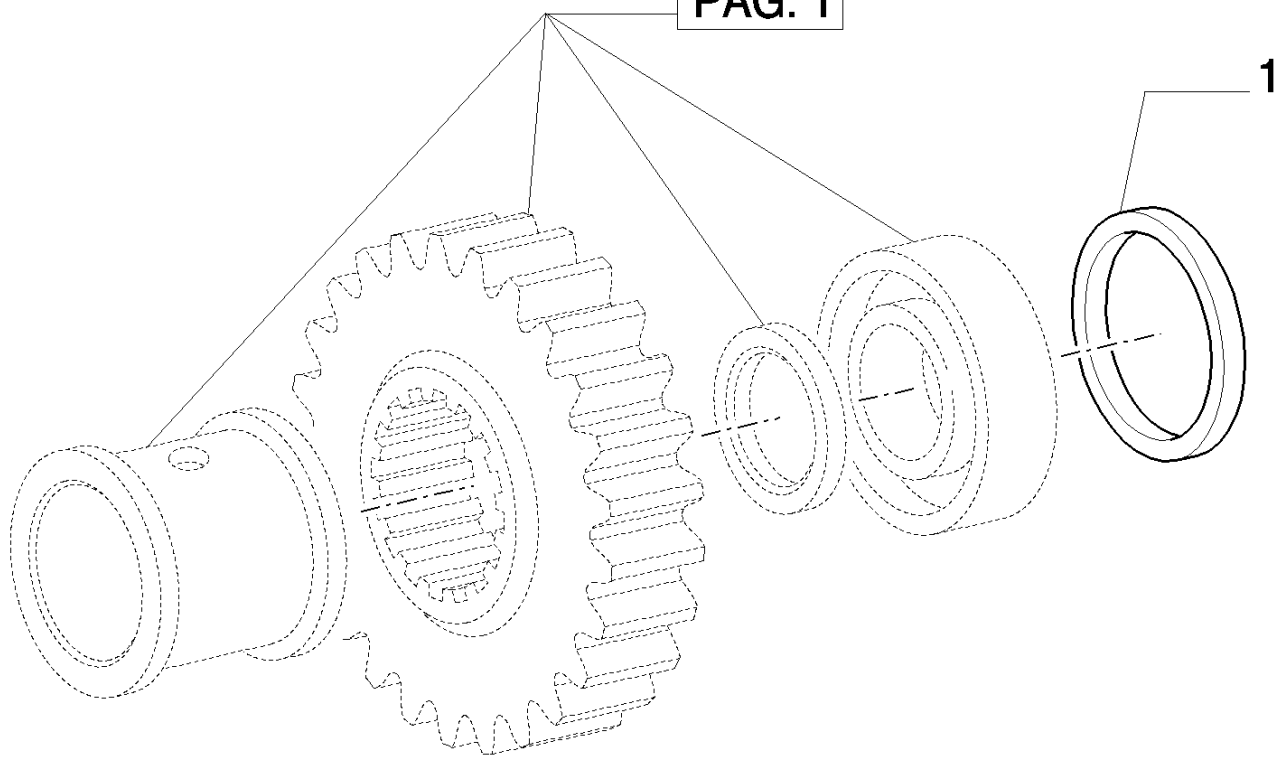
## MXM155 CASE IH TRACTOR (6/02- )

## 1.32.1(03) CENTRAL REDUCTION GEARS

сылка	Номер детали	Кол-во	Описание
1	11059776	1	RING, SNAP, M38, Int,
2	5176850	1	SLEEVE,
3	5147930	1	NUT, RING, M45 x 1.5 x 17
4	5138727	1	BEARING, ROLLER, TAPERED, 45 x 100 x 27.25
5	5152268	1	GEAR, DRIVING, 4WD, MXM120, MXM130
5	5163666	1	GEAR, DRIVING, 4WD, MXM140, MXM155, W/112" Bar Axle F/Cast Wheels (Heavy Duty Reduction) is used for MXM120, MXM130, W/Semi Power Shift Trans. 17 x 6 (JAPAN) Equip. 084 or W/Full Power Shift Trans. 17 x 6 (JAPAN) Equip. 085
6	5145129	AR	SPACER,
7	5128721	1	BEARING, ROLLER, TAPERED, MXM120, MXM130
7	5111271	1	BEARING, ROLLER, TAPERED, MXM140, MXM155, W/Semi Power Shift Trans. 17 x 6 (JAPAN) Equip. 084 or W/Full Power Shift Trans. 17 x 6 (JAPAN) Equip. 085, W/112" Bar Axle F/Cast Wheels (Heavy Duty Reduction) is used for MXM120, MXM130
8	5183201	1	SLEEVE, MXM120, MXM130
8	5183202	1	SLEEVE, MXM140, MXM155
9	5162572	1	GEAR SET, Ring & Pinion, (Ratio 10/43) MXM140, MXM155, W/112" Bar Axle F/Cast Wheels (Heavy Duty Reduction) is used for MXM120, MXM130
9	47136248	1	GEAR SET, Ring & Pinion, (Ratio 9/41), W/Semi Power Shift Trans. 17 x 6 (JAPAN) Equip. 084 or W/Full Power Shift Trans. 17 x 6 (JAPAN) Equip. 085
10	5154690	1	GEAR SET, Ring & Pinion, (Ratio 10/43) MXM120, MXM130
11	16109225	12	NUT, LOCK, M12 x 1.25, MXM120, MXM130
12	15540831	12	BOLT, Hex, M12 x 1.25 x 50, 10.9, MXM120, MXM130
13	5163988	10	SCREW, M14 x 1.5 x 93



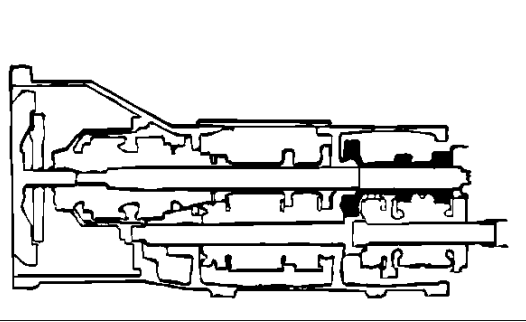
PAG. 1



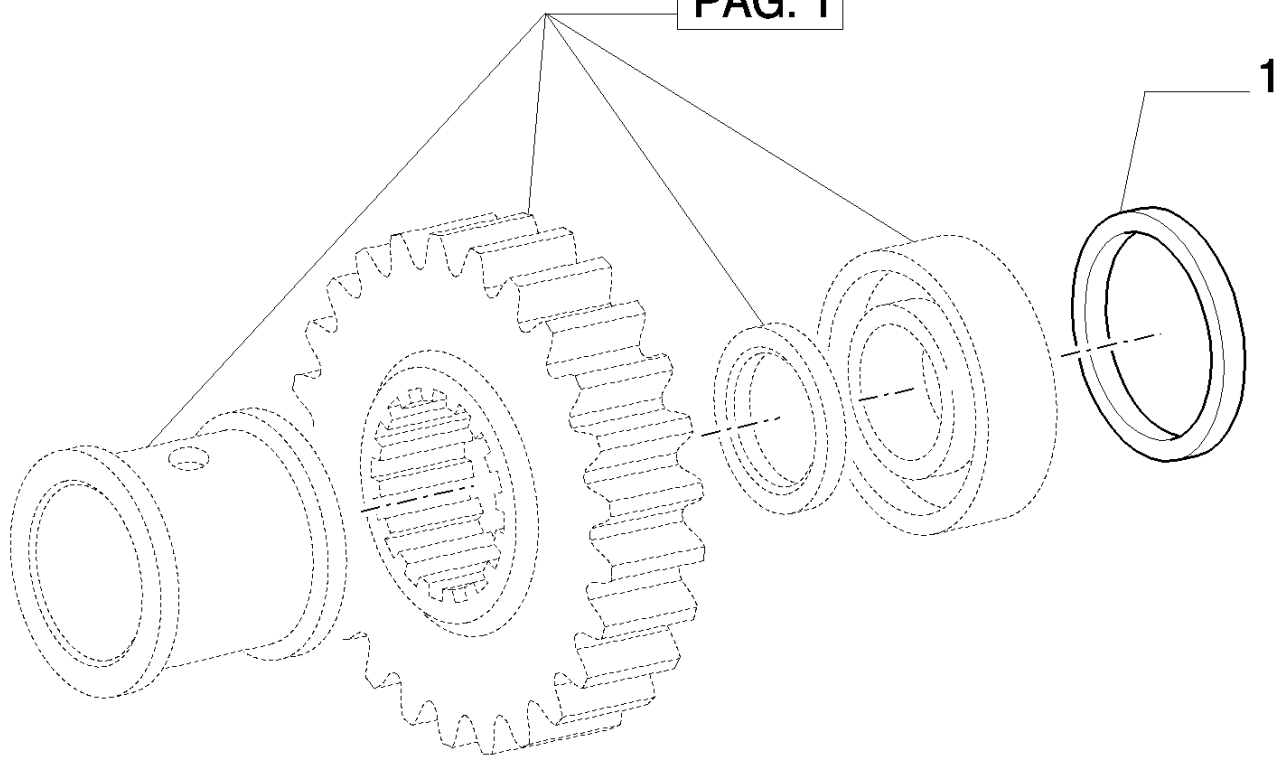
## MXM155 CASE IH TRACTOR (6/02- )

## 1.32.1(04) CENTRAL REDUCTION GEARS

сылка	Номер детали	Кол-во	Описание
1	5138520	AR	SHIM, 1.70mm Thk,
1	5138521	AR	SHIM, 1.80mm Thk,
1	5138522	AR	SHIM, 1.90mm Thk,
1	5138523	AR	SHIM, 2.00mm Thk,
1	5138524	AR	SHIM, 2.05mm Thk,
1	5138525	AR	SHIM, 2.10mm Thk,
1	5138526	AR	SHIM, 2.15mm Thk,
1	5138527	AR	SHIM, 2.20mm Thk,
1	5138528	AR	SHIM, 2.25mm Thk,
1	5138529	AR	SHIM, 2.30mm Thk,
1	5138530	AR	SHIM, 2.35mm Thk,
1	5138531	AR	SHIM, 2.40mm Thk,
1	5138532	AR	SHIM, 2.45mm Thk,
1	5138533	AR	SHIM, 2.50mm Thk,
1	5138534	AR	SHIM, 2.55mm Thk,
1	5138535	AR	SHIM, 2.60mm Thk,
1	5138536	AR	SHIM, 2.65mm Thk,
1	5138537	AR	SHIM, 2.70mm Thk,
1	5138538	AR	SHIM, 2.75mm Thk,



PAG. 1

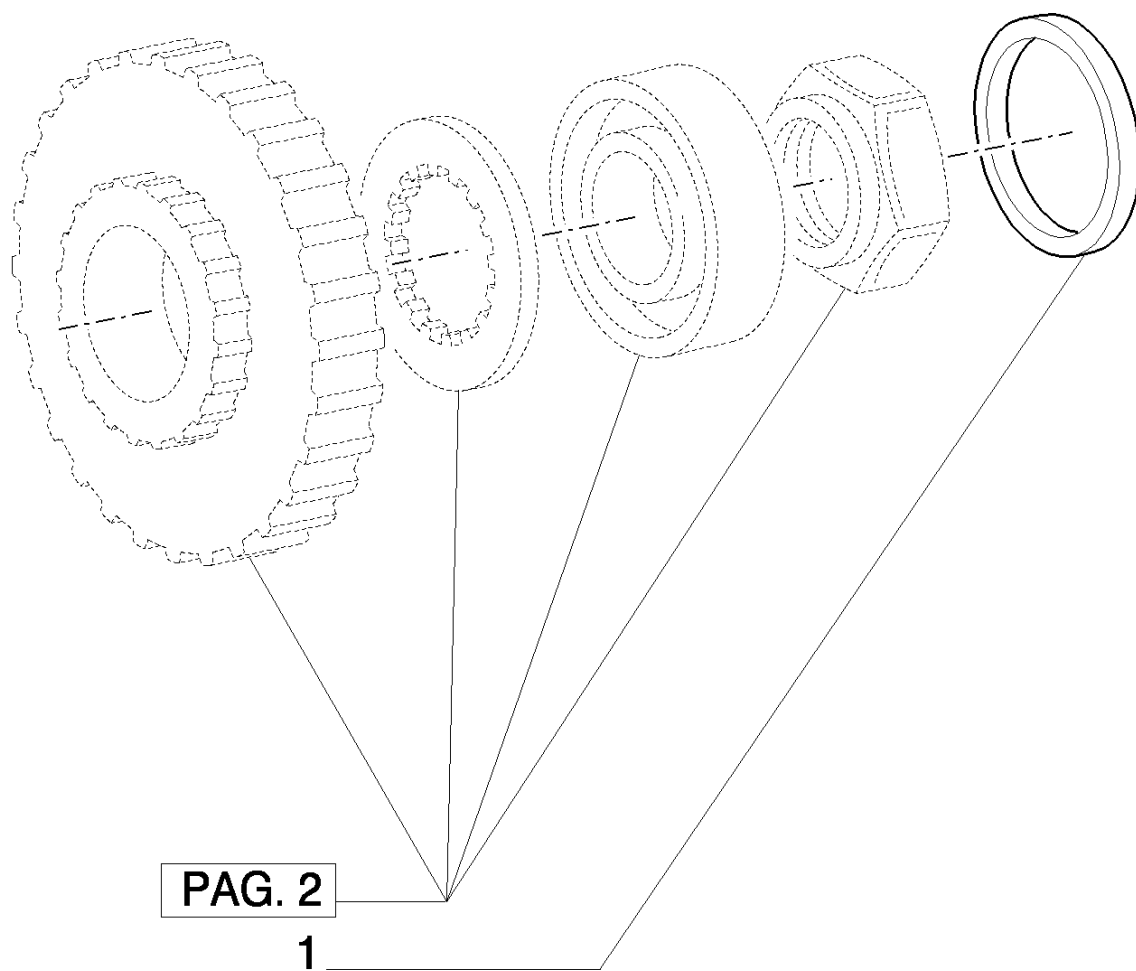
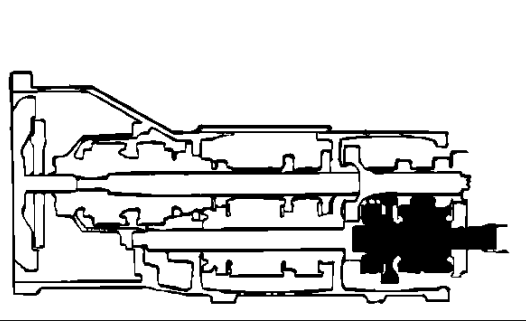


## MXM155 CASE IH TRACTOR (6/02- )

## 1.32.1(05) CENTRAL REDUCTION GEARS

сылка	Номер детали	Кол-во	Описание
1	5138539	AR	SHIM, 2.80mm Thk,
1	5138540	AR	SHIM, 2.85mm Thk,
1	5138541	AR	SHIM, 2.90mm Thk,
1	5138542	AR	SHIM, 2.95mm Thk,
1	5138543	AR	SHIM, 3.00mm Thk,
1	5138544	AR	SHIM, 3.10mm Thk,
1	5138545	AR	SHIM, 3.20mm Thk,
1	5138546	AR	SHIM, 3.30mm Thk,
1	5159714	AR	SHIM, 1.75mm Thk,
1	5159715	AR	SHIM, 1.85mm Thk,
1	5159716	AR	SHIM, 1.95mm Thk,
1	5178492	AR	SHIM, 1.50mm Thk,
1	5178493	AR	SHIM, 1.55mm Thk,
1	5178494	AR	SHIM, 1.60mm Thk,
1	5178495	AR	SHIM, 1.65mm Thk,
1	5178496	AR	SHIM, 3.05mm Thk,
1	5178497	AR	SHIM, 3.15mm Thk,
1	5178498	AR	SHIM, 3.25mm Thk,
1	5178499	AR	SHIM, 3.35mm Thk,
1	5178500	AR	SHIM, 3.40mm Thk,

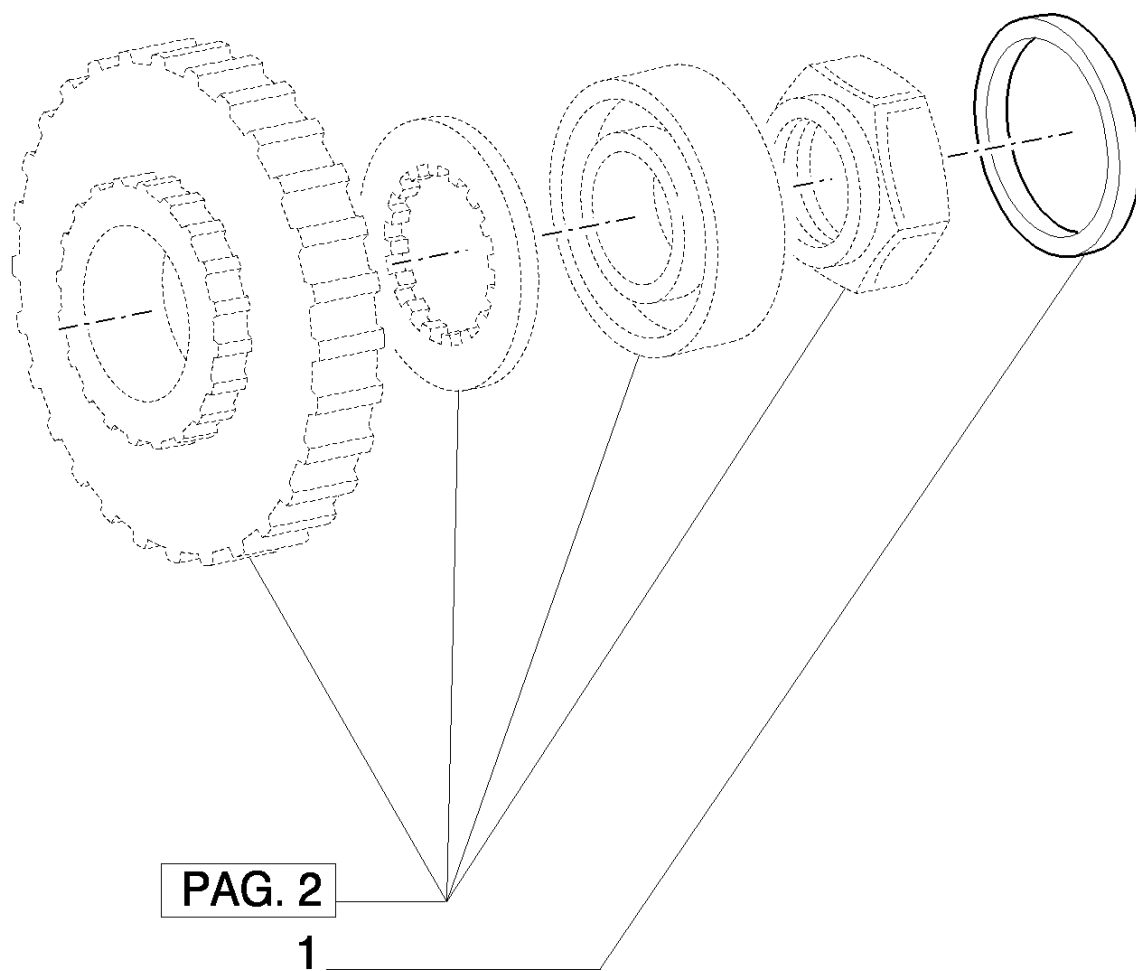
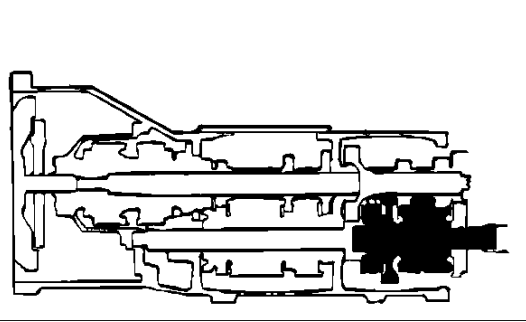




## MXM155 CASE IH TRACTOR (6/02- )

## 1.32.1(06) CENTRAL REDUCTION GEARS

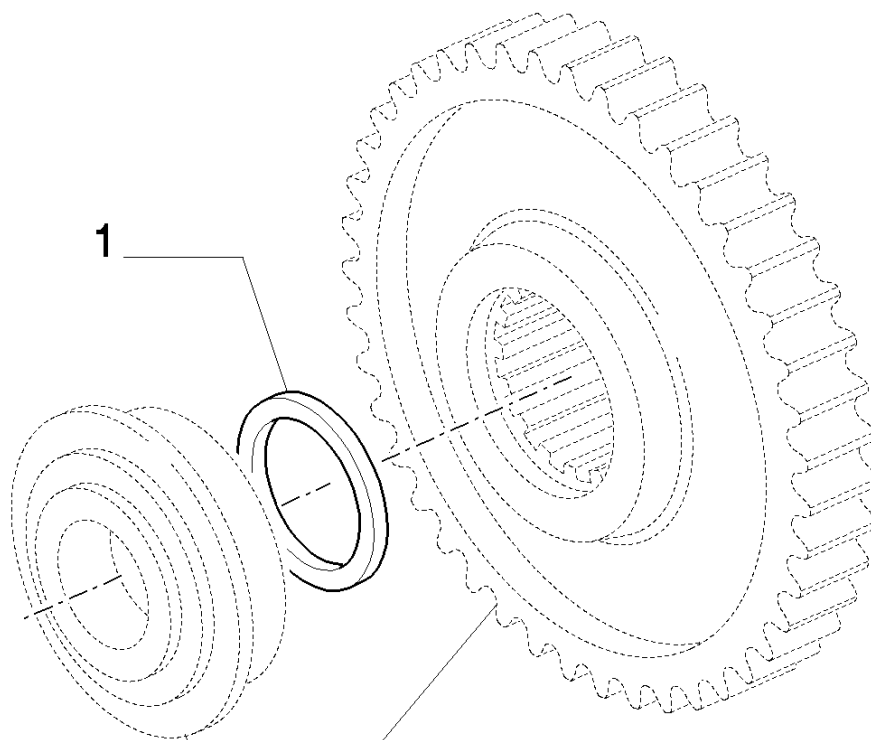
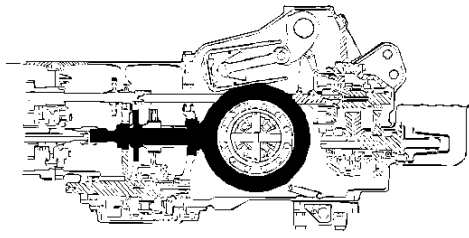
сылка	Номер детали	Кол-во	Описание
1	5138547	AR	SHIM, 1.70mm Thk,
1	5138548	AR	SHIM, 1.80mm Thk,
1	5138549	AR	SHIM, 1.90mm Thk,
1	5138550	AR	SHIM, 2.00mm Thk,
1	5138551	AR	SHIM, 2.05mm Thk,
1	5138552	AR	SHIM, 2.10mm Thk, 2.10 mm
1	5138553	AR	SHIM, 2.15mm Thk,
1	5138554	AR	SHIM, 2.20mm Thk,
1	5138555	AR	SHIM, 2.25mm Thk,
1	5138556	AR	SHIM, 2.30mm Thk,
1	5138557	AR	SHIM, 2.35mm Thk,
1	5138558	AR	SHIM, 2.40mm Thk,
1	5138559	AR	SHIM, 2.45mm Thk,
1	5138560	AR	SHIM, 2.50mm Thk,
1	5138561	AR	SHIM, 2.55mm Thk,
1	5138562	AR	SHIM, 2.60mm Thk,
1	5138563	AR	SHIM, 2.65mm Thk,
1	5138564	AR	SHIM, 2.70mm Thk,
1	5138565	AR	SHIM, 2.75mm Thk,



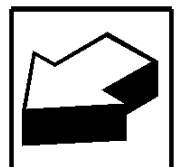
## MXM155 CASE IH TRACTOR (6/02- )

## 1.32.1(07) CENTRAL REDUCTION GEARS

сылка	Номер детали	Кол-во	Описание
1	5138566	AR	SHIM, 2.80mm Thk,
1	5138567	AR	SHIM, 2.85mm Thk,
1	5138568	AR	SHIM, 2.90mm Thk,
1	5138569	AR	SHIM, 2.95mm Thk,
1	5138570	AR	SHIM, 3.00mm Thk,
1	5138571	AR	SHIM, 3.10mm Thk,
1	5138572	AR	SHIM, 3.20mm Thk,
1	5138573	AR	SHIM, 3.30mm Thk,
1	5159715	AR	SHIM, 1.85mm Thk,
1	5159711	AR	SHIM, 1.75mm Thk,
1	5159713	AR	SHIM, 1.95mm Thk,
1	5178501	AR	SHIM, 1.60mm Thk,
1	5178502	AR	SHIM, 1.65mm Thk,
1	5178503	AR	SHIM, 3.05mm Thk,
1	5178504	AR	SHIM, 3.15mm Thk,
1	5178505	AR	SHIM, 3.25mm Thk,
1	5178506	AR	SHIM, 3.35mm Thk,
1	5178507	AR	SHIM, 3.40mm Thk,
1	5178508	AR	SHIM, 3.45mm Thk,
1	5178509	AR	SHIM, 3.50mm Thk,



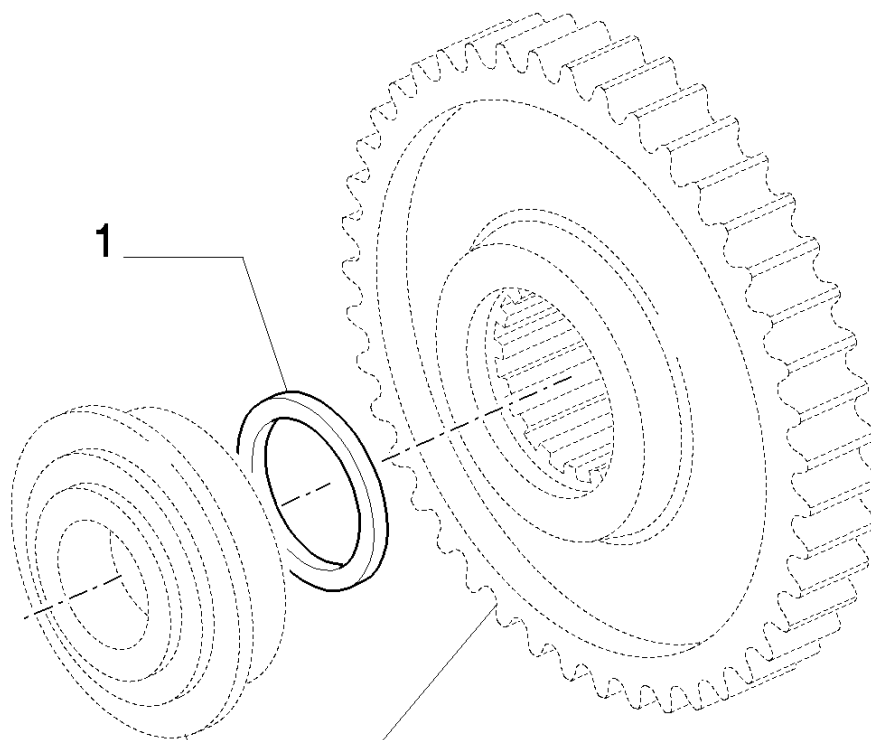
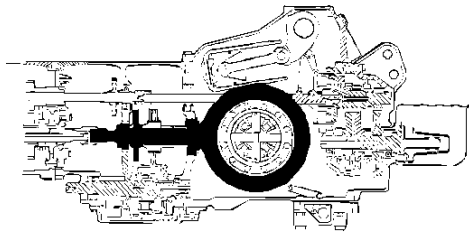
PAG. 3



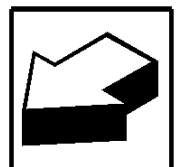
## MXM155 CASE IH TRACTOR (6/02- )

## 1.32.1(08) CENTRAL REDUCTION GEARS

сылка	Номер детали	Кол-во	Описание
1	5148557	AR	SHIM, 4.400mm Thk,
1	5148558	AR	SHIM, 4.500mm Thk,
1	5148559	AR	SHIM, 4.600mm Thk,
1	5148560	AR	SHIM, 4.700mm Thk,
1	5148561	AR	SHIM, 4.800mm Thk,
1	5148562	AR	SHIM, 4.850mm Thk,
1	5148563	AR	SHIM, 4.900mm Thk,
1	5148564	AR	SHIM, 4.950mm Thk,
1	5148565	AR	SHIM, 5.000mm Thk,
1	5148566	AR	SHIM, 5.050mm Thk,
1	5148567	AR	SHIM, 5.100mm Thk,
1	5148568	AR	SHIM, 5.150mm Thk,
1	5148569	AR	SHIM, 5.200mm Thk,
1	5148570	AR	SHIM, 5.250mm Thk,
1	5148571	AR	SHIM, 5.300mm Thk,
1	5148572	AR	SHIM, 5.350mm Thk,
1	5148573	AR	SHIM, 5.400mm Thk,
1	5148574	AR	SHIM, 5.450mm Thk,



PAG. 3

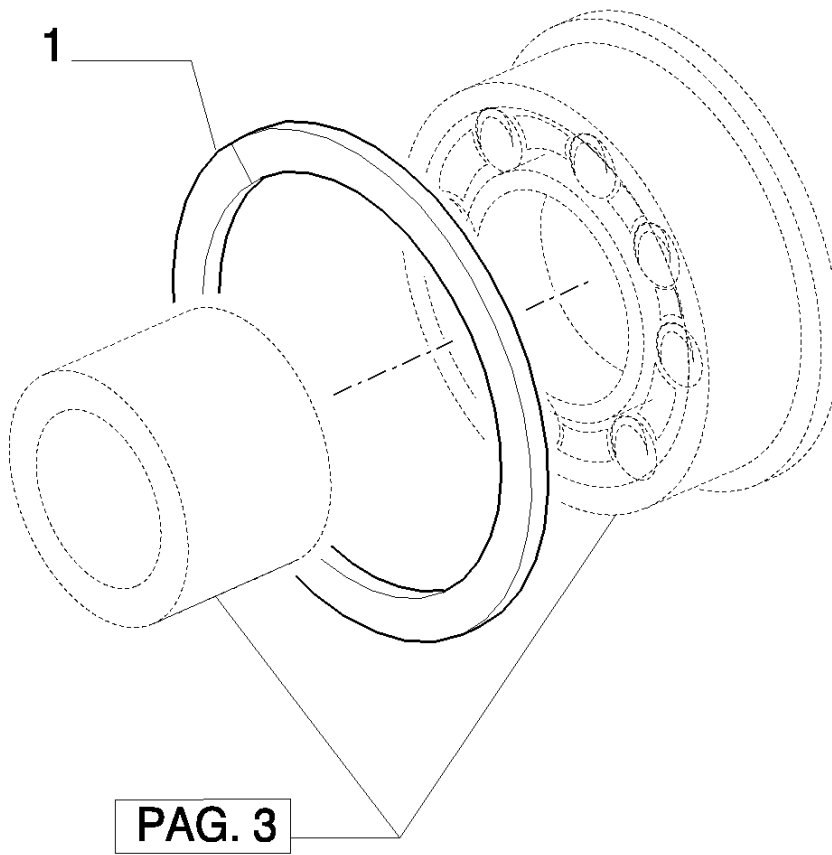
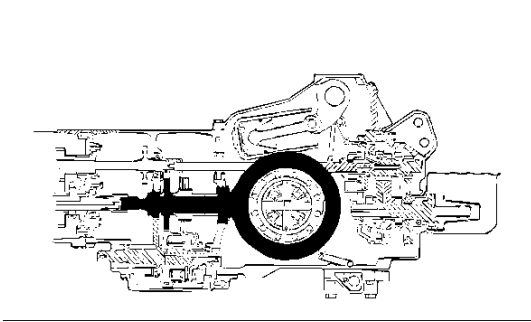


## MXM155 CASE IH TRACTOR (6/02- )

## 1.32.1(09) CENTRAL REDUCTION GEARS

сылка	Номер детали	Кол-во	Описание
1	5148575	AR	SHIM, 5.500mm Thk,
1	5148576	AR	SHIM, 5.550mm Thk,
1	5148577	AR	SHIM, 5.600mm Thk,
1	5148578	AR	SHIM, 5.650mm Thk,
1	5148579	AR	SHIM, 5.700mm Thk,
1	5148580	AR	SHIM, 5.750mm Thk,
1	5148581	AR	SHIM, 5.800mm Thk,
1	5148582	AR	SHIM, 5.850mm Thk,
1	5148583	AR	SHIM, 5.900mm Thk,
1	5148584	AR	SHIM, 5.950mm Thk,
1	5148585	AR	SHIM, 6.000mm Thk,
1	5148586	AR	SHIM, 6.050mm Thk,
1	5148587	AR	SHIM, 6.100mm Thk,
1	5148588	AR	SHIM, 6.150mm Thk,
1	5148589	AR	SHIM, 6.200mm Thk,
1	5148590	AR	SHIM, 6.300mm Thk,
1	5148591	AR	SHIM, 6.400mm Thk,
1	5148592	AR	SHIM, 6.500mm Thk,
1	5148593	AR	SHIM, 6.600mm Thk,

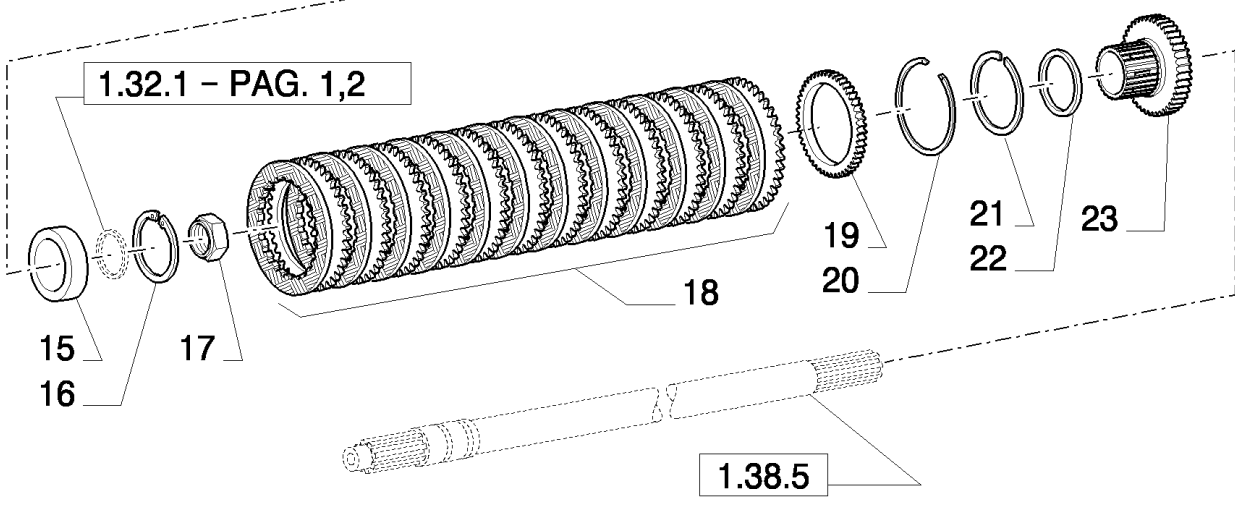
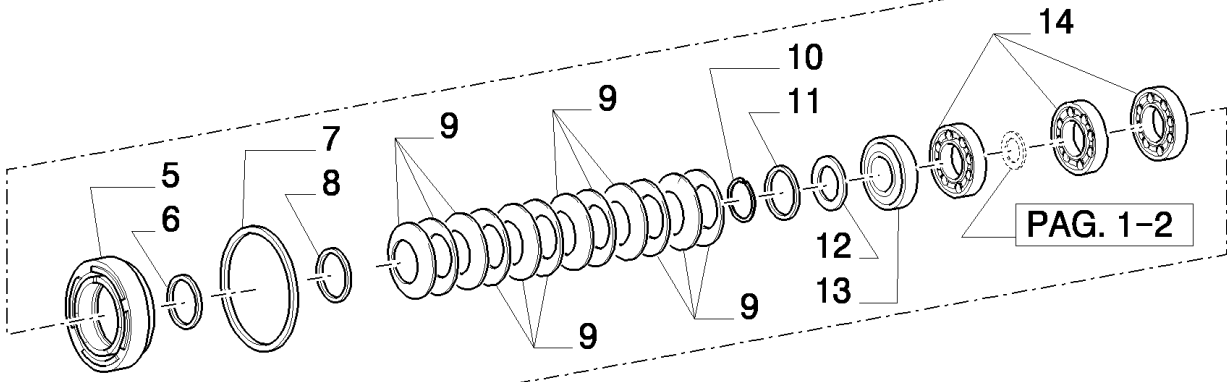
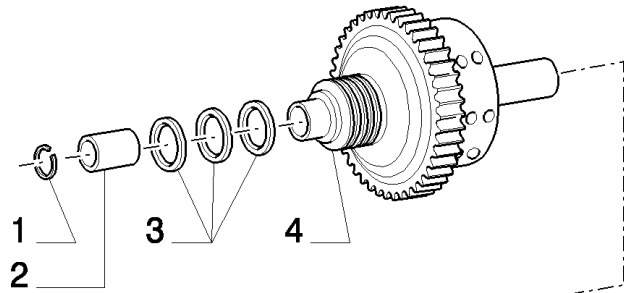
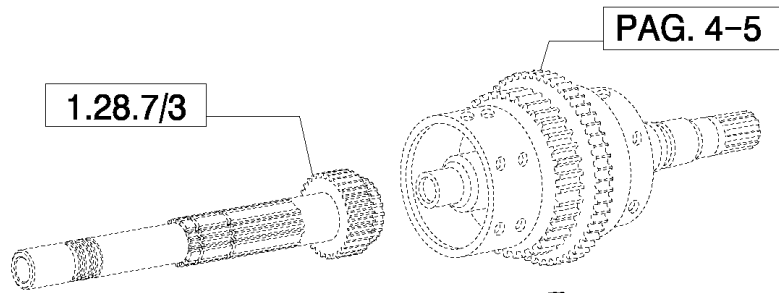
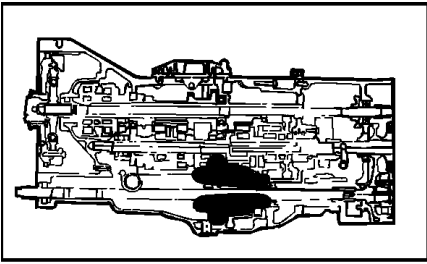




## MXM155 CASE IH TRACTOR (6/02- )

## 1.32.1(11) CENTRAL REDUCTION GEARS

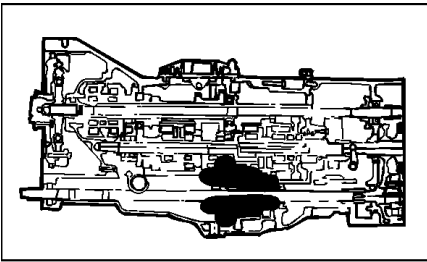
сылка	Номер детали	Кол-во	Описание
1	5102442	AR	SHIM, 3.00mm Thk,
1	5102443	AR	SHIM, 3.10mm Thk,
1	5102444	AR	SHIM, 3.20mm Thk,
1	5102445	AR	SHIM, 3.30mm Thk,
1	5102446	AR	SHIM, 3.40mm Thk,
1	5102447	AR	SHIM, 3.5mm Thk,
1	5102448	AR	SHIM, 3.60mm Thk,
1	5102449	AR	SHIM, 3.70mm Thk,
1	5102450	AR	SHIM, 3.80mm Thk,
1	5102451	AR	SHIM, 3.90mm Thk,
1	5102452	AR	SHIM, 4.00mm Thk,
1	5178413	AR	SHIM, 3.05mm Thk,
1	5178414	AR	SHIM, 3.15mm Thk,
1	5178415	AR	SHIM, 3.25mm Thk,
1	5178416	AR	SHIM, 3.35mm Thk,
1	5178417	AR	SHIM, 3.45mm Thk,
1	5178418	AR	SHIM, 3.55mm Thk,
1	5178419	AR	SHIM, 3.65mm Thk,
1	5178420	AR	SHIM, 3.75mm Thk,
1	5178421	AR	SHIM, 3.85mm Thk,
1	5178422	AR	SHIM, 3.95mm Thk,



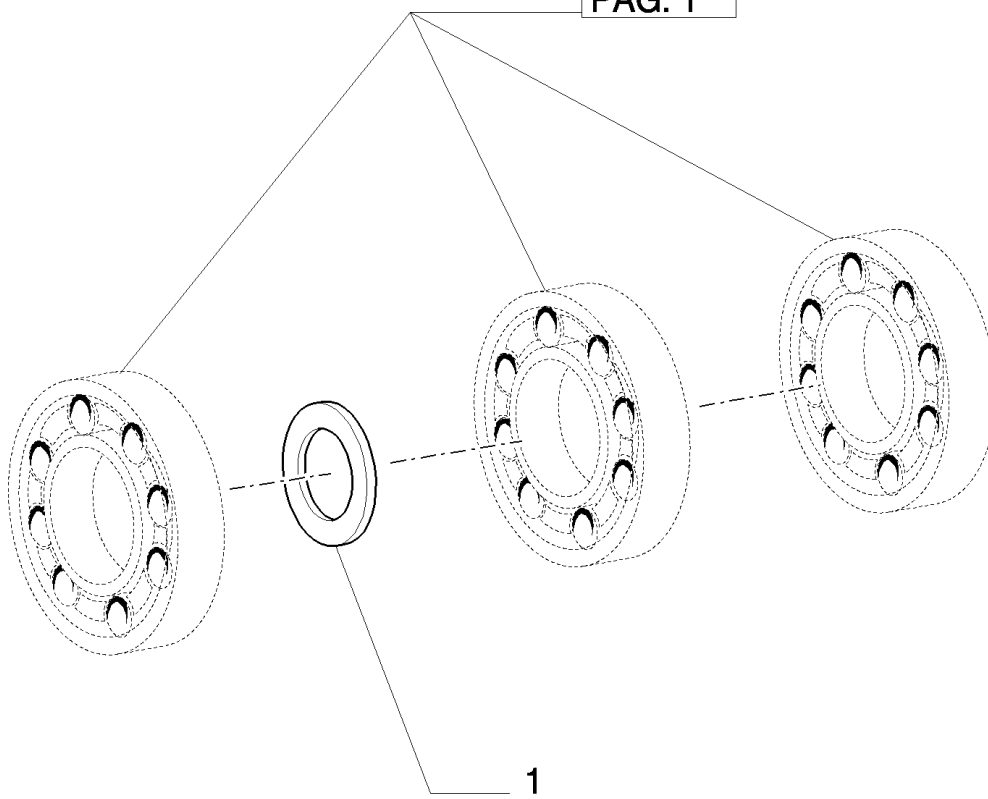
## MXM155 CASE IH TRACTOR (6/02- )

## 1.32.1/03(01) (VAR.281) FULL POWER-SHIFT TRANS. 18X6 (40 KPH-4WD) AND 17X6 (30 KPH) - CENTRAL REDUCTION GEARS

сылка	Номер детали	Кол-во	Описание
1	13421876	1	RING, LOCKING,
2	5172261	1	SPACER,
3	5131232	3	SEALRING,
4	5185249	1	SHAFT, (1, 2)
5	5187424	1	PISTON,
6	5162252	1	GASKET,
7	5172302	1	GASKET,
8	5164926	1	RING, 61 x 85 x 3, -C5486
8	87547826	1	RING, , D5486-
9	5177755	12	SPRING, , -C5486
9	87547948	12	SPRING, , D5486-
10	5175981	1	RING, LOCKING,
11	5164928	1	RING, 60 x 70 x 3
12	5179183	1	SPACER, 55.1/55.3 x 73 x 3.2
13	5176949	1	RING,
14	5187264	3	BEARING, ROLLER, TAPERED, 55 x 90 x 23
15	5179538	1	SPACER, 78 x 89.6/89.8 x 15.75
16	11062476	1	RING, SNAP, M90, Int,
17	5187828	1	NUT, RING, M55 x 1.5 x 20
18	5172232	1	KIT,
19	5179115	1	DISC,
20	5162251	1	RING, LOCKING,
21	5179124	1	RING, LOCKING,
22	81865152	1	SEAL,
23	5179047	1	GEAR, Intermediate



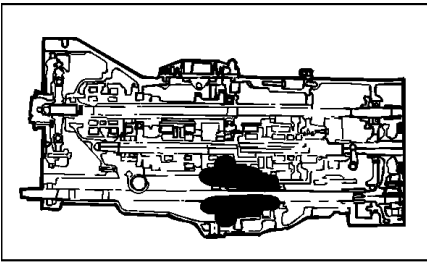
PAG. 1



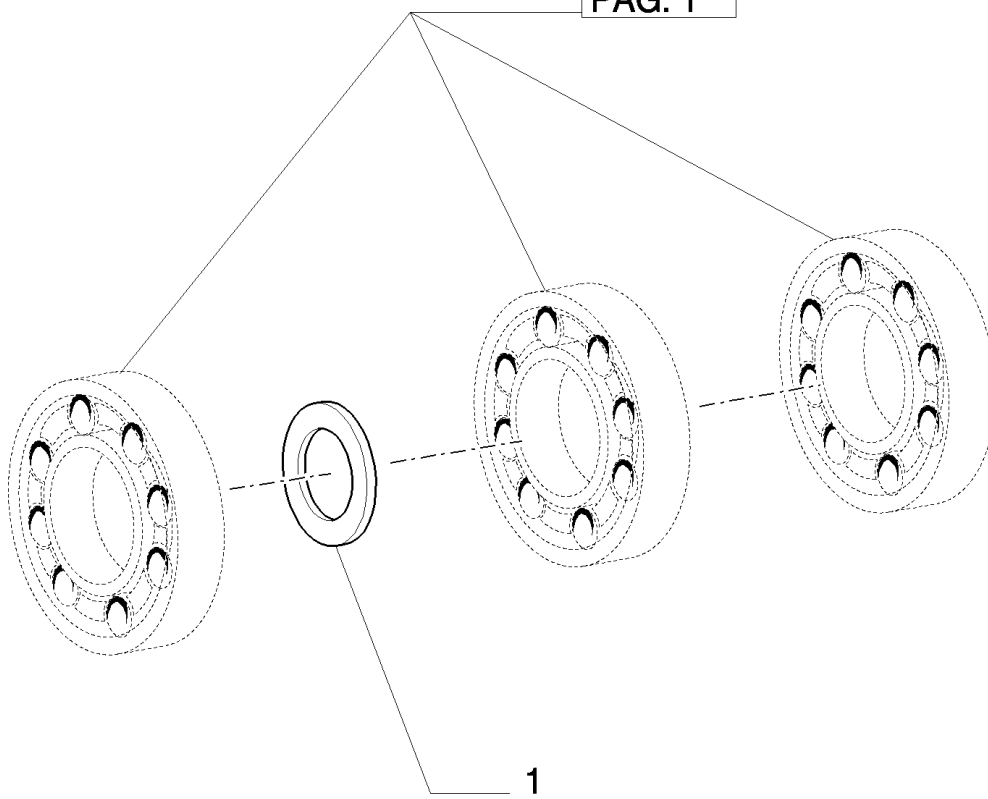
## MXM155 CASE IH TRACTOR (6/02- )

## 1.32.1/03(02) (VAR.281) FULL POWER-SHIFT TRANS. 18X6 (40 KPH-4WD) AND 17X6 (30 KPH) - CENTRAL REDUCTION GEARS

сылка	Номер детали	Кол-во	Описание
1	5179141	AR	SHIM, M55.1/55.3 x 62 x 8.900,
1	5179142	AR	SHIM, M55.1/55.3 x 62 x 8.925,
1	5179143	AR	SHIM, M55.1/55.3 x 62 x 8.950,
1	5179144	AR	SHIM, M55.1/55.3 x 62 x 8.975,
1	5179145	AR	SHIM, M55.1/55.3 x 62 x 9.000,
1	5179146	AR	SHIM, M55.1/55.3 x 62 x 9.025,
1	5179147	AR	SHIM, M55.1/55.3 x 62 x 9.050,
1	5179148	AR	SHIM, M55.1/55.3 x 62 x 9.075,
1	5179149	AR	SHIM, M55.1/55.3 x 62 x 9.100,
1	5179150	AR	SHIM, M55.1/55.3 x 62 x 9.125,
1	5179151	AR	SHIM, M55.1/55.3 x 62 x 9.150,
1	5179152	AR	SHIM, M55.1/55.3 x 62 x 9.175,
1	5179153	AR	SHIM, M55.1/55.3 x 62 x 9.200,
1	5179154	AR	SHIM, M55.1/55.3 x 62 x 9.225,
1	5179155	AR	SHIM, M55.1/55.3 x 62 x 9.250,
1	5179156	AR	SHIM, M55.1/55.3 x 62 x 9.275,



PAG. 1

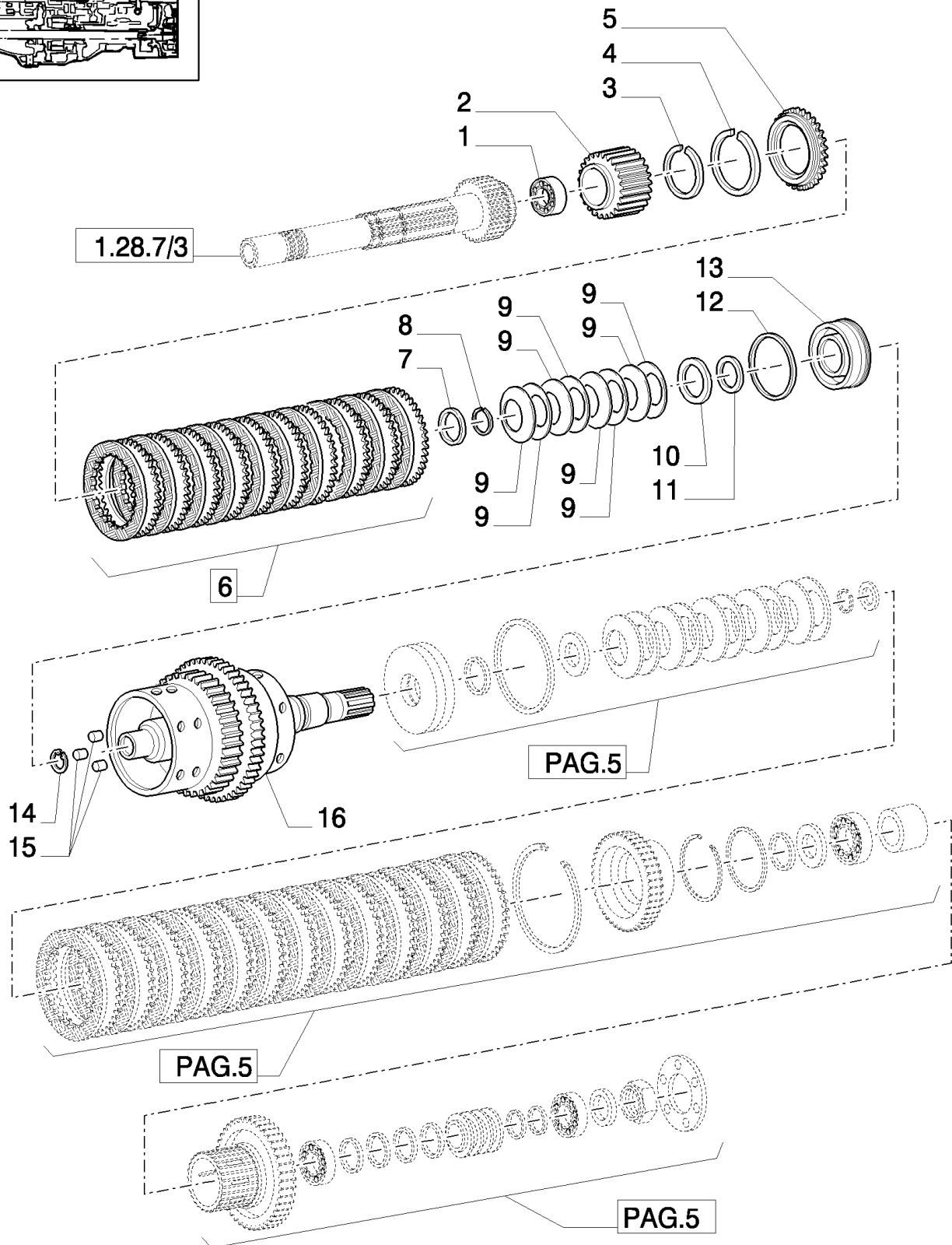
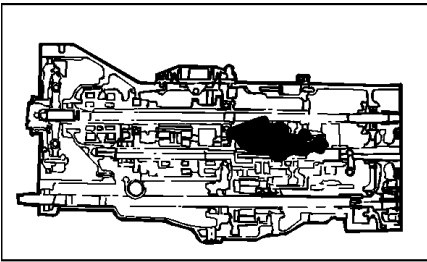


## MXM155 CASE IH TRACTOR (6/02- )

## 1.32.1/03(03) (VAR.281) FULL POWER-SHIFT TRANS. 18X6 (40 KPH-4WD) AND 17X6 (30 KPH) - CENTRAL REDUCTION GEARS

сылка	Номер детали	Кол-во	Описание
1	5179157	AR	SHIM, M55.1/55.3 x 62 x 9.300,
1	5179158	AR	SHIM, M55.1/55.3 x 62 x 9.325,
1	5179159	AR	SHIM, M55.1/55.3 x 62 x 9.350,
1	5179160	AR	SHIM, M55.1/55.3 x 62 x 9.375,
1	5179161	AR	SHIM, M55.1/55.3 x 62 x 9.400,
1	5179162	AR	SHIM, M55.1/55.3 x 62 x 9.425,
1	5179163	AR	SHIM, M55.1/55.3 x 62 x 9.450,
1	5179164	AR	SHIM, M55.1/55.3 x 62 x 9.475,
1	5179165	AR	SHIM, M55.1/55.3 x 62 x 9.500,
1	5179166	AR	SHIM, M55.1/55.3 x 62 x 9.525,
1	5179167	AR	SHIM, M55.1/55.3 x 62 x 9.550,
1	5179168	AR	SHIM, M55.1/55.3 x 62 x 9.575,
1	5179169	AR	SHIM, M55.1/55.3 x 62 x 9.600,
1	5179170	AR	SHIM, M55.1/55.3 x 62 x 9.625,
1	5179171	AR	SHIM, M55.1/55.3 x 62 x 9.650,
1	5179172	AR	SHIM, M55.1/55.3 x 62 x 10.500,

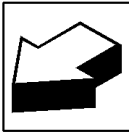
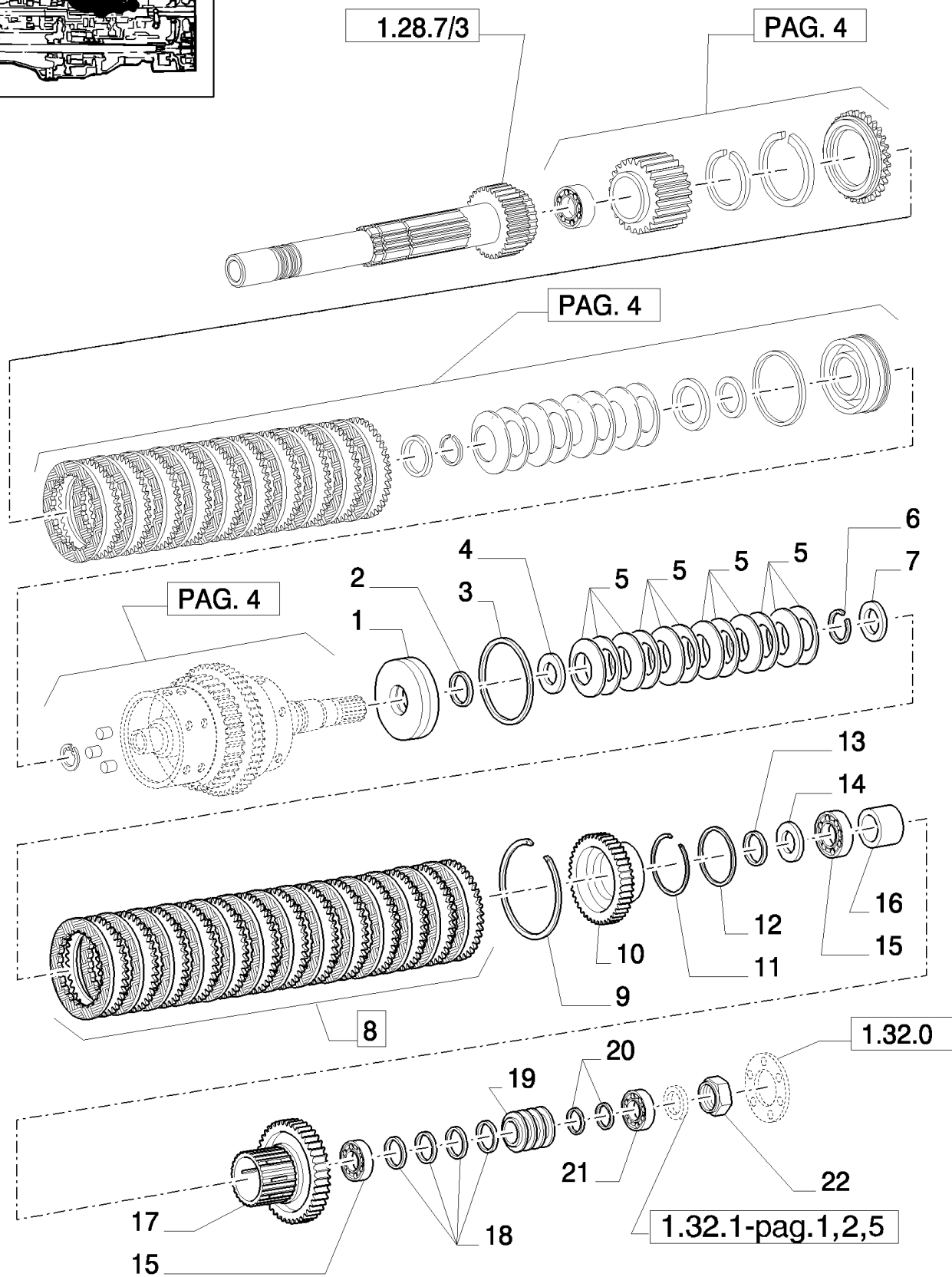
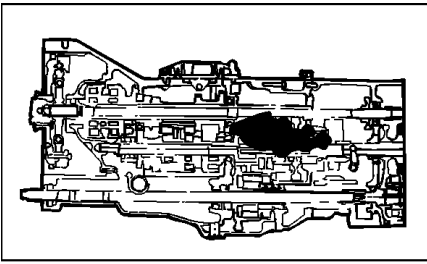




## MXM155 CASE IH TRACTOR (6/02- )

## 1.32.1/03(04) (VAR.281) FULL POWER-SHIFT TRANS. 18X6 (40 KPH-4WD) AND 17X6 (30 KPH) - CENTRAL REDUCTION GEARS

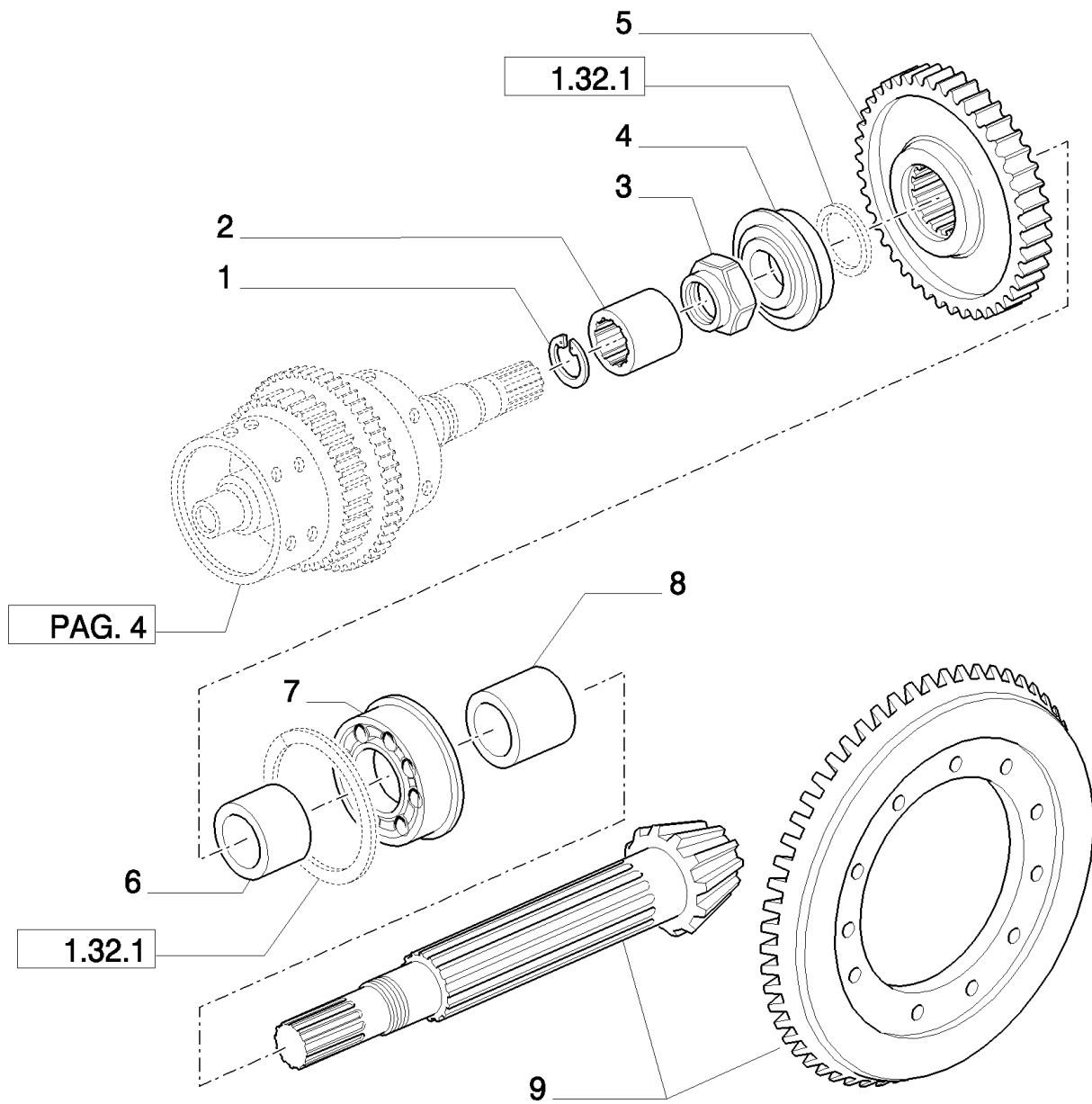
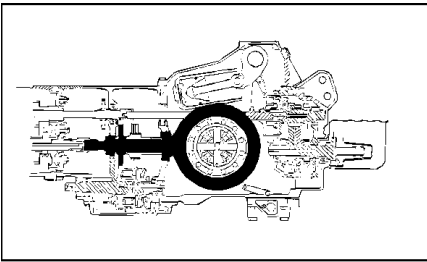
сылка	Номер детали	Кол-во	Описание
1	5172328	1	BEARING, ROLLER, TAPERED, 40 x 75 x 26
2	5172234	1	HUB,
3	5171953	1	RING, LOCKING,
4	5162251	1	RING, LOCKING,
5	5167824	1	DISC,
6	5172229	1	KIT, Clutch Plates
7	5164928	2	RING, 60 x 70 x 3
8	5175981	2	RING, LOCKING,
9	5177755	8	SPRING, , -C5486
9	87547948	8	SPRING, , D5486-
10	5164926	1	RING, 61 x 85 x 3, -C5486
10	87547826	1	RING, , D5486-
11	5162252	1	GASKET,
12	5138955	1	O-RING,
13	5187425	1	PISTON,
14	11059076	1	RING, SNAP, M32, Int,
15	5162260	3	PLUG,
16	5185375	1	SHAFT, (14, 15)



## MXM155 CASE IH TRACTOR (6/02- )

## 1.32.1/03(05) (VAR.281) FULL POWER-SHIFT TRANS. 18X6 (40 KPH-4WD) AND 17X6 (30 KPH) - CENTRAL REDUCTION GEARS

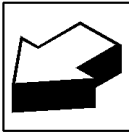
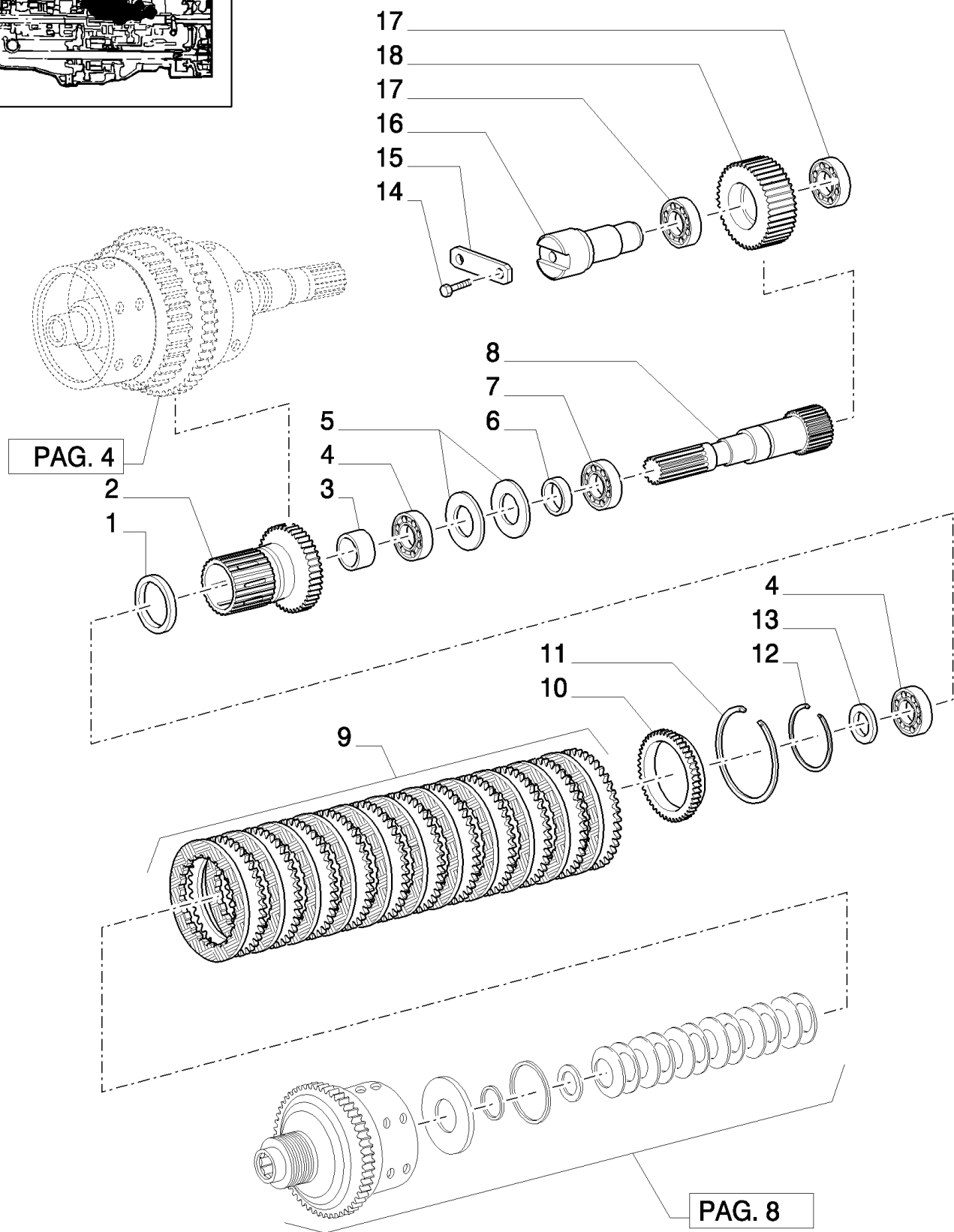
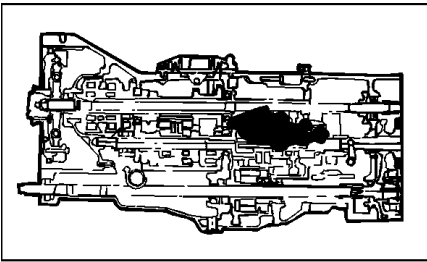
сылка	Номер детали	Кол-во	Описание
1	5187424	1	PISTON,
2	5162252	1	GASKET,
3	5172302	1	GASKET,
4	5164926	1	RING, 61 x 85 x 3, -C5486
4	87547826	1	RING, , D5486-
5	5177755	12	SPRING, , -C5486
5	87547948	12	SPRING, , D5486-
6	5175981	1	RING, LOCKING,
7	5164928	1	RING, 60 x 70 x 3
8	5199903	1	KIT, Clutch Plates
9	5162251	1	RING, LOCKING,
10	5179115	1	DISC,
11	5179124	1	RING, LOCKING,
12	81865152	1	SEAL,
13	5183118	1	SPACER, 55.1/55.3 x 66 x 2.5
14	5183706	1	WASHER, THRUST, 55.1 x 89 x 1
15	28042510	2	BEARING, BALL, 50 x 90 x 18
16	5179172	1	SHIM, M55.1/55.3 x 62 x 10.500,
17	5179113	1	GEAR,
18	5131232	4	SEALRING,
19	5185208	1	SLEEVE,
20	14455080	2	O-RING, -033, 70 Duro, 1.989" ID x .070" Thk,
21	5187264	1	BEARING, ROLLER, TAPERED, 55 x 90 x 23
22	5172206	1	NUT, RING, M50 x 1.5 x 20



MXM155 CASE IH TRACTOR (6/02- )

1.32.1/03(06) (VAR.281) FULL POWER-SHIFT TRANS. 18X6 (40 KPH-4WD) AND 17X6 (30 KPH) - CENTRAL REDUCTION GEARS

сылка	Номер детали	Кол-во	Описание
1	11059776	1	RING, SNAP, M38, Int,
2	5176850	1	SLEEVE,
3	5147930	1	NUT, RING, M45 x 1.5 x 17
4	5138727	1	BEARING, ROLLER, TAPERED, 45 x 100 x 27.25
5	5163666	1	GEAR, DRIVING, 4WD
6	5145129	1	SPACER, 55 x 70 x 42.5
7	5111271	1	BEARING, ROLLER, TAPERED,
8	5185558	1	SPACER, 55 x 74 x 79
9	5162572	1	GEAR SET, Ring & Pinion, (Ratio 10/43)

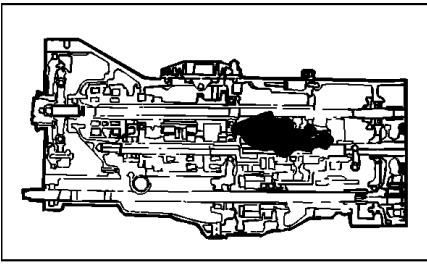


## MXM155 CASE IH TRACTOR (6/02- )

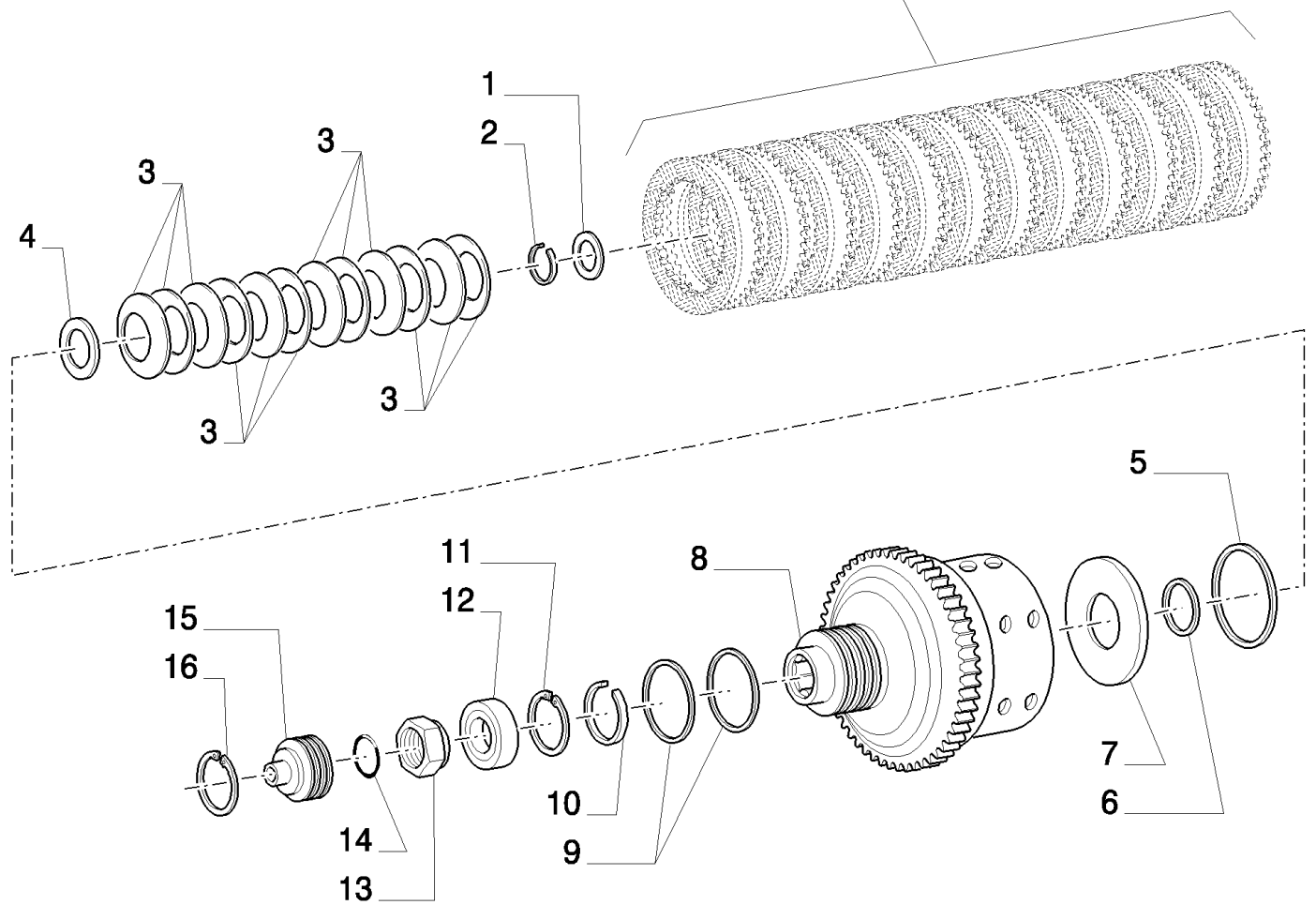
## 1.32.1/03(07) (VAR.281) FULL POWER-SHIFT TRANS. 18X6 (40 KPH-4WD) AND 17X6 (30 KPH) - CENTRAL REDUCTION GEARS

сылка	Номер детали	Кол-во	Описание
1	81865152	1	SEAL,
2	5185166	1	GEAR,
3	5185165	1	SPACER, 55.1/55.3 x 64 x 28
4	28042510	2	BEARING, BALL, 55 x 90 x 18
5	5183706	2	WASHER, THRUST, 55.1 x 89 x 1
6	5187839	1	SPACER, 55.1/55.3 x 64 x 9.5
7	5185575	1	BEARING, ROLLER, 55 x 100 x 25
8	5185169	1	SHAFT,
9	5172232	1	KIT, Clutch Plates
10	5179115	1	DISC,
11	5162251	1	RING, LOCKING,
12	5179124	1	RING, LOCKING,
13	5187838	1	SPACER, 46.1/46.3 x 68 x 5.5
14	14238024	2	BOLT, Hex Lock, M8 x 20,
15	5179133	1	PLATE,
16	5172246	1	PIN,
17	20915780	2	BEARING, BALL, 40 x 80 x 18
18	5179293	1	GEAR,





PAG. 7

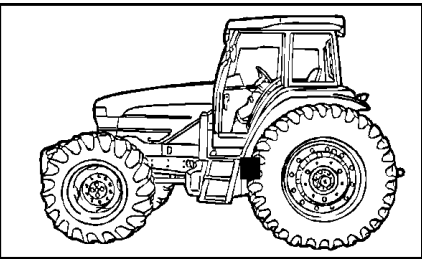


## MXM155 CASE IH TRACTOR (6/02- )

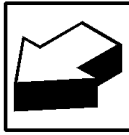
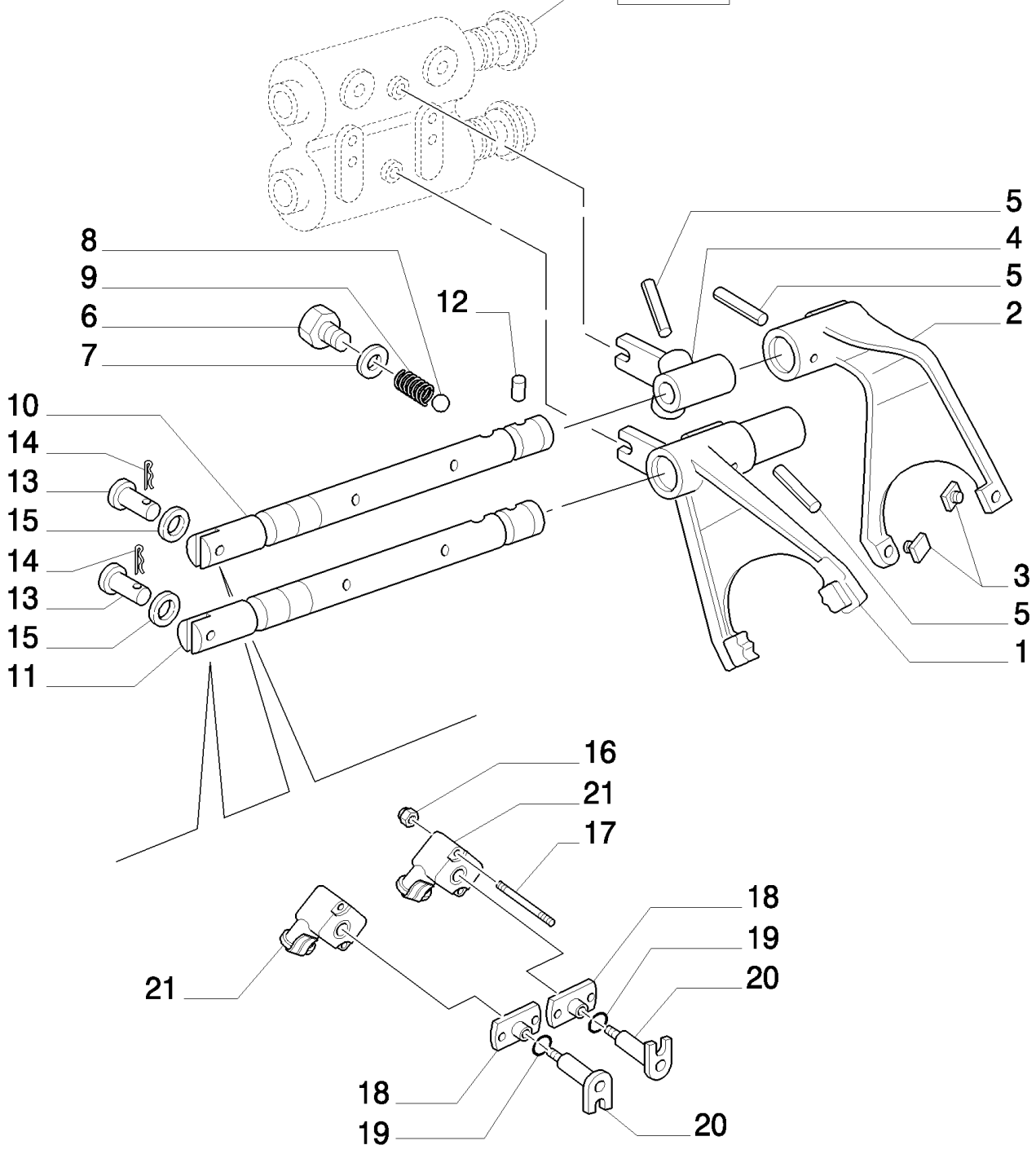
## 1.32.1/03(08) (VAR.281) FULL POWER-SHIFT TRANS. 18X6 (40 KPH-4WD) AND 17X6 (30 KPH) - CENTRAL REDUCTION GEARS

сылка	Номер детали	Кол-во	Описание
1	5164928	1	RING,
2	5175981	1	RING, LOCKING,
3	5177755	12	SPRING, , -C5486
3	87547948	12	SPRING, , D5486-
4	5187837	1	RING, 61 x 85.055/85.070 x 3, -C5486
4	87547832	1	RING, , D5486-
5	5172302	1	GASKET,
6	5162252	1	GASKET,
7	5187424	1	PISTON,
8	5185370	1	HUB, , -C5051
8	87303631	1	HUB, , D5051-
9	5131232	2	SEALRING,
10	13398976	1	RING, SNAP, M40, Int,
11	11062476	1	RING, SNAP, M90, Int,
12	20943310	1	BEARING, BALL, 40 x 90 x 23
13	5119147	1	NUT, M40 x 1.5 x 19.5
14	14460980	1	O-RING, -151, 70 Duro, 2.987" ID x .103" Thk,
15	5172255	1	COVER,
16	11062076	1	RING, SNAP, M82, Int,

1.32.2(01) CENTRAL REDUCTION GEAR CONTROLS



PAG.4

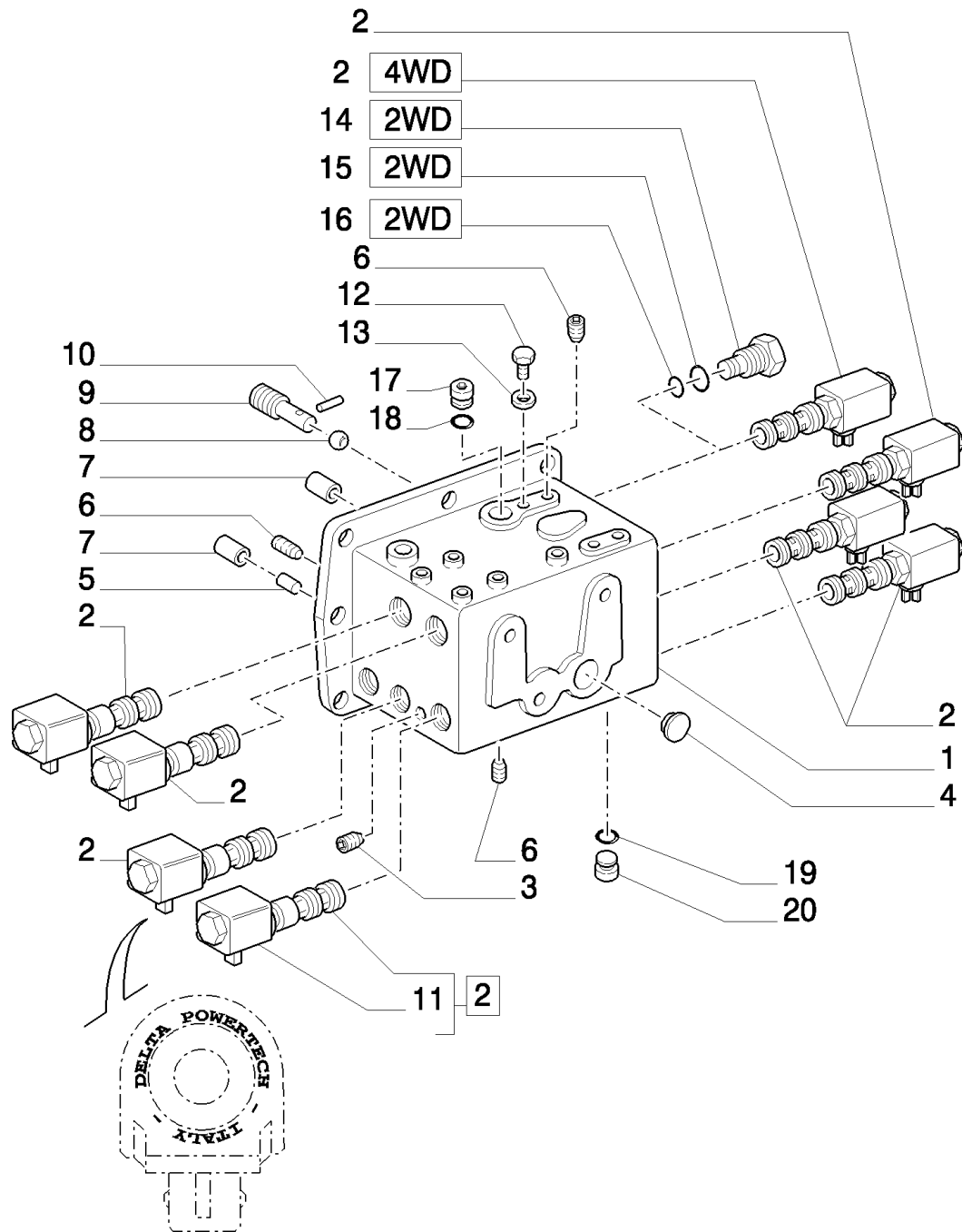
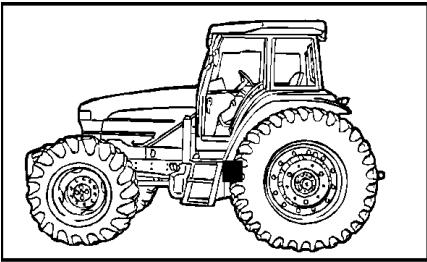


## MXM155 CASE IH TRACTOR (6/02- )

## 1.32.2(01) CENTRAL REDUCTION GEAR CONTROLS

сылка	Номер детали	Кол-во	Описание
1	5180055	1	FORK, SHIFTER,
2	5180050	1	FORK, SHIFTER,
3	5152539	2	PAD, SLIDING,
4	5180052	1	DOG,
5	14607270	3	PIN, LOCK, M8 x 40, Slotted,
6	11903114	2	PLUG, M10 x 1.25 x 11,
7	4858606	2	GASKET,
8	20063390	2	BALL,
9	4994342	2	SPRING,
10	5164814	1	SHIFT RAIL,
11	5164809	1	SHIFT RAIL,
12	5149882	1	PAWL,
13	5178808	2	PIN,
14	10734201	2	PIN, SPLIT (COTTER), M2 x 12,
15	17094714	2	WASHER, LOCK, M6 x 12.5
16	12574111	4	NUT, LOCK, M5 x .8, CI 8,
17	82014252	4	STUD,
18	5178541	2	PLATE,
19	14456981	2	O-RING, -111, CI 7, .424" ID x .103" Thk,
20	5178335	2	SHAFT,
21	87559692	2	POTENTIOMETER, Synchro Position

1.32.2(02) CENTRAL REDUCTION GEAR CONTROLS - SOLENOIDS

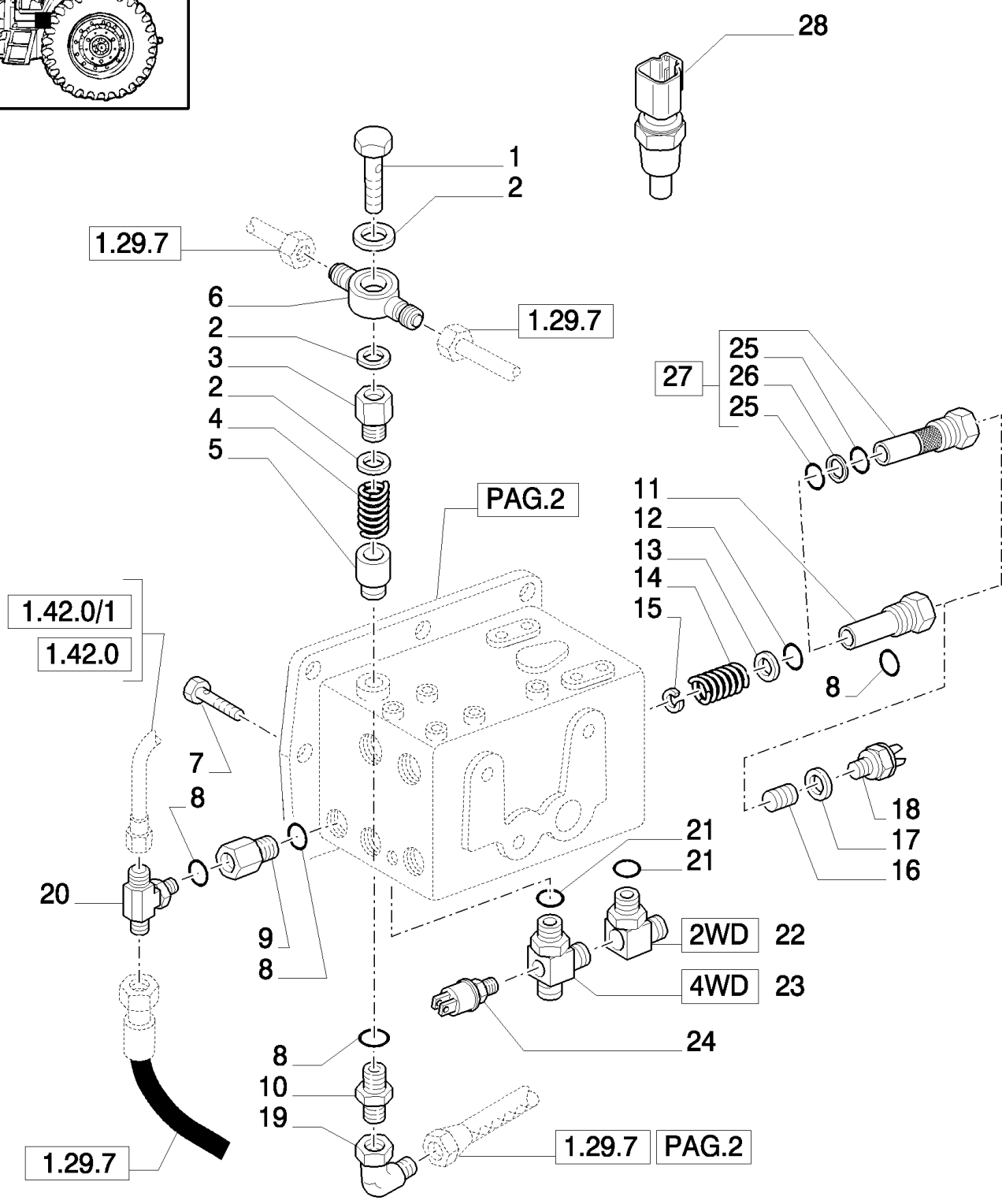
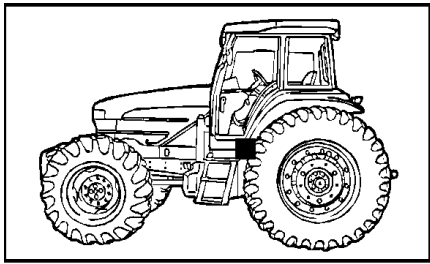


## MXM155 CASE IH TRACTOR (6/02- )

## 1.32.2(02) CENTRAL REDUCTION GEAR CONTROLS - SOLENOIDS

сылка	Номер детали	Кол-во	Описание
1	5178478	1	SUPPORT, (Incl. 3, 4, 5, 6, 7) , Incl. "Valve/Spool = NSS"
2	5168052	AR	VALVE, SOLENOID, Solenoid W/Diode, Qty 7 for 2WD, Qty 8 for 4WD
3	10269404	1	PLUG, M12 x 1.5
4	14328801	1	PLUG, M22, Tapered,
5	10839710	2	DOWEL, M10 x 15
6	14326004	12	PLUG, M10 x 1.25
7	5120207	2	BUSHING,
8	20063430	1	BALL,
9	5170016	1	SCREW, M12 x 1.25 x 25
10	14158370	1	PIN, LOCK, M2 x 8, Slotted,
11	9970157	AR	COIL,
12	11903011	4	PLUG, M10 x 1 x 11, CI5.8,
13	4858606	4	GASKET,
14	5154967	1	PLUG, 2WD
15	14438085	1	O-RING, 19.3MM ID x 2.4 Thk, 2WD
16	14453280	1	O-RING, -015, 70 Duro, .551" ID x .070" Thk, 2WD
17	10119311	1	PLUG, M16 x 1.5 x 12, CI5.8,
18	14437885	1	O-RING, 13.3MM ID x 2.4 Thk,
19	14437985	1	O-RING, 15.3MM ID x 2.4 Thk, 2WD
20	10119414	1	PLUG, M18 x 1.5 x 16, 2WD

1.32.2(03) CENTRAL REDUCTION GEAR CONTROLS



## MXM155 CASE IH TRACTOR (6/02- )

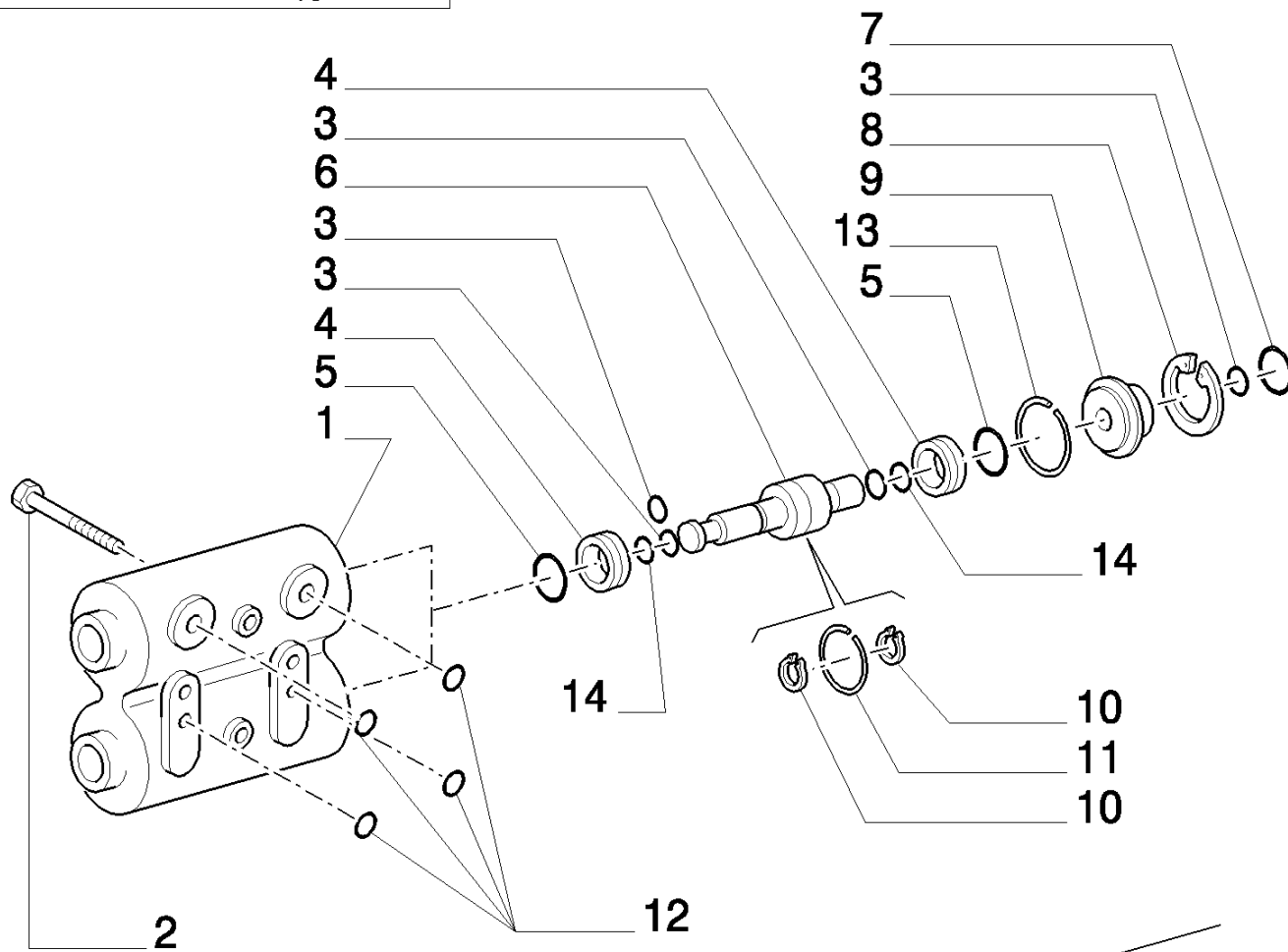
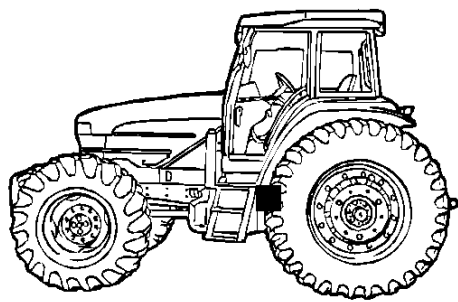
## 1.32.2(03) CENTRAL REDUCTION GEAR CONTROLS

сылка	Номер детали	Кол-во	Описание
1	10182617	1	BOLT, BANJO, M20 x 1.5 x 36,
2	98429280	3	GASKET,
3	5164949	1	CONNECTOR, HYD.,
4	5159185	1	SPRING,
5	5169565	1	VALVE, BY-PASS, Hydr. By-Pass
6	5167927	1	CONNECTOR, HYD.,
7	16204524	8	BOLT, Hex, M10 x 35,
8	14438085	4	O-RING, 19.3MM ID x 2.4 Thk,
9	5165659	1	CONNECTOR, HYD.,
10	5158803	1	CONNECTOR, HYD.,
11	5178518	1	PLUG, , -C4881
12	5146468	1	O-RING, -113, CI 9, .549" ID x .103" Thk,
13	12637804	AR	WASHER, M5 x 11 x 1,
14	5157119	1	SPRING,
15	13397776	1	RING, SNAP, M16, Int,
16	5166873	1	SCREW, M8 x 10, -C4881
16	NSS	1	NOT SERVICED SEPARATELY, , D4881-
17	4858607	1	WASHER, COPPER,
18	82031395	1	SWITCH, PRESSURE, Trans. Oil
19	5155622	1	ELBOW,
20	5155514	1	TEE,
21	14437885	1	O-RING, 13.3MM ID x 2.4 Thk,
22	5170940	1	ELBOW, 2WD
23	5170941	1	TEE, 4WD
24	82008236	1	SWITCH, PRESSURE, Trans. Oil, 51 mm L.
25	5196684	2	BACK-UP RING, , D4881-
26	14457181	1	O-RING, -113, CI 7, .549" ID x .103" Thk, , D4881-
27	47135285	1	PLUG, , D4881-
	NSS		NOT SERVICED SEPARATELY, , "Valve / Spool = NSS, - it is included in Support 5178478"
28	87564690	1	SENSOR, Transmission Temperature, D5444-

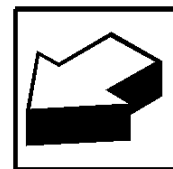
5178518=47135285+5196684+14457181□D4881 After Date 30/01/2004□D5444 After Date 01 August 2006



1.32.2(04) CENTRAL REDUCTION GEAR CONTROLS



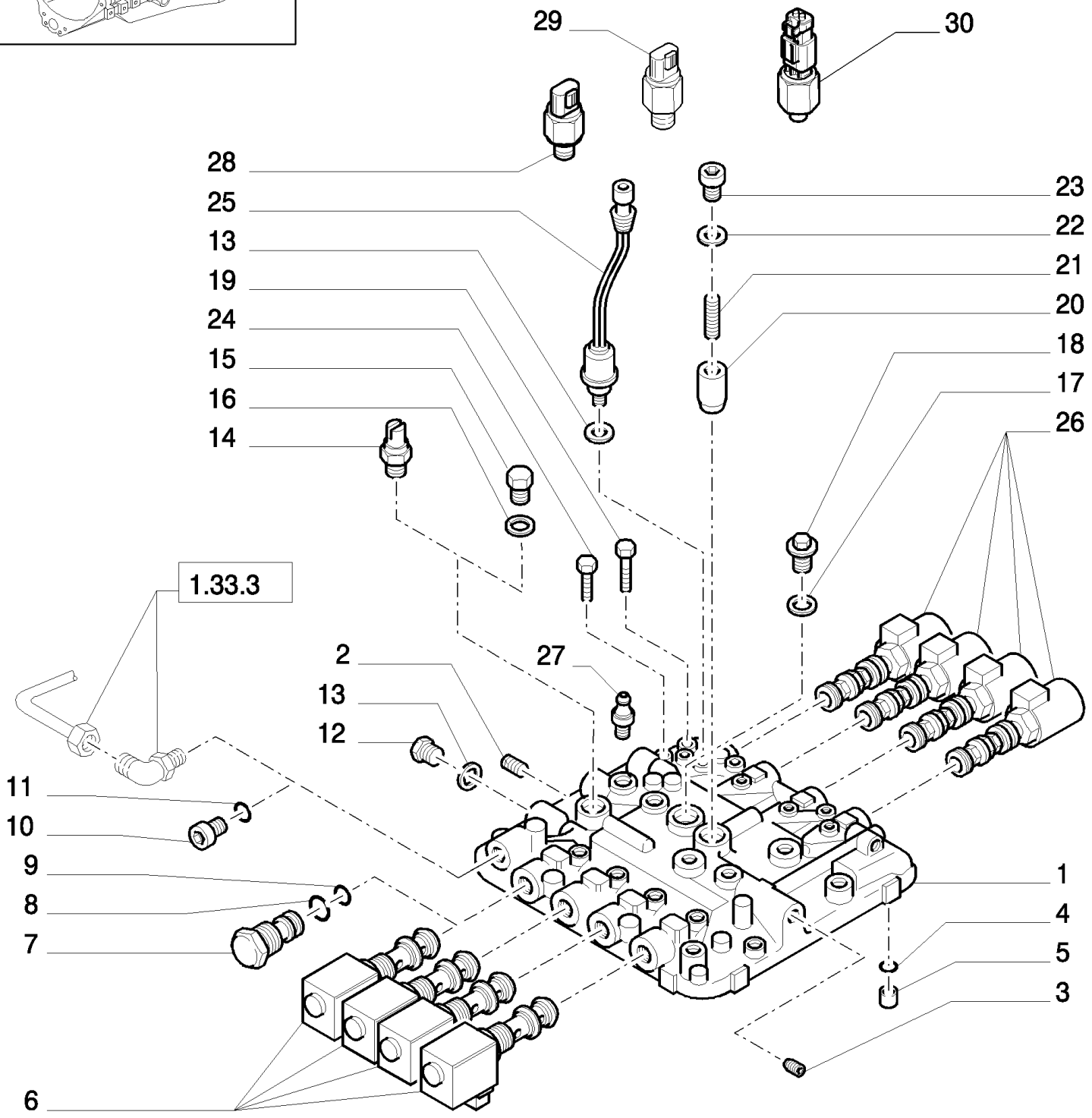
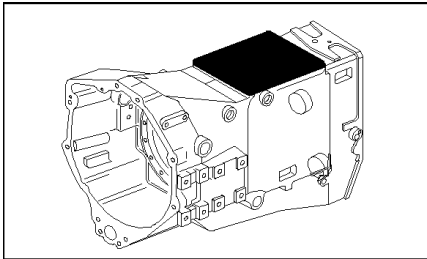
PAG.2



## MXM155 CASE IH TRACTOR (6/02- )

## 1.32.2(04) CENTRAL REDUCTION GEAR CONTROLS

сылка	Номер детали	Кол-во	Описание
1	5169152	1	BODY,
2	16324624	2	BOLT, Hex, M10 x 1.25 x 90,
3	14457581	2	O-RING, -117, CI 7, .799" ID x .103" Thk,
4	5169154	AR	RING,
5	5164866	4	SEAL,
6	5177563	2	PISTON,
7	14459480	2	O-RING, -136, 90 Duro, 1.987" ID x .103" Thk,
8	11060975	2	RING, SNAP, M60, Int,
9	5169155	2	PLUG,
10	11066876	2	RING, SNAP, M20, Ext,
11	13399076	2	RING,
12	14456881	4	O-RING, -110, CI 7, .361" ID x .103" Thk,
13	5164877	2	RING,
14	5135735	2	O-RING, -017, CI 9, .676" ID x .070" Thk,

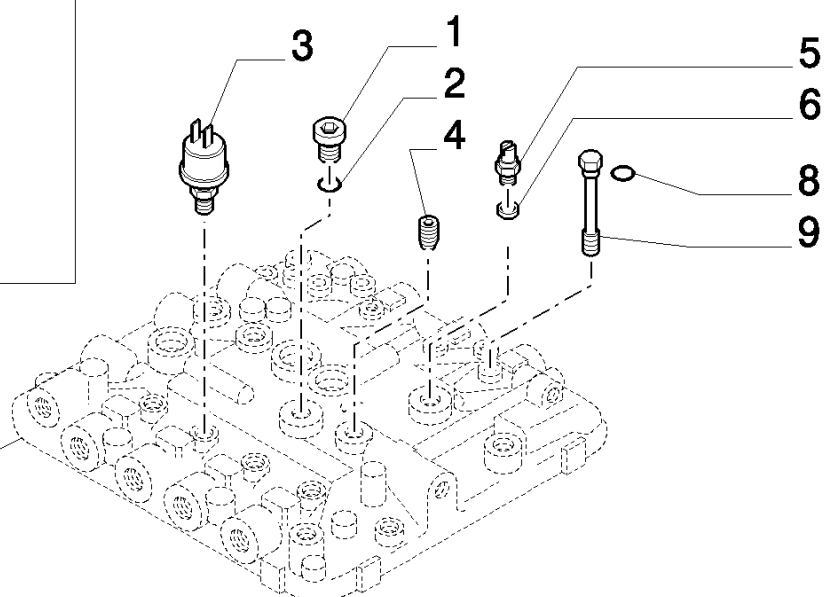
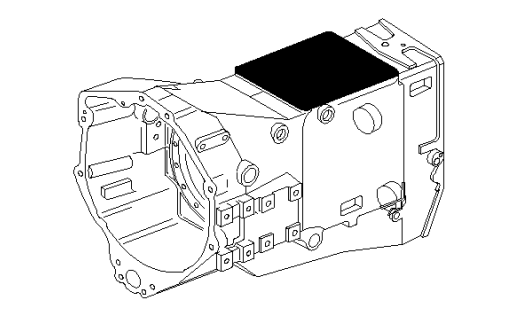


## MXM155 CASE IH TRACTOR (6/02- )

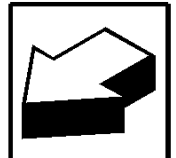
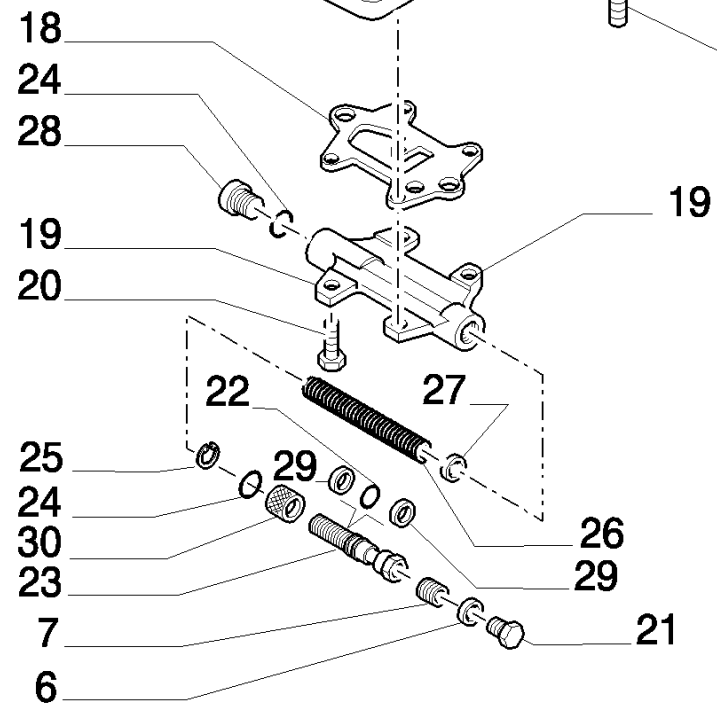
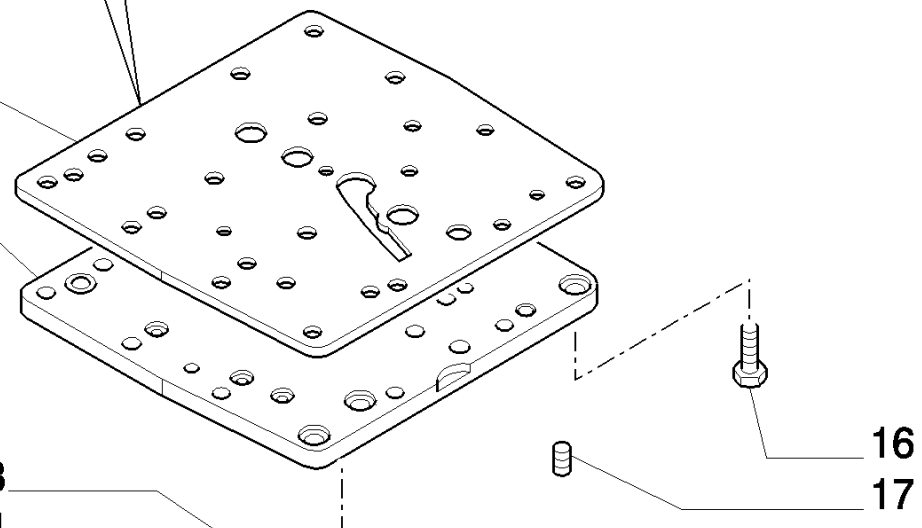
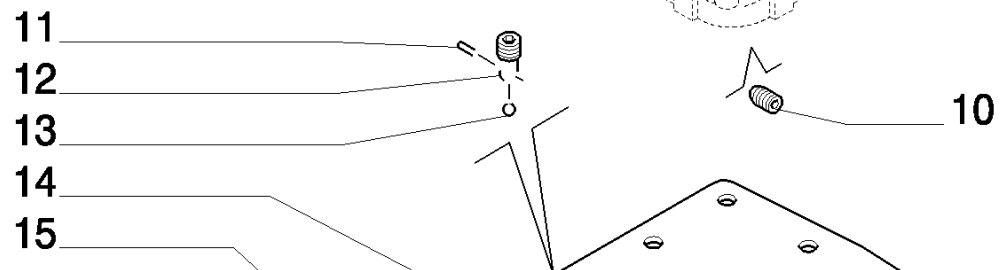
1.32.2/04(01) (VAR.281) FULL POWER-SHIFT TRANS. 18X6 (40 KPH-4WD) AND 17X6 (30 KPH) - CENTRAL REDUCT.GEAR CTRL

сылка	Номер детали	Кол-во	Описание
1	5185151	1	COVER,
2	14326004	2	PLUG, M10 x 1.25
3	14328401	1	PLUG, M14, Tapered,
4	14457281	3	O-RING, -114, CI 7, .612" ID x .103" Thk,
5	5178778	3	BUSHING,
6	5168052	AR	VALVE, SOLENOID, Solenoid W/Diode, 2WD Qty = 3; 4WD Qty = 4
7	5154967	1	PLUG, 2WD
8	14438085	1	O-RING, 19.3MM ID x 2.4 Thk,
9	14453280	1	O-RING, -015, 70 Duro, .551" ID x .070" Thk,
10	10119414	1	PLUG, M18 x 1.5 x 16,
11	14437985	1	O-RING, 15.3MM ID x 2.4 Thk,
12	11903011	2	PLUG, M10 x 1 x 11, CI5.8,
13	10260960	6	WASHER, COPPER, M10.2 x 14 x 1.5,
14	82031395	1	SWITCH, PRESSURE, Trans. Oil
15	10300511	1	PLUG, M12 x 1.5 x 12, CI5.8, 2WD
16	4858607	1	WASHER, COPPER,
17	98429280	1	GASKET,
18	10305811	1	PLUG, M20 x 1.5 x 19, CI5.8,
19	11343724	4	BOLT, Hex, M10 x 1.25 x 65, 8.8,
20	5187494	1	VALVE, BY-PASS, By-Pass
21	5176720	1	SPRING,
22	10262160	1	WASHER, SEALING, M28.4 x 34 x 2, Copper,
23	10278301	1	PLUG, M28 x 1.5 x 11, Brass,
24	16044024	5	BOLT, Hex, M8 x 40, 8.8,
25	82028154	4	SWITCH, PRESSURE, 10mm thread, BSN ACM247564
26	87537516	4	VALVE, SOLENOID, Solenoid, Proportional Pressure
27	82028133	1	SENDER UNIT, Trans. Temp.
28	87308215	4	SWITCH, PRESSURE, Transmission Oil, ACM247565-C5361
29	87533796	4	SWITCH, PRESSURE, Transmission Oil, MXM175-MXM190, D5361-C5444
30	87564681	4	SWITCH, PRESSURE, Transmission Oil, MXM175, MXM190, D5444-
30	87564683	4	SWITCH, PRESSURE, Transmission Oil, MXM120, MXM130, MXM140, MXM155, D5444-

D4993 Serial N.ACM247565□D5361 After Date 04 April 2006□D5444 After Date 01 August 2006



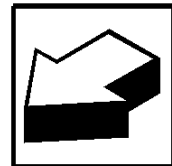
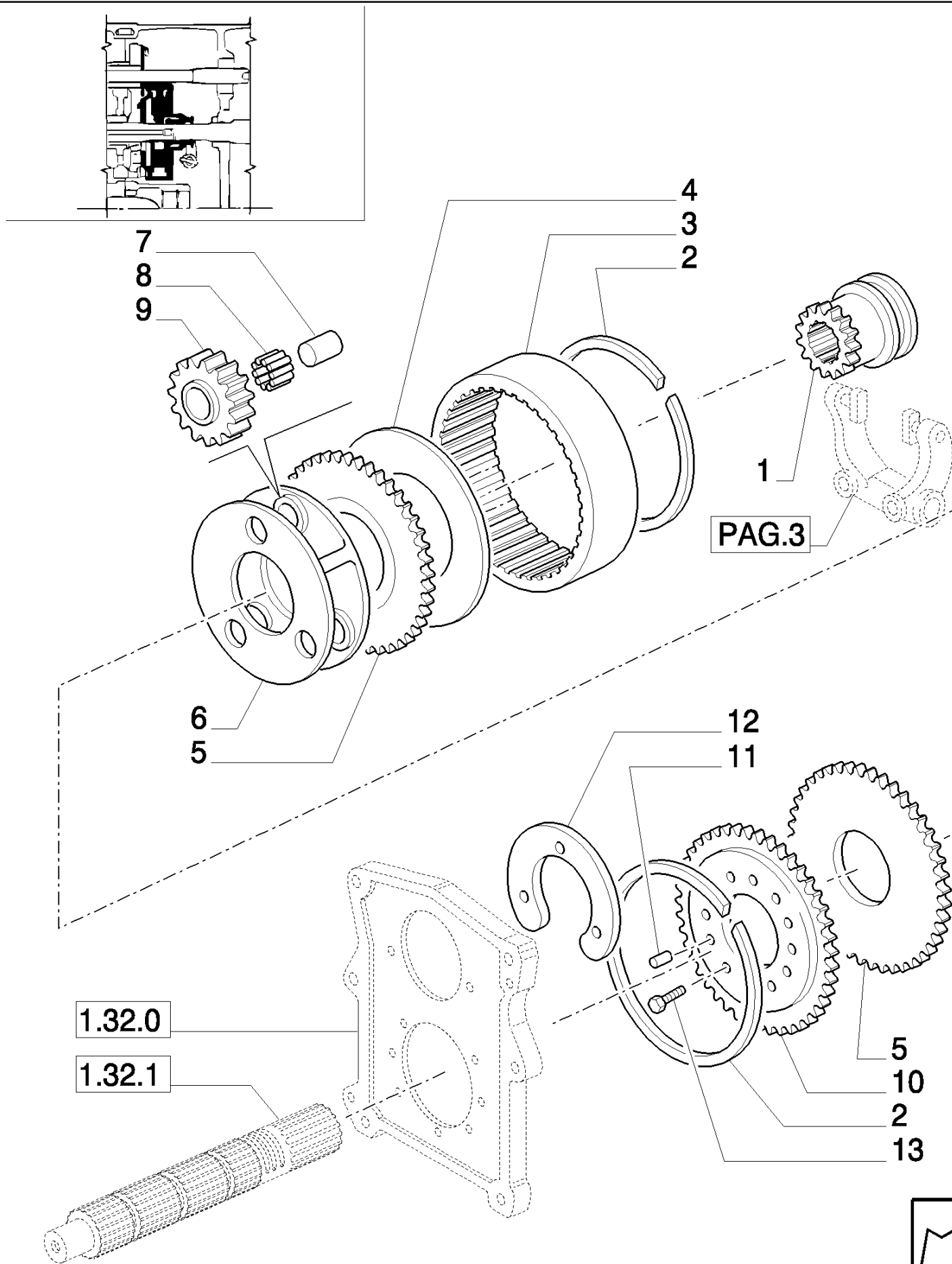
PAG.1



## MXM155 CASE IH TRACTOR (6/02- )

1.32.2/04(02) (VAR.281) FULL POWER-SHIFT TRANS. 18X6 (40 KPH-4WD) AND 17X6 (30 KPH) - CENTRAL REDUCT.GEAR CTRL

сылка	Номер детали	Кол-во	Описание
1	10119311	1	PLUG, M16 x 1.5 x 12, CI5.8,
2	14437885	1	O-RING, 13.3MM ID x 2.4 Thk,
3	82008236	1	SWITCH, PRESSURE, Trans. Oil, 51 mm L.
4	14324011	1	PLUG, M10 x 1
5	82031395	1	SWITCH, PRESSURE, Trans. Oil
6	4858607	2	WASHER, COPPER,
7	5166873	1	SCREW, M8 x 10
8	14437685	2	O-RING, 9.3MM ID x 2.4 Thk,
9	5176696	2	SCREW, M10 x 1.25 x 78
10	5171508	1	RESTRICTOR, M6 x 8
11	5170016	1	SCREW, M12 x 1.25 x 25
12	14158370	1	PIN, LOCK, M2 x 8, Slotted,
13	20063430	1	BALL,
14	5185190	1	GASKET,
15	5185250	1	PLATE,
16	16043411	3	BOLT, Hex, M8 x 20, 5.8, Full Thd,
16	16043624	2	BOLT, Hex, M8 x 25, 8.8, Full Thd,
17	5153109	2	DOWEL, M10 x 15
18	5185195	1	GASKET,
19	5185202	1	SUPPORT,
20	15971321	2	BOLT, Hex, M10 x 75, 8.8,
21	10300511	1	PLUG, M12 x 1.5 x 12, CI5.8,
22	5146468	1	O-RING, -113, CI 9, .549" ID x .103" Thk,
23	47131638	1	PLUG, Incl. 22, 29, 30
24	14438085	2	O-RING, 19.3MM ID x 2.4 Thk,
25	13397776	1	RING, SNAP, M16, Int,
26	5157119	1	SPRING,
27	12637804	1	WASHER, M5 x 11 x 1,
28	10118811	1	PLUG, M22 x 1.5 x 14, CI5.8,
29	5196684	2	BACK-UP RING, 14.66 x 19.02 x 1.14
30	5196685	1	FILTER,

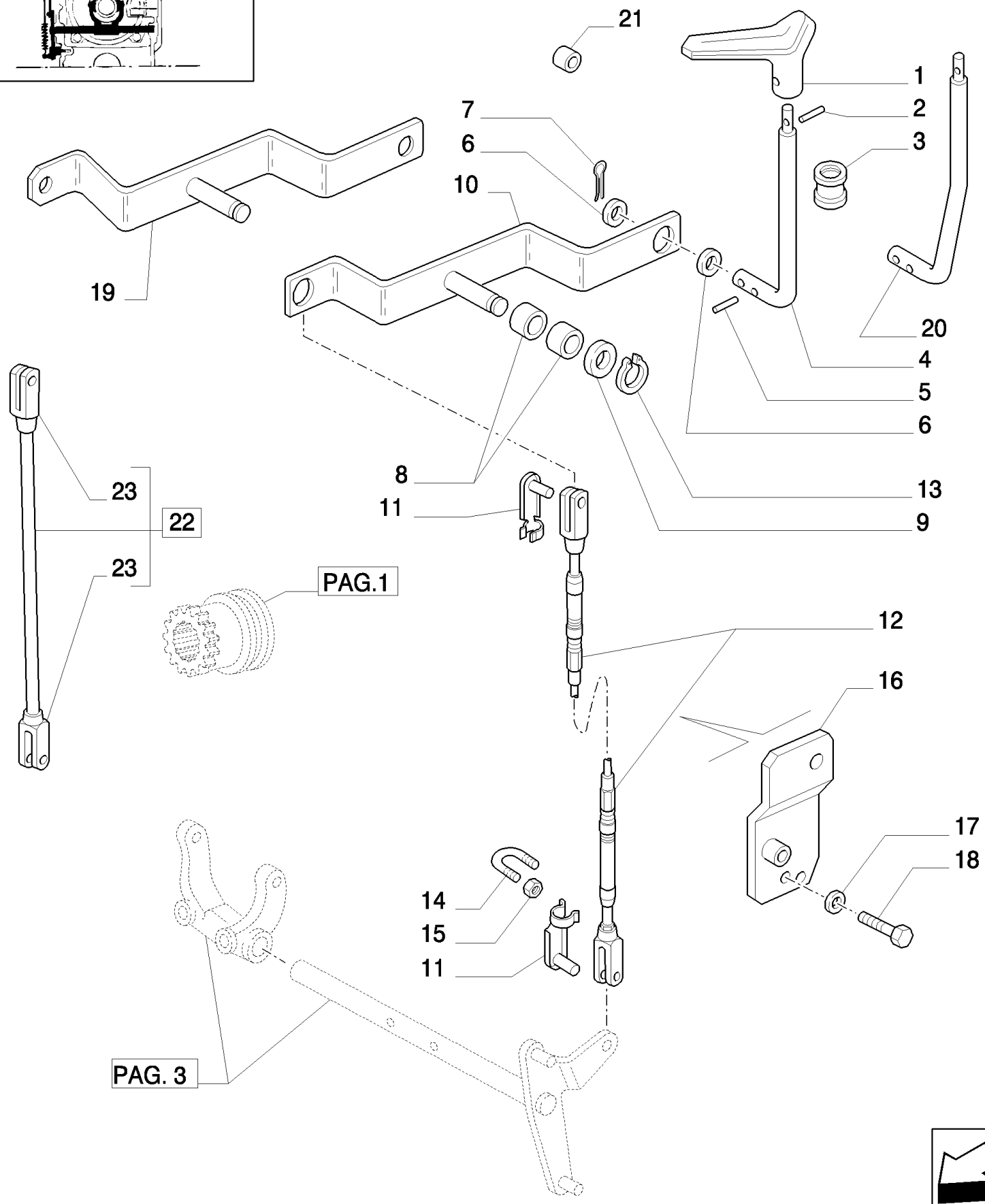
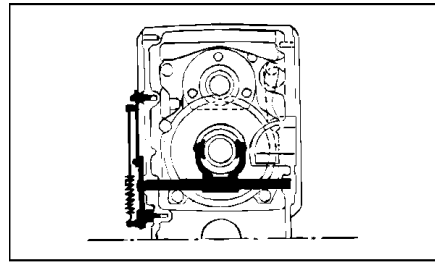


MXM155 CASE IH TRACTOR (6/02- )

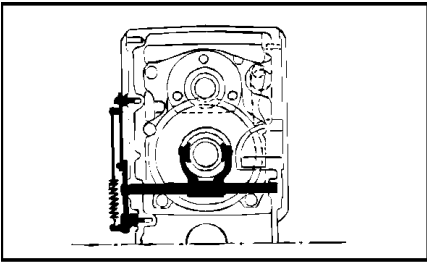
1.32.3/01(01) (VAR.117) CREEPER TRANSMISSION FOR SEMI POWER SHIFT - CONTROL REDUCTION

сылка	Номер детали	Кол-во	Описание
1	5153484	1	GEAR,
2	5146472	2	RING,
3	5146473	1	GEAR, RING,
4	5146477	1	DISC,
5	5146478	2	RING,
6	5153507	1	SUPPORT,
7	5132286	3	PIN,
8	5132285	3	BEARING, ROLLER, 19.24 x 27.24 x 21.8
9	5146474	3	GEAR,
10	5164774	1	GEAR, DRIVEN,
11	10799310	2	DOWEL,
12	5164771	1	PLATE,
13	14233624	8	BOLT, Hex, M10 x 1.25 x 30,

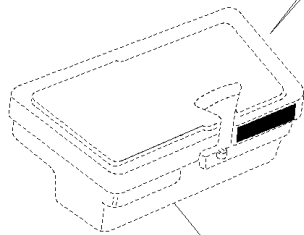




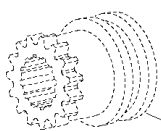
сылка	Номер детали	Кол-во	Описание
1	5167353	1	HANDLE GRIP,
2	13904871	1	PIN, ROLL, M4 x 24, Coiled,
3	81865572	1	GROMMET,
4	82001009	1	ROD, , -C5367
5	82000865	1	PIN,
6	83909861	2	WASHER, Hardened, G8, 1/2"
7	80080756	1	PIN, SPLIT (COTTER), 1/8" x 3/4"
8	83904673	2	BUSHING,
9	14496704	1	WASHER, 12 x 24 x 2.5 mm
10	82019161	1	LEVER,
11	82016493	2	PIN, Spring
12	82019383	1	CABLE,
13	11088171	1	RING, SNAP, M11,
14	82019224	2	CLAMP,
15	16104414	4	NUT, M8 x 1.25,
16	82027384	1	BRACKET,
17	14496721	2	WASHER, M12 x 24 x 2.5,
18	15540424	2	BOLT, Hex, M12 x 1.25 x 30, 8.8, Full Thd,
19	82020895	1	, D5367-
20	82034645	1	, D5367-
21	5111954	2	BUSHING, , D5367-
22	82034643	1	ROD, , D5367-
23	5148659	2	CLEVIS, , D5367-



16

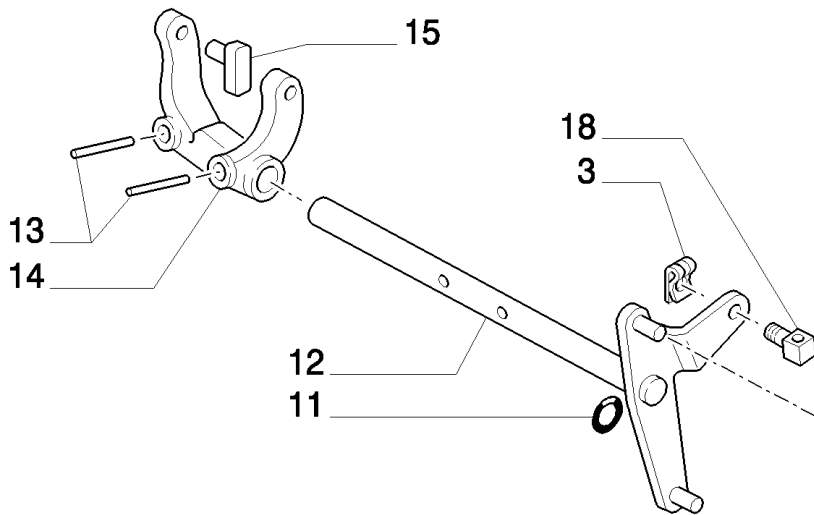


1.93.0



PAG.1

PAG. 2

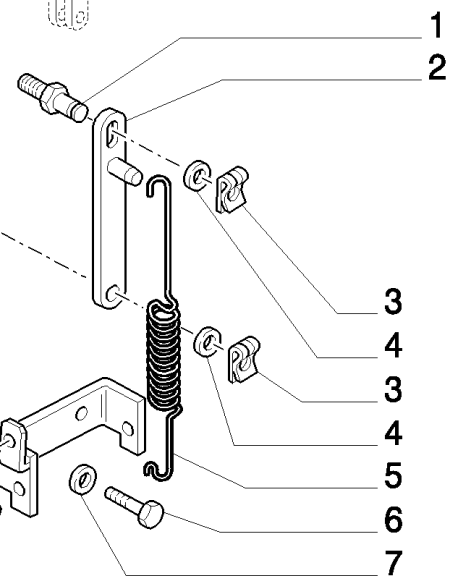


13  
14

12  
11

18  
3

10  
9  
8  
17



1  
2

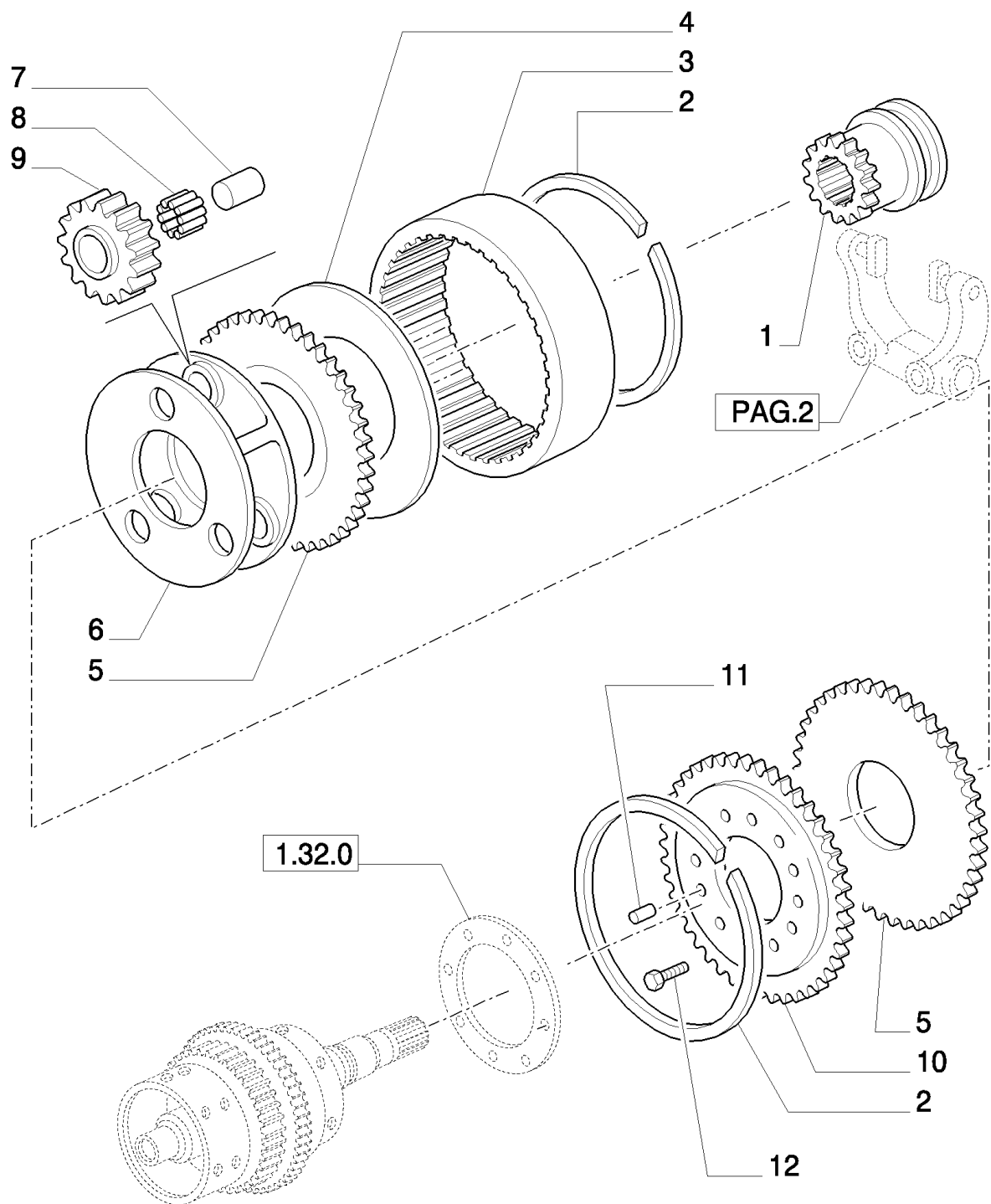
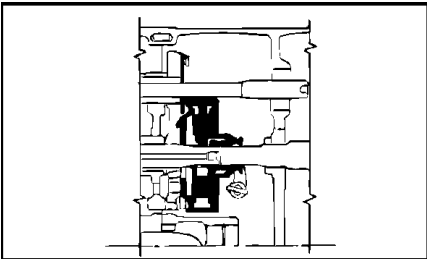
3  
4  
3  
4  
5  
6  
7



## MXM155 CASE IH TRACTOR (6/02- )

## 1.32.3/01(03) (VAR.117-448) CREEPER TRANSMISSION FOR SEMI POWER SHIFT - CONTROL REDUCTION

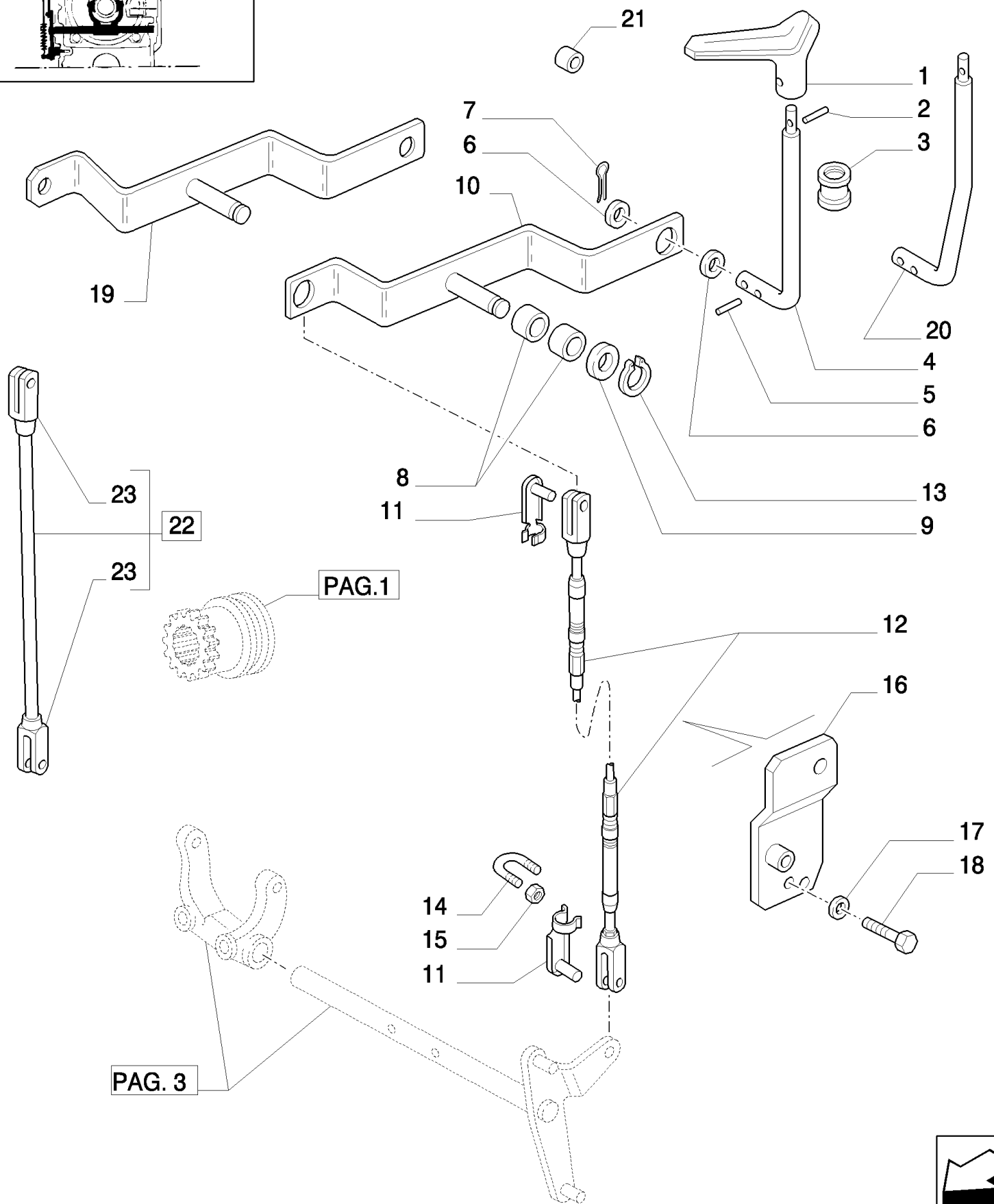
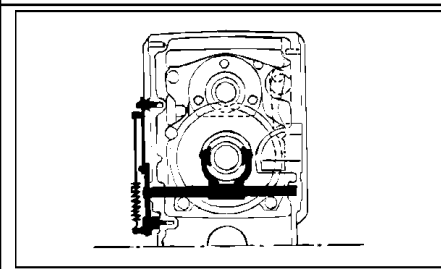
сылка	Номер детали	Кол-во	Описание
1	5142898	1	SCREW,
2	5129246	1	LEVER,
3	11064176	3	CLIP, M10 x 8 x 1.05
4	14499504	2	WASHER,
5	5176852	1	SPRING,
6	16043424	2	SCREW, Hex, M8 x 20, 8.8, Full Thd,
7	11193874	2	WASHER, SPRING, Belleville, M8.4,
8	16043824	2	BOLT, Hex, M8 x 30, 8.8, Full Thd,
9	16100814	2	NUT, M8, CI 8,
10	5166263	1	SUPPORT,
11	14457280	1	O-RING, -114, 70 Duro, .612" ID x .103" Thk,
12	5176851	1	LEVER,
13	14607270	2	PIN, LOCK, M8 x 40, Slotted,
14	5148321	1	LEVER,
15	5152826	2	PAD, SLIDING,
16	82018362	1	DECAL,
17	82014330	1	SWITCH ASSY,
18	5143043	1	PIN,



MXM155 CASE IH TRACTOR (6/02- )

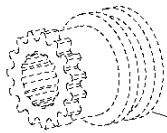
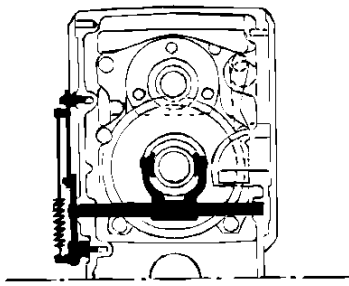
1.32.3/02(01) (VAR.146) CREEPER TRANSMISSION FOR FULL POWER SHIFT - CONTROL REDUCTION

сылка	Номер детали	Кол-во	Описание
1	5153484	1	GEAR,
2	5146472	2	RING,
3	5146473	1	GEAR, RING,
4	5146477	1	DISC,
5	5146478	2	RING,
6	5153507	1	SUPPORT,
7	5132286	3	PIN,
8	5132285	3	BEARING, ROLLER, 19.24 x 27.24 x 21.8
9	5146474	3	GEAR,
10	5164774	1	GEAR, DRIVEN,
11	10799310	2	DOWEL,
12	14233424	8	BOLT, Hex, M10 x 1.25 x 25,

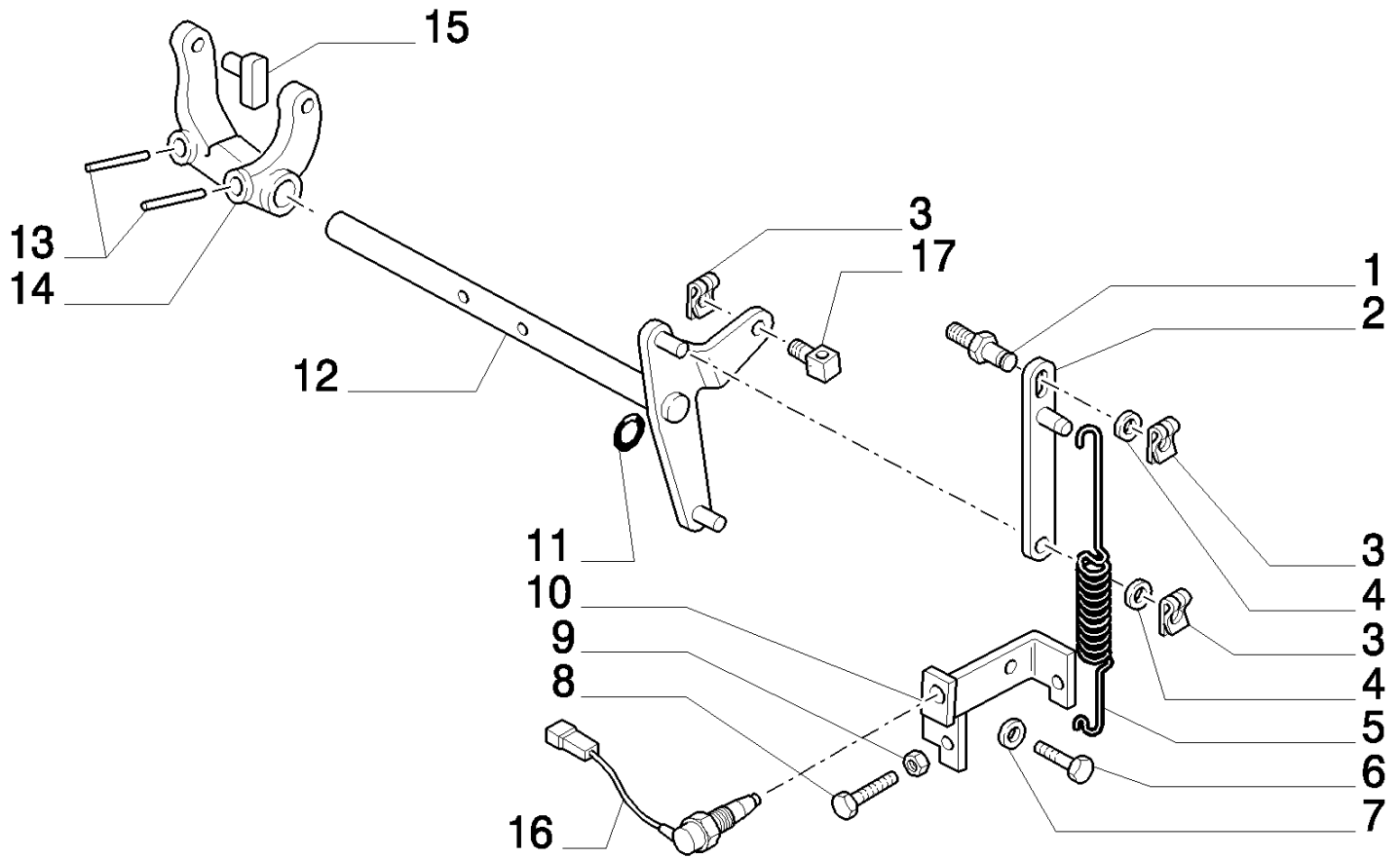


сылка	Номер детали	Кол-во	Описание
1	5167353	1	HANDLE GRIP,
2	13904871	1	PIN, ROLL, M4 x 24, Coiled,
3	81865572	1	GROMMET,
4	82001009	1	ROD, , -C5367
5	82000865	1	PIN,
6	83909861	2	WASHER, Hardened, G8, 1/2"
7	80080756	1	PIN, SPLIT (COTTER), 1/8" x 3/4"
8	83904673	2	BUSHING,
9	14496704	1	WASHER, 12 x 24 x 2.5 mm
10	82019161	1	LEVER, , -C5397
11	82016493	2	PIN,
12	87351308	1	CABLE,
13	11088171	1	RING, SNAP, M11,
14	82019224	2	CLAMP,
15	16104414	4	NUT, M8 x 1.25,
16	82027384	1	BRACKET,
17	14496721	2	WASHER, M12 x 24 x 2.5,
18	15540424	2	BOLT, Hex, M12 x 1.25 x 30, 8.8, Full Thd,
19	82020895	1	, D5397-
20	82034645	1	, D5367-
21	5111954	2	BUSHING, , D5367-
22	82034643	1	ROD, , D5367-
23	5148659	2	CLEVIS, , D5367-





PAG.1

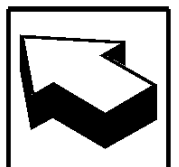
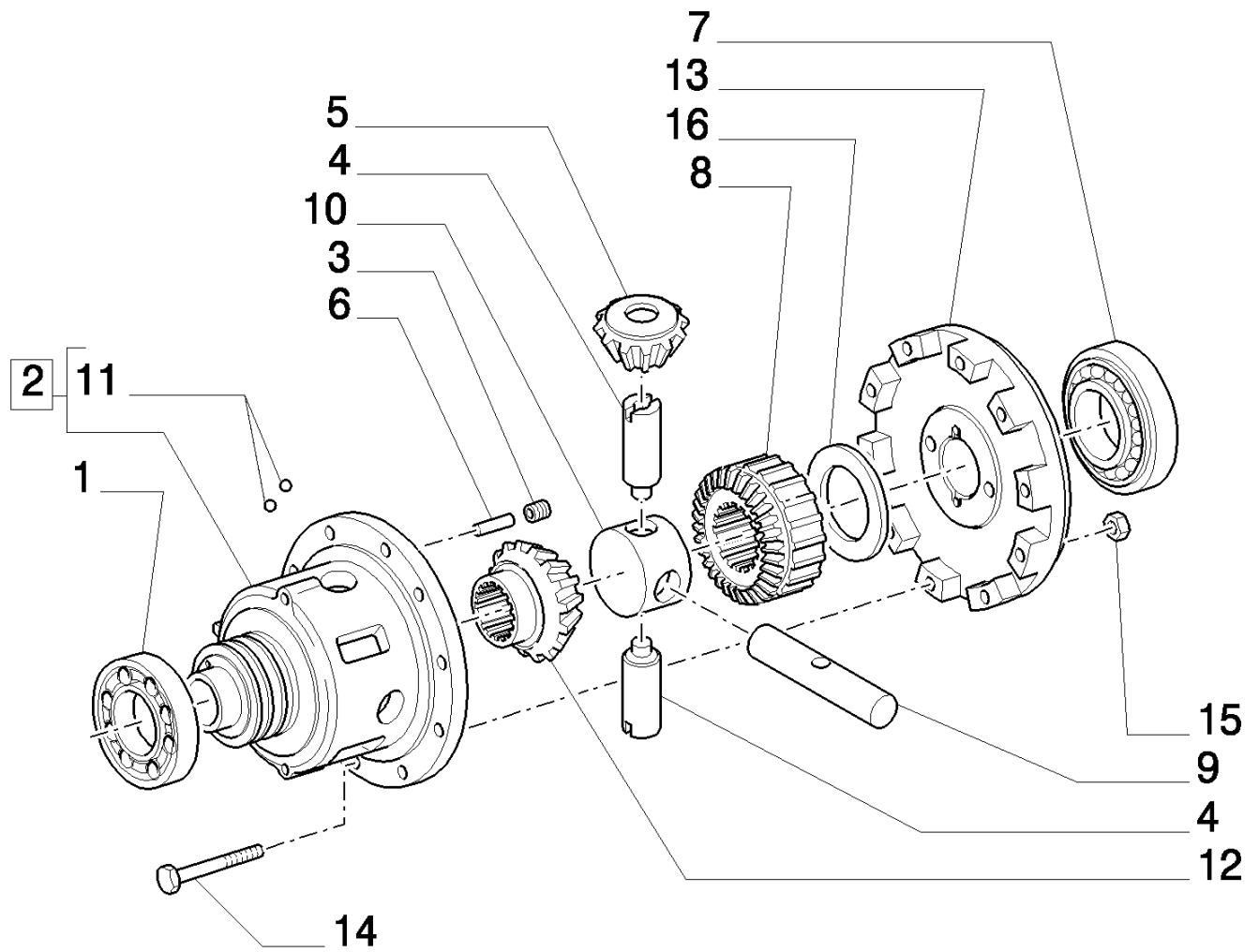
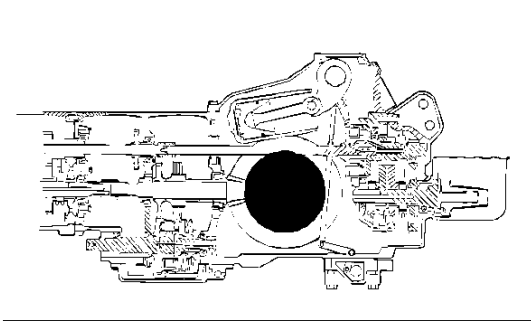


## MXM155 CASE IH TRACTOR (6/02- )

## 1.32.3/02(03) (VAR.146) CREEPER TRANSMISSION FOR FULL POWER SHIFT - CONTROL REDUCTION

сылка	Номер детали	Кол-во	Описание
1	5142898	1	SCREW,
2	5129246	1	LEVER,
3	11064176	3	CLIP, M10 x 8 x 1.05
4	14499521	2	WASHER,
5	5176852	1	SPRING,
6	16043424	2	SCREW, Hex, M8 x 20, 8.8, Full Thd,
7	11193874	2	WASHER, SPRING, Belleville, M8.4,
8	16043824	2	BOLT, Hex, M8 x 30, 8.8, Full Thd,
9	16100811	2	NUT, M8, CI 8,
10	5166263	1	SUPPORT,
11	14457281	1	O-RING, -114, CI 7, .612" ID x .103" Thk,
12	5176851	1	LEVER,
13	14607270	2	PIN, LOCK, M8 x 40, Slotted,
14	5148321	1	LEVER,
15	5152826	2	PAD, SLIDING,
16	82014330	1	SWITCH ASSY,
17	5143043	1	PIN,

1.32.4/01 DIFFERENTIAL GEARS

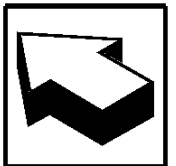
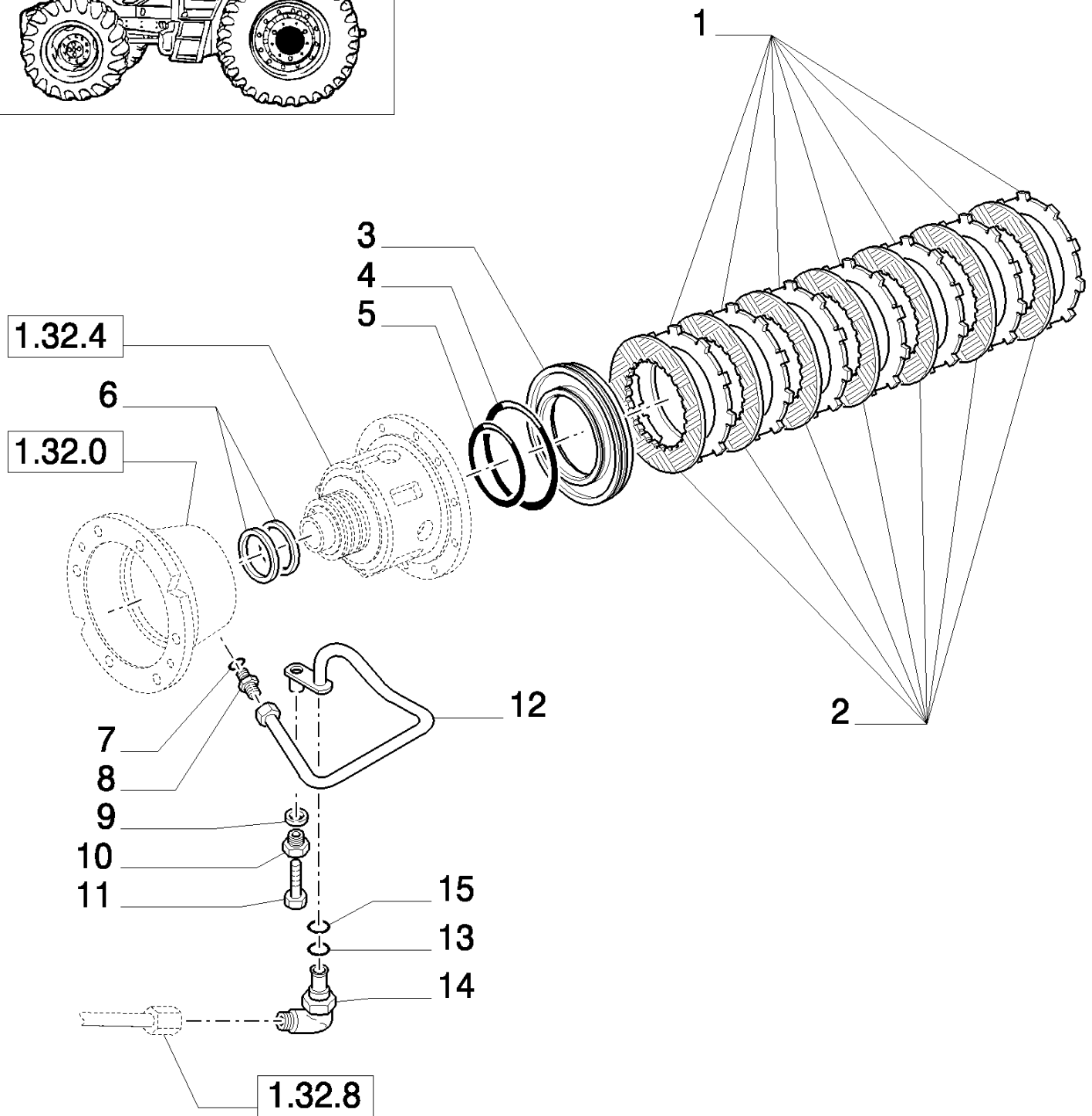
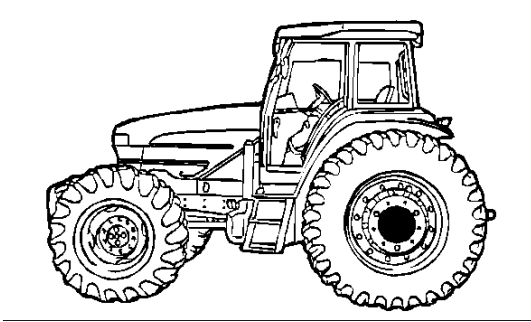


## MXM155 CASE IH TRACTOR (6/02- )

## 1.32.4/01 DIFFERENTIAL GEARS

сылка	Номер детали	Кол-во	Описание
1	24903470	1	BEARING, 70 x 110 x 25
2	5162542	1	HOUSING,
3	13809470	2	SET SCREW, Hex Soc, M10 x 16, Flat Pt,
4	47131260	2	PIN,
5	5139597	4	PINION,
6	14516720	2	DOWEL, M7 x 70,
7	24903500	1	BEARING ASSY, 85 x 130 x 29
8	5162545	1	PINION, RH
9	47131259	1	PIN,
10	5150729	1	SUPPORT,
11	20063460	2	BALL, D = 7.144
12	5162573	1	PINION, LH
13	5162543	1	COVER,
14	5163988	10	SCREW, M14x 1.5 x 93
15	13598221	10	NUT, LOCK, M14 x 1.5,
16	5138803	AR	WASHER, THRUST, 2.80mm Thk,
16	5138804	AR	WASHER, THRUST, 2.85mm Thk,
16	5138805	AR	WASHER, THRUST, 2.90mm Thk,
16	5135398	AR	WASHER, THRUST, 2.95mm Thk,
16	44011235	AR	WASHER, THRUST, 3.00mm Thk,
16	5135400	AR	WASHER, THRUST, 3.05mm Thk,
16	5135401	AR	WASHER, THRUST, 3.10mm Thk,
16	5135402	AR	WASHER, THRUST, 3.15mm Thk,
16	5135403	AR	WASHER, THRUST, 3.20mm Thk,
16	5135404	AR	WASHER, THRUST, 3.25mm Thk,
16	5135405	AR	WASHER, THRUST, 3.30mm Thk,
16	5189648	AR	WASHER, THRUST, 3.35mm Thk,
16	5189649	AR	WASHER, THRUST, 3.40mm Thk,
16	5189650	AR	WASHER, THRUST, 3.45mm Thk,
16	5189651	AR	WASHER, THRUST, 3.50mm Thk,

1.32.6/01 DIFFERENTIAL LOCKS

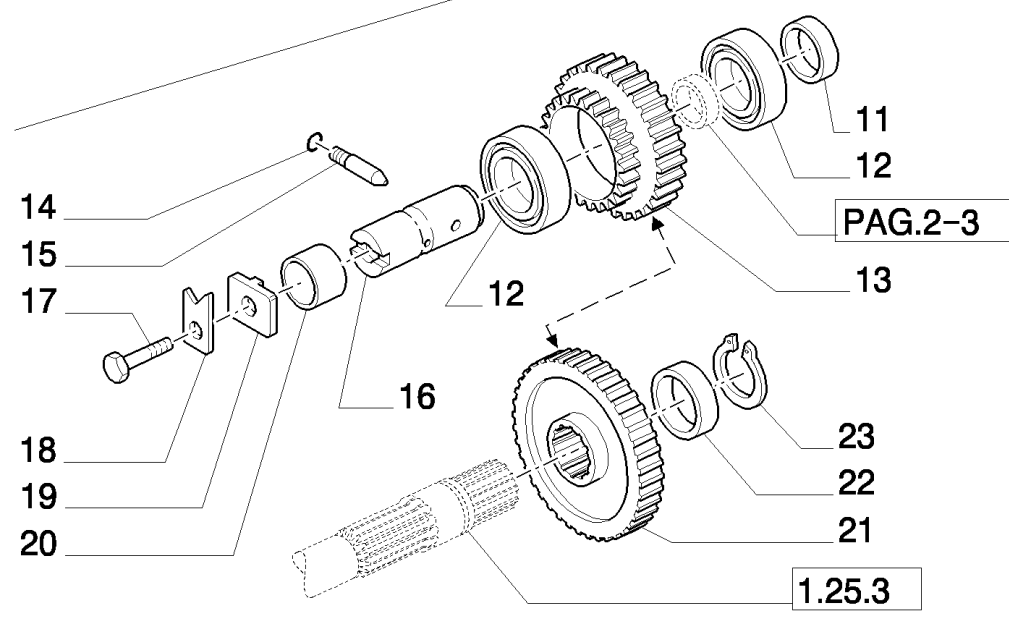
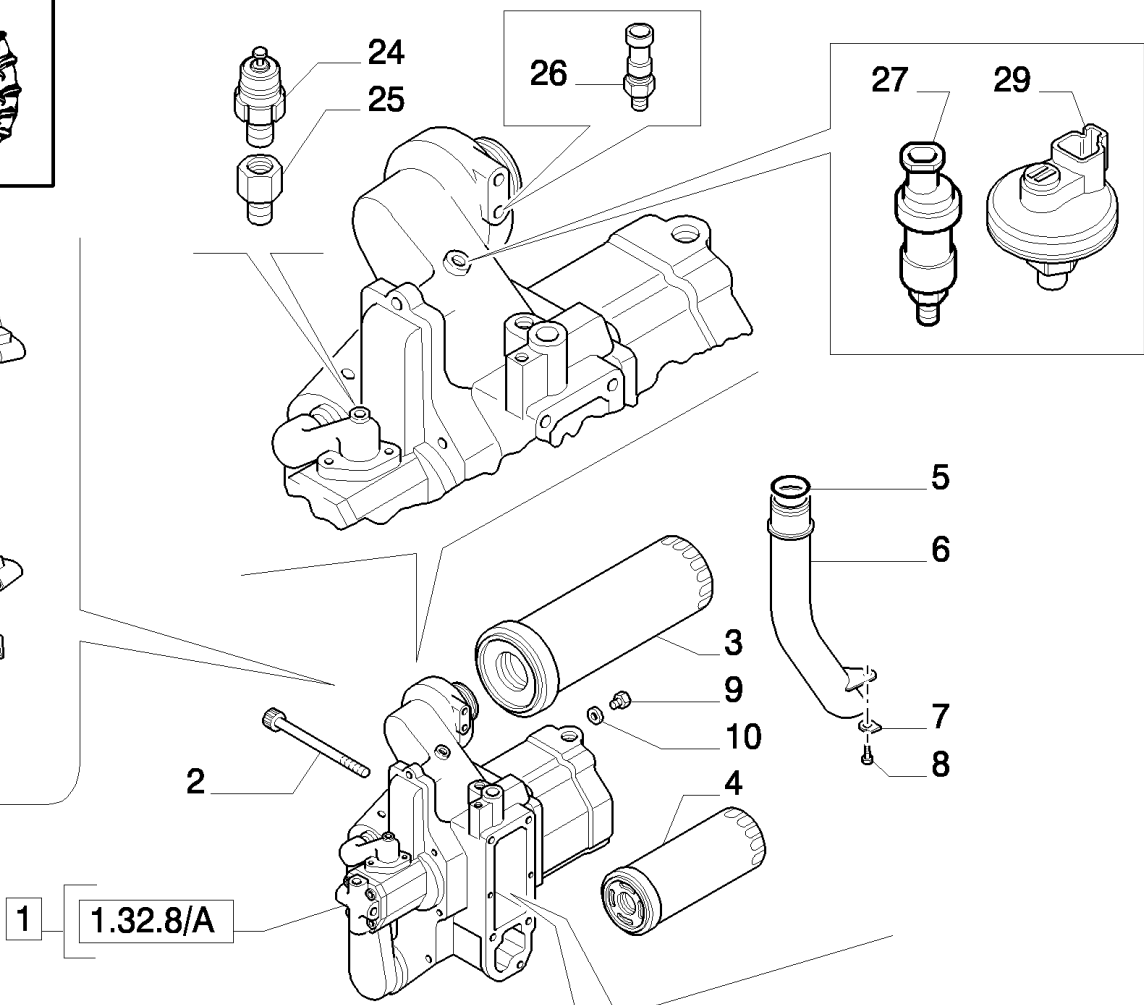
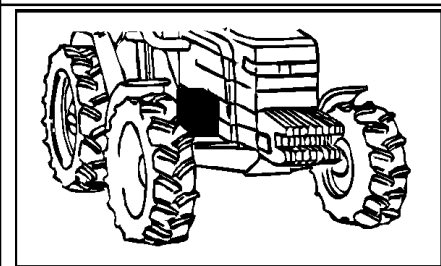


## MXM155 CASE IH TRACTOR (6/02- )

## 1.32.6/01 DIFFERENTIAL LOCKS

сылка	Номер детали	Кол-во	Описание
1	5162535	7	DISC,
2	5169729	7	CLUTCH, PLATE,
3	5162536	1	PISTON,
4	14462681	1	O-RING, -168, CI 7, 7.237" ID x .103" Thk,
5	14461881	1	O-RING, -160, CI 7, 5.237" ID x .103" Thk,
6	5139651	2	RING,
7	14437685	1	O-RING, 9.3MM ID x 2.4 Thk,
8	5158810	1	CONNECTOR, HYD.,
9	10284460	1	WASHER, COPPER, M10.2 x 16 x 1.5, Copper,
10	5175268	1	PLUG, M18 x 1.5
11	11306924	1	BOLT, Hex, M10 x 1.25 x 30, 8.8, Full Thd,
12	5175248	1	TUBE, HYD,
13	14437985	1	O-RING, 15.3MM ID x 2.4 Thk,
14	5171482	1	CONNECTOR, HYD.,
15	14457081	1	O-RING, -112, CI 7, .487" ID x .103" Thk,

1.32.8(01) PUMPS FOR HYDRAULIC SYSTEM AND LIFT



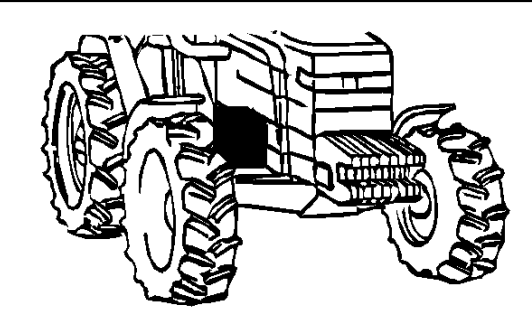
## MXM155 CASE IH TRACTOR (6/02- )

## 1.32.8(01) PUMPS FOR HYDRAULIC SYSTEM AND LIFT

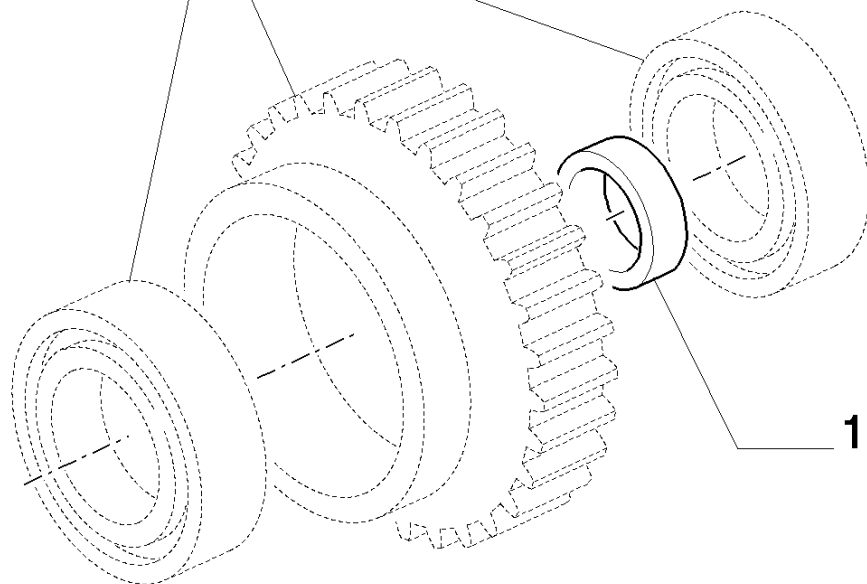
сылка	Номер детали	Кол-во	Описание
1	5185294	1	PUMP, HYDRAULIC,
2	14331231	3	SCREW, Hex Soc Hd, M12 x 1.25 x 35, 10.9,
2	82002999	2	SCREW, M12 x 1.25 x 200
3	1931173	1	FILTER, HYDRAULIC OIL, Main System
4	47131180	1	FILTER, HYDRAULIC OIL, Charge Pressure
5	14459480	1	O-RING, -136, 90 Duro, 1.987" ID x .103" Thk,
6	5178292	1	TUBE,
7	14198700	1	PLATE, LOCKING,
8	16043224	1	BOLT, Hex, M8 x 16, 8.8, Full Thd,
9	10300611	1	PLUG, M14 x 1.5 x 14, C15.8,
10	4858608	1	SEAL,
11	5152078	1	SPACER,
12	26799940	1	BEARING, ROLLER, TAPERED, 30 x 62 x 17.25
13	5167247	1	GEAR, DRIVEN,
14	5103230	3	O-RING, 2.62 x 11.91
15	5167219	1	PIN, ROLL,
16	5167218	1	PIN,
17	15540531	1	BOLT, Hex, M12 x 1.25 x 35, 10.9, Full Thd,
18	14198901	1	PLATE, LOCKING,
19	5178466	1	PLATE, LOCKING,
20	5167220	1	BUSHING,
21	5167244	1	GEAR, DRIVEN,
22	5143806	1	SPACER,
23	11068376	2	RING, SNAP, M35, Ext,
24	82028130	1	SWITCH, PRESSURE, , BSN ACM263457
24	87533792	1	SWITCH, PRESSURE, Oil Pressure, ASN ACM263458
25	81866305	1	CONNECTOR, HYD.,
26	82028134	1	SWITCH, Oil Temperature
27	82025340	1	SWITCH, Vacuum, Intake Restriction, -C5240
28	82014328	1	HARNESS, WIRE, For CCLS Pump, BSN ACM268845
29	87303771	1	SWITCH, Vacuum, D5240-
30	87386975	1	HARNESS, WIRE, , ASN ACM268846

D5212 Serial N.ACM263458 D5240 After Date 15 May 2006 D5273 Serial N.ACM268846





PAG.1

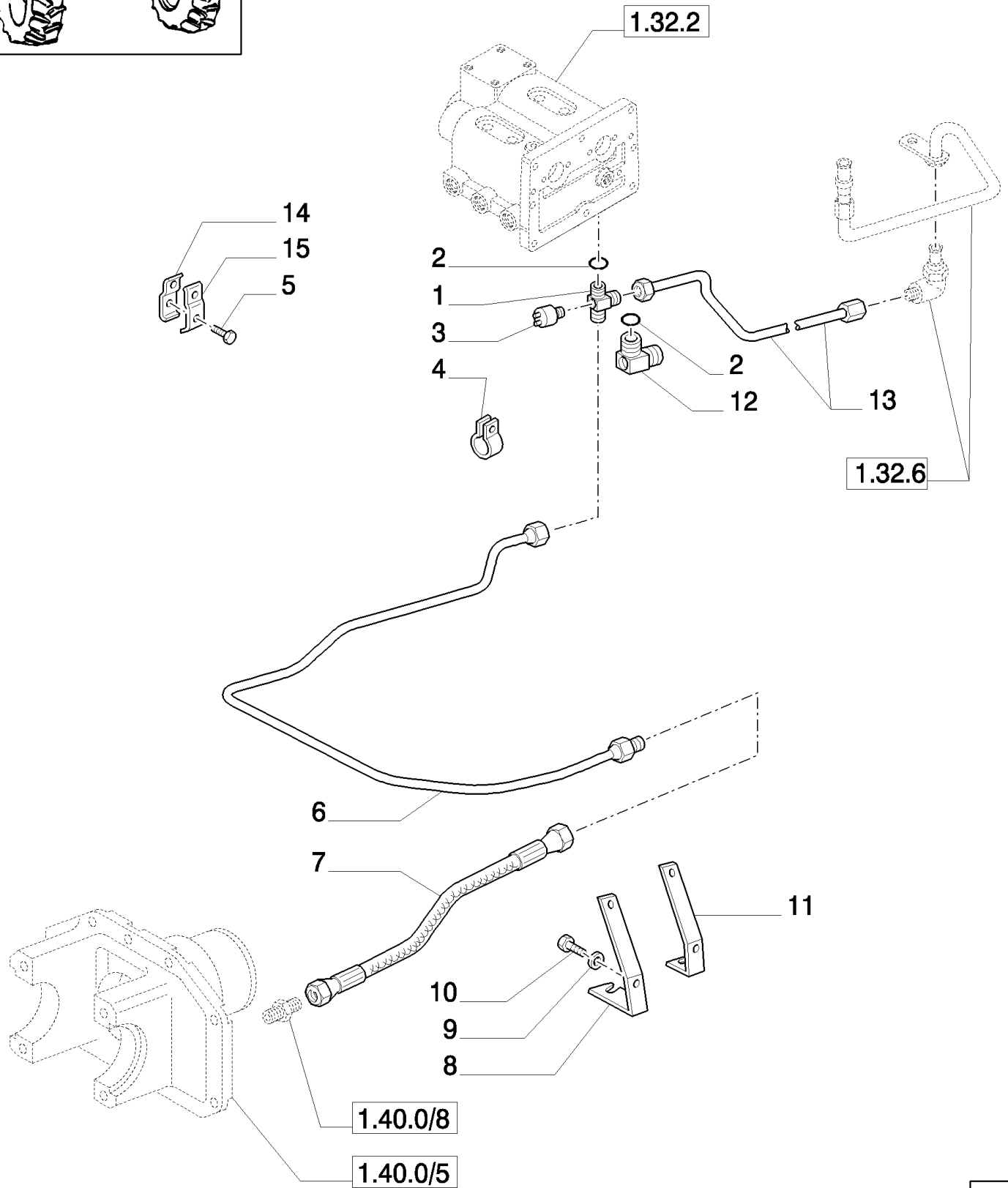
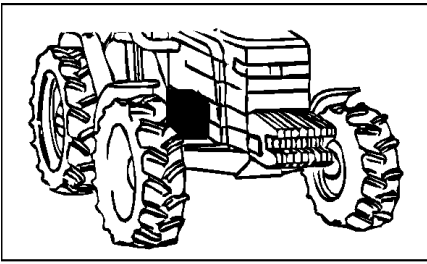


## MXM155 CASE IH TRACTOR (6/02- )

## 1.32.8(02) PUMPS FOR HYDRAULIC SYSTEM AND LIFT

сылка	Номер детали	Кол-во	Описание
1	5169854	AR	SPACER, 11.800mm Thk,
1	5169855	AR	SPACER, 11.825mm Thk,
1	5169856	AR	SPACER, 11.850mm Thk,
1	5169857	AR	SPACER, 11.875mm Thk,
1	5169858	AR	SPACER, 11.900mm Thk,
1	5169859	AR	SPACER, 11.925mm Thk,
1	5169860	AR	SPACER, 11.950mm Thk,
1	5169861	AR	SPACER, 11.975mm Thk,
1	5169862	AR	SPACER, 12.000mm Thk,
1	5169863	AR	SPACER, 12.025mm Thk,
1	5169864	AR	SPACER, 12.050mm Thk,
1	5169865	AR	SPACER, 12.075mm Thk,
1	5169866	AR	SPACER, 12.100mm Thk,
1	5169867	AR	SPACER, 12.125mm Thk,
1	5169868	AR	SPACER, 12.150mm Thk,
1	5169869	AR	SPACER, 12.175mm Thk,
1	5169871	AR	SPACER, 12.225mm Thk,
1	5169872	AR	SPACER, 12.250mm Thk,
1	5169873	AR	SPACER, 12.275mm Thk,
1	5169874	AR	SPACER, 12.300mm Thk,
1	5169875	AR	SPACER, 12.325mm Thk,
1	5169876	AR	SPACER, 12.350mm Thk,
1	5169877	AR	SPACER, 12.375mm Thk,
1	5169878	AR	SPACER, 12.400mm Thk,
1	5169879	AR	SPACER, 12.425mm Thk,
1	5169880	AR	SPACER, 12.450mm Thk,
1	5169881	AR	SPACER, 12.475mm Thk,
1	5169882	AR	SPACER, 12.500mm Thk,
1	5169883	AR	SPACER, 12.525mm Thk,
1	5169884	AR	SPACER, 12.550mm Thk,
1	5169885	AR	SPACER, 12.575mm Thk,
1	5169886	AR	SPACER, 12.600mm Thk,

1.32.8(04) PUMPS FOR HYDRAULIC SYSTEM AND LIFT

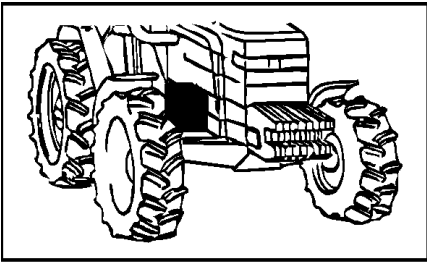


## MXM155 CASE IH TRACTOR (6/02- )

## 1.32.8(04) PUMPS FOR HYDRAULIC SYSTEM AND LIFT

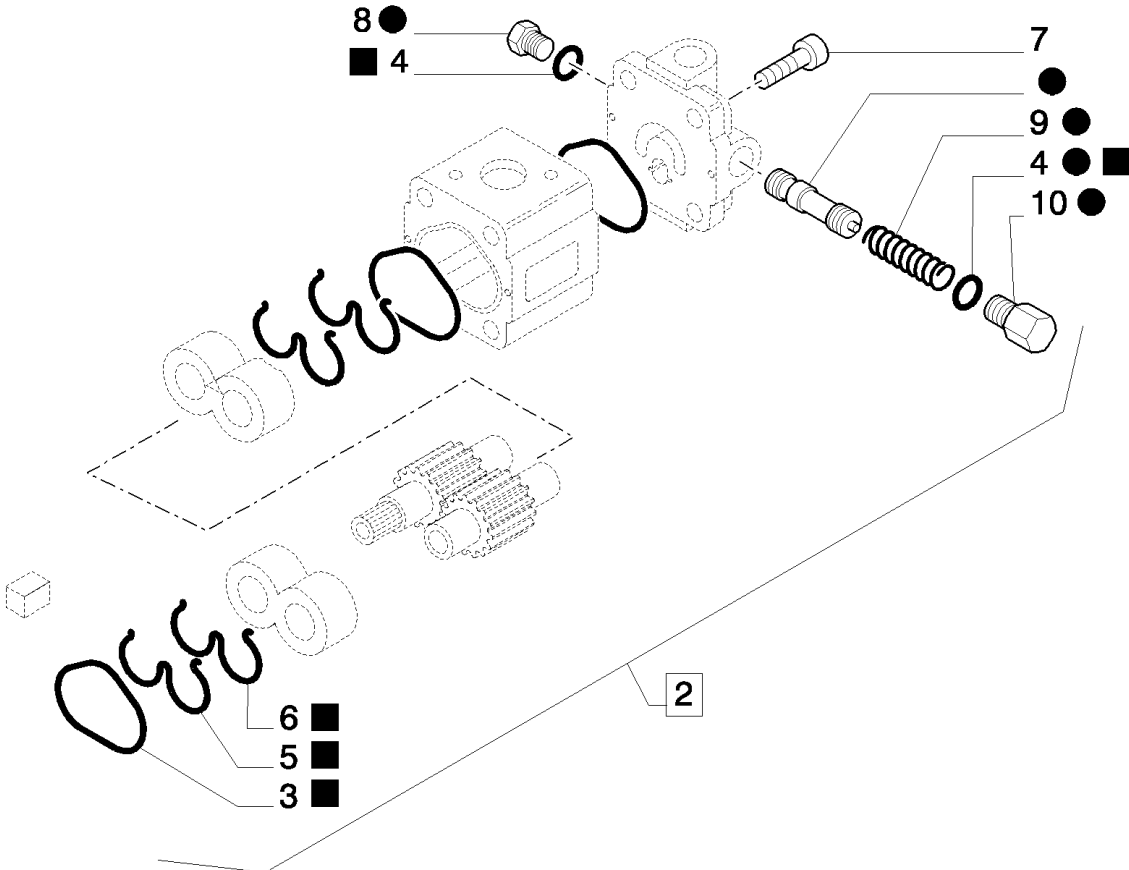
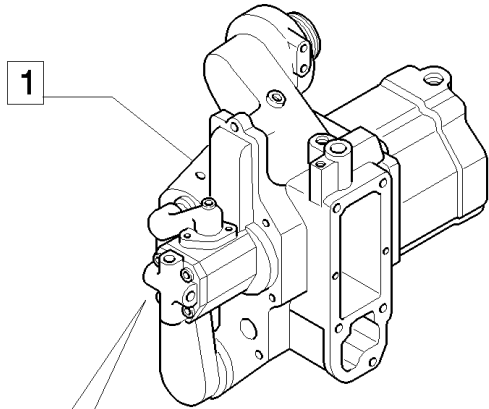
сылка	Номер детали	Кол-во	Описание
1	5170941	1	TEE,
2	14437885	1	O-RING, 13.3MM ID x 2.4 Thk,
3	82008236	1	SWITCH, PRESSURE, Trans. Oil, 51 mm L.
4	83925873	1	CLIP, (4WD)
5	10902624	1	BOLT, Hex, M6 x 25, 8.8, Full Thd, (4WD)
6	87305938	1	TUBE, HYD, (4WD)
7	87309802	1	HOSE, FLEXIBLE, (4WD)
7	87308172	1	HOSE, FLEXIBLE, (4WD), W/Full Power Shift Trans. 18 x 6 (40KPH 4WD) Equip. 281
8	82003024	1	BRACKET,
9	17094714	2	WASHER, LOCK, M6 x 12.5
10	10902224	2	BOLT, Hex, M6 x 16, 8.8, Full Thd,
11	82003023	1	BRACKET,
12	5170940	1	ELBOW, (2WD)
13	5169158	1	TUBE, HYD,
14	5156381	1	CLAMP, (4WD)
15	5156380	1	CLAMP, (4WD)

1.32.8/ A(01) PUMPS FOR HYDRAULIC SYSTEM AND LIFT - BREAKDOWN



**KIT**

● = 11  
■ = 12 SEE ALSO  
PAG. 2-3-4-5-6

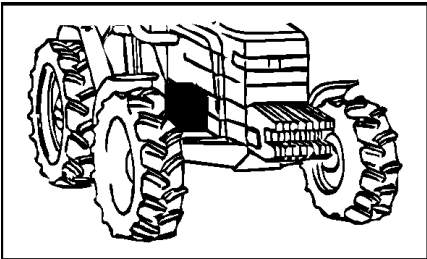


## MXM155 CASE IH TRACTOR (6/02- )

## 1.32.8/ A(01) PUMPS FOR HYDRAULIC SYSTEM AND LIFT - BREAKDOWN

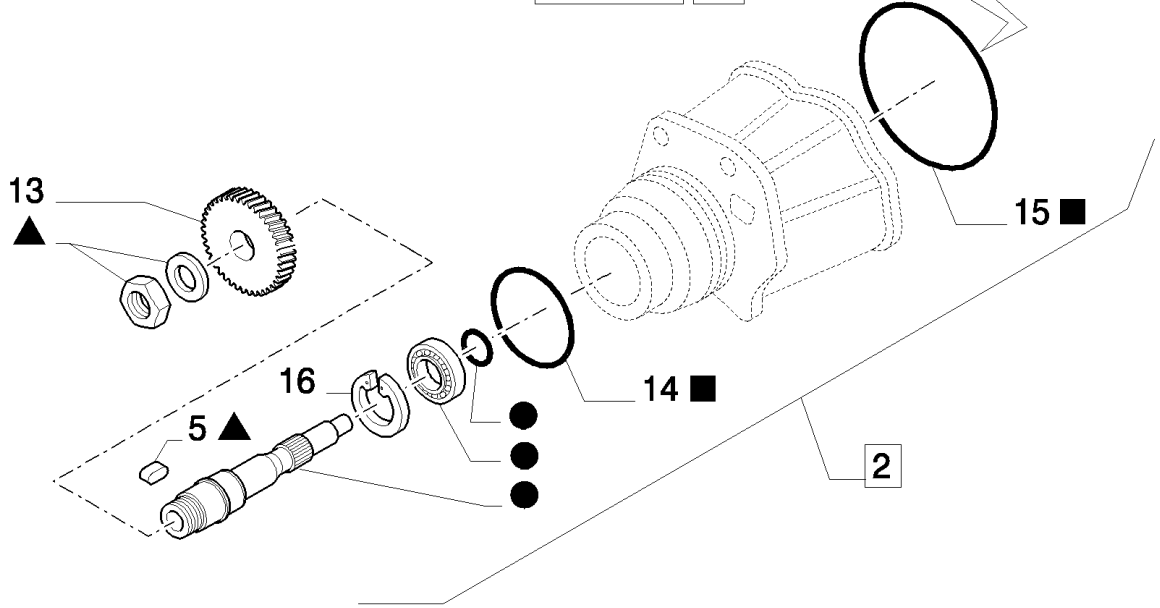
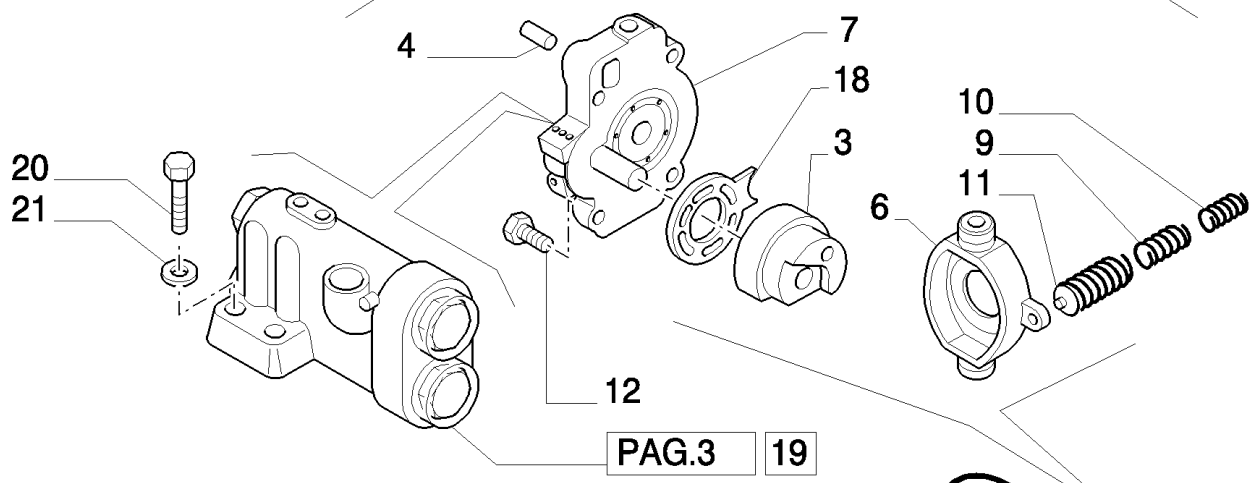
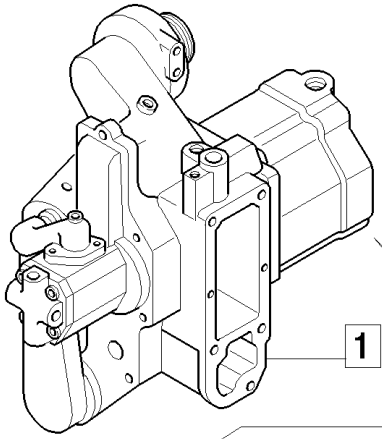
сылка	Номер детали	Кол-во	Описание
1	5185294	1	PUMP, HYDRAULIC, Assy
2	82031027	1	PUMP, HYDRAULIC, Assy
3	82036301	1	O-RING, 63.5 x 2.9
4	82036304	1	O-RING, 14.0 x 10.8
5	82031059	2	SEAL,
6	82031060	2	GAS STRUT,
7	14432831	1	SCREW, Hex Soc Hd, M10 x 120, 10.9,
8	82031061	1	PLUG,
9	81803248	1	SPRING,
10	83908562	1	PLUG,
11	82036258	1	KIT, SEALS,
12	82031409	1	KIT, HYD PUMP REPAIR,

1.32.8/ A(02) PUMPS FOR HYDRAULIC SYSTEM AND LIFT - BREAKDOWN



**KIT**

- = 8
- ▲ = 17
- = 22 SEE ALSO  
PAG. 1-3-4-5-6



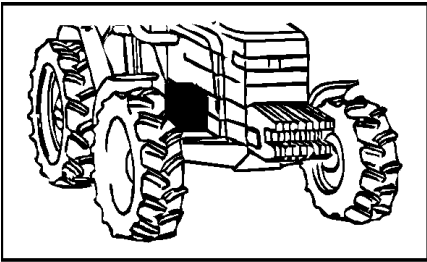
## MXM155 CASE IH TRACTOR (6/02- )

## 1.32.8/ A(02) PUMPS FOR HYDRAULIC SYSTEM AND LIFT - BREAKDOWN

сылка	Номер детали	Кол-во	Описание
1	5185294	1	PUMP, HYDRAULIC, Assy
2	82031036	1	PUMP, HYDRAULIC, Assy
3	82031047	1	KIT, Cylinder Block
4	83928105	2	DOWEL, M10.5 x 12.7 x 11.8
5	81868056	1	KEY,
6	81871602	1	PLATE,
7	82031263	1	COVER,
8	82031264	1	SHAFT,
9	81867937	1	SPRING,
10	81867938	1	SPRING,
11	81868005	1	SPRING,
12	81868052	4	BOLT, M10 x 1.5 x 55
13	82031265	1	GEAR,
14	82036314	1	O-RING, 114.5 x 3.0
15	82036390	1	O-RING, 184.5 x 3.0
16	11061976	1	RING, SNAP, M80, Int,
17	82031267	1	KIT, Key, Washer & Nut
18	82031268	1	PLATE, Port
19	81872759	1	VALVE SECTION,
20	81868054	4	SCREW, Hex Soc Hd, M5 x .8 x 25,
21	81867893	4	WASHER, LOCK, 5.1 x 8.55 x 1.5
22	82036258	1	KIT, SEALS,

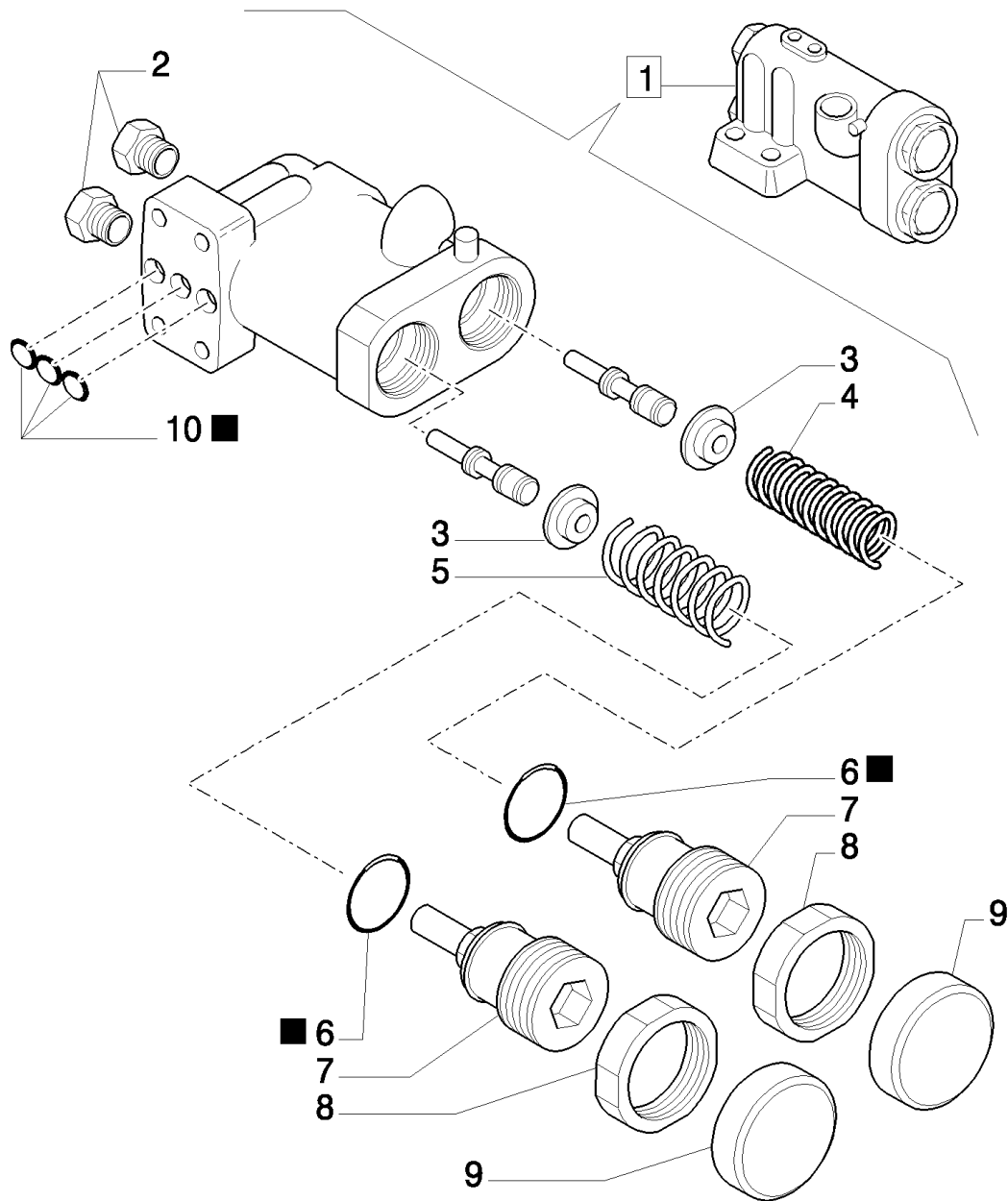


1.32.8/ A(03) PUMPS FOR HYDRAULIC SYSTEM AND LIFT - LOAD SENSING VALVE



**KIT**

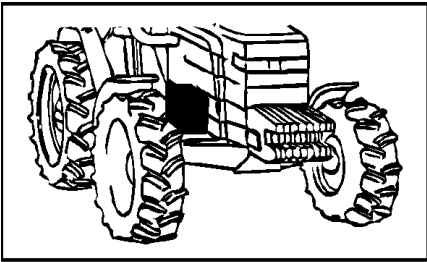
■ = 11 SEE ALSO  
PAG. 1-2-4-5-6

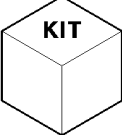


## 1.32.8/ A(03) PUMPS FOR HYDRAULIC SYSTEM AND LIFT - LOAD SENSING VALVE

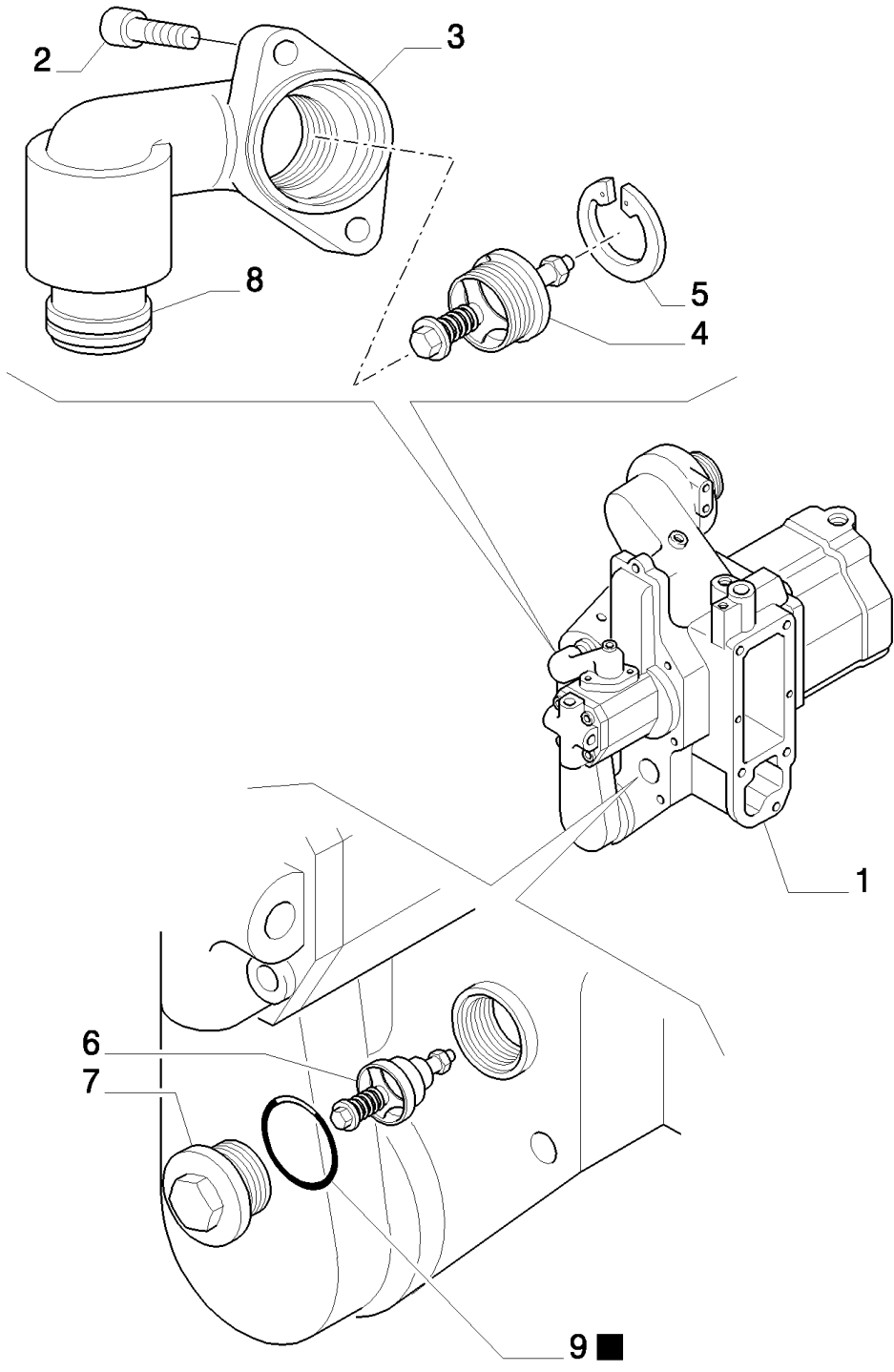
сылка	Номер детали	Кол-во	Описание
1	81872759	1	VALVE SECTION, Assy
2	81867972	2	PLUG,
3	81867965	2	RETAINER,
4	81867964	1	SPRING,
5	81867967	1	SPRING,
6	81867969	2	SEAL,
7	81872763	2	SCREW, ADJUSTMENT,
8	81872765	2	NUT,
9	81872760	2	CAP,
10	82036309	3	O-RING,
11	82036258	1	KIT, SEALS,

1.32.8/ A(04) PUMPS FOR HYDRAULIC SYSTEM AND LIFT - BREAKDOWN



 **KIT**

**■ = 10 SEE ALSO  
PAG. 1-2-3-5-6**

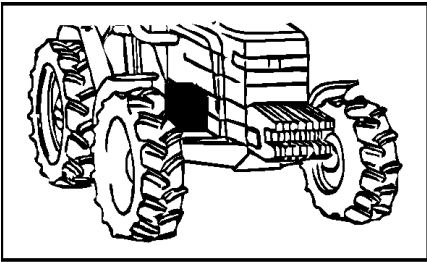


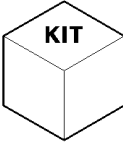
## MXM155 CASE IH TRACTOR (6/02- )

## 1.32.8/ A(04) PUMPS FOR HYDRAULIC SYSTEM AND LIFT - BREAKDOWN

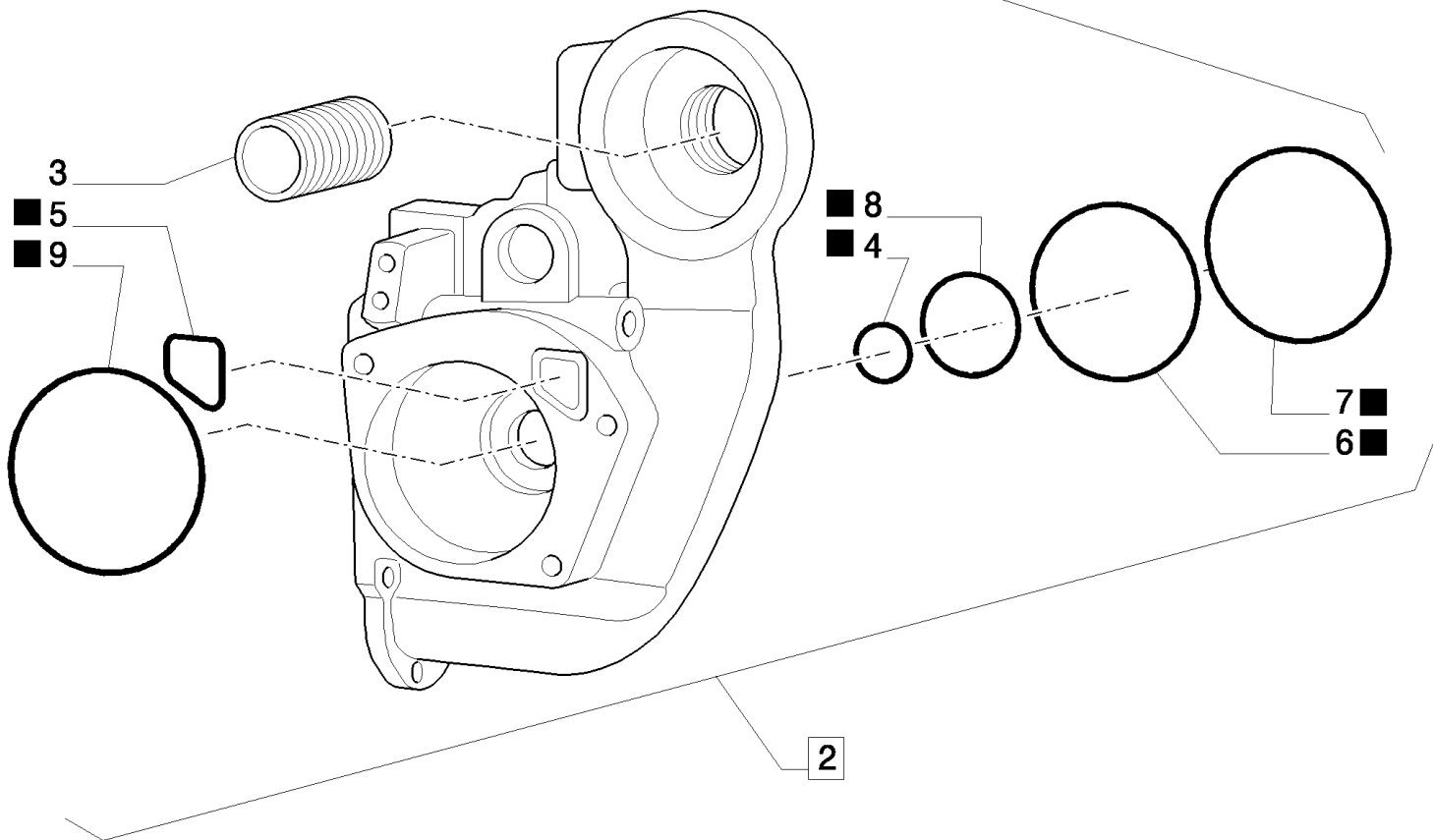
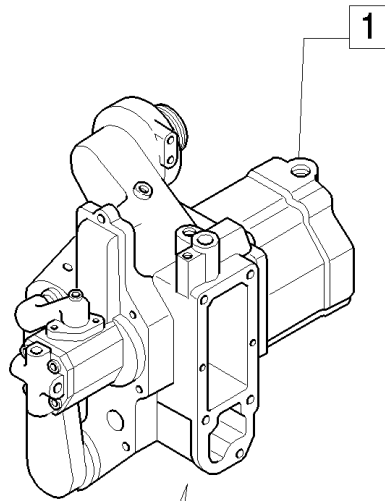
сылка	Номер детали	Кол-во	Описание
1	5185294	1	PUMP, HYDRAULIC, Assy
2	9967900	2	SCREW,
3	9967896	1	MANIFOLD,
4	81867926	1	VALVE, HYDRAULIC, Unload
5	9967901	1	RING, LOCKING,
6	81867928	1	VALVE, PRESSURE RELIEF,
7	81868049	1	PLUG,
8	9967897	1	TUBE,
9	14458780	1	O-RING, -129, 70 Duro, 1.549" ID x .103" Thk, , Pressure Load
10	82036258	1	KIT, SEALS,

1.32.8/ A(05) PUMPS FOR HYDRAULIC SYSTEM AND LIFT - BREAKDOWN



 **KIT**

■ = 10 SEE ALSO  
PAG. 1-2-3-4-6

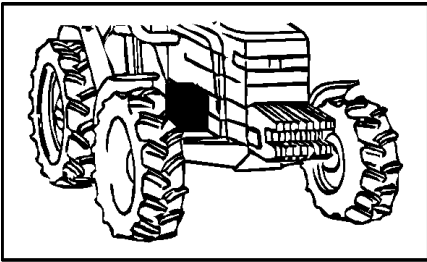


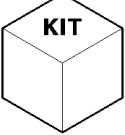
## MXM155 CASE IH TRACTOR (6/02- )

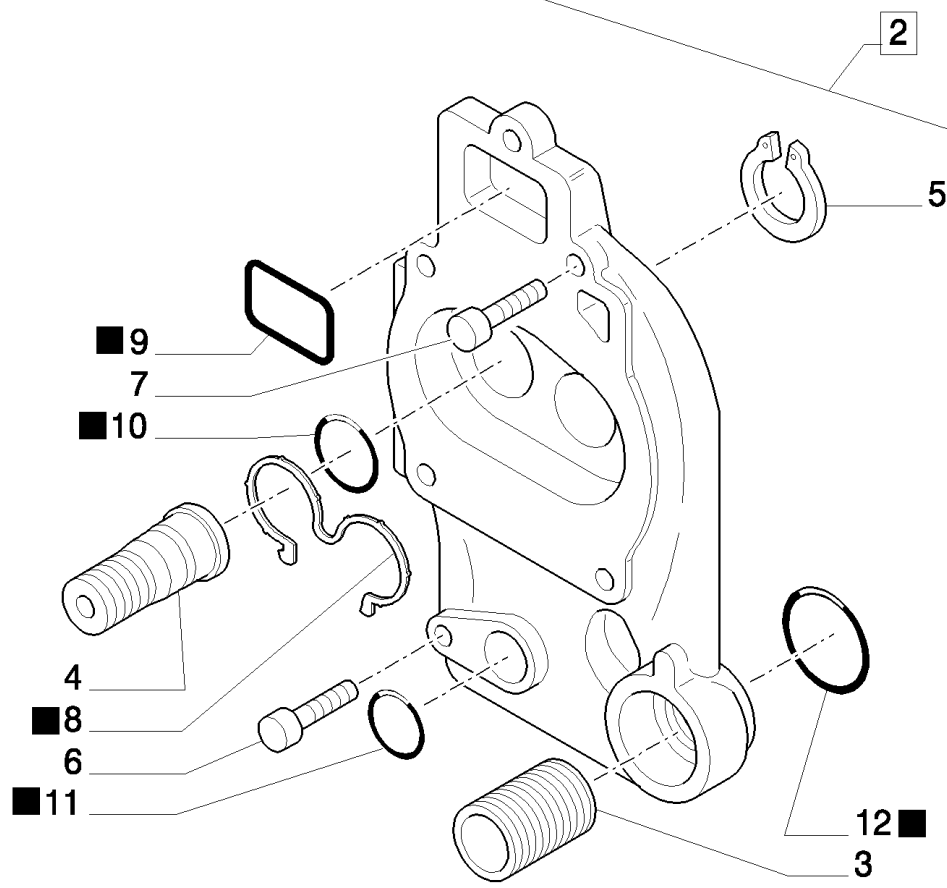
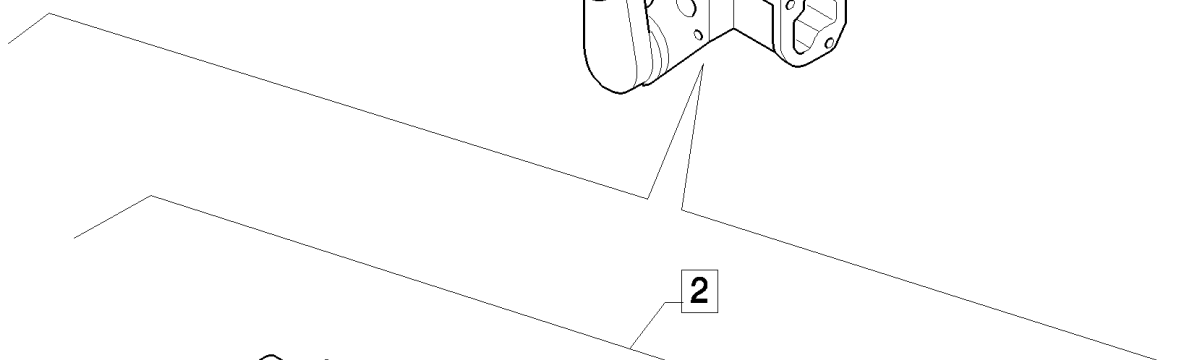
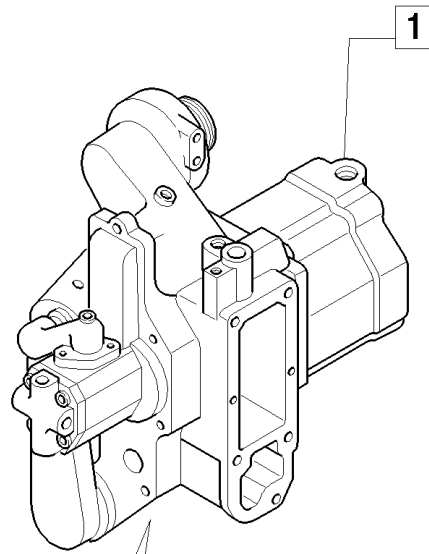
## 1.32.8/ A(05) PUMPS FOR HYDRAULIC SYSTEM AND LIFT - BREAKDOWN

сылка	Номер детали	Кол-во	Описание
1	5185294	1	PUMP, HYDRAULIC, Assy
2	82031035	1	KIT, Center Housing
3	82031220	1	CONNECTOR, HYD.,
4	82036306	1	SEAL, SHAFT, 30.0 x 47.0 x 7.0
5	82036311	2	O-RING, 39.6 x 2.4 N117
6	82036315	1	O-RING, 139.5 x 3.0
7	82036313	1	O-RING, 69.6 x 2.4 N117
8	82031032	1	SEAL,
9	82036314	1	O-RING, 114.5 x 3.0
10	82036258	1	KIT, SEALS,

1.32.8/ A(06) PUMPS FOR HYDRAULIC SYSTEM AND LIFT - BREAKDOWN



**KIT**  = 13 SEE ALSO  
PAG. 1-2-3-4-5

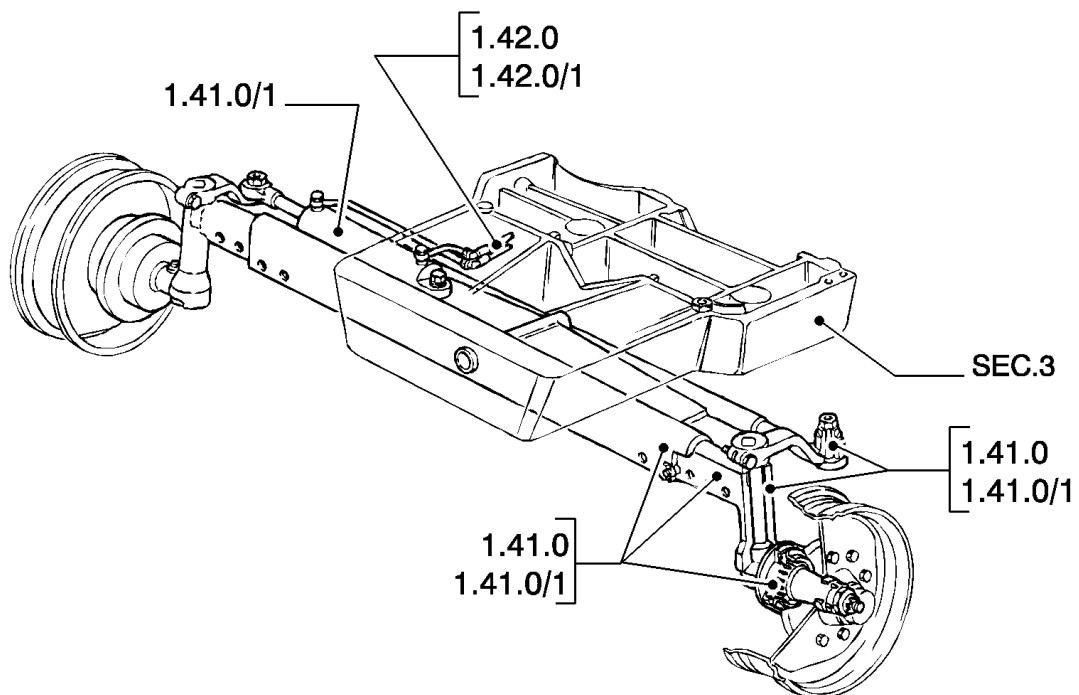
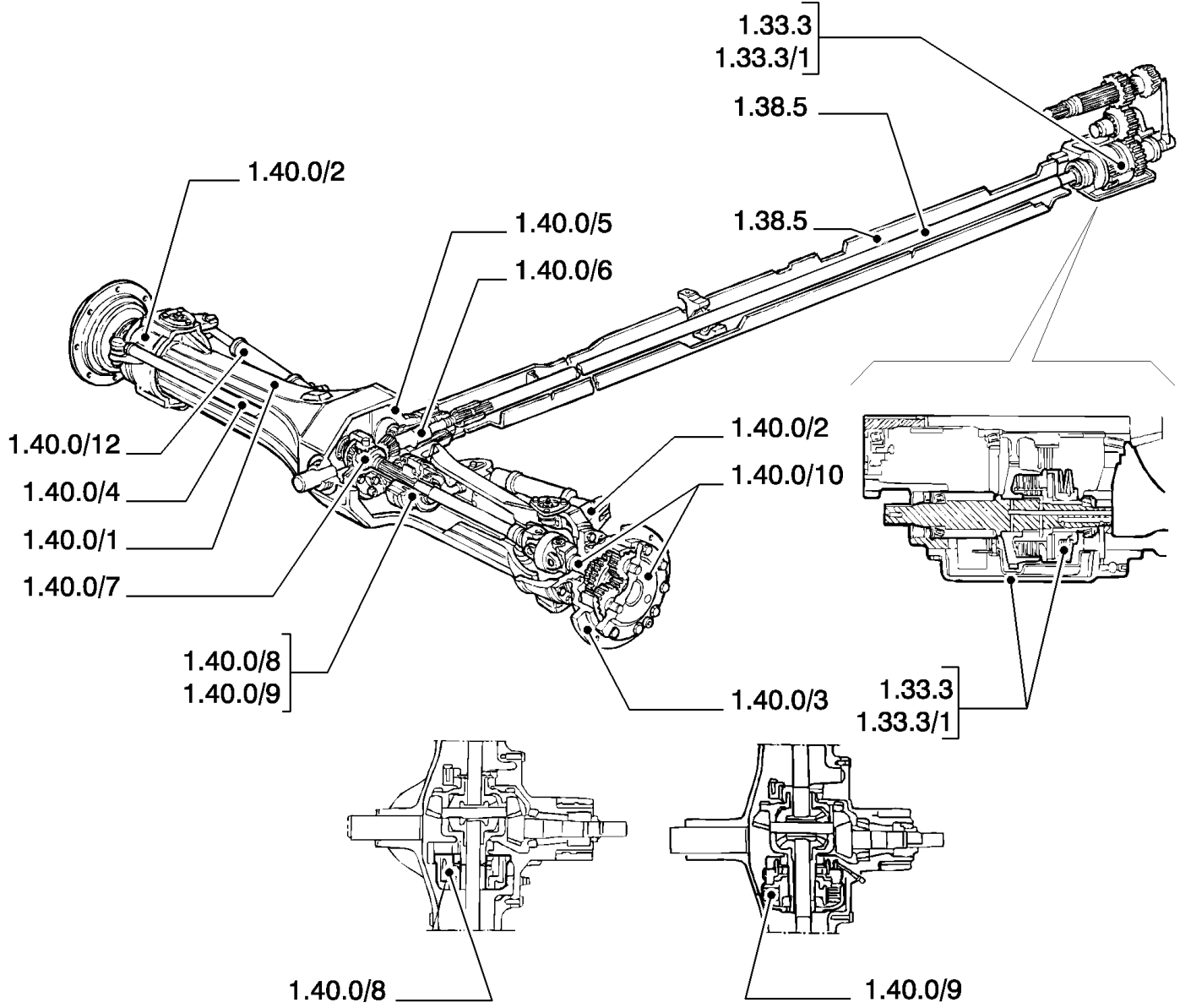


## MXM155 CASE IH TRACTOR (6/02- )

## 1.32.8/ A(06) PUMPS FOR HYDRAULIC SYSTEM AND LIFT - BREAKDOWN

сылка	Номер детали	Кол-во	Описание
1	5185294	1	PUMP, HYDRAULIC, Assy
2	82031028	1	KIT, Assy
3	81867907	1	ADAPTER,
4	82031094	1	COUPLING, Outer
4	82031095	1	COUPLING, Inner
5	82031096	1	CIRCLIP,
6	82031033	5	SCREW, M10 x 1.5
7	82031031	1	SCREW, M10 x 1.5
8	82031032	1	SEAL,
9	82036313	1	O-RING, 69.6 x 2.4
10	82036315	1	O-RING, 139.5 x 3.0
11	82036311	1	O-RING, 39.6 x 2.4
12	82036310	2	O-RING, 27.6 x 2.4
12	82036312	1	O-RING, 44.6 x 2.4
12	82036301	2	O-RING, 63.5 x 2.9
12	82031059	2	SEAL, Pressure Load
12	82031060	2	GAS STRUT, Anti - Extrusion
12	82036316	1	O-RING, 42.5 x 3.0
13	82036258	1	KIT, SEALS,



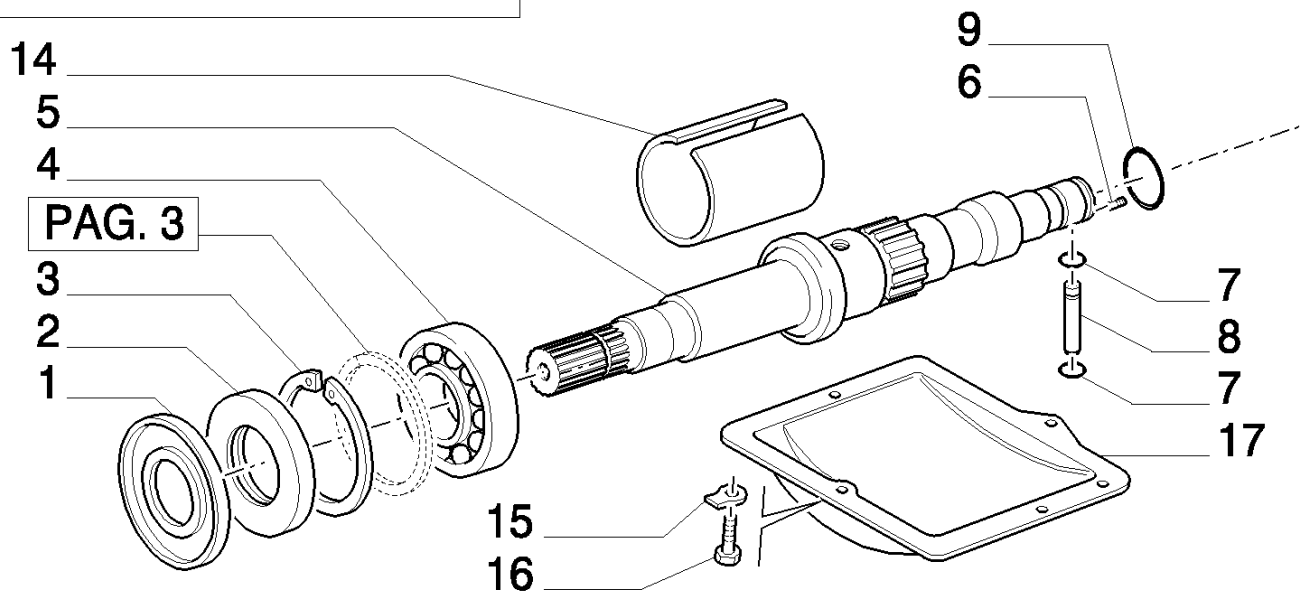
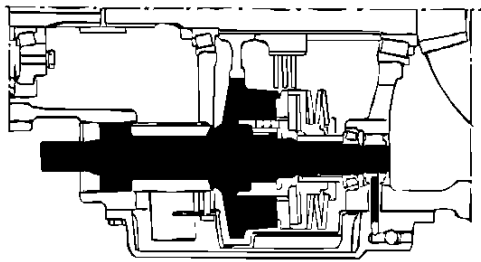


MXM155 CASE IH TRACTOR (6/02- )

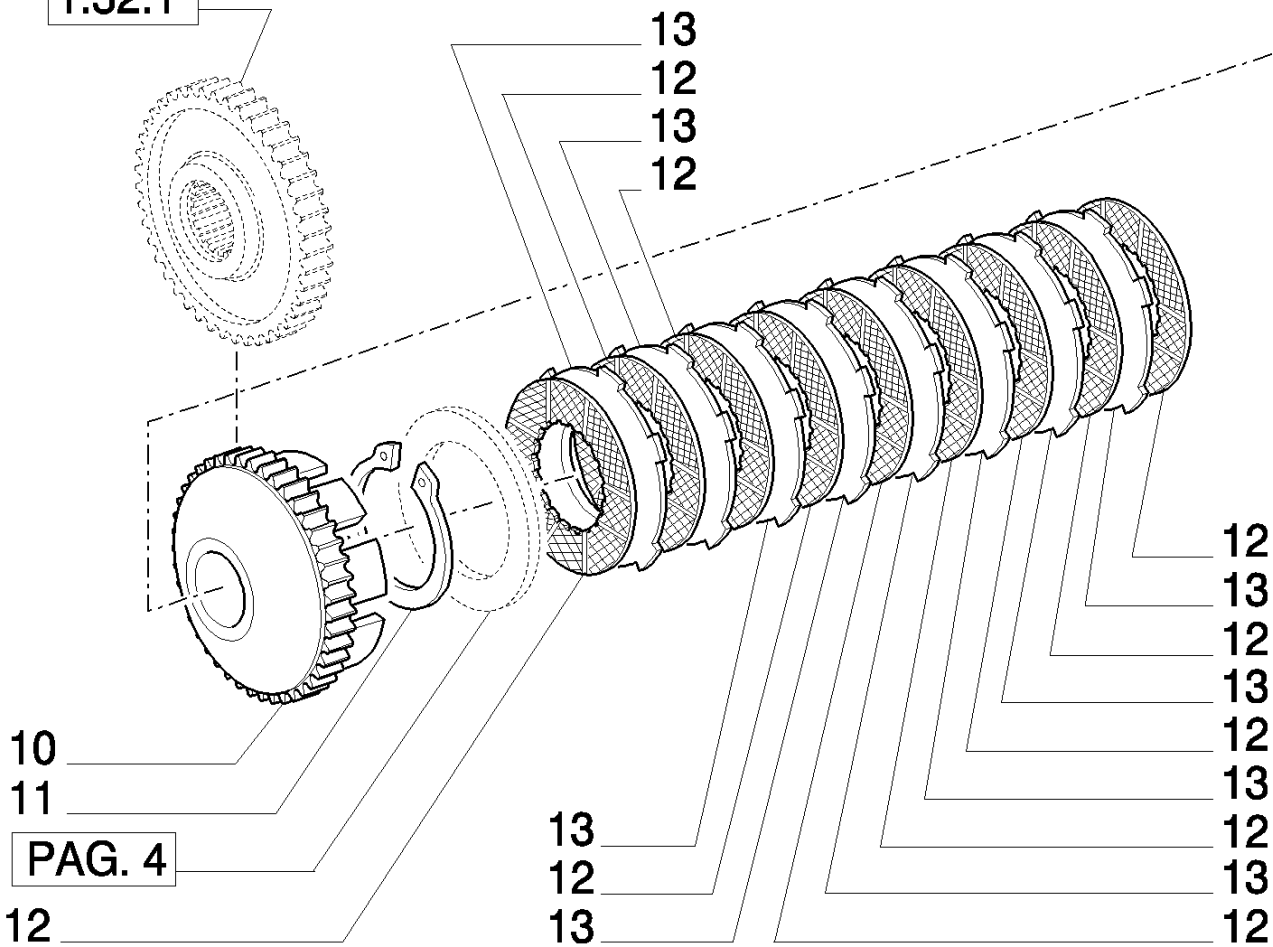
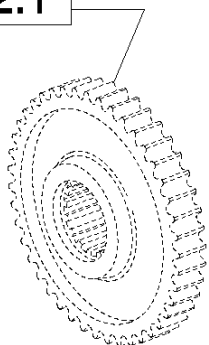
1.33.0 SEC. 04 - FRONT AXLE

сылка	Номер детали	Кол-во	Описание

1.33.3(01) START HYDRAULIC CLUTCH (4WD)



1.32.1



PAG. 4

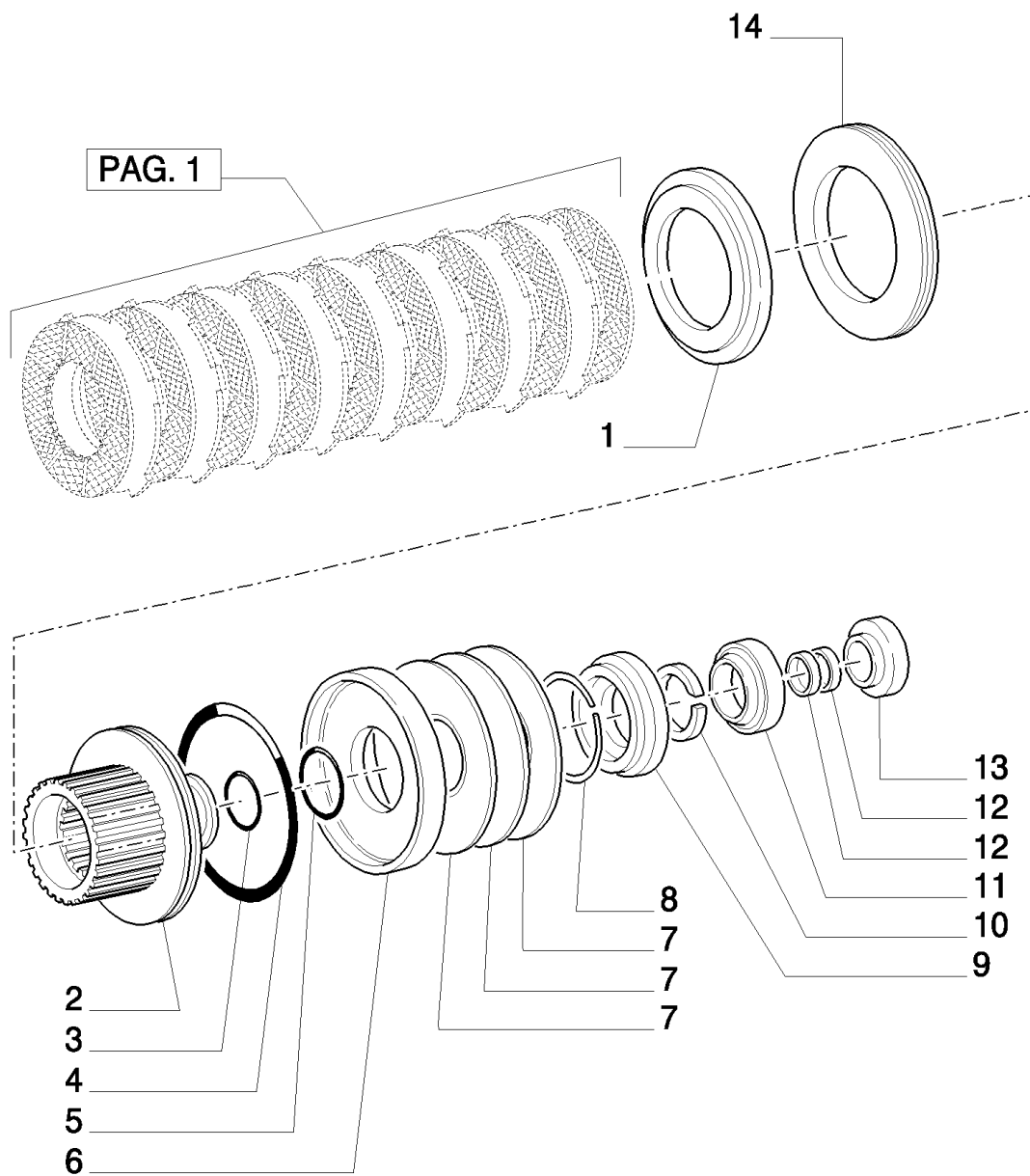
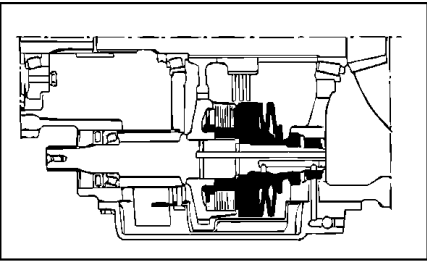


## MXM155 CASE IH TRACTOR (6/02- )

## 1.33.3(01) START HYDRAULIC CLUTCH (4WD)

сылка	Номер детали	Кол-во	Описание
1	5125898	1	SEAL PROTECTION, MXM120, MXM130, MXM140, W/Mec. trans. 20 x 16 (40kph) or W/Hi-LO Trans. 24 x 12 (10kph) Equip.272
2	5125897	1	SEAL, 40 x 80 x 12
3	80300633	1	RING, SNAP,
4	26799960	1	BEARING, ROLLER, TAPERED, 40 x 80 x 19.75
5	5183786	1	SHAFT, Incl. 6
5	5185990	1	SHAFT, Incl. 6, MXM120, MXM130, MXM140, W/Mec. trans. 20 x 16 (40kph) or W/Hi-LO Trans. 24 x 12 (10kph) Equip.272
6	13789621	1	SET SCREW, Hex Soc, M8 x 10, Flat Pt,
7	14452981	2	O-RING, -012, CI 7, .364" ID x .070" Thk,
8	5148103	1	TUBE,
9	14459080	1	O-RING, -131, 70 Duro, 1.737" ID x .103" Thk,
10	5157235	1	GEAR, DRIVEN, MXM120, MXM130, W/Mec. trans. 20 x 16 (40kph) or W/Hi-LO Trans. 24 x 12 (10kph) Equip.272
10	5163665	1	GEAR, DRIVEN, MXM140, MXM155
10	5171891	1	GEAR, DRIVEN, 58T, MXM140, MXM155, W/Semi Power Shift Trans. 17 x 6 (JAPAN) Equip. 084 or W/Full Power Shift Trans. 17 x 6 (JAPAN) Equip. 085
11	5139462	1	RING, SNAP,
12	5163904	9	DISC, Friction
13	5163840	8	PLATE, DRIVE,
14	5148457	1	SHIELD,
15	14198700	3	PLATE, LOCKING,
16	16043224	3	BOLT, Hex, M8 x 16, 8.8, Full Thd,
17	5152019	1	SHIELD,

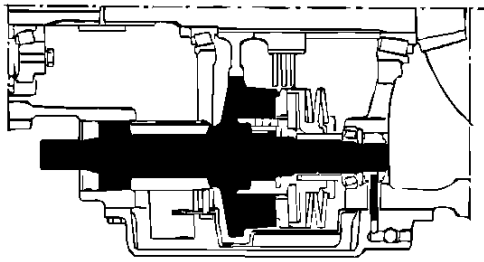
1.33.3(02) START HYDRAULIC CLUTCH (4WD)



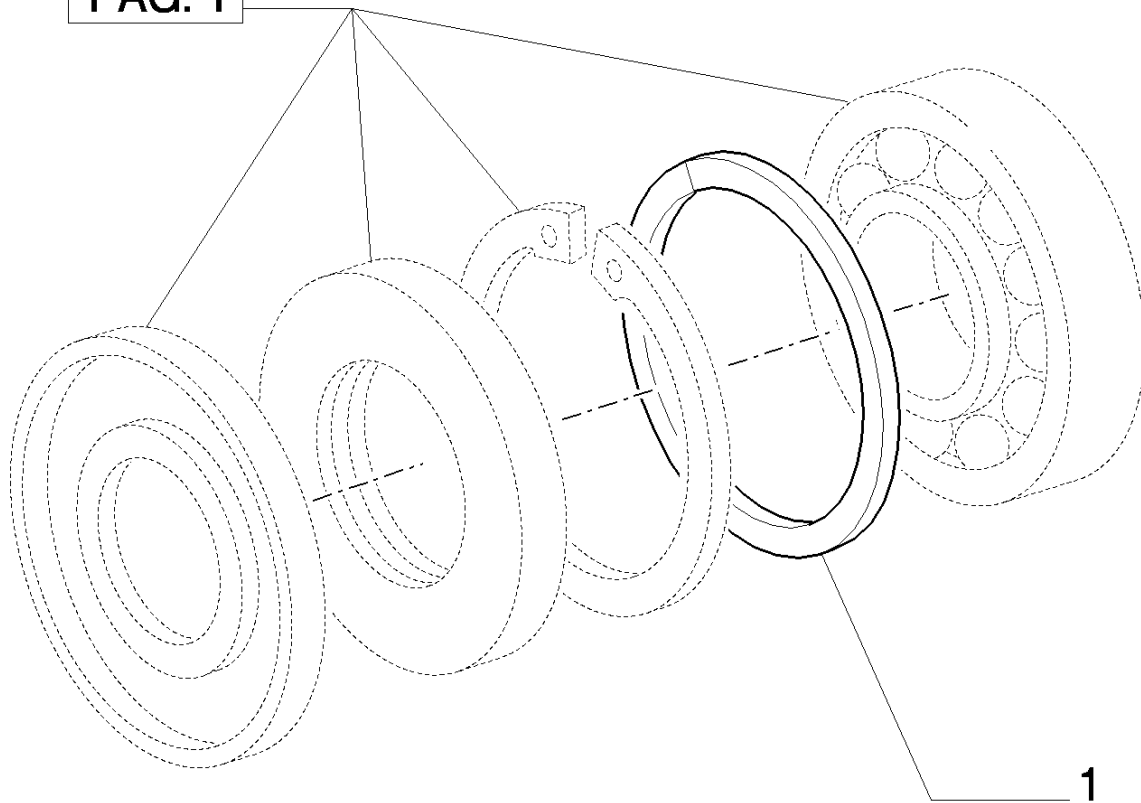
## MXM155 CASE IH TRACTOR (6/02- )

## 1.33.3(02) START HYDRAULIC CLUTCH (4WD)

сылка	Номер детали	Кол-во	Описание
1	5153332	1	PLATE,
2	5153328	1	HUB,
3	14458780	1	O-RING, -129, 70 Duro, 1.549" ID x .103" Thk,
4	14462080	1	O-RING, -162, 70 Duro, 5.737" ID x .103" Thk,
5	14459480	1	O-RING, -136, 90 Duro, 1.987" ID x .103" Thk,
6	5153331	1	PISTON,
7	5160408	3	SPRING, BELLEVILLE,
8	5144584	1	RING,
9	5153330	1	RING,
10	4977442	2	HALF-RING,
11	26799950	1	BEARING, ROLLER, 35 x 72 x 18.25
12	5185502	2	O-RING,
13	5185982	1	MANIFOLD,
14	5153329	1	CONNECTOR, ELEC, VAR. 084-085



PAG. 1

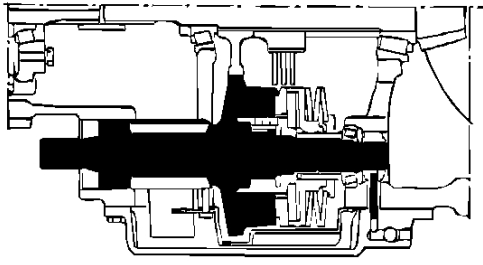


## MXM155 CASE IH TRACTOR (6/02- )

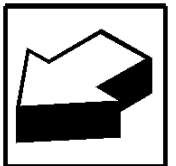
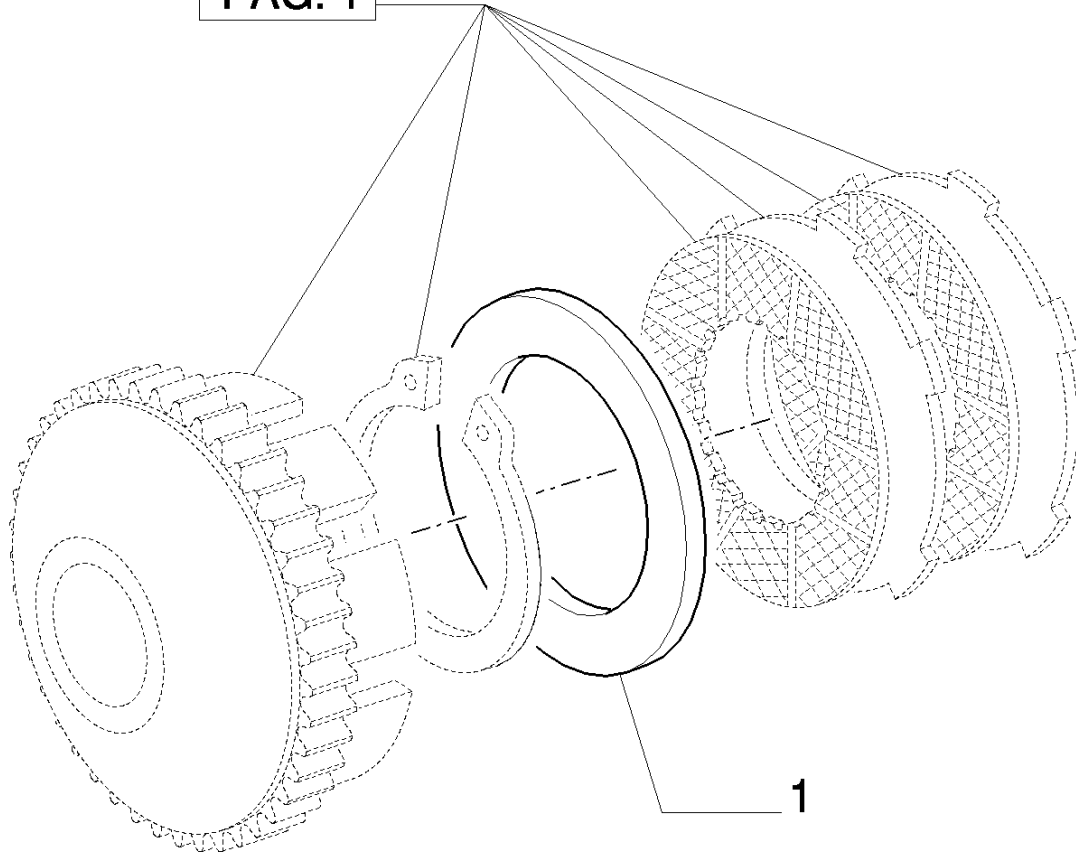
## 1.33.3(03) START HYDRAULIC CLUTCH (4WD)

сылка	Номер детали	Кол-во	Описание
1	5124475	AR	SHIM, 1.00mm Thk,
1	5124476	AR	SHIM, 1.05mm Thk ,
1	5124477	AR	SHIM, 1.10mm Thk,
1	5124478	AR	SHIM, 1.15mm Thk,
1	5124479	AR	SHIM, 1.20mm Thk,
1	5124480	AR	SHIM, 1.25mm Thk,
1	5124481	AR	SHIM, 1.30mm Thk,
1	5124482	AR	SHIM, 1.35mm Thk,
1	5124483	AR	SHIM, 1.40mm Thk,
1	5124484	AR	SHIM, 1.45mm Thk,
1	5124485	AR	SHIM, 1.50mm Thk,
1	5124486	AR	SHIM, 1.55mm Thk,
1	5124487	AR	SHIM, 1.60mm Thk,
1	5124488	AR	SHIM, 1.65mm Thk,
1	5124489	AR	SHIM, 1.70mm Thk,
1	5124490	AR	SHIM, 1.75mm Thk,
1	5124491	AR	SHIM, 1.80mm Thk,
1	5124492	AR	SHIM, 1.85mm Thk,
1	5124493	AR	SHIM, 1.90mm Thk,
1	5124494	AR	SHIM, 1.95mm Thk,





PAG. 1

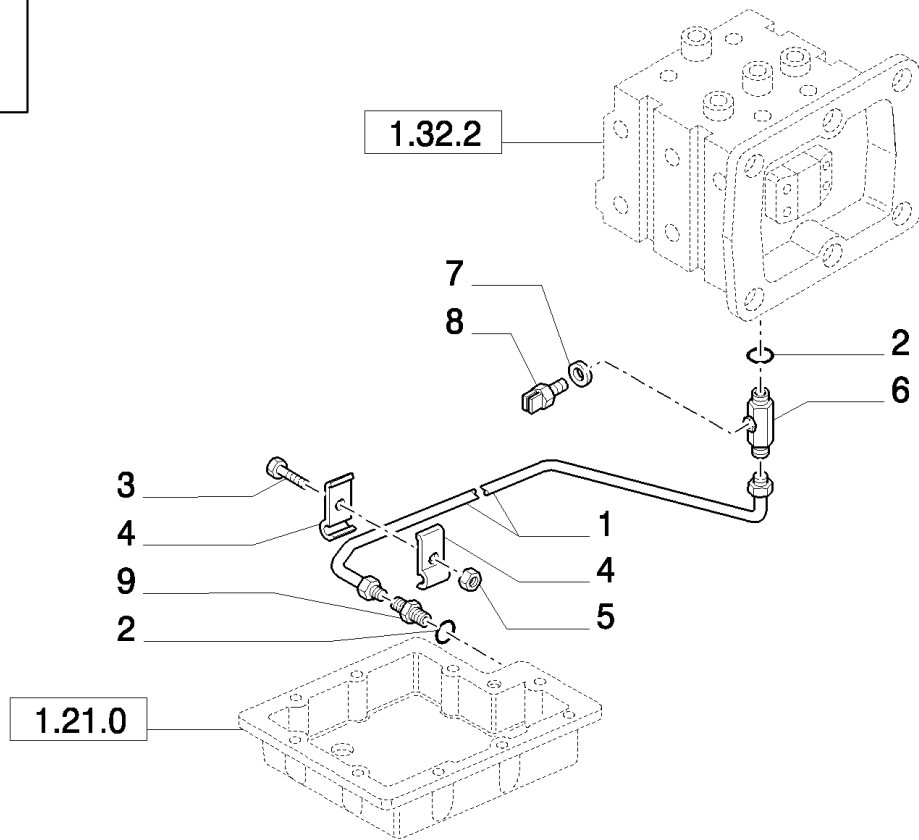
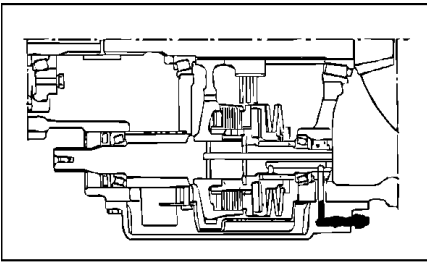


## MXM155 CASE IH TRACTOR (6/02- )

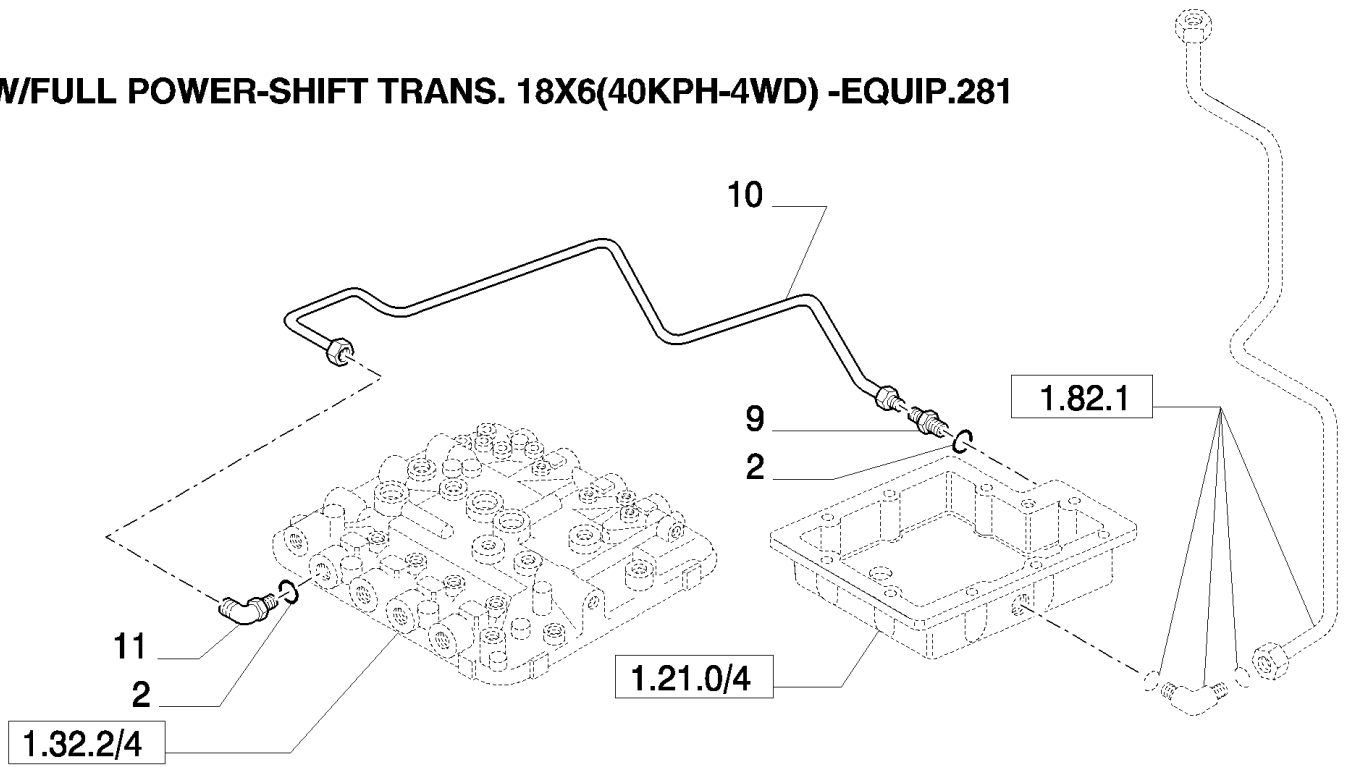
## 1.33.3(04) START HYDRAULIC CLUTCH (4WD)

сылка	Номер детали	Кол-во	Описание
1	5139456	AR	DISC, 7.5mm Thk,
1	5144563	AR	DISC, 7.7mm Thk,
1	5144564	AR	DISC, 7.9mm Thk,
1	5144565	AR	DISC, 8.1mm Thk,
1	5144566	AR	DISC, 8.3mm Thk,
1	5144567	AR	DISC, 8.5mm Thk,
1	5144568	AR	DISC, 8.7mm Thk,
1	5156715	AR	DISC, 7.3mm Thk,
1	5156716	AR	DISC, 7.1mm Thk,
1	5156857	AR	DISC, 8.9mm Thk,
1	5156858	AR	DISC, 9.1mm Thk,
1	5156859	AR	DISC, 9.3mm Thk,
1	5156860	AR	DISC, 9.5mm Thk,
1	5156861	AR	DISC, 9.7mm Thk,
1	5156862	AR	DISC, 9.9mm Thk,
1	5156863	AR	DISC, 10.1mm Thk,

1.33.3(05) START HYDRAULIC CLUTCH (4WD)



**W/FULL POWER-SHIFT TRANS. 18X6(40KPH-4WD) -EQUIP.281**

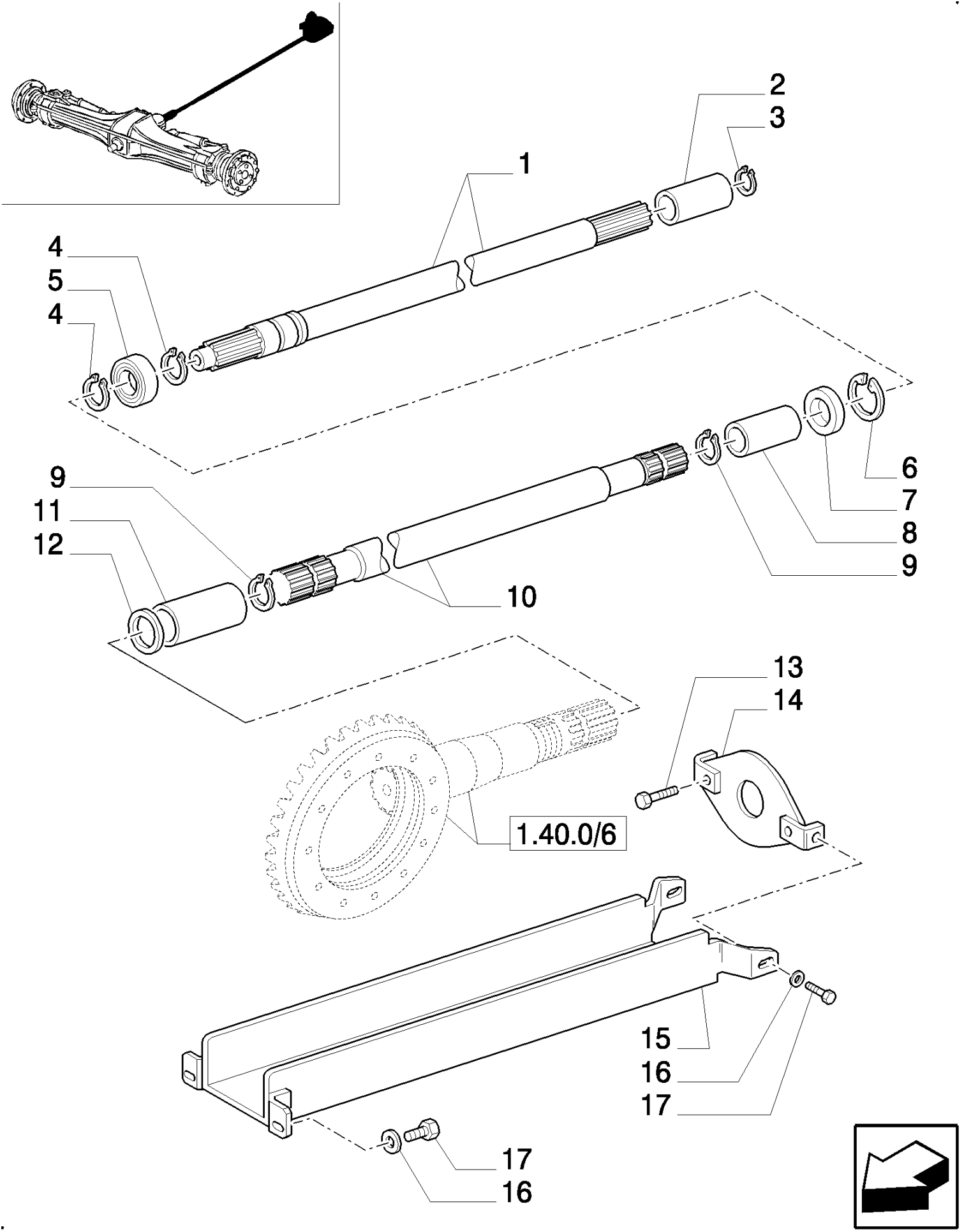


## MXM155 CASE IH TRACTOR (6/02- )

## 1.33.3(05) START HYDRAULIC CLUTCH (4WD)

сылка	Номер детали	Кол-во	Описание
1	5169273	1	TUBE, HYD, , W/Semi Power Shift Trans. 17 x 6 (JAPAN) Equip. 084
2	14437985	AR	O-RING, 15.3MM ID x 2.4 Thk,
3	10902624	1	BOLT, Hex, M6 x 25, 8.8, Full Thd,
4	5156399	2	CLAMP,
5	15896221	1	NUT, M6, CI 10,
6	5169272	1	CONNECTOR, HYD.,
7	4858607	1	WASHER, COPPER,
8	82031395	1	SWITCH, PRESSURE, Trans. Oil
9	5158805	1	CONNECTOR, HYD.,
10	5175485	1	TUBE, HYD, , W/Full Power Shift Trans. 17 x 6 (JAPAN) Equip. 085, W/Full Power Shift Trans. 18 x 6 (40KPH 4WD) Equip. 281
11	5155452	1	ELBOW, , W/Full Power Shift Trans. 18 x 6 (40KPH 4WD) Equip. 281, W/Semi Power Shift Trans. 17 x 6 (JAPAN) Equip. 084 or W/Full Power Shift Trans. 17 x 6 (JAPAN) Equip. 085

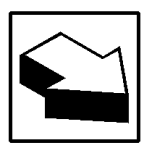
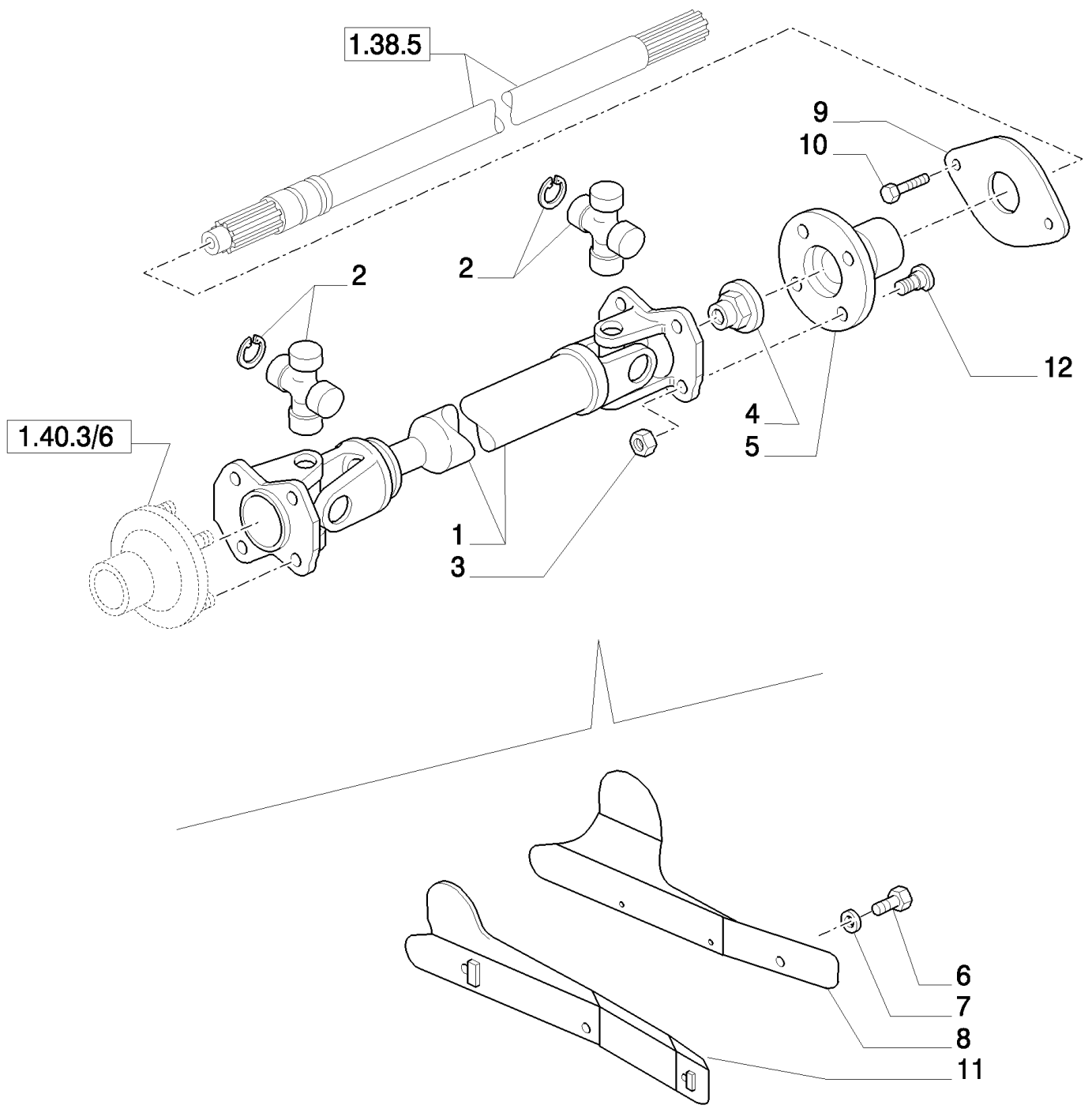
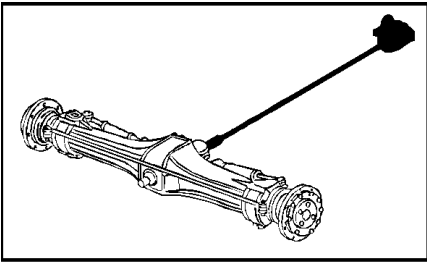
1.38.5(02) FRONT AXLE PROPELLER SHAFT (4WD)



## MXM155 CASE IH TRACTOR (6/02- )

## 1.38.5(02) FRONT AXLE PROPELLER SHAFT (4WD)

сылка	Номер детали	Кол-во	Описание
1	5184027	1	SHAFT, DRIVE, Rear
2	5172239	1	SLEEVE, 80.5 mm lg - Rear
3	11058876	1	RING, SNAP, M30, Int,
4	11068876	2	RING, SNAP, M40, Ext,
5	20915780	1	BEARING, BALL, 40 x 80 x 18
6	11061976	1	RING, SNAP, M80, Int,
7	5125897	1	SEAL, 40 x 80 x 12
8	5183663	1	SEAL, 110 mm lg - Mid.
9	5109282	2	RING, SNAP,
10	5183667	1	SHAFT, DRIVE, Front
11	4994076	1	SLEEVE, 80.5 mm lg - Front
12	5118722	AR	SHIM, 1.0 mm
12	5118723	AR	SHIM, 1.2 mm
12	5118724	AR	SHIM, 1.5 mm
12	5118725	AR	SHIM, 1.8 mm
13	11306924	2	BOLT, Hex, M10 x 1.25 x 30, 8.8, Full Thd,
14	5191197	1	FLANGE,
15	47125905	1	SHIELD,
16	11198179	4	WASHER, SPRING, Belleville, M8.4,
17	82019896	4	SCREW, M8 x 1.25 x 16



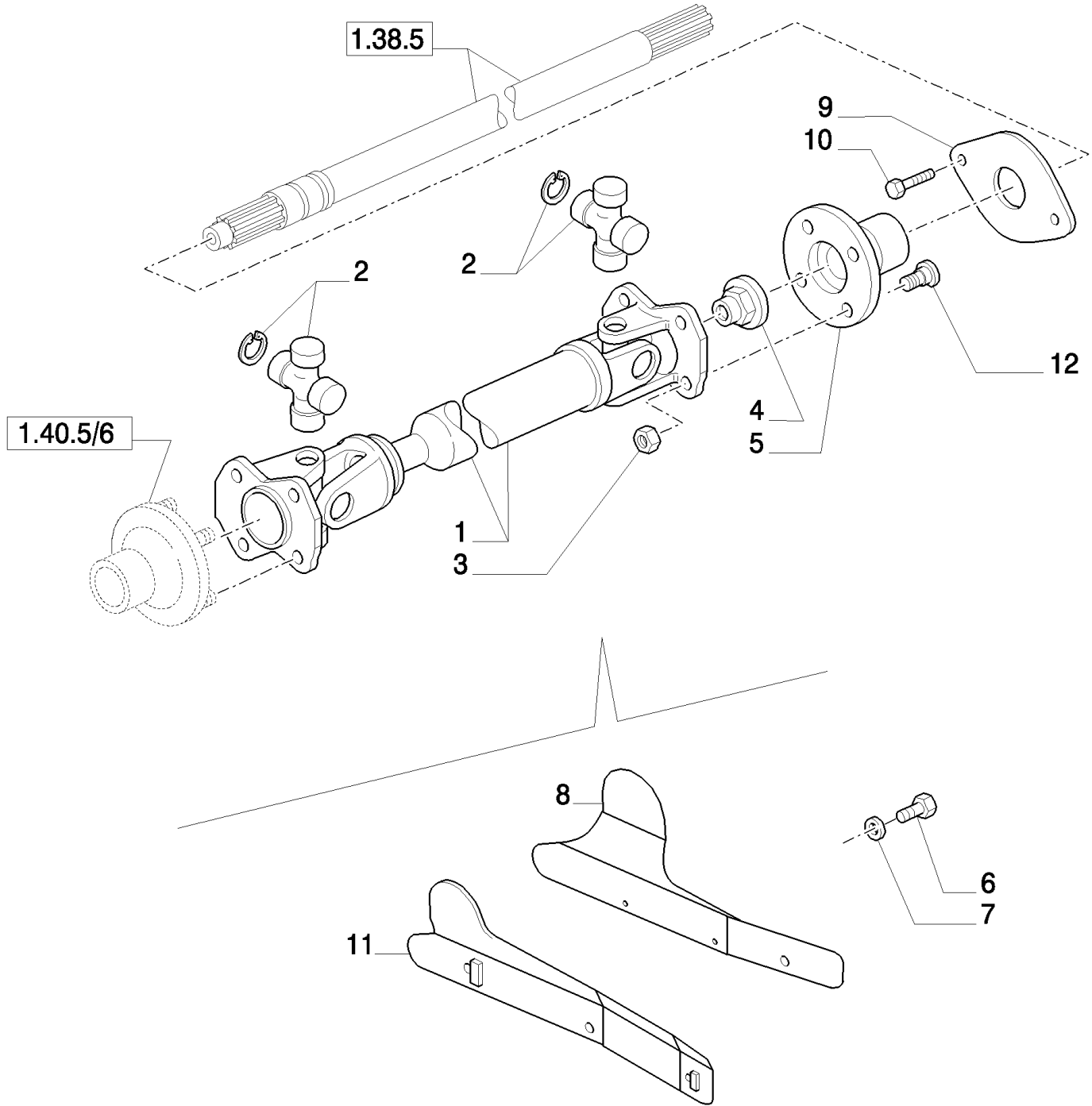
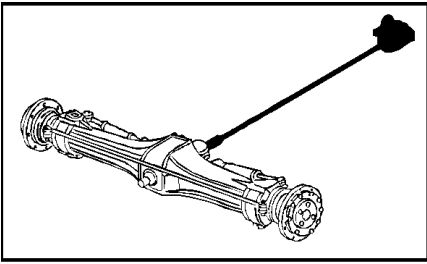
## MXM155 CASE IH TRACTOR (6/02- )

1.38.5/01 (VAR.420) 4WD FRONT AXLE WITH SUSP. AND TERRALOCK - SEMI POWER SHIFT - FRONT AXLE PROPELLER SHAF

сылка	Номер детали	Кол-во	Описание
1	87541257	1	SHAFT, DRIVE,
2	87530319	2	SPIDER, U-JOINT,
3	82936516	8	NUT, 7/16"- 20, -C5536
3	87550809	8	NUT, 7/16"-20, D5536-
4	5111953	1	NUT, M24 x 20
5	5190331	1	FLANGE, Incl. 12
6	43138	AR	SCREW, Hex, M10 x 20, 8.8, Full Thd,
6	80043140	1	BOLT, Hex, M10 x 30, 8.8,
7	12626204	AR	WASHER, M10 x 25 x 3,
8	82022171	1	GUARD, LH
9	5186750	1	FLANGE,
10	15970724	2	BOLT, Hex, M10 x 1.25 x 25, 8.8, Full Thd,
11	82021896	1	GUARD, RH
12	5190329	4	SCREW, , -C5536
12	87550808	4	SCREW, , D5536-

D5536 After Date 17 October 2006

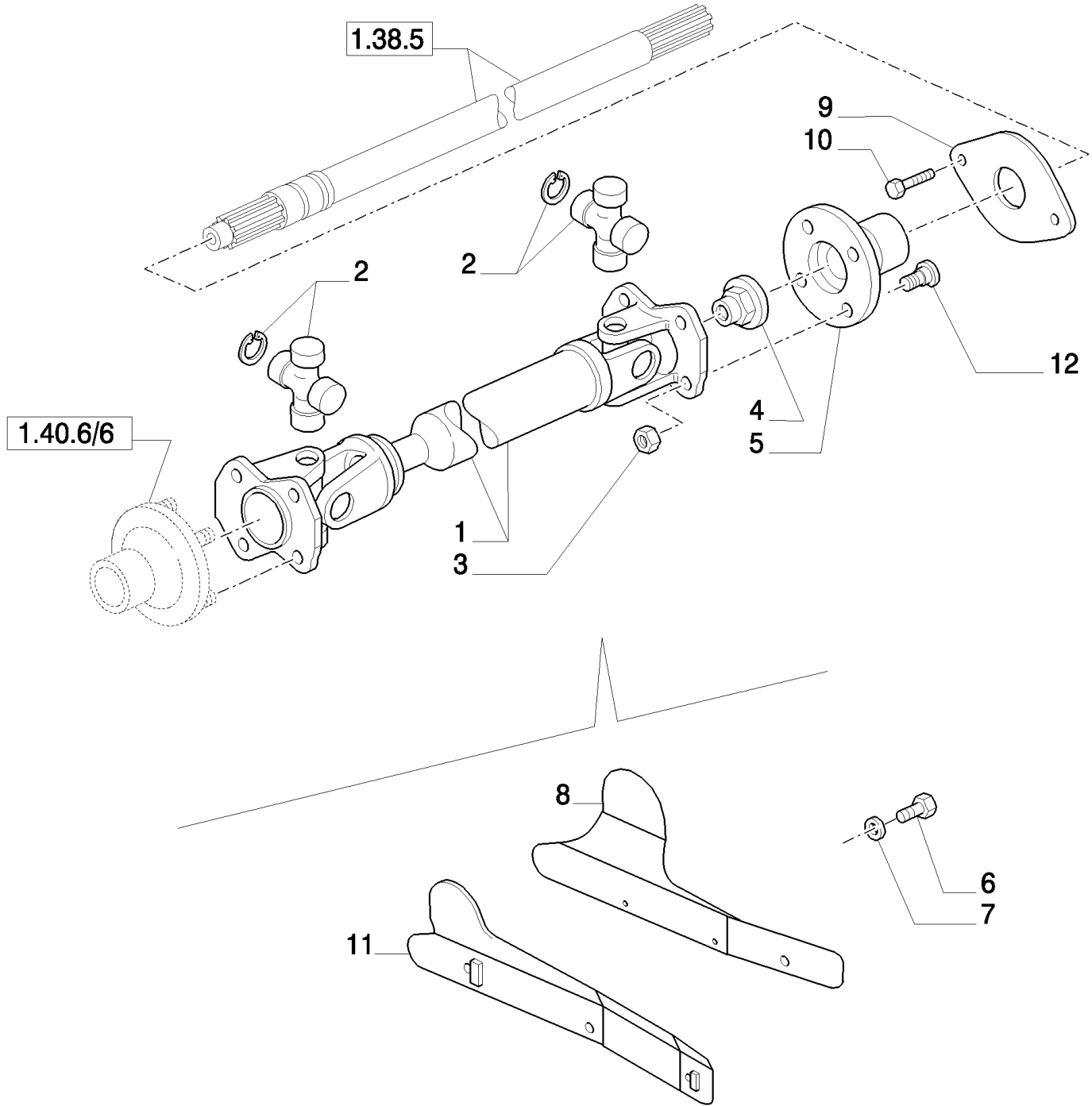
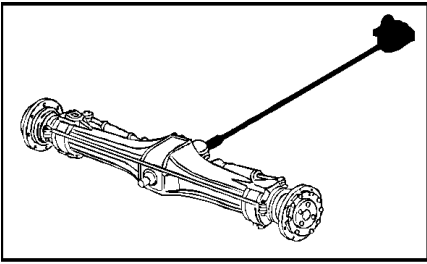




## MXM155 CASE IH TRACTOR (6/02- )

## 1.38.5/05 (VAR.452/1) 4WD FRONT AXLE WITH SUSPENSIONS, BRAKE, TERRALOCK, SPS - DRIVE SHAFT

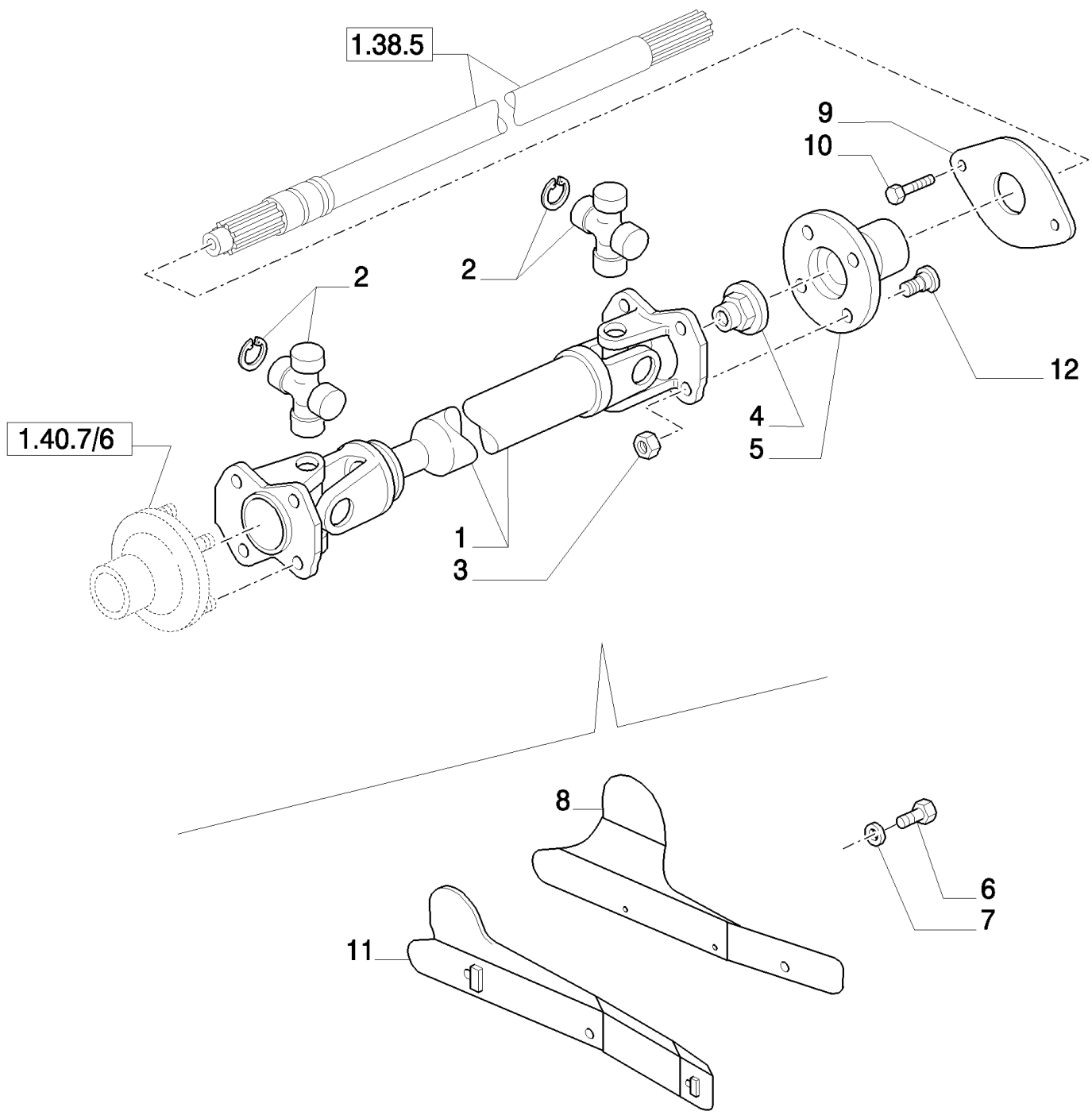
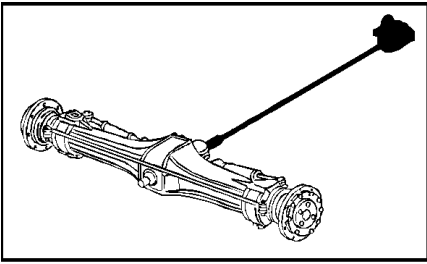
сылка	Номер детали	Кол-во	Описание
1	87541257	1	SHAFT, DRIVE,
2	87530319	2	SPIDER, U-JOINT,
3	82936516	8	NUT, 7/16"- 20, -C5536
3	87550809	8	NUT, 7/16"-20, D5536-
4	5111953	1	NUT, M24 x 20
5	5190331	1	FLANGE, Incl. 12
6	43138	AR	SCREW, Hex, M10 x 20, 8.8, Full Thd,
6	80043140	1	BOLT, Hex, M10 x 30, 8.8,
7	12626204	AR	WASHER, M10 x 25 x 3,
8	82022171	1	GUARD, LH
9	5186750	1	FLANGE,
10	15970724	2	BOLT, Hex, M10 x 1.25 x 25, 8.8, Full Thd,
11	82021896	1	GUARD, RH
12	5190329	4	SCREW, , -C5536
12	87550808	4	SCREW, , D5536-



## MXM155 CASE IH TRACTOR (6/02- )

## 1.38.5/06 (VAR.463) 4WD FRONT AXLE WITH SUSPENSIONS, FULL POWER SHIFT - DRIVE SHAFT

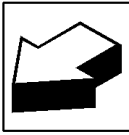
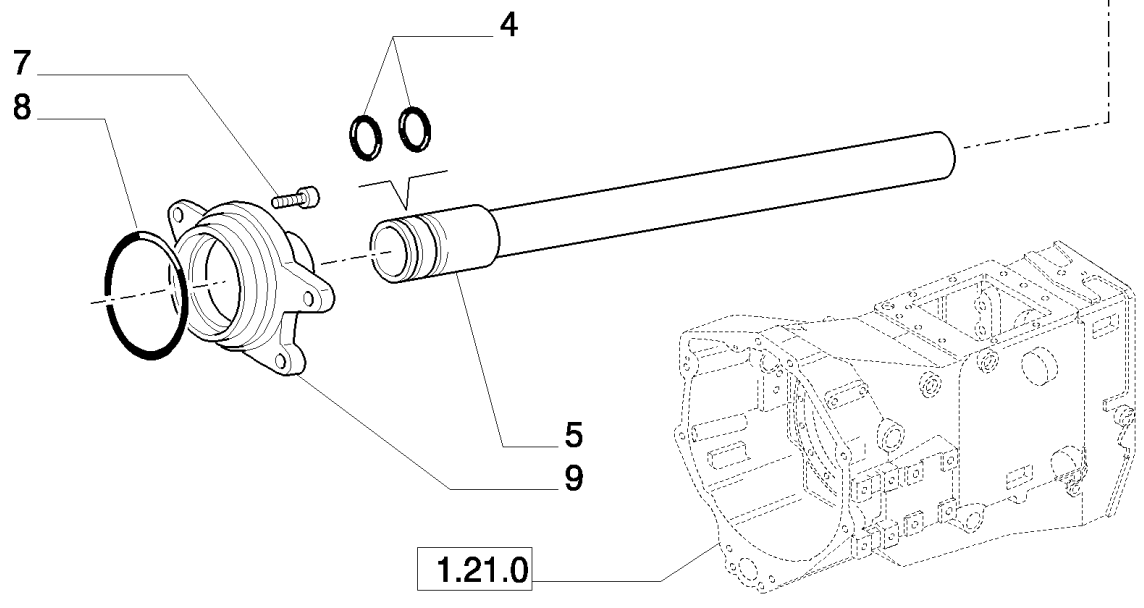
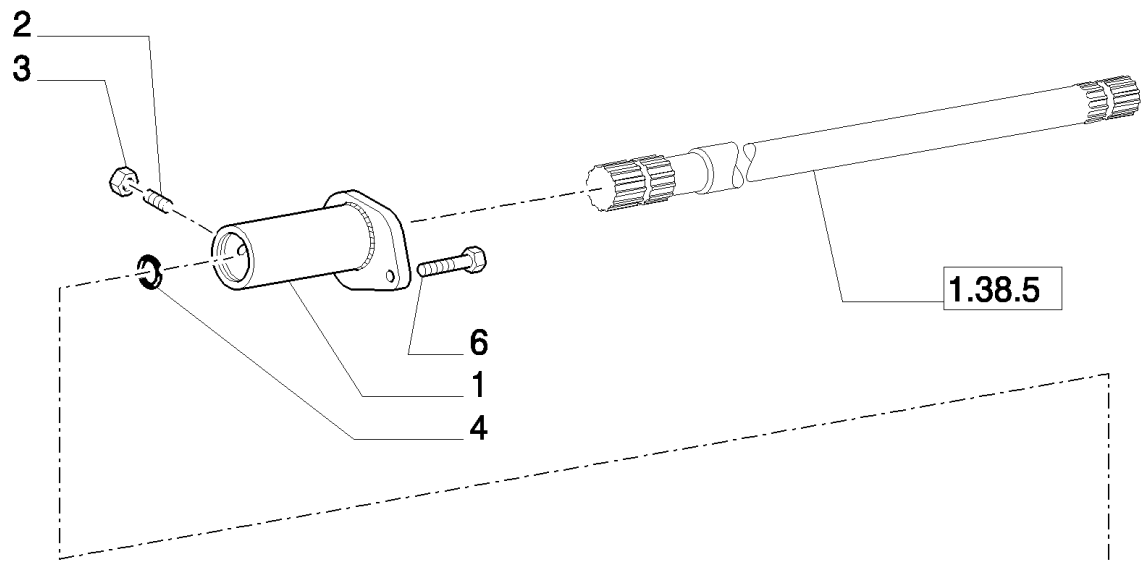
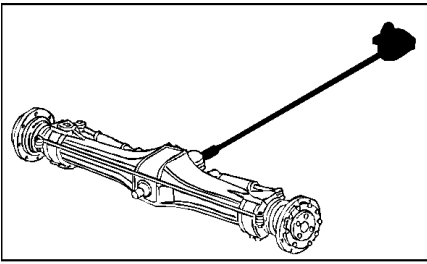
сылка	Номер детали	Кол-во	Описание
1	87541257	1	SHAFT, DRIVE,
2	87530319	2	SPIDER, U-JOINT,
3	82936516	8	NUT, 7/16"- 20, -C5536
3	87550809	8	NUT, 7/16"-20, D5536-
4	5111953	1	NUT, M24 x 20
5	5190331	1	FLANGE, Incl. 12
6	43138	AR	SCREW, Hex, M10 x 20, 8.8, Full Thd,
6	80043140	1	BOLT, Hex, M10 x 30, 8.8,
7	12626204	AR	WASHER, M10 x 25 x 3,
8	82022171	1	GUARD, LH
9	5186750	1	FLANGE,
10	15970724	2	BOLT, Hex, M10 x 1.25 x 25, 8.8, Full Thd,
11	82021896	1	GUARD, RH
12	5190329	4	SCREW, , -C5536
12	87550808	4	SCREW, , D5536-



## MXM155 CASE IH TRACTOR (6/02- )

## 1.38.5/07 (VAR.463/1) 4WD FRONT AXLE WITH SUSPENSIONS, BRAKE, TERRALOCK, FPS - DRIVE SHAFT

сылка	Номер детали	Кол-во	Описание
1	87541257	1	SHAFT, DRIVE,
2	87530319	2	SPIDER, U-JOINT,
3	82936516	8	NUT, 7/16"- 20, -C5536
3	87550809	8	NUT, 7/16"-20, D5536-
4	5111953	1	NUT, M24 x 20
5	5190331	1	FLANGE, Incl. 12
6	43138	AR	SCREW, Hex, M10 x 20, 8.8, Full Thd,
6	80043140	1	BOLT, Hex, M10 x 30, 8.8,
7	12626204	AR	WASHER, M10 x 25 x 3,
8	82022171	1	GUARD, LH
9	5186750	1	FLANGE,
10	15970724	2	BOLT, Hex, M10 x 1.25 x 25, 8.8, Full Thd,
11	82021896	1	GUARD, RH
12	5190329	4	SCREW, , -C5536
12	87550808	4	SCREW, , D5536-



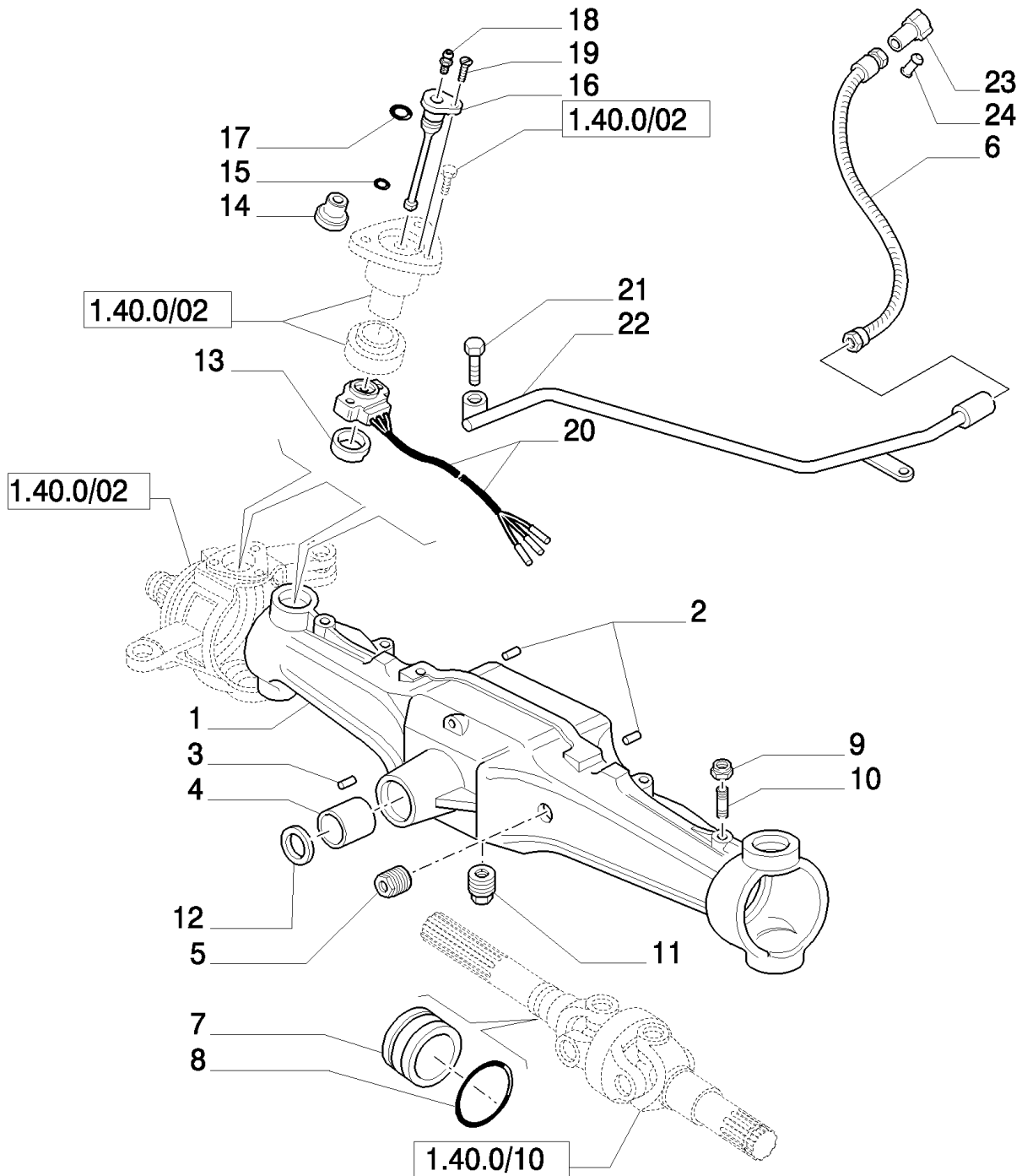
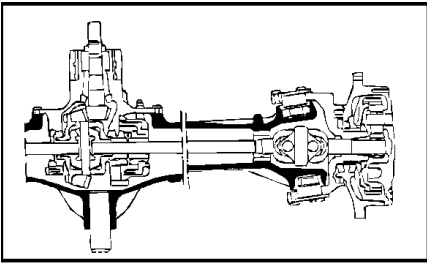
## MXM155 CASE IH TRACTOR (6/02- )

## 1.38.8/01 (VAR.436/1) RICE VERSION FOR FULL POWER-SHIFT &amp; SEMI POWER-SHIFT TRANSMISSIONS

сылка	Номер детали	Кол-во	Описание
1	5183981	1	FLANGE,
2	13809631	1	SET SCREW, Hex Soc, M10 x 20, Flat Pt,
3	10791024	1	NUT, Thin, M10 x 1.25, CI 05,
4	14459480	1	O-RING, -136, 90 Duro, 1.987" ID x .103" Thk,
4	14459880	2	O-RING, -140, 90 Duro, 2.237" ID x .103" Thk,
5	5190731	1	SHIELD,
6	14459880	2	O-RING, -140, 90 Duro, 2.237" ID x .103" Thk,
6	11306924	2	BOLT, Hex, M10 x 1.25 x 30, 8.8, Full Thd,
7	16043624	4	BOLT, Hex, M8 x 25, 8.8, Full Thd,
8	14461680	1	O-RING, -158, 70 Duro, 4.737" ID x .103" Thk,
9	5148529	1	SLEEVE,



1.40.0/01(02) 4WD FRONT AXLE - HOUSING

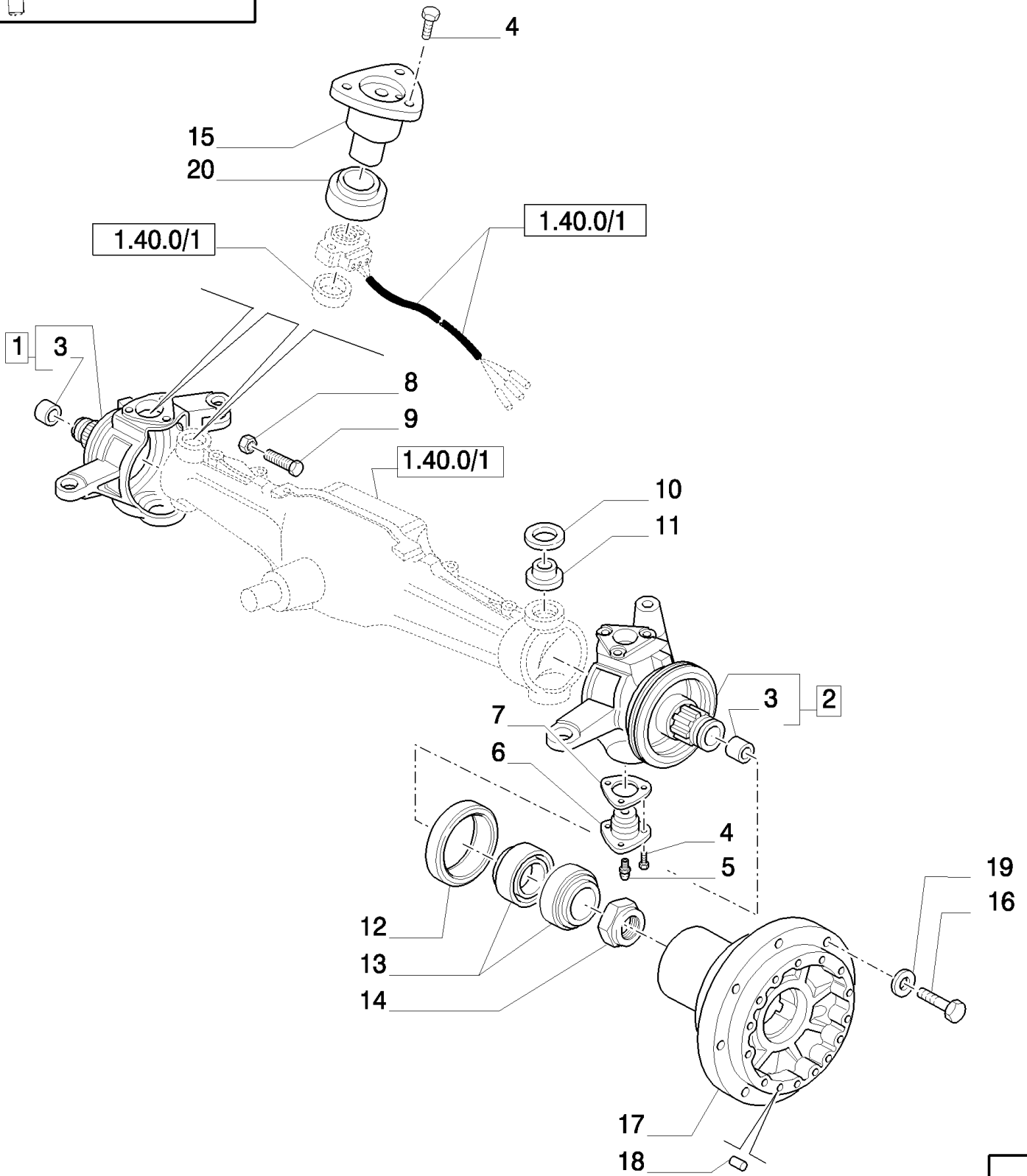
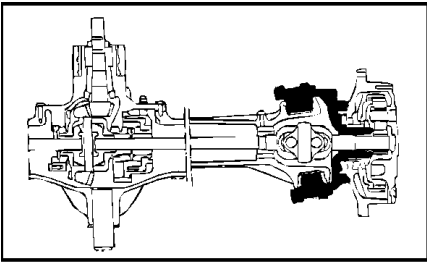


## MXM155 CASE IH TRACTOR (6/02- )

## 1.40.0/01(02) 4WD FRONT AXLE - HOUSING

сылка	Номер детали	Кол-во	Описание
1	47123961	1	HOUSING, AXLE, Incl. 2, 3, 4, -C5196
1	87309483	1	HOUSING, AXLE, Incl. 2, 3, 4, D5196-
2	4988170	2	DOWEL, M10 x 20
3	4966244	1	DOWEL, M5 x 15
4	5140170	1	PIN,
5	14324411	1	PLUG,
6	82016109	1	SHEATH, FLEXIBLE,
7	5134277	2	SLEEVE, , -C5243
7	87371236	2	BUSHING, , D5243-
8	14461180	2	O-RING, -153, 70 Duro, 3.487" ID x .103" Thk, , -C5243
8	14465680	2	O-RING, -238, 70 Duro, 3.484" ID x .139" Thk, , D5243-
9	16101524	2	NUT, M12 x 1.25, CI 10,
10	87316865	2	SCREW,
11	14326211	1	PLUG, Magnetic
12	5140888	1	RING, , -C5196
13	5168958	1	SUPPORT, , -C5196
14	5175211	1	SLEEVE, , -C5196
15	14452780	1	O-RING, -010, 70 Duro, .239" ID x .070" Thk, (M6.07 ID x 1.78 Thk), -C5196
16	5178653	1	PIN, , -C5196
17	14453081	1	O-RING, -013, CI 7, .426" ID x .070" Thk, (M10.82 ID x 1.78 Thk), -C5196
18	13406811	1	NIPPLE, LUBE, 45с, 1/4" NPT x .81" lg, , -C5196
19	10384911	1	SCREW, M5 x 12, -C5196
20	82019691	1	SENSOR, Steering Angle, -C5196
20	87303761	1	SENSOR, Steering Angle, D5196-
21	15540824	1	BOLT, Hex, M12 x 1.25 x 50, 8.8,
22	5192696	1	TUBE,
23	82918426	1	CONNECTOR, ELEC, Incl. Ref. 24
24	82918419	1	PLUG,

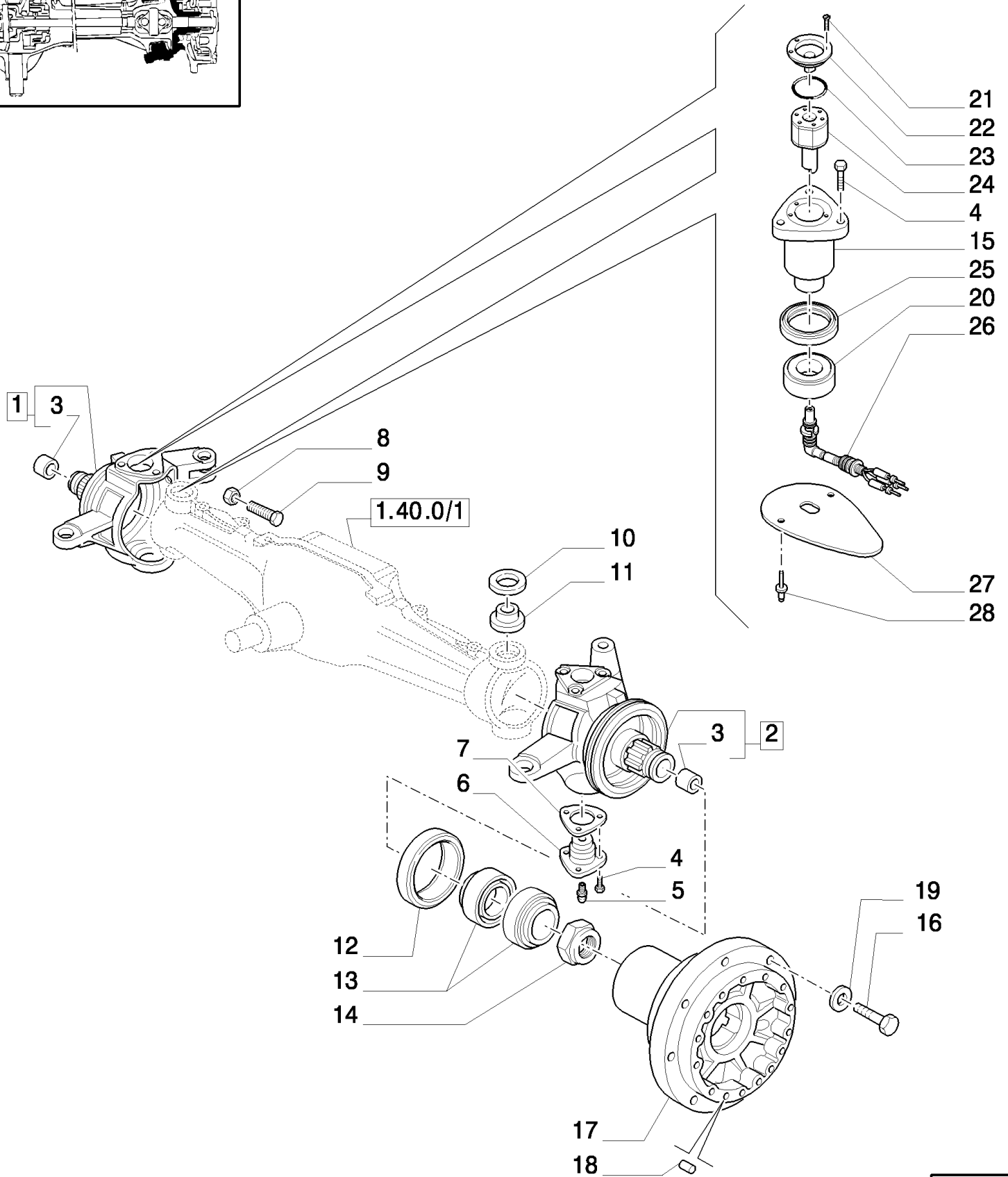
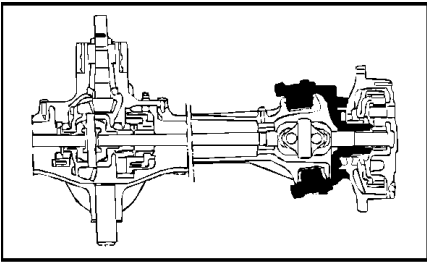
D5195 After Date 18 July 2005 (See also Sgr. 1.40.0/02) D5243 After Date 19 September 2006



## MXM155 CASE IH TRACTOR (6/02- )

## 1.40.0/02(02) 4WD FRONT AXLE - STEERING AXLES - HUBS - C5196

сылка	Номер детали	Кол-во	Описание
1	5171706	1	KNUCKLE, STEERING, RH
2	5171704	1	KNUCKLE, STEERING, LH
3	5105321	2	BUSHING, 45 x 50 x 30
4	14274534	12	BOLT, Hex, M12 x 1.25 x 30,
5	5120532	2	NIPPLE, LUBE, M14 x 1.5,
5	5191671	1	NIPPLE, LUBE, 45с, M14 x 1.5,
6	5137138	3	PIN, BALL,
7	5137114	AR	SHIM, .10mm Thk,
7	5137115	AR	SHIM, .15mm Thk,
8	10717611	2	NUT, Thin, M18 x 2.5, CI 04,
9	5179447	2	SCREW,
10	5121907	4	SEAL,
11	5119660	3	BALL JOINT,
12	5178141	2	SEAL, 190 x 220 x 14.5-18
13	5133737	4	BEARING, ROLLER, TAPERED, 109.588 x 158.750 x 23.02
14	5141692	2	NUT, RING, M90 x 22
15	5175208	1	PIN,
16	11390534	16	BOLT, Hex, M16 x 40, 10.9, Full Thd,
17	5156065	2	HUB,
18	4985063	4	DOWEL,
19	5100516	16	WASHER, M17 x 32 x 5
20	5169911	1	BALL JOINT, 80 mm ID

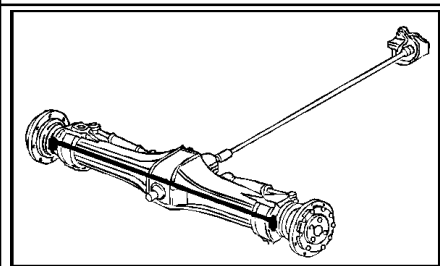


## MXM155 CASE IH TRACTOR (6/02-)

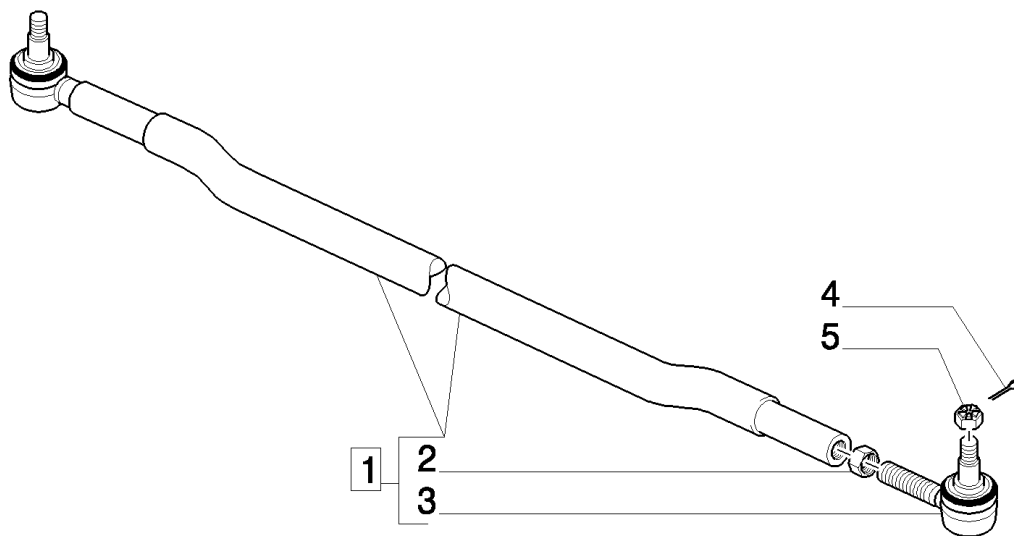
## 1.40.0/02(02A) 4WD FRONT AXLE - STEERING AXLES - HUBS - D5196

сылка	Номер детали	Кол-во	Описание
1	5171706	1	KNUCKLE, STEERING, RH
2	5171704	1	KNUCKLE, STEERING, LH
3	5105321	2	BUSHING, 45 x 50 x 30
4	14274534	12	BOLT, Hex, M12 x 1.25 x 30,
5	5120532	2	NIPPLE, LUBE, M14 x 1.5,
5	5191671	1	NIPPLE, LUBE, 45с, M14 x 1.5,
6	5137138	3	PIN, BALL,
7	5137114	AR	SHIM, .10mm Thk,
7	5137115	AR	SHIM, .15mm Thk,
8	10717611	2	NUT, Thin, M18 x 2.5, CI 04,
9	5179447	2	SCREW,
10	5121907	4	SEAL,
11	5119660	3	BALL JOINT,
12	5178141	2	SEAL, 190 x 220 x 14.5-18
13	5133737	4	BEARING, ROLLER, TAPERED, 109.588 x 158.750 x 23.02
14	5141692	2	NUT, RING, M90 x 22
15	87309308	1	PIN, BALL,
16	11390534	16	BOLT, Hex, M16 x 40, 10.9, Full Thd,
17	5156065	2	HUB, , -C5201
17	87341364	2	HUB, , D5201-
18	4985063	4	DOWEL,
19	5100516	16	WASHER, M17 x 32 x 5
20	47137676	1	BALL JOINT, 80 mm ID
21	10384911	3	SCREW, M5 x 12
22	87309292	1	PIN,
23	14458280	1	O-RING, -124, 70 Duro, 1.237" ID x .103" Thk,
24	87303761	1	SENSOR, Steering
25	47137701	1	SEAL,
26	87303770	1	CONNECTOR, ELEC,
27	87315098	1	SHIELD,
28	14643091	2	RIVET,

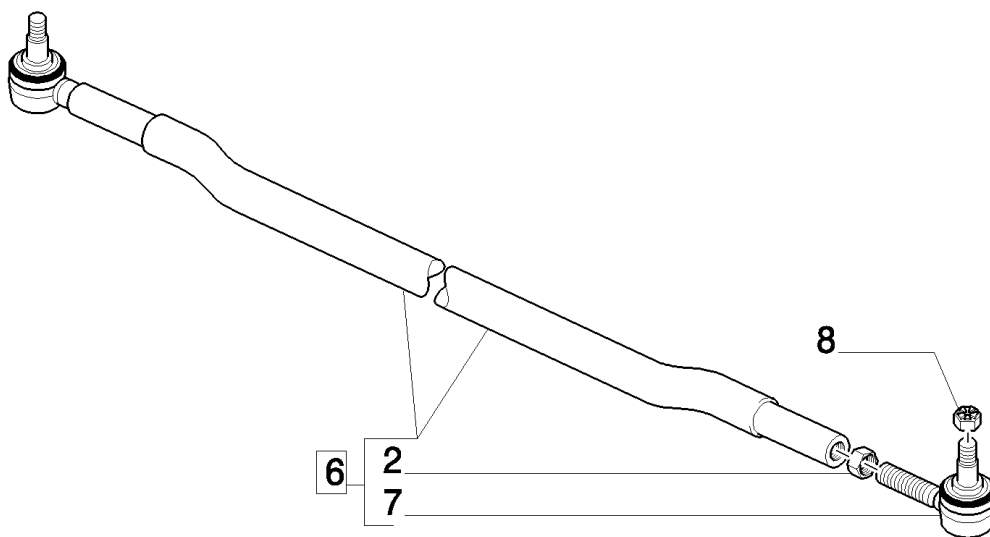
D5196 After Date 18 July 2005 D5201 After Date 01 June 2005



MXM120 -MXM130 - MXM140 - MXM155



MXM175 -MXM190

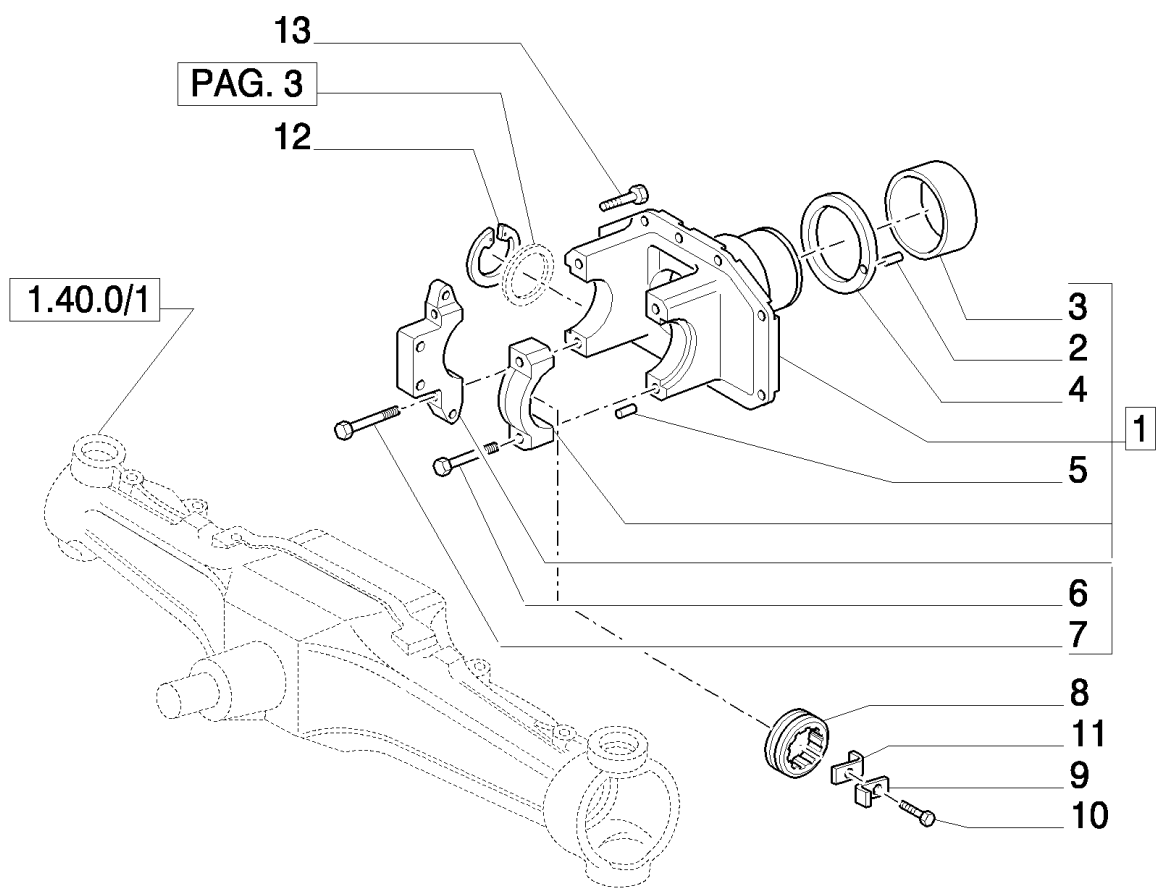
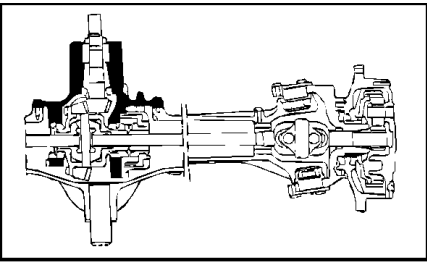


## MXM155 CASE IH TRACTOR (6/02- )

## 1.40.0/04 4WD FRONT AXLE - LINK

сылка	Номер детали	Кол-во	Описание
1	5168941	1	TRACK ROD ASSY, MXM120, MXM130, MXM140
1	5177449	1	TRACK ROD ASSY, MXM155
2	10726911	1	NUT, Thin, M24 x 1.5, CI 04,
3	5117314	1	TRACK ROD END, M18 x M24 Threads
4	10733801	2	PIN, SPLIT (COTTER), M4 x 36,
5	10724611	2	NUT, M18 x 1.5
5	12576014	2	NUT, LOCK, M18 x 1.5,
6	5198879	1	TRACK ROD ASSY, MXM175, MXM190
7	5198880	1	TRACK ROD END,
8	12577011	2	NUT, LOCK, M20 x 1.5, CI 8,

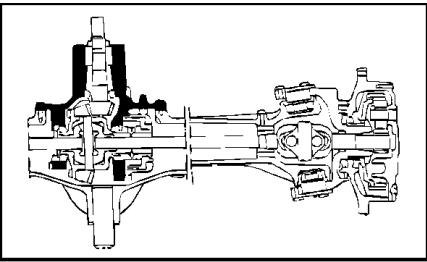




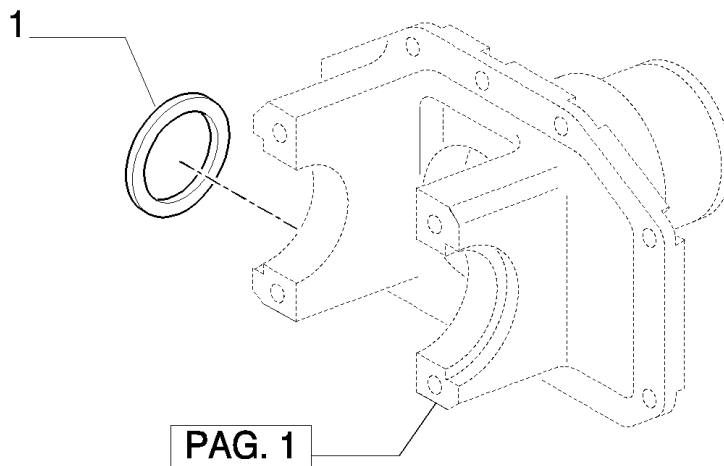
## MXM155 CASE IH TRACTOR (6/02- )

## 1.40.0/05(02) 4WD FRONT AXLE - SUPPORT

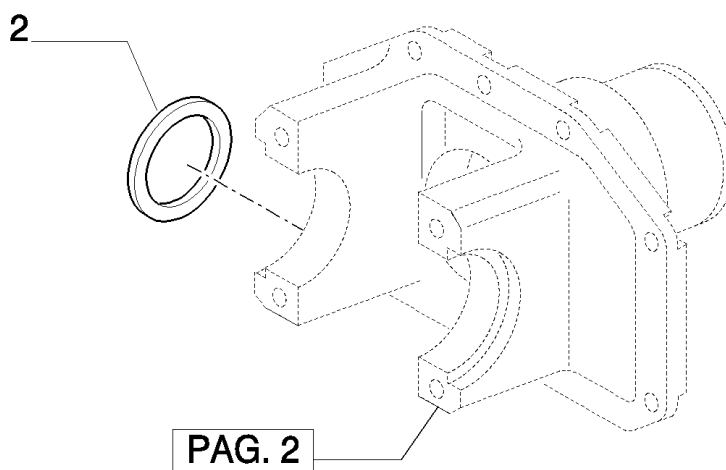
сылка	Номер детали	Кол-во	Описание
1	5182885	1	SUPPORT,
2	4966244	1	DOWEL, M5 x 15
3	5136116	1	BUSHING, 105 x 115.5 x 72
4	5136115	1	RING, 105 x 148 x 5
5	4966530	4	DOWEL, M6 x 18
6	14255330	2	SCREW, M14 x 1.5 x 75
7	14255731	2	BOLT, Hex, M14 x 1.5 x 90,
8	5110423	1	NUT, RING, M115 x 15
9	562659	1	PLATE,
10	15970524	1	BOLT, Hex, M10 x 1.25 x 20, 8.8, Full Thd,
11	4966243	1	CLIP,
12	11075476	1	RING, SNAP, M110, Int,
13	14274631	14	BOLT, Hex, M12 x 1.25 x 35,



MXM120 -MXM130 - MXM140



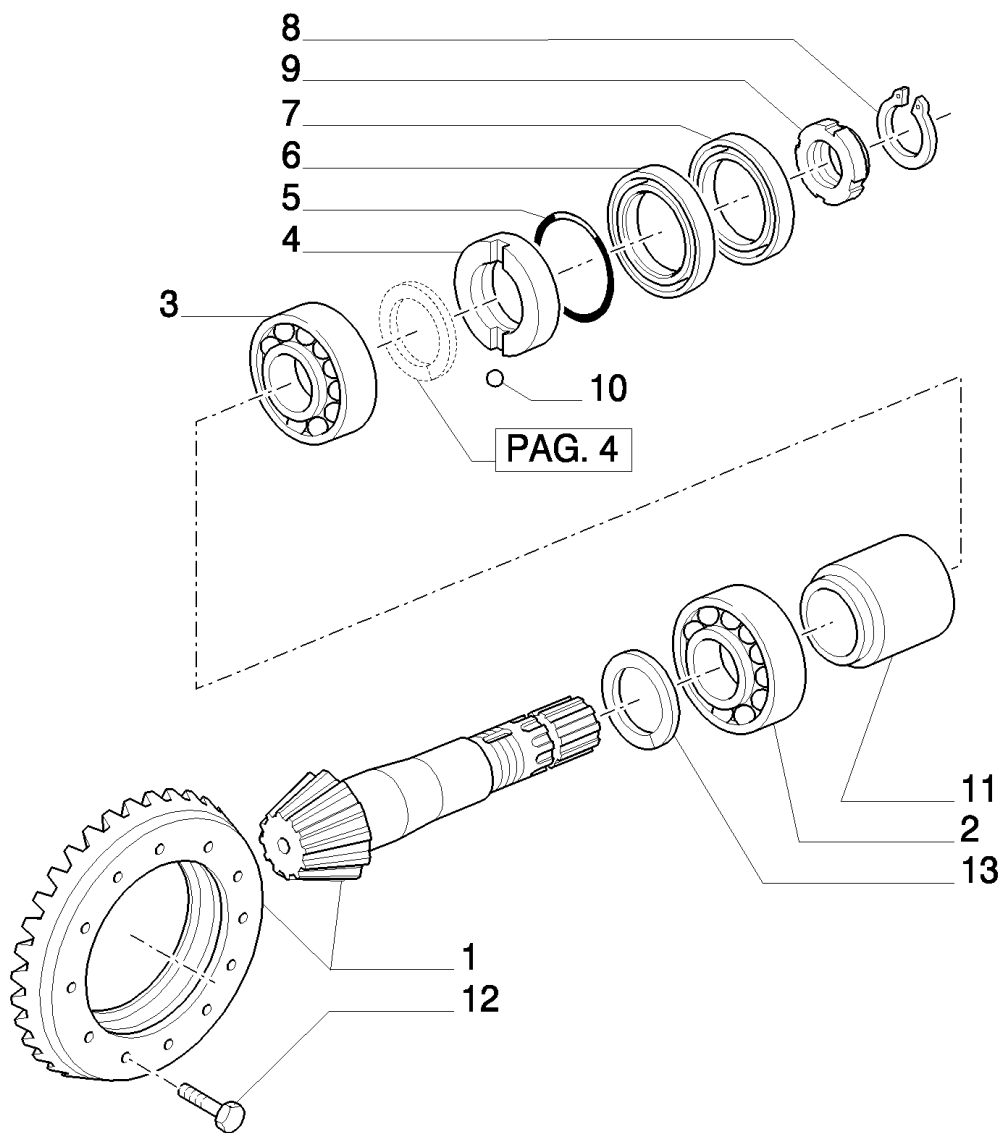
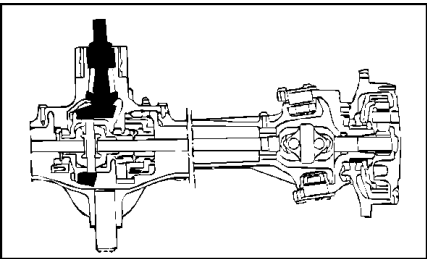
MXM155 - MXM175 -MXM190



## MXM155 CASE IH TRACTOR (6/02- )

## 1.40.0/05(03) 4WD FRONT AXLE - SUPPORT

сылка	Номер детали	Кол-во	Описание
1	5141460	AR	SHIM, 0.9mm Thk,
1	5141461	AR	SHIM, 1.0mm Thk,
1	5141462	AR	SHIM, 1.1mm Thk,
1	5141463	AR	SHIM, 1.2mm Thk,
1	5141464	AR	SHIM, 1.3mm Thk,
1	5141465	AR	SHIM, 1.4mm Thk,
1	5141466	AR	SHIM, 1.5mm Thk,
1	5141467	AR	SHIM, 1.6mm Thk,
1	5141468	AR	SHIM, 1.7mm Thk,
1	5141469	AR	SHIM, 1.8mm Thk,
2	5135019	AR	SHIM, 1.0mm Thk,
2	5135020	AR	SHIM, 1.1mm Thk,
2	5135021	AR	SHIM, 1.2mm Thk,
2	5135022	AR	SHIM, 1.3mm Thk ,
2	5135023	AR	SHIM, 1.4mm Thk,
2	5135024	AR	SHIM, 1.5mm Thk,
2	5135025	AR	SHIM, 1.6mm Thk,
2	5135026	AR	SHIM, 1.7mm Thk,
2	5135027	AR	SHIM, 1.8mm Thk,
2	5135028	AR	SHIM, 1.9mm Thk,



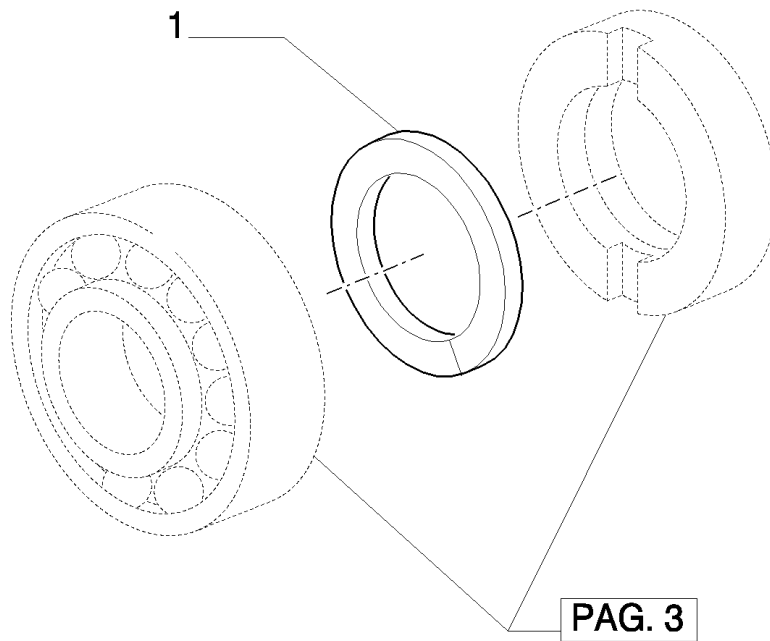
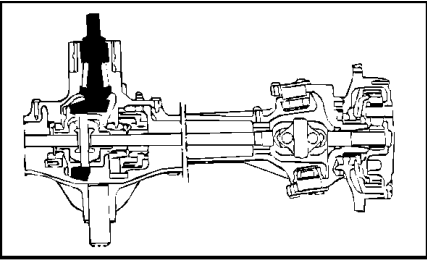
PAG. 4



## MXM155 CASE IH TRACTOR (6/02- )

## 1.40.0/06(03) 4WD FRONT AXLE - BEVEL GEAR PAIR

сылка	Номер детали	Кол-во	Описание
1	5146255	1	GEAR SET, Assy (Ratio 10/34)
2	5143109	1	BEARING, ROLLER, TAPERED, 41.275 x 82.550 x 26.543
3	5141714	1	BEARING, ROLLER, TAPERED, 45 x 100 x 38.25
4	5143112	1	RING,
5	14454580	1	O-RING, -028, 70 Duro, 1.364" ID x .070" Thk, (M34.65 ID x 1.78 Thk)
6	5111415	1	SEAL, 57 x 85 x 12
7	5109309	1	SEAL PROTECTION,
8	5109282	1	RING, SNAP,
9	5119147	1	NUT, M40 x 1.5 x 19.5
10	20419320	1	BALL,
11	5169286	AR	SPACER,
12	14274631	12	BOLT, Hex, M12 x 1.25 x 35,
13	7888012	AR	RING, 45.1 x 58 x 0.5 mm
13	5121690	AR	RING, M45.1 x 58 x 2.3,
13	5121691	AR	RING, M45.1 x 58 x 2.4,
13	4999063	AR	RING, M45.1 x 58 x 2.5,
13	4999064	AR	RING, M45.1 x 58 x 2.6 ,
13	4999065	AR	RING, M45.1 x 58 x 2.7 ,
13	4999066	AR	RING, M45.1 x 58 x 2.8,
13	4999067	AR	RING, M45.1 x 58 x 2.9 ,

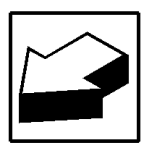
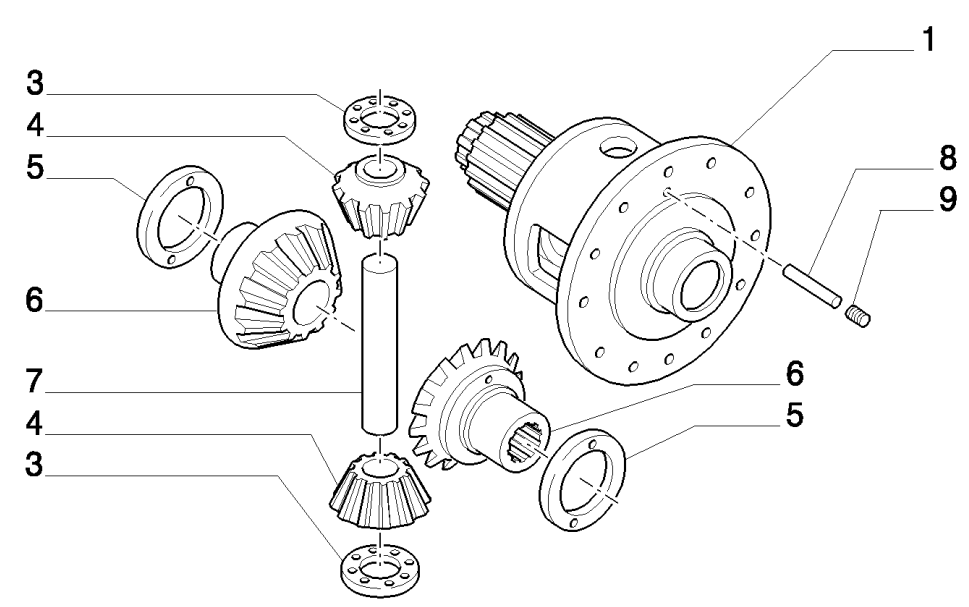
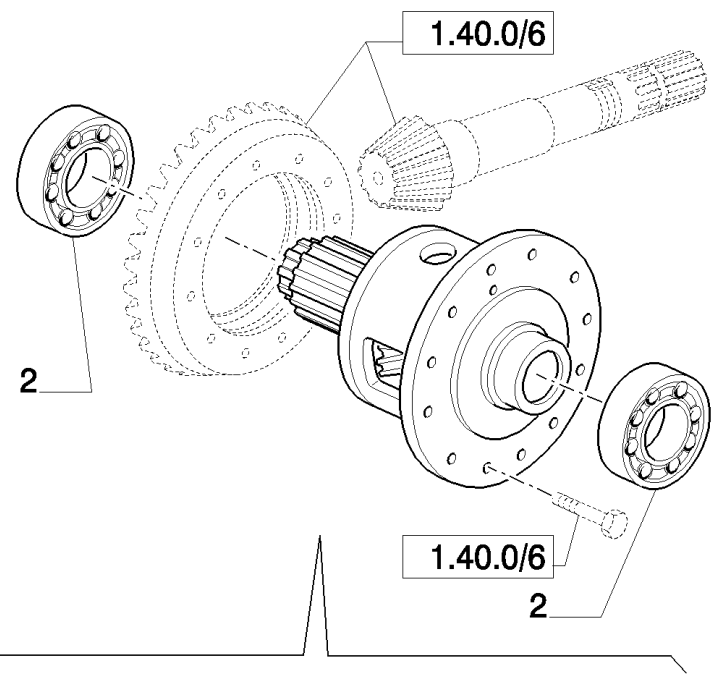
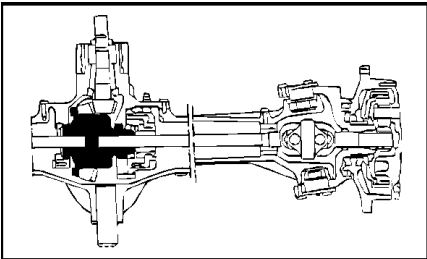


## MXM155 CASE IH TRACTOR (6/02- )

## 1.40.0/06(04) 4WD FRONT AXLE - BEVEL GEAR PAIR

сылка	Номер детали	Кол-во	Описание
1	5169287	AR	SHIM, M41.7 x 48 x 2.20,
1	5169288	AR	SHIM, M41.7 x 48 x 2.25,
1	5169289	AR	SHIM, M41.7 x 48 x 2.30,
1	5169290	AR	SHIM, M41.7 x 48 x 2.35,
1	5169291	AR	SHIM, M41.7 x 48 x 2.40,
1	5169292	AR	SHIM, M41.7 x 48 x 2.45,
1	5169293	AR	SHIM, M41.7 x 48 x 2.50,
1	5169294	AR	SHIM, M41.7 x 48 x 2.55,
1	5169295	AR	SHIM, M41.7 x 48 x 2.60,
1	5169296	AR	RING, M41.7 x 48 x 2.65,
1	5169297	AR	SHIM, M41.7 x 48 x 2.70,
1	5169298	AR	RING, M41.7 x 48 x 2.75,
1	5169299	AR	SHIM, M41.7 x 48 x 2.80,
1	5169300	AR	SHIM, M41.7 x 48 x 2.85,
1	5169301	AR	SHIM, M41.7 x 48 x 2.90,
1	5169302	AR	SHIM, M41.7 x 48 x 2.95,
1	5169303	AR	SHIM, M41.7 x 48 x 3.00 ,
1	5169304	AR	SHIM, M41.7 x 48 x 3.05 ,
1	5169305	AR	SHIM, M41.7 x 48 x 3.10,
1	5169306	AR	SHIM, M41.7 x 48 x 3.15,
1	5169307	AR	SHIM, M41.7 x 48 x 3.20,
1	5169308	AR	SHIM, M41.7 x 48 x 3.25,
1	5169309	AR	SHIM, M41.7 x 48 x 3.30 ,
1	5169310	AR	SHIM, M41.7 x 48 x 3.35,
1	5169311	AR	SHIM, M41.7 x 48 x 3.40,
1	5169312	AR	SHIM, M41.7 x 48 x 3.45 ,

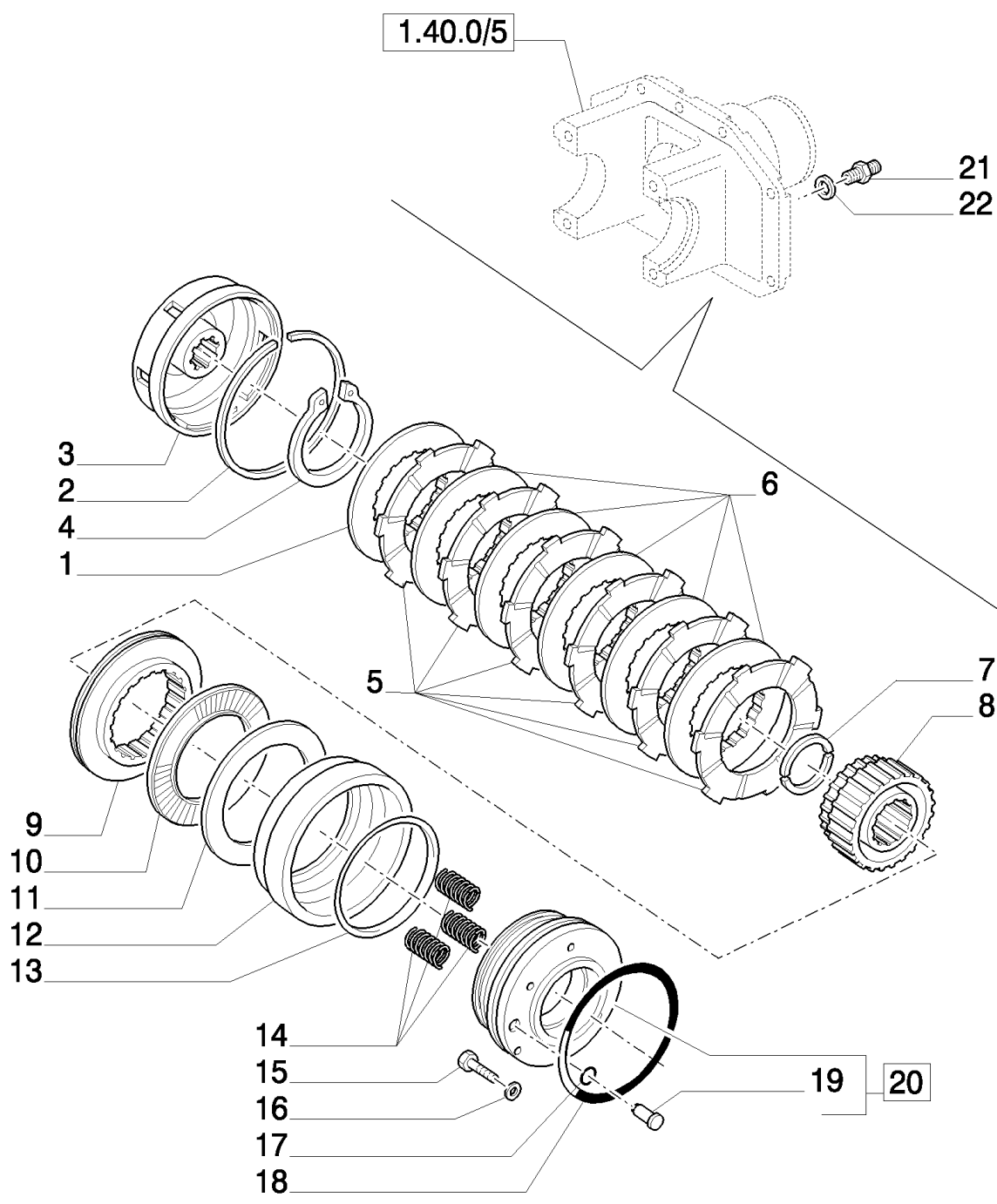
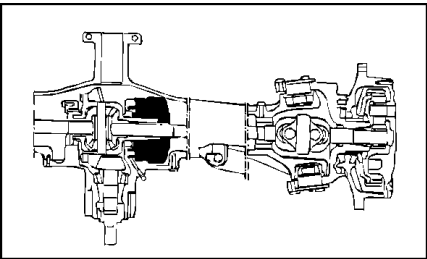




## MXM155 CASE IH TRACTOR (6/02- )

## 1.40.0/07(02) 4WD FRONT AXLE - DIFFERENTIAL LOCKING

сылка	Номер детали	Кол-во	Описание
1	5174845	1	HOUSING, Differential Gear
2	24903470	2	BEARING, 70 x 110 x 25
3	4991658	2	WASHER, THRUST,
4	4991695	2	PINION, IDLER,
5	4997235	AR	WASHER, THRUST, 1.5mm Thk,
5	4997236	AR	WASHER, THRUST, 1.6mm Thk, 1.0 mm
5	5138267	AR	WASHER, THRUST, 1.7mm Thk,
5	5144801	AR	WASHER, THRUST, 1.4mm Thk,
5	5144802	AR	WASHER, THRUST, 1.8mm Thk,
5	5170588	AR	WASHER, THRUST, 1.9mm Thk,
5	5170589	AR	WASHER, THRUST, 2.0mm Thk,
5	5182769	AR	WASHER, THRUST, 2.1mm Thk,
5	5182770	AR	WASHER, THRUST, 2.2mm Thk,
6	5149551	2	GEAR, PLANETARY, Side
7	5168624	1	PIN,
8	5173242	1	PIN, ROLL,
9	13807870	1	SET SCREW, Hex Soc, M8 x 14, Flat Pt,

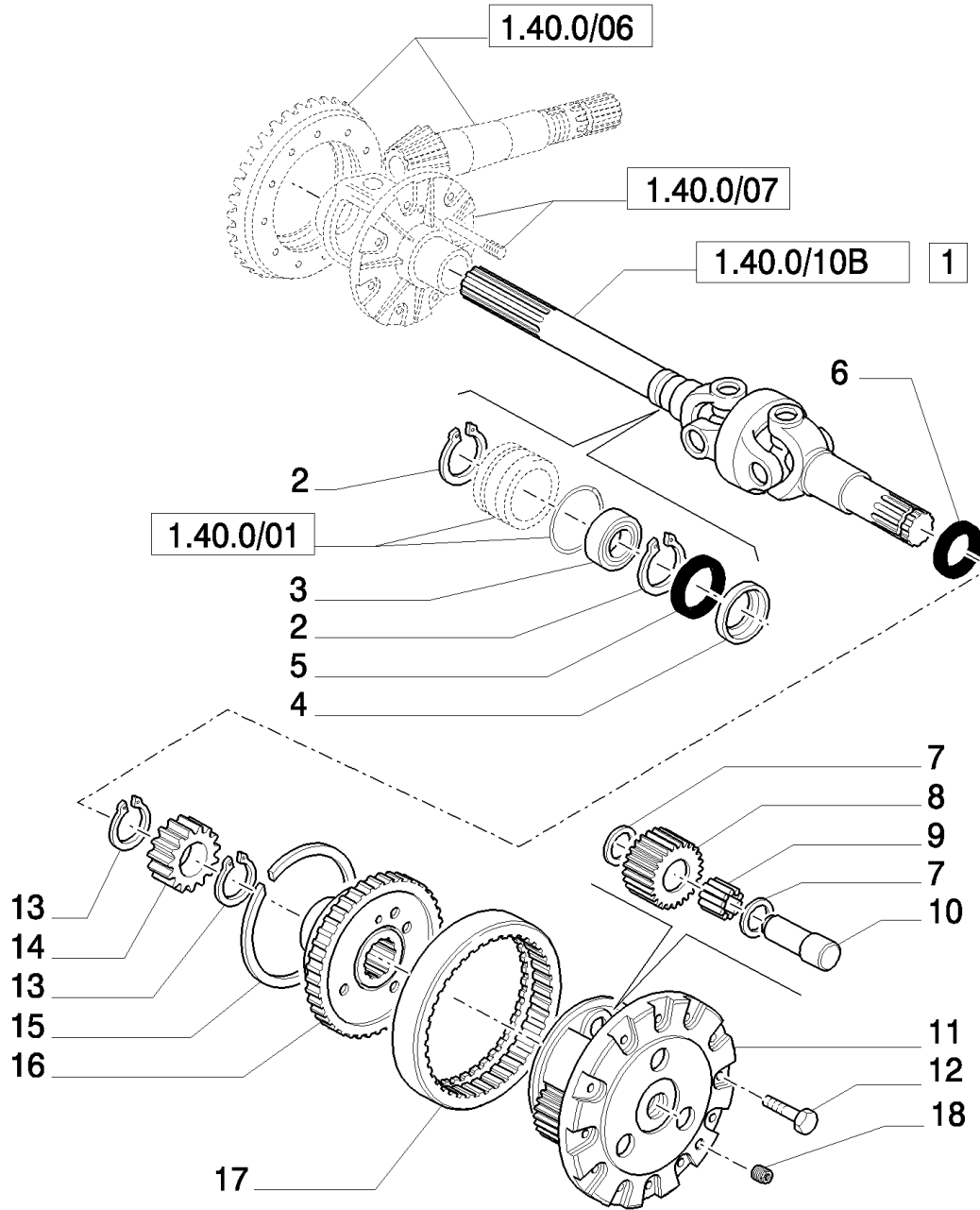
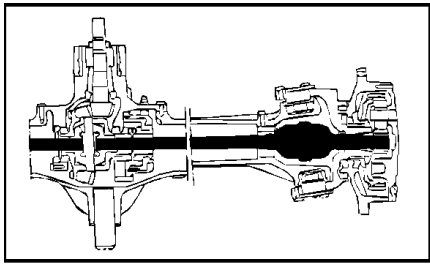


## MXM155 CASE IH TRACTOR (6/02- )

## 1.40.0/09 4WD FRONT AXLE - HYDRAULIC DIFFERENTIAL LOCK

сылка	Номер детали	Кол-во	Описание
1	5141750	1	CLUTCH, PLATE, Friction
2	5134095	1	RING, LOCKING,
3	5134083	1	HOUSING,
4	11083176	1	RING, SNAP, M125, Ext,
5	5134101	6	PLATE, DRIVEN,
6	5134100	5	PLATE, DRIVE,
7	5135032	1	HALF-RING,
8	5134099	1	HUB,
9	5144582	1	DISC,
10	5134174	1	BEARING, ROLLER,
11	5134175	1	WASHER, THRUST, 140 x 180 x 1
12	5134093	1	PLUNGER,
13	5140120	1	O-RING, 2.62 x 145.72
14	5120761	3	SPRING,
15	14306524	5	SCREW, Hex Soc Hd, M8 x 30, 8.8,
16	10569374	5	WASHER, LOCK, M8
17	14452881	1	O-RING, -011, CI 7, .301" ID x .070" Thk, (M7.65 ID x 1.78 Thk)
18	5140121	1	O-RING, 2.62 x 171.12
19	5148467	1	PIN,
20	5148468	1	FLANGE,
21	5154713	1	CONNECTOR, HYD.,
22	14437885	1	O-RING, 13.3MM ID x 2.4 Thk,

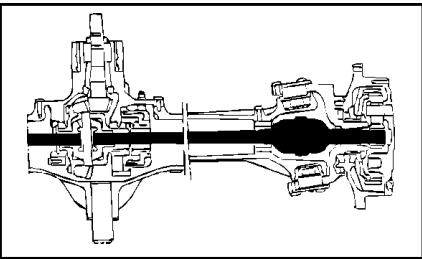
1.40.0/10(02) 4WD FRONT AXLE - DIFFERENTIAL GEARS AND DIFFERENTIAL SHAFT



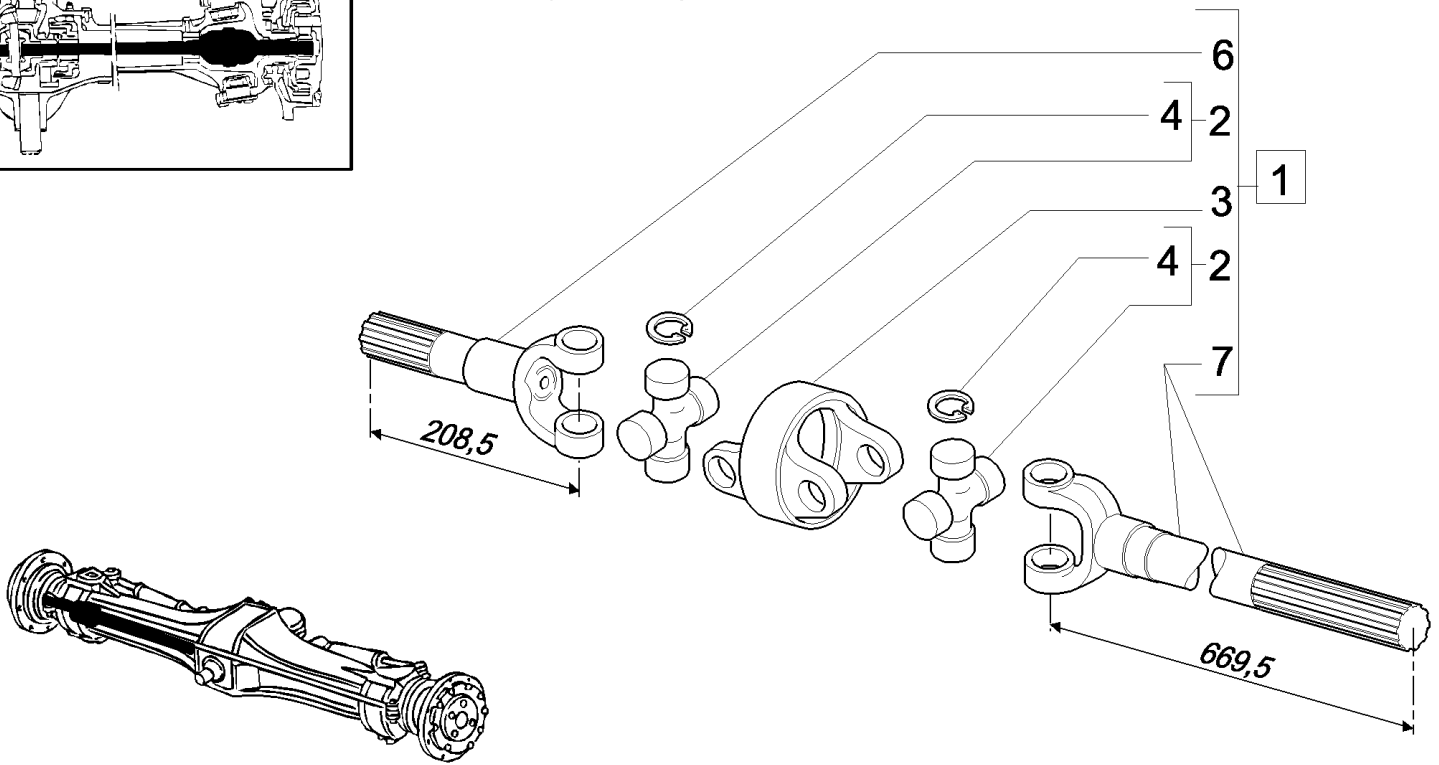
## MXM155 CASE IH TRACTOR (6/02- )

## 1.40.0/10(02) 4WD FRONT AXLE - DIFFERENTIAL GEARS AND DIFFERENTIAL SHAFT

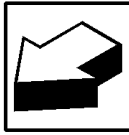
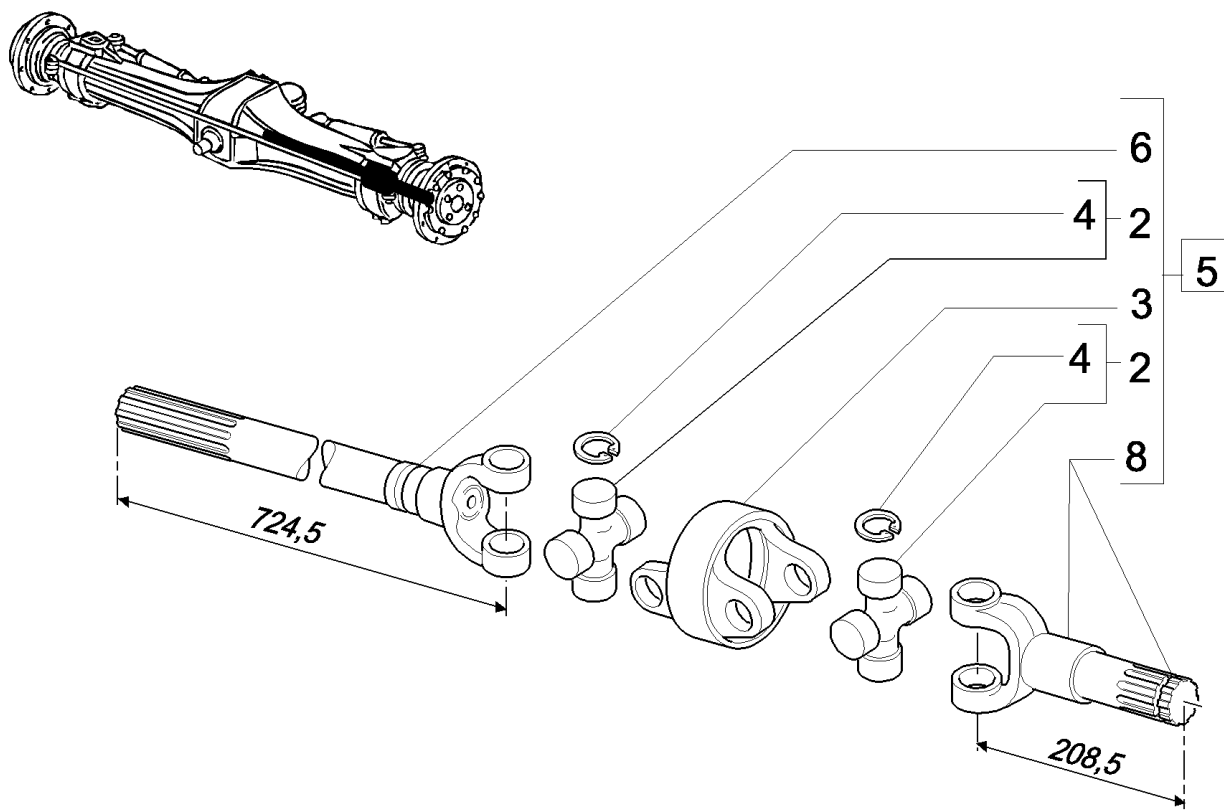
сылка	Номер детали	Кол-во	Описание
1	5174473	1	AXLE-SHAFT, ARTICULATED, LH
1	5174475	1	AXLE-SHAFT, ARTICULATED, RH
2	11061376	4	RING, SNAP, M68, Int,
3	28042480	2	BEARING, BALL, 40 x 68 x 15
4	5109311	2	SEAL PROTECTION,
5	5105948	2	SEAL, 45 x 68 x 12
6	5183845	2	SEAL,
7	4998022	12	WASHER, THRUST,
8	5102132	6	PINION, IDLER,
9	5101692	6	BEARING, NEEDLE, 31.8 x 41.9 x 35.5
10	5181056	6	PIN,
11	5181054	2	CARRIER, Incl. 7, 8, 9, 10
12	14274631	24	BOLT, Hex, M12 x 1.25 x 35,
13	5123651	6	RING,
14	5136819	2	GEAR, PLANETARY,
15	4986355	2	RING,
16	5141691	2	DISC,
17	5102130	2	GEAR, RING,
18	14326211	2	PLUG, Magnetic



### FOR RIGHT WHEEL



### FOR LEFT WHEEL

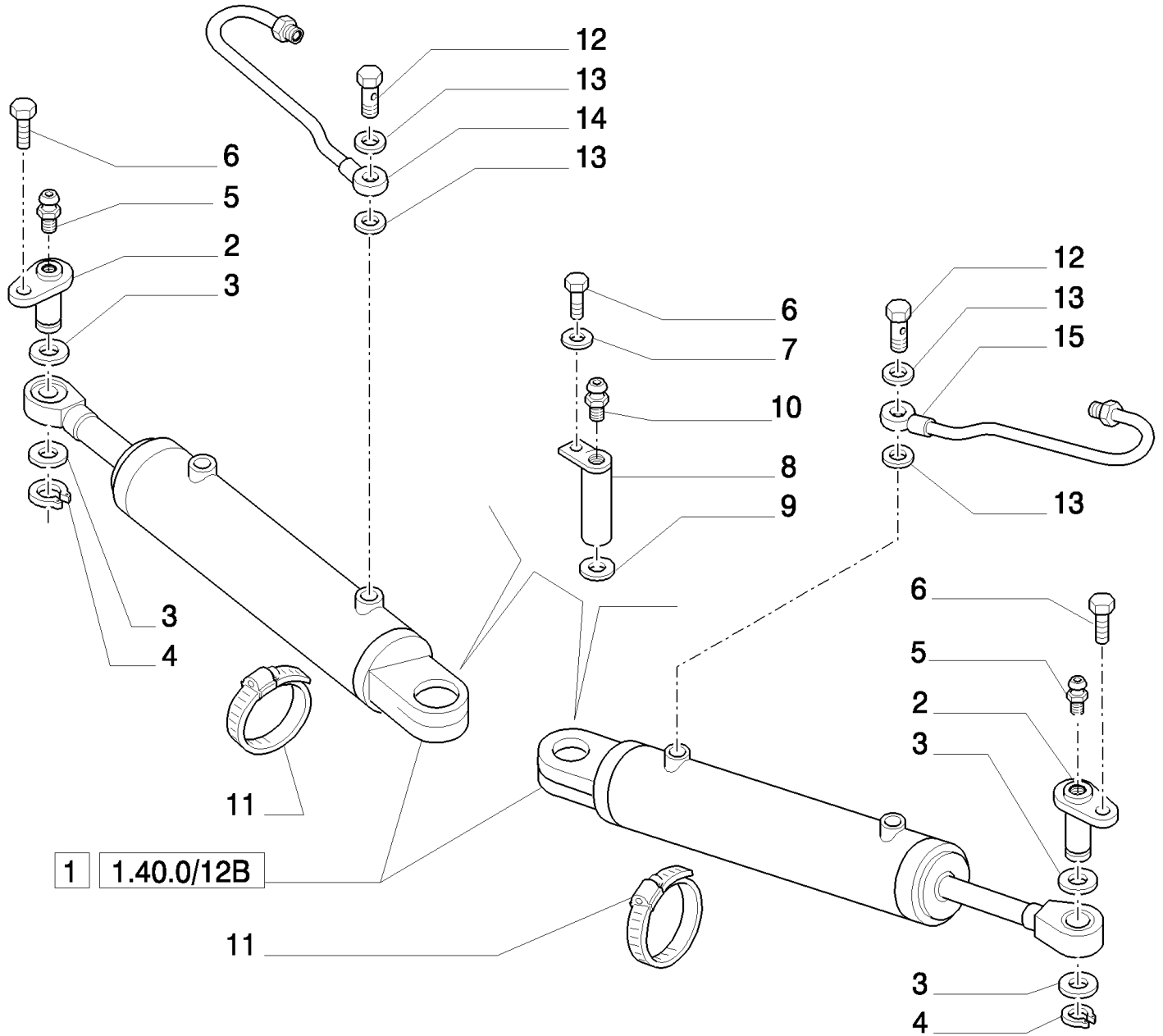
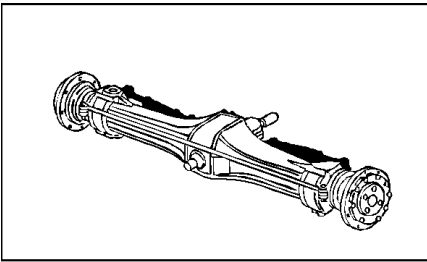


## MXM155 CASE IH TRACTOR (6/02- )

## 1.40.0/10B 4WD FRONT AXLE - AXLE-SHAFT ARTICULATED BREAKDOWN

сылка	Номер детали	Кол-во	Описание
1	5174475	1	AXLE-SHAFT, ARTICULATED, Assy, RH
2	5191482	2	SPIDER,
3	5191485	1	YOKE,
4	5191483	8	RING, LOCKING,
5	5174473	1	AXLE-SHAFT, ARTICULATED, Assy, LH
6	5191487	1	SHAFT, Long, LH
7	5191486	1	SHAFT, Long, RH
8	5191484	2	SHAFT, Short, LH & RH

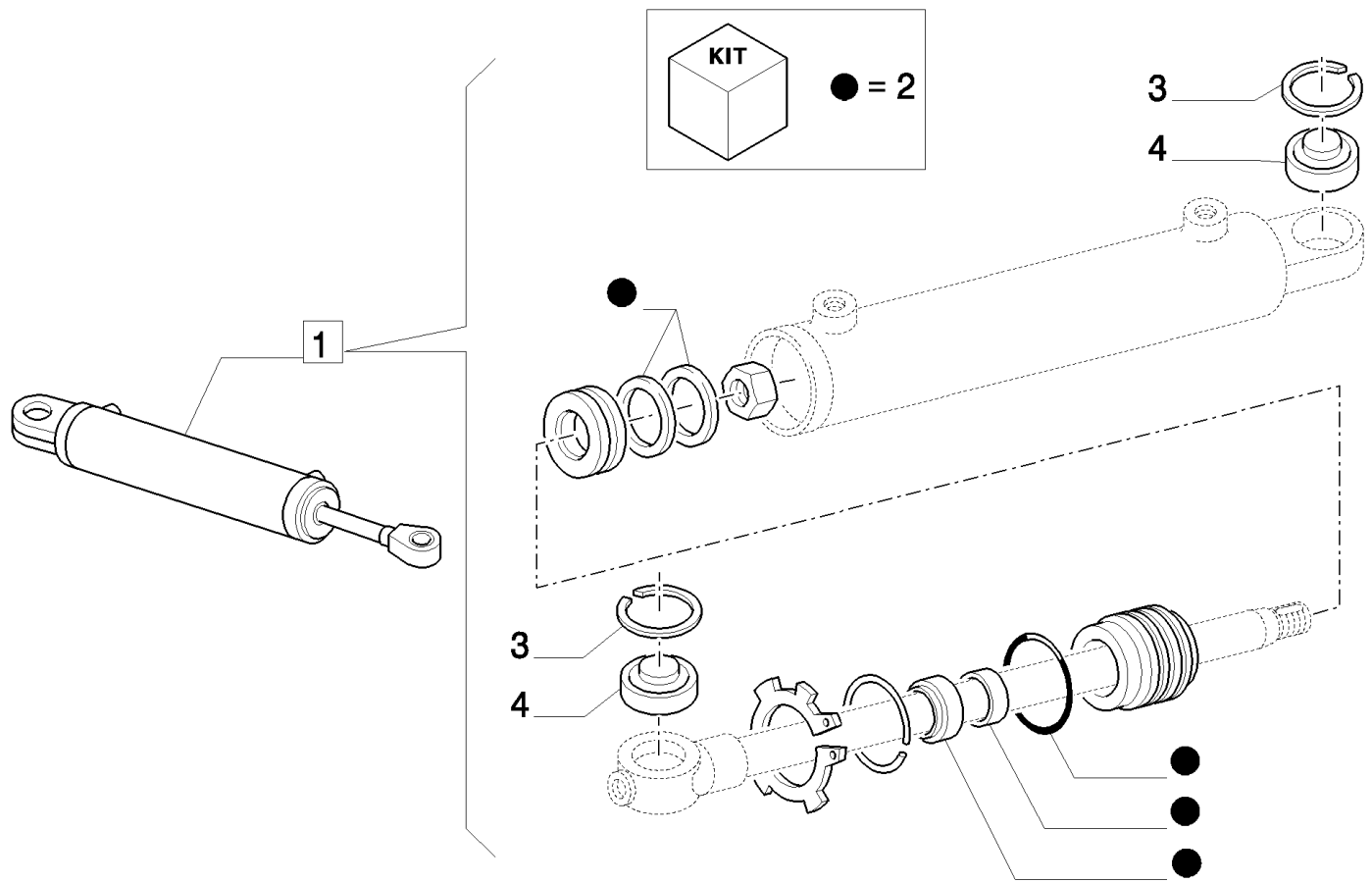
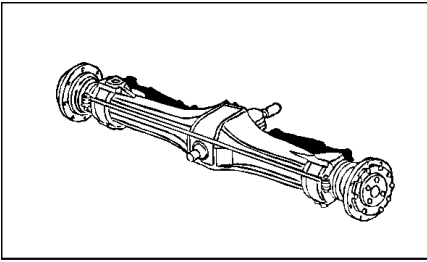




## MXM155 CASE IH TRACTOR (6/02- )

## 1.40.0/12(02) 4WD FRONT AXLE - HYDRAULIC STEERING CYLINDER

сылка	Номер детали	Кол-во	Описание
1	5164022	2	CYLINDER STEERING,
2	5171707	2	PIN,
3	5111573	4	WASHER, LOCK,
4	11067376	2	RING, SNAP, M25, Ext,
5	87414	2	NIPPLE, LUBE, 1/4"-28 x .56" lg, Drive,
6	16043424	4	SCREW, Hex, M8 x 20, 8.8, Full Thd,
6	16043824	1	BOLT, Hex, M8 x 30, 8.8, Full Thd,
7	11193874	2	WASHER, SPRING, Belleville, M8.4,
8	5198013	2	PIN,
9	5111576	2	SPACER, M25.5 x 34 x 11,
10	5120532	2	NIPPLE, LUBE, M14 x 1.5,
11	13000990	2	CLAMP, HOSE, D=60-80
12	4864083	2	BOLT, BANJO, M14 x 1.5 x 30
13	44906168	4	SEAL,
14	5189866	1	TUBE, HYD, RH
15	82022513	1	TUBE, HYD, LH



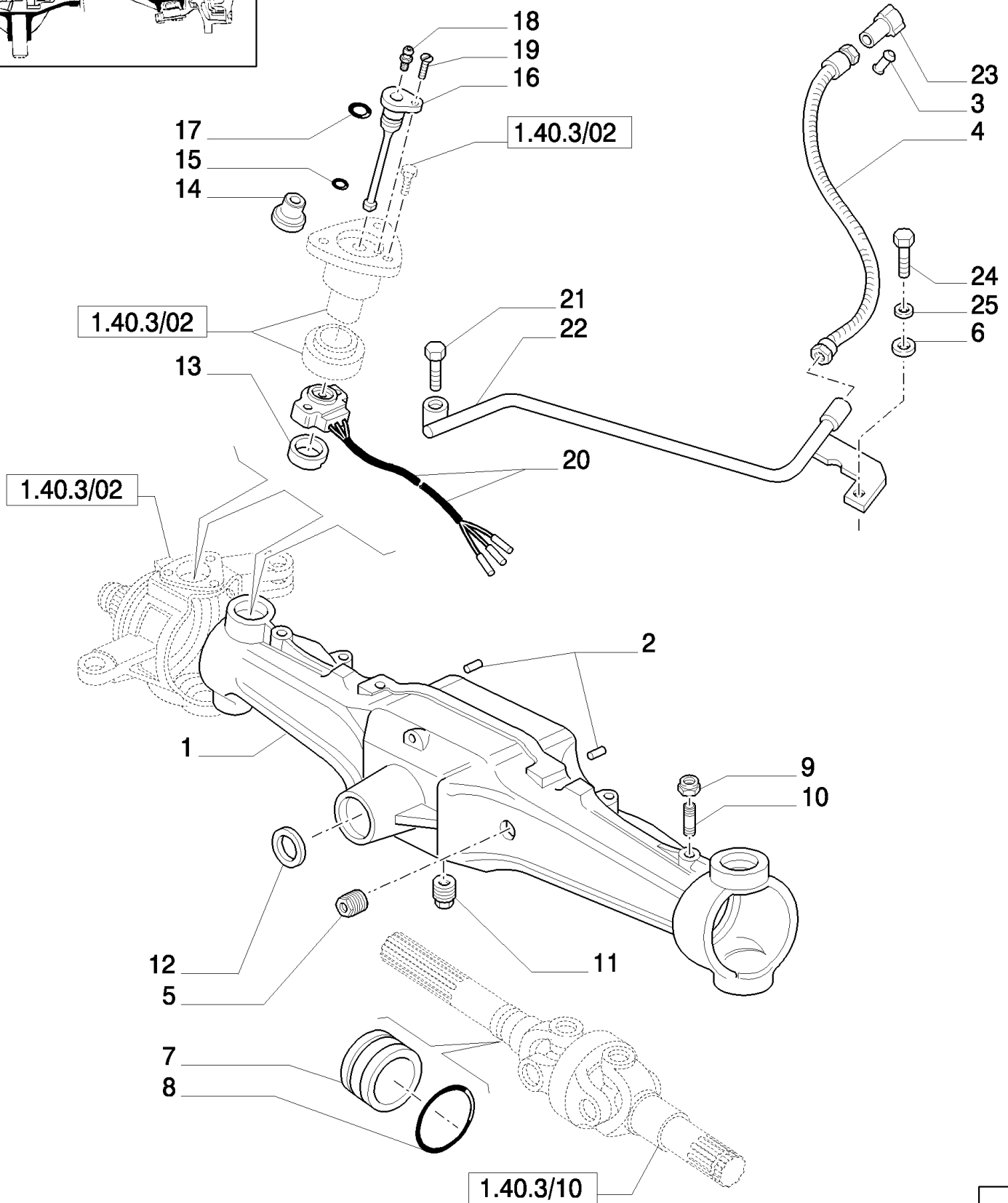
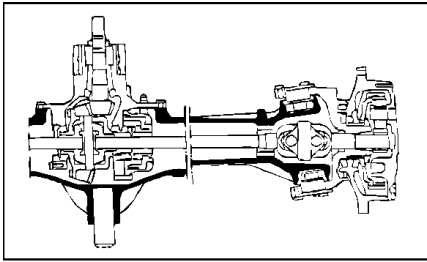
MXM155 CASE IH TRACTOR (6/02- )

1.40.0/12B 4WD FRONT AXLE - HYDRAULIC CYLINDER BREAKDOWN

сылка	Номер детали	Кол-во	Описание
1	5164022	1	CYLINDER STEERING,
2	9966321	1	KIT, SEALS,
3	5124473	2	RING, LOCKING,
4	5192823	2	BALL JOINT,

Standard for MXM155;W/ Var.519 MXM120, MXM130, MXM140

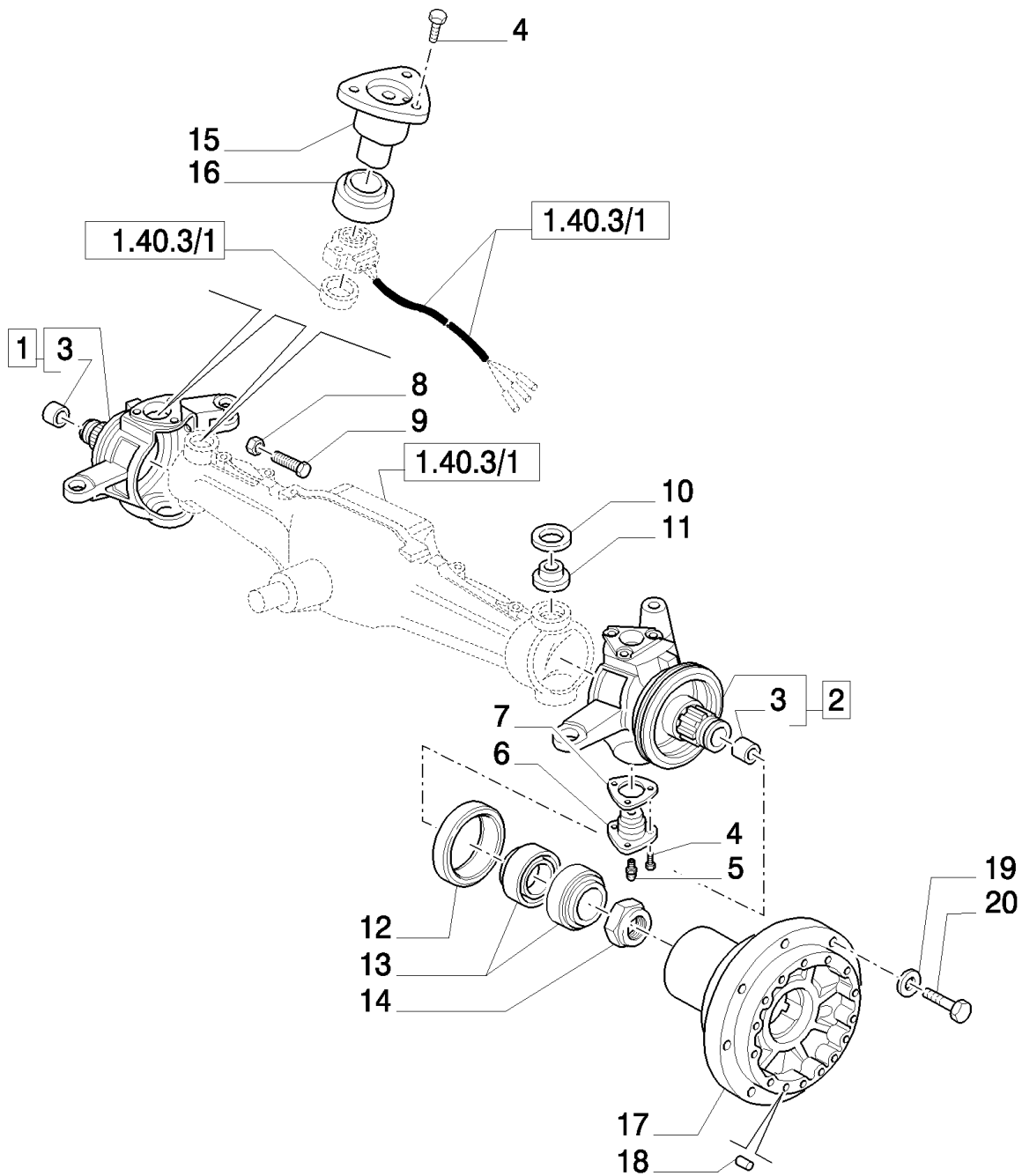
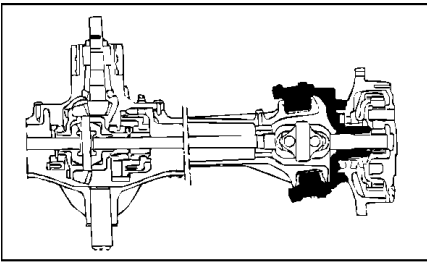
1.40.3/01 (VAR.420) 4WD FRONT AXLE WITH SUSPENSIONS AND TERRALOCK - SEMI POWER SHIFT - BOX



## MXM155 CASE IH TRACTOR (6/02- )

## 1.40.3/01 (VAR.420) 4WD FRONT AXLE WITH SUSPENSIONS AND TERRALOCK - SEMI POWER SHIFT - BOX

сылка	Номер детали	Кол-во	Описание
1	47136868	1	HOUSING, AXLE, , -C5196
1	87307363	1	HOUSING, AXLE, , D5196-
2	5174376	2	DOWEL, M16 x 30
3	82918419	1	PLUG,
4	82016109	1	SHEATH, FLEXIBLE,
5	14324411	1	PLUG,
6	10519604	1	WASHER, M8 x 17 x 2,
7	5184555	2	SLEEVE, MXM120, MXM130, MXM140, -C5338
7	87518052	2	SLEEVE, MXM120, MXM130, MXM140, D5338-
7	5134277	2	SLEEVE, MXM155, -C5243
7	87371236	2	BUSHING, MXM155, D5243-
8	14461180	2	O-RING, -153, 70 Duro, 3.487" ID x .103" Thk, , -C5243
8	14465680	2	O-RING, -238, 70 Duro, 3.484" ID x .139" Thk, , D5243-
9	16101524	2	NUT, M12 x 1.25, CI 10,
10	87316865	2	SCREW,
11	14326211	1	PLUG, Magnetic
12	5140888	1	RING,
13	5168958	1	SUPPORT, , -C5196
14	5175211	1	SLEEVE, , -C5196
15	14452780	1	O-RING, -010, 70 Duro, .239" ID x .070" Thk, (M6.07 ID x 1.78 Thk), -C5196
16	5178653	1	PIN, , -C5196
17	14453081	1	O-RING, -013, CI 7, .426" ID x .070" Thk, (M10.82 ID x 1.78 Thk), -C5196
18	87414	1	NIPPLE, LUBE, 1/4"-28 x .56" lg, Drive, , -C5196
19	10384911	1	SCREW, M5 x 12, -C5196
20	82019691	1	SENSOR, Steering Angle, -C5196
21	15540824	1	BOLT, Hex, M12 x 1.25 x 50, 8.8,
22	5191224	1	TUBE,
23	82918426	1	CONNECTOR, ELEC, Incl. 3
24	16043424	1	SCREW, Hex, M8 x 20, 8.8, Full Thd,
25	11193874	1	WASHER, SPRING, Belleville, M8.4,

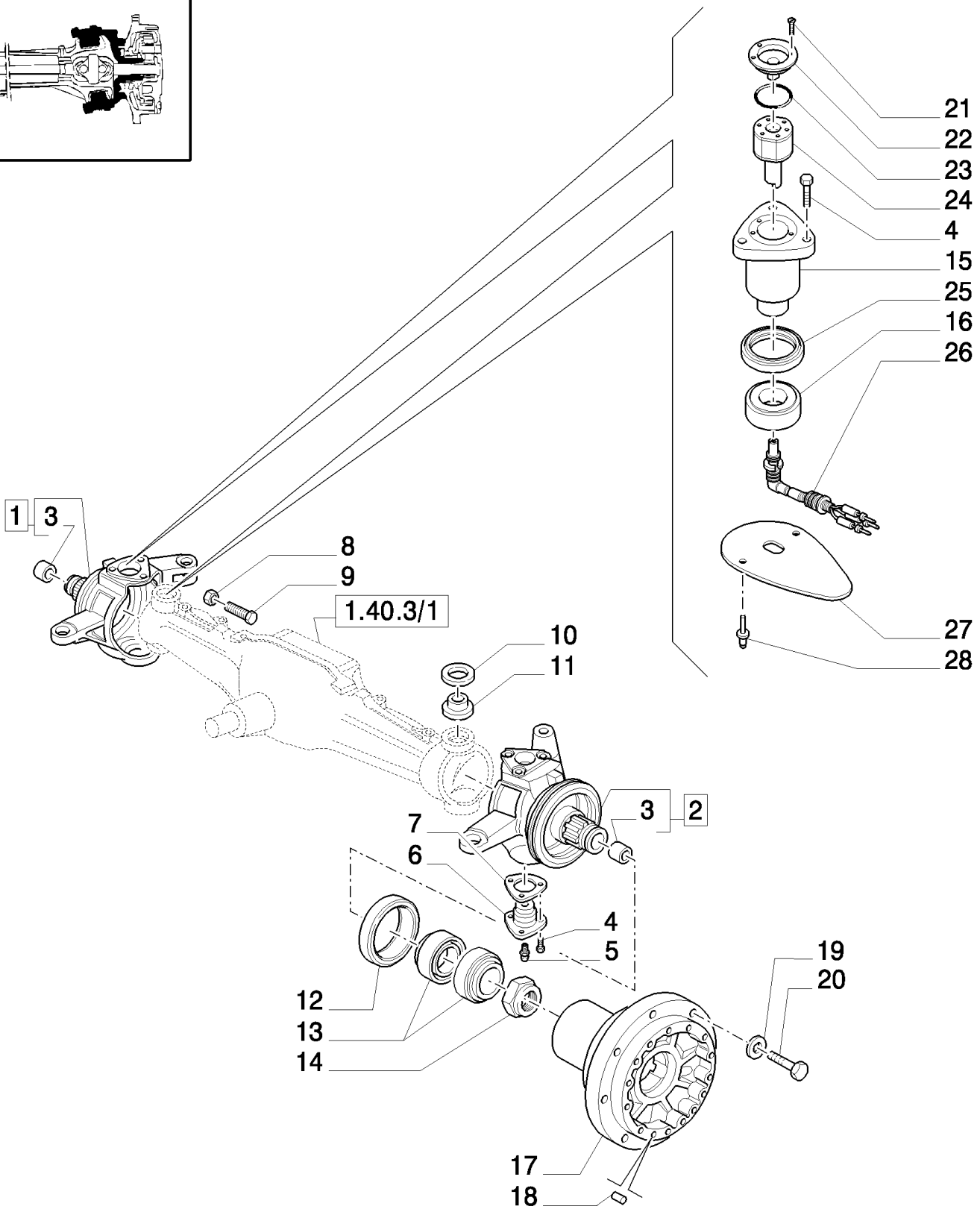
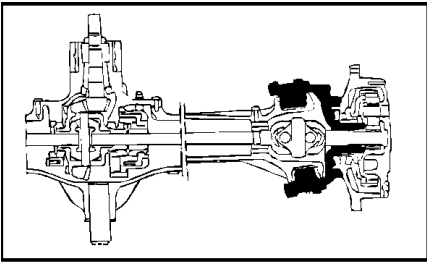


## MXM155 CASE IH TRACTOR (6/02- )

## 1.40.3/02(02) (VAR.420) 4WD FRONT AXLE WITH SUSPENSIONS AND TERRALOCK - (SPS) - STEERING AXLES - HUBS - C5196

сылка	Номер детали	Кол-во	Описание
1	5171706	1	KNUCKLE, STEERING, RH
2	5171704	1	KNUCKLE, STEERING, LH
3	5105321	2	BUSHING, 45 x 50 x 30
4	14254431	12	BOLT, Hex, M14 x 1.5 x 30,
5	5120532	2	NIPPLE, LUBE, M14 x 1.5,
5	5191671	1	NIPPLE, LUBE, 45с, M14 x 1.5,
6	5137138	3	PIN, BALL,
7	5137114	AR	SHIM, .10mm Thk,
7	5137115	AR	SHIM, .15mm Thk,
8	10717611	2	NUT, Thin, M18 x 2.5, CI 04,
9	5179447	2	SCREW,
10	5121907	4	SEAL,
11	5119660	3	BALL JOINT,
12	5178141	2	SEAL, 190 x 220 x 14.5-18
13	5133737	4	BEARING, ROLLER, TAPERED, 109.538 x 158.750 x 23.02
14	5141692	2	NUT, RING, M90 x 22
15	5175208	1	PIN,
16	5169911	1	BALL JOINT, 80mm ID
17	5156065	2	HUB,
18	4985063	4	DOWEL,
19	5100516	16	WASHER, M17 x 32 x 5
20	11390534	16	BOLT, Hex, M16 x 40, 10.9, Full Thd,



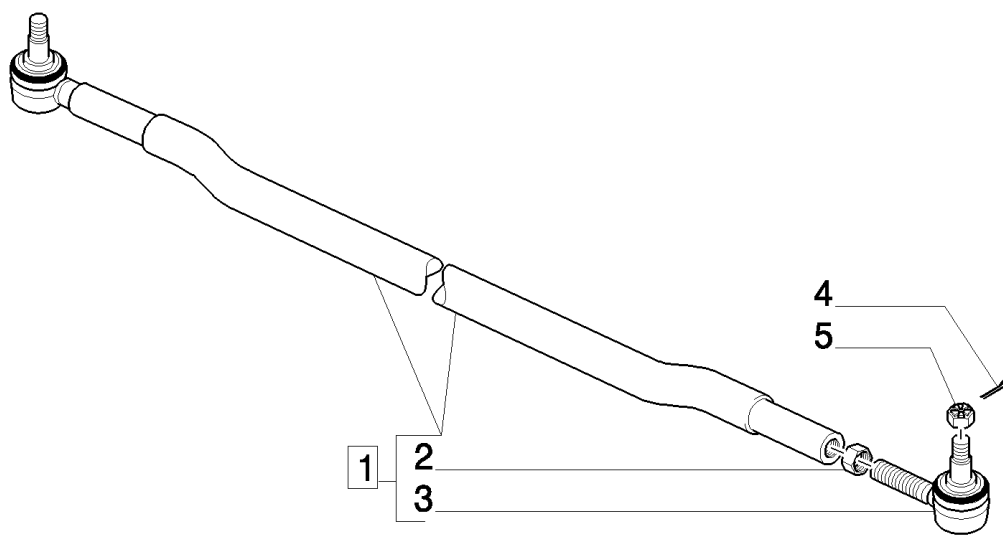
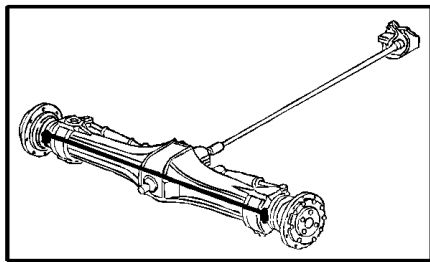


## MXM155 CASE IH TRACTOR (6/02- )

1.40.3/02(02A) (VAR.420) 4WD FRONT AXLE WITH SUSPENSIONS AND TERRALOCK - (SPS) - STEERING AXLES - HUBS - D5196

сылка	Номер детали	Кол-во	Описание
1	5171706	1	KNUCKLE, STEERING, RH
2	5171704	1	KNUCKLE, STEERING, LH
3	5105321	2	BUSHING, 45 x 50 x 30
4	14254431	12	BOLT, Hex, M14 x 1.5 x 30,
5	5120532	2	NIPPLE, LUBE, M14 x 1.5,
5	5191671	1	NIPPLE, LUBE, 45с, M14 x 1.5,
6	5137138	3	PIN, BALL,
7	5137114	AR	SHIM, .10mm Thk,
7	5137115	AR	SHIM, .15mm Thk,
8	10717611	2	NUT, Thin, M18 x 2.5, CI 04,
9	5179447	2	SCREW,
10	5121907	4	SEAL,
11	5119660	3	BALL JOINT,
12	5178141	2	SEAL, 190 x 220 x 14.5-18
13	5133737	4	BEARING, ROLLER, TAPERED, 109.538 x 158.750 x 23.02
14	5141692	2	NUT, RING, M90 x 22
15	87309308	1	PIN, BALL,
16	47137676	1	BALL JOINT,
17	5156065	2	HUB, , -C5201
17	87341364	2	HUB, , D5201-
18	4985063	4	DOWEL,
19	5100516	16	WASHER, M17 x 32 x 5
20	11390534	16	BOLT, Hex, M16 x 40, 10.9, Full Thd,
21	10384911	3	SCREW, M5 x 12
22	87309292	1	PIN,
23	14458280	1	O-RING, -124, 70 Duro, 1.237" ID x .103" Thk,
24	87303761	1	SENSOR, Steering
25	47137701	1	SEAL,
26	87303770	1	CONNECTOR, ELEC,
27	87315098	1	SHIELD,
28	14643091	2	RIVET,

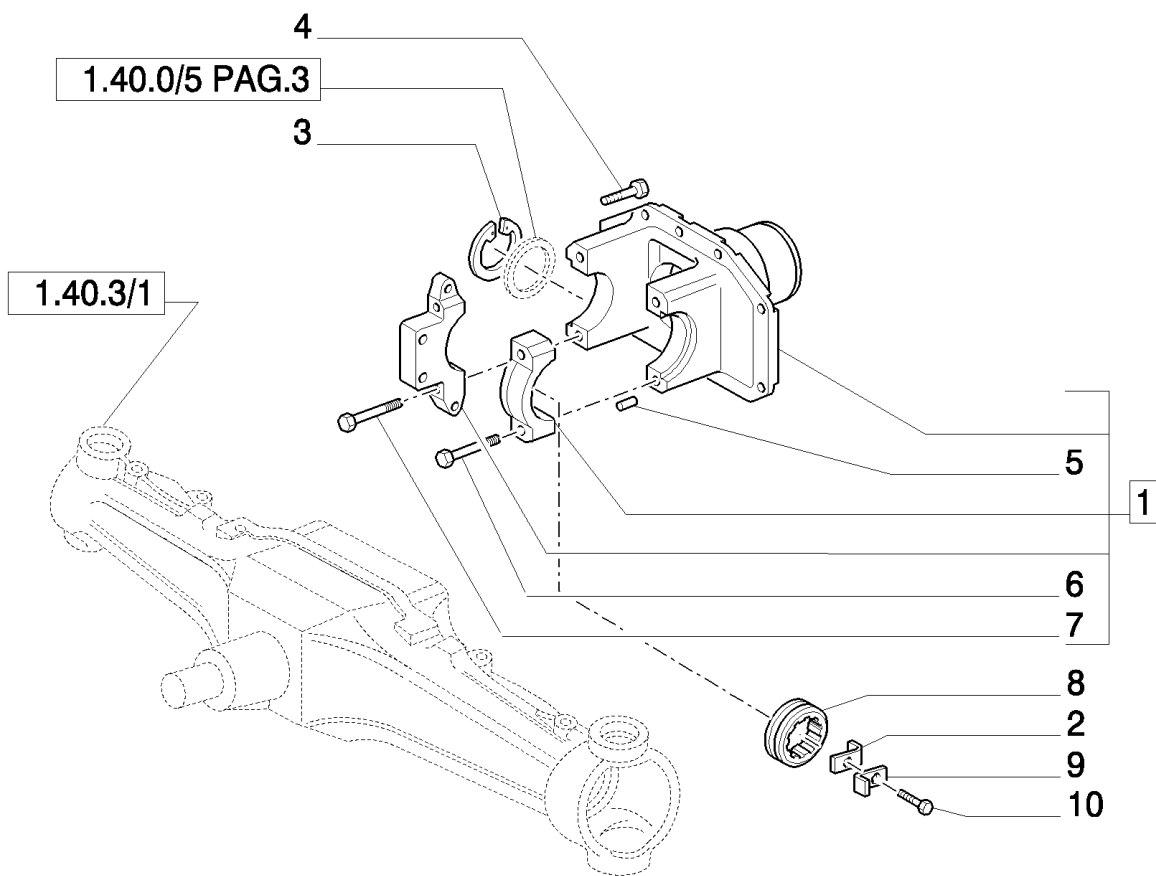
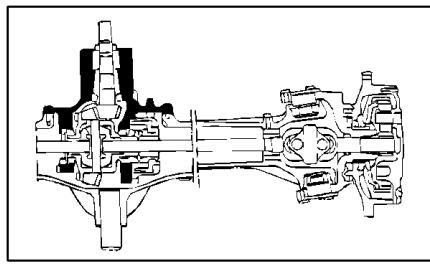
D5196 After Date 18 July 2005 D5201 After Date 01 June 2005



MXM155 CASE IH TRACTOR (6/02- )

1.40.3/04 (VAR.420) 4WD FRONT AXLE WITH SUSPENSIONS AND TERRALOCK - SEMI POWER SHIFT - LINK

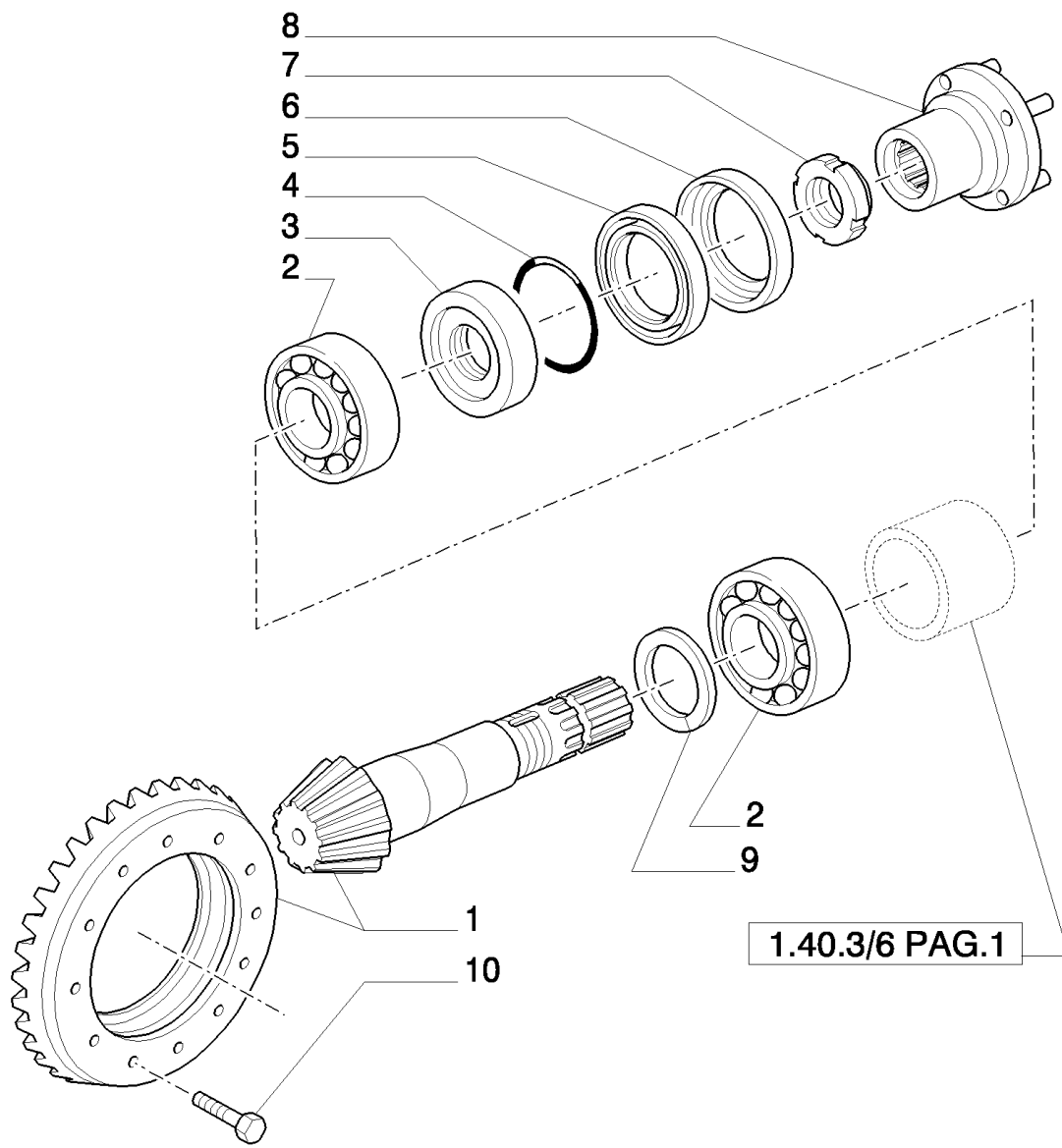
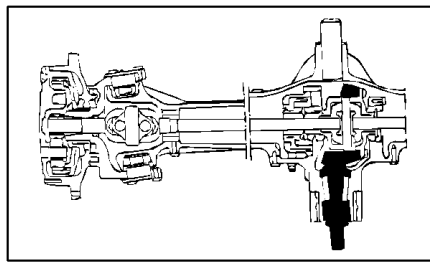
сылка	Номер детали	Кол-во	Описание
1	5177449	1	TRACK ROD ASSY,
2	10726911	1	NUT, Thin, M24 x 1.5, CI 04,
3	5117314	1	TRACK ROD END, M18 x M24 Threads
4	10733801	2	PIN, SPLIT (COTTER), M4 x 36,
5	10724611	2	NUT, M18 x 1.5
5	12576014	2	NUT, LOCK, M18 x 1.5,



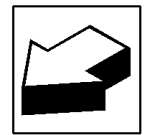
## MXM155 CASE IH TRACTOR (6/02- )

## 1.40.3/05(02) (VAR.420) 4WD FRONT AXLE WITH SUSPENSIONS AND TERRALOCK - SEMI POWER SHIFT - SUPPORT

сылка	Номер детали	Кол-во	Описание
1	5190844	1	SUPPORT,
2	4966243	1	CLIP,
3	11075476	1	RING, SNAP, M110, Int,
4	16217734	16	BOLT, Hex, M16 x 50,
4	14360524	4	SCREW, Hex Soc Hd, M12 x 1.25 x 20, 8.8,
5	4966530	4	DOWEL, M6 x 18
6	14255330	2	SCREW, M14 x 1.5 x 75
7	14255731	2	BOLT, Hex, M14 x 1.5 x 90,
8	5110423	1	NUT, RING, M115 x 15
9	562659	1	PLATE,
10	15970524	1	BOLT, Hex, M10 x 1.25 x 20, 8.8, Full Thd,



1.40.3/6 PAG.1

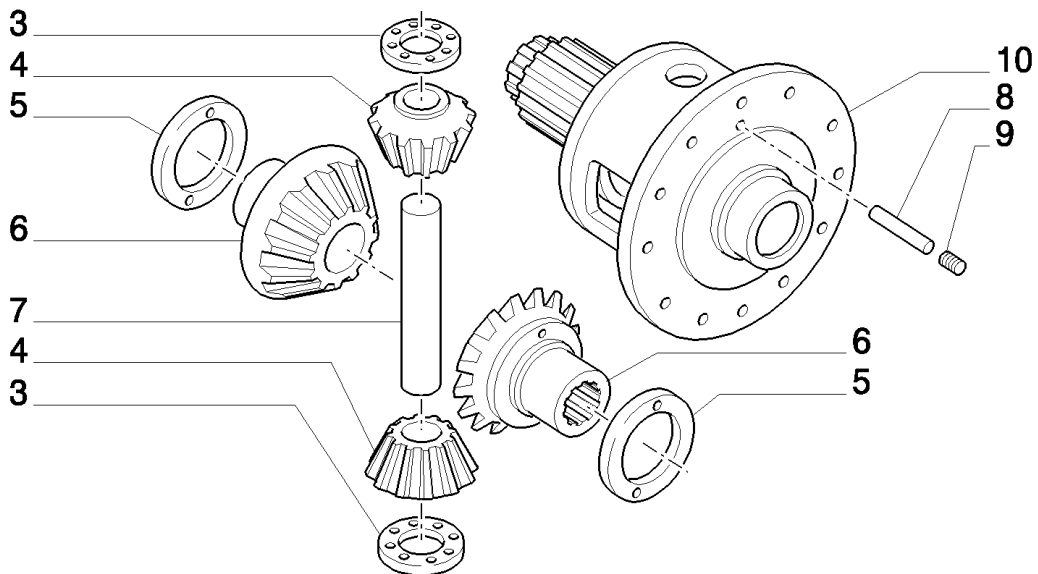
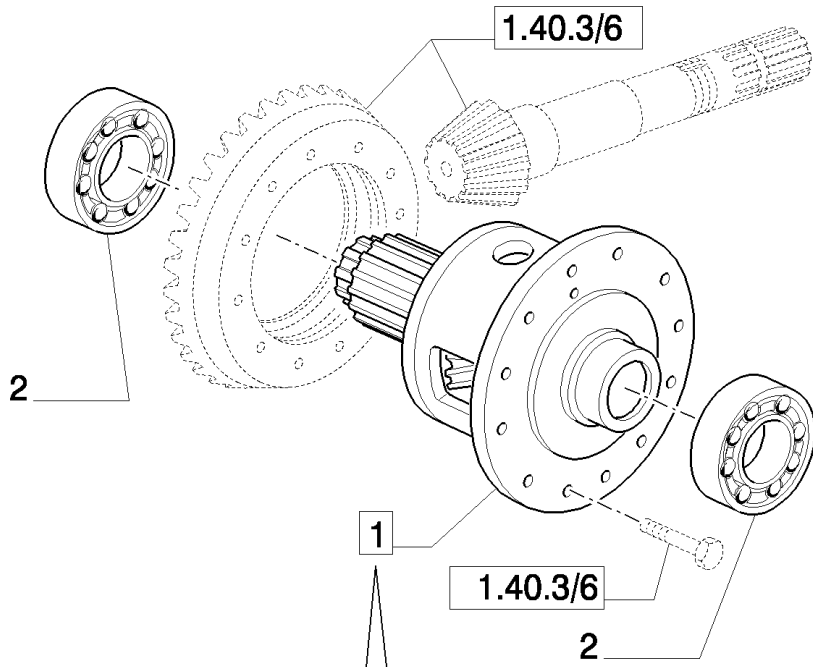
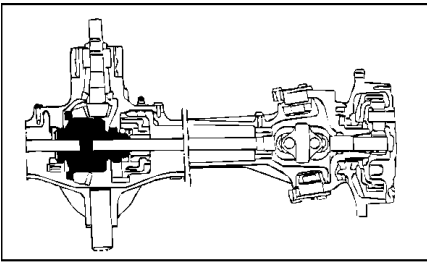


## MXM155 CASE IH TRACTOR (6/02- )

## 1.40.3/06(02) (VAR.420) 4WD FRONT AXLE WITH SUSPENSIONS AND TERRALOCK - SEMI POWER SHIFT - BEVEL GEAR PAIR

сылка	Номер детали	Кол-во	Описание
1	5179445	1	GEAR SET, Ratio 10/34
2	5141714	2	BEARING, ROLLER, TAPERED, 45 x 100 x 38.25
3	5179417	1	RING,
4	14459080	1	O-RING, -131, 70 Duro, 1.737" ID x .103" Thk,
5	5119262	1	SEAL, 80 x 110 x 12
6	5179995	1	CUP,
7	5111953	1	NUT, M24 x 20
8	5190345	1	FLANGE,
9	7888012	AR	RING, 45.1 x 58 x 0.5 mm
9	5121690	AR	RING, M45.1 x 58 x 2.3,
9	5121691	AR	RING, M45.1 x 58 x 2.4,
9	4999063	AR	RING, M45.1 x 58 x 2.5,
9	4999064	AR	RING, M45.1 x 58 x 2.6 ,
9	4999065	AR	RING, M45.1 x 58 x 2.7 ,
9	4999066	AR	RING, M45.1 x 58 x 2.8,
9	4999067	AR	RING, M45.1 x 58 x 2.9 ,
10	14274631	12	BOLT, Hex, M12 x 1.25 x 35,

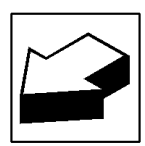
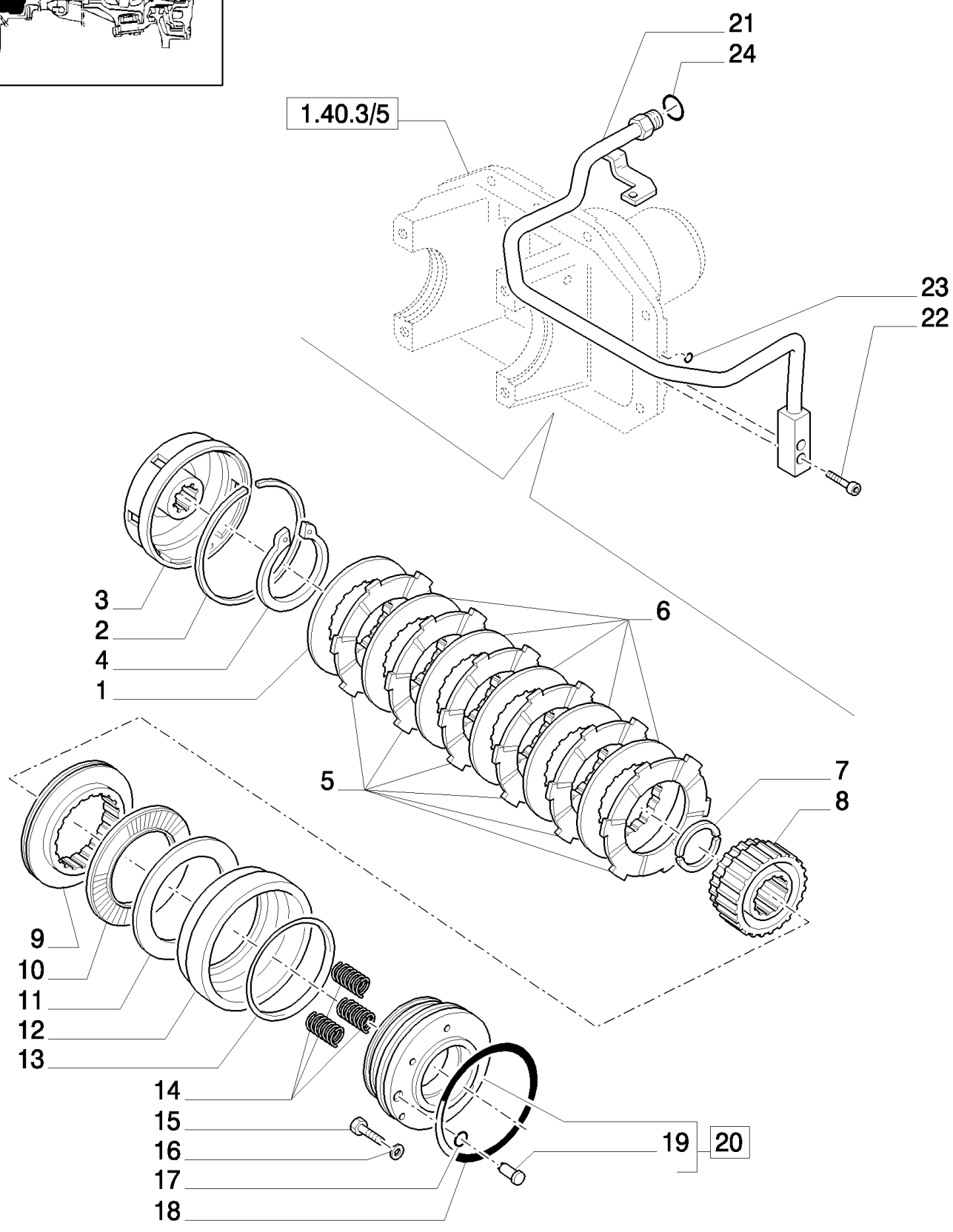
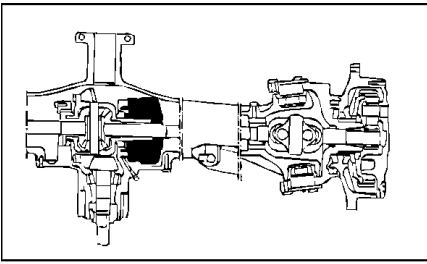




## MXM155 CASE IH TRACTOR (6/02- )

## 1.40.3/07(02) (VAR.420) 4WD FRONT AXLE WITH SUSPENSIONS AND TERRALOCK - SEMI POWER SHIFT - DIFFERENTIAL

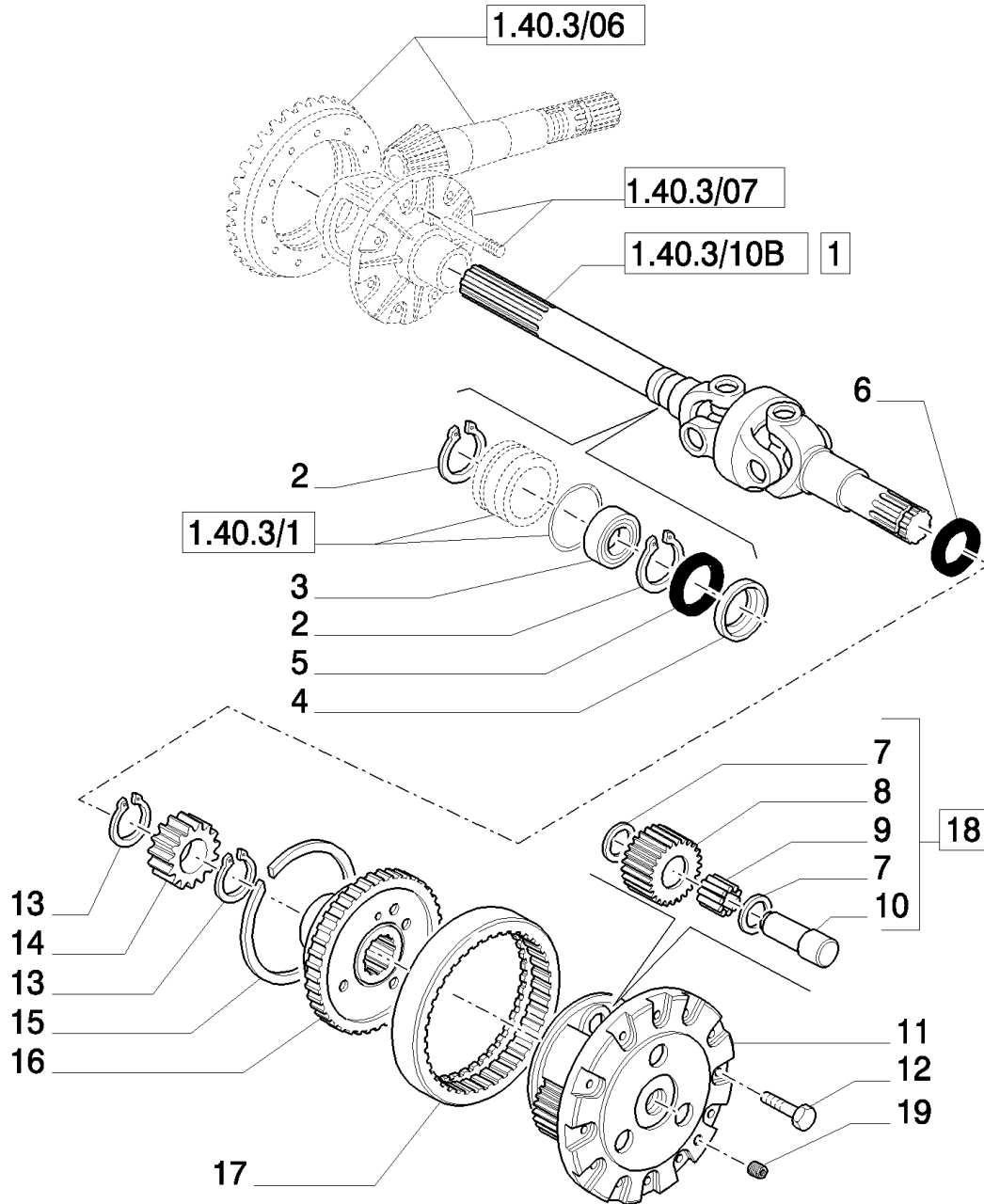
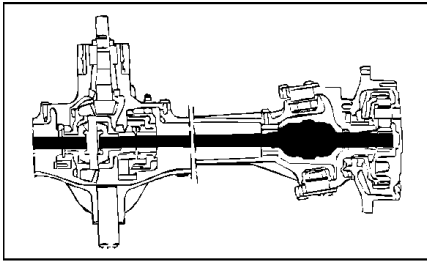
сылка	Номер детали	Кол-во	Описание
1	5134978	1	DIFFERENTIAL GEAR,
2	24903470	2	BEARING, 70 x 110 x 25
3	4991658	2	WASHER, THRUST,
4	4991695	2	PINION, IDLER,
5	4997235	AR	WASHER, THRUST, 1.5mm Thk,
5	4997236	AR	WASHER, THRUST, 1.6mm Thk, 1.0 mm
5	5138267	AR	WASHER, THRUST, 1.7mm Thk,
5	5144801	AR	WASHER, THRUST, 1.4mm Thk,
5	5144802	AR	WASHER, THRUST, 1.8mm Thk,
5	5170588	AR	WASHER, THRUST, 1.9mm Thk,
5	5170589	AR	WASHER, THRUST, 2.0mm Thk,
5	5182769	AR	WASHER, THRUST, 2.1mm Thk,
5	5182770	AR	WASHER, THRUST, 2.2mm Thk,
6	5149551	2	GEAR, PLANETARY,
7	5168624	1	PIN,
8	5173242	1	PIN, ROLL,
9	13807870	1	SET SCREW, Hex Soc, M8 x 14, Flat Pt,
10	5174845	1	HOUSING,



## MXM155 CASE IH TRACTOR (6/02- )

1.40.3/09(02) (VAR.420) 4WD FRONT AXLE WITH SUSP. AND TERRALOCK - SEMI POWER SHIFT - HYDRAULIC DIFFERENTIAL L

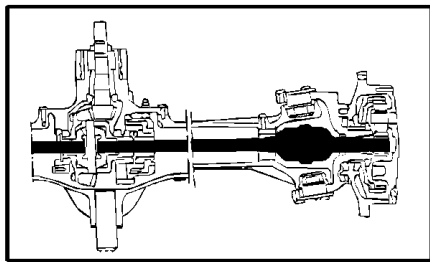
сылка	Номер детали	Кол-во	Описание
1	5141750	1	CLUTCH, PLATE,
2	5134095	1	RING, LOCKING, D=200
3	5134083	1	HOUSING,
4	11083176	1	RING, SNAP, M125, Ext,
5	5198090	6	CLUTCH, PLATE,
6	5198088	5	CLUTCH, PLATE,
7	5135032	1	HALF-RING,
8	5134099	1	HUB,
9	5144582	1	DISC,
10	5134174	1	BEARING, ROLLER,
11	5134175	1	WASHER, THRUST, 140 x 180 x 1
12	5134093	1	PLUNGER,
13	5140120	1	O-RING, 2.62 x 145.72
14	5120761	3	SPRING,
15	14306524	5	SCREW, Hex Soc Hd, M8 x 30, 8.8,
16	10569374	5	WASHER, LOCK, M8
17	14452881	1	O-RING, -011, CI 7, .301" ID x .070" Thk, (M7.65 ID x 1.78 Thk)
18	5140121	1	O-RING, 2.62 x 171.12
19	5148467	1	PIN,
20	5148468	1	FLANGE,
21	5188462	1	TUBE,
22	14306321	1	SCREW, Hex Soc Hd, M8 x 20, 8.8,
23	14453081	1	O-RING, -013, CI 7, .426" ID x .070" Thk, (M10.82 ID x 1.78 Thk)
24	5185510	1	O-RING, M9.25 ID x 1.78 Thk



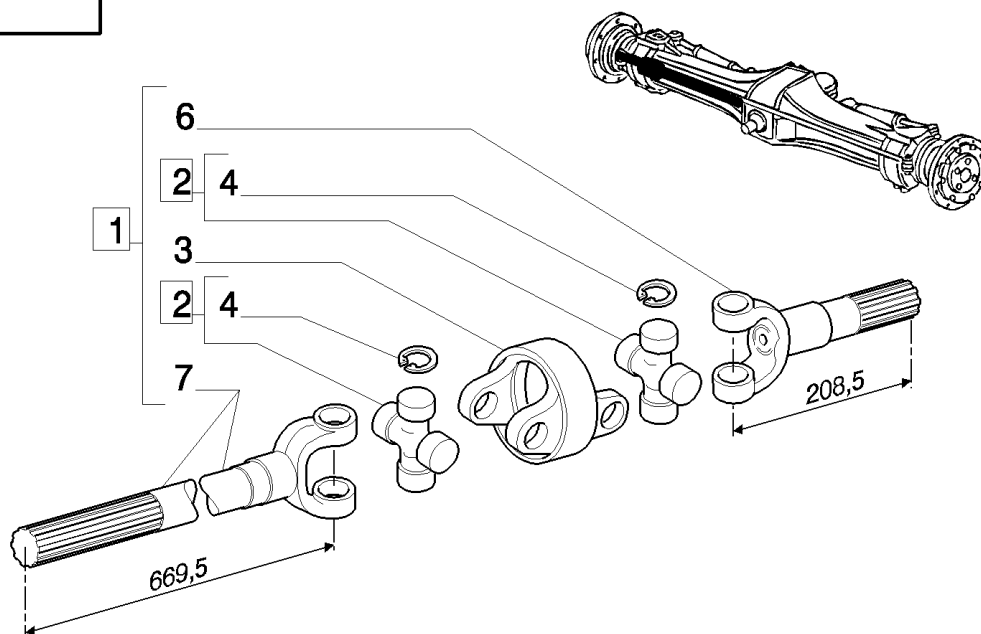
## MXM155 CASE IH TRACTOR (6/02- )

## 1.40.3/10(02) (VAR.420) 4WD FRONT AXLE WITH SUSP. AND TERRALOCK -SEMI POWER SHIFT - GEARS AND DIFFERENTIAL S

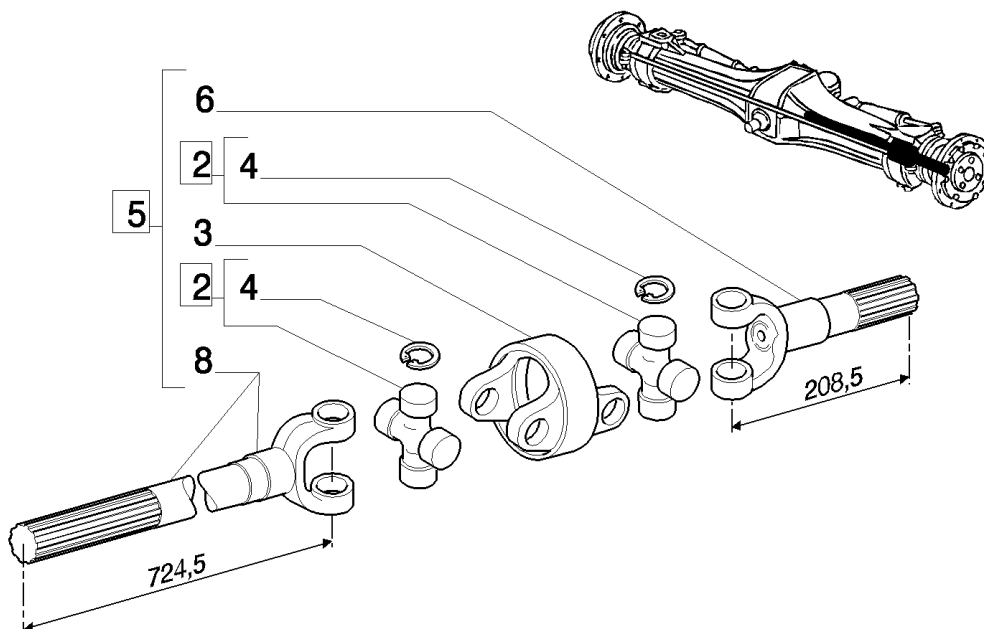
сылка	Номер детали	Кол-во	Описание
1	5174473	1	AXLE-SHAFT, ARTICULATED, LH
1	5174475	1	AXLE-SHAFT, ARTICULATED, RH
2	11061376	4	RING, SNAP, M68, Int,
3	28042480	2	BEARING, BALL, 40 x 68 x 15
4	5109311	2	SEAL PROTECTION,
5	5105948	2	SEAL, 45 x 68 x 12
6	5183845	1	SEAL,
7	4998022	12	WASHER, THRUST,
8	5102132	6	PINION, IDLER,
9	5101692	6	BEARING, NEEDLE, 31.8 x 41.9 x 35.5
10	5181056	6	PIN,
11	5181054	2	CARRIER,
12	14274631	24	BOLT, Hex, M12 x 1.25 x 35,
13	5123651	6	RING,
14	5136819	2	GEAR, PLANETARY,
15	4986355	2	RING,
16	5141691	2	DISC,
17	5102130	2	GEAR, RING,
18	5181054	2	CARRIER,
19	14326211	2	PLUG, Magnetic



### FOR RIGHT WHEEL



### FOR LEFT WHEEL



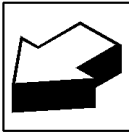
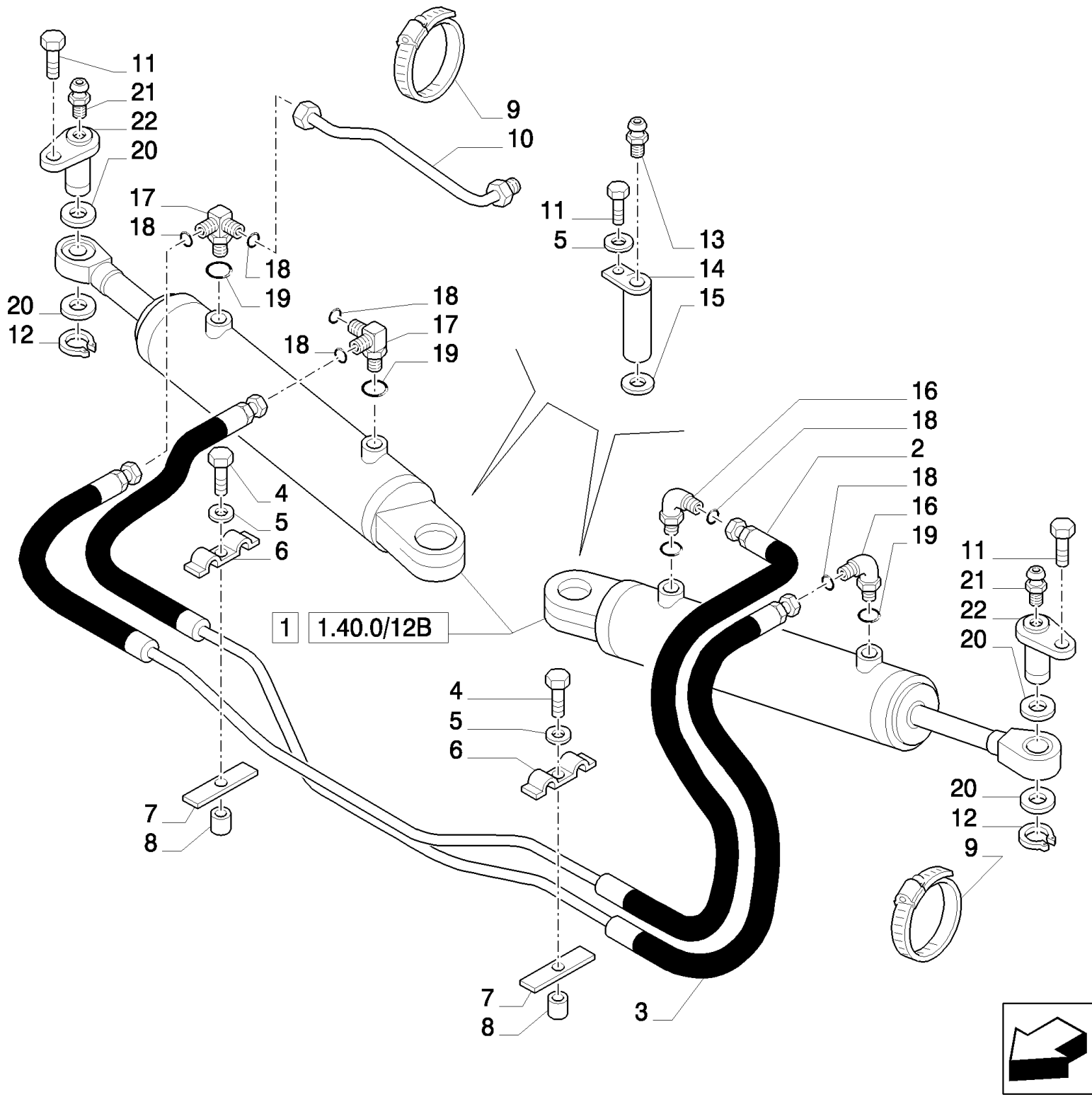
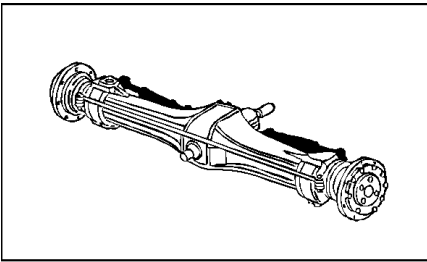
MXM155 CASE IH TRACTOR (6/02- )

1.40.3/10B AXLE-SHAFT ARTICULATED

сылка	Номер детали	Кол-во	Описание
1	5174475	1	AXLE-SHAFT, ARTICULATED, Assy, RH
2	5191482	2	SPIDER,
3	5191485	1	YOKE,
4	5191483	8	RING, LOCKING,
5	5174473	1	AXLE-SHAFT, ARTICULATED, Assy, LH
6	5191484	1	SHAFT, Short LH & RH
7	5191486	1	SHAFT, Long, Inner, RH
8	5191487	1	SHAFT, Long, Inner, LH

W/ Var.420-518

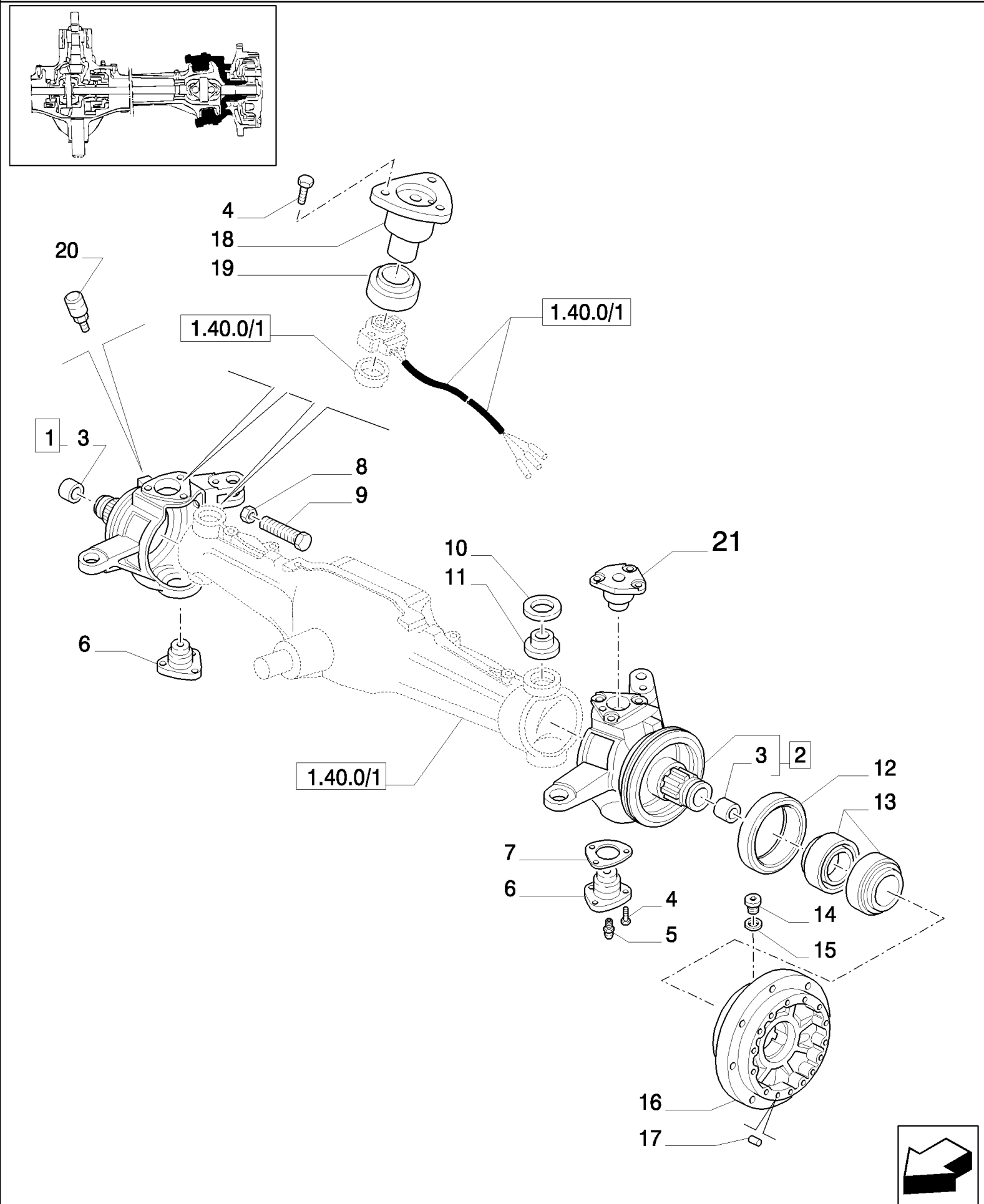




## MXM155 CASE IH TRACTOR (6/02- )

1.40.3/12 (VAR.420) 4WD FRONT AXLE WITH SUSP. AND TERRALOCK - SEMI POWER SHIFT - HYDRAULIC STEERING CYLINDER

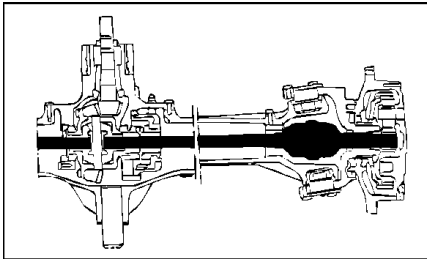
сылка	Номер детали	Кол-во	Описание
1	5164022	2	CYLINDER STEERING,
2	5188440	1	HOSE, FLEXIBLE, RH
3	5188439	1	HOSE, FLEXIBLE, LH
4	16043824	3	BOLT, Hex, M8 x 30, 8.8, Full Thd,
5	11193874	4	WASHER, SPRING, Belleville, M8.4,
6	5188504	2	BRACKET,
7	5188503	2	BRACKET,
8	13605811	2	SPACER, M8.5 x 18 x 10,
9	13000990	2	CLAMP, HOSE, D=60-80
10	5188452	1	TUBE, HYD,
11	16043424	4	SCREW, Hex, M8 x 20, 8.8, Full Thd,
12	11067376	2	RING, SNAP, M25, Ext,
13	5191671	2	NIPPLE, LUBE, 45с, M14 x 1.5,
14	5198013	2	PIN,
15	5111576	2	SPACER, M25.5 x 34 x 11,
16	47127165	2	ELBOW, 11/16"-16, M14 x 1.5
17	5188443	2	CONNECTOR, HYD.,
18	5185510	6	O-RING, M9.25 ID x 1.78 Thk
19	14437785	4	O-RING, 11.3MM ID x 2.4 Thk,
20	5111573	4	WASHER, LOCK, 25.5 x 34
21	87414	2	NIPPLE, LUBE, 1/4"-28 x .56" lg, Drive,
22	5171707	2	PIN,



## MXM155 CASE IH TRACTOR (6/02- )

## 1.40.4/02(02) (VAR.452) 4WD FRONT AXLE WITH BRAKES FOR TERRALOCK - STEERING PIVOT PINS AND HUBS

сылка	Номер детали	Кол-во	Описание
1	5182002	1	STUB AXLE/STRG.SPINDLE, RH, MXM155
1	5198876	1	STUB AXLE/STRG.SPINDLE, RH, MXM175, MXM190
2	5182000	1	STUB AXLE/STRG.SPINDLE, LH, MXM155
2	5198874	1	KNUCKLE, STEERING, LH, MXM175, MXM190
3	5105321	2	BUSHING, 45 x 50 x 30
4	14254431	6	BOLT, Hex, M14 x 1.5 x 30,
4	14254534	6	BOLT, Hex, M14 x 1.5 x 35,
5	5120532	2	NIPPLE, LUBE, M14 x 1.5,
5	5191671	1	NIPPLE, LUBE, 45c, M14 x 1.5,
6	5137138	2	PIN, BALL,
7	5137114	AR	SHIM, .10mm Thk,
7	5137115	AR	SHIM, .15mm Thk,
8	10717611	2	NUT, Thin, M18 x 2.5, CI 04,
9	5179447	2	SCREW,
10	5121907	4	SEAL,
11	5119660	3	BALL JOINT,
12	5178141	2	SEAL, 190 x 220 x 14.5-18
13	87303827	4	BEARING, ROLLER, TAPERED,
14	10278301	2	PLUG, M28 x 1.5 x 11, Brass,
15	10282260	2	WASHER, SEALING, M28.4 x 36 x 1.5, Copper,
16	5182020	2	HUB, , -C5201
16	87341366	2	HUB, , D5201-
17	4985063	2	DOWEL,
18	5186029	1	PIN,
19	5169911	1	BALL JOINT, 80mm ID
20	13413290	2	BREATHER,
21	5183085	1	PIN,



1.40.0/06

1.40.0/07

1.40.4/10B 1

1.40.4/10C 16

6

1

7

2

1.40.0/01

3

2

5

4

9

10

11

8

9

12

13

15

14

17

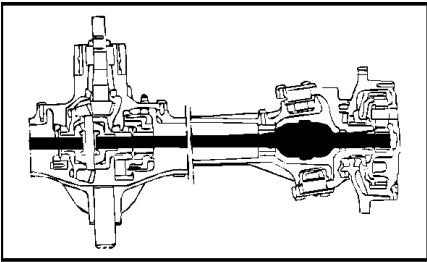
7



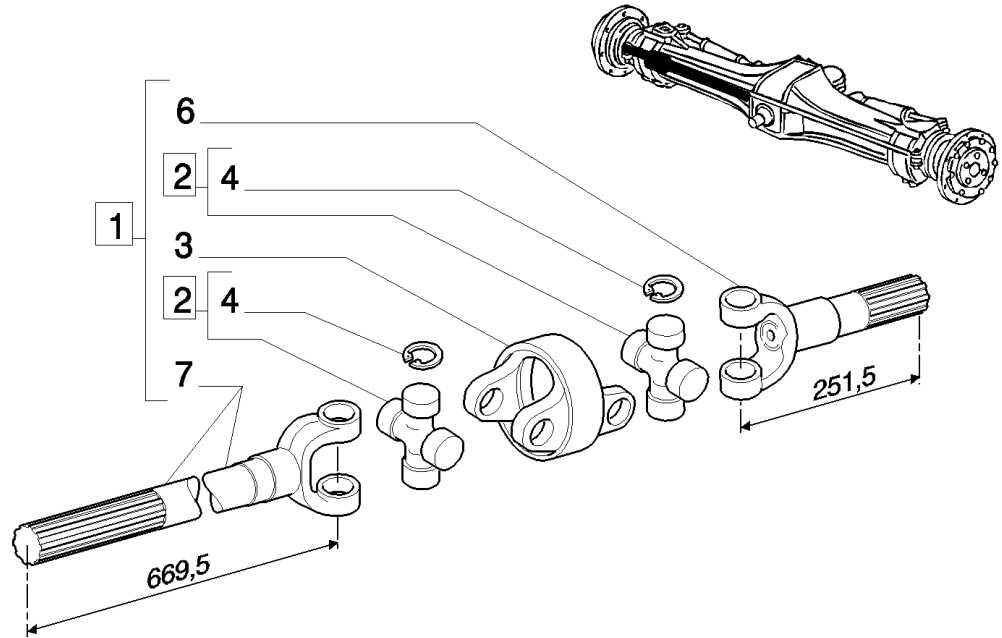
## MXM155 CASE IH TRACTOR (6/02- )

## 1.40.4/10(02) (VAR.452) 4WD FRONT AXLE WITH BRAKES FOR TERRALOCK - GEARS AND DIFFERENTIAL AXLE

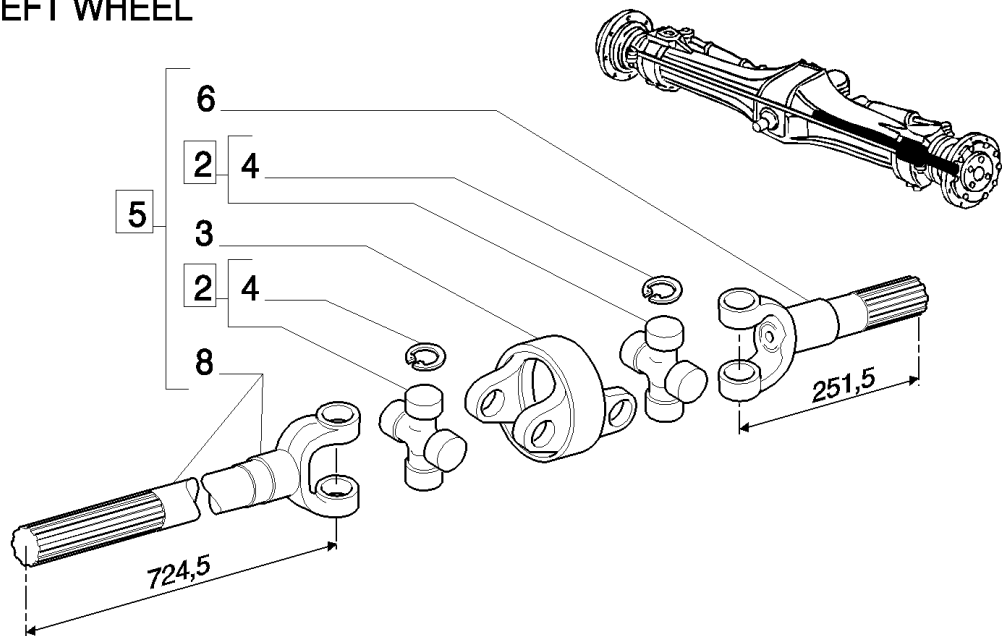
сылка	Номер детали	Кол-во	Описание
1	5181947	1	AXLE-SHAFT, ARTICULATED, LH, MXM155
1	5181946	1	AXLE-SHAFT, ARTICULATED, RH, MXM155
2	11061376	4	RING, SNAP, M68, Int,
3	28042480	2	BEARING, BALL, 40 x 68 x 15
4	5109311	2	SEAL PROTECTION,
5	5105948	2	SEAL, 45 x 68 x 12
6	5183845	2	SEAL, 65 x 45 x 18.5
7	5123651	6	RING,
8	5181054	2	CARRIER,
9	4998022	12	WASHER, THRUST,
10	5102132	6	PINION, IDLER,
11	5101692	6	BEARING, NEEDLE, 31.8 x 41.9 x 35.5
12	5181056	6	PIN,
13	5181054	2	CARRIER,
14	14274631	24	BOLT, Hex, M12 x 1.25 x 35,
15	5136819	2	GEAR, PLANETARY,
16	5191701	1	AXLE-SHAFT, ARTICULATED, LH, MXM175, MXM190
16	5191702	1	AXLE-SHAFT, ARTICULATED, RH, MXM175, MXM190
17	14326211	2	PLUG, Magnetic



FOR RIGHT WHEEL



FOR LEFT WHEEL

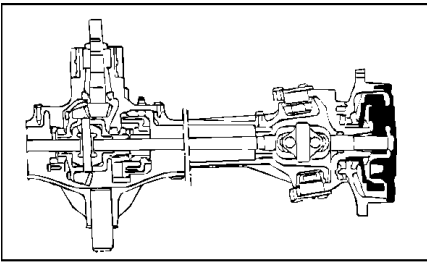


## MXM155 CASE IH TRACTOR (6/02- )

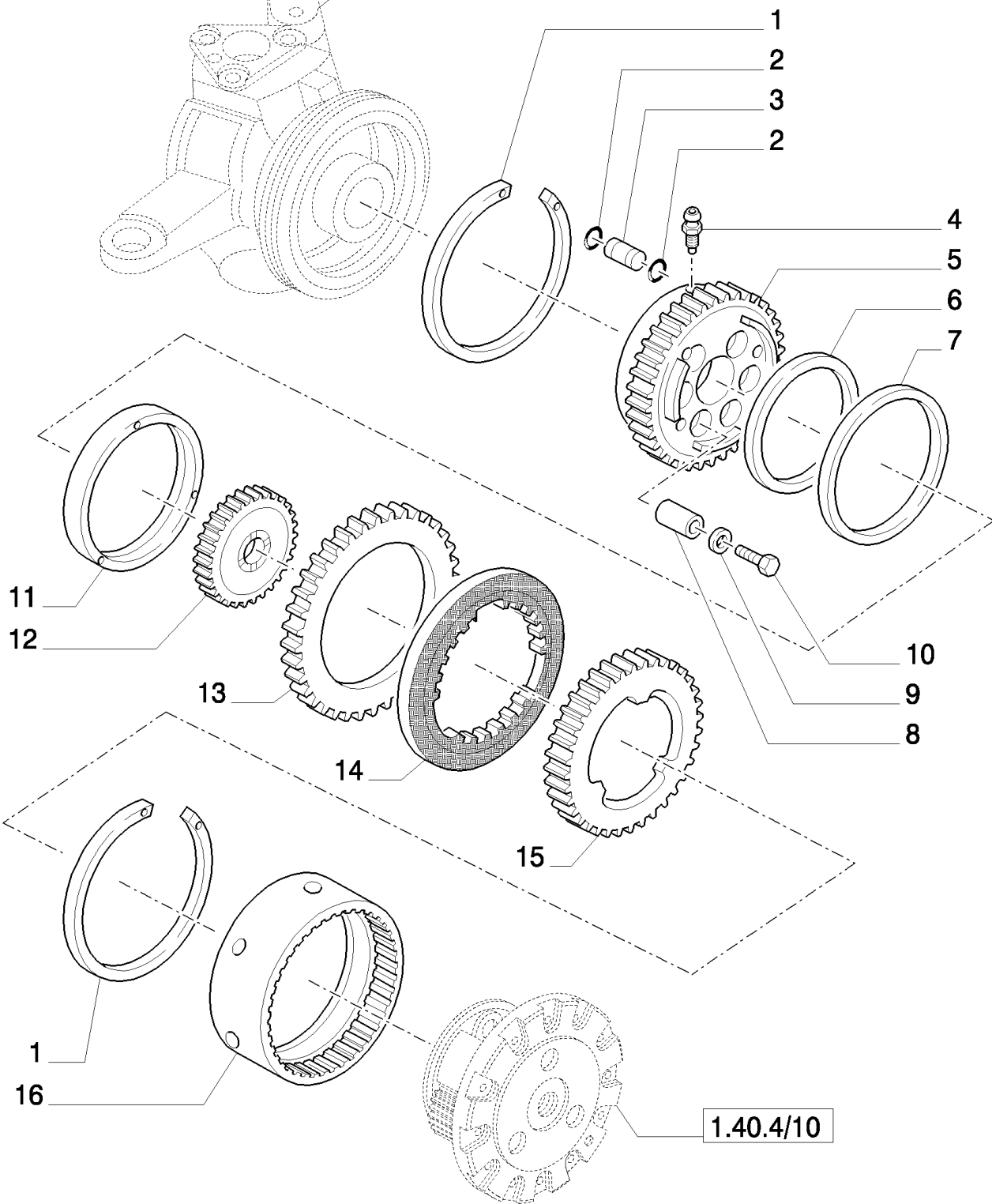
## 1.40.4/10B (VAR.452) 4WD FRONT AXLE WITH BRAKES FOR TERRALOCK - ARTICULATED HALF-AXLE AND RELEVANT PARTS

сылка	Номер детали	Кол-во	Описание
1	5181946	1	AXLE-SHAFT, ARTICULATED, Assy, RH
2	5191482	2	SPIDER,
3	5191485	1	YOKE,
4	5191483	8	RING, LOCKING,
5	5181947	1	AXLE-SHAFT, ARTICULATED, Assy, LH
6	5191488	2	YOKE, Outer, Short
7	5191486	1	SHAFT, Inner Long, RH
8	5191487	1	SHAFT, Inner, Long, LH

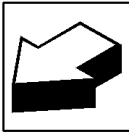




1.40.4/2



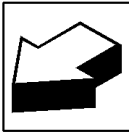
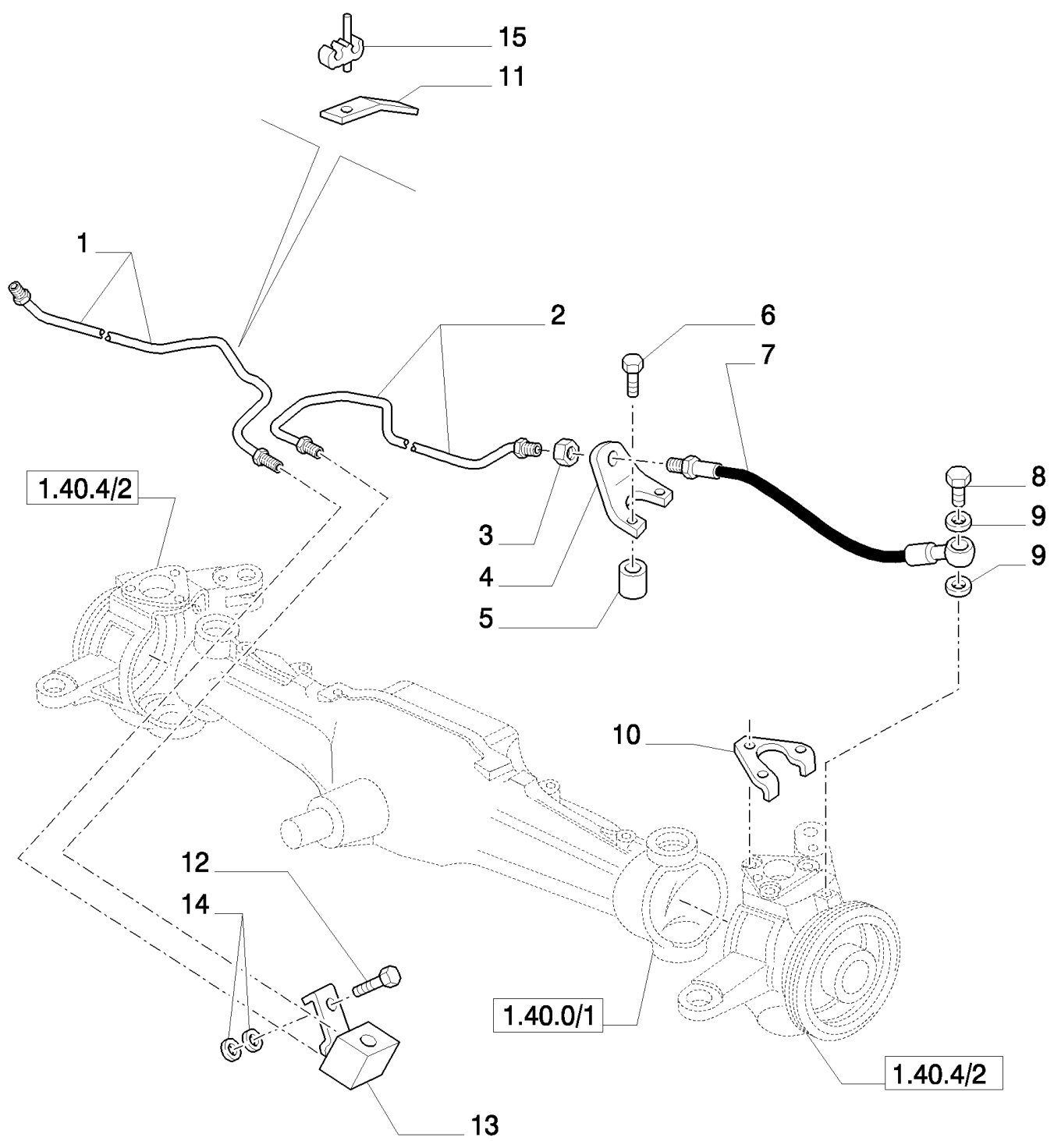
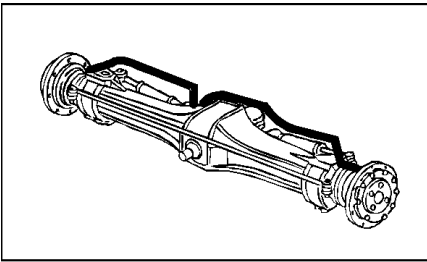
1.40.4/10



## MXM155 CASE IH TRACTOR (6/02- )

## 1.40.4/13(03) (VAR.452) 4WD FRONT AXLE WITH BRAKES FOR TERRALOCK - BRAKES

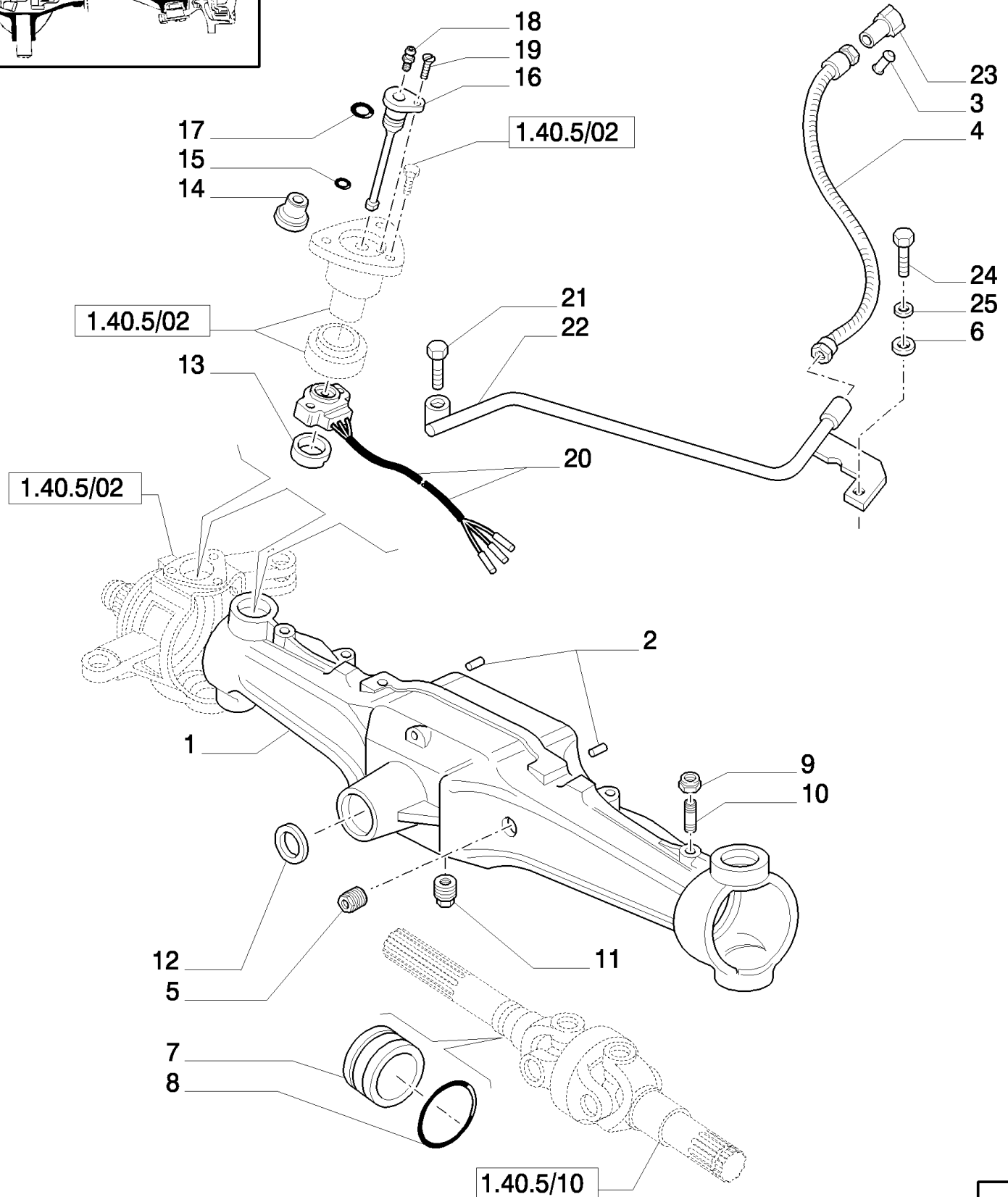
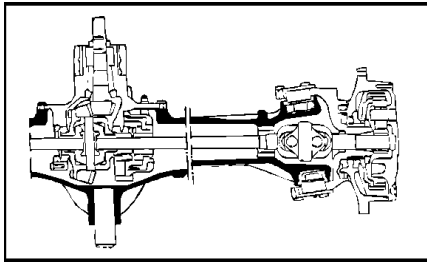
сылка	Номер детали	Кол-во	Описание
1	5178857	4	CIRCLIP,
2	14456981	4	O-RING, -111, CI 7, .424" ID x .103" Thk,
3	5173504	2	PAWL,
4	5153030	2	SCREW, BLEED,
5	5181994	2	HOUSING,
6	5181566	2	SEAL, 198.6 x 205.4 x 3.4
7	5178850	2	SEAL, 229.6 x 236.4 x 3.4
8	5179560	12	SLEEVE,
9	11200271	12	WASHER, LOCK, M16 x 34 x 4.4
10	16334430	12	BOLT, Hex, M16 x 1.5 x 60,
11	5181567	2	SPOOL,
12	5182010	2	HUB,
13	5178813	2	BRAKE DISC,
14	5178903	2	BRAKE DISC,
15	5181929	2	BRAKE DISC,
16	5181933	2	GEAR, RING,



## MXM155 CASE IH TRACTOR (6/02- )

## 1.40.4/13(04) (VAR.452) 4WD FRONT AXLE WITH BRAKES FOR TERRALOCK - BRAKES

сылка	Номер детали	Кол-во	Описание
1	5182946	1	BRAKE LINE, RH
2	5182948	1	BRAKE LINE, LH
3	10718114	2	NUT, LOCK, M16 x 1, CI 04,
4	5182969	1	BRACKET, LH
4	5182970	1	BRACKET, RH
5	5182910	3	SPACER,
6	15540924	3	BOLT, Hex, M12 x 1.25 x 55, 8.8,
7	5155700	2	HOSE, FLEXIBLE,
8	5155703	2	BOLT, BANJO, M12 x 1.25 x 22
9	4858607	4	WASHER, COPPER,
10	5183165	2	BRACKET,
11	5182997	1	COLLAR, RETAINER,
12	14274834	1	BOLT, Hex, M12 x 1.25 x 45,
13	5182950	1	BRACKET,
14	10520004	2	WASHER, M12 x 22 x 3,
15	14575380	1	RETAINER,

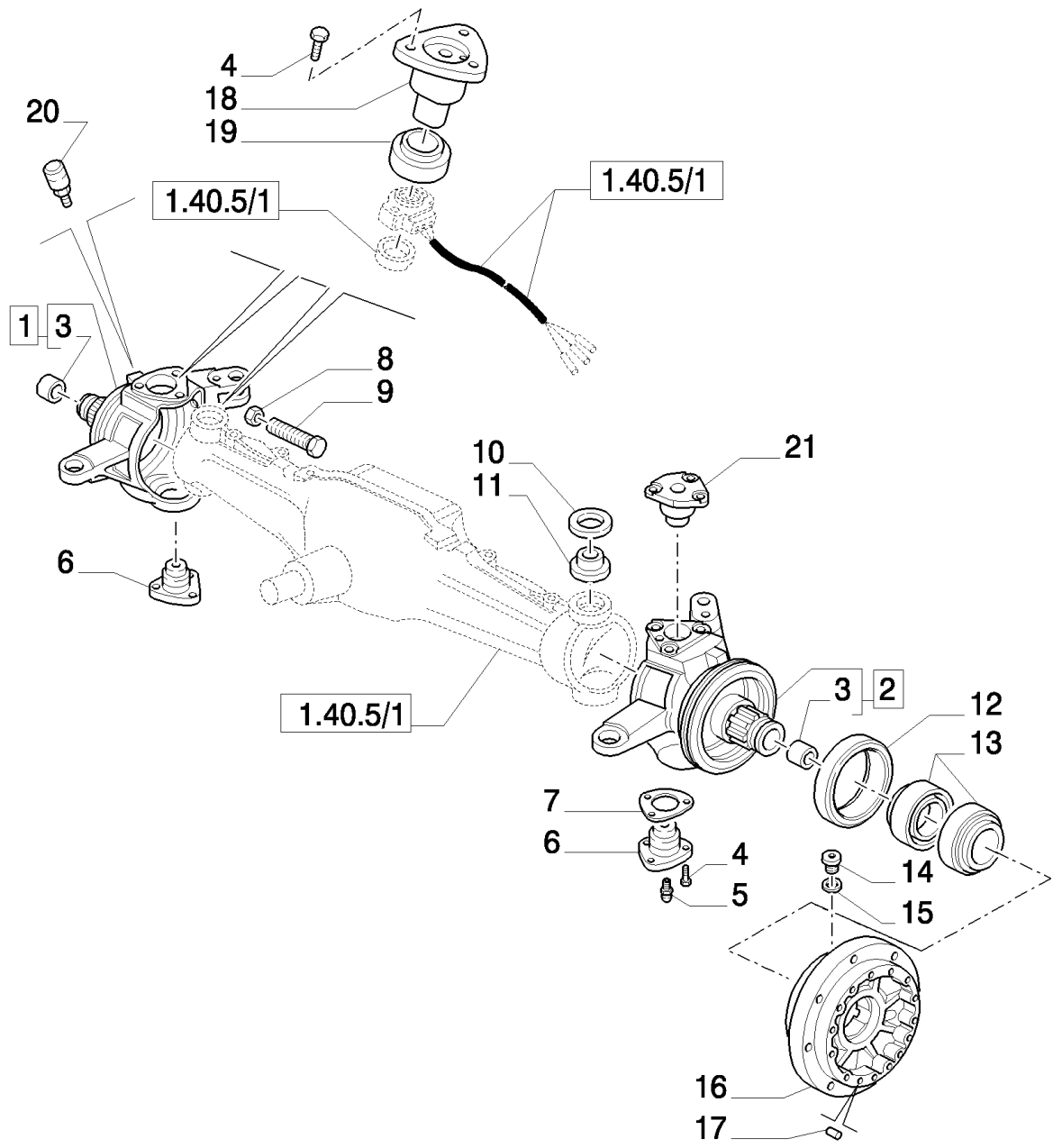
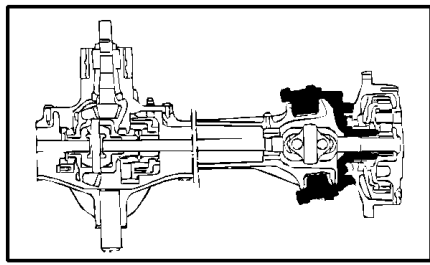


## MXM155 CASE IH TRACTOR (6/02- )

1.40.5/01 (VAR.452/1) 4WD FRONT AXLE WITH SUSPENSIONS, BRAKE, TERRALOCK, SPS - BOX

сылка	Номер детали	Кол-во	Описание
1	47136868	1	HOUSING, AXLE, , -C5196
1	87307363	1	HOUSING, AXLE, , D5196-
2	5174376	2	DOWEL, M16 x 30
3	82918419	1	PLUG,
4	82016109	1	SHEATH, FLEXIBLE,
5	14324411	1	PLUG,
6	10519604	1	WASHER, M8 x 17 x 2,
7	5184555	2	SLEEVE, MXM120, MXM130, MXM140, -C5338
7	87518052	2	SLEEVE, MXM120, MXM130, MXM140, D5338-
7	5134277	2	SLEEVE, MXM155, -C5243
7	87371236	2	BUSHING, , D5243-
8	14461180	2	O-RING, -153, 70 Duro, 3.487" ID x .103" Thk, , -C5243
8	14465680	2	O-RING, -238, 70 Duro, 3.484" ID x .139" Thk, , D5243-
9	16101524	2	NUT, M12 x 1.25, CI 10,
10	87316865	2	SCREW,
11	14326211	1	PLUG, Magnetic
12	5140888	1	RING,
13	5168958	1	SUPPORT, , -C5196
14	5175211	1	SLEEVE, , -C5196
15	14452780	1	O-RING, -010, 70 Duro, .239" ID x .070" Thk, (M6.07 ID x 1.78 Thk), -C5196
16	5178653	1	PIN, , -C5196
17	5135732	1	O-RING, -013, CI 9, .426" ID x .070" Thk, , -C5196
18	87414	1	NIPPLE, LUBE, 1/4"-28 x .56" lg, Drive, , -C5196
19	10384911	1	SCREW, M5 x 12, -C5196
20	82019691	1	SENSOR, Steering Angle, -C5196
21	15540824	1	BOLT, Hex, M12 x 1.25 x 50, 8.8,
22	5191224	1	TUBE,
23	82918426	1	CONNECTOR, ELEC, Incl. 3
24	16043424	1	SCREW, Hex, M8 x 20, 8.8, Full Thd,
25	11193874	1	WASHER, SPRING, Belleville, M8.4,

D5196 After Date 18 July 2005 (See also Sgr. 1.40.5/02)D5243 After Date 19 September 2006D5338 Afer Date 02 February 2006

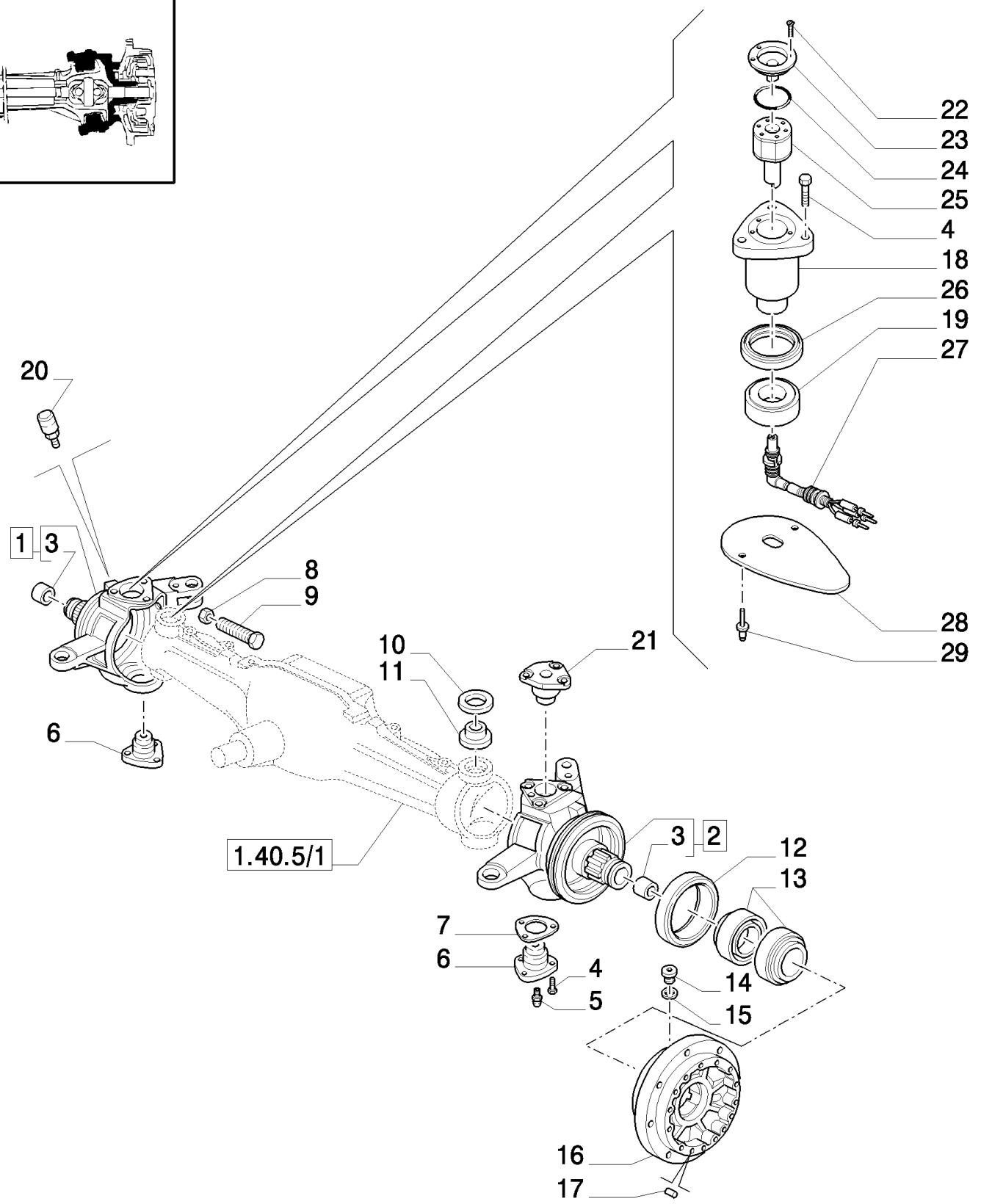
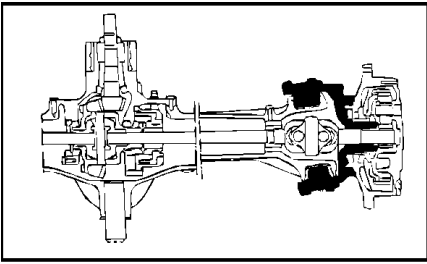


## MXM155 CASE IH TRACTOR (6/02- )

1.40.5/02(02) (VAR.452/1) 4WD FRONT AXLE WITH SUSPENSIONS,BRAKE, TERRALOCK - SPS - STEERING PIVOT PINS - C5196

сылка	Номер детали	Кол-во	Описание
1	5182002	1	STUB AXLE/STRG.SPINDLE, RH
2	5182000	1	STUB AXLE/STRG.SPINDLE, LH
3	5105321	2	BUSHING, 45 x 50 x 30
4	14254431	6	BOLT, Hex, M14 x 1.5 x 30,
4	14254534	6	BOLT, Hex, M14 x 1.5 x 35,
5	5120532	2	NIPPLE, LUBE, M14 x 1.5,
5	5191671	1	NIPPLE, LUBE, 45с, M14 x 1.5,
6	5137138	2	PIN, BALL,
7	5137114	AR	SHIM, .10mm Thk,
7	5137115	AR	SHIM, .15mm Thk,
8	10717611	2	NUT, Thin, M18 x 2.5, CI 04,
9	5179447	2	SCREW, M18 x 120
10	5121907	4	SEAL,
11	5119660	3	BALL JOINT,
12	5178141	2	SEAL, 190 x 220 x 14.5-18
13	5178845	4	BEARING, ROLLER, TAPERED,
14	10278301	2	PLUG, M28 x 1.5 x 11, Brass,
15	10282260	2	WASHER, SEALING, M28.4 x 36 x 1.5, Copper,
16	5182020	2	HUB,
17	4985063	2	DOWEL,
18	5186029	1	PIN,
19	5169911	1	BALL JOINT, 80mm ID
20	13413290	2	BREATHER,
21	5183085	1	PIN,



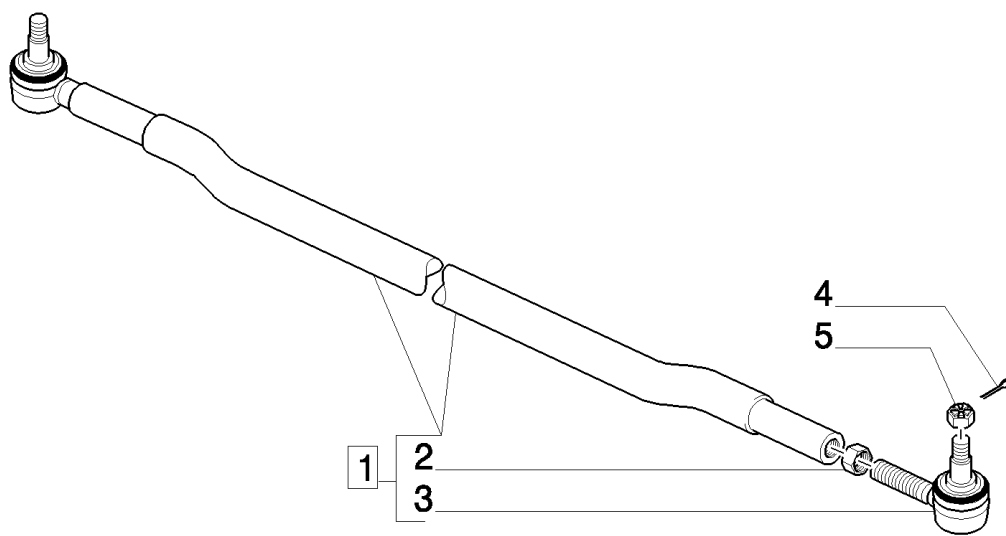
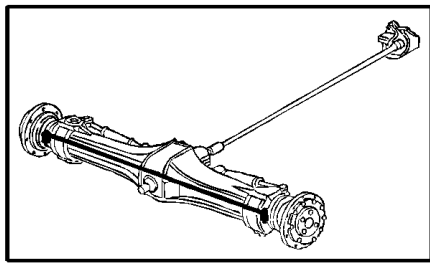


## MXM155 CASE IH TRACTOR (6/02-)

1.40.5/02(02A) (VAR.452/1) 4WD FRONT AXLE WITH SUSPENSIONS,BRAKE, TERRALOCK - SPS - STEERING PIVOT PINS - D519

сылка	Номер детали	Кол-во	Описание
1	5182002	1	STUB AXLE/STRG.SPINDLE, RH
2	5182000	1	STUB AXLE/STRG.SPINDLE, LH
3	5105321	2	BUSHING, 45 x 50 x 30
4	14254431	6	BOLT, Hex, M14 x 1.5 x 30,
4	14254534	6	BOLT, Hex, M14 x 1.5 x 35,
5	5120532	2	NIPPLE, LUBE, M14 x 1.5,
5	5191671	1	NIPPLE, LUBE, 45с, M14 x 1.5,
6	5137138	2	PIN, BALL,
7	5137114	AR	SHIM, .10mm Thk,
7	5137115	AR	SHIM, .15mm Thk,
8	10717611	2	NUT, Thin, M18 x 2.5, CI 04,
9	5179447	2	SCREW, M18 x 120
10	5121907	4	SEAL,
11	5119660	3	BALL JOINT,
12	5178141	2	SEAL, 190 x 220 x 14.5-18
13	87303827	4	BEARING, ROLLER, TAPERED,
14	10278301	2	PLUG, M28 x 1.5 x 11, Brass,
15	10282260	2	WASHER, SEALING, M28.4 x 36 x 1.5, Copper,
16	5182020	2	HUB, , -C5201
16	87341366	2	HUB, , D5201-
17	4985063	2	DOWEL,
18	87309308	1	PIN, BALL,
19	47137676	1	BALL JOINT,
20	13413290	2	BREATHER,
21	5183085	1	PIN,
22	10384911	3	SCREW, M5 x 12
23	87309292	1	PIN,
24	14458280	1	O-RING, -124, 70 Duro, 1.237" ID x .103" Thk,
25	87303761	1	SENSOR, Steering
26	47137701	1	SEAL,
27	87303770	1	CONNECTOR, ELEC,
28	87315098	1	SHIELD,
29	14643091	2	RIVET,

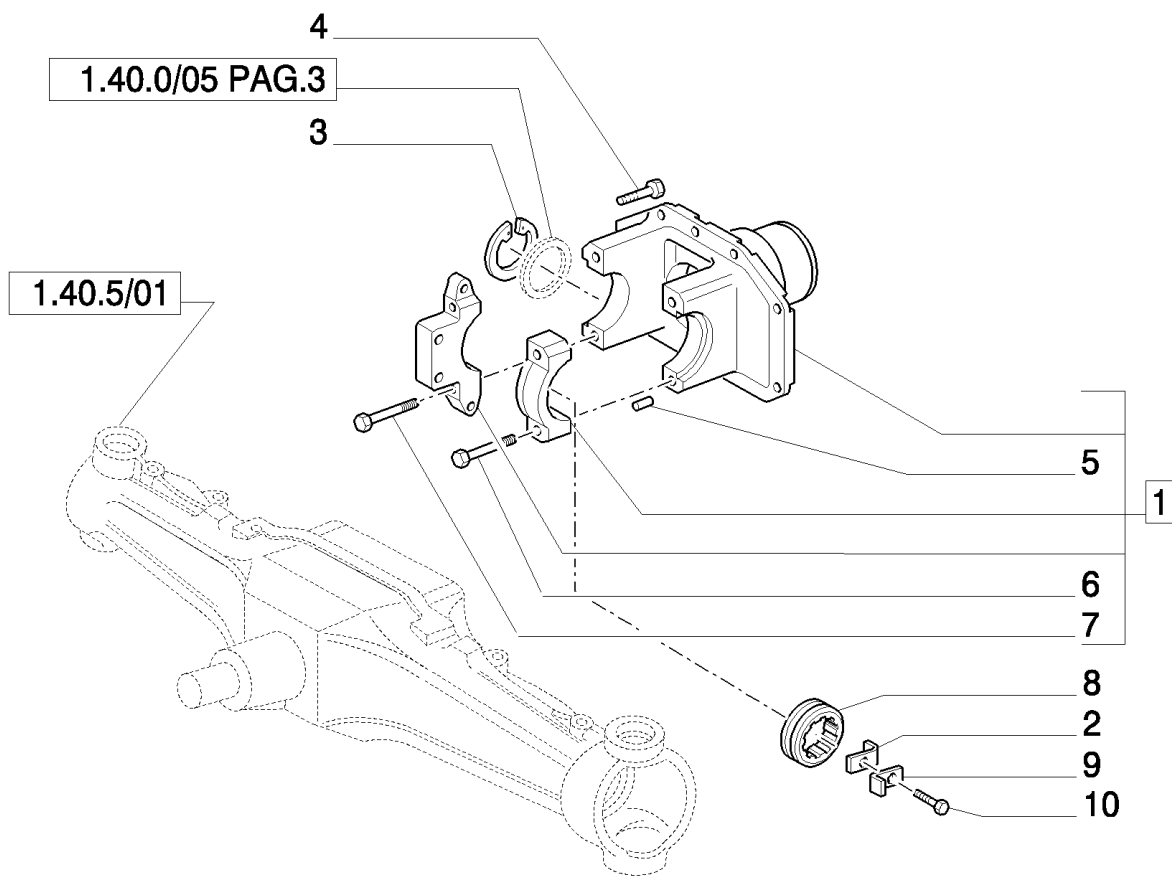
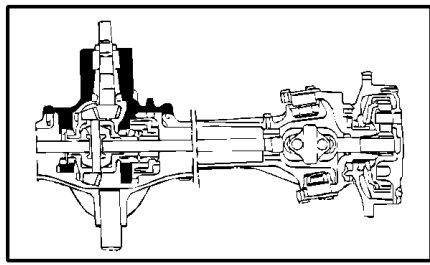
D5196 After Date 18 July 2005 D5201 After Date 01 June 2005



MXM155 CASE IH TRACTOR (6/02- )

1.40.5/04 (VAR.452/1) 4WD FRONT AXLE WITH SUSPENSIONS, BRAKE, TERRALOCK, SPS - TIE-ROD

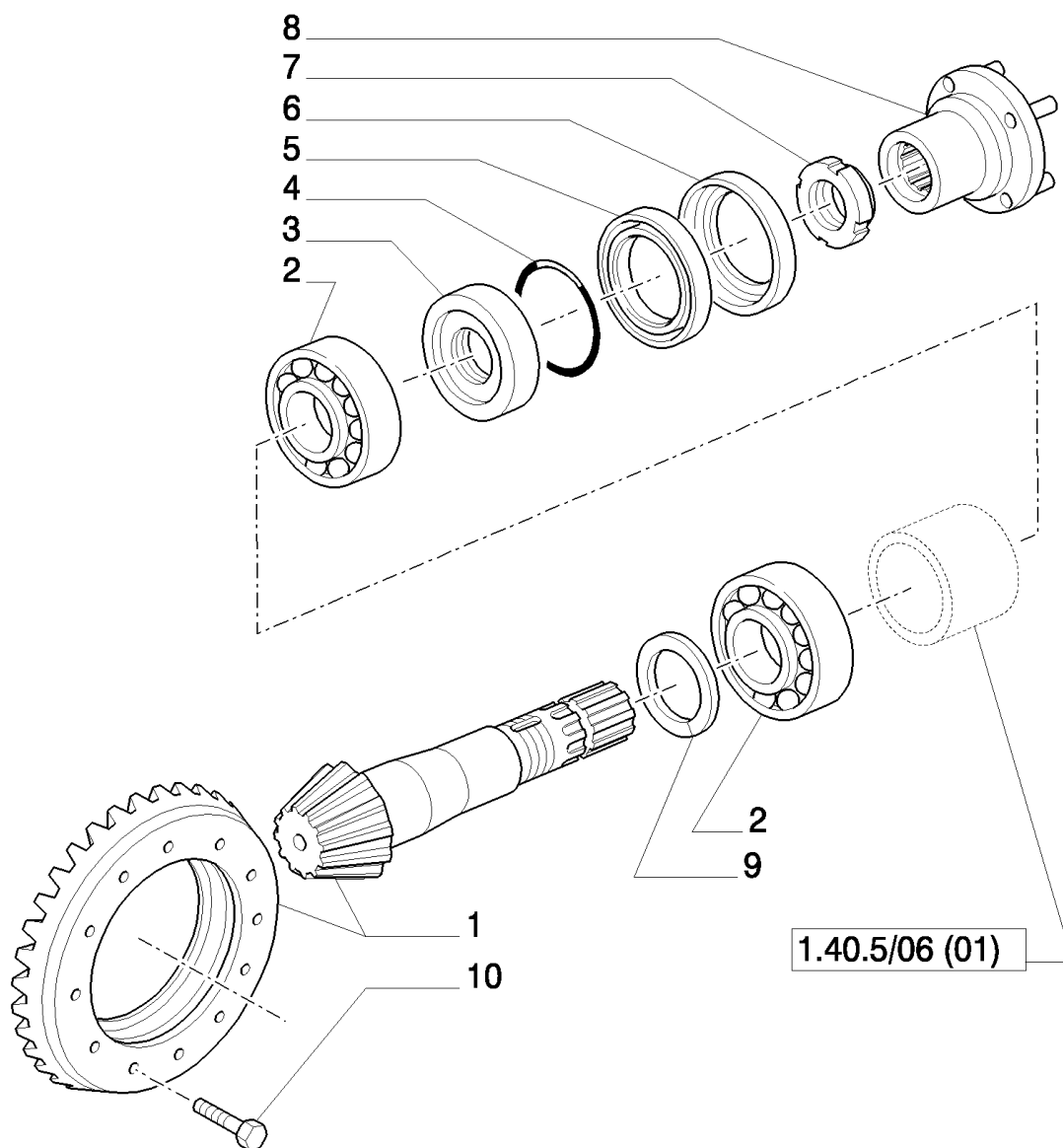
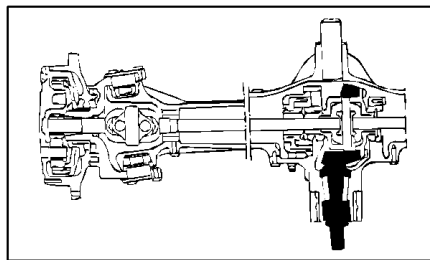
сылка	Номер детали	Кол-во	Описание
1	5177449	1	TRACK ROD ASSY,
2	10726911	1	NUT, Thin, M24 x 1.5, CI 04,
3	5117314	1	TRACK ROD END, M18 x M24 Threads
4	10733801	2	PIN, SPLIT (COTTER), M4 x 36,
5	10724611	2	NUT, M18 x 1.5
5	12576014	2	NUT, LOCK, M18 x 1.5,



## MXM155 CASE IH TRACTOR (6/02- )

## 1.40.5/05(02) (VAR.452/1) 4WD FRONT AXLE WITH SUSPENSIONS, BRAKE, TERRALOCK, SPS - SUPPORT

сылка	Номер детали	Кол-во	Описание
1	5190844	1	SUPPORT,
2	4966243	1	CLIP,
3	11075476	1	RING, SNAP, M110, Int,
4	16217734	16	BOLT, Hex, M16 x 50,
4	14360524	4	SCREW, Hex Soc Hd, M12 x 1.25 x 20, 8.8,
5	4966530	4	DOWEL, M6 x 18
6	14255330	2	SCREW, M14 x 1.5 x 75
7	14255731	2	BOLT, Hex, M14 x 1.5 x 90,
8	5110423	1	NUT, RING, M115 x 15
9	562659	1	PLATE,
10	15970524	1	BOLT, Hex, M10 x 1.25 x 20, 8.8, Full Thd,



## MXM155 CASE IH TRACTOR (6/02- )

## 1.40.5/06(02) (VAR.452/1) 4WD FRONT AXLE WITH SUSPENSIONS, BRAKE, TERRALOCK, SPS - BEVEL GEAR PAIR

сылка	Номер детали	Кол-во	Описание
1	5179445	1	GEAR SET, Ring & Pinion, Ratio 10/34
2	5141714	2	BEARING, ROLLER, TAPERED, 45 x 100 x 38.25
3	5179417	1	RING,
4	14459080	1	O-RING, -131, 70 Duro, 1.737" ID x .103" Thk,
5	5119262	1	SEAL, 80 x 110 x 12
6	5179995	1	CUP,
7	5111953	1	NUT, M24 x 20
8	5190345	1	FLANGE,
9	7888012	AR	RING, 45.1 x 58 x 0.5 mm
9	5121690	AR	RING, M45.1 x 58 x 2.3,
9	5121691	AR	RING, M45.1 x 58 x 2.4,
9	4999063	AR	RING, M45.1 x 58 x 2.5,
9	4999064	AR	RING, M45.1 x 58 x 2.6 ,
9	4999065	AR	RING, M45.1 x 58 x 2.7 ,
9	4999066	AR	RING, M45.1 x 58 x 2.8,
9	4999067	AR	RING, M45.1 x 58 x 2.9 ,
10	14274631	12	BOLT, Hex, M12 x 1.25 x 35,





## MXM155 CASE IH TRACTOR (6/02- )

1.40.5/09(02) (VAR.452/1) 4WD FRONT AXLE WITH SUSPENSIONS, BRAKE, TERRALOCK, SPS - HYDRAULIC DIFFERENTIAL LOCK

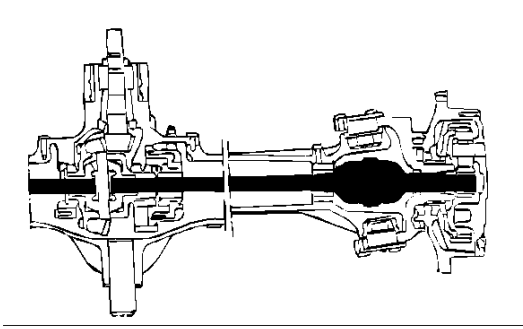
сылка	Номер детали	Кол-во	Описание
1	5141750	1	CLUTCH, PLATE,
2	5134095	1	RING, LOCKING, D=200
3	5134083	1	HOUSING,
4	11083176	1	RING, SNAP, M125, Ext,
5	5198090	6	CLUTCH, PLATE,
6	5198088	5	CLUTCH, PLATE,
7	5135032	1	HALF-RING,
8	5134099	1	HUB,
9	5144582	1	DISC,
10	5134174	1	BEARING, ROLLER,
11	5134175	1	WASHER, THRUST, 140 x 180 x 1
12	5134093	1	PLUNGER,
13	5140120	1	O-RING, 2.62 x 145.72
14	5120761	3	SPRING,
15	14306524	5	SCREW, Hex Soc Hd, M8 x 30, 8.8,
16	10569374	5	WASHER, LOCK, M8
17	14452881	1	O-RING, -011, CI 7, .301" ID x .070" Thk, (M7.65 ID x 1.78 Thk)
18	5140121	1	O-RING, 2.62 x 171.12
19	5148467	1	PIN,
20	5148468	1	FLANGE,
21	5188462	1	TUBE,
22	14306321	1	SCREW, Hex Soc Hd, M8 x 20, 8.8,
23	14453081	1	O-RING, -013, CI 7, .426" ID x .070" Thk, (M10.82 ID x 1.78 Thk)
24	5185510	1	O-RING, M9.25 ID x 1.78 Thk



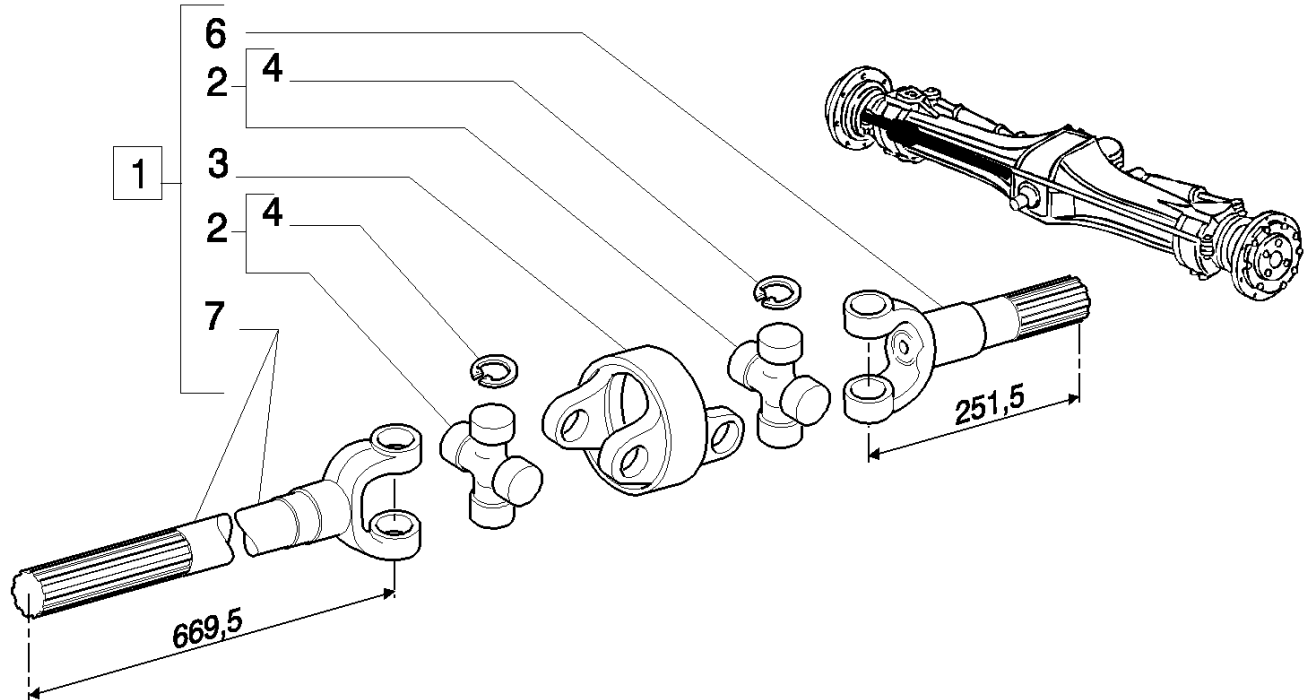
## MXM155 CASE IH TRACTOR (6/02- )

## 1.40.5/10(02) (VAR.452/1) 4WD FRONT AXLE WITH SUSPENSIONS,BRAKE, TERRALOCK - SPS - GEARS AND DIFFERENTIAL AX

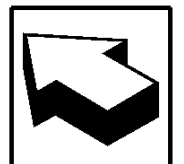
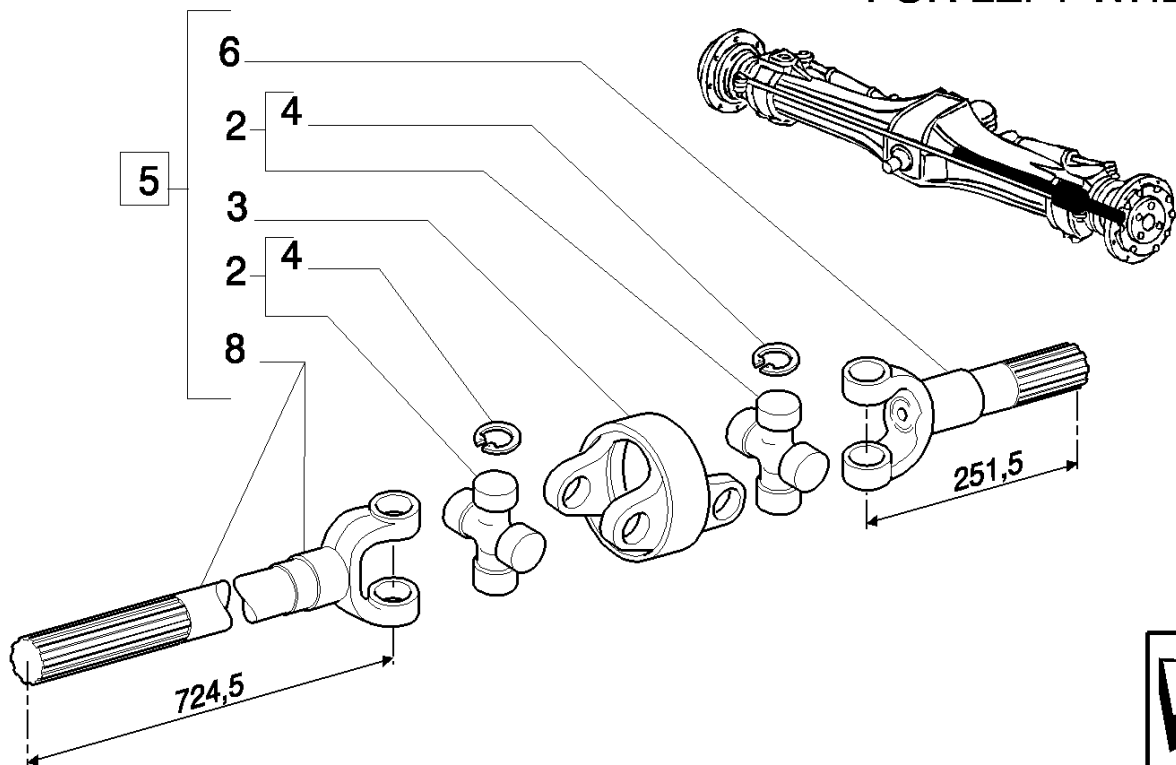
сылка	Номер детали	Кол-во	Описание
1	5181947	1	AXLE-SHAFT, ARTICULATED, LH
1	5181946	1	AXLE-SHAFT, ARTICULATED, RH
2	11061376	4	RING, SNAP, M68, Int,
3	28042480	2	BEARING, BALL, 40 x 68 x 15
4	5109311	2	SEAL PROTECTION,
5	5105948	2	SEAL, 45 x 68 x 12
6	5183845	2	SEAL, 65 x 45 x 18.5
7	5123651	6	RING,
8	5181054	2	CARRIER,
9	4998022	12	WASHER, THRUST,
10	5102132	6	PINION, IDLER,
11	5101692	6	BEARING, NEEDLE, 31.8 x 41.9 x 35.5
12	5181056	6	PIN,
13	5181054	2	CARRIER,
14	14274631	24	BOLT, Hex, M12 x 1.25 x 35,
15	5136819	2	GEAR, PLANETARY,
16	14326211	2	PLUG, Magnetic



### FOR RIGHT WHEEL



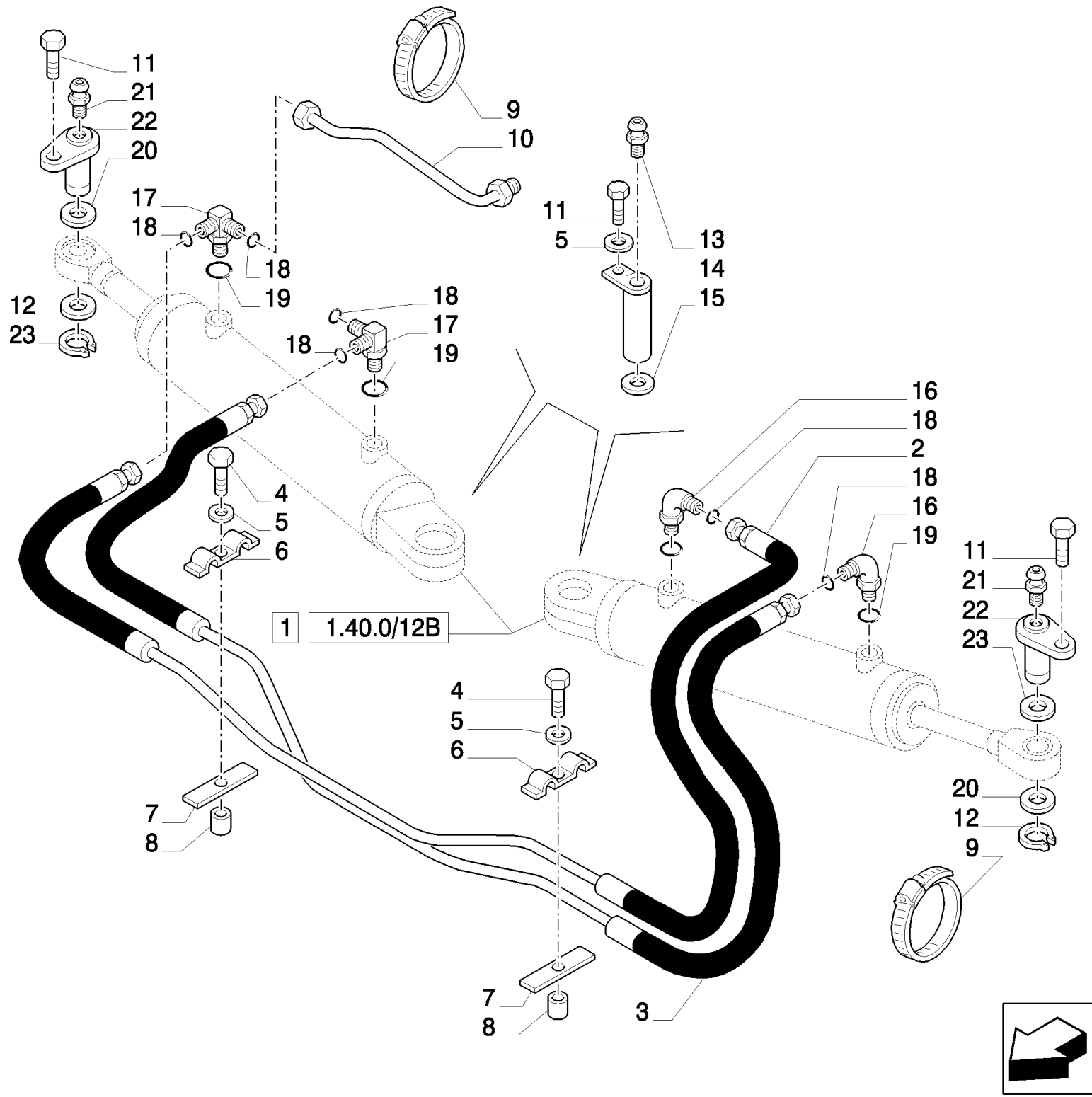
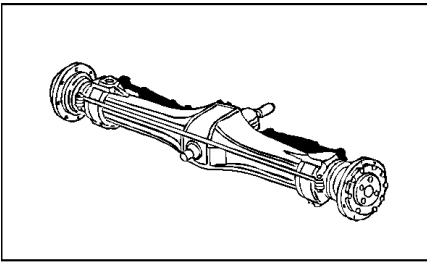
### FOR LEFT WHEEL



MXM155 CASE IH TRACTOR (6/02- )

1.40.5/10B (VAR.452/1) 4WD FRONT AXLE WITH SUSPENSIONS, BRAKE, TERRALOCK - SPS - ARTICULATED HALF-AXLE

сылка	Номер детали	Кол-во	Описание
1	5181946	1	AXLE-SHAFT, ARTICULATED, Assy, RH
2	5191482	2	SPIDER,
3	5191485	1	YOKE,
4	5191483	8	RING, LOCKING,
5	5181947	1	AXLE-SHAFT, ARTICULATED, Assy, LH
6	5191488	1	YOKE, Outer, Short
7	5191486	1	SHAFT, Inner, Long, RH
8	5191487	1	SHAFT, Inner, Long, LH

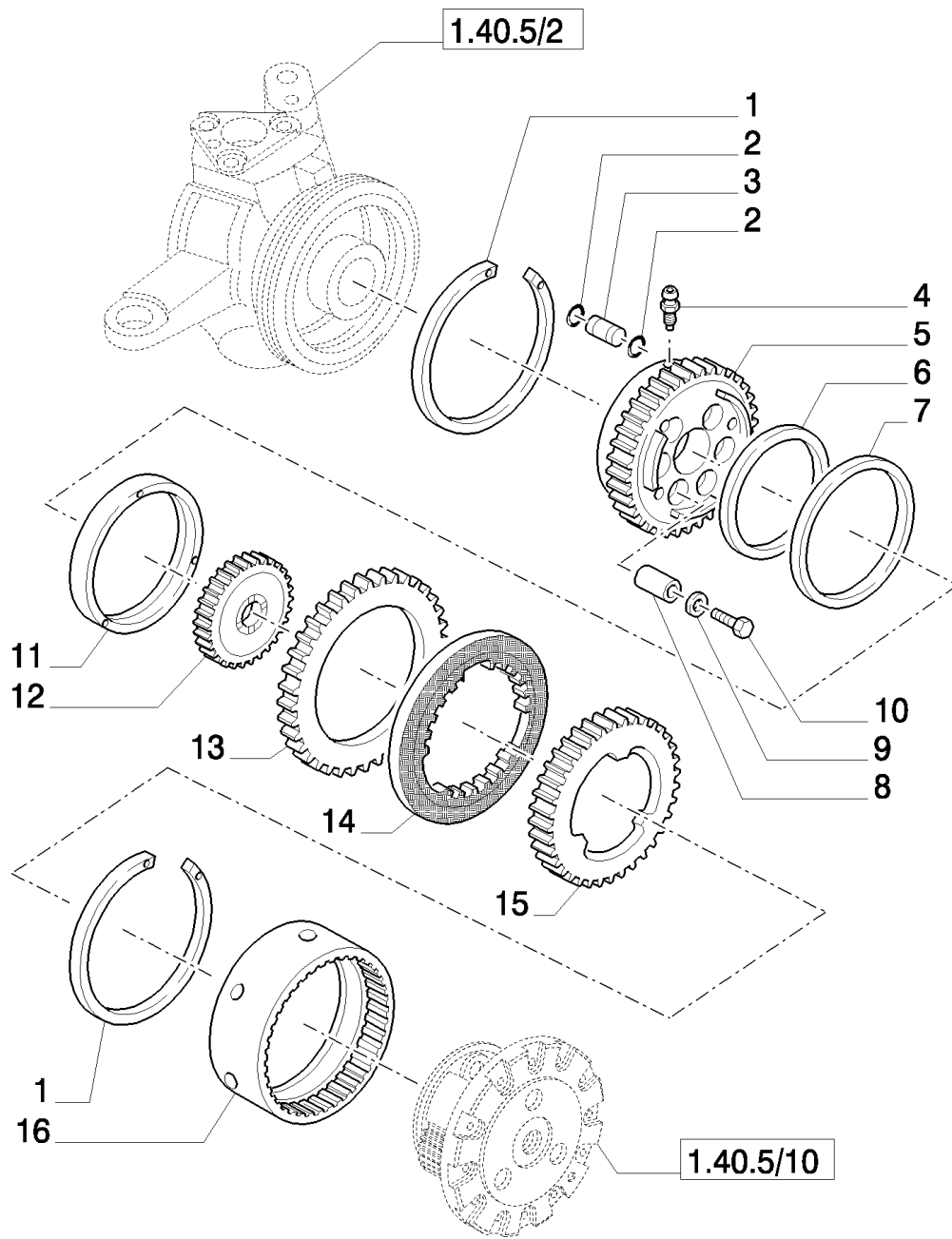
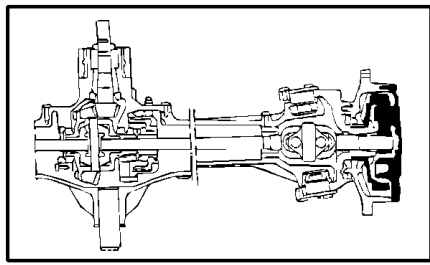


## MXM155 CASE IH TRACTOR (6/02- )

## 1.40.5/12 (VAR.452/1) 4WD FRONT AXLE WITH SUSPENSIONS, BRAKE, TERRALOCK, SPS - POWER STEERING CYLINDER

сылка	Номер детали	Кол-во	Описание
1	5164022	2	CYLINDER STEERING,
2	5188440	1	HOSE, FLEXIBLE, RH
3	5188439	1	HOSE, FLEXIBLE, LH
4	16043824	3	BOLT, Hex, M8 x 30, 8.8, Full Thd,
5	11193874	4	WASHER, SPRING, Belleville, M8.4,
6	5188504	2	BRACKET,
7	5188503	2	BRACKET,
8	13605811	2	SPACER, M8.5 x 18 x 10,
9	13000990	2	CLAMP, HOSE, D=60-80
10	5188452	1	TUBE, HYD,
11	16043424	3	SCREW, Hex, M8 x 20, 8.8, Full Thd,
12	11067376	2	RING, SNAP, M25, Ext,
13	5191671	2	NIPPLE, LUBE, 45с, M14 x 1.5,
14	5198013	2	PIN,
15	5111576	2	SPACER, M25.5 x 34 x 11,
16	47127165	2	ELBOW, 11/16"-16, M14 x 1.5
17	5188443	2	CONNECTOR, HYD.,
18	5185510	6	O-RING, M9.25 ID x 1.78 Thk
19	14437785	4	O-RING, 11.3MM ID x 2.4 Thk,
20	5111573	4	WASHER, LOCK, 25.5 x 34
21	87414	2	NIPPLE, LUBE, 1/4"-28 x .56" lg, Drive,
22	5171707	2	PIN,

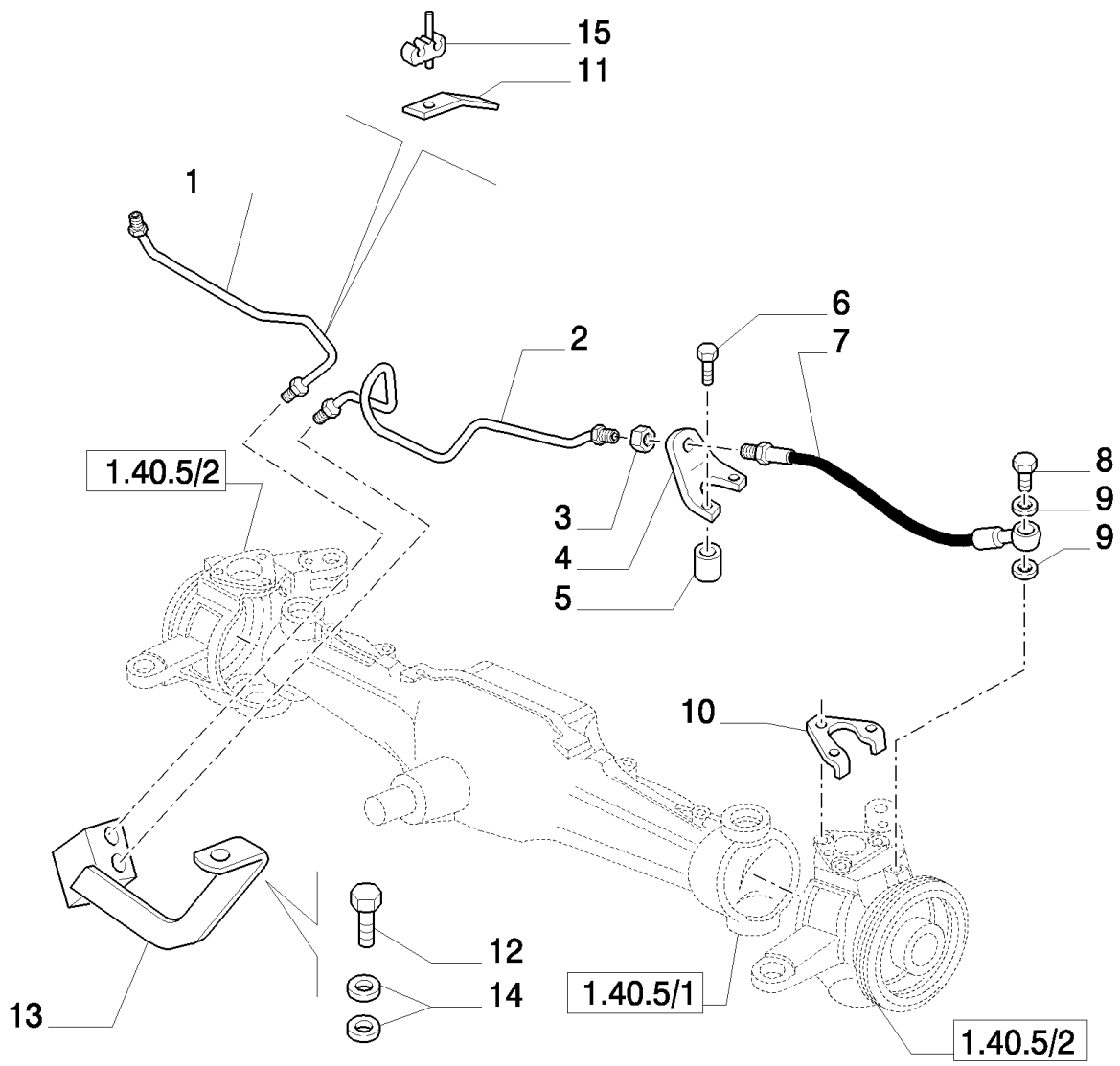
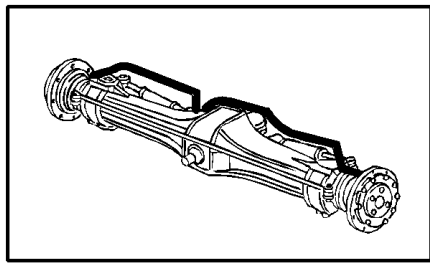




## MXM155 CASE IH TRACTOR (6/02- )

## 1.40.5/13(02) (VAR.452/1) 4WD FRONT AXLE WITH SUSPENSIONS, BRAKE, TERRALOCK, SPS - BRAKES

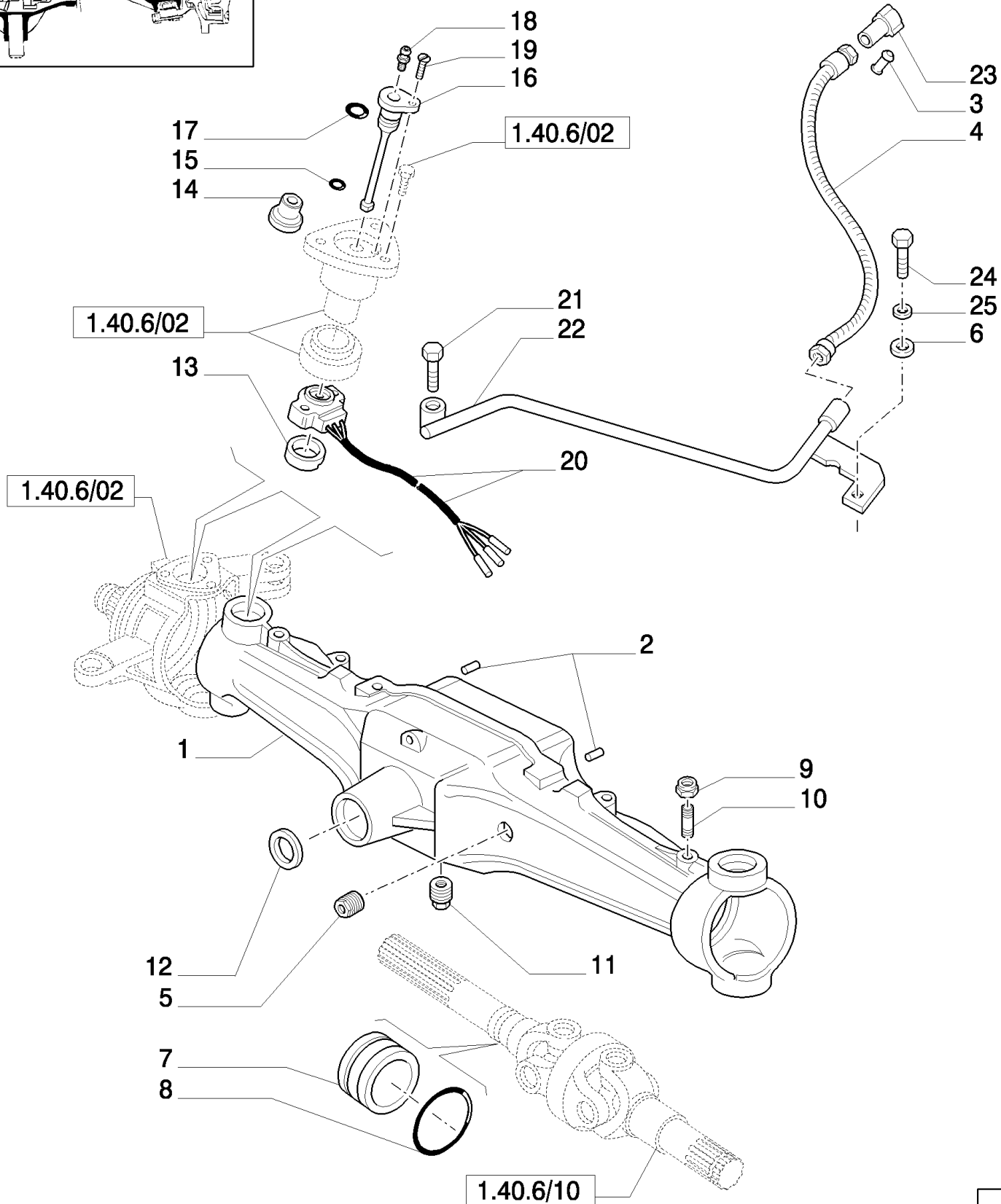
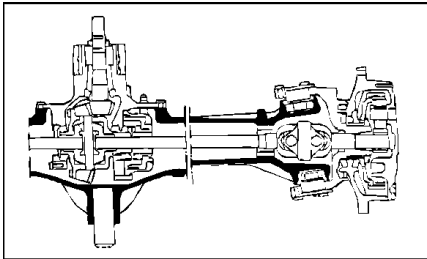
сылка	Номер детали	Кол-во	Описание
1	5178857	4	CIRCLIP,
2	14456981	4	O-RING, -111, CI 7, .424" ID x .103" Thk,
3	5173504	2	PAWL,
4	5153030	2	SCREW, BLEED,
5	5181994	2	HOUSING,
6	5181566	2	SEAL, 198.6 x 205.4 x 3.4
7	5178850	2	SEAL, 229.6 x 236.4 x 3.4
8	5179560	12	SLEEVE,
9	11200271	12	WASHER, LOCK, M16 x 34 x 4.4
10	16334430	12	BOLT, Hex, M16 x 1.5 x 60,
11	5181567	2	SPOOL,
12	5182010	2	HUB,
13	5178813	2	BRAKE DISC,
14	5178903	2	BRAKE DISC,
15	5181929	2	BRAKE DISC,
16	5181933	2	GEAR, RING,



## MXM155 CASE IH TRACTOR (6/02- )

## 1.40.5/13(04) (VAR.452/1) 4WD FRONT AXLE WITH SUSPENSIONS, BRAKE, TERRALOCK, SPS - BRAKES

сылка	Номер детали	Кол-во	Описание
1	5188458	1	BRAKE LINE, RH
2	5188464	1	BRAKE LINE, LH
3	10718114	2	NUT, LOCK, M16 x 1, CI 04,
4	5182969	1	BRACKET, LH
4	5182970	1	BRACKET, RH
5	5182910	3	SPACER,
6	15540924	3	BOLT, Hex, M12 x 1.25 x 55, 8.8,
7	5155700	2	HOSE, FLEXIBLE,
8	5155703	2	BOLT, BANJO, M12 x 1.25 x 22
9	4858607	4	WASHER, COPPER,
10	5183165	2	BRACKET,
11	5182997	1	COLLAR, RETAINER,
12	14274834	1	BOLT, Hex, M12 x 1.25 x 45,
13	5188505	1	BRACKET,
14	10520004	2	WASHER, M12 x 22 x 3,
15	14575380	1	RETAINER,

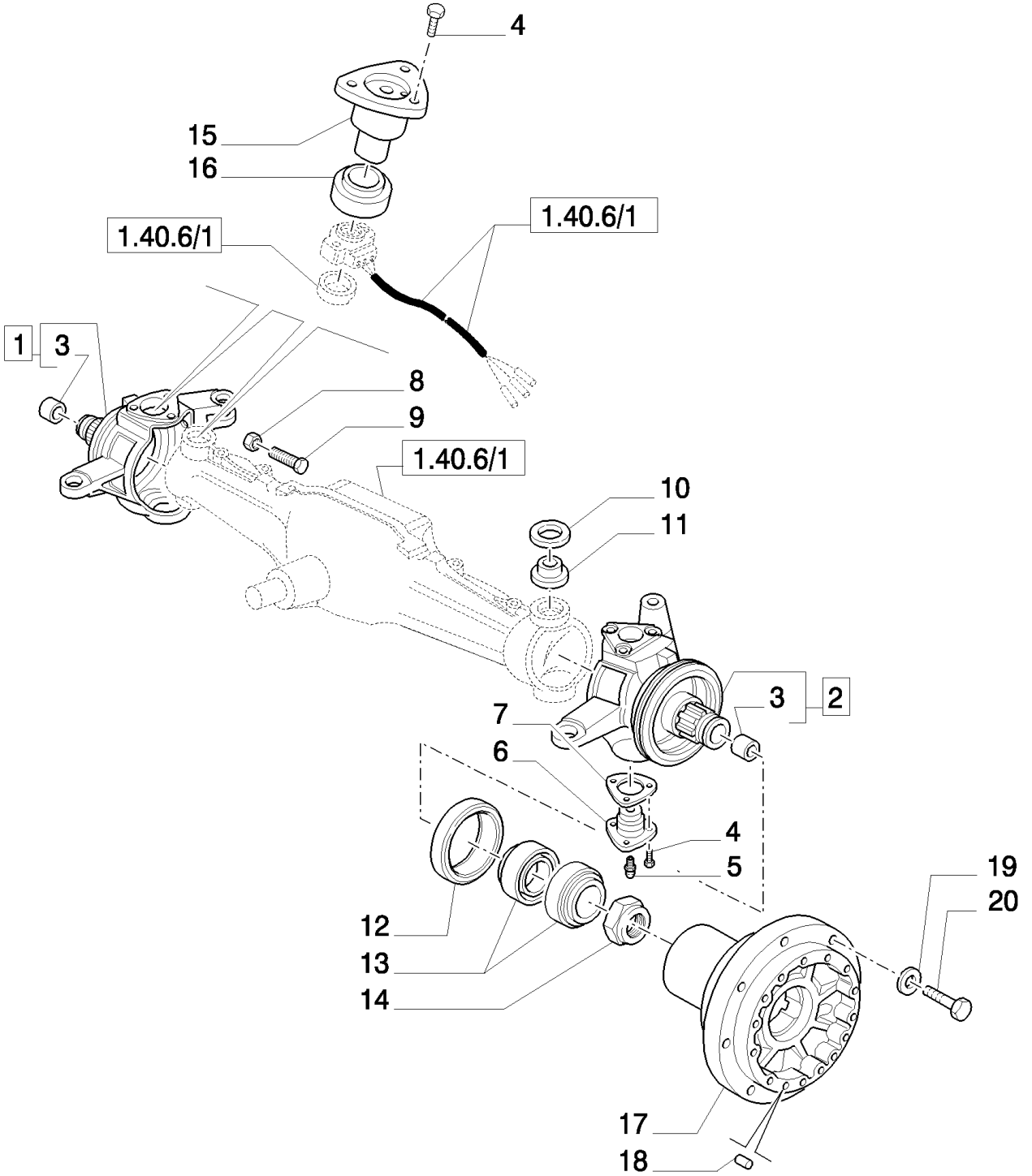
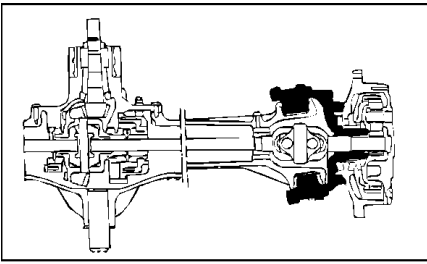


## MXM155 CASE IH TRACTOR (6/02- )

## 1.40.6/01 (VAR.463) 4WD FRONT AXLE WITH SUSPENSIONS, FULL POWER SHIFT - BOX

сылка	Номер детали	Кол-во	Описание
1	47136868	1	HOUSING, AXLE, , -C5196
1	87307363	1	HOUSING, AXLE, , D5196-
2	5174376	2	DOWEL, M16 x 30
3	82918419	1	PLUG,
4	82016109	1	SHEATH, FLEXIBLE,
5	14324411	1	PLUG,
6	10519604	1	WASHER, M8 x 17 x 2,
7	5184555	2	SLEEVE, MXM120, MXM130, MXM140, -C5338
7	87518052	2	SLEEVE, MXM120, MXM130, MXM140, D5338-
7	5134277	2	SLEEVE, MXM155, MXM175, MXM190, -C5243
7	87371236	2	BUSHING, MXM155, MXM175, MXM190, D5243-
8	14461180	2	O-RING, -153, 70 Duro, 3.487" ID x .103" Thk, , -C5243
8	14465680	2	O-RING, -238, 70 Duro, 3.484" ID x .139" Thk, , D5243-
9	16101524	2	NUT, M12 x 1.25, CI 10,
10	87316865	2	SCREW,
11	14326211	1	PLUG, Magnetic
12	5140888	1	RING,
13	5168958	1	SUPPORT, , -C5196
14	5175211	1	SLEEVE, , -C5196
15	14452780	1	O-RING, -010, 70 Duro, .239" ID x .070" Thk, (M6.07 ID x 1.78 Thk), -C5196
16	5178653	1	PIN, , -C5196
17	14453081	1	O-RING, -013, CI 7, .426" ID x .070" Thk, (M10.82 ID x 1.78 Thk), -C5196
18	87414	1	NIPPLE, LUBE, 1/4"-28 x .56" lg, Drive, , -C5196
19	10384911	1	SCREW, M5 x 12, -C5196
20	82019691	1	SENSOR, Steering Angle, -C5196
21	15540824	1	BOLT, Hex, M12 x 1.25 x 50, 8.8,
22	5191224	1	TUBE,
23	82918426	1	CONNECTOR, ELEC, Incl. 3
24	16043424	1	SCREW, Hex, M8 x 20, 8.8, Full Thd,
25	11193874	1	WASHER, SPRING, Belleville, M8.4,

D5196 After Date 18 July 2005 D5243 After Date 19 September 2006 D5338 After Date 02 February 2006

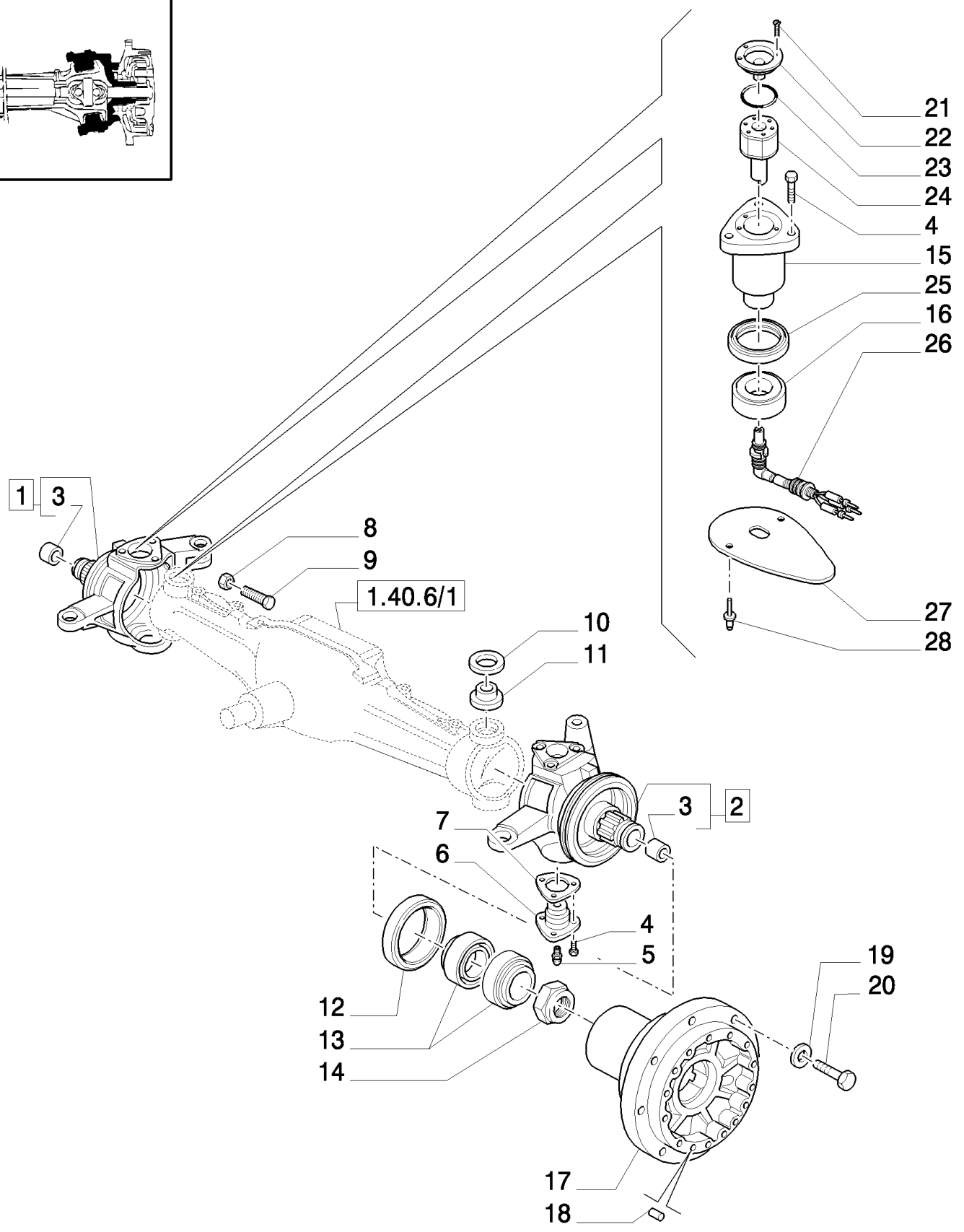
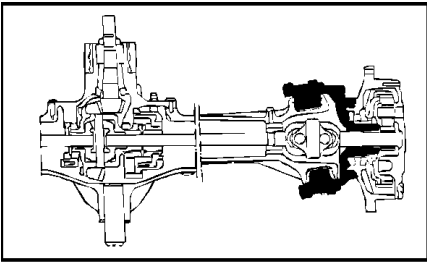


## MXM155 CASE IH TRACTOR (6/02- )

## 1.40.6/02(02) (VAR.463) 4WD FRONT AXLE WITH SUSPENSIONS, FULL POWER SHIFT - STEERING PIVOT PINS AND HUBS - C5

сылка	Номер детали	Кол-во	Описание
1	5171706	1	KNUCKLE, STEERING, RH, MXM155
1	5198872	1	KNUCKLE, STEERING, RH, MXM175, MXM190
1	5198870	1	STUB AXLE/STRG.SPINDLE, LH, MXM175, MXM190
2	5171704	1	KNUCKLE, STEERING, LH, MXM155
3	5105321	2	BUSHING, 45 x 50 x 30
4	14254431	12	BOLT, Hex, M14 x 1.5 x 30,
5	5120532	2	NIPPLE, LUBE, M14 x 1.5,
5	5191671	1	NIPPLE, LUBE, 45с, M14 x 1.5,
6	5137138	3	PIN, BALL,
7	5137114	AR	SHIM, .10mm Thk,
7	5137115	AR	SHIM, .15mm Thk,
8	10717611	2	NUT, Thin, M18 x 2.5, CI 04,
9	5179447	2	SCREW,
10	5121907	4	SEAL,
11	5119660	3	BALL JOINT,
12	5178141	2	SEAL, 190 x 220 x 14.5-18
13	5133737	4	BEARING, ROLLER, TAPERED, 109.538 x 158.750 x 23.02
14	5141692	2	NUT, RING, M90 x 22
15	5175208	1	PIN,
16	5169911	1	BALL JOINT, 80mm ID
17	5156065	2	HUB,
18	4985063	4	DOWEL,
19	5100516	16	WASHER, M17 x 32 x 5
20	11390534	16	BOLT, Hex, M16 x 40, 10.9, Full Thd,



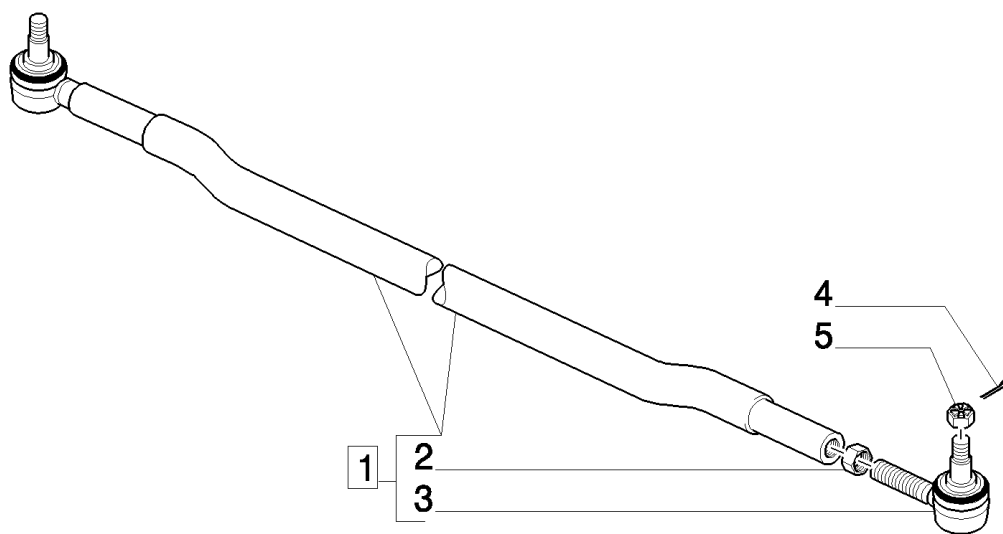
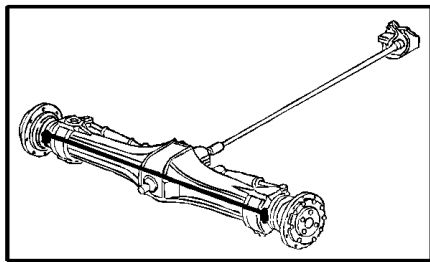


## MXM155 CASE IH TRACTOR (6/02- )

1.40.6/02(02A) (VAR.463) 4WD FRONT AXLE WITH SUSPENSIONS, FULL POWER SHIFT - STEERING PIVOT PINS AND HUBS - D

сылка	Номер детали	Кол-во	Описание
1	5171706	1	KNUCKLE, STEERING, RH, MXM155
1	5198872	1	KNUCKLE, STEERING, RH, MXM175, MXM190
1	5198870	1	STUB AXLE/STRG.SPINDLE, LH, MXM175, MXM190
2	5171704	1	KNUCKLE, STEERING, LH, MXM155
3	5105321	2	BUSHING, 45 x 50 x 30
4	14254431	12	BOLT, Hex, M14 x 1.5 x 30,
5	5120532	2	NIPPLE, LUBE, M14 x 1.5,
5	5191671	1	NIPPLE, LUBE, 45с, M14 x 1.5,
6	5137138	3	PIN, BALL,
7	5137114	AR	SHIM, .10mm Thk,
7	5137115	AR	SHIM, .15mm Thk,
8	10717611	2	NUT, Thin, M18 x 2.5, CI 04,
9	5179447	2	SCREW,
10	5121907	4	SEAL,
11	5119660	3	BALL JOINT,
12	5178141	2	SEAL, 190 x 220 x 14.5-18
13	5133737	4	BEARING, ROLLER, TAPERED, 109.538 x 158.750 x 23.02
14	5141692	2	NUT, RING, M90 x 22
15	87309308	1	PIN, BALL,
16	47137676	1	BALL JOINT,
17	5156065	2	HUB, , -C5201
17	87341364	2	HUB, , D5201-
18	4985063	4	DOWEL,
19	5100516	16	WASHER, M17 x 32 x 5
20	11390534	16	BOLT, Hex, M16 x 40, 10.9, Full Thd,
21	10384911	3	SCREW, M5 x 12
22	87309292	1	PIN,
23	14458280	1	O-RING, -124, 70 Duro, 1.237" ID x .103" Thk,
24	87303761	1	SENSOR, Steering
25	47137701	1	SEAL,
26	87303770	1	CONNECTOR, ELEC,
27	87315098	1	SHIELD,
28	14643091	2	RIVET,

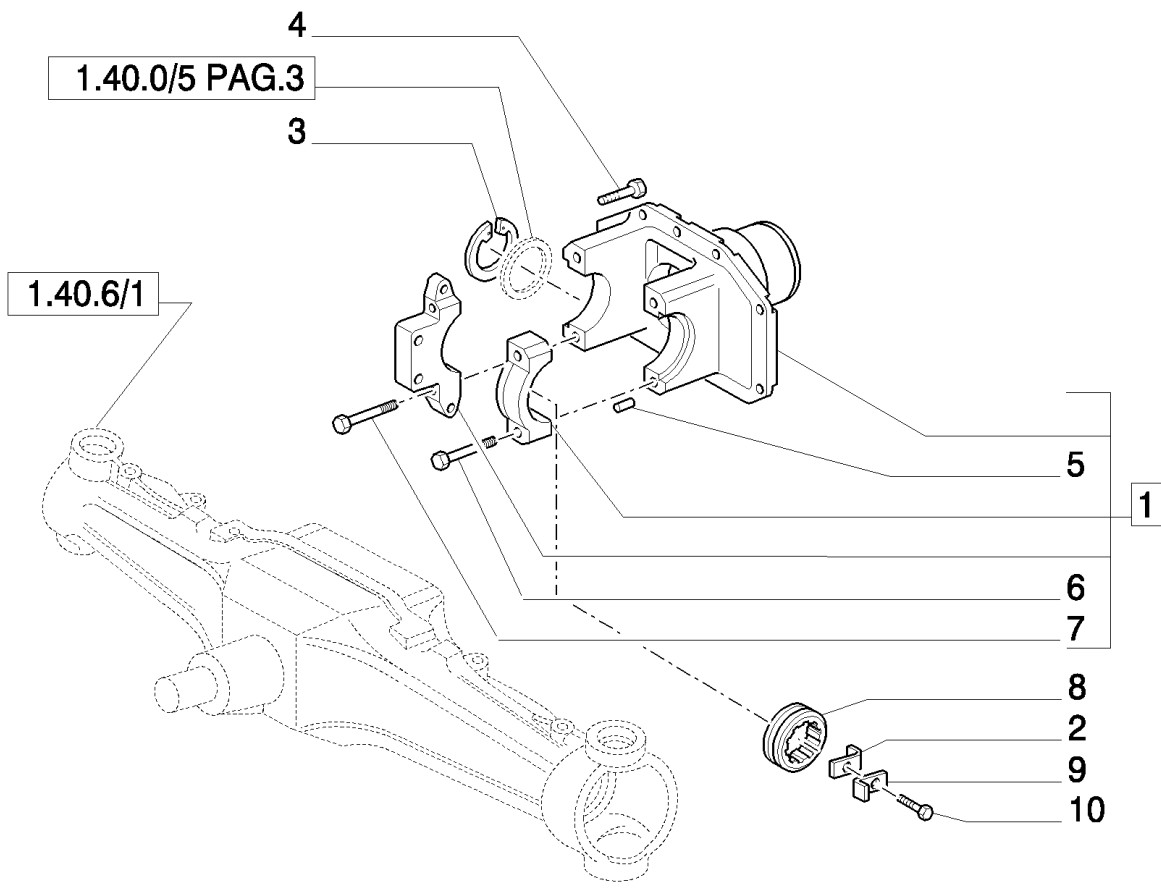
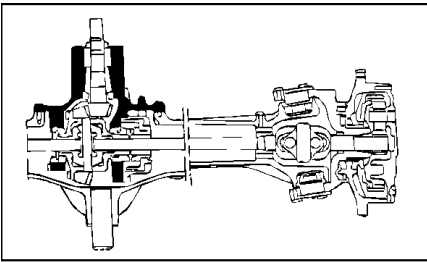
D5196 After Date 18 July 2005 □□D5201 After Date 01 June 2005□□



MXM155 CASE IH TRACTOR (6/02- )

1.40.6/04 (VAR.463) 4WD FRONT AXLE WITH SUSPENSIONS, FULL POWER SHIFT - TIE-ROD

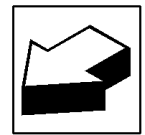
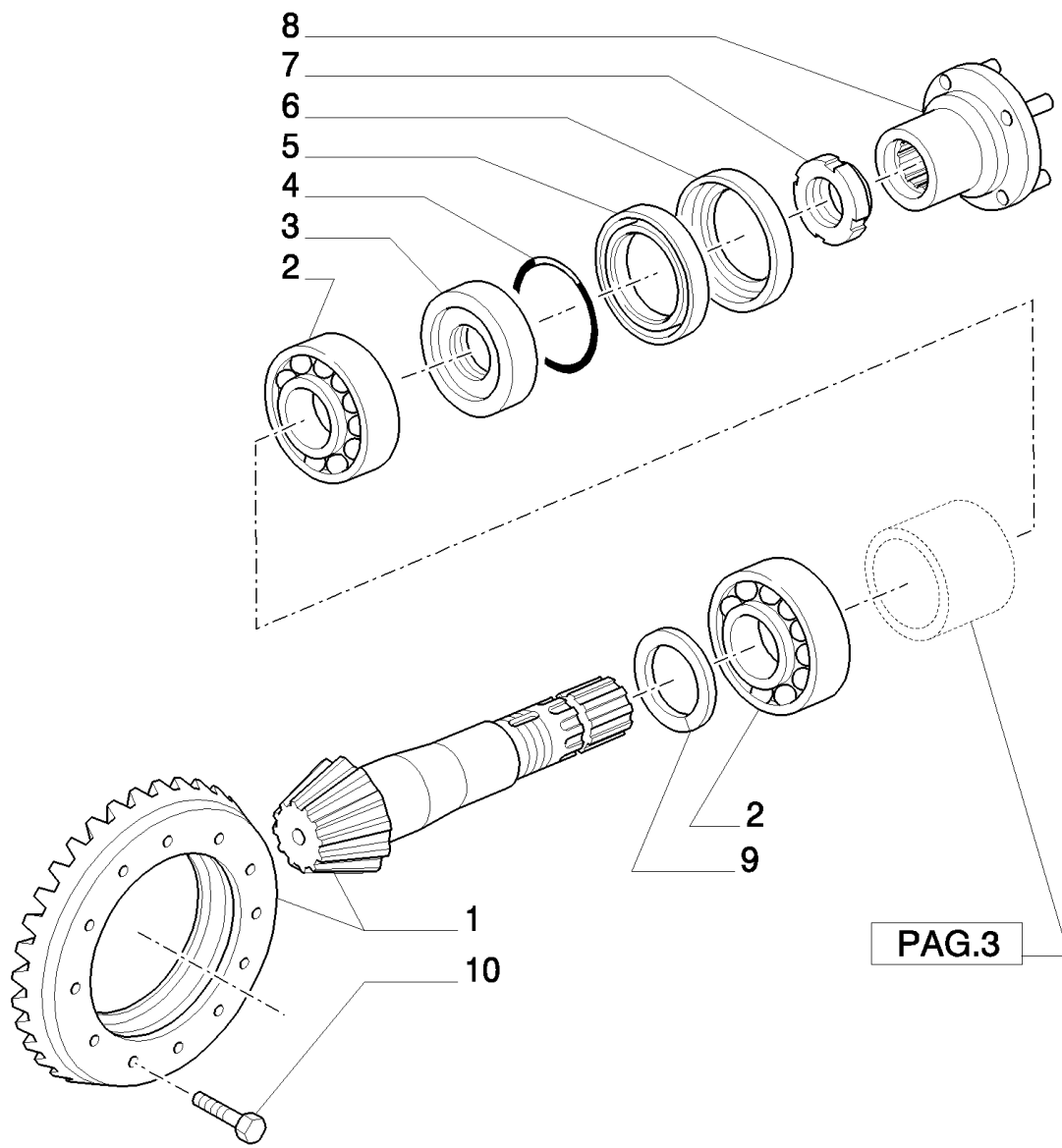
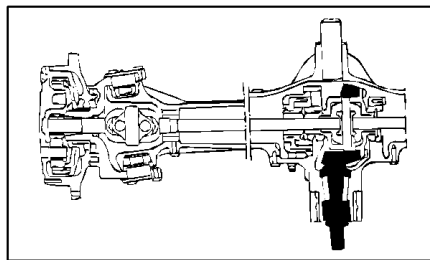
сылка	Номер детали	Кол-во	Описание
1	5177449	1	TRACK ROD ASSY,
2	10726911	1	NUT, Thin, M24 x 1.5, CI 04,
3	5117314	1	TRACK ROD END, M18 x M24 Threads
4	10733801	2	PIN, SPLIT (COTTER), M4 x 36,
5	10724611	2	NUT, M18 x 1.5
5	12576014	2	NUT, LOCK, M18 x 1.5,



## MXM155 CASE IH TRACTOR (6/02- )

## 1.40.6/05(02) (VAR.463) 4WD FRONT AXLE WITH SUSPENSIONS, FULL POWER SHIFT - SUPPORT

сылка	Номер детали	Кол-во	Описание
1	5190844	1	SUPPORT,
2	4966243	1	CLIP,
3	11075476	1	RING, SNAP, M110, Int,
4	16217734	16	BOLT, Hex, M16 x 50,
4	14360524	4	SCREW, Hex Soc Hd, M12 x 1.25 x 20, 8.8,
5	4966530	4	DOWEL, M6 x 18
6	14255330	2	SCREW, M14 x 1.5 x 75
7	14255731	2	BOLT, Hex, M14 x 1.5 x 90,
8	5110423	1	NUT, RING, M115 x 15
9	562659	1	PLATE,
10	15970524	1	BOLT, Hex, M10 x 1.25 x 20, 8.8, Full Thd,

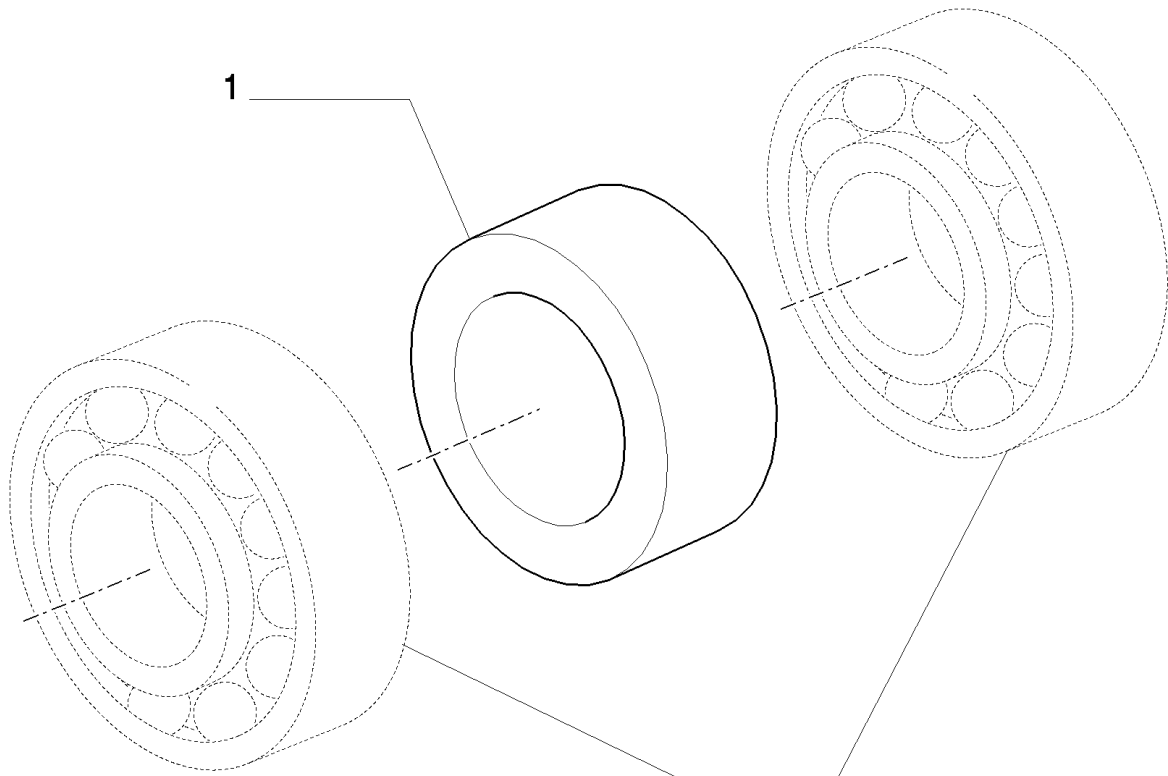
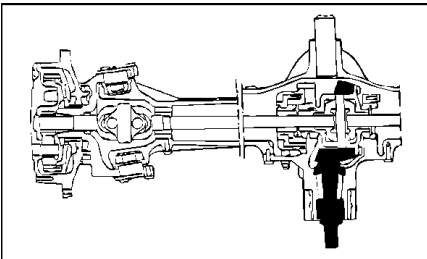


## MXM155 CASE IH TRACTOR (6/02- )

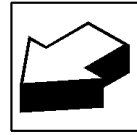
## 1.40.6/06(02) (VAR.463) 4WD FRONT AXLE WITH SUSPENSIONS, FULL POWER SHIFT - BEVEL GEAR PAIR

сылка	Номер детали	Кол-во	Описание
1	5179445	1	GEAR SET, Ring & Pinion, Ratio 10/34
2	5141714	2	BEARING, ROLLER, TAPERED, 45 x 100 x 38.25
3	5179417	1	RING,
4	14459080	1	O-RING, -131, 70 Duro, 1.737" ID x .103" Thk,
5	5119262	1	SEAL, 80 x 110 x 12
6	5179995	1	CUP,
7	5111953	1	NUT, M24 x 20
8	5190345	1	FLANGE,
9	7888012	AR	RING, 45.1 x 58 x 0.5 mm
9	5121690	AR	RING, M45.1 x 58 x 2.3,
9	5121691	AR	RING, M45.1 x 58 x 2.4,
9	4999063	AR	RING, M45.1 x 58 x 2.5,
9	4999064	AR	RING, M45.1 x 58 x 2.6 ,
9	4999065	AR	RING, M45.1 x 58 x 2.7 ,
9	4999066	AR	RING, M45.1 x 58 x 2.8,
9	4999067	AR	RING, M45.1 x 58 x 2.9 ,
10	14274631	12	BOLT, Hex, M12 x 1.25 x 35,





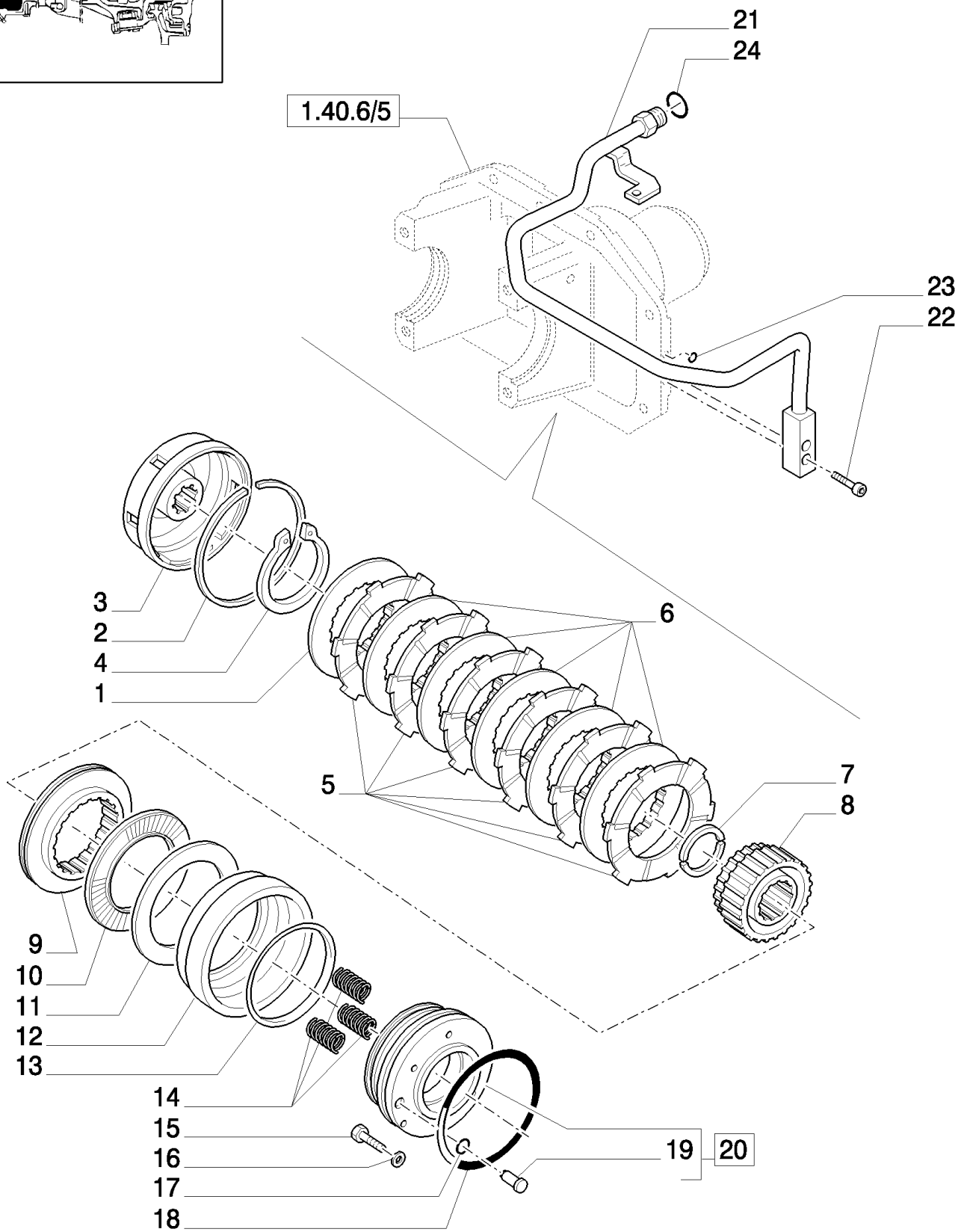
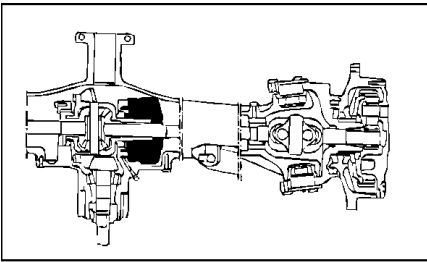
PAG.2



## MXM155 CASE IH TRACTOR (6/02- )

## 1.40.6/06(03) (VAR.463) 4WD FRONT AXLE WITH SUSPENSIONS, FULL POWER SHIFT - BEVEL GEAR PAIR

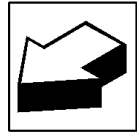
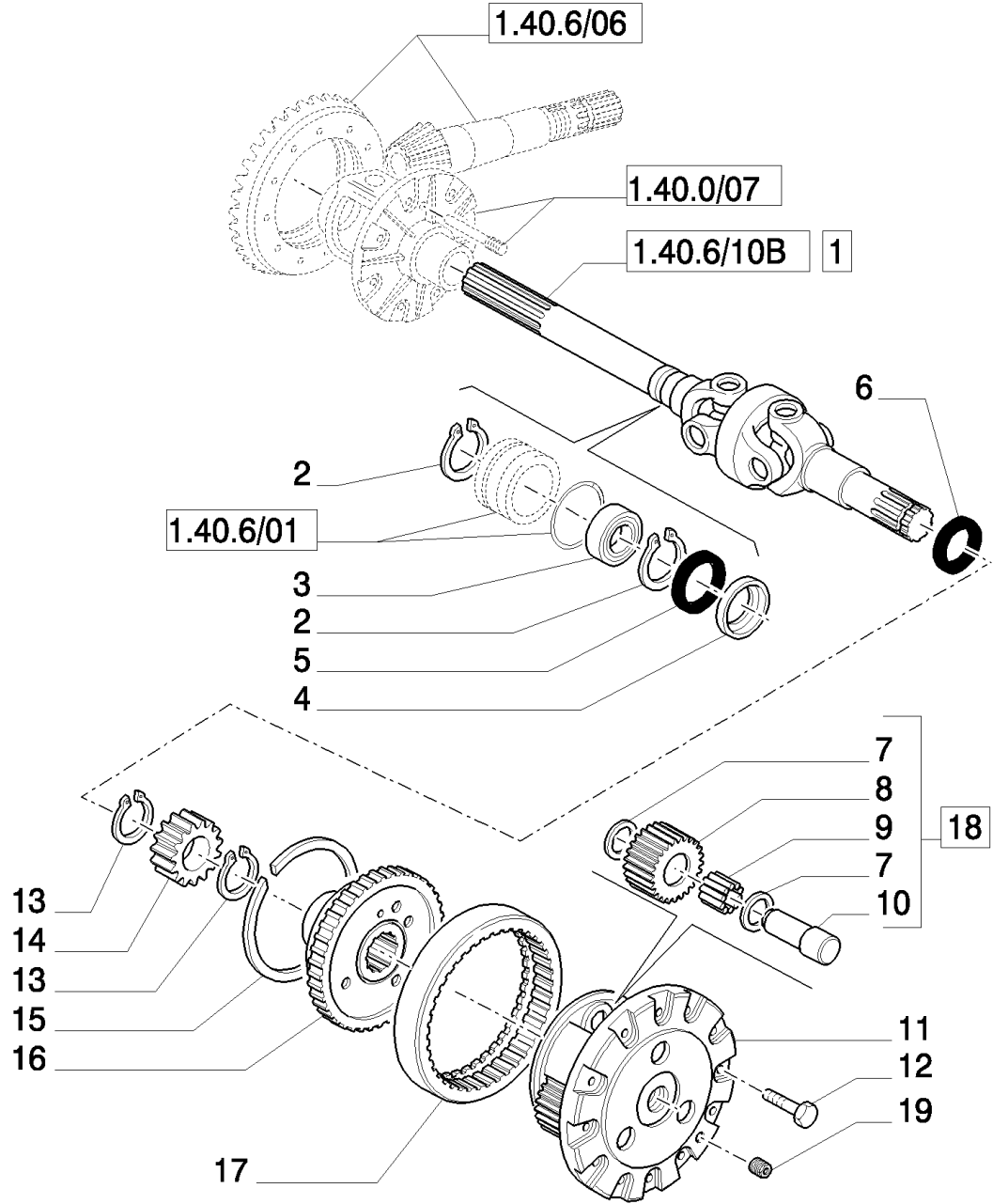
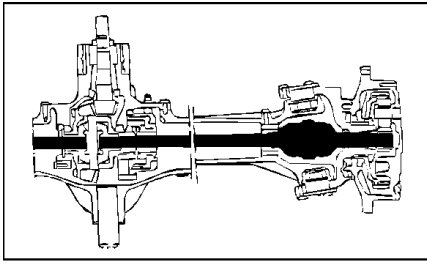
сылка	Номер детали	Кол-во	Описание
1	5179957	AR	SHIM, 19.400mm Thk,
1	5179959	AR	SHIM, 19.425mm Thk,
1	5179960	AR	SHIM, 19.450mm Thk,
1	5179961	AR	SHIM, 19.475mm Thk,
1	5179962	AR	SHIM, 19.500mm Thk,
1	5179963	AR	SHIM, 19.525mm Thk,
1	5179964	AR	SHIM, 19.550mm Thk,
1	5179965	AR	SHIM, 19.575mm Thk,
1	5179966	AR	SHIM, 19.600mm Thk,
1	5179967	AR	SHIM, 19.625mm Thk,
1	5179968	AR	SHIM, 19.650mm Thk,
1	5179969	AR	SHIM, 19.675mm Thk,
1	5179970	AR	SHIM, 19.700mm Thk,
1	5179971	AR	SHIM, 19.725mm Thk,
1	5179972	AR	SHIM, 19.750mm Thk,
1	5179973	AR	SHIM, 19.775mm Thk,
1	5179974	AR	SHIM, 19.800mm Thk,
1	5179975	AR	SHIM, 19.825mm Thk,
1	5179976	AR	SHIM, 19.850mm Thk,
1	5179977	AR	SHIM, 19.875mm Thk,
1	5179978	AR	SHIM, 19.900mm Thk,
1	5179979	AR	SHIM, 19.925mm Thk,
1	5179980	AR	SHIM, 19.950mm Thk,
1	5179981	AR	SHIM, 19.975mm Thk,
1	5179982	AR	SHIM, 20.000mm Thk,
1	5179983	AR	SHIM, 20.025mm Thk,
1	5179984	AR	SHIM, 20.050mm Thk,
1	5179985	AR	SHIM, 20.075mm Thk,
1	5179986	AR	SHIM, 20.100mm Thk,
1	5179987	AR	SHIM, 20.125mm Thk,
1	5179988	AR	SHIM, 20.150mm Thk,
1	5179989	AR	SHIM, 20.175mm Thk,
1	5179990	AR	SHIM, 20.200mm Thk,
1	5179991	AR	SHIM, 20.225mm Thk,
1	5179992	AR	SHIM, 20.250mm Thk,
1	5179993	AR	SHIM, 20.275mm Thk,
1	5179994	AR	SHIM, 20.300mm Thk,



## MXM155 CASE IH TRACTOR (6/02- )

## 1.40.6/09(02) (VAR.463) 4WD FRONT AXLE WITH SUSPENSIONS, FULL POWER SHIFT - HYDRAULIC DIFFERENTIAL LOCK

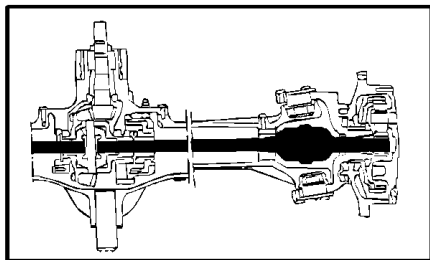
сылка	Номер детали	Кол-во	Описание
1	5141750	1	CLUTCH, PLATE,
2	5134095	1	RING, LOCKING, D=200
3	5134083	1	HOUSING,
4	11083176	1	RING, SNAP, M125, Ext,
5	5198090	6	CLUTCH, PLATE,
6	5198088	5	CLUTCH, PLATE,
7	5135032	1	HALF-RING,
8	5134099	1	HUB,
9	5144582	1	DISC,
10	5134174	1	BEARING, ROLLER,
11	5134175	1	WASHER, THRUST, 140 x 180 x 1
12	5134093	1	PLUNGER,
13	5140120	1	O-RING, 2.62 x 145.72
14	5120761	3	SPRING,
15	14306524	5	SCREW, Hex Soc Hd, M8 x 30, 8.8,
16	10569374	5	WASHER, LOCK, M8
17	14452881	1	O-RING, -011, CI 7, .301" ID x .070" Thk, (M7.65 ID x 1.78 Thk)
18	5140121	1	O-RING, 2.62 x 171.12
19	5148467	1	PIN,
20	5148468	1	FLANGE,
21	5188462	1	TUBE,
22	14306321	1	SCREW, Hex Soc Hd, M8 x 20, 8.8,
23	14453081	1	O-RING, -013, CI 7, .426" ID x .070" Thk, (M10.82 ID x 1.78 Thk)
24	5185510	1	O-RING, M9.25 ID x 1.78 Thk



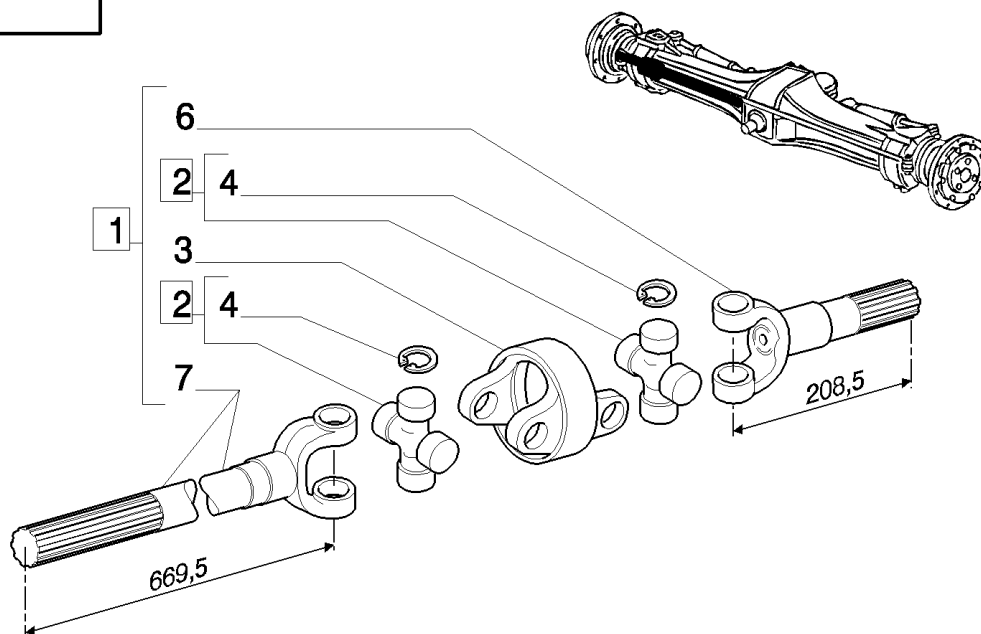
## MXM155 CASE IH TRACTOR (6/02- )

## 1.40.6/10(02) (VAR.463) 4WD FRONT AXLE WITH SUSPENSIONS, FULL POWER SHIFT - GEARS AND DIFFERENTIAL SHAFT AXL

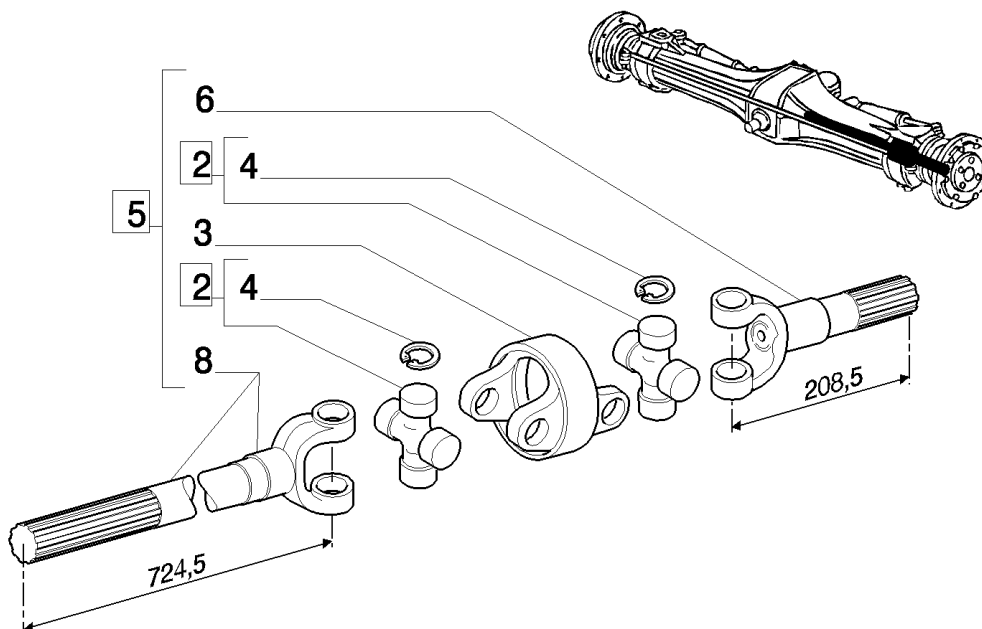
сылка	Номер детали	Кол-во	Описание
1	5174473	1	AXLE-SHAFT, ARTICULATED, LH
1	5174475	1	AXLE-SHAFT, ARTICULATED, RH
2	11061376	4	RING, SNAP, M68, Int,
3	28042480	2	BEARING, BALL, 40 x 68 x 15
4	5109311	2	SEAL PROTECTION,
5	5105948	2	SEAL, 45 x 68 x 12
6	5183845	1	SEAL,
7	4998022	12	WASHER, THRUST,
8	5102132	6	PINION, IDLER,
9	5101692	6	BEARING, NEEDLE, 31.8 x 41.9 x 35.5
10	5181056	6	PIN,
11	5181054	2	CARRIER,
12	14274631	24	BOLT, Hex, M12 x 1.25 x 35,
13	5123651	6	RING,
14	5136819	2	GEAR, PLANETARY,
15	4986355	2	RING,
16	5141691	2	DISC,
17	5102130	2	GEAR, RING,
18	5181054	2	CARRIER,
19	14326211	2	PLUG, Magnetic



### FOR RIGHT WHEEL



### FOR LEFT WHEEL

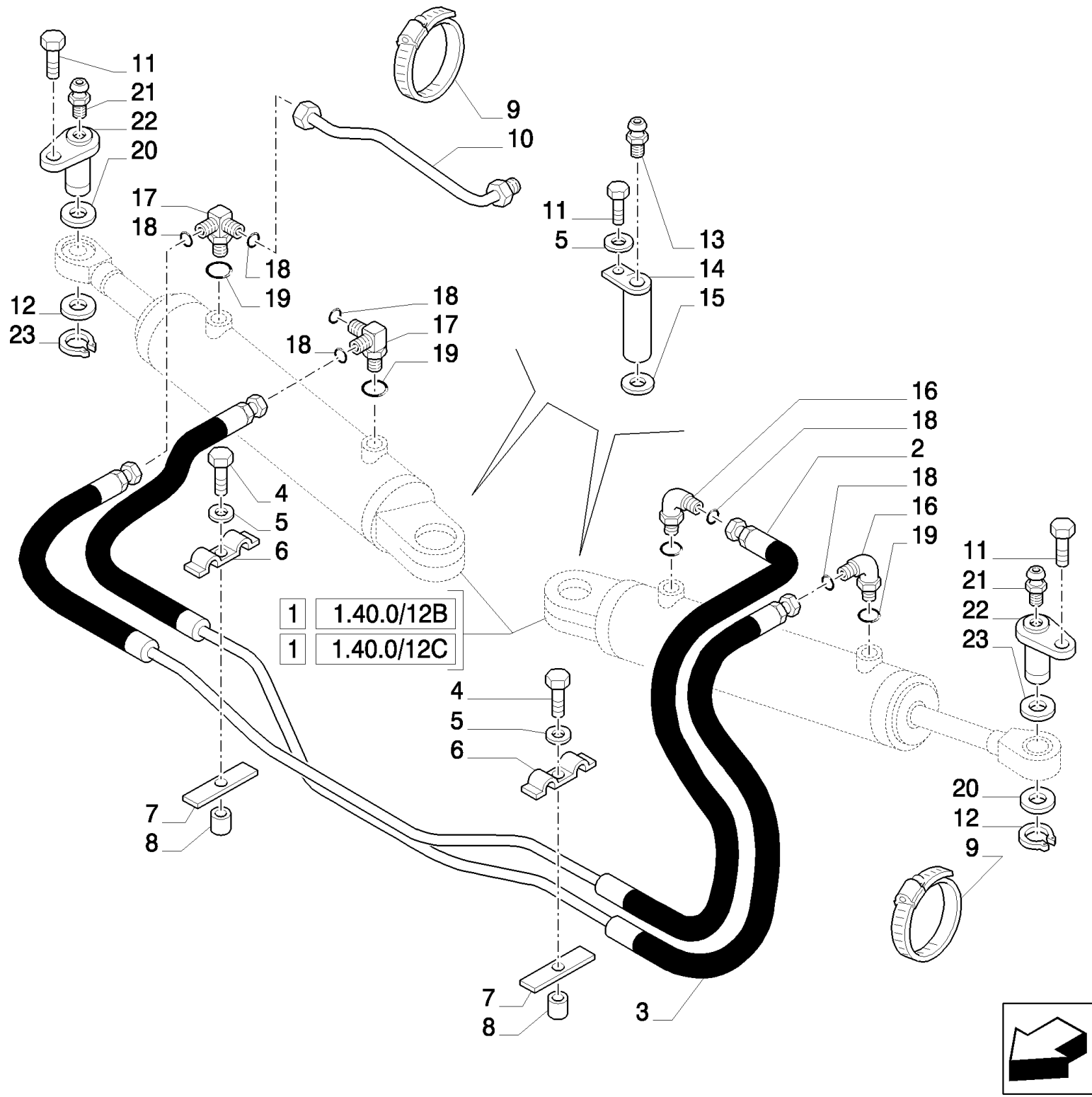
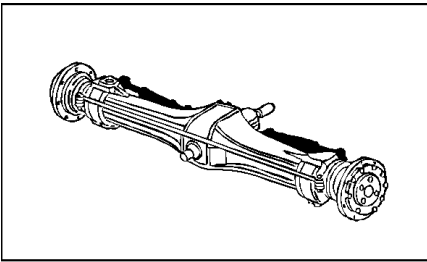


MXM155 CASE IH TRACTOR (6/02- )

1.40.6/10B (VAR.463) 4WD FRONT AXLE WITH SUSPENSIONS, FULL POWER SHIFT - ARTICULATED HALF-AXLE

сылка	Номер детали	Кол-во	Описание
1	5174475	1	AXLE-SHAFT, ARTICULATED, Assy, RH
2	5191482	2	SPIDER,
3	5191485	1	YOKE,
4	5191483	8	RING, LOCKING,
5	5174473	1	AXLE-SHAFT, ARTICULATED, Assy, LH
6	5191484	1	SHAFT, Outer, Short
7	5191486	1	SHAFT, Inner, Long, RH
8	5191487	1	SHAFT, Inner, Long, LH

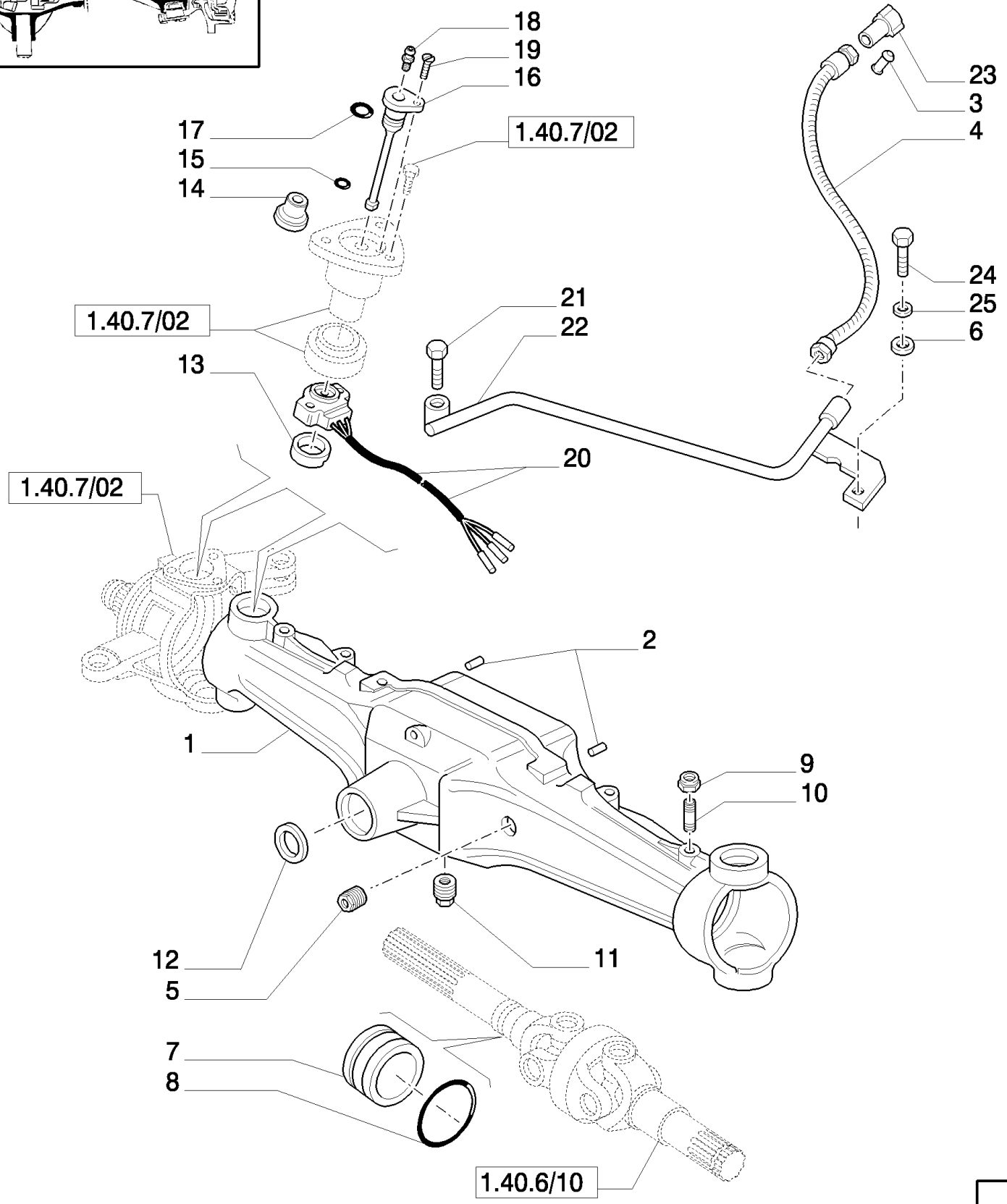
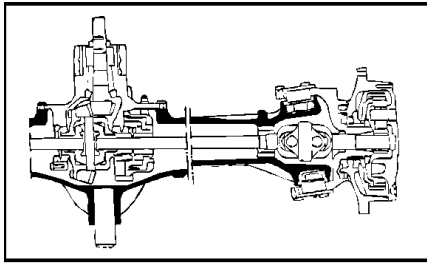




## MXM155 CASE IH TRACTOR (6/02- )

## 1.40.6/12 (VAR.463) 4WD FRONT AXLE WITH SUSPENSIONS, FULL POWER SHIFT - POWER STEERING CYLINDER

сылка	Номер детали	Кол-во	Описание
1	5164022	2	CYLINDER STEERING, MXM120, MXM130, MXM140, MXM155
1	5198883	2	CYLINDER STEERING, MXM175, MXM190
2	5188440	1	HOSE, FLEXIBLE, RH
3	5188439	1	HOSE, FLEXIBLE, LH
4	16043824	3	BOLT, Hex, M8 x 30, 8.8, Full Thd,
5	11193874	4	WASHER, SPRING, Belleville, M8.4,
6	5188504	2	BRACKET,
7	5188503	2	BRACKET,
8	13605811	2	SPACER, M8.5 x 18 x 10,
9	13000990	2	CLAMP, HOSE, D=60-80
10	5188452	1	TUBE, HYD,
11	16043424	3	SCREW, Hex, M8 x 20, 8.8, Full Thd,
12	11067376	2	RING, SNAP, M25, Ext,
13	5191671	2	NIPPLE, LUBE, 45с, M14 x 1.5,
14	5198013	2	PIN,
15	5111576	2	SPACER, M25.5 x 34 x 11,
16	47127165	2	ELBOW, 11/16"-16, M14 x 1.5
17	5188443	2	CONNECTOR, HYD.,
18	5185510	6	O-RING, M9.25 ID x 1.78 Thk
19	14437785	4	O-RING, 11.3MM ID x 2.4 Thk,
20	5111573	4	WASHER, LOCK, 25.5 x 34
21	87414	2	NIPPLE, LUBE, 1/4"-28 x .56" lg, Drive,
22	5171707	2	PIN,

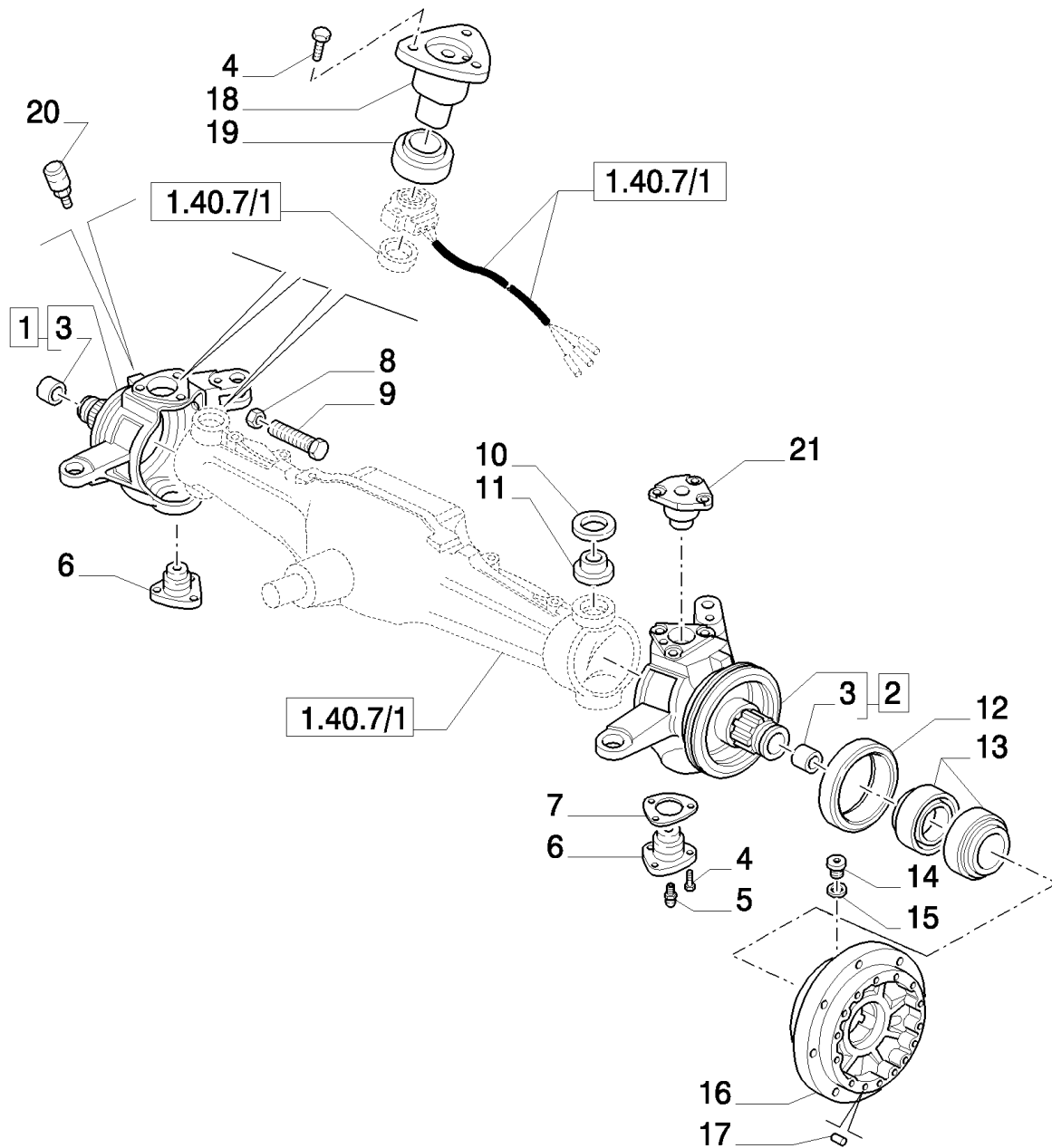
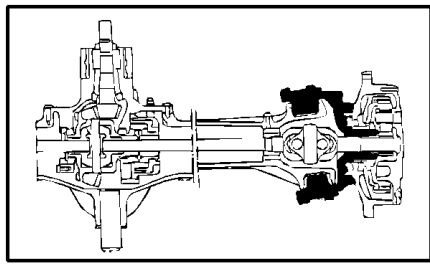


## MXM155 CASE IH TRACTOR (6/02- )

1.40.7/01 (VAR.463/1) 4WD FRONT AXLE WITH SUSPENSIONS, BRAKE, TERRALOCK, FPS - BOX

сылка	Номер детали	Кол-во	Описание
1	47136868	1	HOUSING, AXLE, , -C5196
1	87307363	1	HOUSING, AXLE, , D5196-
2	5174376	2	DOWEL, M16 x 30
3	82918419	1	PLUG,
4	82016109	1	SHEATH, FLEXIBLE,
5	14324411	1	PLUG,
6	10519604	1	WASHER, M8 x 17 x 2,
7	5184555	2	SLEEVE, MXM120, MXM130, MXM140, -C5338
7	87518052	2	SLEEVE, MXM120, MXM130, MXM140, D5338-
7	5134277	2	SLEEVE, MXM155, MXM175, MXM190, -C5243
7	87371236	2	BUSHING, MXM155, MXM175, MXM190, D5243-
8	14461180	2	O-RING, -153, 70 Duro, 3.487" ID x .103" Thk, , -C5243
8	14465680	2	O-RING, -238, 70 Duro, 3.484" ID x .139" Thk, , D5243-
9	16101524	2	NUT, M12 x 1.25, CI 10,
10	87316865	2	SCREW,
11	14326211	1	PLUG, Magnetic
12	5140888	1	RING,
13	5168958	1	SUPPORT, , -C5196
14	5175211	1	SLEEVE, , -C5196
15	14452780	1	O-RING, -010, 70 Duro, .239" ID x .070" Thk, , -C5196
16	5178653	1	PIN, , -C5196
17	5135732	1	O-RING, -013, CI 9, .426" ID x .070" Thk, , -C5196
18	87414	1	NIPPLE, LUBE, 1/4"-28 x .56" lg, Drive, , -C5196
19	10384911	1	SCREW, M5 x 12, -C5196
20	82019691	1	SENSOR, Steering Angle, -C5196
21	15540824	1	BOLT, Hex, M12 x 1.25 x 50, 8.8,
22	5191224	1	TUBE,
23	82918426	1	CONNECTOR, ELEC, Incl. 3
24	16043424	1	SCREW, Hex, M8 x 20, 8.8, Full Thd,
25	11193874	1	WASHER, SPRING, Belleville, M8.4,

D5196 After Date 18 July 2005 D5243 After Date 19 September 2006 D5338 Afer Date 02 February 2006

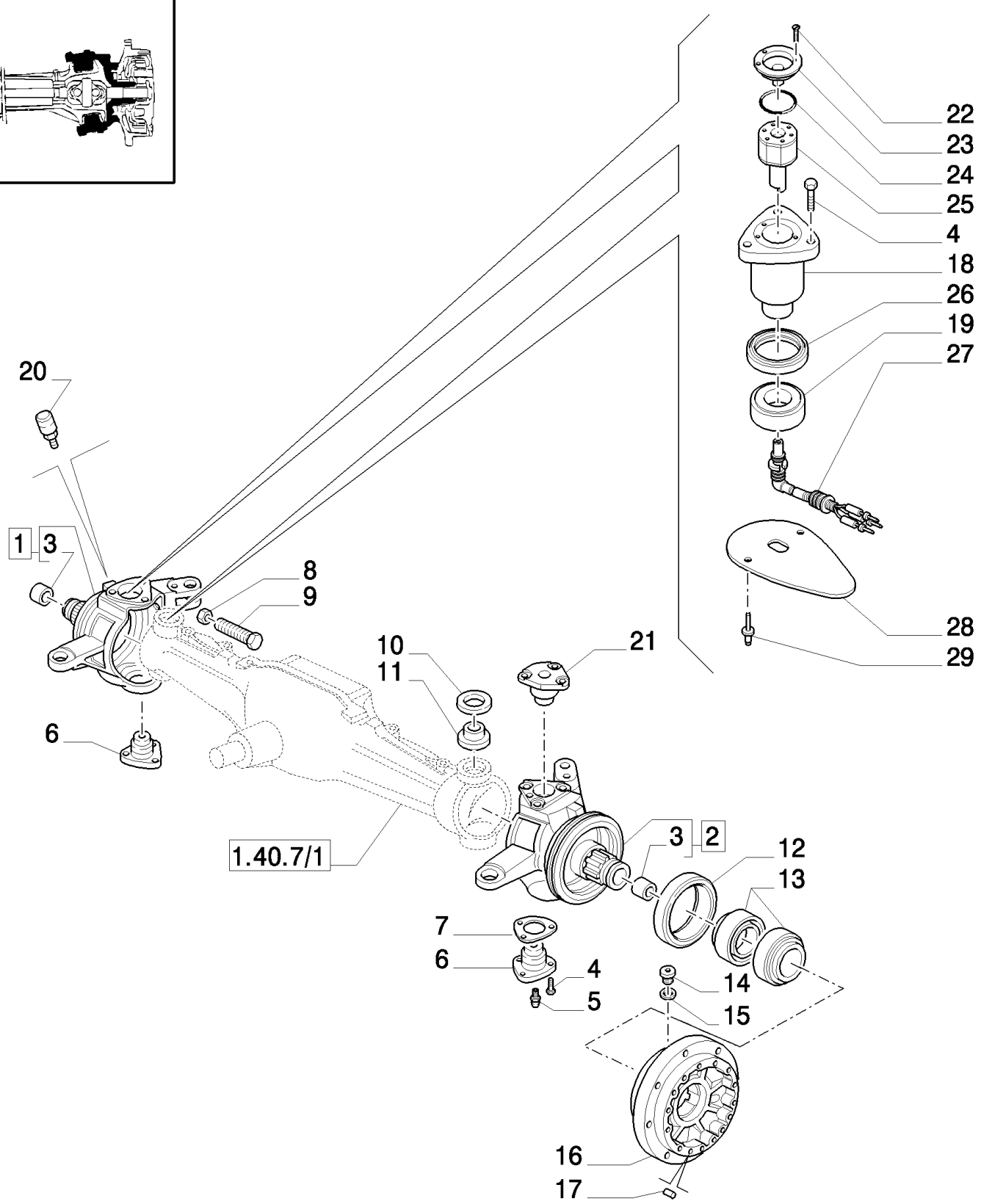
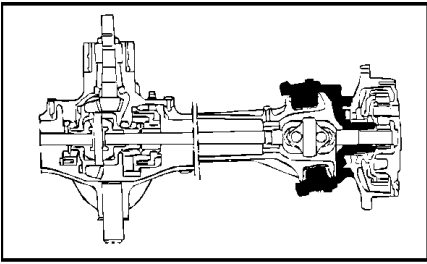


## MXM155 CASE IH TRACTOR (6/02- )

1.40.7/02(02) (VAR.463/1) 4WD FRONT AXLE WITH SUSPENSIONS, BRAKE, TERRALOCK, FPS - STEERING PIVOT PINS - C5196

сылка	Номер детали	Кол-во	Описание
1	5182002	1	STUB AXLE/STRG.SPINDLE, RH, MXM155
1	5198876	1	STUB AXLE/STRG.SPINDLE, RH, MXM175, MXM190
2	5182000	1	STUB AXLE/STRG.SPINDLE, LH, MXM155
2	5198874	1	KNUCKLE, STEERING, LH, MXM175, MXM190
3	5105321	2	BUSHING, 45 x 50 x 30
4	14254431	6	BOLT, Hex, M14 x 1.5 x 30,
4	14254534	6	BOLT, Hex, M14 x 1.5 x 35,
5	5120532	2	NIPPLE, LUBE, M14 x 1.5,
5	5191671	1	NIPPLE, LUBE, 45c, M14 x 1.5,
6	5137138	2	PIN, BALL,
7	5137114	AR	SHIM, .10mm Thk,
7	5137115	AR	SHIM, .15mm Thk,
8	10717611	2	NUT, Thin, M18 x 2.5, CI 04,
9	5179447	2	SCREW, M18 x 120
10	5121907	4	SEAL,
11	5119660	3	BALL JOINT,
12	5178141	2	SEAL, 190 x 220 x 14.5-18
13	5178845	4	BEARING, ROLLER, TAPERED,
14	10278301	2	PLUG, M28 x 1.5 x 11, Brass,
15	10282260	2	WASHER, SEALING, M28.4 x 36 x 1.5, Copper,
16	5182020	2	HUB,
17	4985063	2	DOWEL,
18	5186029	1	PIN,
19	5169911	1	BALL JOINT, 80mm ID
20	13413290	2	BREATHER,
21	5183085	1	PIN,

C5196 Before Date 18 July 2005



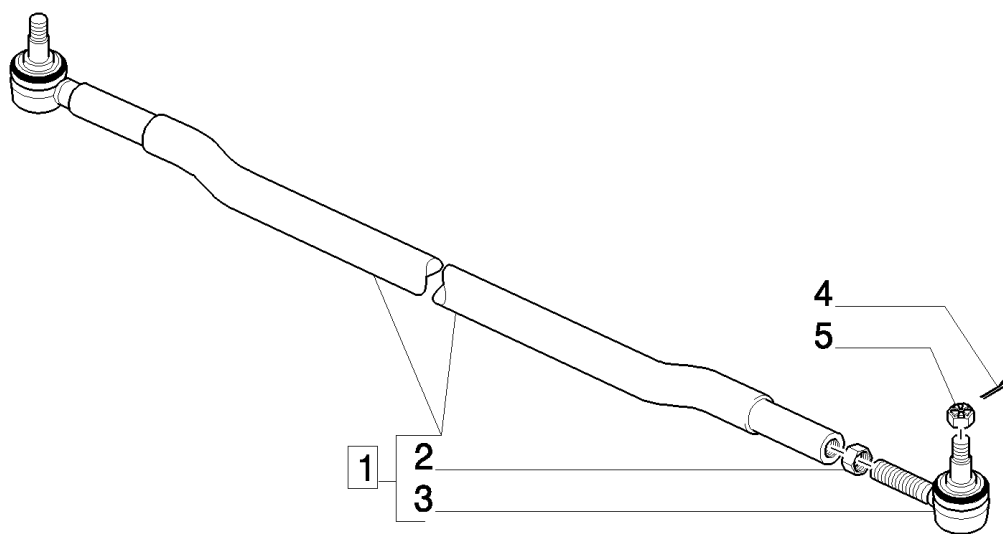
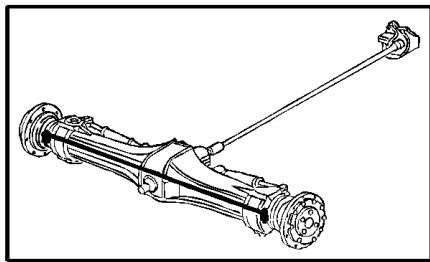
## MXM155 CASE IH TRACTOR (6/02- )

1.40.7/02(02A) (VAR.463/1) 4WD FRONT AXLE WITH SUSPENSIONS, BRAKE, TERRALOCK, FPS - STEERING PIVOT PINS - D519

сылка	Номер детали	Кол-во	Описание
1	5182002	1	STUB AXLE/STRG.SPINDLE, RH, MXM155
1	5198876	1	STUB AXLE/STRG.SPINDLE, RH, MXM175, MXM190
2	5182000	1	STUB AXLE/STRG.SPINDLE, LH, MXM155
2	5198874	1	KNUCKLE, STEERING, LH, MXM175, MXM190
3	5105321	2	BUSHING, 45 x 50 x 30
4	14254431	6	BOLT, Hex, M14 x 1.5 x 30,
4	14254534	6	BOLT, Hex, M14 x 1.5 x 35,
5	5120532	2	NIPPLE, LUBE, M14 x 1.5,
5	5191671	1	NIPPLE, LUBE, 45c, M14 x 1.5,
6	5137138	2	PIN, BALL,
7	5137114	AR	SHIM, .10mm Thk,
7	5137115	AR	SHIM, .15mm Thk,
8	10717611	2	NUT, Thin, M18 x 2.5, CI 04,
9	5179447	2	SCREW, M18 x 120
10	5121907	4	SEAL,
11	5119660	3	BALL JOINT,
12	5178141	2	SEAL, 190 x 220 x 14.5-18
13	87303827	4	BEARING, ROLLER, TAPERED,
14	10278301	2	PLUG, M28 x 1.5 x 11, Brass,
15	10282260	2	WASHER, SEALING, M28.4 x 36 x 1.5, Copper,
16	5182020	2	HUB, , -C5201
16	87341366	2	HUB, , D5201-
17	4985063	2	DOWEL,
18	87309308	1	PIN, BALL,
19	47137676	1	BALL JOINT,
20	13413290	2	BREATHER,
21	5183085	1	PIN,
22	10384911	3	SCREW, M5 x 12
23	87309292	1	PIN,
24	14458280	1	O-RING, -124, 70 Duro, 1.237" ID x .103" Thk,
25	87303761	1	SENSOR, Steering
26	47137701	1	SEAL,
27	87303770	1	CONNECTOR, ELEC,
28	87315098	1	SHIELD,
29	14643091	2	RIVET,

D5196 After Date 18 July 2005 D5201 After Date 01 June 2005

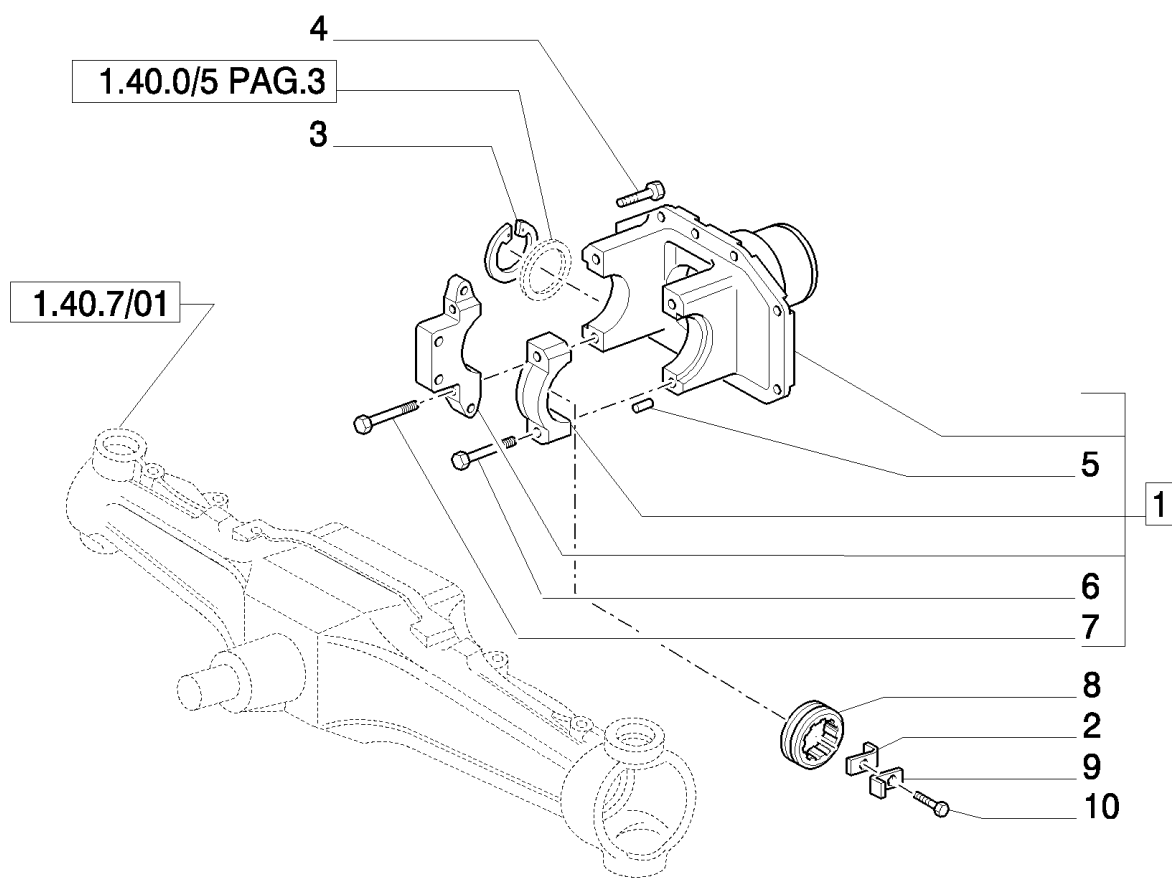
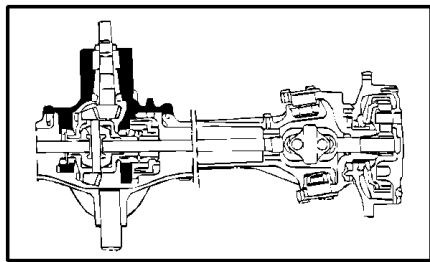




MXM155 CASE IH TRACTOR (6/02- )

1.40.7/04 (VAR.463/1) 4WD FRONT AXLE WITH SUSPENSIONS, BRAKE, TERRALOCK, FPS - TIE-ROD

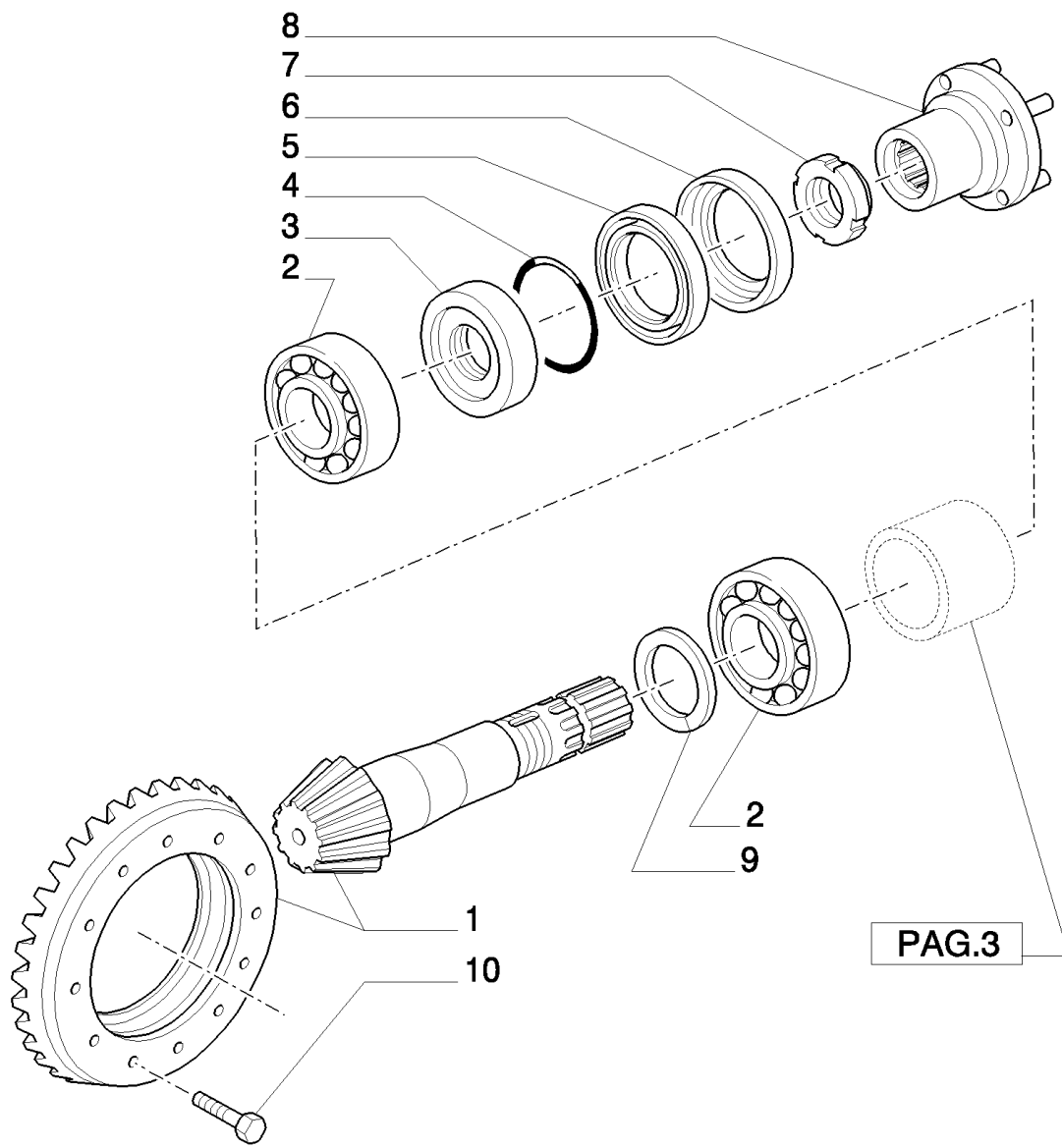
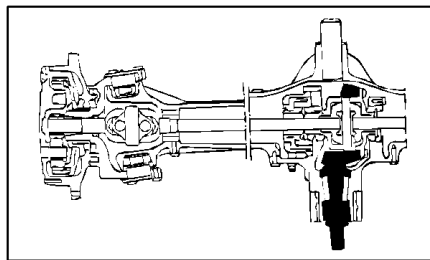
сылка	Номер детали	Кол-во	Описание
1	5177449	1	TRACK ROD ASSY,
2	10726911	1	NUT, Thin, M24 x 1.5, CI 04,
3	5117314	1	TRACK ROD END, M18 x M24 Threads
4	10733801	2	PIN, SPLIT (COTTER), M4 x 36,
5	10724611	2	NUT, M18 x 1.5
5	12576014	2	NUT, LOCK, M18 x 1.5,



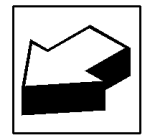
## MXM155 CASE IH TRACTOR (6/02- )

## 1.40.7/05(02) (VAR.463/1) 4WD FRONT AXLE WITH SUSPENSIONS, BRAKE, TERRALOCK, FPS - SUPPORT

сылка	Номер детали	Кол-во	Описание
1	5190844	1	SUPPORT,
2	4966243	1	CLIP,
3	11075476	1	RING, SNAP, M110, Int,
4	16217734	16	BOLT, Hex, M16 x 50,
4	14360524	4	SCREW, Hex Soc Hd, M12 x 1.25 x 20, 8.8,
5	4966530	4	DOWEL, M6 x 18
6	14255330	2	SCREW, M14 x 1.5 x 75
7	14255731	2	BOLT, Hex, M14 x 1.5 x 90,
8	5110423	1	NUT, RING, M115 x 15
9	562659	1	PLATE,
10	15970524	1	BOLT, Hex, M10 x 1.25 x 20, 8.8, Full Thd,



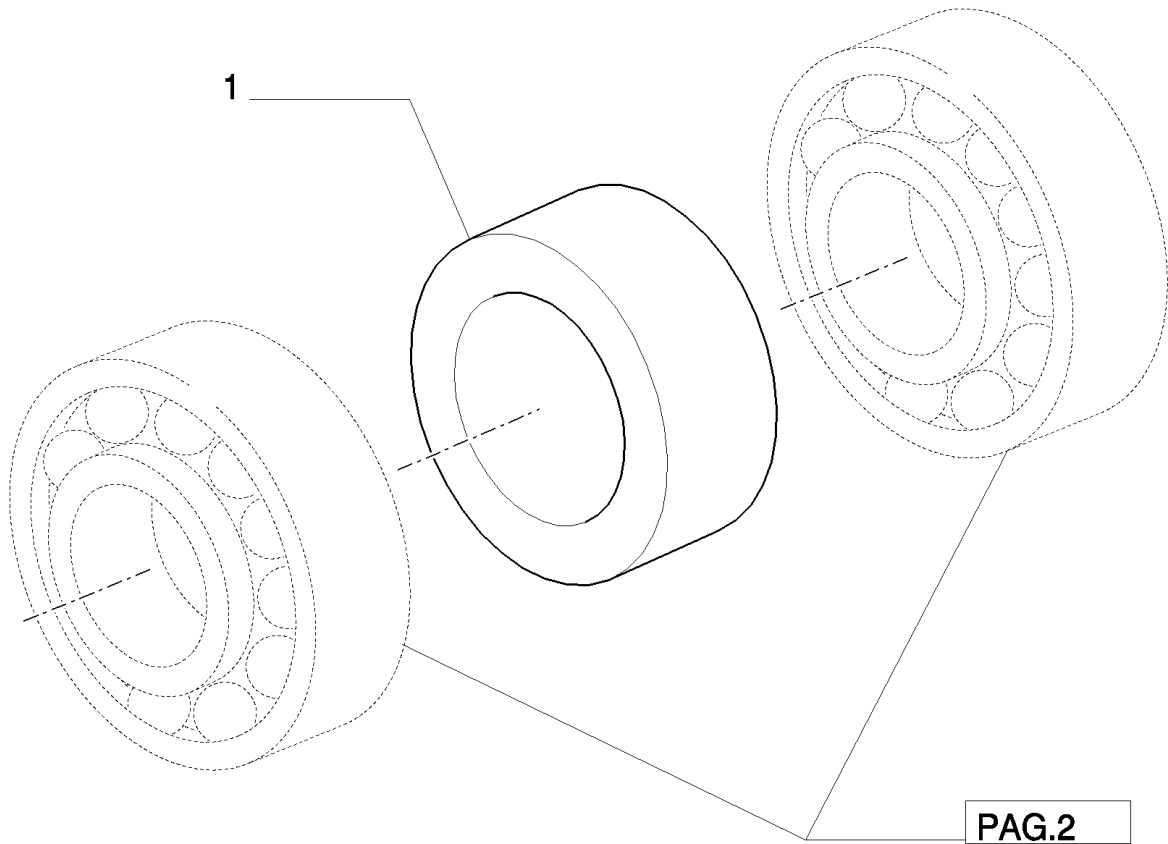
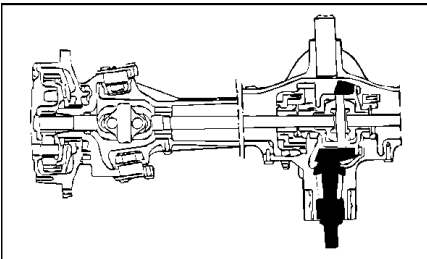
PAG.3



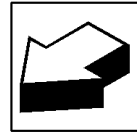
## MXM155 CASE IH TRACTOR (6/02- )

## 1.40.7/06(02) (VAR.463/1) 4WD FRONT AXLE WITH SUSPENSIONS, BRAKE, TERRALOCK, FPS - BEVEL GEAR PAIR

сылка	Номер детали	Кол-во	Описание
1	5179445	1	GEAR SET, Ring & Pinion, Ratio 10/34
2	5141714	2	BEARING, ROLLER, TAPERED, 45 x 100 x 38.25
3	5179417	1	RING,
4	14459080	1	O-RING, -131, 70 Duro, 1.737" ID x .103" Thk,
5	5119262	1	SEAL, 80 x 110 x 12
6	5179995	1	CUP,
7	5111953	1	NUT, M24 x 20
8	5190345	1	FLANGE,
9	7888012	AR	RING, 45.1 x 58 x 0.5 mm
9	5121690	AR	RING, M45.1 x 58 x 2.3,
9	5121691	AR	RING, M45.1 x 58 x 2.4,
9	4999063	AR	RING, M45.1 x 58 x 2.5,
9	4999064	AR	RING, M45.1 x 58 x 2.6 ,
9	4999065	AR	RING, M45.1 x 58 x 2.7 ,
9	4999066	AR	RING, M45.1 x 58 x 2.8,
9	4999067	AR	RING, M45.1 x 58 x 2.9 ,
10	14274631	12	BOLT, Hex, M12 x 1.25 x 35,



PAG.2

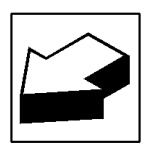
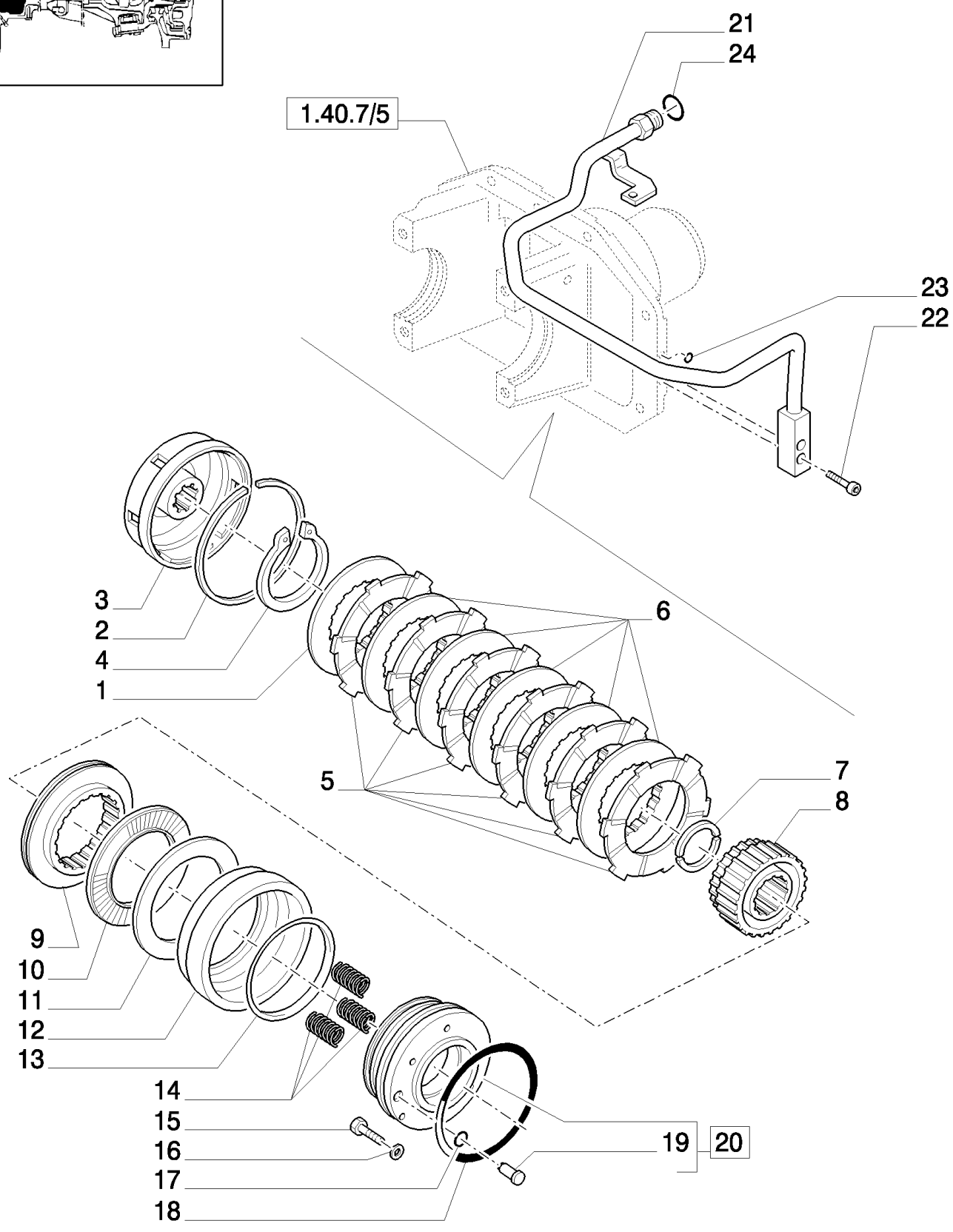
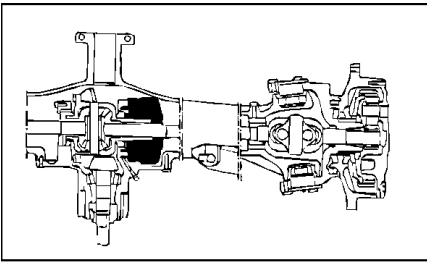


## MXM155 CASE IH TRACTOR (6/02- )

## 1.40.7/06(03) (VAR.463/1) 4WD FRONT AXLE WITH SUSPENSIONS, BRAKE, TERRALOCK, FPS - BEVEL GEAR PAIR

сылка	Номер детали	Кол-во	Описание
1	5179957	AR	SHIM, 19.400mm Thk,
1	5179959	AR	SHIM, 19.425mm Thk,
1	5179960	AR	SHIM, 19.450mm Thk,
1	5179961	AR	SHIM, 19.475mm Thk,
1	5179962	AR	SHIM, 19.500mm Thk,
1	5179963	AR	SHIM, 19.525mm Thk,
1	5179964	AR	SHIM, 19.550mm Thk,
1	5179965	AR	SHIM, 19.575mm Thk,
1	5179966	AR	SHIM, 19.600mm Thk,
1	5179967	AR	SHIM, 19.625mm Thk,
1	5179968	AR	SHIM, 19.650mm Thk,
1	5179969	AR	SHIM, 19.675mm Thk,
1	5179970	AR	SHIM, 19.700mm Thk,
1	5179971	AR	SHIM, 19.725mm Thk,
1	5179972	AR	SHIM, 19.750mm Thk,
1	5179973	AR	SHIM, 19.775mm Thk,
1	5179974	AR	SHIM, 19.800mm Thk,
1	5179975	AR	SHIM, 19.825mm Thk,
1	5179976	AR	SHIM, 19.850mm Thk,
1	5179977	AR	SHIM, 19.875mm Thk,
1	5179978	AR	SHIM, 19.900mm Thk,
1	5179979	AR	SHIM, 19.925mm Thk,
1	5179980	AR	SHIM, 19.950mm Thk,
1	5179981	AR	SHIM, 19.975mm Thk,
1	5179982	AR	SHIM, 20.000mm Thk,
1	5179983	AR	SHIM, 20.025mm Thk,
1	5179984	AR	SHIM, 20.050mm Thk,
1	5179985	AR	SHIM, 20.075mm Thk,
1	5179986	AR	SHIM, 20.100mm Thk,
1	5179987	AR	SHIM, 20.125mm Thk,
1	5179988	AR	SHIM, 20.150mm Thk,
1	5179989	AR	SHIM, 20.175mm Thk,
1	5179990	AR	SHIM, 20.200mm Thk,
1	5179991	AR	SHIM, 20.225mm Thk,
1	5179992	AR	SHIM, 20.250mm Thk,
1	5179993	AR	SHIM, 20.275mm Thk,
1	5179994	AR	SHIM, 20.300mm Thk,

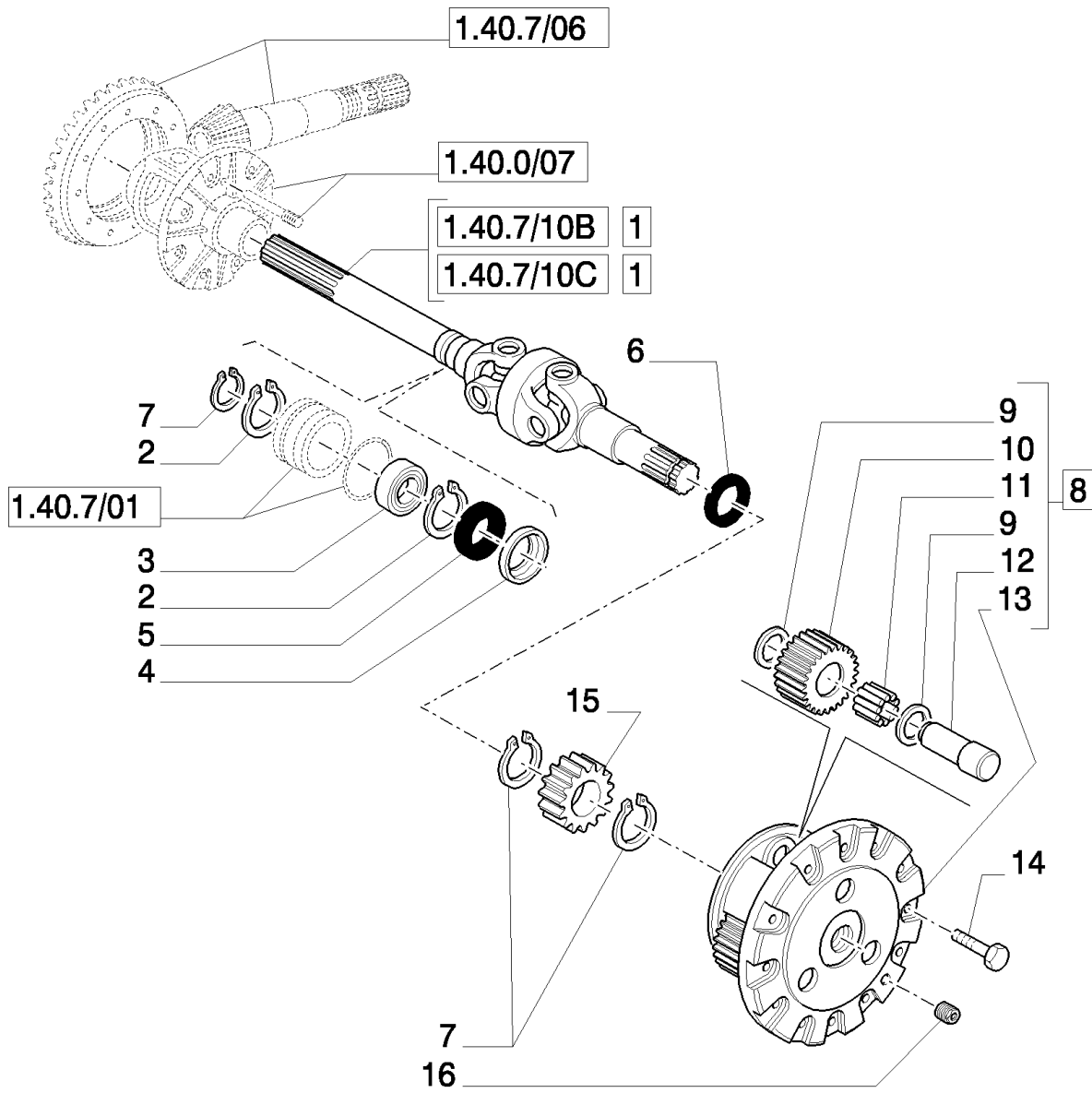
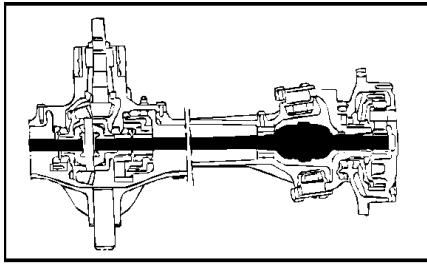




## MXM155 CASE IH TRACTOR (6/02- )

1.40.7/09(02) (VAR.463/1) 4WD FRONT AXLE WITH SUSPENSIONS, BRAKE, TERRALOCK, FPS - HYDRAULIC DIFFERENTIAL LOCK

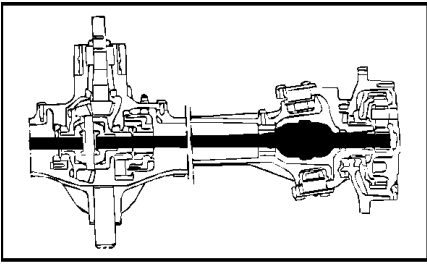
сылка	Номер детали	Кол-во	Описание
1	5141750	1	CLUTCH, PLATE,
2	5134095	1	RING, LOCKING, D=200
3	5134083	1	HOUSING,
4	11083176	1	RING, SNAP, M125, Ext,
5	5198090	6	CLUTCH, PLATE,
6	5198088	5	CLUTCH, PLATE,
7	5135032	1	HALF-RING,
8	5134099	1	HUB,
9	5144582	1	DISC,
10	5134174	1	BEARING, ROLLER,
11	5134175	1	WASHER, THRUST, 140 x 180 x 1
12	5134093	1	PLUNGER,
13	5140120	1	O-RING, 2.62 x 145.72
14	5120761	3	SPRING,
15	14306524	5	SCREW, Hex Soc Hd, M8 x 30, 8.8,
16	10569374	5	WASHER, LOCK, M8
17	14452881	1	O-RING, -011, CI 7, .301" ID x .070" Thk, (M7.65 ID x 1.78 Thk)
18	5140121	1	O-RING, 2.62 x 171.12
19	5148467	1	PIN,
20	5148468	1	FLANGE,
21	5188462	1	TUBE,
22	14306321	1	SCREW, Hex Soc Hd, M8 x 20, 8.8,
23	14453081	1	O-RING, -013, CI 7, .426" ID x .070" Thk, (M10.82 ID x 1.78 Thk)
24	5185510	1	O-RING, M9.25 ID x 1.78 Thk



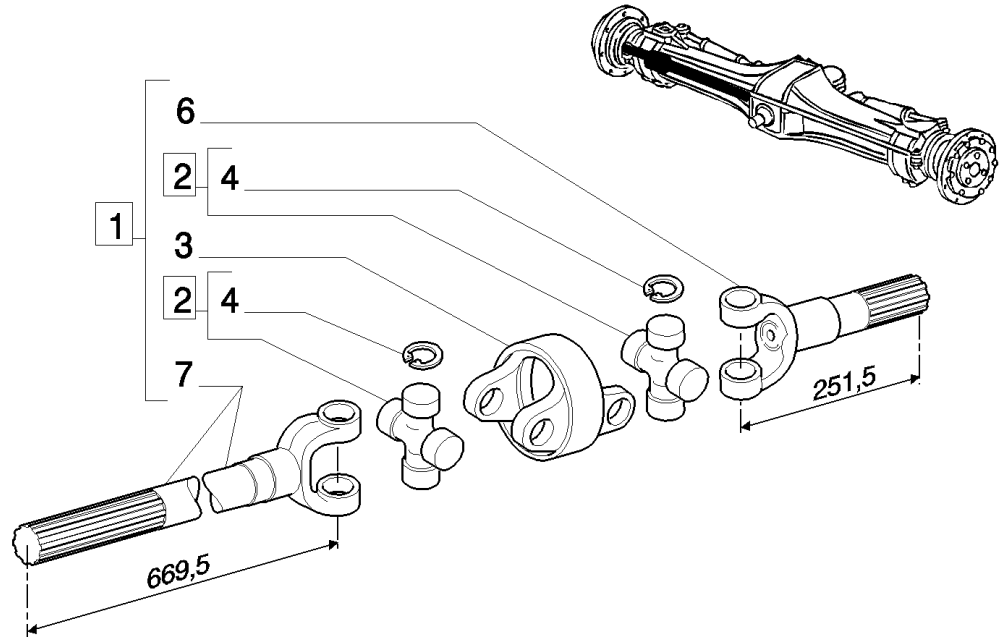
## MXM155 CASE IH TRACTOR (6/02- )

## 1.40.7/10(02) (VAR.463/1) 4WD FRONT AXLE WITH SUSPENSIONS, BRAKE, TERRALOCK, FPS - GEARS AND DIFFERENTIAL AX

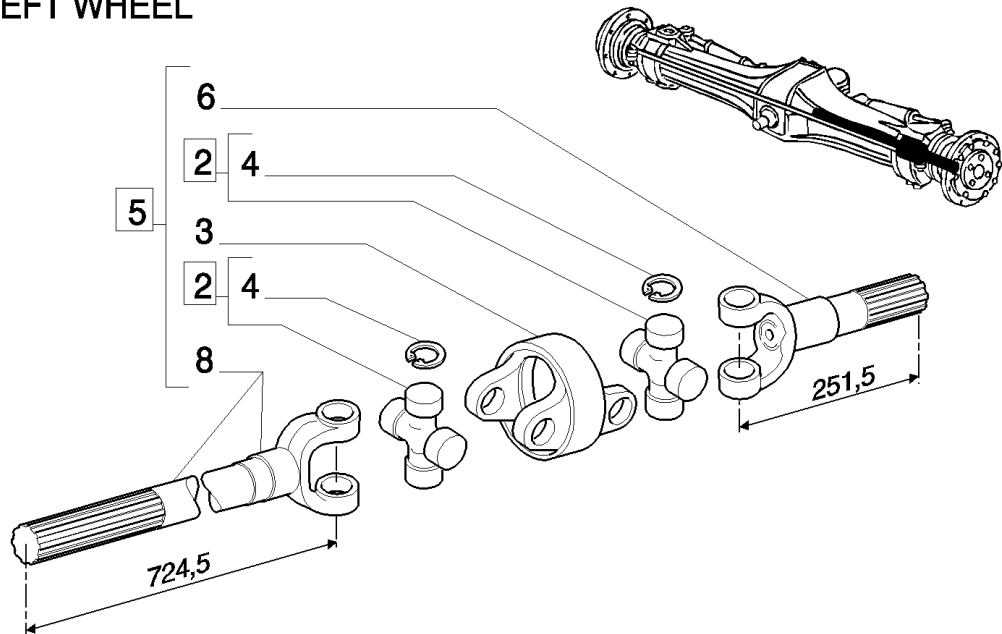
сылка	Номер детали	Кол-во	Описание
1	5181947	1	AXLE-SHAFT, ARTICULATED, LH, MXM155
1	5191701	1	AXLE-SHAFT, ARTICULATED, LH, MXM175, MXM190
1	5181946	1	AXLE-SHAFT, ARTICULATED, RH, MXM155
1	5191702	1	AXLE-SHAFT, ARTICULATED, RH, MXM175, MXM190
2	11061376	4	RING, SNAP, M68, Int,
3	28042480	2	BEARING, BALL, 40 x 68 x 15
4	5109311	2	SEAL PROTECTION,
5	5105948	2	SEAL, 45 x 68 x 12
6	5183845	2	SEAL, 65 x 45 x 18.5
7	5123651	6	RING,
8	5181054	2	CARRIER,
9	4998022	12	WASHER, THRUST,
10	5102132	6	PINION, IDLER,
11	5101692	6	BEARING, NEEDLE, 31.8 x 41.9 x 35.5
12	5181056	6	PIN,
13	5181054	2	CARRIER,
14	14274631	24	BOLT, Hex, M12 x 1.25 x 35,
15	5136819	2	GEAR, PLANETARY,
16	14326211	2	PLUG, Magnetic



FOR RIGHT WHEEL



FOR LEFT WHEEL



MXM155 CASE IH TRACTOR (6/02- )

1.40.7/10B (VAR.463/1) 4WD FRONT AXLE WITH SUSPENSIONS, BRAKE, TERRALOCK, FPS - ARTICULATED HALF-AXLE

сылка	Номер детали	Кол-во	Описание
1	5181946	1	AXLE-SHAFT, ARTICULATED, Assy, RH
2	5191482	2	SPIDER,
3	5191485	1	YOKE,
4	5191483	8	RING, LOCKING,
5	5181947	1	AXLE-SHAFT, ARTICULATED, Assy, LH
6	5191488	1	YOKE, Outer, Short
7	5191486	1	SHAFT, Inner, Long, RH
8	5191487	1	SHAFT, Inner, Long, LH



## MXM155 CASE IH TRACTOR (6/02- )

## 1.40.7/12 (VAR.463/1) 4WD FRONT AXLE WITH SUSPENSIONS, BRAKE, TERRALOCK, FPS - POWER STEERING CYLINDER

сылка	Номер детали	Кол-во	Описание
1	5164022	2	CYLINDER STEERING, MXM120, MXM130, MXM140, MXM155
1	5198883	2	CYLINDER STEERING, MXM175, MXM190
2	5188440	1	HOSE, FLEXIBLE, RH
3	5188439	1	HOSE, FLEXIBLE, LH
4	16043824	3	BOLT, Hex, M8 x 30, 8.8, Full Thd,
5	11193874	4	WASHER, SPRING, Belleville, M8.4,
6	5188504	2	BRACKET,
7	5188503	2	BRACKET,
8	13605811	2	SPACER, M8.5 x 18 x 10,
9	13000990	2	CLAMP, HOSE, D=60-80
10	5188452	1	TUBE, HYD,
11	16043424	3	SCREW, Hex, M8 x 20, 8.8, Full Thd,
12	11067376	2	RING, SNAP, M25, Ext,
13	5191671	2	NIPPLE, LUBE, 45c, M14 x 1.5,
14	5198013	2	PIN,
15	5111576	2	SPACER, M25.5 x 34 x 11,
16	47127165	2	ELBOW, 11/16"-16, M14 x 1.5
17	5188443	2	CONNECTOR, HYD.,
18	5185510	6	O-RING, M9.25 ID x 1.78 Thk
19	14437785	4	O-RING, 11.3MM ID x 2.4 Thk,
20	5111573	4	WASHER, LOCK, 25.5 x 34
21	87414	2	NIPPLE, LUBE, 1/4"-28 x .56" lg, Drive,
22	5171707	2	PIN,

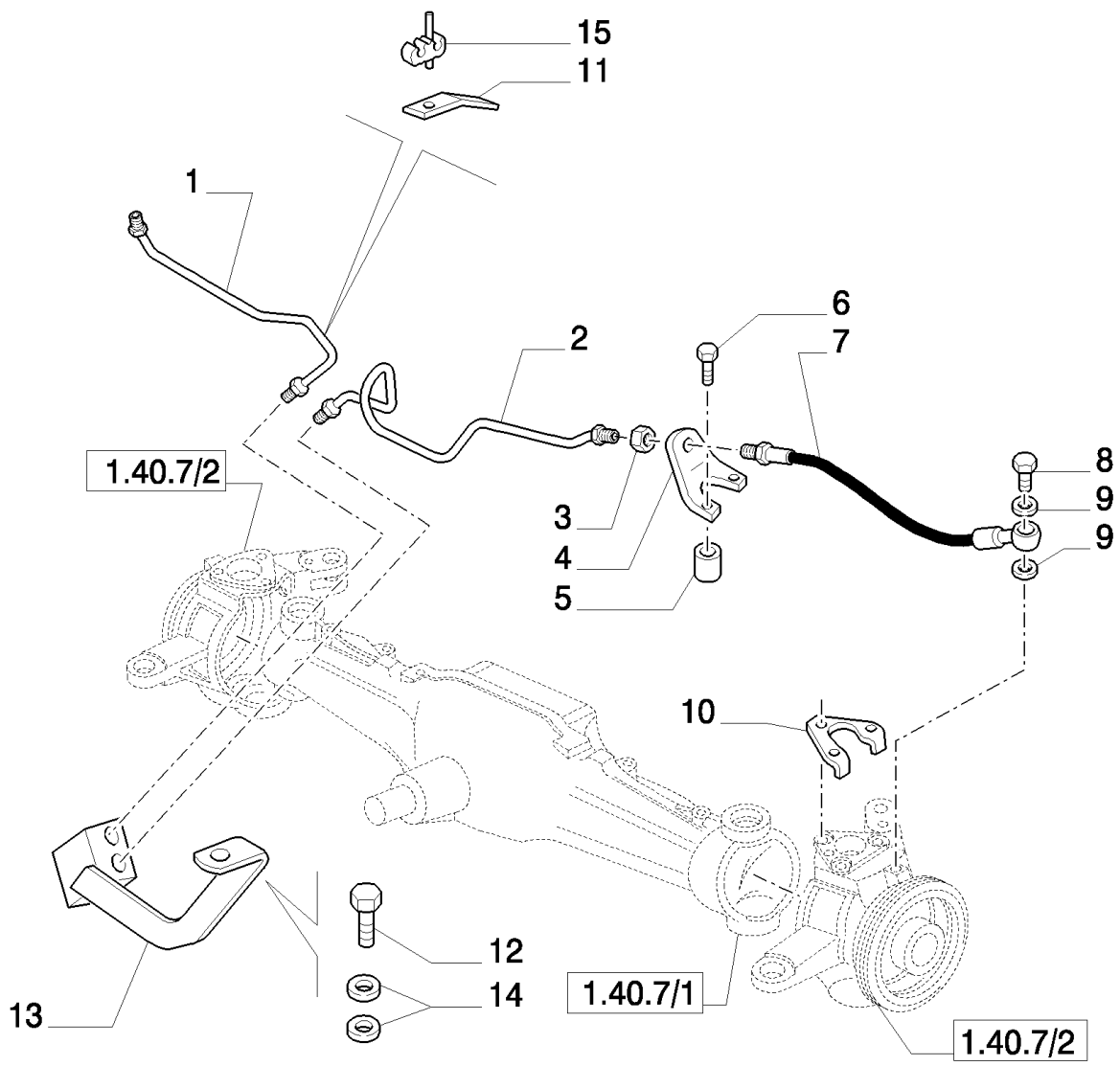
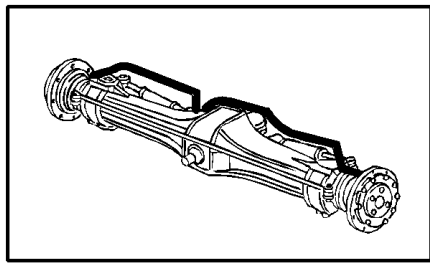




## MXM155 CASE IH TRACTOR (6/02- )

## 1.40.7/13(02) (VAR.463/1) 4WD FRONT AXLE WITH SUSPENSIONS, BRAKE, TERRALOCK, FPS - BRAKES

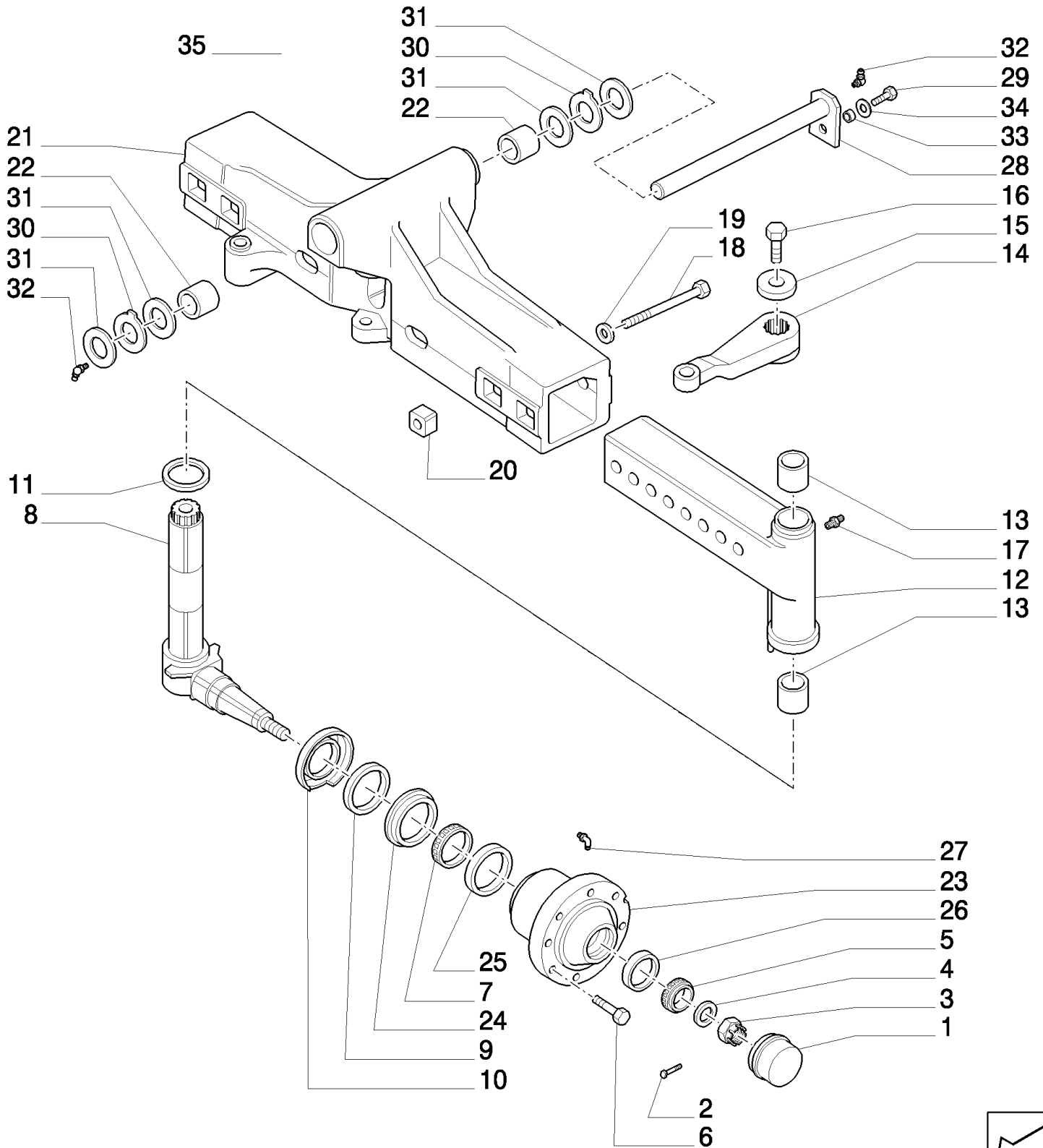
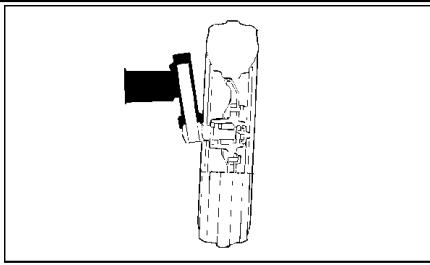
сылка	Номер детали	Кол-во	Описание
1	5178857	4	CIRCLIP,
2	14456981	4	O-RING, -111, CI 7, .424" ID x .103" Thk,
3	5173504	2	PAWL,
4	5153030	2	SCREW, BLEED,
5	5181994	2	HOUSING,
6	5181566	2	SEAL, 198.6 x 205.4 x 3.4
7	5178850	2	SEAL, 229.6 x 236.4 x 3.4
8	5179560	12	SLEEVE,
9	11200271	12	WASHER, LOCK, M16 x 34 x 4.4
10	16334430	12	BOLT, Hex, M16 x 1.5 x 60,
11	5181567	2	SPOOL,
12	5182010	2	HUB,
13	5178813	2	BRAKE DISC,
14	5178903	2	BRAKE DISC,
15	5181929	2	BRAKE DISC,
16	5181933	2	GEAR, RING,



## MXM155 CASE IH TRACTOR (6/02- )

## 1.40.7/13(04) (VAR.463/1) 4WD FRONT AXLE WITH SUSPENSIONS, BRAKE, TERRALOCK, FPS - BRAKES

сылка	Номер детали	Кол-во	Описание
1	5188458	1	BRAKE LINE, RH
2	5188464	1	BRAKE LINE, LH
3	10718114	2	NUT, LOCK, M16 x 1, CI 04,
4	5182969	1	BRACKET, LH
4	5182970	1	BRACKET, RH
5	5182910	3	SPACER,
6	15540924	3	BOLT, Hex, M12 x 1.25 x 55, 8.8,
7	5155700	2	HOSE, FLEXIBLE,
8	5155703	2	BOLT, BANJO, M12 x 1.25 x 22
9	4858607	4	WASHER, COPPER,
10	5183165	2	BRACKET,
11	5182997	1	COLLAR, RETAINER,
12	14274834	1	BOLT, Hex, M12 x 1.25 x 45,
13	5188505	1	BRACKET,
14	10520004	2	WASHER, M12 x 22 x 3,
15	14575380	1	RETAINER,

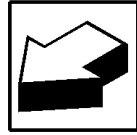
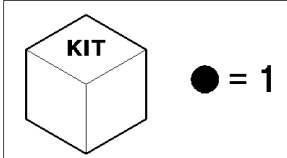
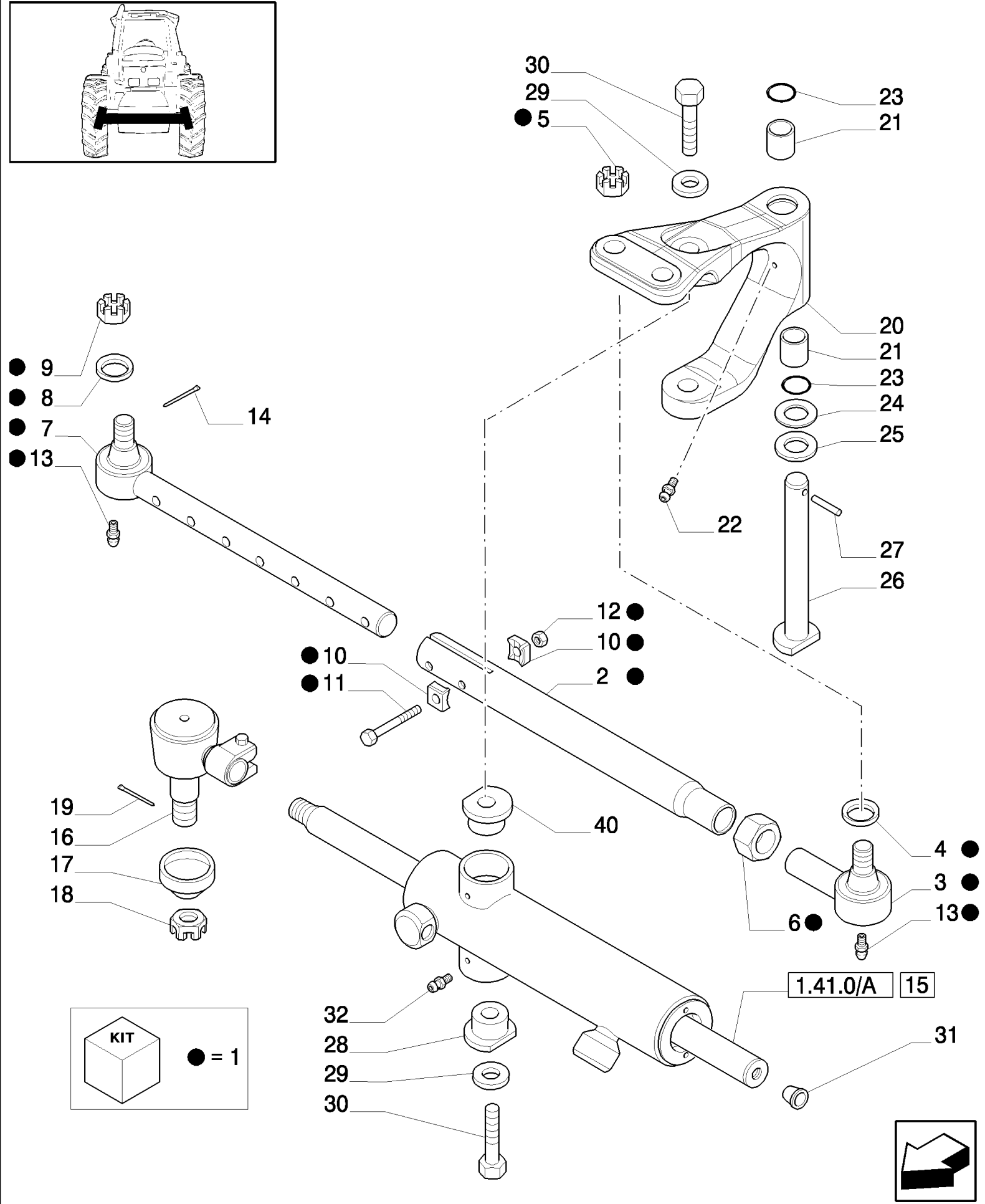
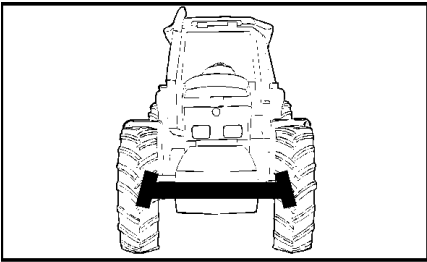


## MXM155 CASE IH TRACTOR (6/02- )

## 1.41.0(01) 2WD FRONT AXLE - BODY

сылка	Номер детали	Кол-во	Описание
1	189425C1	2	HUB CAP,
2	733-6350	2	PIN, SPLIT (COTTER), M6.3 x 50,
3	1259683C1	2	NUT, M30-1.5
4	896-12030	2	WASHER, M30 x 56.5 x 5, HT,
5	130504H	2	BEARING, CONE,
6	1342033C1	16	BOLT,
7	59717H	2	NUT, RING,
8	1259519C3	2	KNUCKLE, STEERING, Incl. 9, 10
9	491641C1	1	SEAL, LH
10	1259522C1	1	SHIELD,
11	1270815C1	2	BEARING,
12	1264574C2	1	EXTENSION ASSY., LH, Incl. 13
12	1264575C2	1	EXTENSION ASSY., RH, Incl.13
13	1259518C1	2	BUSHING,
14	235393A1	1	KNUCKLE, STEERING, LH
14	235392A1	1	KNUCKLE, STEERING, RH
15	1259669C2	2	WASHER,
16	614-20055	2	BOLT, Hex, M20 x 55, 8.8, Full Thd,
17	219-17	2	NIPPLE, LUBE, 3/16" x .55" lg, Drive,
18	828-24200	4	BOLT, Hex, M24 x 200, 10.9,
19	896-12024	4	WASHER, M24 x 44.5 x 5, HT,
20	1264635C1	4	NUT,
21	235395A2	1	AXLE, FRONT, Incl. 22
22	196294A1	2	BUSHING,
23	1259528C1	2	HUB, Incl. 24, 25, 26
24	1264549C1	1	WASHER, CUP,
25	29214H	1	BEARING, CUP, 4-5/16" OD
26	130503H	1	BEARING, CUP, 3-17/64"
27	219-404	2	NIPPLE, LUBE, 45с, 3/16" x .83" lg, Drive,
28	181466A4	1	PIN,
29	806-12040	1	BOLT, Hex, Lock, M12 x 40, Cl 10.9,
30	A177855	2	WASHER,
31	A177854	4	WASHER,
32	219-41	2	NIPPLE, LUBE, 65с, 1/8" NPT x 1.20" lg,
33	280011A1	1	SPACER,
34	101936C2	1	WASHER,
35	82030650	1	PLUG,

1.41.0(02) FRONT AXLE (2WD) - TRACK ROD ASSY



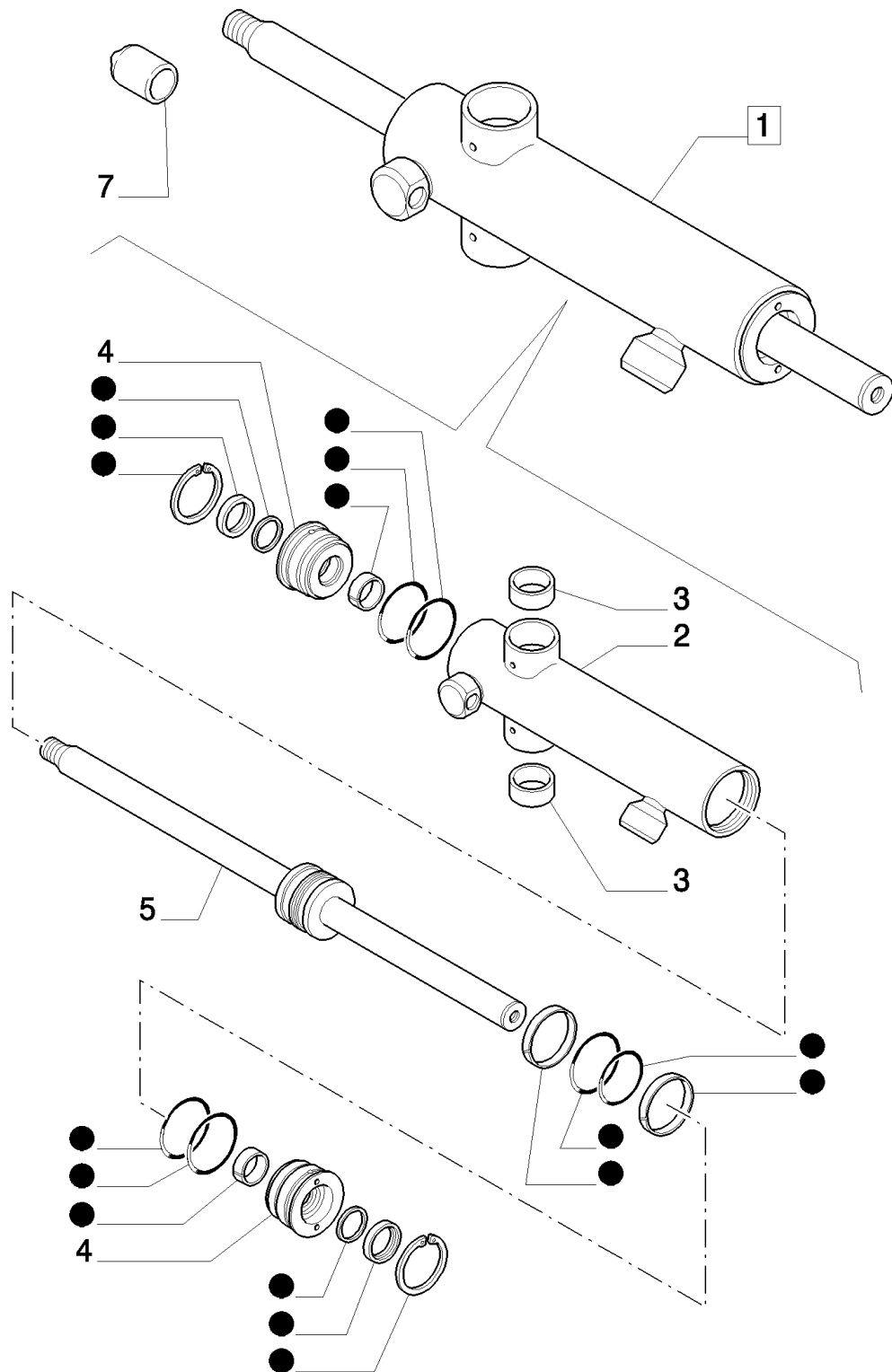
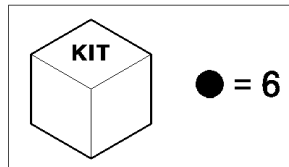
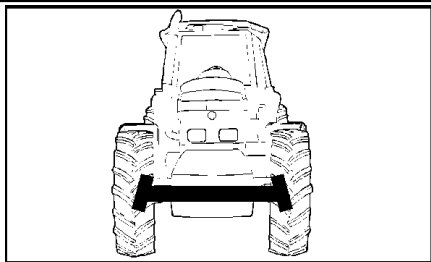
## MXM155 CASE IH TRACTOR (6/02-)

## 1.41.0(02) FRONT AXLE (2WD) - TRACK ROD ASSY

сылка	Номер детали	Кол-во	Описание
1	1270788C1	1	LINK DRAG,
2	1280657C1	1	TUBE,
3	1280658C1	1	BALL JOINT, Incl. 4, 5
4	1280659C1	1	SEAL,
5	1280660C1	1	NUT, SLOTTED, M20
6	1280661C1	1	NUT, SLOTTED, 1-1/8"
7	1280662C1	1	BALL JOINT, Incl. 8, 9
8	1280659C1	1	SEAL,
9	1280660C1	1	NUT, SLOTTED, M20
10	A145857	4	CLAMP,
11	328-648	2	BOLT, Hex, 3/8"-24 x 3", G8,
12	232-4616	2	NUT, LOCK, 3/8"-24, GC,
13	219-8	2	NIPPLE, LUBE, 1/4"-28 NPT x .54" lg,
14	432-824	4	PIN, SPLIT (COTTER), 1/8" x 1 1/2",
15	241936A2	1	CYLINDER STEERING,
16	304856A1	1	END ASSY, TRACK ROD, Incl. 17, 18
17	304857A1	1	DUST CAP, 7/8" NF; 8
18	429-1314	1	NUT, SLOTTED, 7/8"-14, G8,
19	432-1028	1	PIN, SPLIT (COTTER), 5/32" x 1 3/4",
20	238462A2	1	YOKE, Incl. 21
21	1259581C1	2	BUSHING,
22	219-17	1	NIPPLE, LUBE, 3/16" x .55" lg, Drive,
23	238-5214	2	O-RING, -214, 70 Duro, .984" ID x .139" Thk,
24	71421C1	3	WASHER, 1-1/32 x 1-3/4 x 5/32"
25	95-81052	3	WASHER, 1 1/32" x 1 3/4" x .048",
26	1334694C1	1	PIN, AXLE,
27	38-31624	1	PIN, ROLL, 1/4" x 1 1/2", Coiled,
28	1259582C4	2	PIVOT,
29	396-31081	2	WASHER, 13/16" x 1 1/2" x .219", HDN,
30	628-20060	2	BOLT, Hex, M20 x 60, 10.9, Full Thd,
31	353-550	1	PLUG, Slotted, 1/2"-13,
32	219-17	2	NIPPLE, LUBE, 3/16" x .55" lg, Drive,



1.41.0/ A FRONT AXLE (2WD) - STEERING, CYLINDER

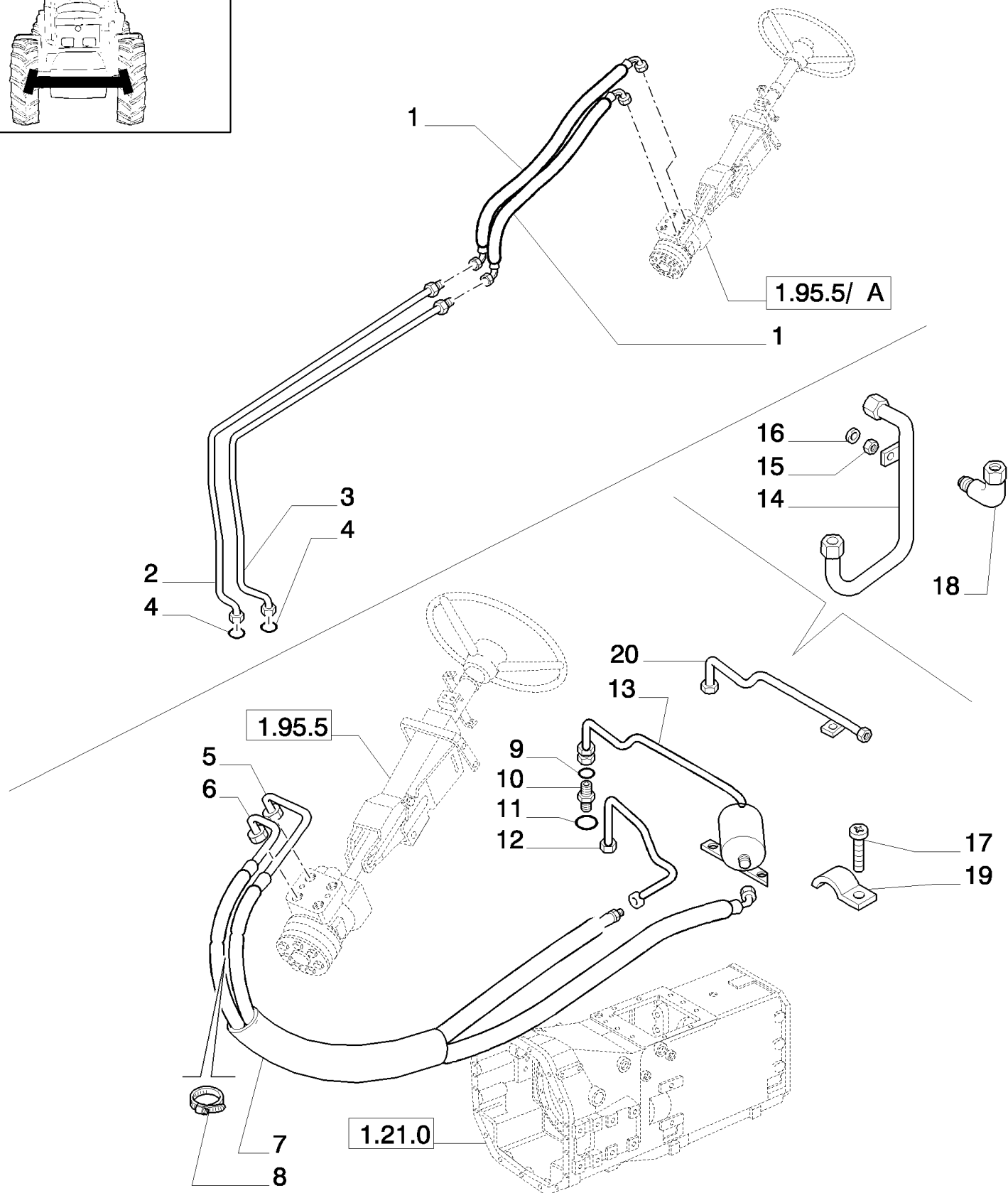
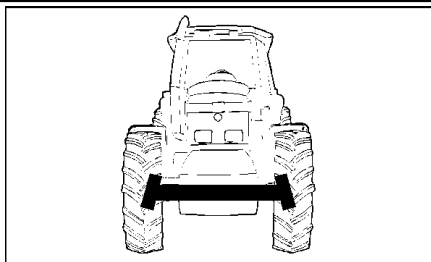


## MXM155 CASE IH TRACTOR (6/02- )

## 1.41.0/ A FRONT AXLE (2WD) - STEERING, CYLINDER

сылка	Номер детали	Кол-во	Описание
1	241936A2	1	CYLINDER STEERING,
2	242063A2	1	BARREL, Incl. 3
3	1255304C2	2	BUSHING,
4	243089A1	2	CAP CYLINDER END,
5	243090A1	1	ROD, PISTON,
6	80448C3	1	KIT, GASKET,
7	87301685	1	CAP,

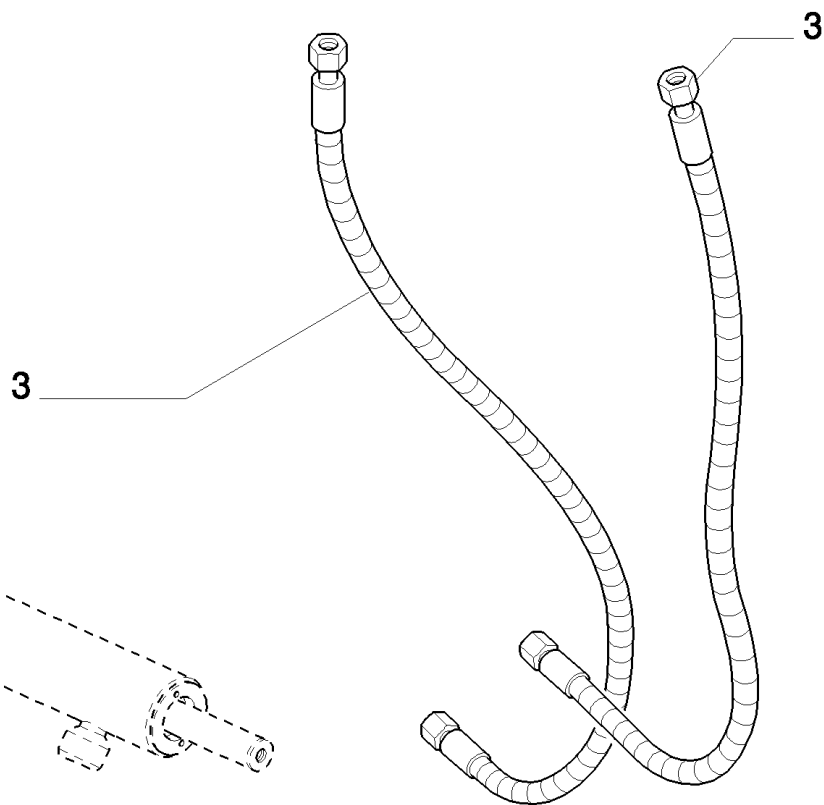
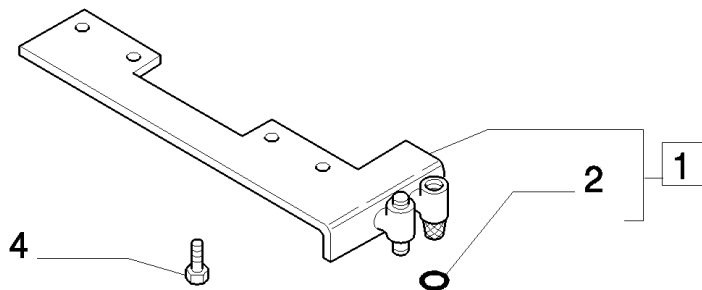
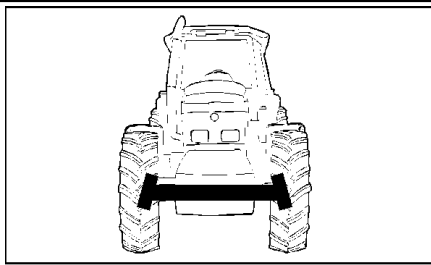
1.42.0(01) POWER STEERING HYDRAULIC CONTROL



## MXM155 CASE IH TRACTOR (6/02- )

## 1.42.0(01) POWER STEERING HYDRAULIC CONTROL

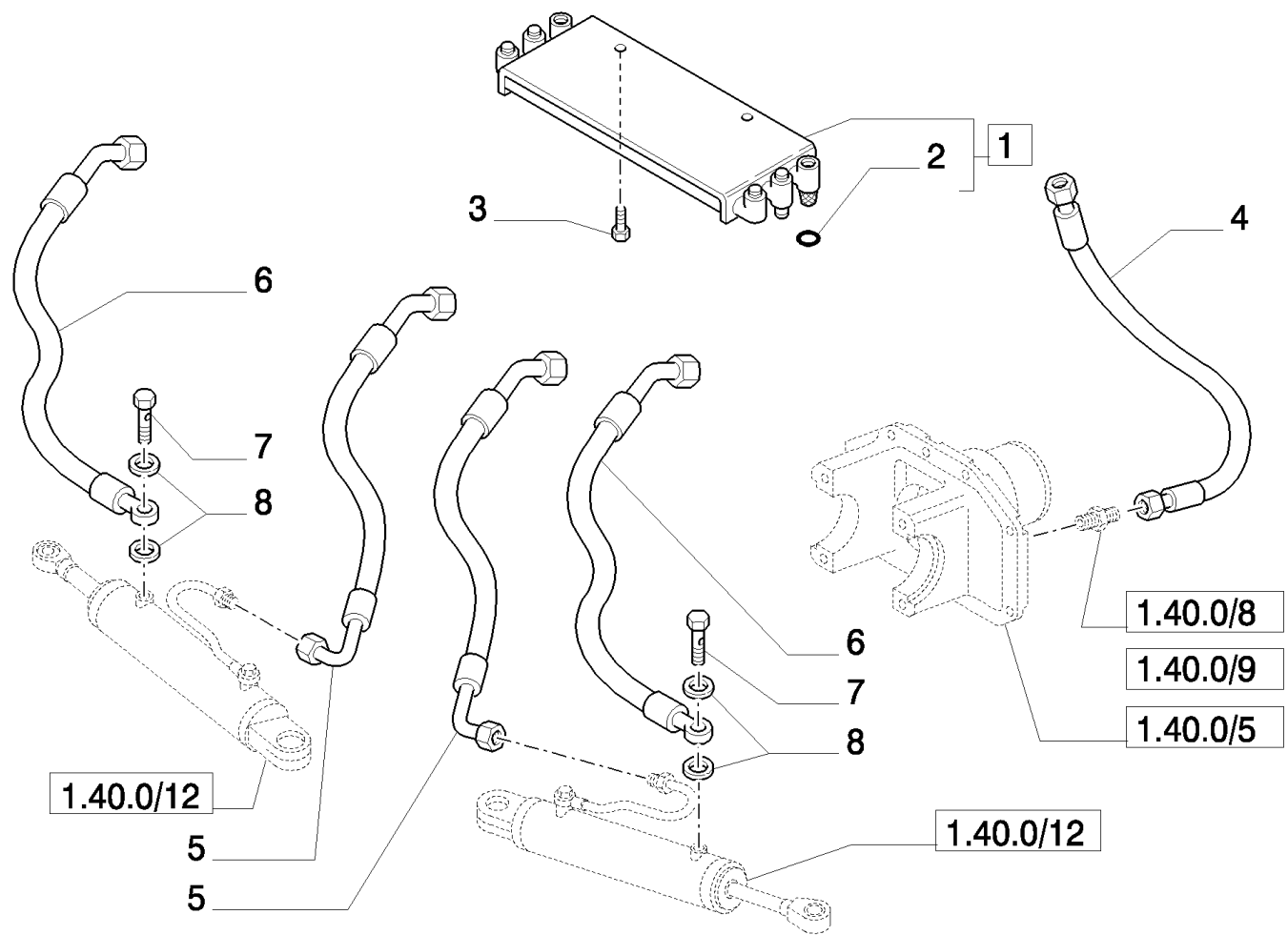
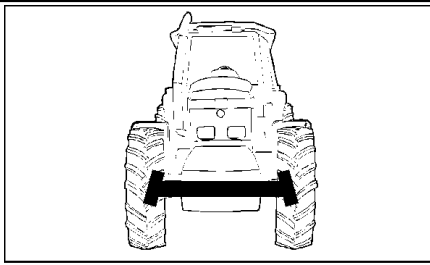
сылка	Номер детали	Кол-во	Описание
1	82016474	2	HOSE, FLEXIBLE,
1	82019183	2	HOSE, , Only for Cab w/Suspension (Equip. 635)
2	82018784	1	TUBE, HYD, Right Turn
3	82018783	1	TUBE, HYD, Left Turn
4	81844851	2	O-RING, 90 Duro, .375" ID x .070" Thk
5	82016478	1	HOSE, FLEXIBLE, Steering Return
5	82016479	1	HOSE, FLEXIBLE, Steering Return, Only for Cab w/Suspension (Equip. 635)
6	82016476	1	HOSE, FLEXIBLE, Steering Feed
6	82016477	1	HOSE, FLEXIBLE, Steering Feed, Only for Cab w/Suspension (Equip. 635)
7	82003133	1	SHIELD,
8	263117	2	STRAP, CABLE, .14" x 11 1/2",
9	5185512	2	O-RING, M15.6 ID x 1.78 Thk
10	5185046	1	CONNECTOR, HYD.,
11	14437985	1	O-RING, 15.3MM ID x 2.4 Thk,
12	82005980	1	TUBE, HYD,
13	5187053	1	TUBE, HYD,
13	5187052	1	TUBE, HYD, MXM120, MXM130, MXM140, W/Mec. Trans. 20 x 16 (40 KPH), -C5531
14	82020562	1	TUBE, HYD, , W/Full Power Shift trans. 18 x 6 (40 KPH-4WD) and 17 x 6 (30 KPH-2WD) Equip. 281
15	12164714	1	NUT, M10 x 1.25, Cl 8, , W/Full Power Shift trans. 18 x 6 (40 KPH-4WD) and 17 x 6 (30 KPH-2WD) Equip. 281
16	12601471	1	WASHER, LOCK, D=10, W/Full Power Shift trans. 18 x 6 (40 KPH-4WD) and 17 x 6 (30 KPH-2WD) Equip. 281
17	16207524	1	SCREW,
18	5155622	1	ELBOW, , W/Full Power Shift trans. 18 x 6 (40 KPH-4WD) and 17 x 6 (30 KPH-2WD) Equip. 281
19	82002396	1	COLLAR, RETAINER,
20	87561284	1	TUBE, RIGID, , W/Mec. Trans. 20 x 16 (40 KPH), D5531-



## MXM155 CASE IH TRACTOR (6/02- )

## 1.42.0(02) POWER STEERING HYDRAULIC CONTROL - (2WD)

сылка	Номер детали	Кол-во	Описание
1	82026193	1	SUPPORT, MXM120, MXM130, MXM140, MXM155, MXM175, MXM190
2	89992298	2	O-RING, 0.500" x .070"
2	81844851	6	O-RING, 90 Duro, .375" ID x .070" Thk
3	82030639	2	HOSE, FLEXIBLE, MXM120, MXM130, MXM140, MXM155, MXM175, MXM190
4	82019896		AR SCREW,

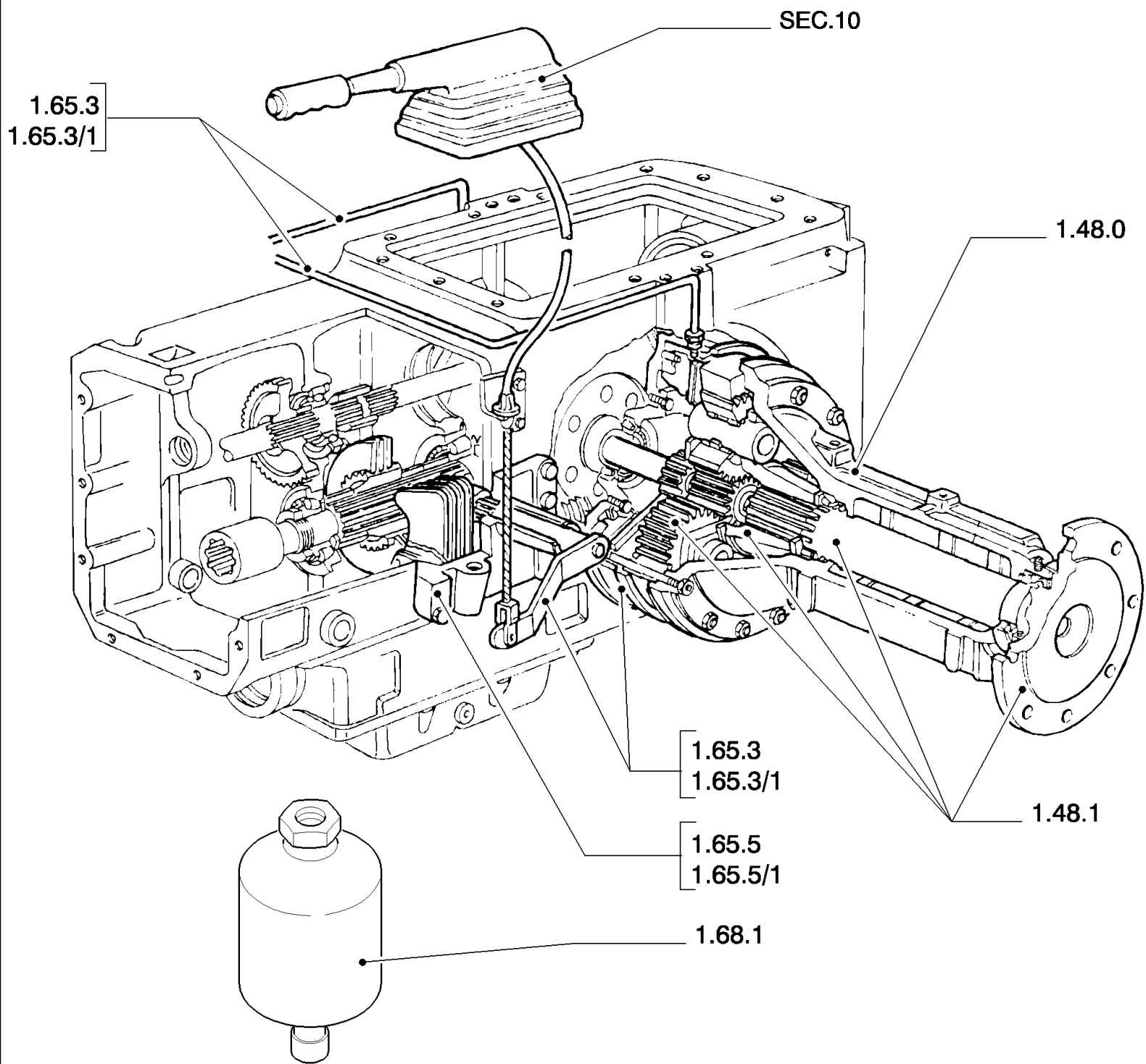


## MXM155 CASE IH TRACTOR (6/02- )

## 1.42.0(03) POWER STEERING HYDRAULIC CONTROL - (4WD)

сылка	Номер детали	Кол-во	Описание
1	82026193	1	SUPPORT,
2	89992298	2	O-RING, 0.500" x .070"
2	81844851	6	O-RING, 90 Duro, .375" ID x .070" Thk
3	82019896	2	SCREW, M8 x 1.25 x 16
4	82022284	1	HOSE, FLEXIBLE, 3/4"-16, 380 mm
5	82022491	2	HOSE, FLEXIBLE, 11/16"-16, 420 mm
6	82022492	2	HOSE, FLEXIBLE, 11/16"-16, 515 mm
7	4864083	2	BOLT, BANJO, M14 x 1.5 x 30
8	44906168	4	SEAL,



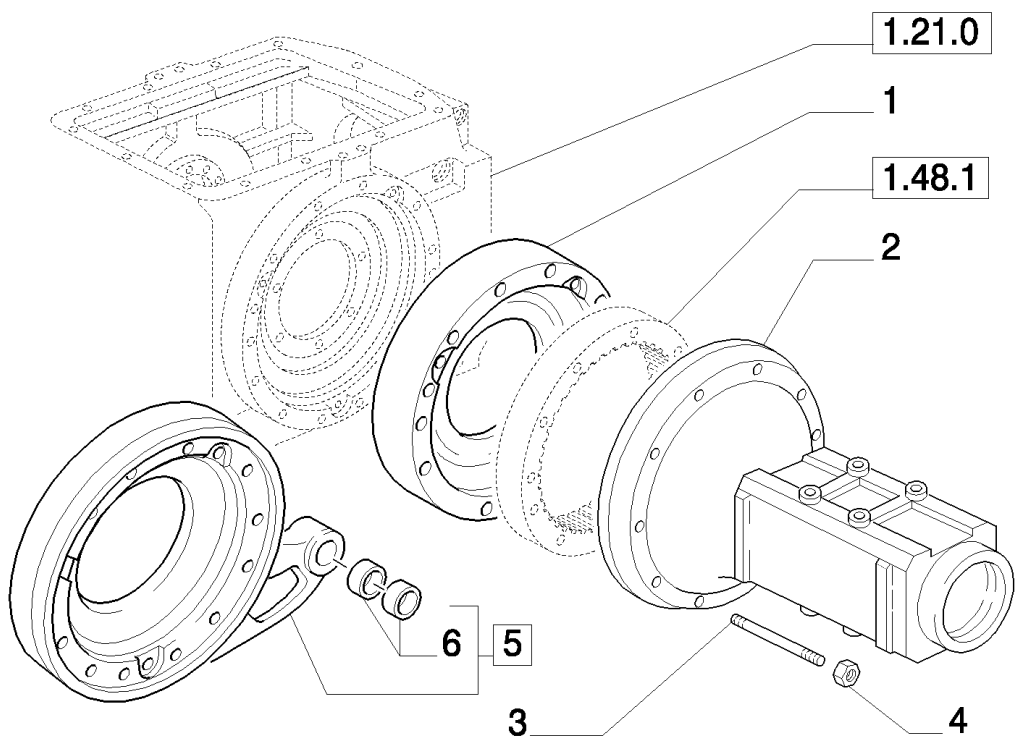
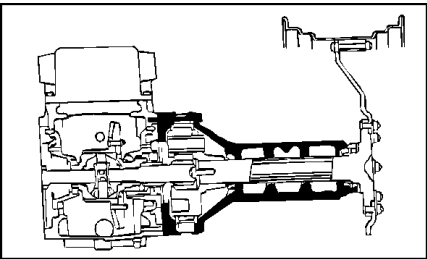


MXM155 CASE IH TRACTOR (6/02- )

1.47.0 SEC. 05 - REAR AXLE

сылка	Номер детали	Кол-во	Описание

1.48.0 SIDE REDUCTION UNIT (FINAL DRIVE) HOUSING AND COVERS

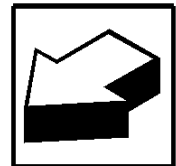
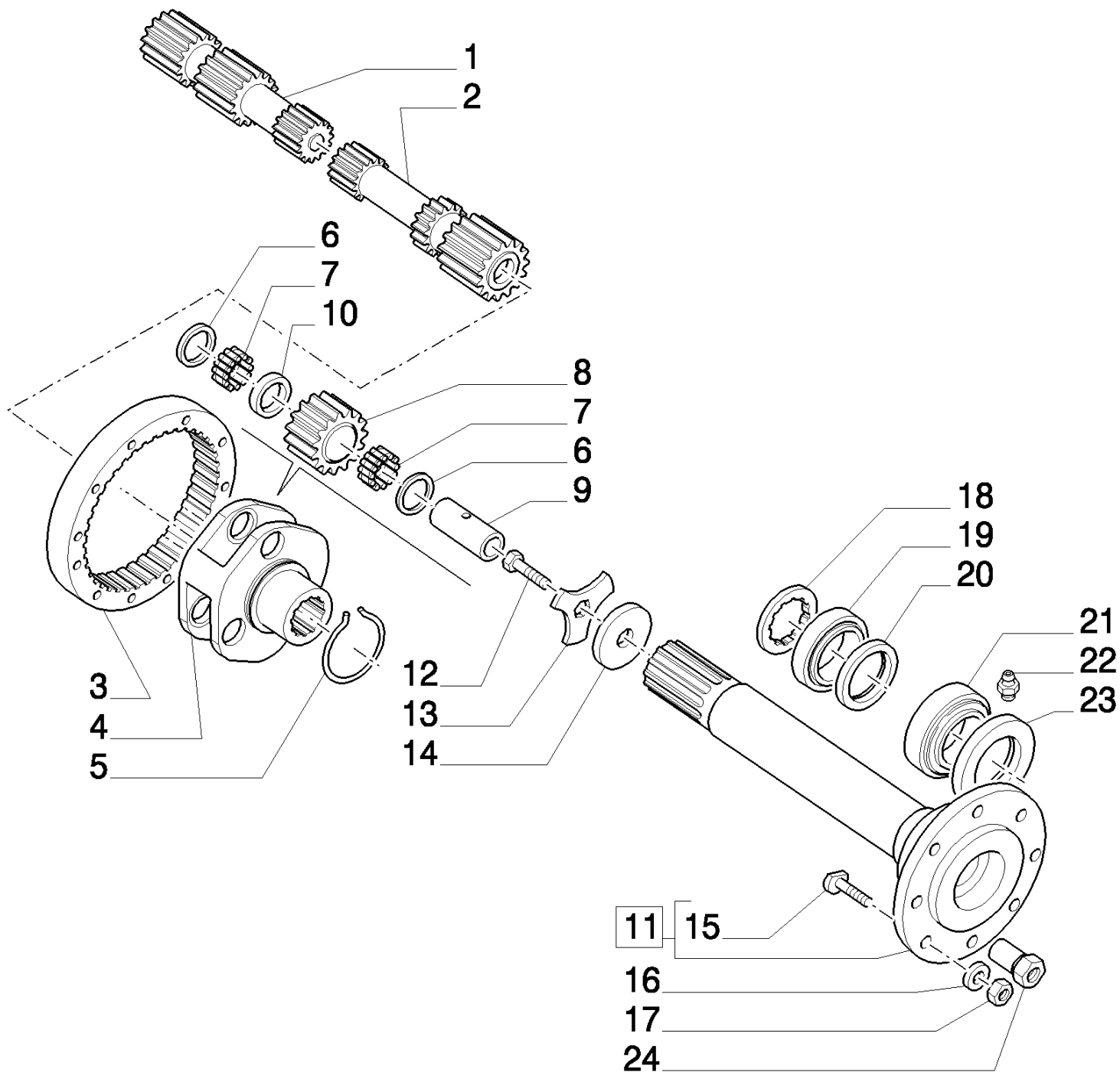
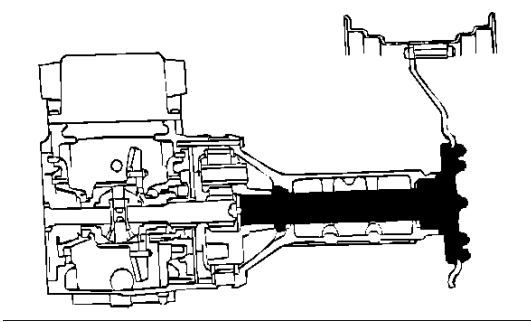


## MXM155 CASE IH TRACTOR (6/02- )

## 1.48.0 SIDE REDUCTION UNIT (FINAL DRIVE) HOUSING AND COVERS

сылка	Номер детали	Кол-во	Описание
1	5152347	1	SPACER,
2	5164690	2	HOUSING, FINAL DRIVE, MXM120, MXM130
2	5164731	2	HOUSING, FINAL DRIVE, Std for MXM140, MXM155, W/ VAR. 431, 112" Bar Axle F/Cast Wheels (Heavy Duty Reduction) is used for MXM120, MXM130, too
3	13557730	AR	STUD, M14 x 28 x 145
3	13557430	AR	STUD, M14 x 28 x 130
3	13557930	AR	STUD, M14 x 28 x 160, MXM140, MXM155, W/112" Bar Axle F/Cast Wheels (Heavy Duty Reduction) is used for MXM120, MXM130
4	12164021	24	NUT, M14 x 1.5, CI 10,
5	5152349	1	SPACER, LH
6	5153140	2	BUSHING,

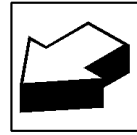
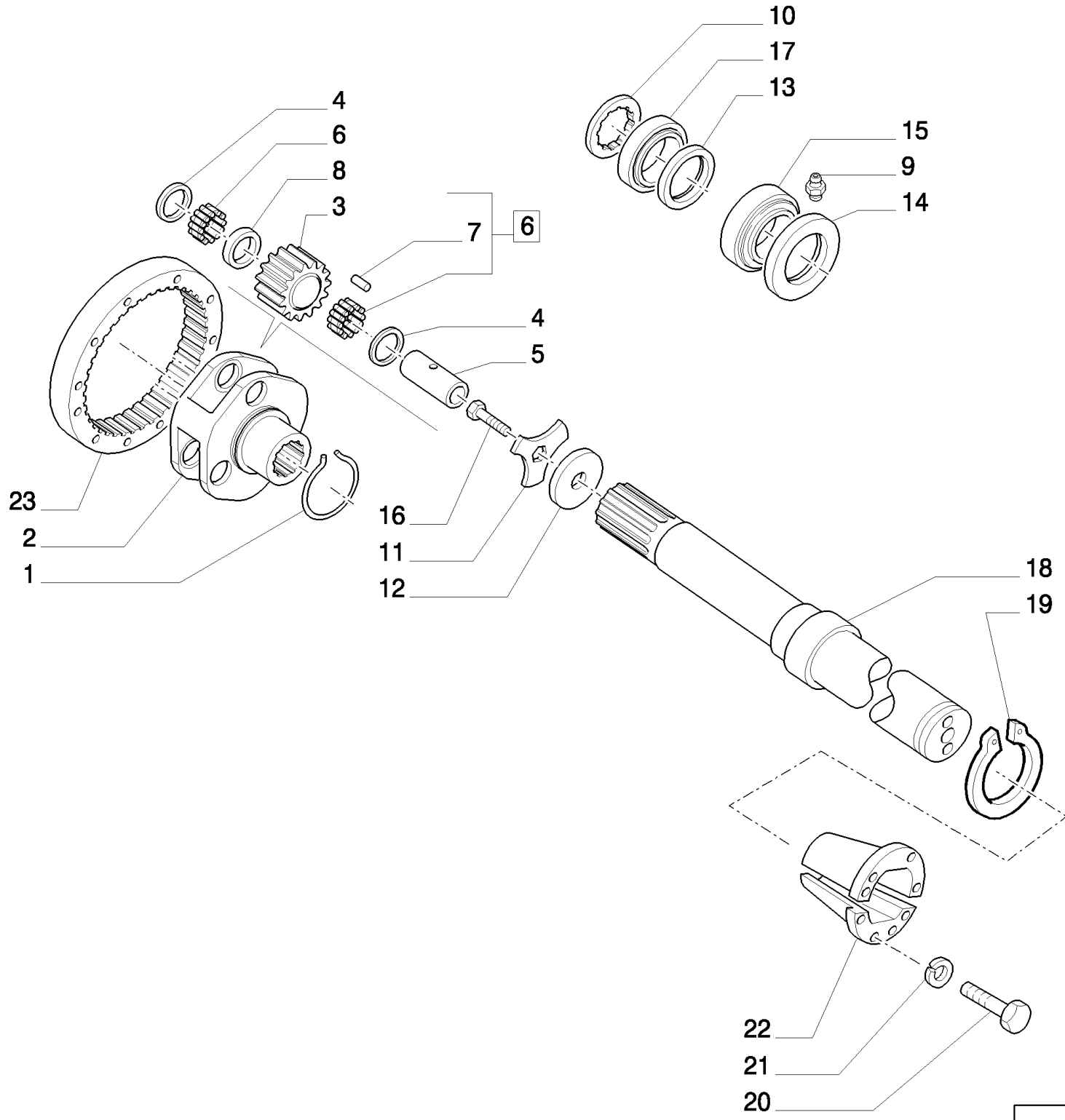
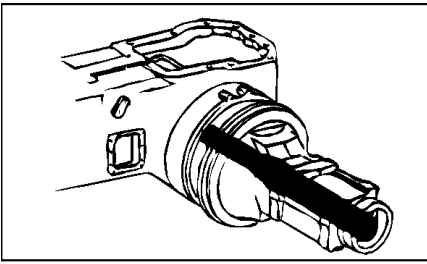
1.48.1(02) FINAL DRIVE, GEARS AND SHAFTS



## MXM155 CASE IH TRACTOR (6/02- )

## 1.48.1(02) FINAL DRIVE, GEARS AND SHAFTS

сылка	Номер детали	Кол-во	Описание
1	5170962	1	HALF SHAFT, RH, L= 294 mm
2	5170963	1	HALF SHAFT, LH, L= 312 mm
3	5162266	2	GEAR, RING,
4	5162271	2	SUPPORT,
5	4998880	2	RING, LOCKING,
6	5145983	12	WASHER, THRUST, 53.6 x 84 x 1
7	5102466	6	KIT, 10 NEEDLE BRGS, 53.5 x 67.5 x 32
8	5162282	6	GEAR, DRIVEN,
9	5162172	6	PIN,
10	5102468	6	SPACER, 56 x 67.4 x 5
11	5167017	2	SHAFT, CONTROL,
12	15984331	2	BOLT, Hex, M18 x 1.5 x 50, 10.9, Full Thd,
13	5146156	2	PLATE, LOCKING,
14	5162141	2	DISC,
15	5102745	16	SCREW,
16	44011091	16	WASHER, For Sheet Disc
17	12164224	16	NUT, M18 x 1.5, CI 10, For Sheet Disc
18	5121648	2	WASHER, THRUST,
19	24903490	2	BEARING, ROLLER, TAPERED, 80 x 125 x 29
20	5162403	2	SEAL, 82 x 105 x 12
21	24903500	2	BEARING ASSY, 85 x 130 x 29
22	13407211	2	NIPPLE, LUBE, M10 x 1,
23	5149310	2	SEAL, 100 x 130 x 16
24	5100941	16	NUT, For Cast Disc

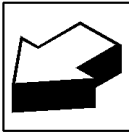
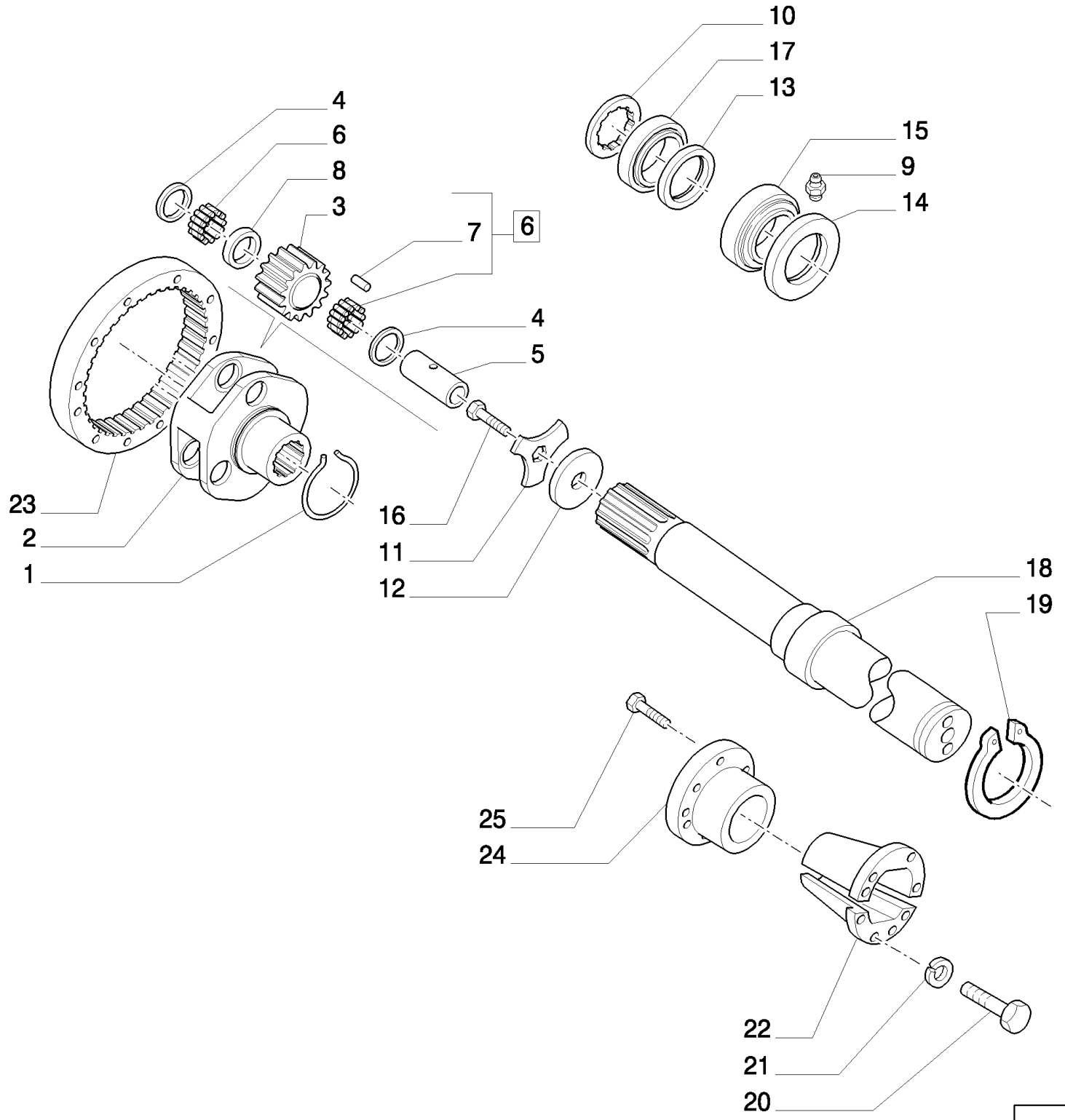
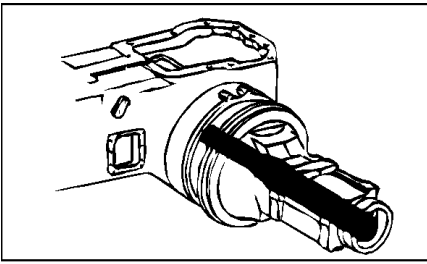


## MXM155 CASE IH TRACTOR (6/02- )

1.48.1/03 (VAR.431/1) 112" LONG AXLE FOR CAST DISC

сылка	Номер детали	Кол-во	Описание
1	4998880	2	RING, LOCKING,
2	5162271	2	SUPPORT,
3	5162282	6	GEAR, DRIVEN,
4	5145983	12	WASHER, THRUST,
5	5162172	6	PIN,
6	5102466	6	KIT, 10 NEEDLE BRGS,
7	5116733	54	NEEDLE ROLLER,
8	5102468	6	SPACER,
9	13407211	2	NIPPLE, LUBE, M10 x 1,
10	5121648	2	WASHER, THRUST,
11	5146156	2	PLATE, LOCKING,
12	5162141	2	DISC,
13	5162403	2	SEAL,
14	5199548	2	SEAL,
15	24903500	2	BEARING ASSY, 85 x 130 x 29
16	15984331	2	BOLT, Hex, M18 x 1.5 x 50, 10.9, Full Thd,
17	24903490	2	BEARING, ROLLER, TAPERED, 80 x 125 x 29
18	5198601	2	SHAFT, 112"
19	11071376	2	RING, SNAP, M90, Ext,
20	11125321	12	BOLT, Hex, M20 x 80, 8.8,
21	87306816	12	WASHER, CONE, 20 x 36 x 4.5
22	5198605	2	BUSHING,
23	5162266	2	GEAR, RING,

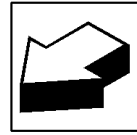
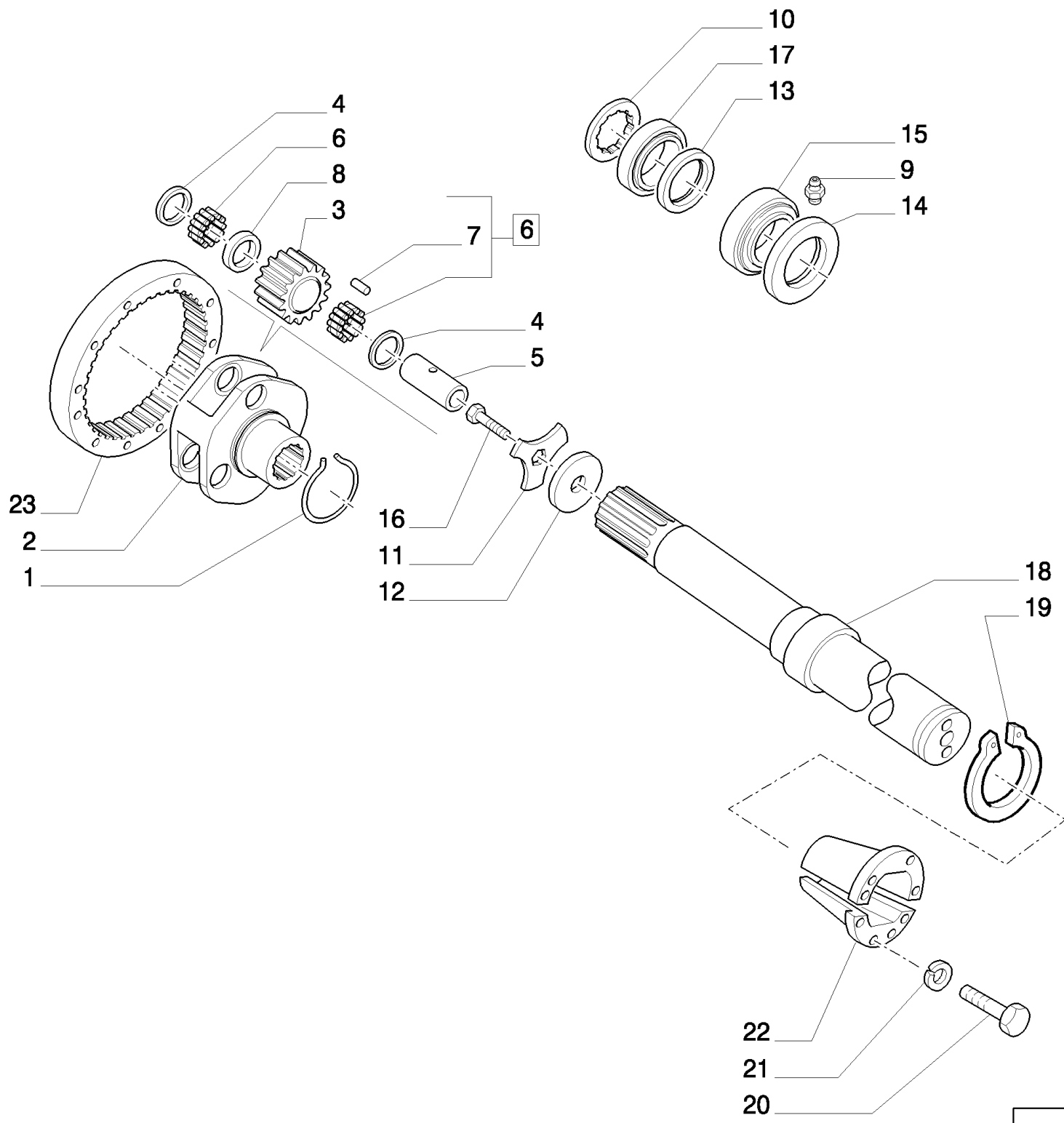
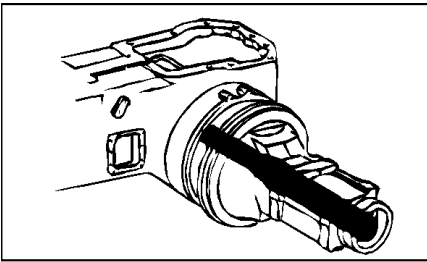




## MXM155 CASE IH TRACTOR (6/02- )

## 1.48.1/06 (VAR.431/4) 112" LONG AXLE FOR STEEL DISK

сылка	Номер детали	Кол-во	Описание
1	4998880	2	RING, LOCKING,
2	5162271	2	SUPPORT,
3	5162282	6	GEAR, DRIVEN,
4	5145983	12	WASHER, THRUST,
5	5162172	6	PIN,
6	5102466	6	KIT, 10 NEEDLE BRGS,
7	5116733	54	NEEDLE ROLLER,
8	5102468	6	SPACER,
9	13407211	2	NIPPLE, LUBE, M10 x 1,
10	5121648	2	WASHER, THRUST,
11	5146156	2	PLATE, LOCKING,
12	5162141	2	DISC,
13	5162403	2	SEAL,
14	5199548	2	SEAL,
15	24903500	2	BEARING ASSY, 85 x 130 x 29
16	15984331	2	BOLT, Hex, M18 x 1.5 x 50, 10.9, Full Thd,
17	24903490	2	BEARING, ROLLER, TAPERED, 80 x 125 x 29
18	5198601	2	SHAFT, 112"
19	11071376	2	RING, SNAP, M90, Ext,
20	11125321	12	BOLT, Hex, M20 x 80, 8.8,
21	87306816	12	WASHER, CONE, 20 x 36 x 4.5
22	5198605	2	BUSHING,
23	5162266	2	GEAR, RING,
24	47126144	2	HUB, Incl. 25
25	47126162	8	SCREW,

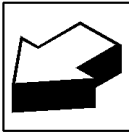
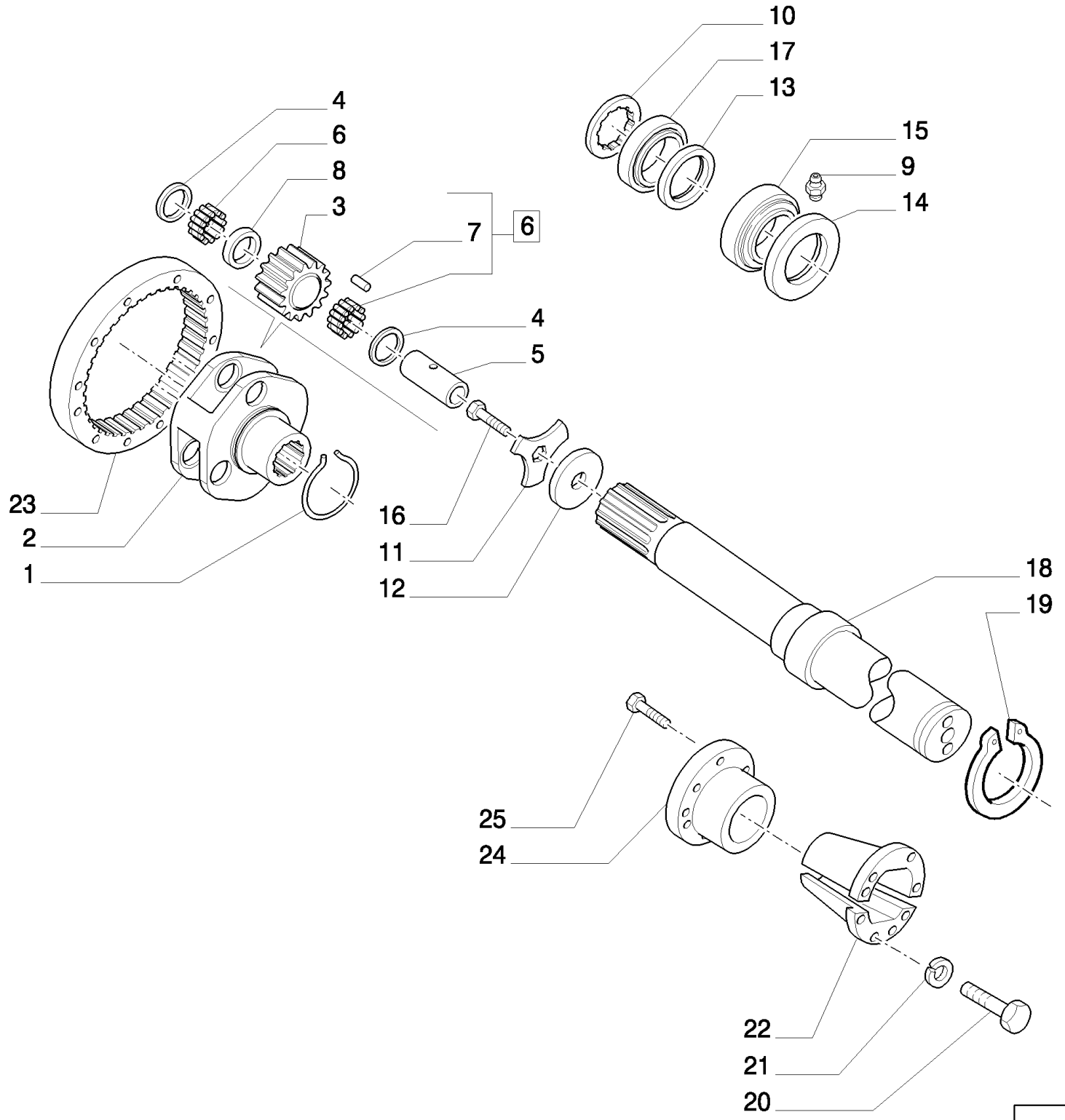
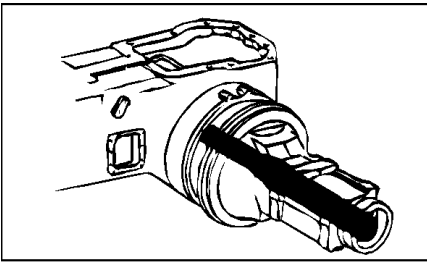


## MXM155 CASE IH TRACTOR (6/02- )

1.48.1/09 (VAR.437/1) 98" LONG AXLE FOR CAST DISC

сылка	Номер детали	Кол-во	Описание
1	4998880	2	RING, LOCKING,
2	5162271	2	SUPPORT,
3	5162282	6	GEAR, DRIVEN,
4	5145983	12	WASHER, THRUST,
5	5162172	6	PIN,
6	5102466	6	KIT, 10 NEEDLE BRGS,
7	5116733	54	NEEDLE ROLLER,
8	5102468	6	SPACER, 56 x 67.4 x 5
9	13407211	2	NIPPLE, LUBE, M10 x 1,
10	5121648	2	WASHER, THRUST,
11	5146156	2	PLATE, LOCKING,
12	5162141	2	DISC,
13	5162403	2	SEAL,
14	5199548	2	SEAL,
15	24903500	2	BEARING ASSY, 85 x 130 x 29
16	15984331	2	BOLT, Hex, M18 x 1.5 x 50, 10.9, Full Thd,
17	24903490	2	BEARING, ROLLER, TAPERED, 80 x 125 x 29
18	5198600	2	SHAFT, 98"
19	11071376	2	RING, SNAP, M90, Ext,
20	11125321	12	BOLT, Hex, M20 x 80, 8.8,
21	87306816	12	WASHER, CONE, 20 x 36 x 4.5
22	5198605	2	BUSHING,
23	5162266	2	GEAR, RING,

1.48.1/12 (VAR.437/4) 98" LONG AXLE FOR STEEL DISK

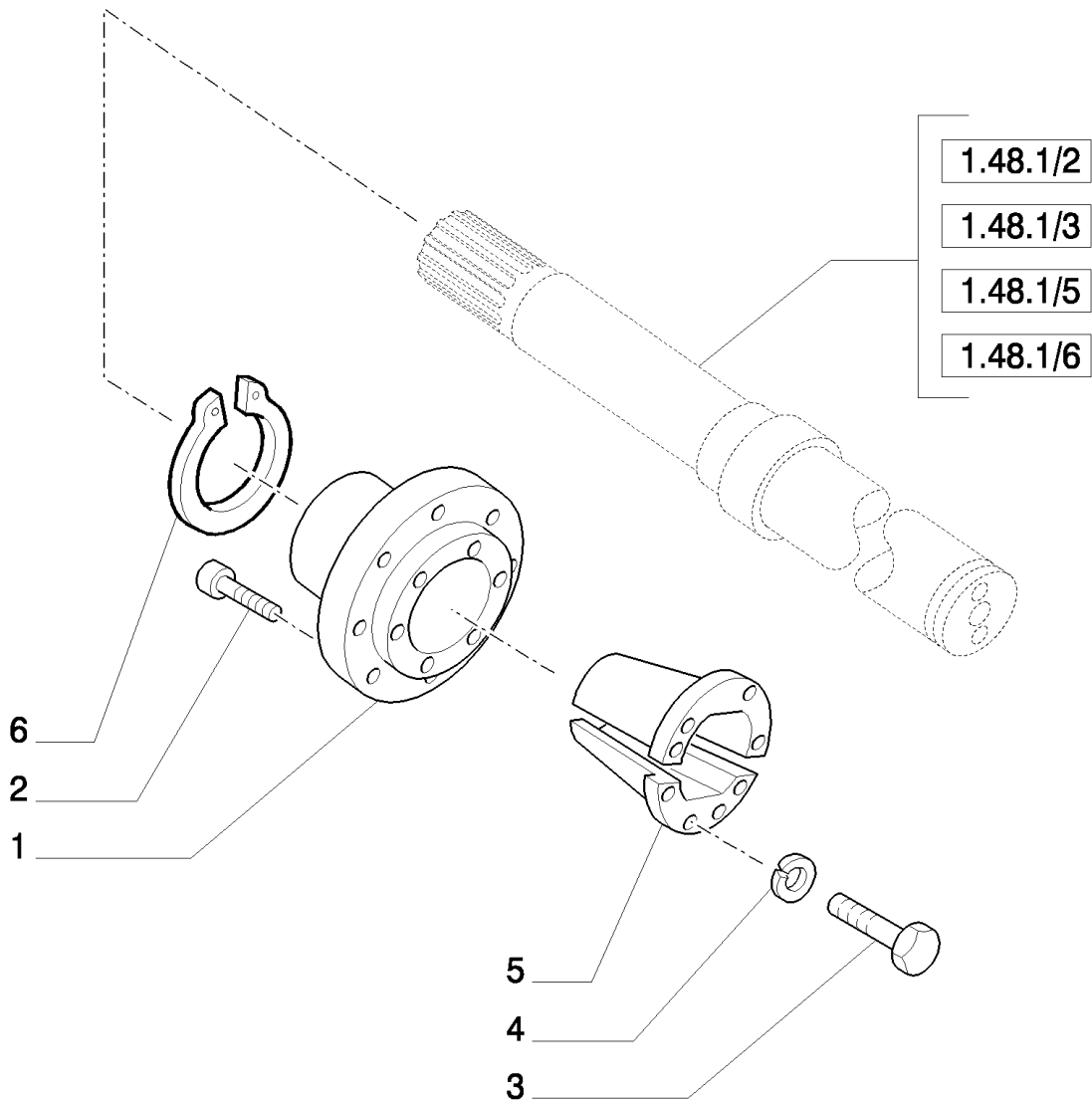
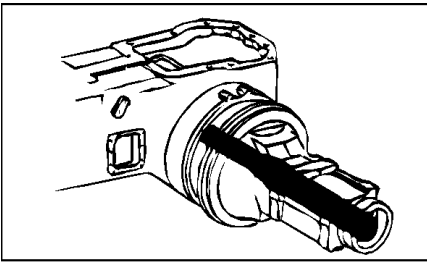


## MXM155 CASE IH TRACTOR (6/02- )

## 1.48.1/12 (VAR.437/4) 98" LONG AXLE FOR STEEL DISK

сылка	Номер детали	Кол-во	Описание
1	4998880	2	RING, LOCKING,
2	5162271	2	SUPPORT,
3	5162282	6	GEAR, DRIVEN,
4	5145983	12	WASHER, THRUST,
5	5162172	6	PIN,
6	5102466	6	KIT, 10 NEEDLE BRGS,
7	5116733	54	NEEDLE ROLLER,
8	5102468	6	SPACER,
9	13407211	2	NIPPLE, LUBE, M10 x 1,
10	5121648	2	WASHER, THRUST,
11	5146156	2	PLATE, LOCKING,
12	5162141	2	DISC,
13	5162403	2	SEAL,
14	5199548	2	SEAL,
15	24903500	2	BEARING ASSY, 85 x 130 x 29
16	15984331	2	BOLT, Hex, M18 x 1.5 x 50, 10.9, Full Thd,
17	24903490	2	BEARING, ROLLER, TAPERED, 80 x 125 x 29
18	5198600	2	SHAFT, 98"
19	11071376	2	RING, SNAP, M90, Ext,
20	11125321	12	BOLT, Hex, M20 x 80, 8.8,
21	87306816	12	WASHER, CONE, 20 x 36 x 4.5
22	5198605	2	BUSHING,
23	5162266	2	GEAR, RING,
24	47126144	2	HUB, Incl. 25
25	47126162	8	SCREW,

1.48.1/13 (VAR.438) EXTERNAL HUB FOR TWIN WHEELS WITH STEEL RIMS

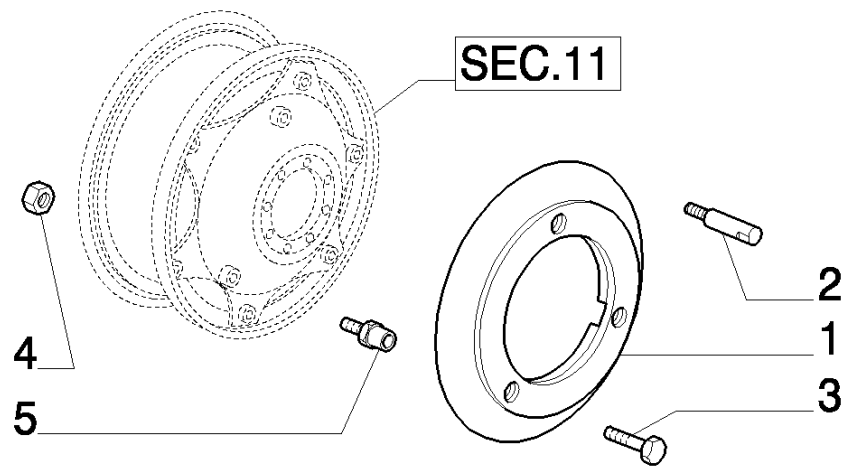
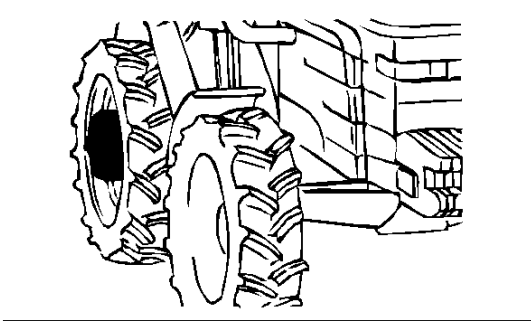


MXM155 CASE IH TRACTOR (6/02- )

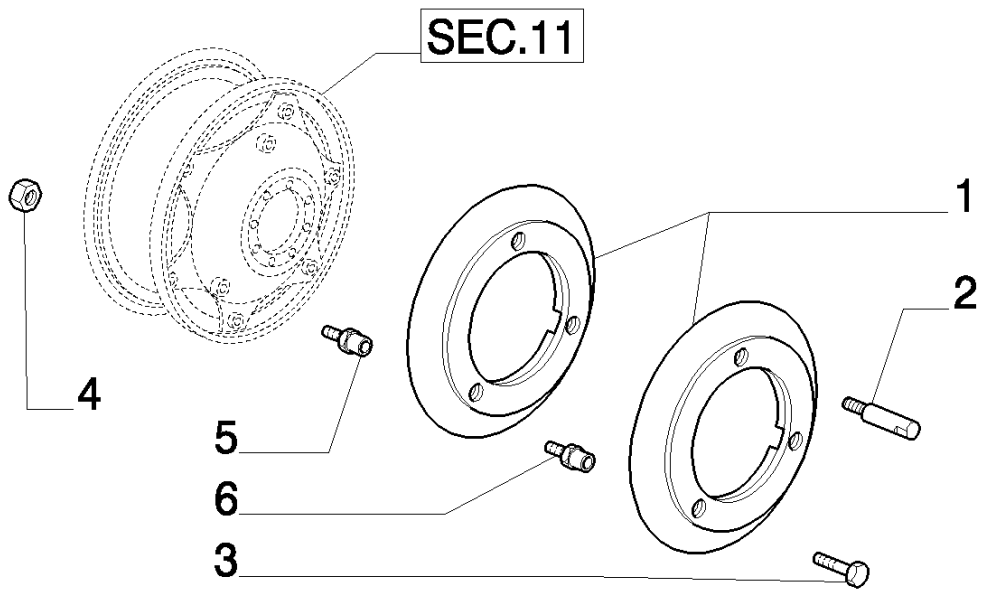
1.48.1/13 (VAR.438) EXTERNAL HUB FOR TWIN WHEELS WITH STEEL RIMS

сылка	Номер детали	Кол-во	Описание
1	47126147	2	SHAFT, MAIN,
2	47126162	8	SCREW,
3	11125121	12	BOLT, Hex, M20 x 70, 8.8,
4	87306816	12	WASHER, CONE, 20 x 36 x 4.5
5	5198605	2	BUSHING,
6	11071376	2	RING, SNAP, M90, Ext,

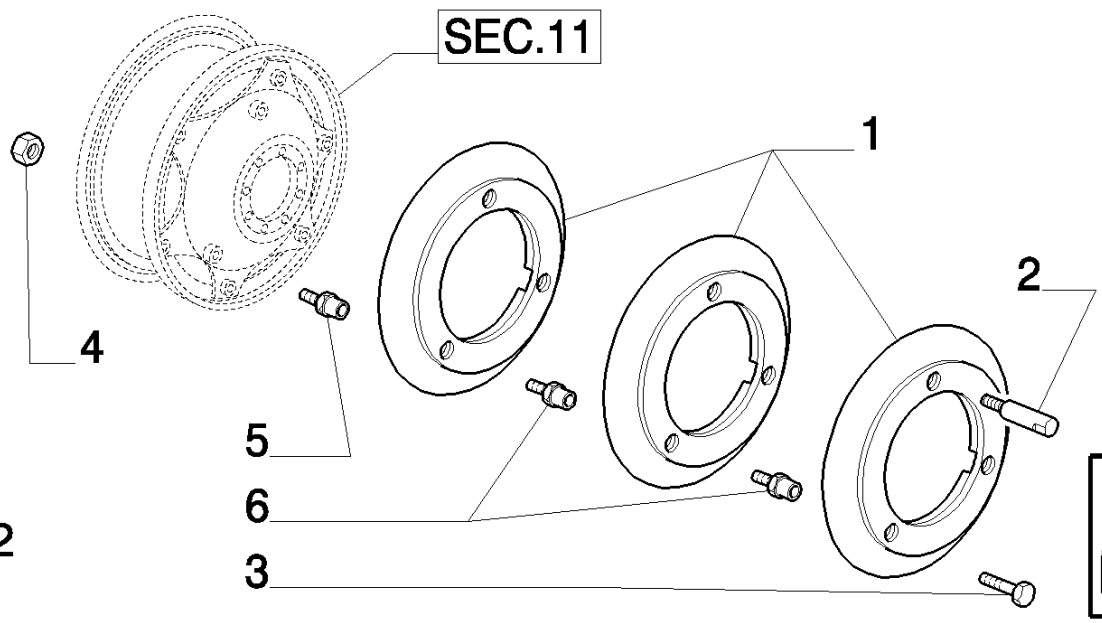




EQUIP.470



EQUIP.471



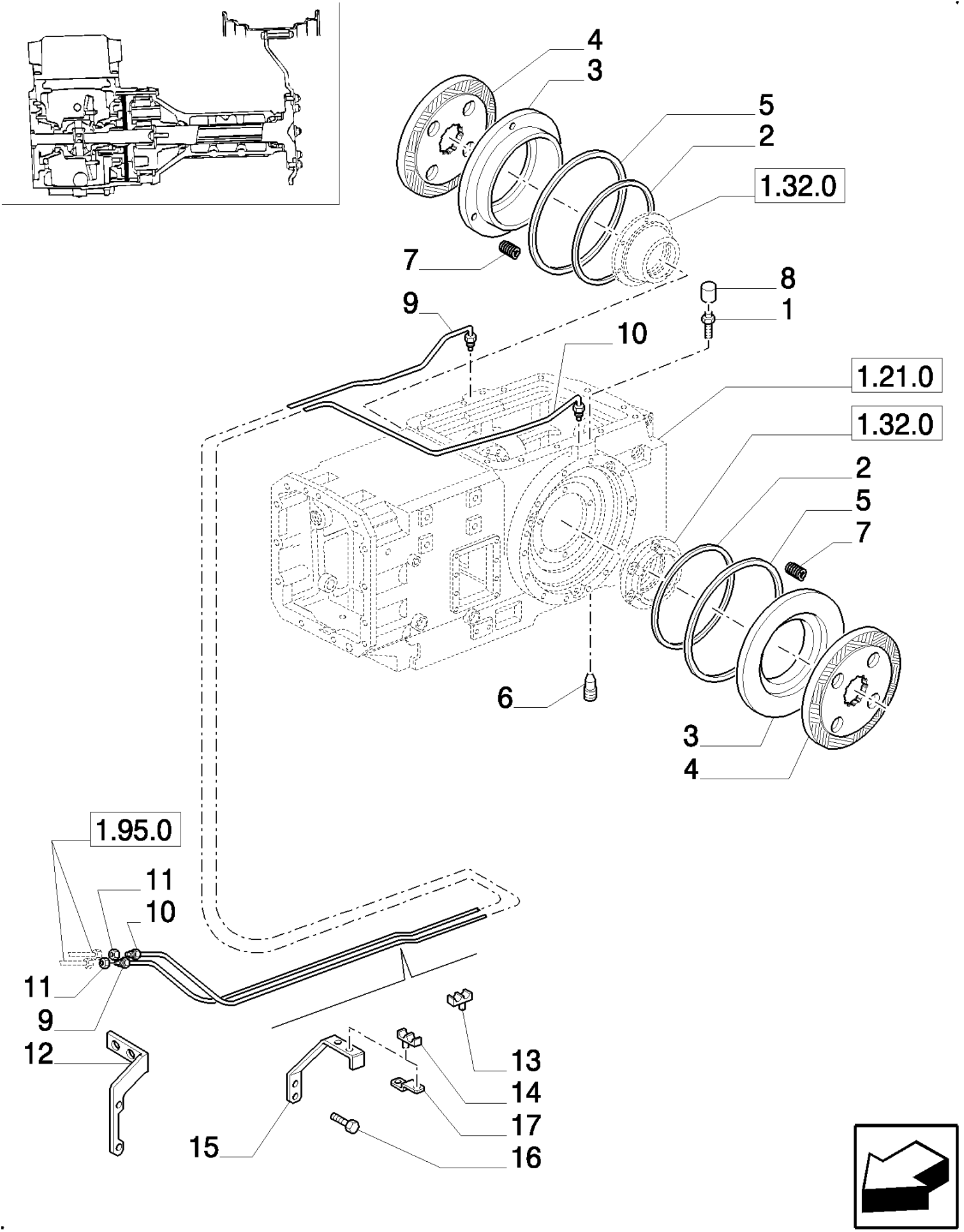
EQUIP.472

## MXM155 CASE IH TRACTOR (6/02- )

## 1.49.6 (VAR.470-471-472) REAR BALLAST FOR SHEET STEEL DISCS

сылка	Номер детали	Кол-во	Описание
1	47127369	AR	WEIGHT, , Qty 2 for Equip. 470, Qty 4 for Equip. 471, Qty 6 for Equip. 472
2	44013185	2	STUD, M16 x 1.5 x 115
3	15980524	6	BOLT, Hex, M16 x 1.5 x 30, 8.8, Full Thd,
4	12164124	6	NUT, M16 x 1.5, Cl 8,
5	44018046	6	SCREW, M16 x 1.5 x 60
6	44018047	AR	SCREW, M16 x 1.5 x 78, Qty 6 for Equip. 471, Qty 12 for Equip. 472

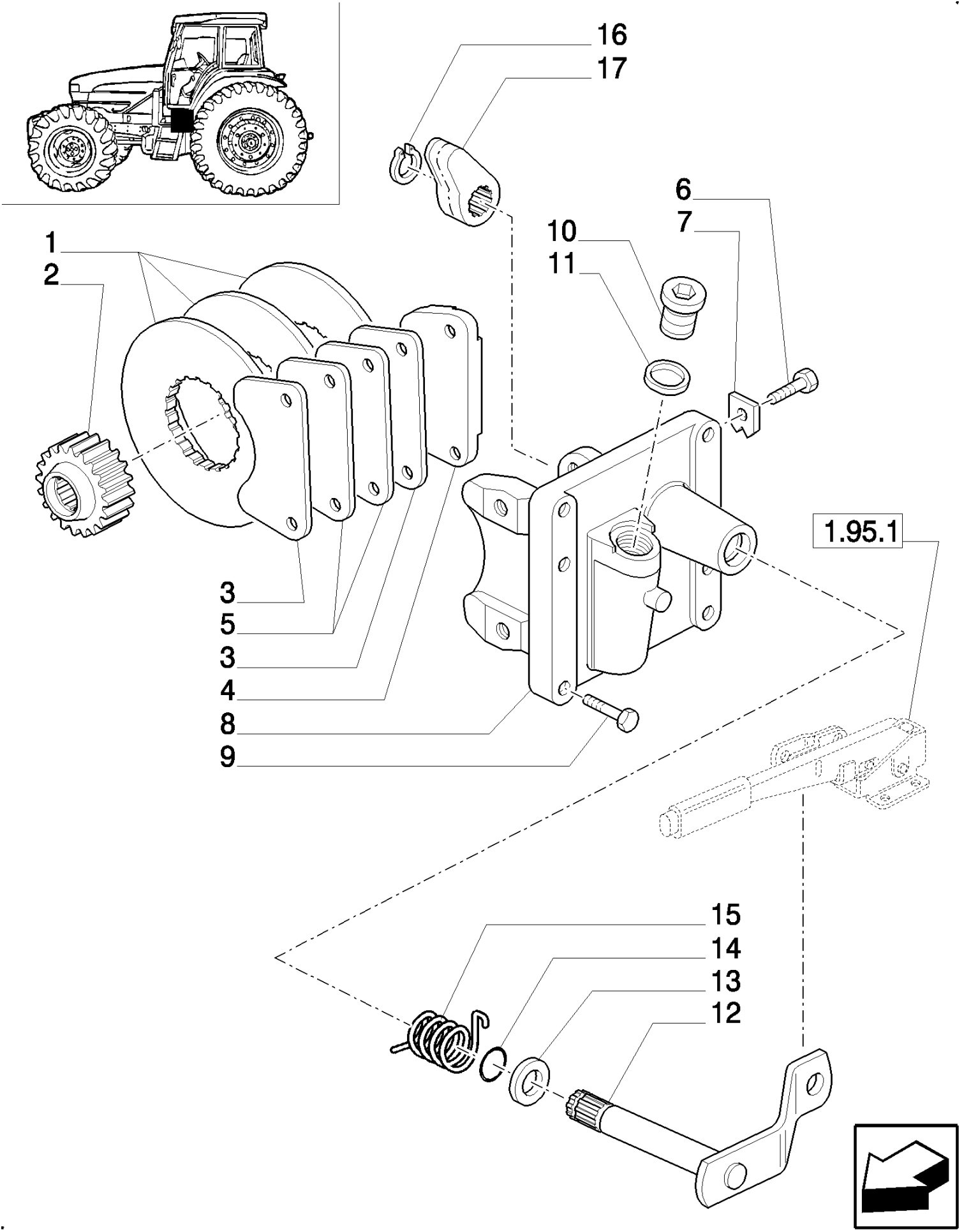
1.65.3 TRANSMISSION BRAKES



## MXM155 CASE IH TRACTOR (6/02- )

## 1.65.3 TRANSMISSION BRAKES

сылка	Номер детали	Кол-во	Описание
1	5155682	2	SCREW, BLEED, M12 x 1.25
2	5165511	2	SEAL, 259.6 x 266.4 x 3.4
3	5152350	2	RING, PRESSURE,
4	87525157	2	BRAKE DISC, Std version
4	87516068	2	BRAKE DISC, , w/trailer brake and pneumatic trailer brake version
5	5165512	2	SEAL, 329.6 x 336.4 x 3.4
6	5152383	2	PLUG, DRAIN,
7	5120761	6	SPRING,
8	5171793	2	PLUG,
9	82019071	1	TUBE, For RH Brake
10	82009308	1	BRAKE LINE, For LH Brake
11	10726621	2	NUT, Thin, M18 x 1.5, CI 05,
12	82019066	1	BRACKET,
13	14575280	1	CLIP, SPRING,
14	14575380	3	RETAINER,
15	5155805	1	COLLAR, RETAINER,
16	15853121	1	BOLT, Hex, M10 x 1.25 x 10, 8.8, Full Thd,
17	5155804	1	BRACKET,

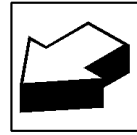
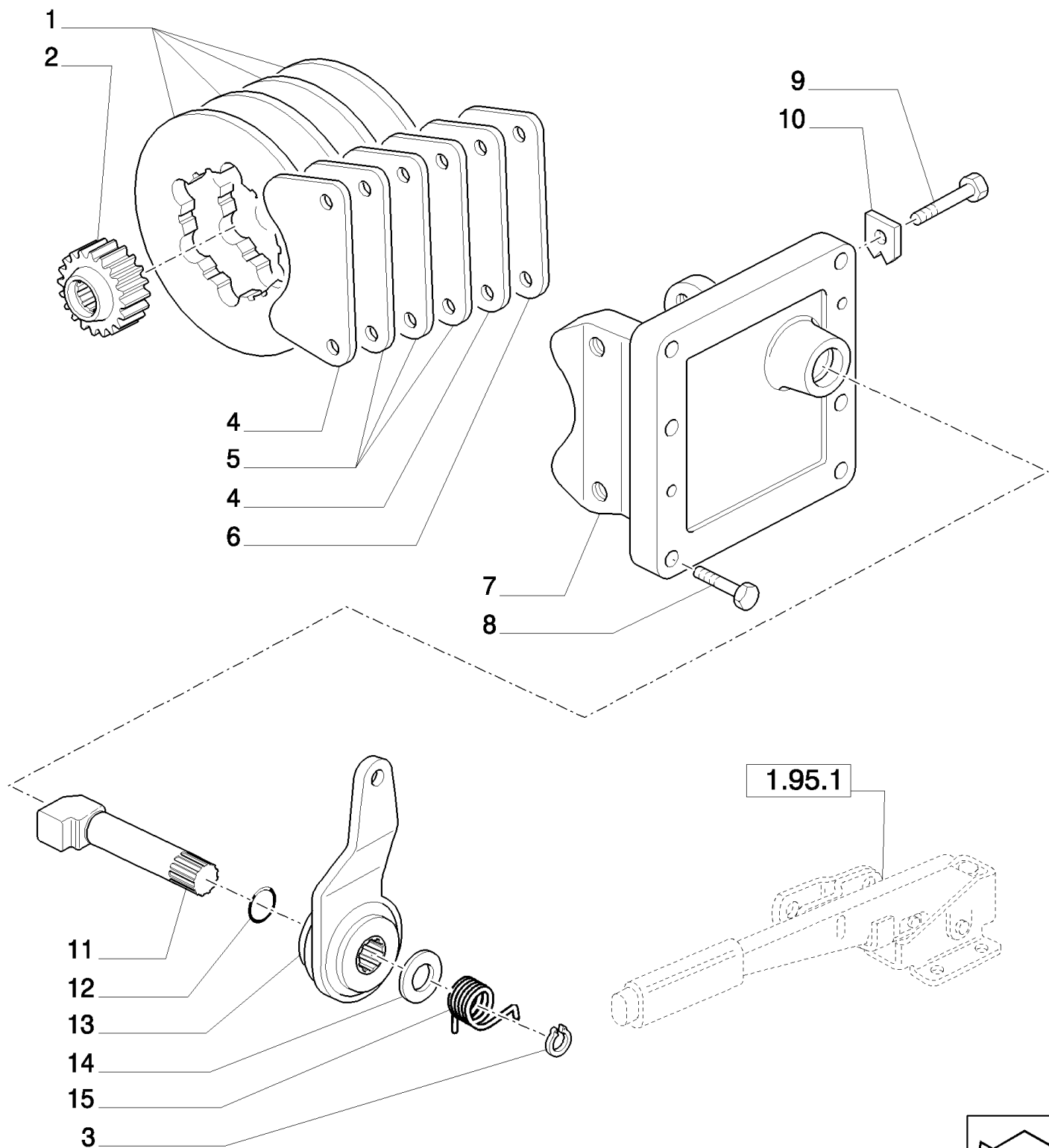
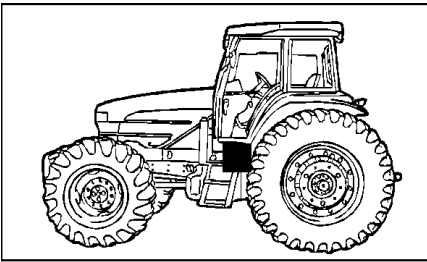


MXM155 CASE IH TRACTOR (6/02- )

1.65.5(01) BRAKES PARKING - C4806

сылка	Номер детали	Кол-во	Описание
1	5146036	3	BRAKE DISC,
2	5148453	1	HUB,
3	5158120	2	BRAKE, PAD,
4	5144692	1	SECTOR, TOOTHED,
5	5158123	2	BRAKE, PAD,
6	5146091	2	SCREW, M14 x 1.5 x 86
7	14199011	2	PLATE, LOCKING,
8	5152331	1	SUPPORT,
9	16204524	6	BOLT, Hex, M10 x 35,
10	10276140	1	PLUG, M32 x 1.5 x 15, Brass,
11	10265060	1	WASHER, COPPER, M32.4 x 38 x 1.5,
12	5165906	1	LEVER,
13	5101337	1	WASHER,
14	5135739	1	O-RING, -116, CI 9, .737" ID x .103" Thk,
15	5178904	1	SPRING,
16	11066776	1	RING, SNAP, M19, Ext,
17	5146001	1	LEVER,

C4806 Before Date 14 May, 2002.



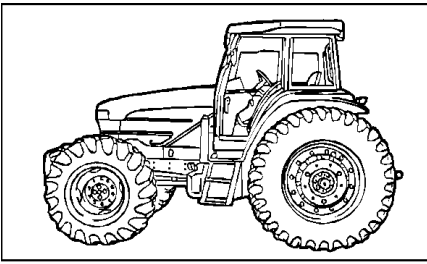
MXM155 CASE IH TRACTOR (6/02- )

1.65.5(01A) BRAKES PARKING - D4806


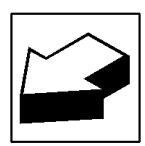
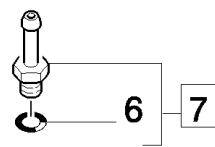
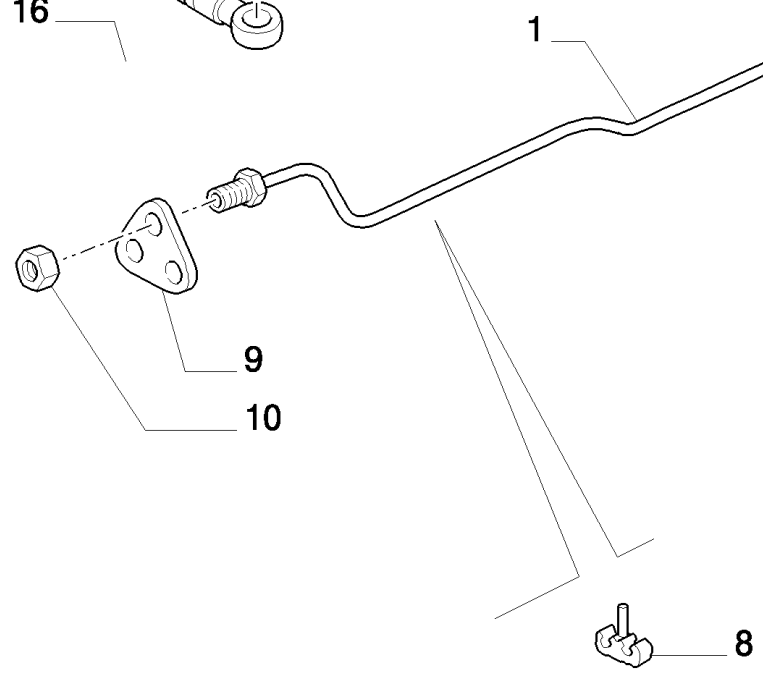
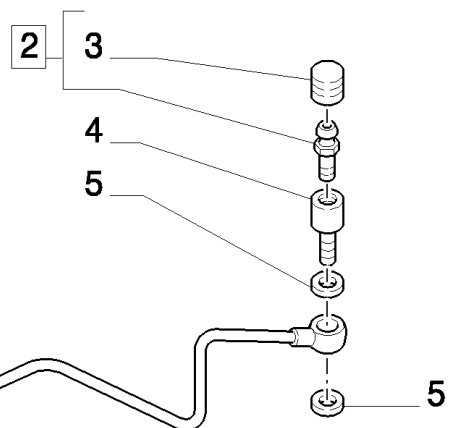
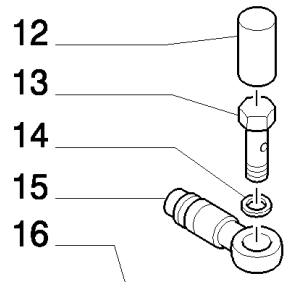
сылка	Номер детали	Кол-во	Описание
1	47127225	4	BRAKE DISC,
2	5148453	1	HUB,
3	11067676	1	RING, SNAP, M28, Ext,
4	5199607	2	PLATE,
5	5199788	3	SECTOR, TOOTHED,
6	47127226	1	BRAKE SHOE,
7	47127186	1	SUPPORT,
8	16204524	6	BOLT, Hex, M10 x 35,
9	47127227	2	SCREW,
10	14199011	2	PLATE, LOCKING,
11	47127313	1	LEVER,
12	14458081	1	O-RING, -122, CI 7, 1.112" ID x .103" Thk,
13	47133568	1	LEVER,
14	5198146	1	RING,
15	5196845	1	SPRING,

D4806 After Date 14 May, 2002.





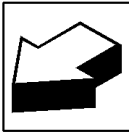
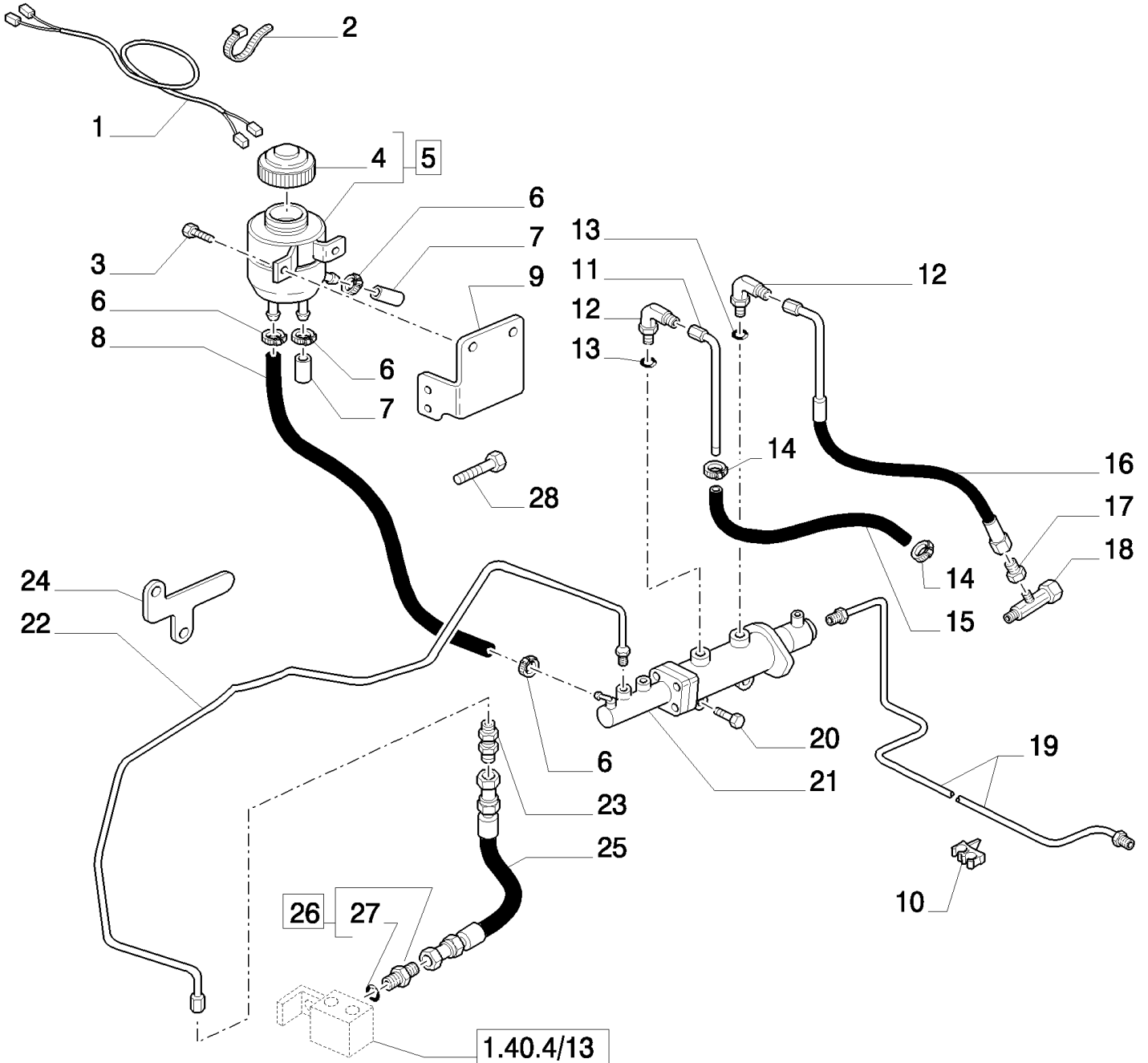
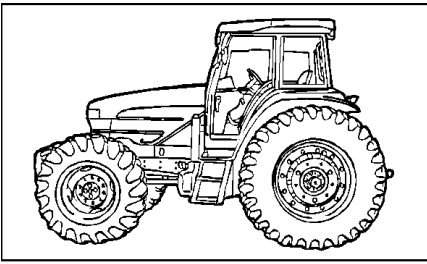
11

A rectangular box containing three warning icons: a triangle with an exclamation mark and a hand being cut, the word "MAX" with two downward arrows and a thick underline, and a triangle with a drop of oil.

## MXM155 CASE IH TRACTOR (6/02- )

## 1.68.5/01(01) (VAR.452) 4WD FRONT AXLE WITH BRAKES FOR TERRALOCK - BRAKE PIPES

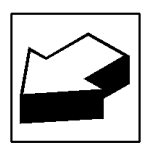
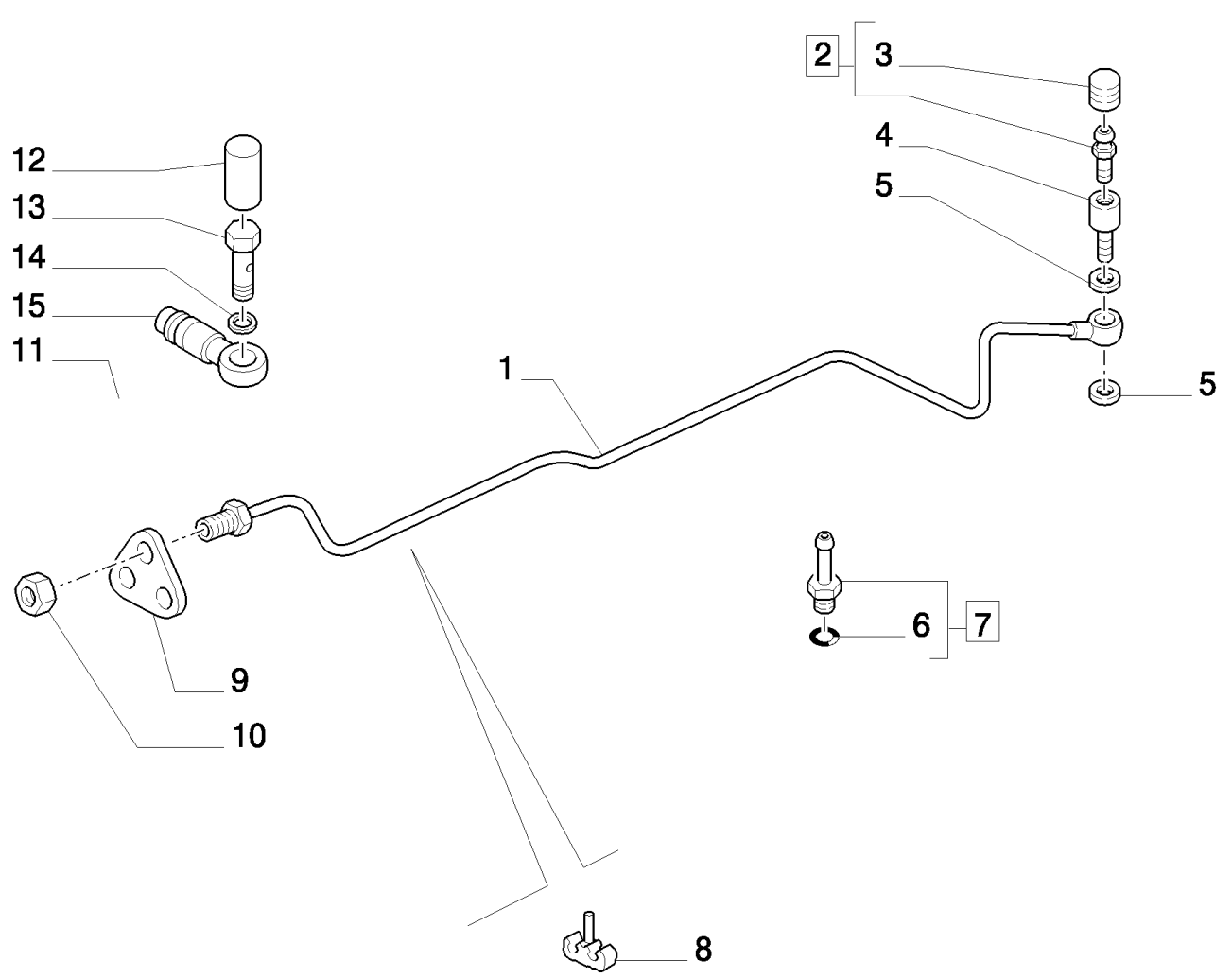
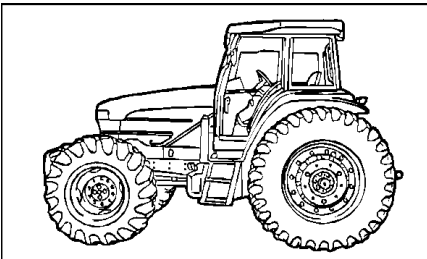
сылка	Номер детали	Кол-во	Описание
1	82016065	1	BRAKE LINE, (MXM120, MXM130, MXM140, MXM155)
1	82031957	1	HOSE, FLEXIBLE, (MXM175, MXM190)
2	81874592	1	SCREW, BLEED,
3	81871475	1	COVER,
4	82018915	1	BOLT, BANJO,
5	10261060	2	WASHER, COPPER, M12.2 x 16 x 1.5,
6	14437885	1	O-RING, 13.3MM ID x 2.4 Thk,
7	82016256	1	CONNECTOR, HYD.,
8	14575380	1	RETAINER,
9	82019072	1	SUPPORT,
10	10726621	1	NUT, Thin, M18 x 1.5, CI 05,
11	82013371	1	DECAL,
12	44995074	1	PLUG,
13	5121685	1	BOLT, BANJO,
14	5183780	1	WASHER, SEALING,
15	82030175	1	VALVE,
16	82030788	1	SHIELD,



## MXM155 CASE IH TRACTOR (6/02- )

## 1.68.5/01(02) (VAR.452) 4WD FRONT AXLE WITH BRAKES FOR TERRALOCK - BRAKE PIPES

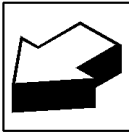
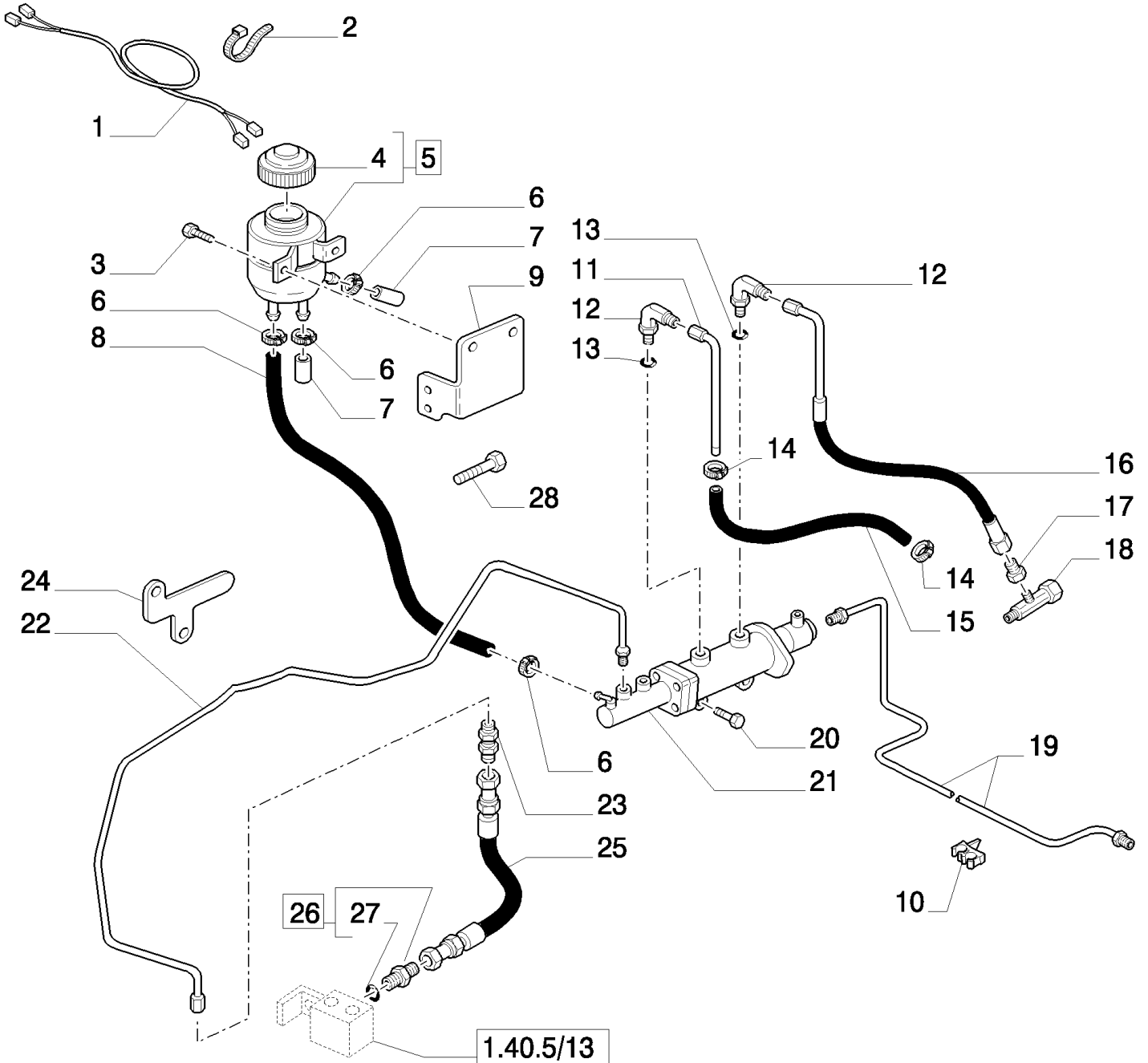
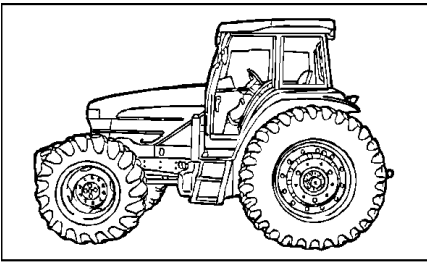
сылка	Номер детали	Кол-во	Описание
1	82015485	1	CABLE, ELECTRIC,
2	529070	6	STRAP, CABLE, .30" x 14.5",
3	82880748	2	SCREW, Pan Hd, M6 x 2 x 14
4	82007886	1	PLUG,
5	82007885	1	RESERVOIR, BRAKE FLUID,
6	81864605	AR	CLAMP, HOSE,
7	81871497	2	COVER,
8	81871879	1	HOSE,
9	82018586	1	BRACKET,
10	81863745	1	CLIP,
11	82014177	1	BRAKE LINE,
12	5158418	2	ELBOW,
13	14437885	2	O-RING, 13.3MM ID x 2.4 Thk,
14	82039341	4	CLAMP, HOSE,
15	82016255	1	HOSE, FLEXIBLE,
16	82014176	1	HOSE, FLEXIBLE,
17	5155718	1	ADAPTER,
18	5158234	1	TEE,
19	82016066	1	BRAKE LINE,
20	11106221	2	BOLT, Hex, M10 x 25, 8.8, Full Thd,
21	82014086	1	VALVE, HYDRAULIC,
22	82018643	1	BRAKE LINE,
23	82023790	1	ADAPTER,
24	82026165	1	BRACKET,
25	82016545	1	BRAKE LINE,
26	82015298	1	CONNECTOR, HYD.,
27	83999938	1	SEAL, 15.7 x 20.9 x 1.5
28	10979424	2	BOLT, Hex, M6 x 10, 8.8, Full Thd,



## MXM155 CASE IH TRACTOR (6/02- )

1.68.5/02(01) (VAR.452/1) 4WD FRONT AXLE WITH SUSPENSIONS, BRAKE, TERRALOCK, SPS - BRAKE PIPES

сылка	Номер детали	Кол-во	Описание
1	82016065	1	BRAKE LINE,
2	81874592	1	SCREW, BLEED,
3	81871475	1	COVER,
4	82018915	1	BOLT, BANJO,
5	10261060	2	WASHER, COPPER, M12.2 x 16 x 1.5,
6	14437885	1	O-RING, 13.3MM ID x 2.4 Thk,
7	82016256	1	CONNECTOR, HYD.,
8	14575380	1	RETAINER,
9	82019072	1	SUPPORT,
10	10726621	1	NUT, Thin, M18 x 1.5, CI 05,
11	82030788	1	SHIELD,
12	44995074	1	PLUG,
13	5121685	1	BOLT, BANJO,
14	5183780	1	WASHER, SEALING,
15	82030175	1	VALVE,

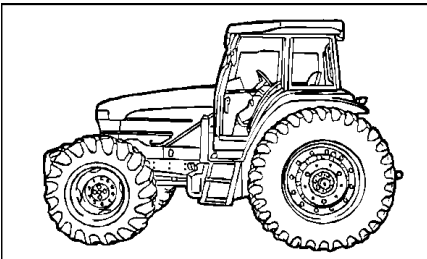


## MXM155 CASE IH TRACTOR (6/02-)

1.68.5/02(02) (VAR.452/1) 4WD FRONT AXLE WITH SUSPENSIONS, BRAKE, TERRALOCK, SPS - BRAKE PIPES

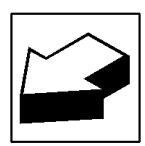
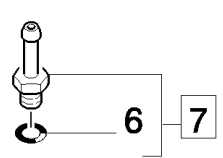
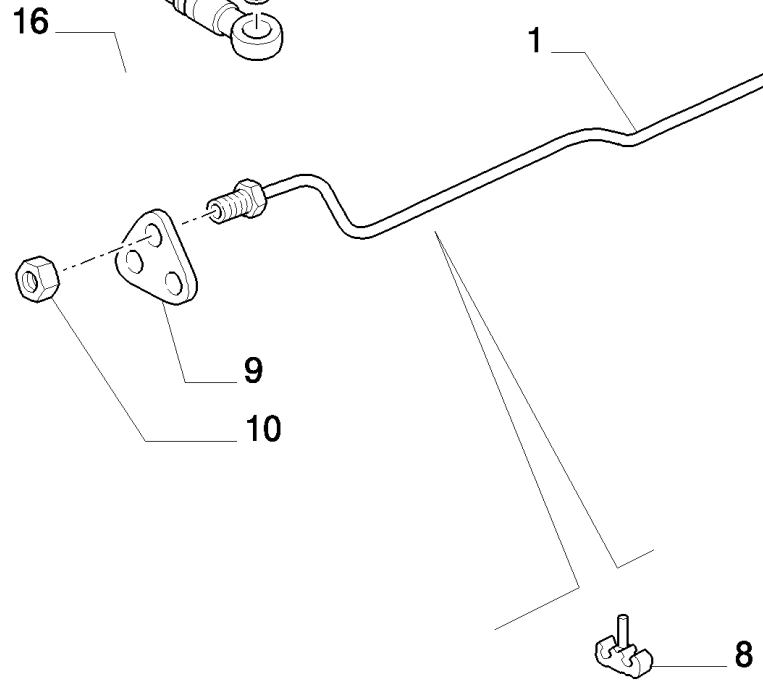
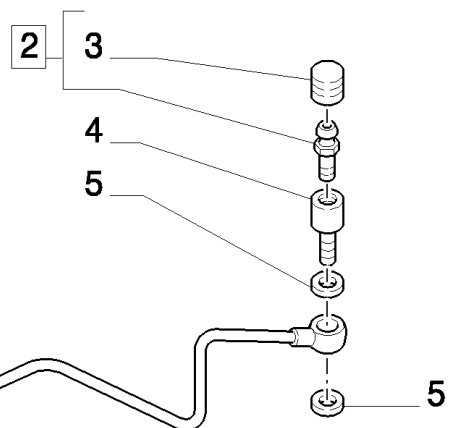
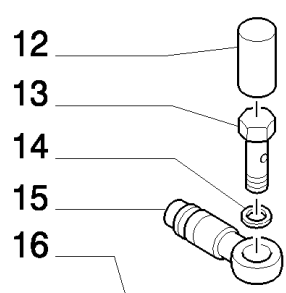
сылка	Номер детали	Кол-во	Описание
1	82015485	1	CABLE, ELECTRIC,
2	529070	6	STRAP, CABLE, .30" x 14.5",
3	82880748	2	SCREW, Pan Hd, M6 x 2 x 14
4	82007886	1	PLUG,
5	82007885	1	RESERVOIR, BRAKE FLUID,
6	81864605	AR	CLAMP, HOSE,
7	81871497	2	COVER,
8	81871879	1	HOSE,
9	82018586	1	BRACKET,
10	81863745	1	CLIP,
11	82014177	1	BRAKE LINE,
12	5158418	2	ELBOW,
13	14437885	2	O-RING, 13.3MM ID x 2.4 Thk,
14	82039341	4	CLAMP, HOSE,
15	82016255	1	HOSE, FLEXIBLE,
16	82014176	1	HOSE, FLEXIBLE,
17	5155718	1	ADAPTER,
18	5158234	1	TEE,
19	82016066	1	BRAKE LINE,
20	11106221	2	BOLT, Hex, M10 x 25, 8.8, Full Thd,
21	82014086	1	VALVE, HYDRAULIC,
22	82018643	1	BRAKE LINE,
23	82023790	1	ADAPTER,
24	82026165	1	BRACKET,
25	82016545	1	BRAKE LINE,
26	82015298	1	CONNECTOR, HYD.,
27	83999938	1	SEAL, 15.7 x 20.9 x 1.5
28	10979424	2	BOLT, Hex, M6 x 10, 8.8, Full Thd,





11

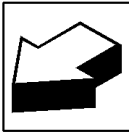
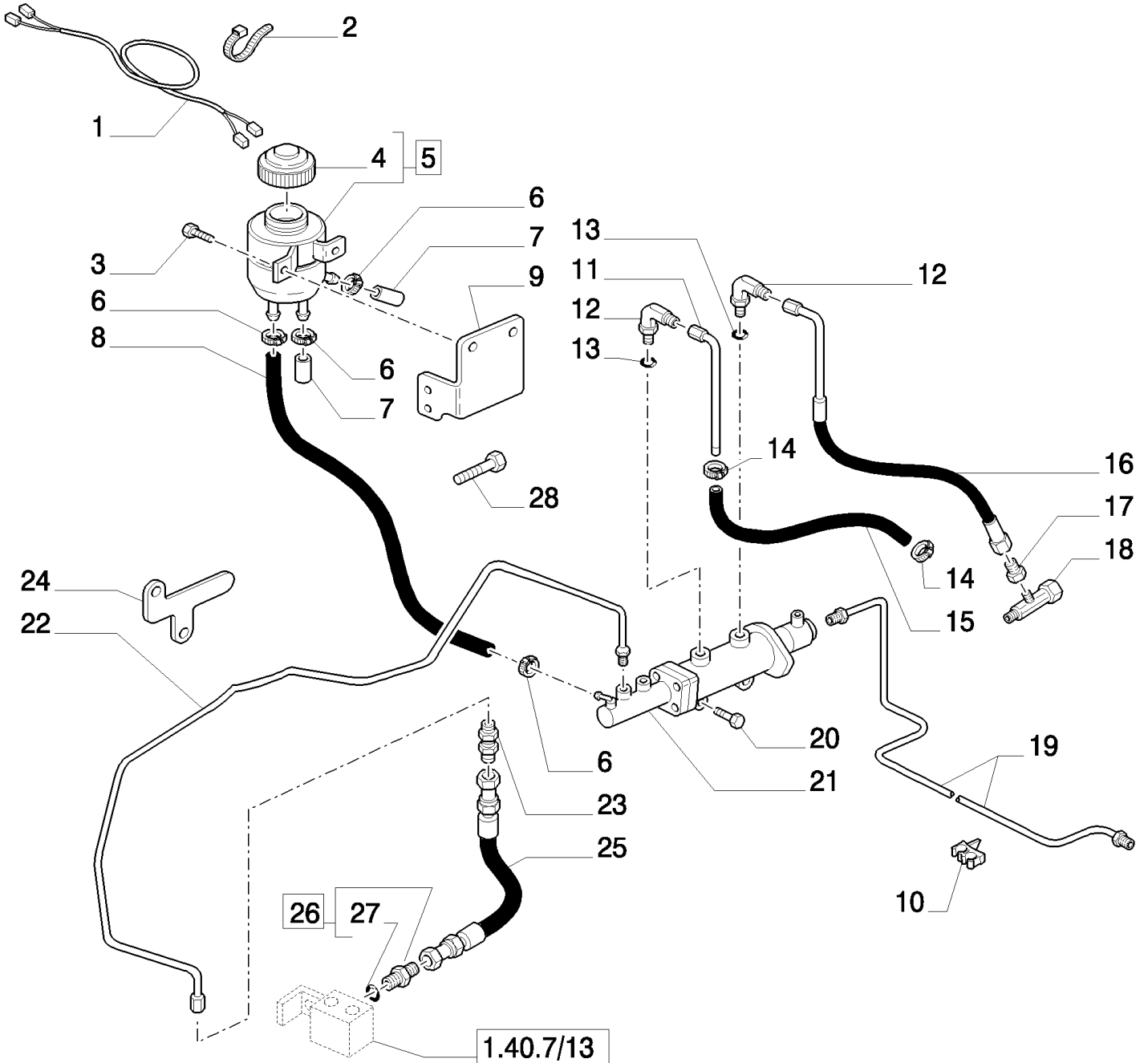
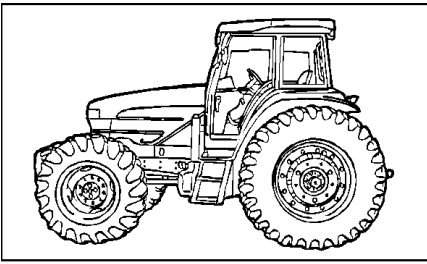
	<b>MAX</b>	
--	------------	--



## MXM155 CASE IH TRACTOR (6/02- )

1.68.5/03(01) (VAR.463/1) 4WD FRONT AXLE WITH SUSPENSIONS, BRAKE, TERRALOCK, FPS - BRAKE PIPES

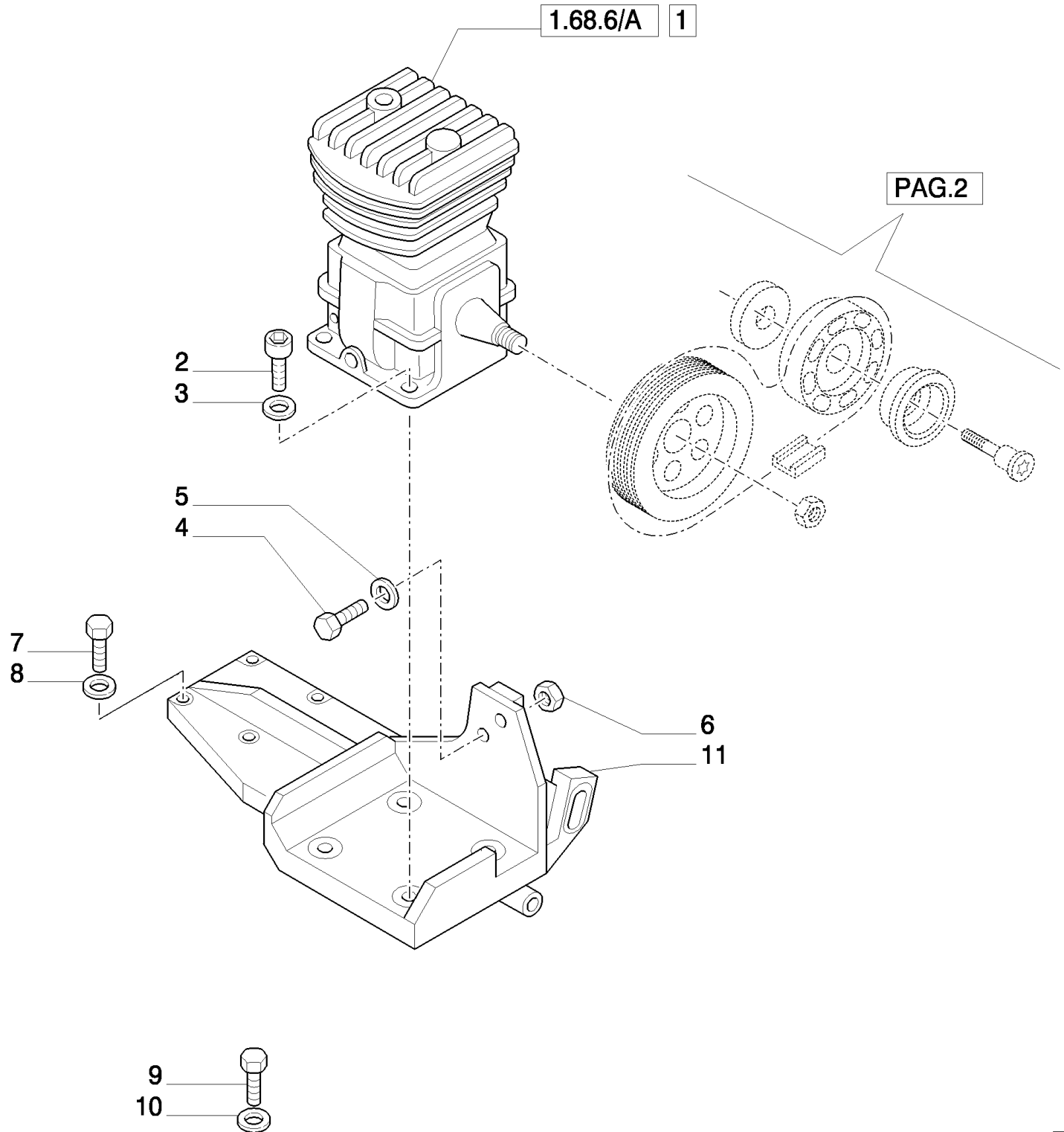
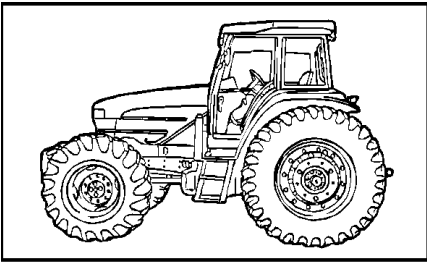
сылка	Номер детали	Кол-во	Описание
1	82016065	1	BRAKE LINE, (MXM120, MXM130, MXM140, MXM155)
1	82031957	1	HOSE, FLEXIBLE, (MXM175, MXM190)
2	81874592	1	SCREW, BLEED,
3	81871475	1	COVER,
4	82018915	1	BOLT, BANJO,
5	10261060	2	WASHER, COPPER, M12.2 x 16 x 1.5,
6	14437885	1	O-RING, 13.3MM ID x 2.4 Thk,
7	82016256	1	CONNECTOR, HYD.,
8	14575380	1	RETAINER,
9	82019072	1	SUPPORT,
10	10726621	1	NUT, Thin, M18 x 1.5, CI 05,
11	82013371	1	DECAL,
12	44995074	1	PLUG,
13	5121685	1	BOLT, BANJO,
14	5183780	1	WASHER, SEALING,
15	82030175	1	VALVE,
16	82030788	1	SHIELD,



## MXM155 CASE IH TRACTOR (6/02-)

1.68.5/03(02) (VAR.463/1) 4WD FRONT AXLE WITH SUSPENSIONS, BRAKE, TERRALOCK, FPS - BRAKE PIPES

сылка	Номер детали	Кол-во	Описание
1	82015485	1	CABLE, ELECTRIC,
2	529070	6	STRAP, CABLE, .30" x 14.5",
3	82880748	2	SCREW, Pan Hd, M6 x 2 x 14
4	82007886	1	PLUG,
5	82007885	1	RESERVOIR, BRAKE FLUID,
6	81864605	AR	CLAMP, HOSE,
7	81871497	2	COVER,
8	81871879	1	HOSE,
9	82018586	1	BRACKET,
10	81863745	1	CLIP,
11	82014177	1	BRAKE LINE,
12	5158418	2	ELBOW,
13	14437885	2	O-RING, 13.3MM ID x 2.4 Thk,
14	82039341	4	CLAMP, HOSE,
15	82016255	1	HOSE, FLEXIBLE,
16	82014176	1	HOSE, FLEXIBLE,
17	5155718	1	ADAPTER,
18	5158234	1	TEE,
19	82016066	1	BRAKE LINE,
20	11106221	2	BOLT, Hex, M10 x 25, 8.8, Full Thd,
21	82014086	1	VALVE, HYDRAULIC,
22	82018643	1	BRAKE LINE,
23	82023790	1	ADAPTER,
24	82026165	1	BRACKET,
25	82023776	1	HOSE, FLEXIBLE,
26	82015298	1	CONNECTOR, HYD.,
27	83999938	1	SEAL, 15.7 x 20.9 x 1.5
28	10979424	2	BOLT, Hex, M6 x 10, 8.8, Full Thd,

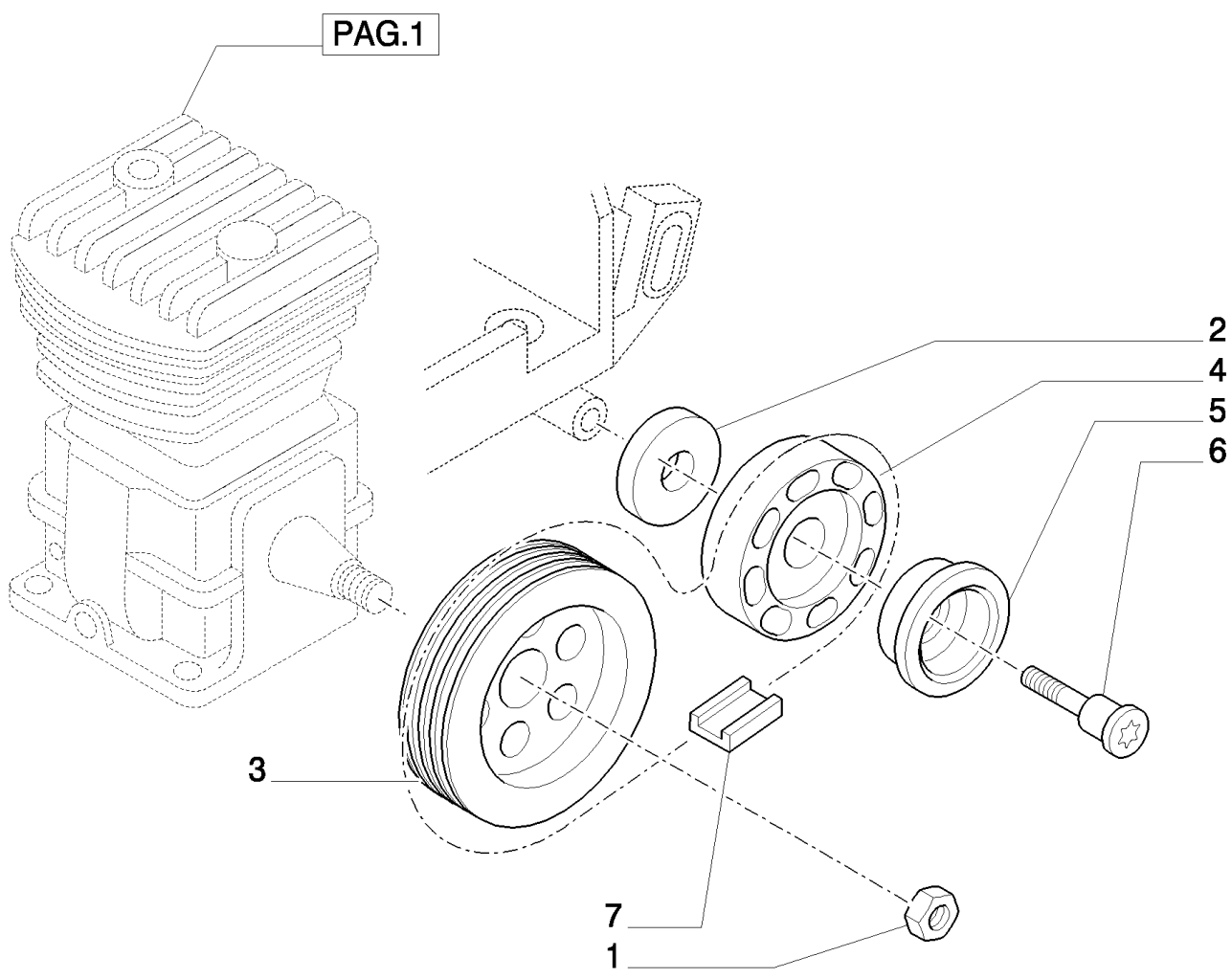
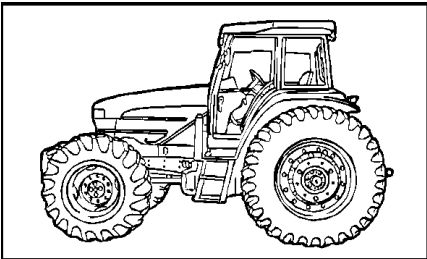


MXM155 CASE IH TRACTOR (6/02- )

1.68.6(01) (VAR.178) TRAILER AIR BRAKE UK - BRACKET FOR AIR COMPRESSOR

сылка	Номер детали	Кол-во	Описание
1	82003029	1	COMPRESSOR, AIR, Assy
2	14306624	4	SCREW, Hex Soc Hd, M8 x 35, 10.9,
3	80080681	4	WASHER, LOCK, 5/16"
4	16204724	2	BOLT, Hex, M10 x 45,
5	12605671	2	WASHER, LOCK, Int Tooth, M10,
6	12164714	2	NUT, M10 x 1.25, CI 8,
7	15213321	4	BOLT, Hex, M8 x 35, 8.8,
8	14496504	4	WASHER, M8 x 17 x 1.6,
9	81865025	1	BOLT, HH, M10 x 1.5 x 65, CL 8.8
10	100016	1	NUT, M10, CI 8,
11	82024883	1	BRACKET, , -C5557
11	87344521	1	BRACKET, , D5557-

D5557 After Date 31 October 2006

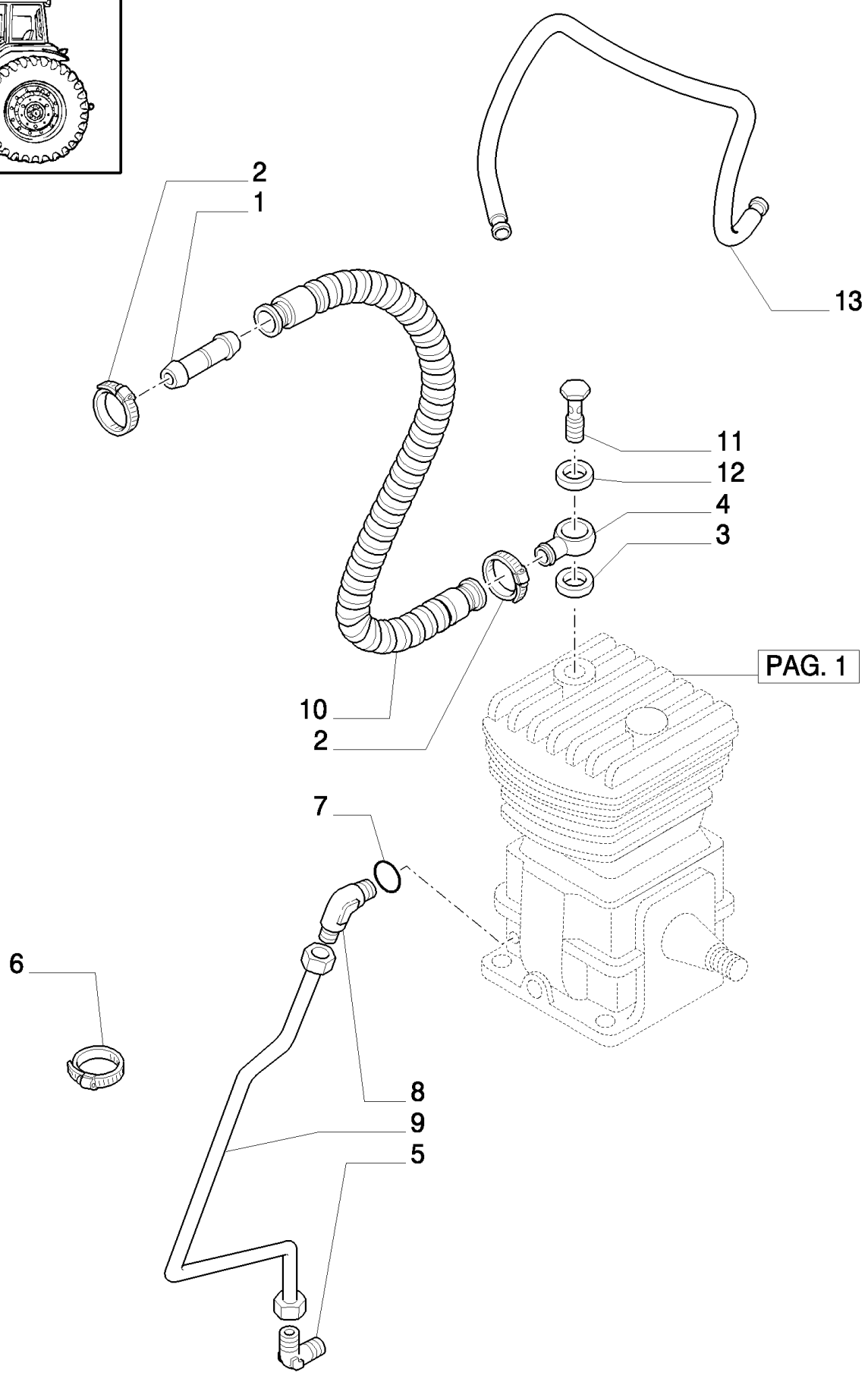
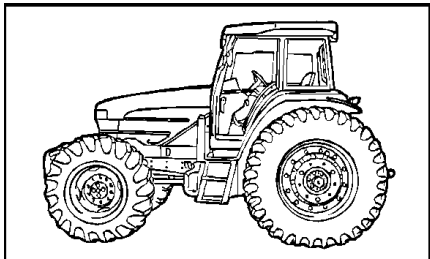


MXM155 CASE IH TRACTOR (6/02- )

1.68.6(02) (VAR.178) TRAILER AIR BRAKE UK - TRANSMISSION BRAKE PULLEY

сылка	Номер детали	Кол-во	Описание
1	14088711	1	NUT, M12 x 1.25
2	82024061	1	SPACER,
3	82020926	1	PULLEY,
4	82024062	1	IDLER,
5	87840420	1	COVER,
6	82024060	1	SCREW, M12 x 1.25 x 60
7	82021010	1	BELT,



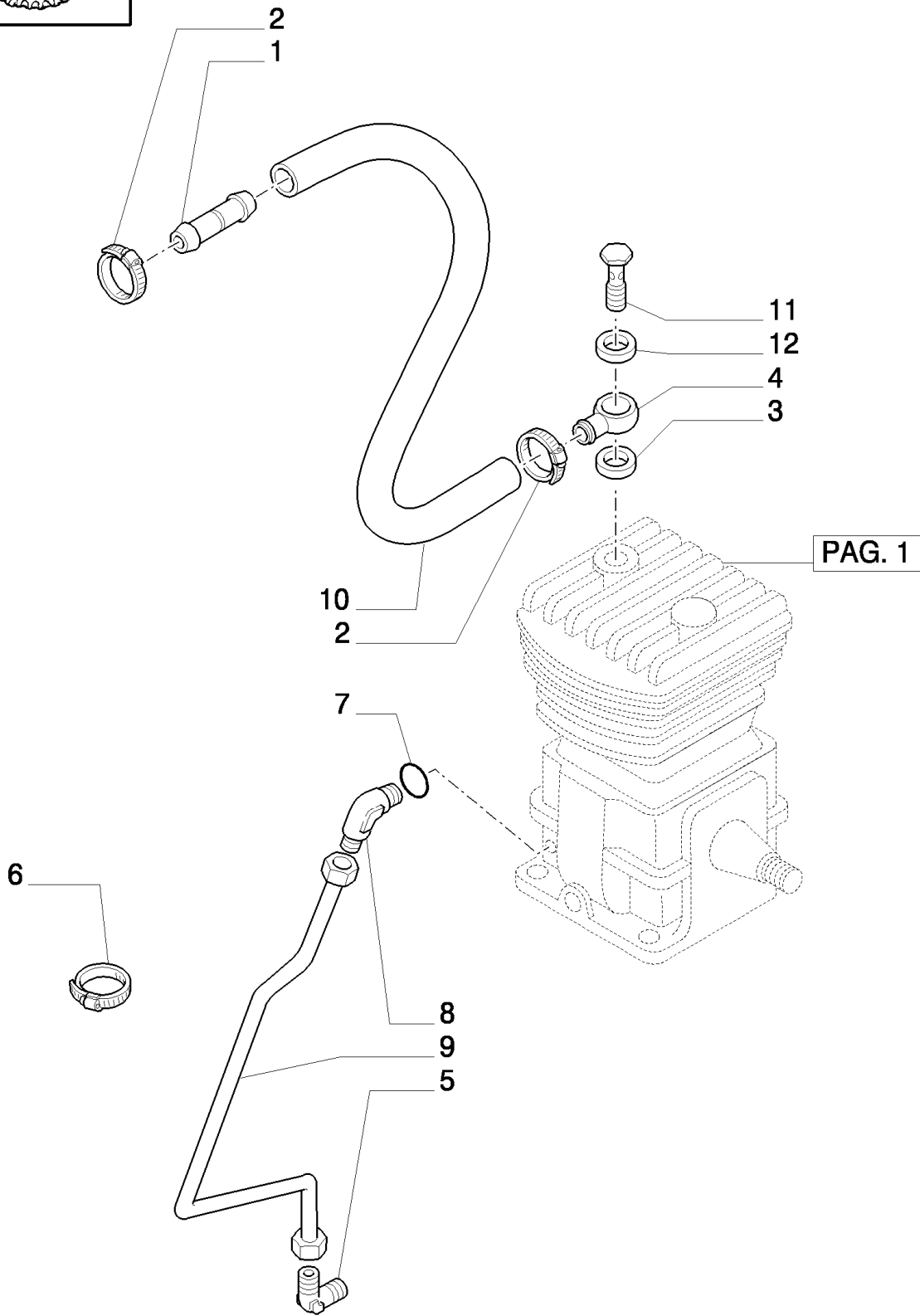
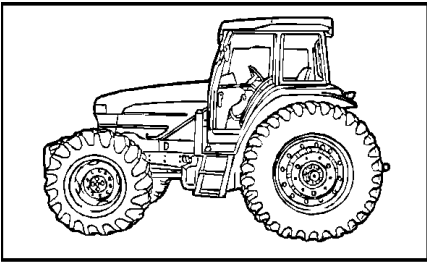


MXM155 CASE IH TRACTOR (6/02- )

1.68.6(03) (VAR.178) TRAILER AIR BRAKE UK - PIPES - C5419

сылка	Номер детали	Кол-во	Описание
1	82019397	1	FITTING,
2	82036709	3	CLAMP, HOSE,
3	82031550	1	BOLT, BANJO, M26 x 1.5
4	82031552	1	WASHER, COPPER, M26 x 32 x 1.5
5	86512947	1	ELBOW, 90°, 7/16"-20, 37° x 1/8"-27, NPTF,
6	263117	2	STRAP, CABLE, .14" x 11 1/2",
7	14437585	1	O-RING, 8MM ID x 1.5 Thk,
8	82002502	1	ELBOW,
9	82020927	1	TUBE, , BSN ACM262152
9	87349039	1	TUBE, , ASN ACM262153
10	82033110	1	HOSE, FLEXIBLE, , -C5221
11	82031551	1	FITTING, M26 x 1.5
12	82032018	1	SPACER, M26
13	87346075	1	HOSE, FLEXIBLE, , D5221-

D5221 After Date 01 August 2005 D5333 Serial N.ACM262153 C5419 Serial N.ACM275356

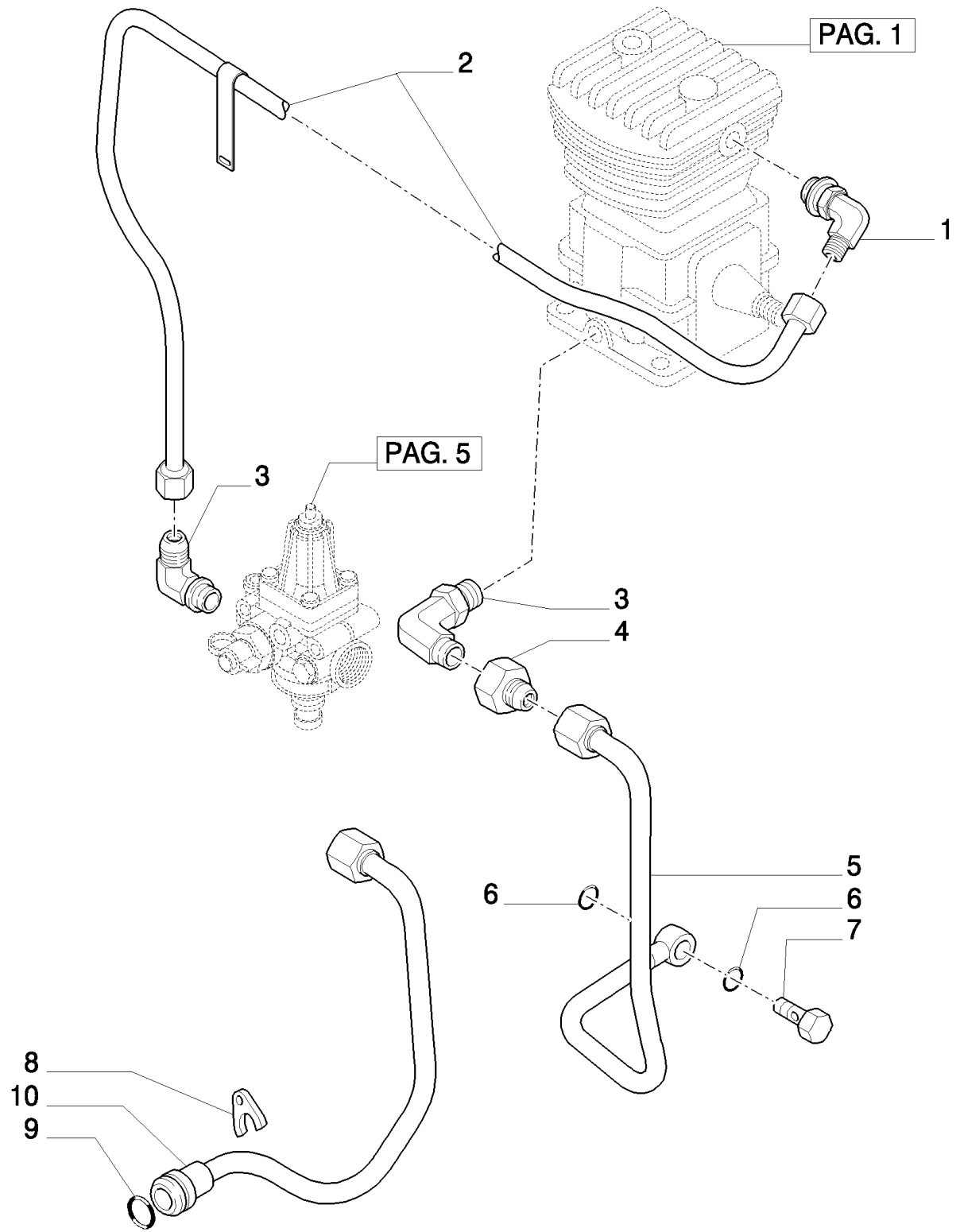
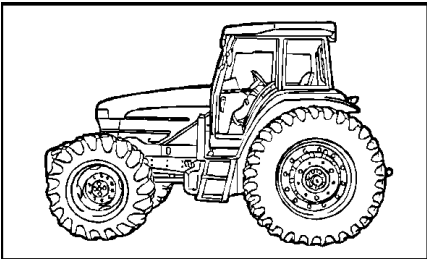


MXM155 CASE IH TRACTOR (6/02- )

1.68.6(03A) (VAR.178) TRAILER AIR BRAKE UK - PIPES - D5419

сылка	Номер детали	Кол-во	Описание
1	82019397	1	FITTING,
2	82036709	3	CLAMP, HOSE,
3	82031550	1	BOLT, BANJO, M26 x 1.5
4	82031552	1	WASHER, COPPER, M26 x 32 x 1.5
5	86512947	1	ELBOW, 90°, 7/16"-20, 3/8" x 1/8"-27, NPTF,
6	263117	2	STRAP, CABLE, .14" x 11 1/2",
7	14437585	1	O-RING, 8MM ID x 1.5 Thk,
8	82002502	1	ELBOW,
9	87349039	1	TUBE,
10	87392969	1	HOSE, FLEXIBLE,
11	82031551	1	FITTING, M26 x 1.5
12	82032018	1	SPACER, M26

D5221 After Date 01 August 2005 D5333 Serial N.ACM262153 D5419 Serial N.ACM275357

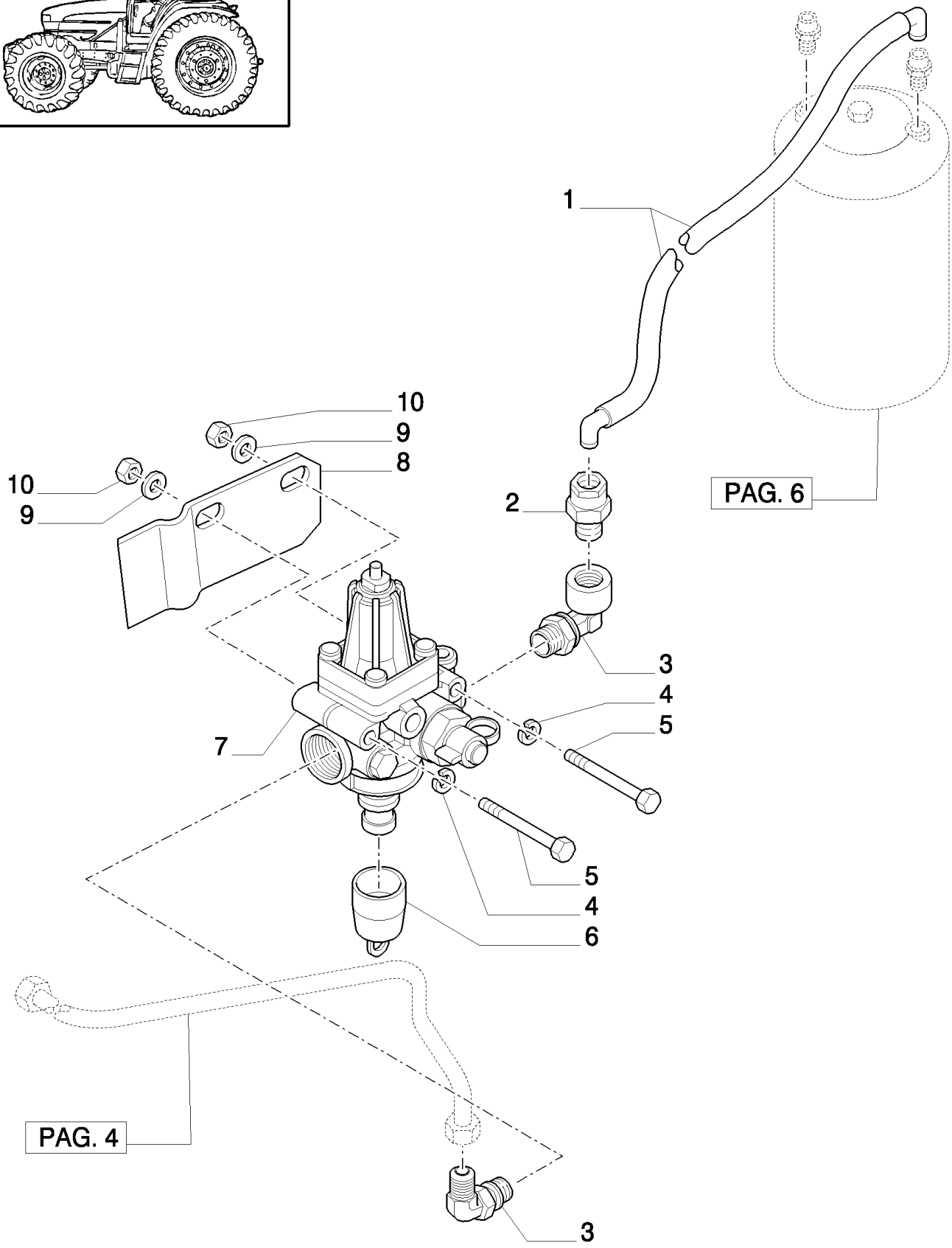
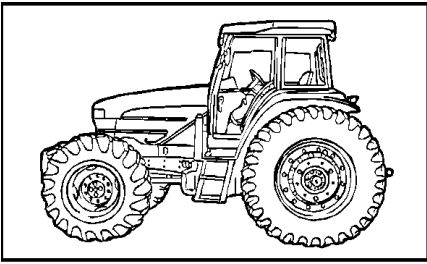


MXM155 CASE IH TRACTOR (6/02- )

1.68.6(04) (VAR.178) TRAILER AIR BRAKE UK - PIPES

сылка	Номер детали	Кол-во	Описание
1	82003205	1	CONNECTOR, HYD.,
2	82020929	1	TUBE, , BSN 217254
2	82033310	1	TUBE, , ASN 217255
3	82003206	2	ELBOW,
4	82006545	1	ADAPTER, , BSN ACM262152
5	82020928	1	TUBE, , BSN ACM262152
6	4858609	2	O-RING, , BSN ACM262152
7	10184417	1	BOLT, BANJO, M16 x 1.5 x 31, , BSN ACM262152
8	2853564	1	BRACKET, , D5334-
9	14457580	1	O-RING, -117, 70 Duro, .799" ID x .103" Thk, , ASN ACM262153
10	87347563	1	, ACM262153-C5334
10	87398436	1	TUBE, , D5334-

D4855 Serial N.217255 D5333 Serial N.ACM262153 D5334 After Date 20 February 2006



PAG. 4

PAG. 6

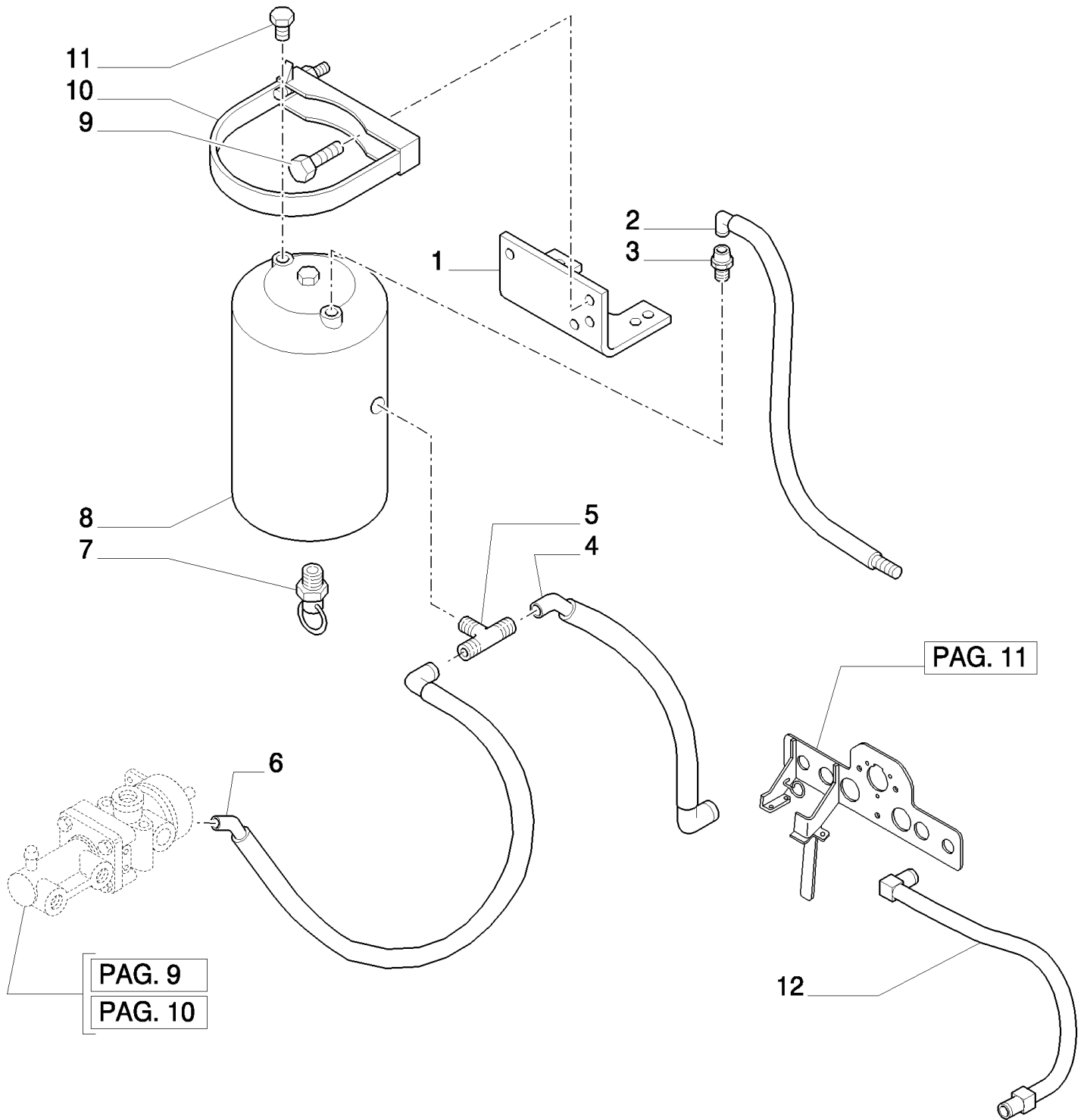
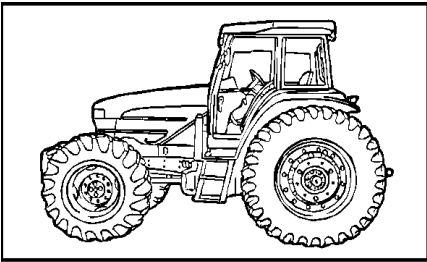


MXM155 CASE IH TRACTOR (6/02- )

1.68.6(05) (VAR.178) TRAILER AIR BRAKE UK - PRESSURE ADJUSTMENT VALVE

сылка	Номер детали	Кол-во	Описание
1	82018525	1	TUBE, MXM120, MXM130, MXM140, MXM155
1	82019196	1	TUBE, MXM175, MXM190
2	82017722	1	ADAPTER,
3	82003206	2	ELBOW,
4	10516674	2	WASHER, LOCK, 5/16", (M8)
5	16201624	2	BOLT, Hex, M8 x 75,
6	82001979	1	VALVE,
7	82001015	1	VALVE, CONTROL,
8	82018549	1	BRACKET,
9	14496504	2	WASHER, M8 x 17 x 1.6,
10	16100811	2	NUT, M8, CI 8,





PAG. 9  
PAG. 10

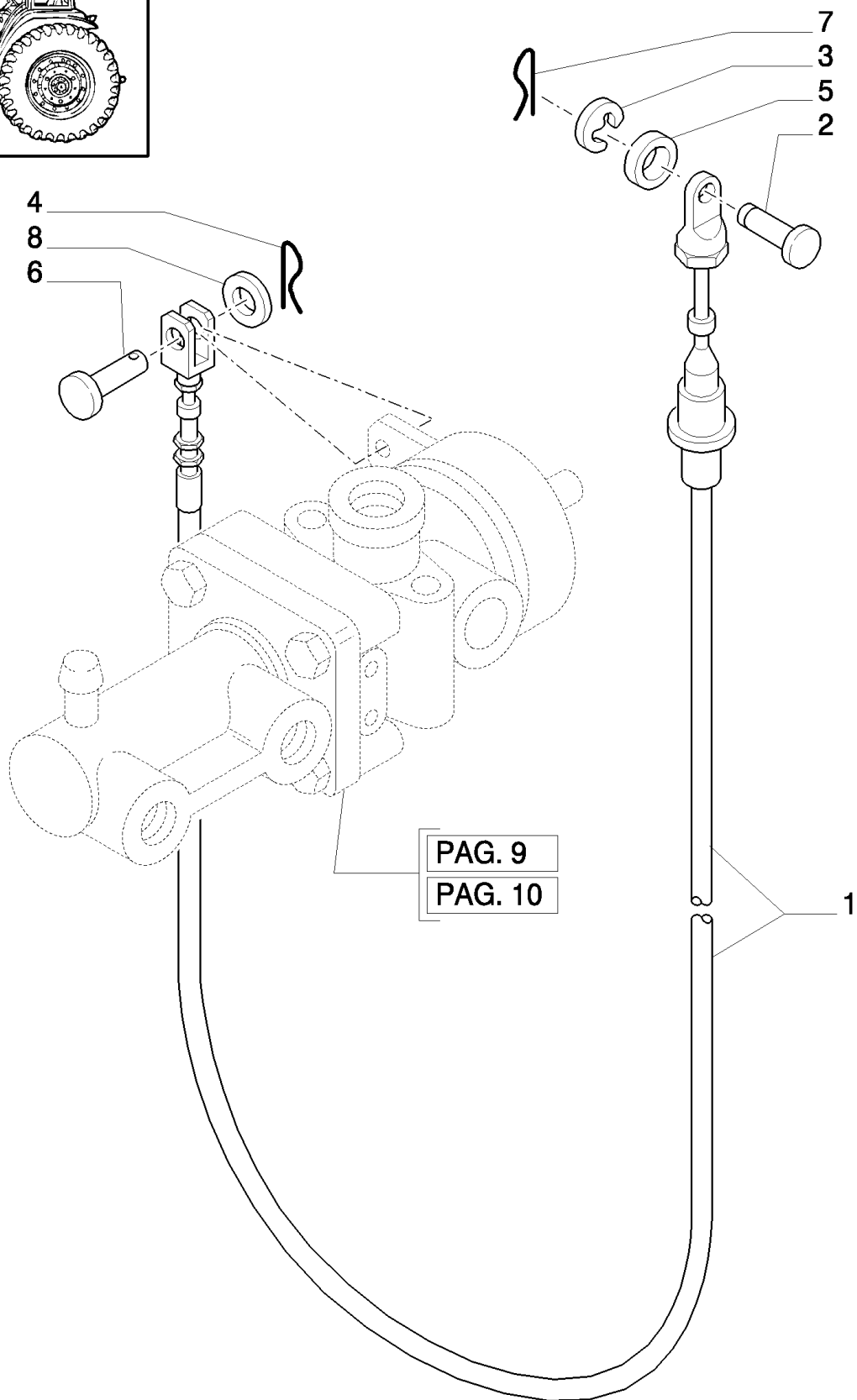
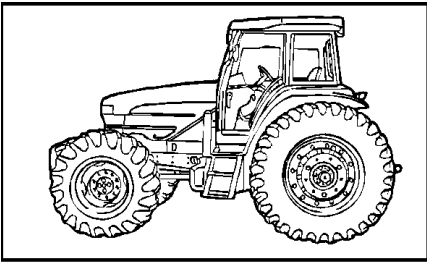
PAG. 11



## MXM155 CASE IH TRACTOR (6/02- )

## 1.68.6(06) (VAR.178) TRAILER AIR BRAKE UK - AIR TANK AND PIPES

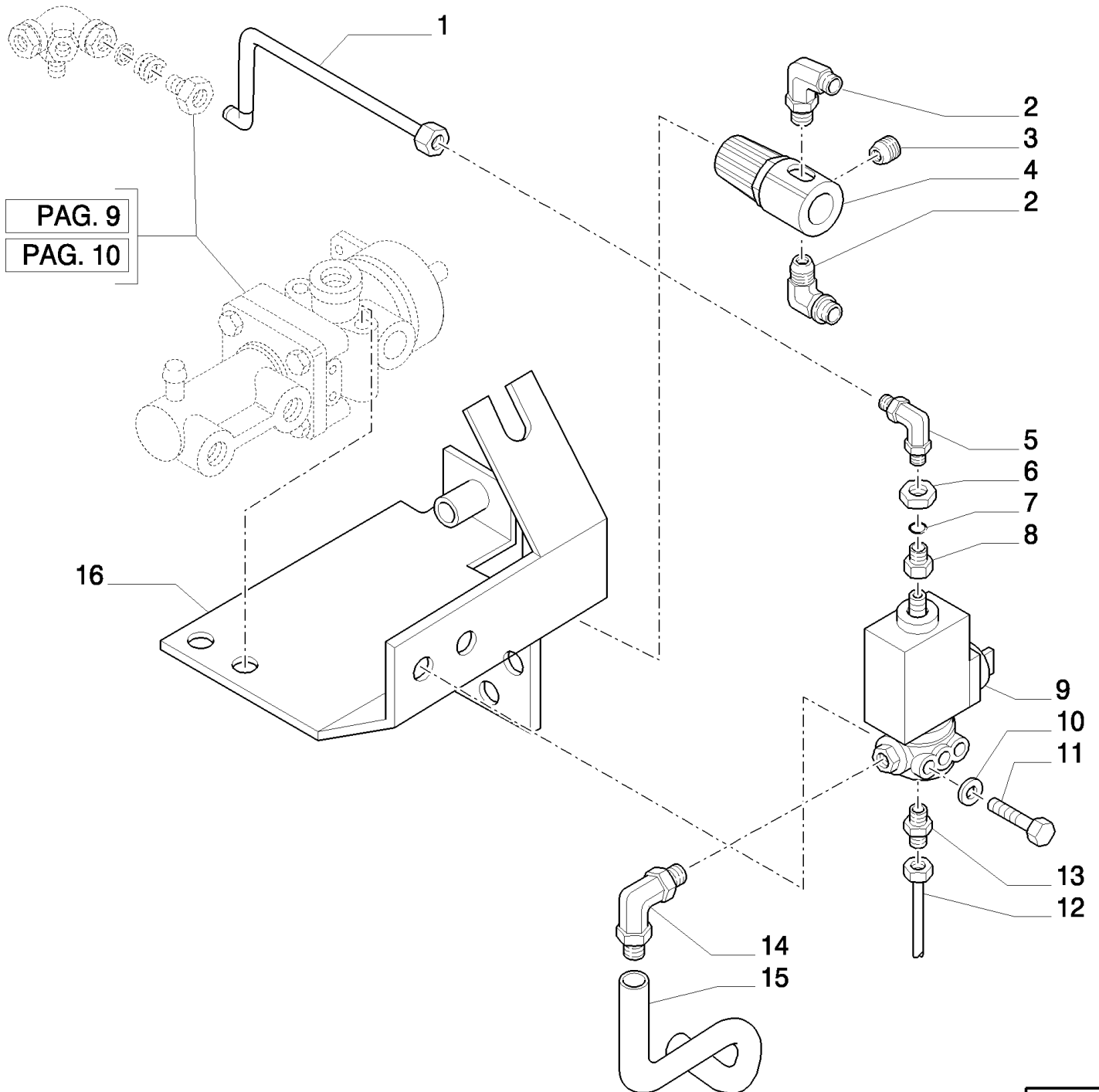
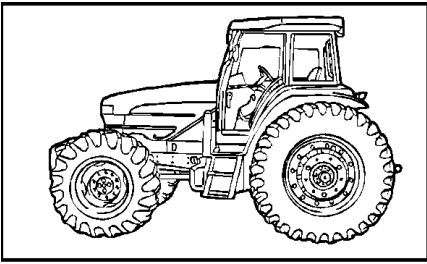
сылка	Номер детали	Кол-во	Описание
1	82011501	1	BRACKET,
2	82018525	1	TUBE, MXM120, MXM130, MXM140, MXM155
2	82019196	1	TUBE, MXM175, MXM190
3	82017722	1	ADAPTER,
4	82024867	1	HOSE, FLEXIBLE, MXM120, MXM130, MXM140, MXM155
4	82023451	1	TUBE, MXM175, MXM190
5	82014912	1	PLUG,
6	82030974	1	TUBE, Polyamide Tube - 950 mm lg
7	82004266	1	VALVE,
8	82020479	1	RESERVOIR, AIR,
9	10979224	2	BOLT, Hex, M10 x 16, 8.8, Full Thd,
10	82020478	1	BRACKET,
11	82014913	1	PLUG,
12	82019633	1	TUBE, MXM120, MXM130, MXM140, MXM155
12	82023450	1	TUBE, MXM175, MXM190



MXM155 CASE IH TRACTOR (6/02- )

1.68.6(07) (VAR.178) TRAILER AIR BRAKE UK - AIR BRAKE CABLE

сылка	Номер детали	Кол-во	Описание
1	87567763	1	CABLE, MXM120, MXM130, MXM140, MXM155
1	82032323	1	CABLE, MXM175, MXM190
2	82019625	1	PIN,
3	11087374	2	CIRCLIP, M13,
4	10734401	1	PIN, SPLIT (COTTER), M2 x 22,
5	82019659	1	SPACER, M10 x 19 x 8.5, MXM120, MXM130, MXM140, MXM155
6	10050811	1	PIN, M8
7	10766901	1	PIN, SPLIT (COTTER), M3.2 x 25,
8	11193874	1	WASHER, SPRING, Belleville, M8.4,

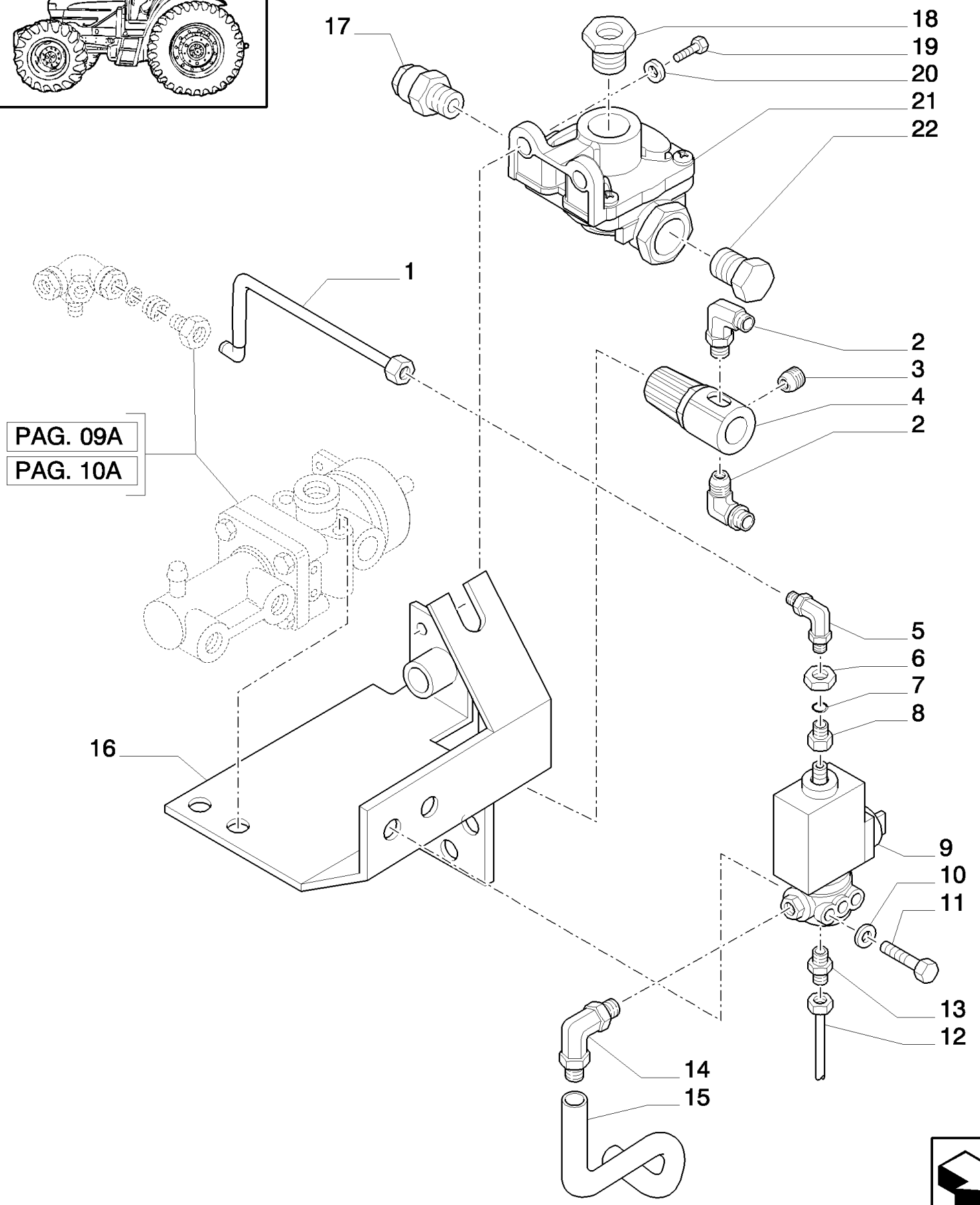
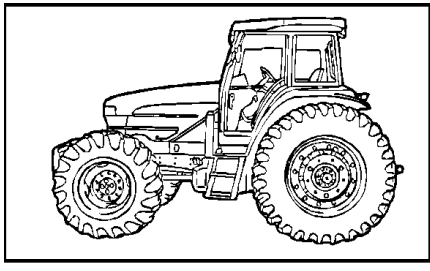


MXM155 CASE IH TRACTOR (6/02- )

1.68.6(08) (VAR.178) TRAILER AIR BRAKE UK - BRACKET AND RELEVANT PARTS - C5339

сылка	Номер детали	Кол-во	Описание
1	82019622	1	TUBE, PLASTIC-RUBBER,
2	82024156	2	ELBOW,
3	82017203	1	PLUG,
4	82016887	1	VALVE, CONTROL,
5	82019627	1	ELBOW,
6	82019834	1	NUT,
7	82019835	1	GASKET,
8	82019833	1	ADAPTER,
9	82006252	1	VALVE, CONTROL,
10	10516674	2	WASHER, LOCK, 5/16", (M8)
11	16201324	2	BOLT, Hex, M8 x 60,
12	82019793	1	HOSE,
13	82006828	1	ADAPTER,
14	82017199	1	ELBOW,
15	82019624	1	TUBE, 270 mm lg, MXM120, MXM130, MXM140, MXM155
16	82020512	1	BRACKET,

C5339 Serial N.ACM268362



PAG. 09A  
PAG. 10A

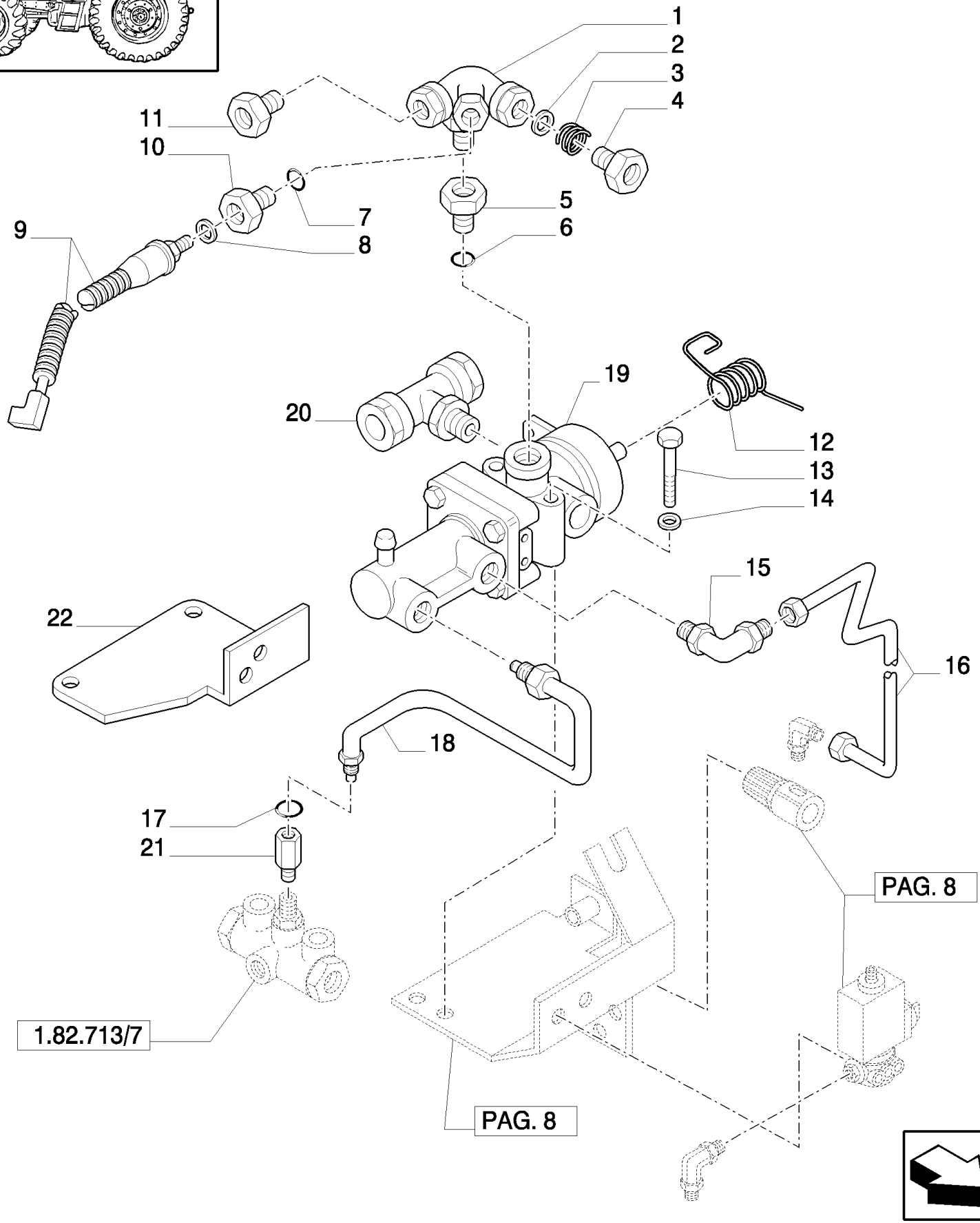
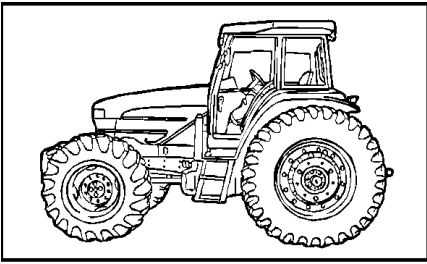
MXM155 CASE IH TRACTOR (6/02- )

1.68.6(08A) (VAR.178) TRAILER AIR BRAKE UK - BRACKET AND RELEVANT PARTS - D5339

сылка	Номер детали	Кол-во	Описание
1	82019622	1	TUBE, PLASTIC-RUBBER,
2	82024156	2	ELBOW,
3	82017203	1	PLUG,
4	82016887	1	VALVE, CONTROL,
5	82019627	1	ELBOW,
6	82019834	1	NUT,
7	82019835	1	GASKET,
8	82019833	1	ADAPTER,
9	82006252	1	VALVE, CONTROL,
10	10516674	2	WASHER, LOCK, 5/16", (M8)
11	16201324	2	BOLT, Hex, M8 x 60,
12	82019793	1	HOSE,
13	82006828	1	ADAPTER,
14	82017199	1	ELBOW,
15	82019624	1	TUBE, 270 mm lg, MXM120, MXM130, MXM140, MXM155
16	87387687	1	BRACKET,
17	82017722	1	ADAPTER,
18	82036156	1	FITTING,
19	16043621	2	BOLT, Hex, M8 x 25, 8.8,
20	14496501	2	WASHER, M8 x 16 x 1.6,
21	82033387	1	TRAILER BRAKE VALVE,
22	82014913	1	PLUG,

D5339 Serial N.ACM268363



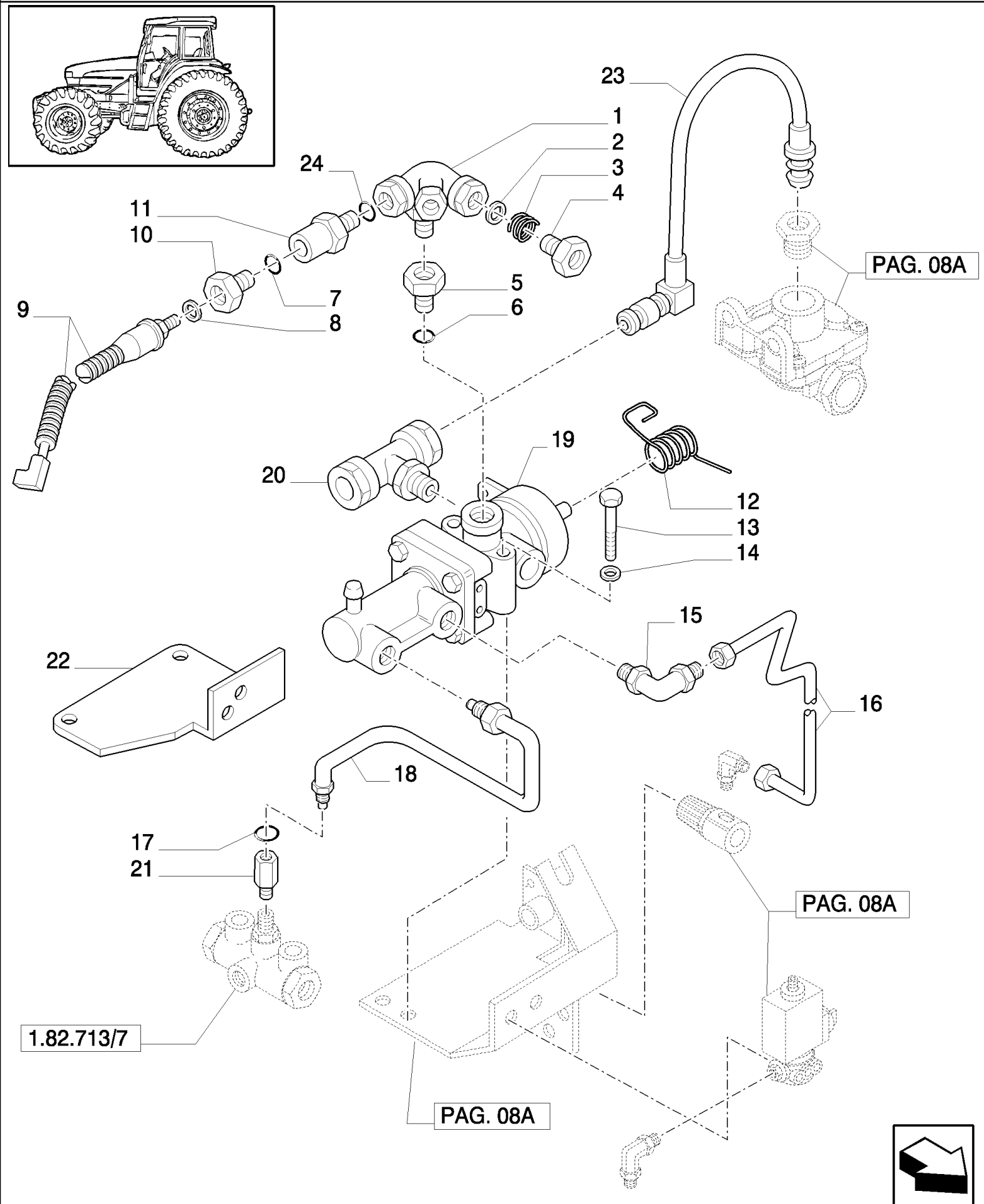


MXM155 CASE IH TRACTOR (6/02- )

1.68.6(09) (VAR.178) TRAILER AIR BRAKE UK - AIR BRAKE CONTROL VALVE - C5339

сылка	Номер детали	Кол-во	Описание
1	82019795	1	FITTING,
2	82019802	1	CLIP,
3	82019801	1	GASKET,
4	82019803	1	NUT,
5	82019796	1	NUT,
6	82019797	1	O-RING,
7	82019799	1	O-RING,
8	5169544	1	SEAL,
9	82017517	1	SWITCH, Transducer, Air Brake Pressure
10	82019800	1	ADAPTER,
11	82019798	1	ADAPTER,
12	82019558	1	SPRING,
13	16201324	2	BOLT, Hex, M8 x 60,
14	10516674	2	WASHER, LOCK, 5/16", (M8)
15	82017199	1	ELBOW,
16	82019623	1	TUBE,
17	10261060	1	WASHER, COPPER, M12.2 x 16 x 1.5,
18	82019629	1	TUBE,
19	82016341	1	VALVE, CONTROL,
20	82006829	1	TEE,
21	82016141	1	FITTING,
22	82019617	1	BRACKET,

C5339 Serial N.ACM268362

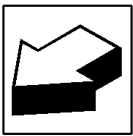
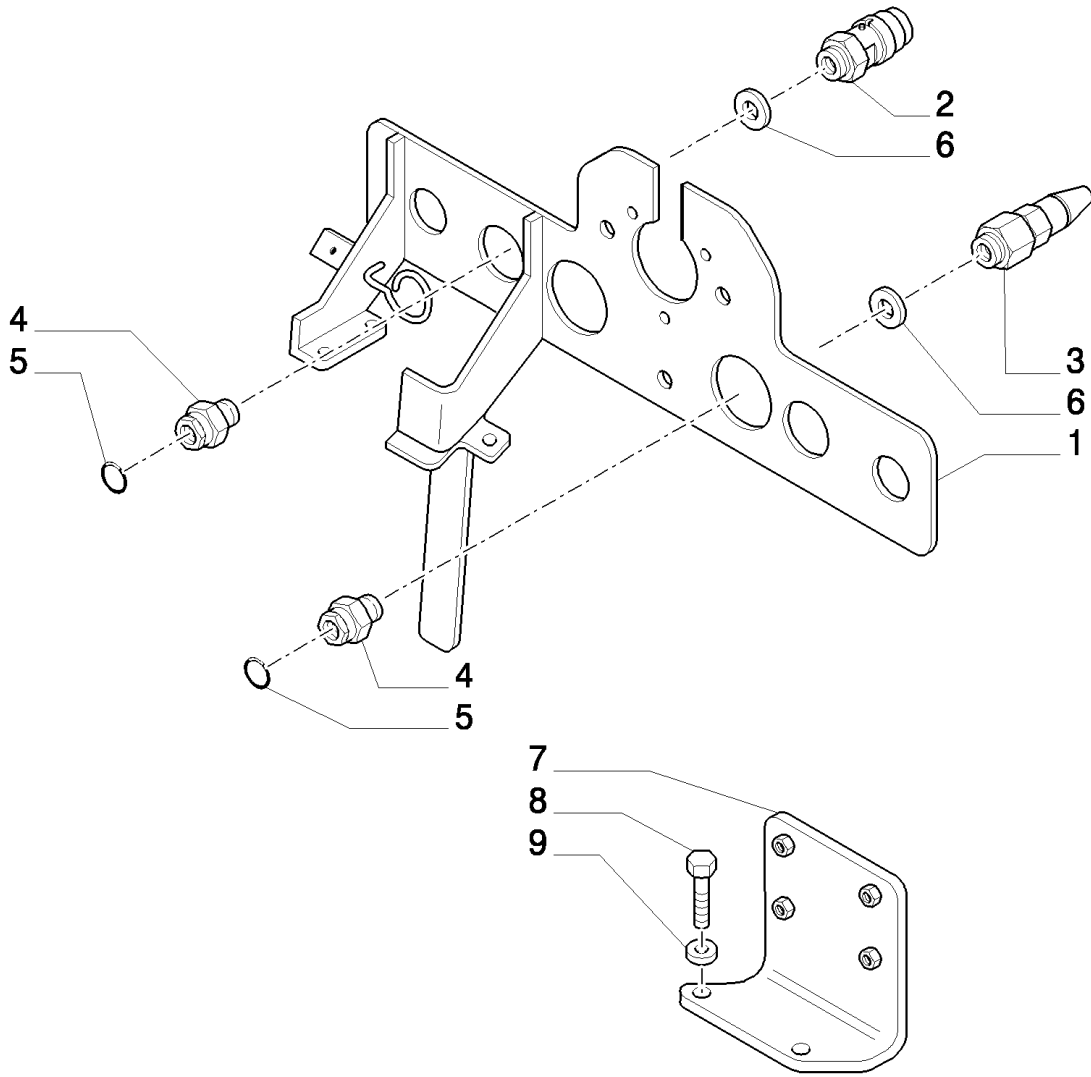
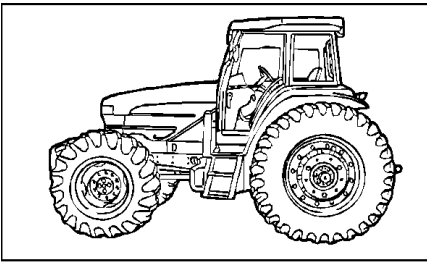


MXM155 CASE IH TRACTOR (6/02- )

1.68.6(09A) (VAR.178) TRAILER AIR BRAKE UK - AIR BRAKE CONTROL VALVE - D5339

сылка	Номер детали	Кол-во	Описание
1	82019795	1	FITTING,
2	82019802	1	CLIP,
3	82019801	1	GASKET,
4	82019803	1	NUT,
5	82019796	1	NUT,
6	82019797	1	O-RING,
7	82019799	1	O-RING,
8	5169544	1	SEAL,
9	82017517	1	SWITCH, Transducer, Air Brake Pressure
10	82019800	1	ADAPTER,
11	87392490	1	ADAPTER,
12	82019558	1	SPRING,
13	16201324	2	BOLT, Hex, M8 x 60,
14	10516674	2	WASHER, LOCK, 5/16", (M8)
15	82017199	1	ELBOW,
16	82019623	1	TUBE,
17	10261060	1	WASHER, COPPER, M12.2 x 16 x 1.5,
18	82019629	1	TUBE,
19	82016341	1	VALVE, CONTROL,
20	82006829	1	TEE,
21	82016141	1	FITTING,
22	82019617	1	BRACKET,
23	87389131	1	TUBE,
24	87392491	1	O-RING,

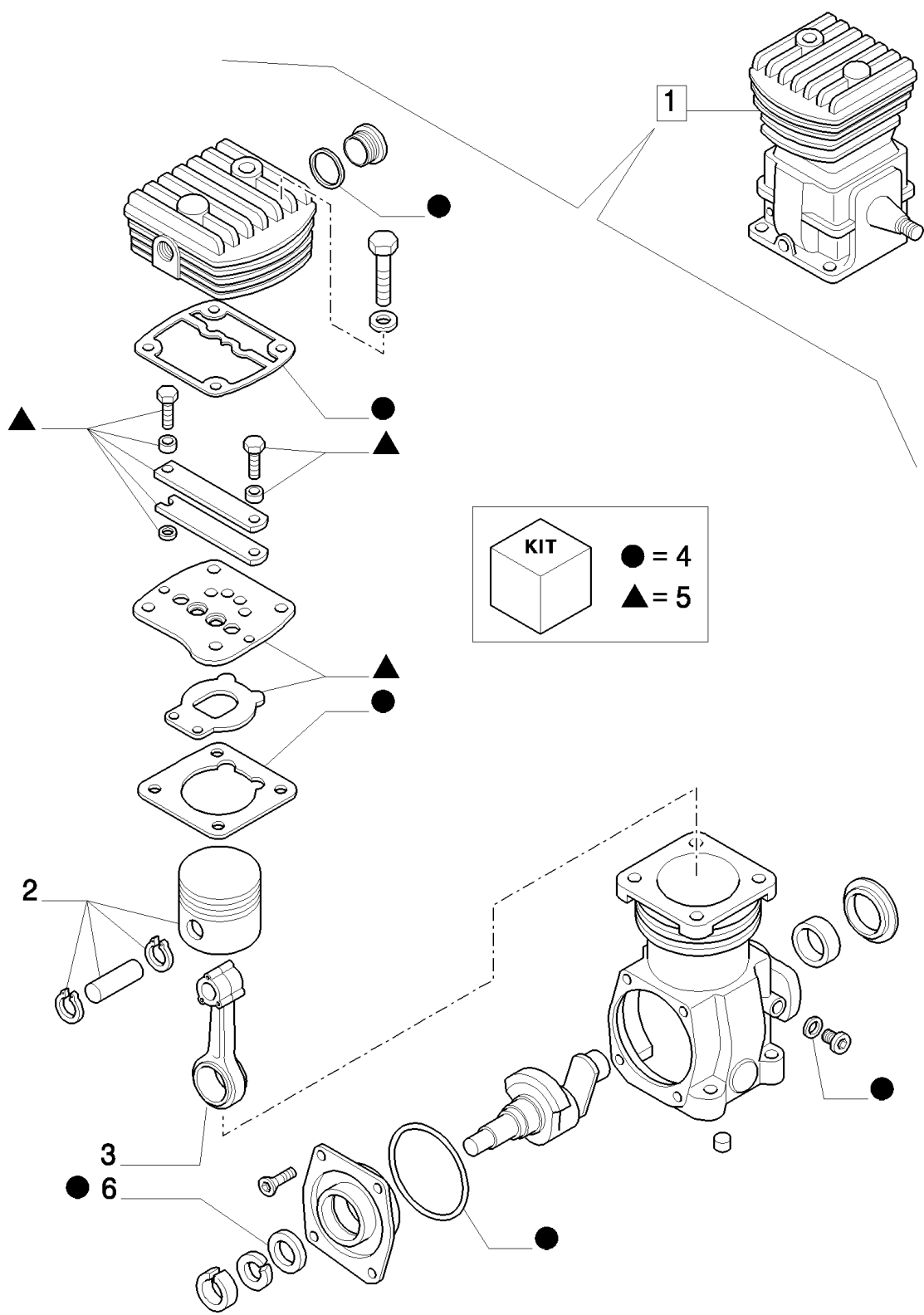
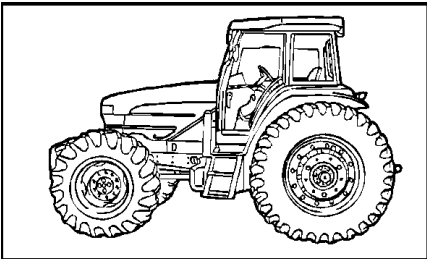
D5339 Serial N.ACM268363



MXM155 CASE IH TRACTOR (6/02- )

1.68.6(11) (VAR.178) PNEUMATIC TRAILER BRAKES UK - AIR BRAKE BRACKET AND RELEVANT PARTS

сылка	Номер детали	Кол-во	Описание
1	87308079	1	BRACKET,
2	82027175	1	COUPLING, Red
3	82027176	1	COUPLING, Yellow
4	82006297	2	CONNECTOR, HYD., M22
5	82006328	2	WASHER, LOCK, M22
6	82006330	2	O-RING,
7	82030536	1	BRACKET,
8	10902424	2	BOLT, Hex, M6 x 20, 8.8, Full Thd,
9	14496404	2	WASHER, LOCK, M6 x 12.5

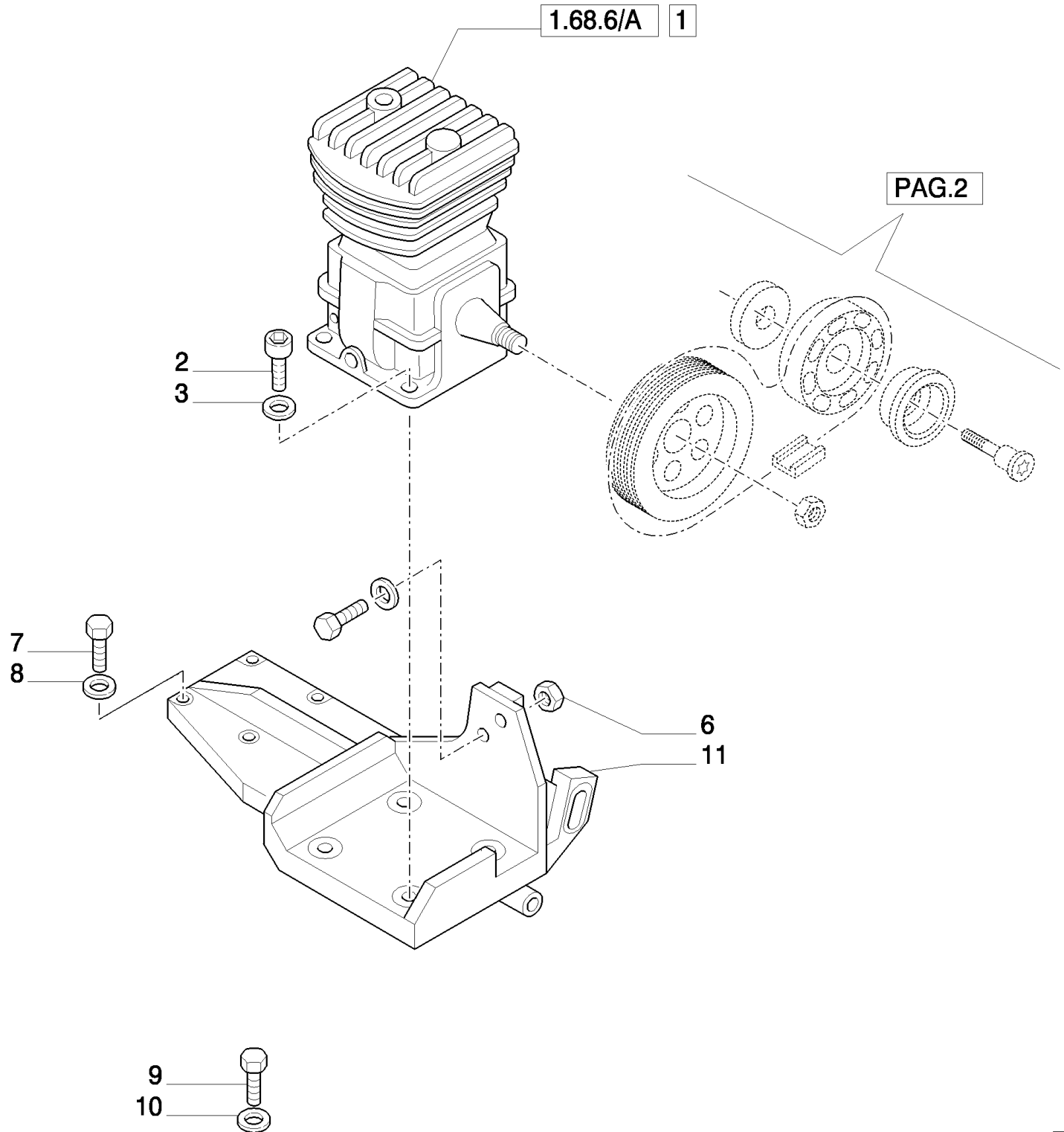
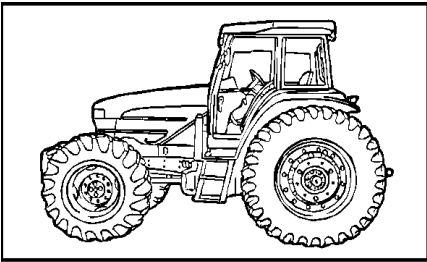


MXM155 CASE IH TRACTOR (6/02- )

1.68.6/ A (VAR.178-385-385/1-385/2) PNEUMATIC TRAILER BRAKES - AIR COMPRESSOR BREAKDOWN

сылка	Номер детали	Кол-во	Описание
1	82003029	1	COMPRESSOR, AIR, Assy
2	9969245	1	PISTON ASSY, Assy
3	9969246	1	ROD, CONNECTING, Assy
4	9969243	1	KIT, Gaskets
5	9969244	1	KIT, Valve Plate Assy
6	9970279	1	GASKET,



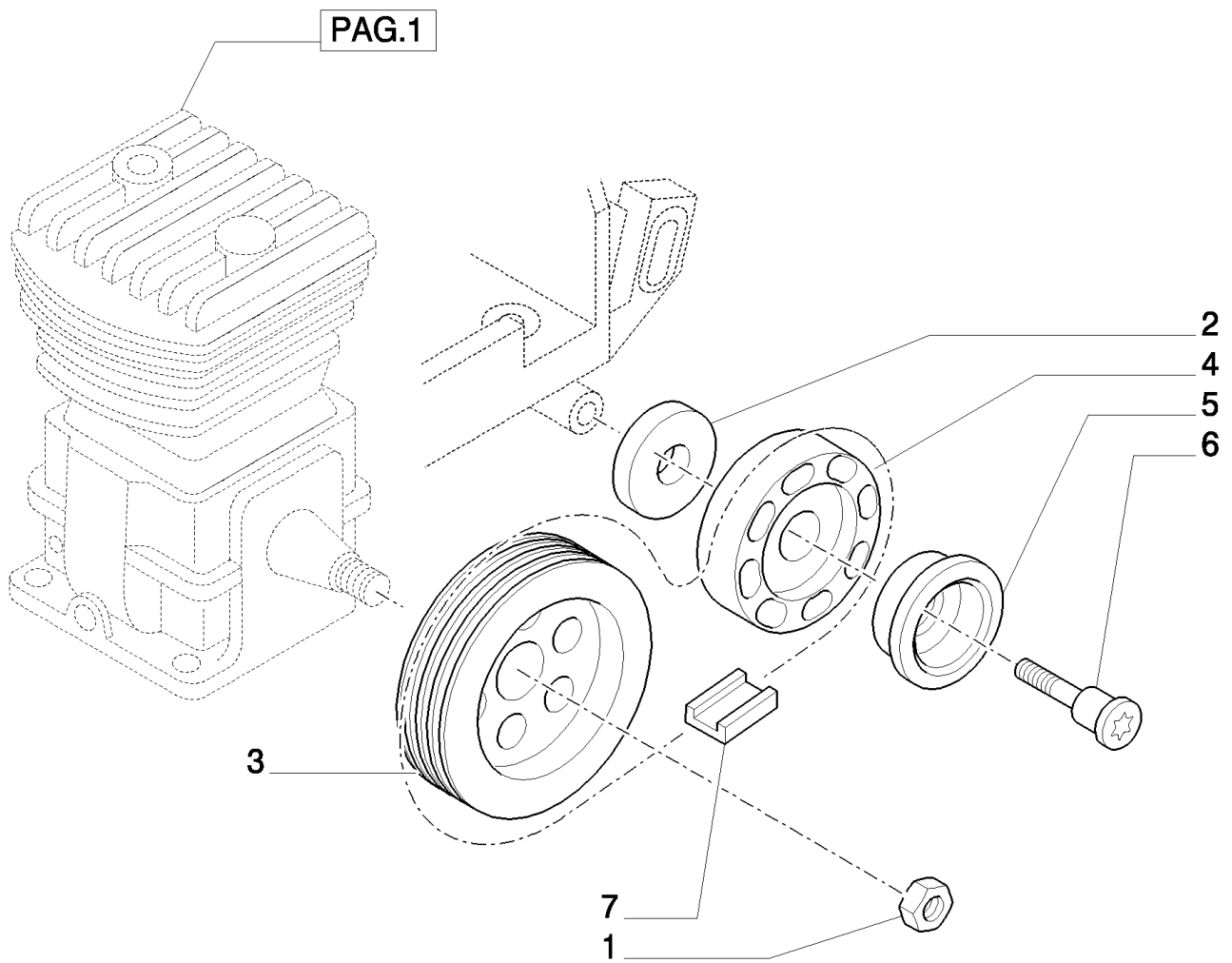
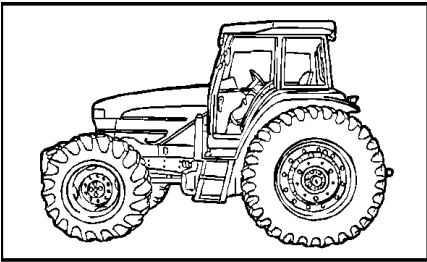


MXM155 CASE IH TRACTOR (6/02- )

1.68.6/01(01) (VAR.385) TRAILER AIR BRAKE GERMANY - BRACKET FOR AIR COMPRESSOR

сылка	Номер детали	Кол-во	Описание
1	82003029	1	COMPRESSOR, AIR, Assy
2	14306624	4	SCREW, Hex Soc Hd, M8 x 35, 10.9,
3	80080681	4	WASHER, LOCK, 5/16"
4	16204724	2	BOLT, Hex, M10 x 45,
5	12605671	2	WASHER, LOCK, Int Tooth, M10,
6	12164714	2	NUT, M10 x 1.25, CI 8,
7	15213321	4	BOLT, Hex, M8 x 35, 8.8,
8	14496504	4	WASHER, M8 x 17 x 1.6,
9	81865025	1	BOLT, HH, M10 x 1.5 x 65
9	83905793	1	SCREW, 7/16"-14 x 5"
10	100016	1	NUT, M10, CI 8,
10	80087363	1	WASHER, 7/16" x 0.92"
11	82024883	1	BRACKET, , -C5557
11	87344521	1	BRACKET, , D5557-

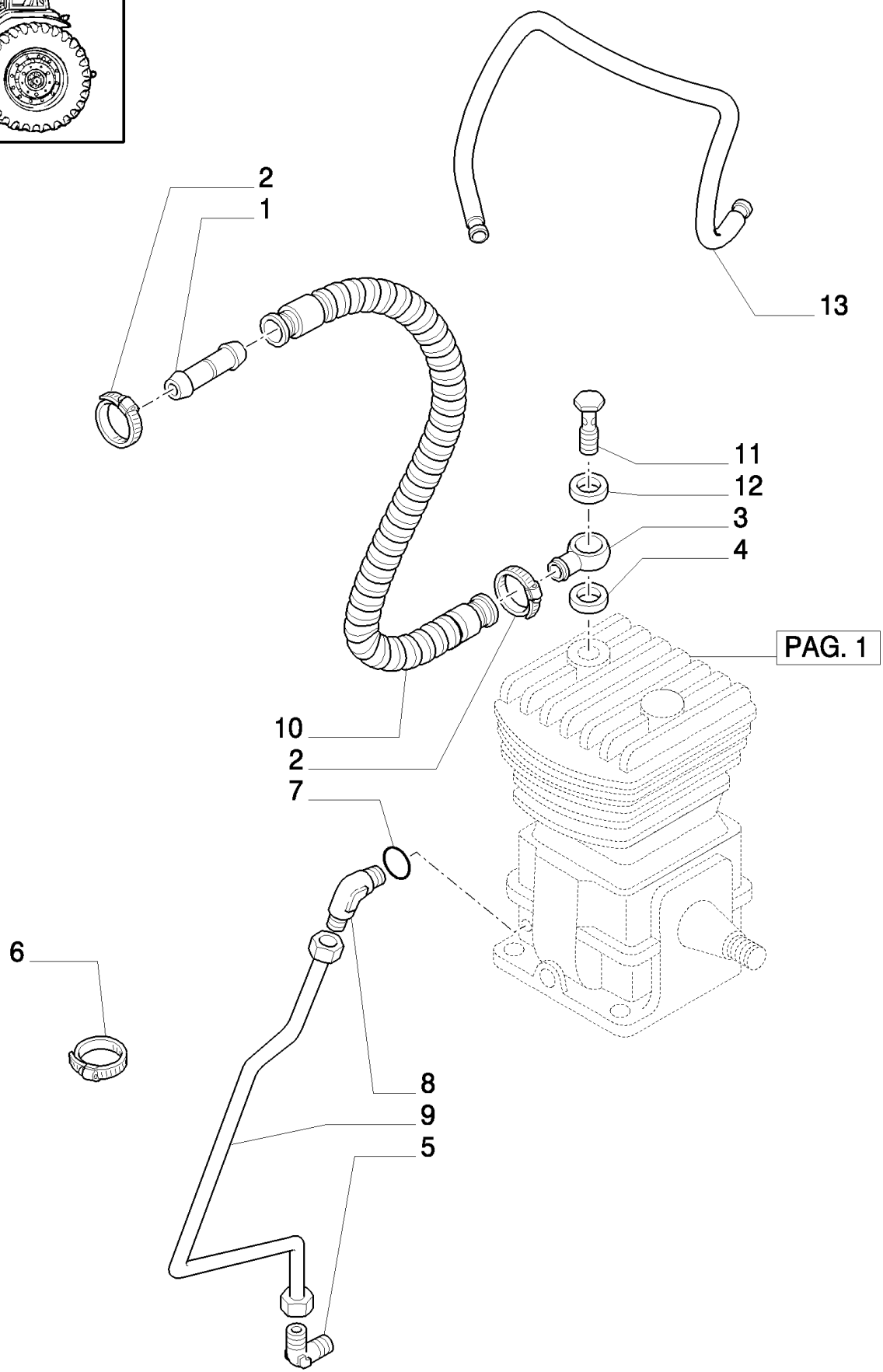
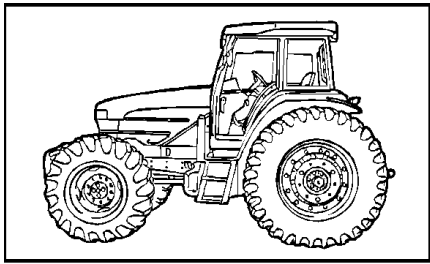
D5557 After Date 31 October 2006



MXM155 CASE IH TRACTOR (6/02- )

1.68.6/01(02) (VAR.385) TRAILER AIR BRAKE GERMANY - PULLEYS AND BELT

сылка	Номер детали	Кол-во	Описание
1	14088711	1	NUT, M12 x 1.25
2	82024061	1	SPACER,
3	82020926	1	PULLEY,
4	82024062	1	IDLER,
5	87840420	1	COVER,
6	82024060	1	SCREW, M12 x 1.25 x 60
7	82021010	1	BELT, Air Compressor

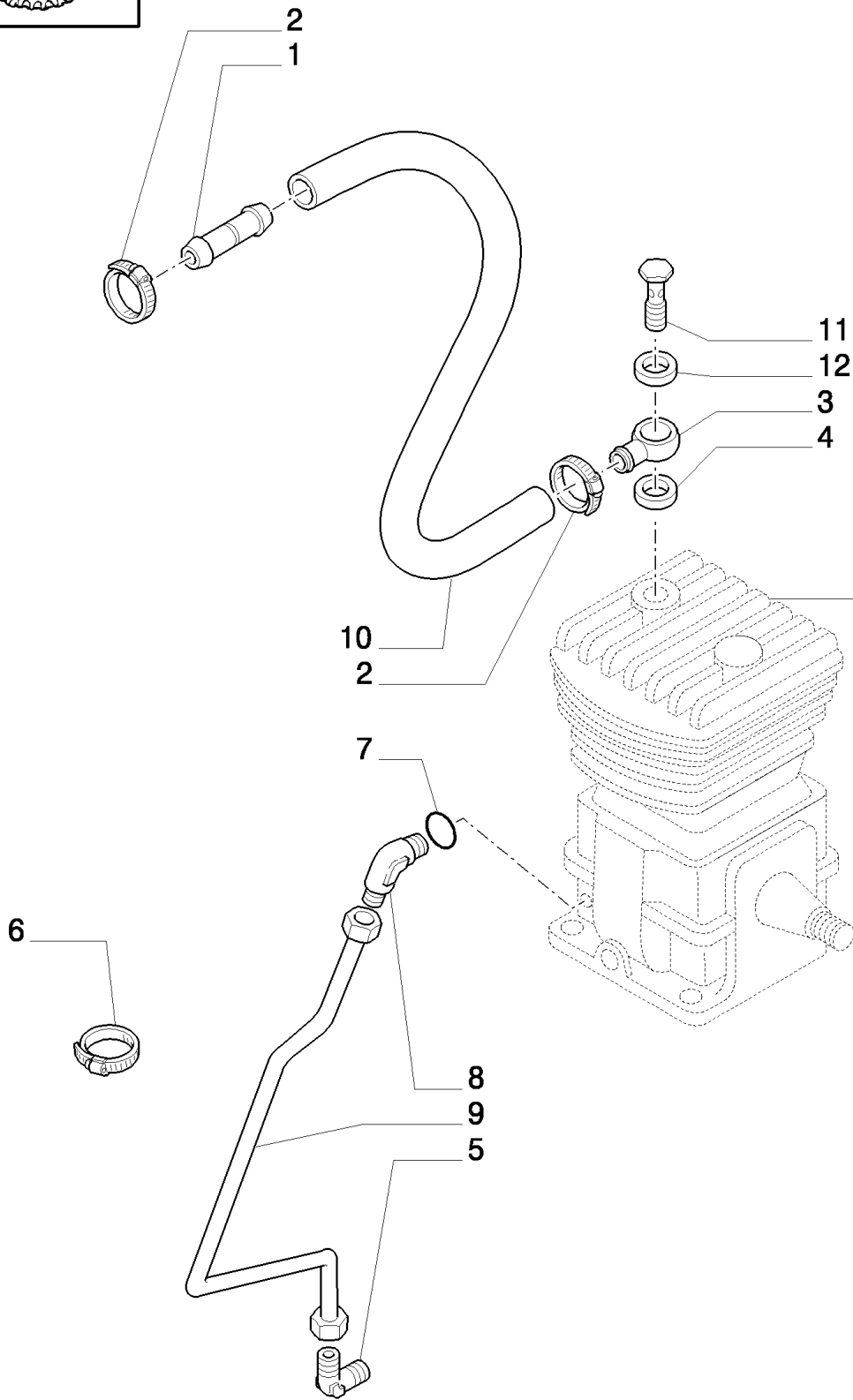
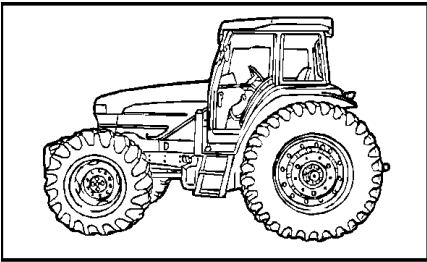


MXM155 CASE IH TRACTOR (6/02- )

1.68.6/01(03) (VAR.385) TRAILER AIR BRAKE GERMANY - PIPES - C5419

сылка	Номер детали	Кол-во	Описание
1	82019397	1	FITTING,
2	82036709	3	CLAMP, HOSE,
3	82031551	1	FITTING, M26 x 1.5
4	82032018	1	SPACER, M26
5	86512947	1	ELBOW, 90°, 7/16"-20, 3/8" x 1/8"-27, NPTF,
6	263117	2	STRAP, CABLE, .14" x 11 1/2",
7	14437585	1	O-RING, 8MM ID x 1.5 Thk,
8	82002502	1	ELBOW,
9	82020927	1	TUBE, , BSN ACM262152
9	87349039	1	TUBE, , ASN ACM262153
10	82033110	1	HOSE, FLEXIBLE, , -C5221
11	82031550	1	BOLT, BANJO, M26 x 1.5
12	82031552	1	WASHER, COPPER, M26 x 32 x 1.5
13	87346075	1	HOSE, FLEXIBLE, , D5221-

D5221 After Date 01 August 2005 D5333 Serial N.ACM262153 C5419 Serial N.ACM275356



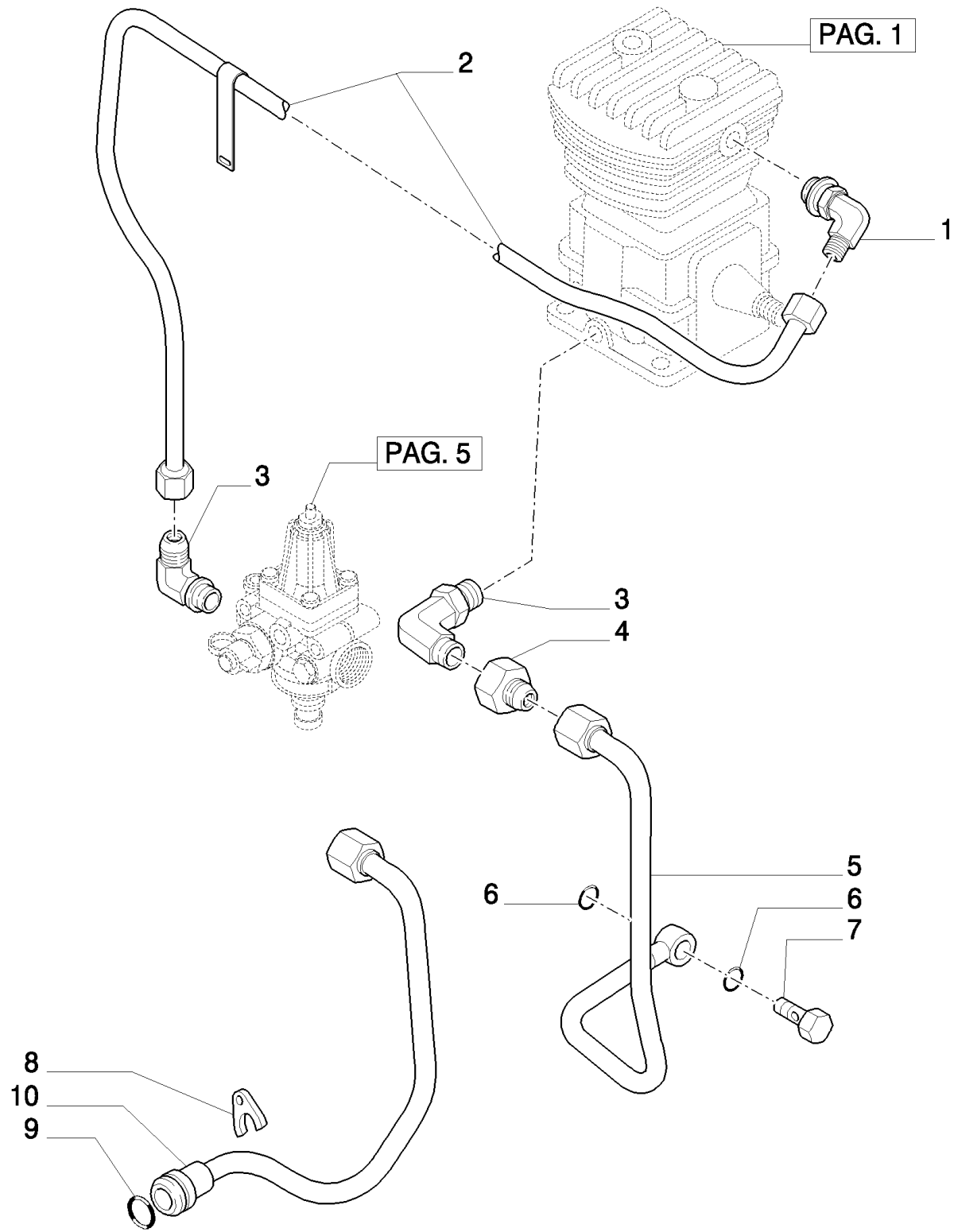
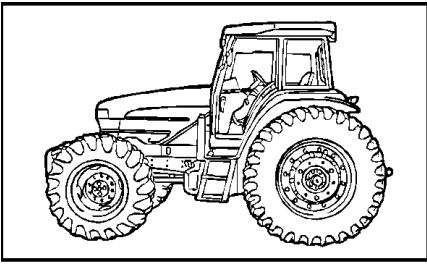
MXM155 CASE IH TRACTOR (6/02- )

1.68.6/01(03A) (VAR.385) TRAILER AIR BRAKE GERMANY - PIPES - D5419

сылка	Номер детали	Кол-во	Описание
1	82019397	1	FITTING,
2	82036709	3	CLAMP, HOSE,
3	82031551	1	FITTING, M26 x 1.5
4	82032018	1	SPACER, M26
5	86512947	1	ELBOW, 90°, 7/16"-20, 3/8" x 1/8"-27, NPTF,
6	263117	2	STRAP, CABLE, .14" x 11 1/2",
7	14437585	1	O-RING, 8MM ID x 1.5 Thk,
8	82002502	1	ELBOW,
9	87349039	1	TUBE,
10	87392969	1	HOSE, FLEXIBLE,
11	82031550	1	BOLT, BANJO, M26 x 1.5
12	82031552	1	WASHER, COPPER, M26 x 32 x 1.5

D5221 After Date 01 August 2005 D5333 Serial N.ACM262153 D5419 Serial N.ACM275357



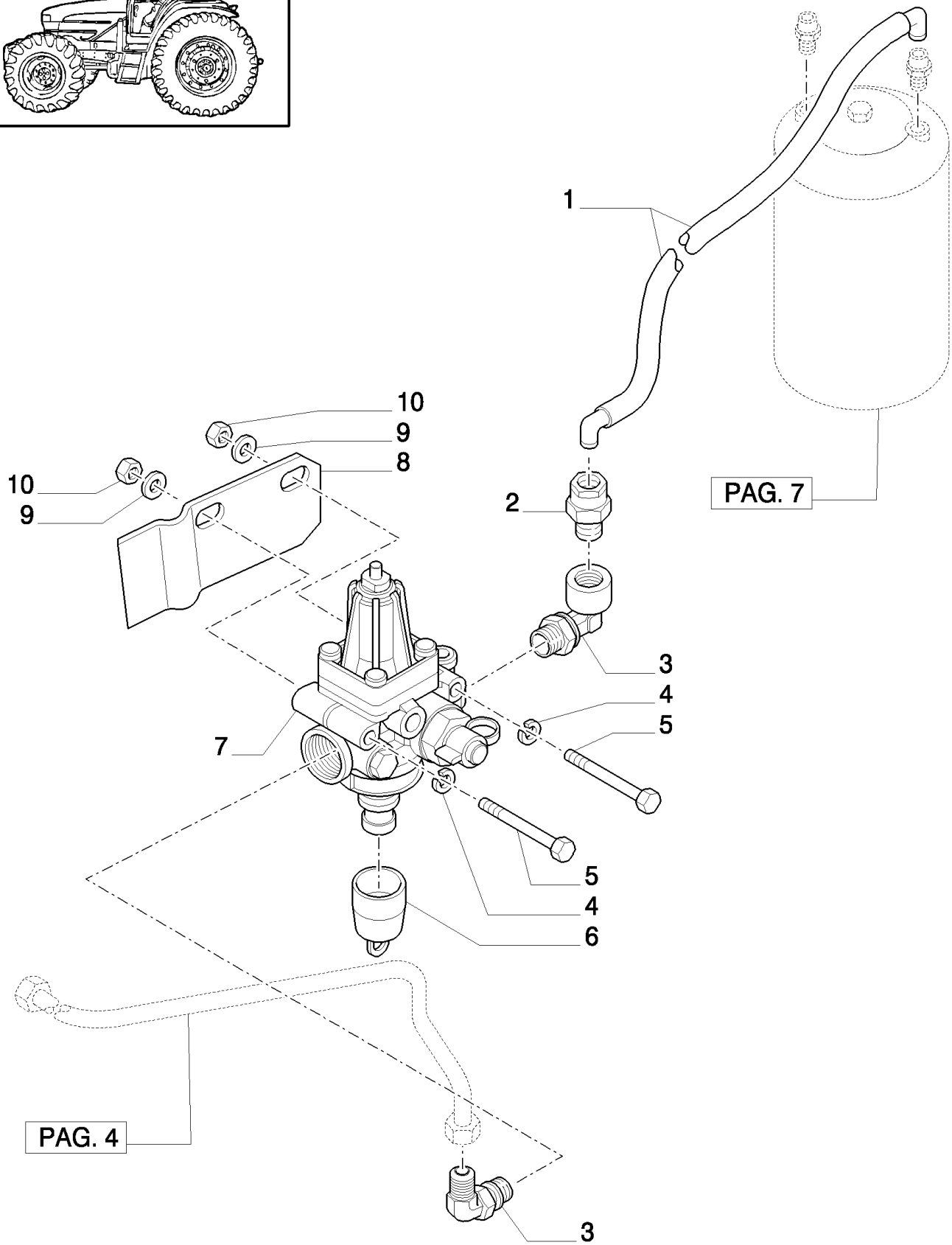
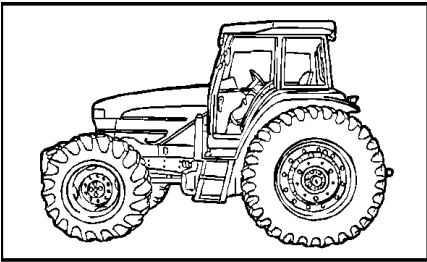


MXM155 CASE IH TRACTOR (6/02- )

1.68.6/01(04) (VAR.385) TRAILER AIR BRAKE GERMANY - PIPES

сылка	Номер детали	Кол-во	Описание
1	82003205	1	CONNECTOR, HYD.,
2	82020929	1	TUBE, , BSN 217254
2	82033310	1	TUBE, , ASN 217255
3	82003206	2	ELBOW,
4	82006545	1	ADAPTER, , BSN ACM262152
5	82020928	1	TUBE, , BSN ACM262152
6	4858609	2	O-RING, , BSN ACM262152
7	10184417	1	BOLT, BANJO, M16 x 1.5 x 31, , BSN ACM262152
8	2853564	1	BRACKET, , ASN ACM262153
9	14457580	1	O-RING, -117, 70 Duro, .799" ID x .103" Thk, , ASN ACM262153
10	87347563	1	, ACM262153-C5334
10	87398436	1	TUBE, , D5334-

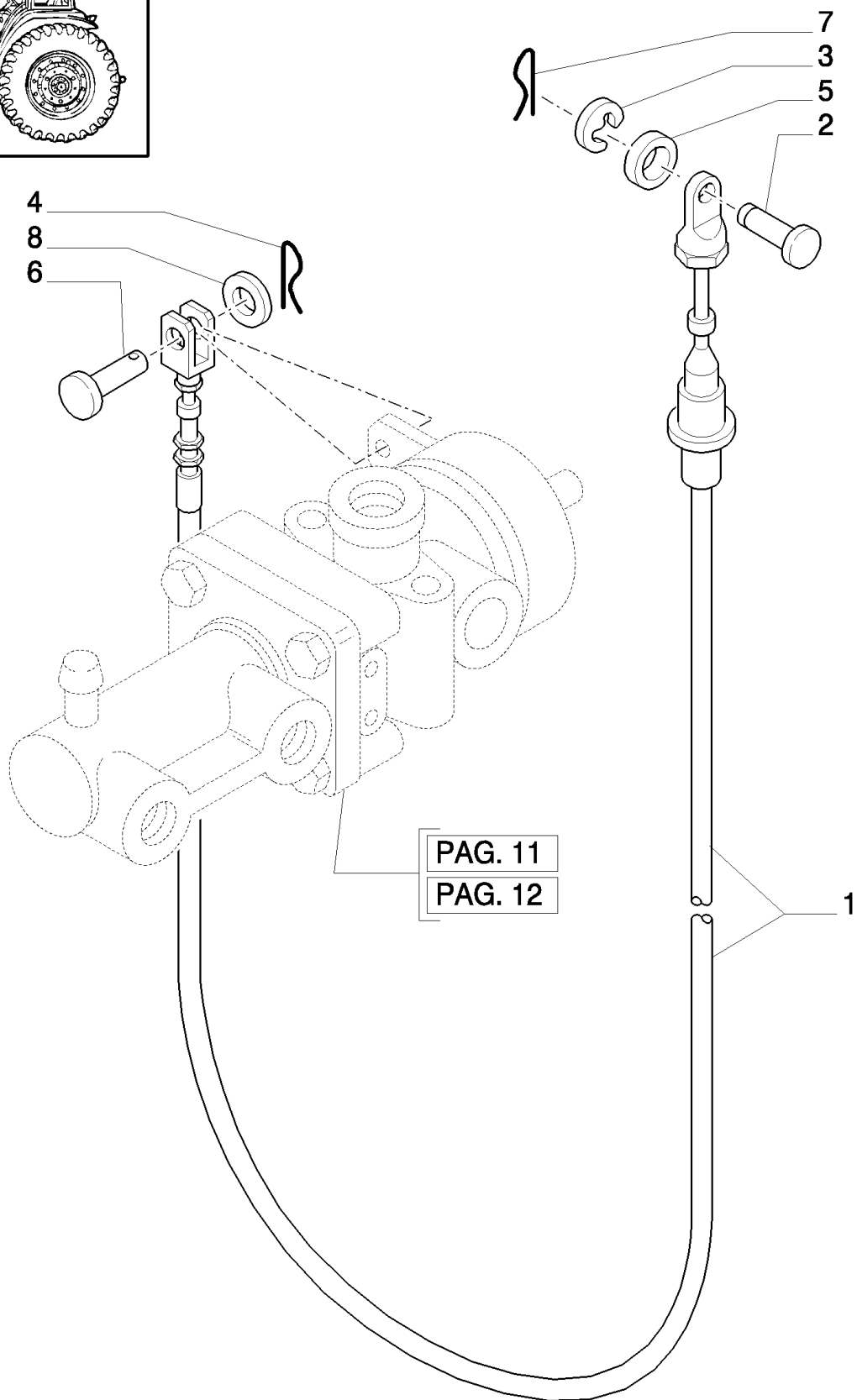
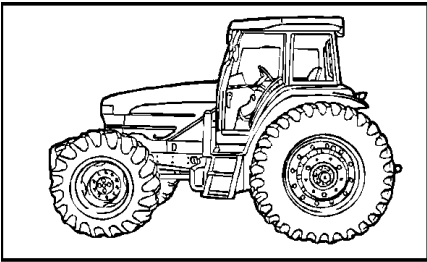
D4855 Serial N.217255 D5333 Serial N.ACM262153 D5334 After Date 20 February 2006



MXM155 CASE IH TRACTOR (6/02- )

1.68.6/01(05) (VAR.385) TRAILER AIR BRAKE GERMANY - PRESSURE ADJUSTMENT VALVE

сылка	Номер детали	Кол-во	Описание
1	82018525	1	TUBE, MXM120, MXM130, MXM140, MXM155
1	82019196	1	TUBE, MXM175, MXM190
2	82017722	1	ADAPTER,
3	82003206	2	ELBOW,
4	10516674	2	WASHER, LOCK, 5/16", (M8)
5	16201624	2	BOLT, Hex, M8 x 75,
6	82001979	1	VALVE,
7	82001015	1	VALVE, CONTROL,
8	82018549	1	BRACKET,
9	14496504	2	WASHER, M8 x 17 x 1.6,
10	16100811	2	NUT, M8, CI 8,



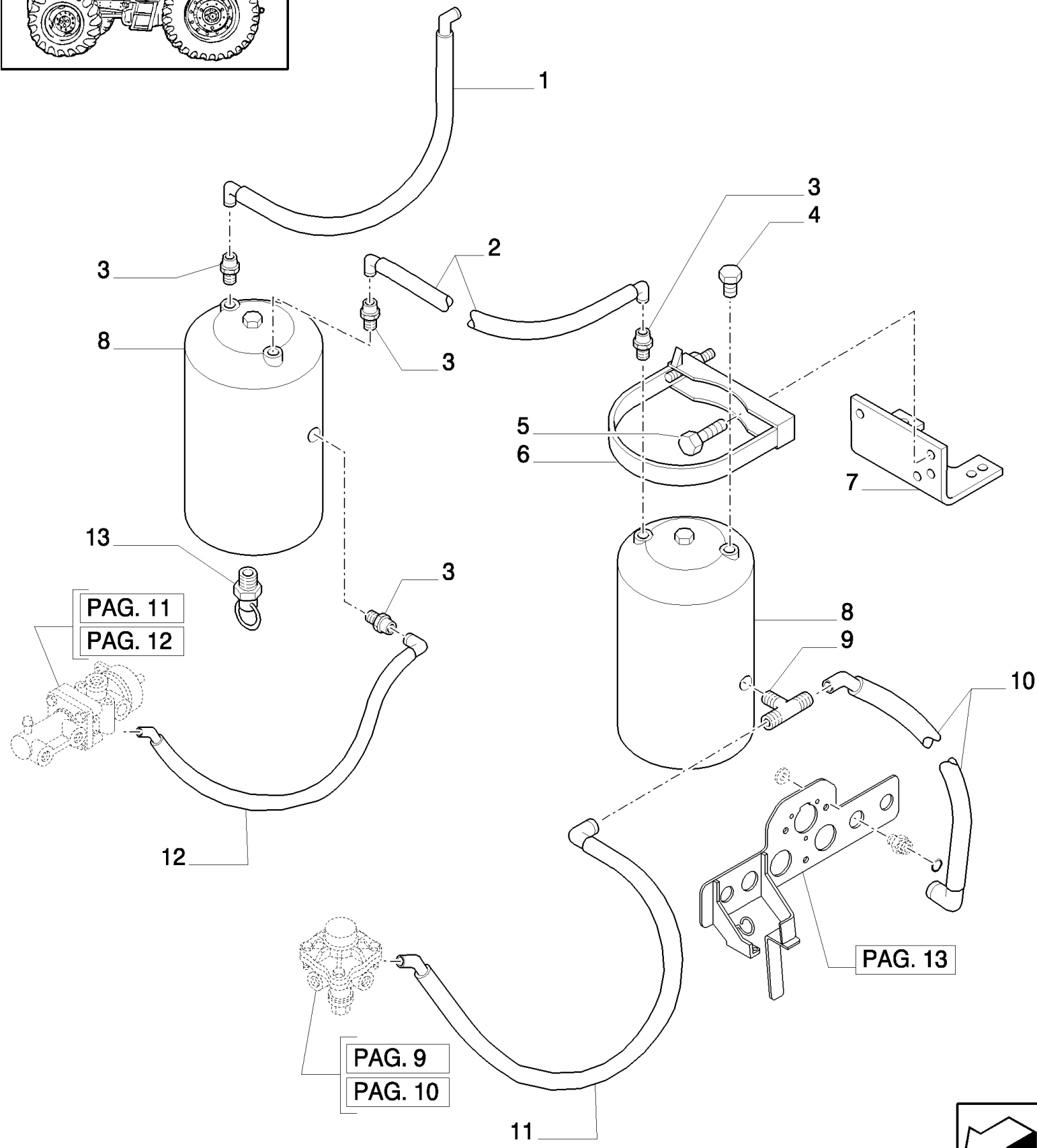
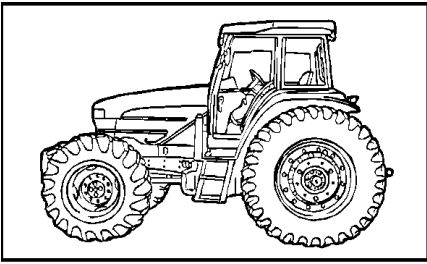
PAG. 11  
PAG. 12



MXM155 CASE IH TRACTOR (6/02- )

1.68.6/01(06) (VAR.385) TRAILER AIR BRAKE GERMANY - AIR BRAKE CABLE

сылка	Номер детали	Кол-во	Описание
1	87567763	1	CABLE, MXM120, MXM130, MXM140, MXM155
1	82032323	1	CABLE, MXM175, MXM190
2	82019625	1	PIN,
3	11087374	2	CIRCLIP, M13,
4	10734401	1	PIN, SPLIT (COTTER), M2 x 22,
5	82019659	1	SPACER, M10 x 19 x 8.5, MXM120, MXM130, MXM140, MXM155
6	10050811	1	PIN, M8
7	10766901	1	PIN, SPLIT (COTTER), M3.2 x 25,
8	11193874	1	WASHER, SPRING, Belleville, M8.4,



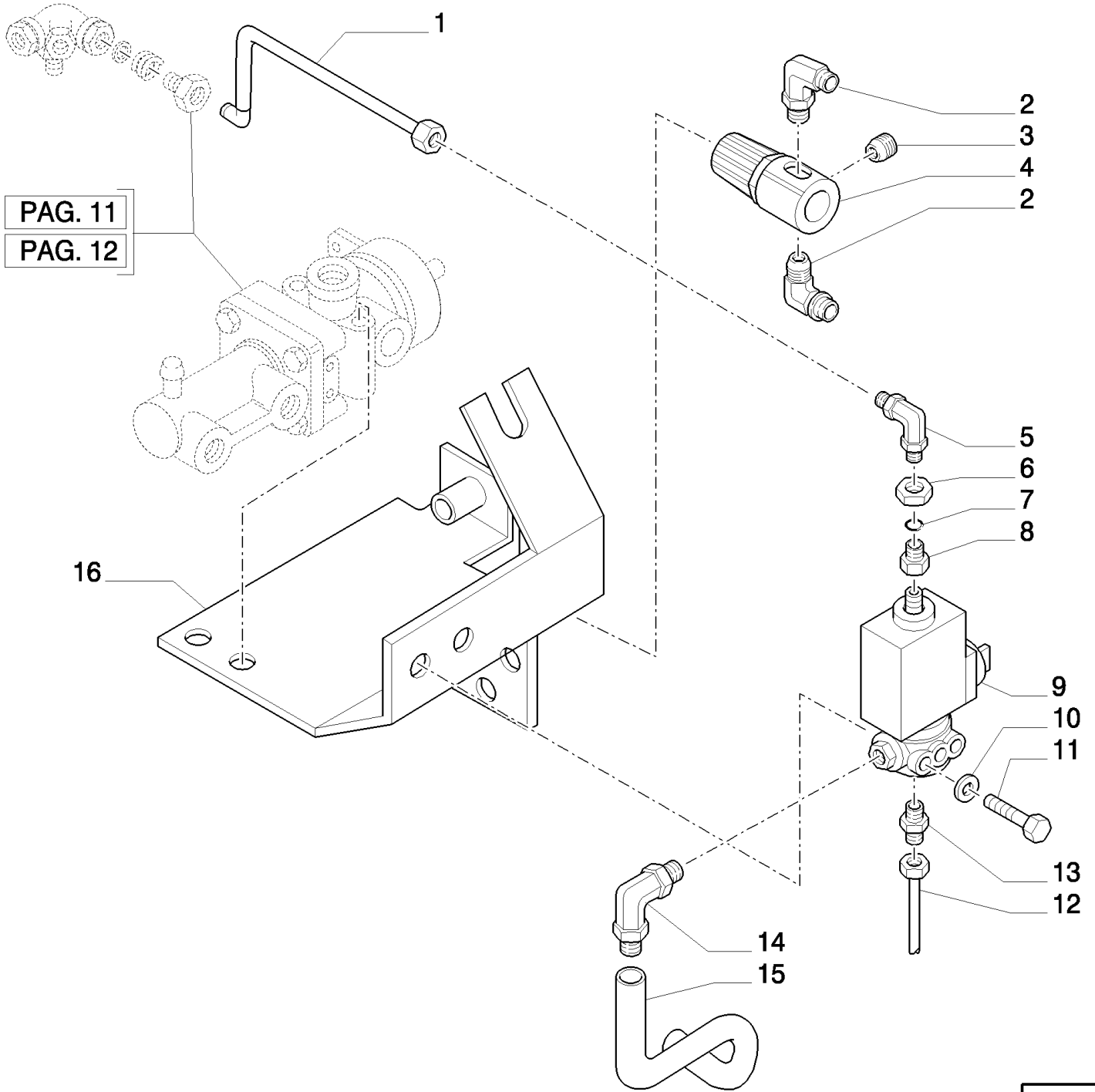
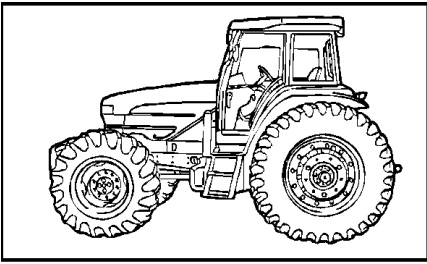
MXM155 CASE IH TRACTOR (6/02- )

1.68.6/01(07) (VAR.385) TRAILER AIR BRAKE GERMANY - AIR TANK AND PIPES

сылка	Номер детали	Кол-во	Описание
1	82018525	1	TUBE, MXM120, MXM130, MXM140, MXM155
1	82019196	1	TUBE, MXM175, MXM190
2	82006834	1	TUBE, , -C5213
2	87356630	1	TUBE, , D5213-
3	82017722	4	ADAPTER,
4	82014913	1	PLUG,
5	10979224	4	BOLT, Hex, M10 x 16, 8.8, Full Thd,
6	82020478	2	BRACKET,
7	82011501	2	BRACKET,
8	82020479	2	RESERVOIR, AIR,
9	82014912	1	PLUG, M10 x 16
10	82024866	1	TUBE, Red, MXM120, MXM130, MXM140, MXM155
10	82023452	1	TUBE, Red, MXM175, MXM190
11	82014915	1	TUBE,
12	82030974	1	TUBE, Polyamide Tube - 950 mm lg
13	82004266	2	VALVE,

D5213 After Date 07 January 2005



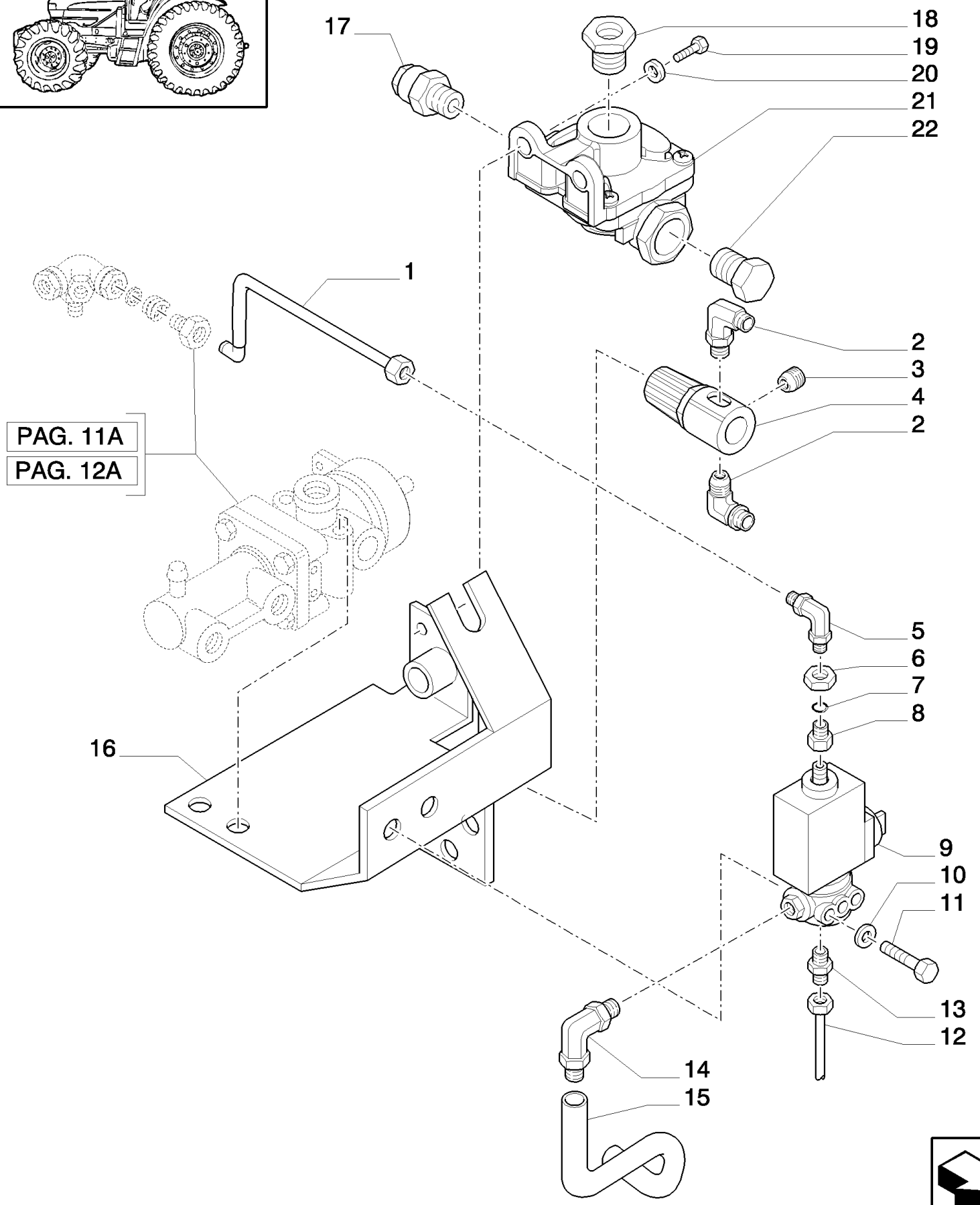
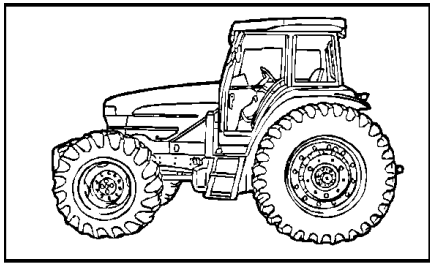


MXM155 CASE IH TRACTOR (6/02- )

1.68.6/01(08) (VAR.385) TRAILER AIR BRAKE GERMANY - BRACKET AND RELEVANT PARTS - C5339

сылка	Номер детали	Кол-во	Описание
1	82019622	1	TUBE, PLASTIC-RUBBER,
2	82024156	2	ELBOW,
3	82017203	1	PLUG,
4	82016887	1	VALVE, CONTROL,
5	82019627	1	ELBOW,
6	82019834	1	NUT,
7	82019835	1	GASKET,
8	82019833	1	ADAPTER,
9	82006252	1	VALVE, CONTROL,
10	10516674	2	WASHER, LOCK, 5/16", (M8)
11	16201324	2	BOLT, Hex, M8 x 60,
12	82019793	1	HOSE,
13	82006828	1	ADAPTER,
14	82017199	1	ELBOW,
15	82019624	1	TUBE, 270 mm lg, TM120, TM130, TM140, TM155
16	82020512	1	BRACKET,

C5339 Serial N.ACM268362



PAG. 11A  
PAG. 12A

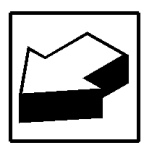
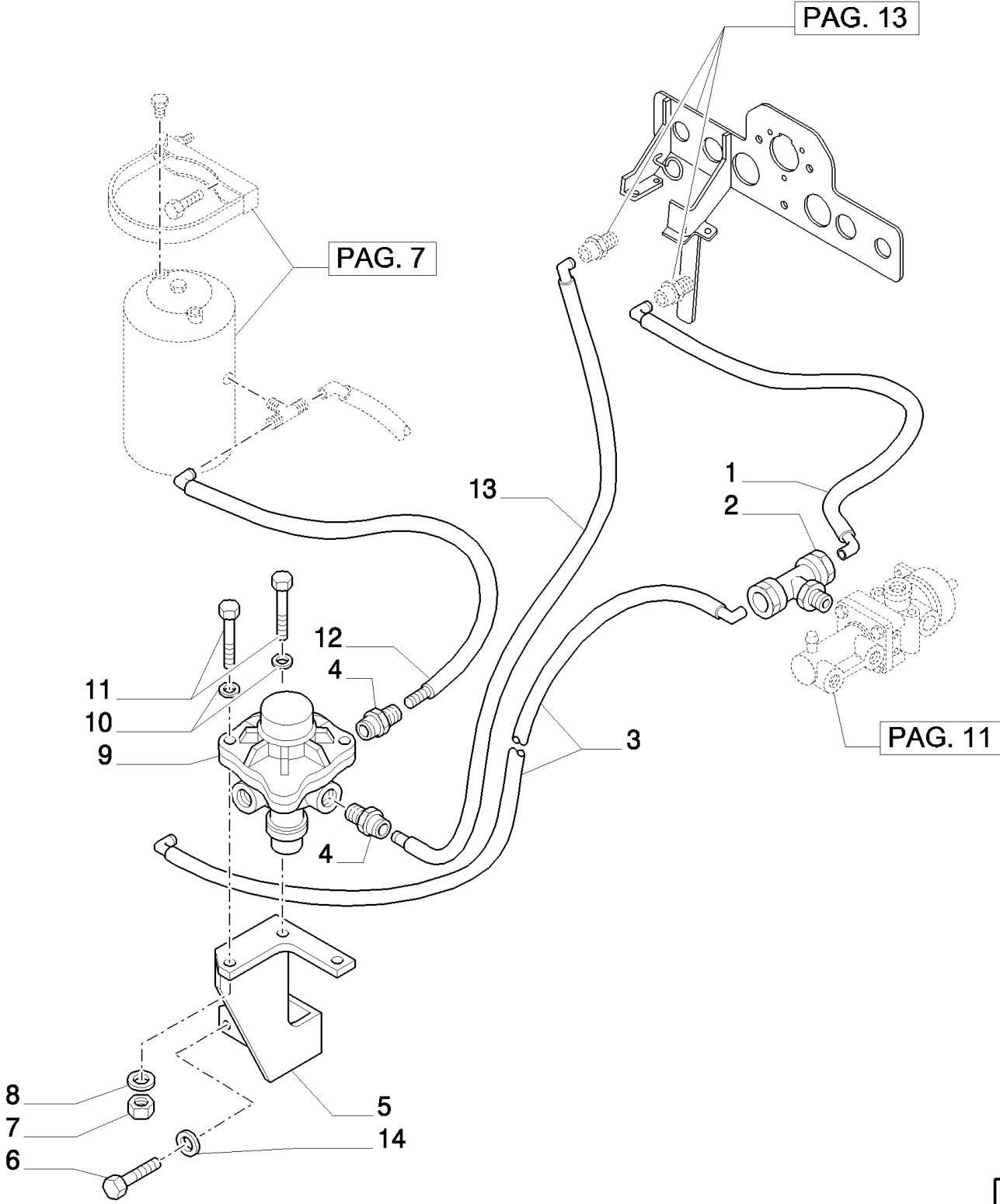
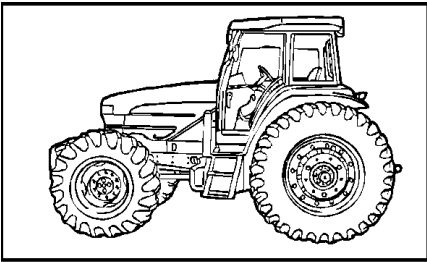


MXM155 CASE IH TRACTOR (6/02- )

1.68.6/01(08A) (VAR.385) TRAILER AIR BRAKE GERMANY - BRACKET AND RELEVANT PARTS - D5339

сылка	Номер детали	Кол-во	Описание
1	82019622	1	TUBE, PLASTIC-RUBBER,
2	82024156	2	ELBOW,
3	82017203	1	PLUG,
4	82016887	1	VALVE, CONTROL,
5	82019627	1	ELBOW,
6	82019834	1	NUT,
7	82019835	1	GASKET,
8	82019833	1	ADAPTER,
9	82006252	1	VALVE, CONTROL,
10	10516674	2	WASHER, LOCK, 5/16", (M8)
11	16201324	2	BOLT, Hex, M8 x 60,
12	82019793	1	HOSE,
13	82006828	1	ADAPTER,
14	82017199	1	ELBOW,
15	82019624	1	TUBE, 270 mm lg, TM120, TM130, TM140, TM155
16	87387687	1	BRACKET,
17	82017722	1	ADAPTER,
18	82036156	1	FITTING,
19	16043621	2	BOLT, Hex, M8 x 25, 8.8,
20	14496501	2	WASHER, M8 x 16 x 1.6,
21	82033387	1	TRAILER BRAKE VALVE,
22	82014913	1	PLUG,

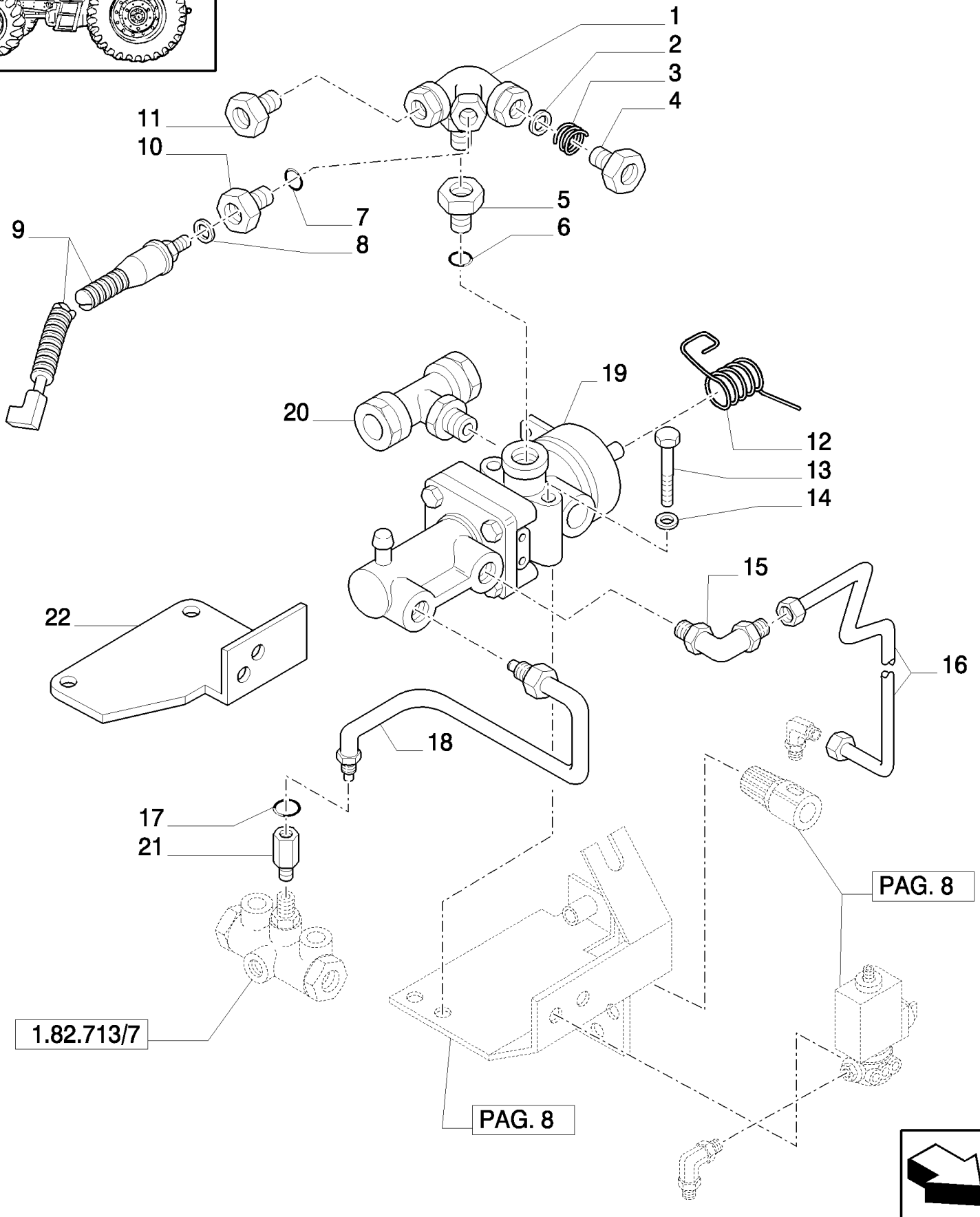
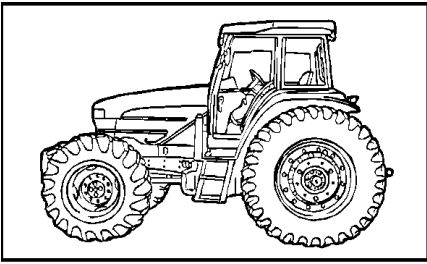
D5339 Serial N.ACM268363



MXM155 CASE IH TRACTOR (6/02- )

1.68.6/01(09) (VAR.385) TRAILER AIR BRAKE GERMANY - TRAILER BRAKE CONTROL VALVE AND PIPES

сылка	Номер детали	Кол-во	Описание
1	82019633	1	TUBE, Yellow
2	82006829	1	TEE,
3	82019631	1	TUBE,
4	82017722	2	ADAPTER,
5	82020424	1	BRACKET,
6	11106021	2	BOLT, Hex, M10 x 20, 8.8, Full Thd,
7	11701721	3	NUT, M10, CI 10,
8	14496621	3	WASHER, M10 x 21 x 2,
9	82006250	1	VALVE, CONTROL,
10	10516674	2	WASHER, LOCK, 5/16", (M8)
11	16043424	2	SCREW, Hex, M8 x 20, 8.8, Full Thd,
12	82014915	1	TUBE,
13	82018668	1	TUBE, Black
14	14496604	2	WASHER, M10 x 21 x 2,



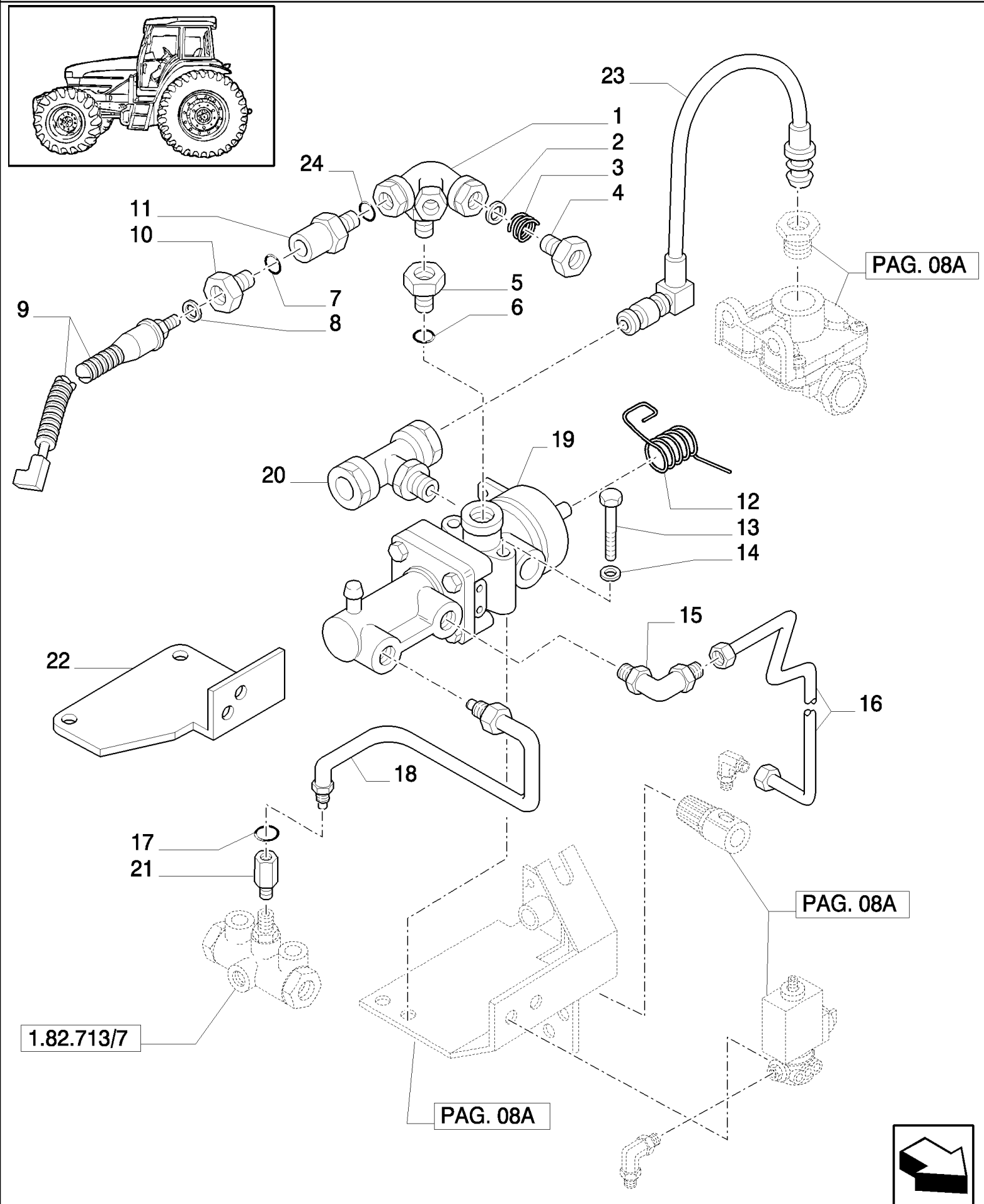
MXM155 CASE IH TRACTOR (6/02- )

1.68.6/01(11) (VAR.385) TRAILER AIR BRAKE GERMANY - AIR BRAKE CONTROL VALVE - C5339

сылка	Номер детали	Кол-во	Описание
1	82019795	1	FITTING,
2	82019802	1	CLIP,
3	82019801	1	GASKET,
4	82019803	1	NUT,
5	82019796	1	NUT,
6	82019797	1	O-RING,
7	82019799	1	O-RING,
8	5169544	1	SEAL,
9	82017517	1	SWITCH, Transducer, Air Brake Pressure
10	82019800	1	ADAPTER,
11	82019798	1	ADAPTER,
12	82019558	1	SPRING,
13	16201324	2	BOLT, Hex, M8 x 60,
14	10516674	2	WASHER, LOCK, 5/16", (M8)
15	82017199	1	ELBOW,
16	82019623	1	TUBE,
17	10261060	1	WASHER, COPPER, M12.2 x 16 x 1.5,
18	82019629	1	TUBE,
19	82016341	1	VALVE, CONTROL,
20	82006829	1	TEE,
21	82016141	1	FITTING,
22	82019617	1	BRACKET,

C5339 Serial N.ACM268362



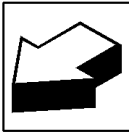
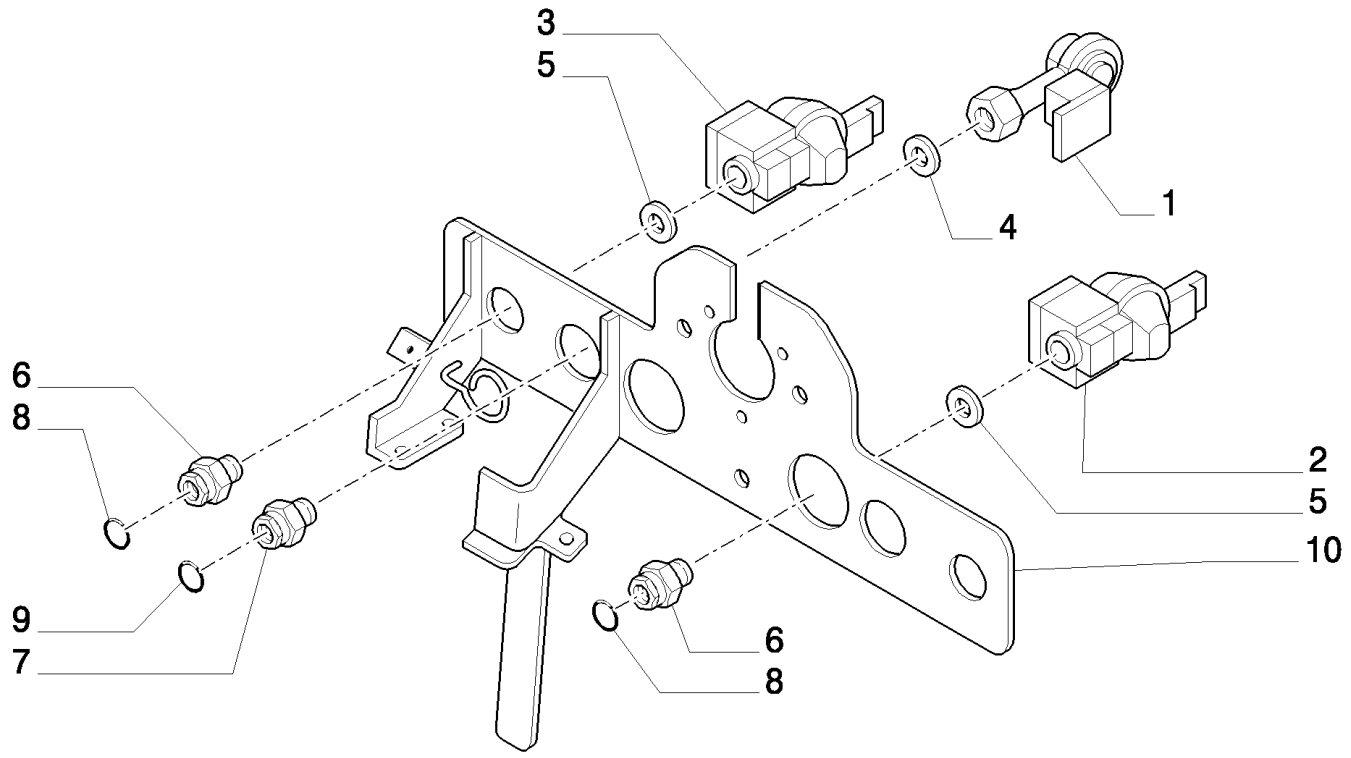
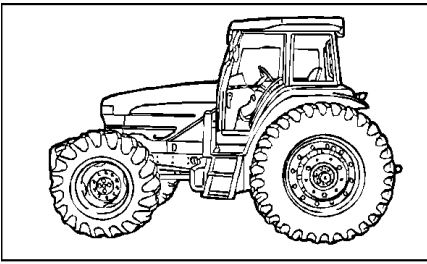


MXM155 CASE IH TRACTOR (6/02- )

1.68.6/01(11A) (VAR.385) TRAILER AIR BRAKE GERMANY - AIR BRAKE CONTROL VALVE - D5339

сылка	Номер детали	Кол-во	Описание
1	82019795	1	FITTING,
2	82019802	1	CLIP,
3	82019801	1	GASKET,
4	82019803	1	NUT,
5	82019796	1	NUT,
6	82019797	1	O-RING,
7	82019799	1	O-RING,
8	5169544	1	SEAL,
9	82017517	1	SWITCH, Transducer, Air Brake Pressure
10	82019800	1	ADAPTER,
11	87392490	1	ADAPTER,
12	82019558	1	SPRING,
13	16201324	2	BOLT, Hex, M8 x 60,
14	10516674	2	WASHER, LOCK, 5/16", (M8)
15	82017199	1	ELBOW,
16	82019623	1	TUBE,
17	10261060	1	WASHER, COPPER, M12.2 x 16 x 1.5,
18	82019629	1	TUBE,
19	82016341	1	VALVE, CONTROL,
20	82006829	1	TEE,
21	82016141	1	FITTING,
22	82019617	1	BRACKET,
23	87389131	1	TUBE,
24	87392491	1	O-RING,

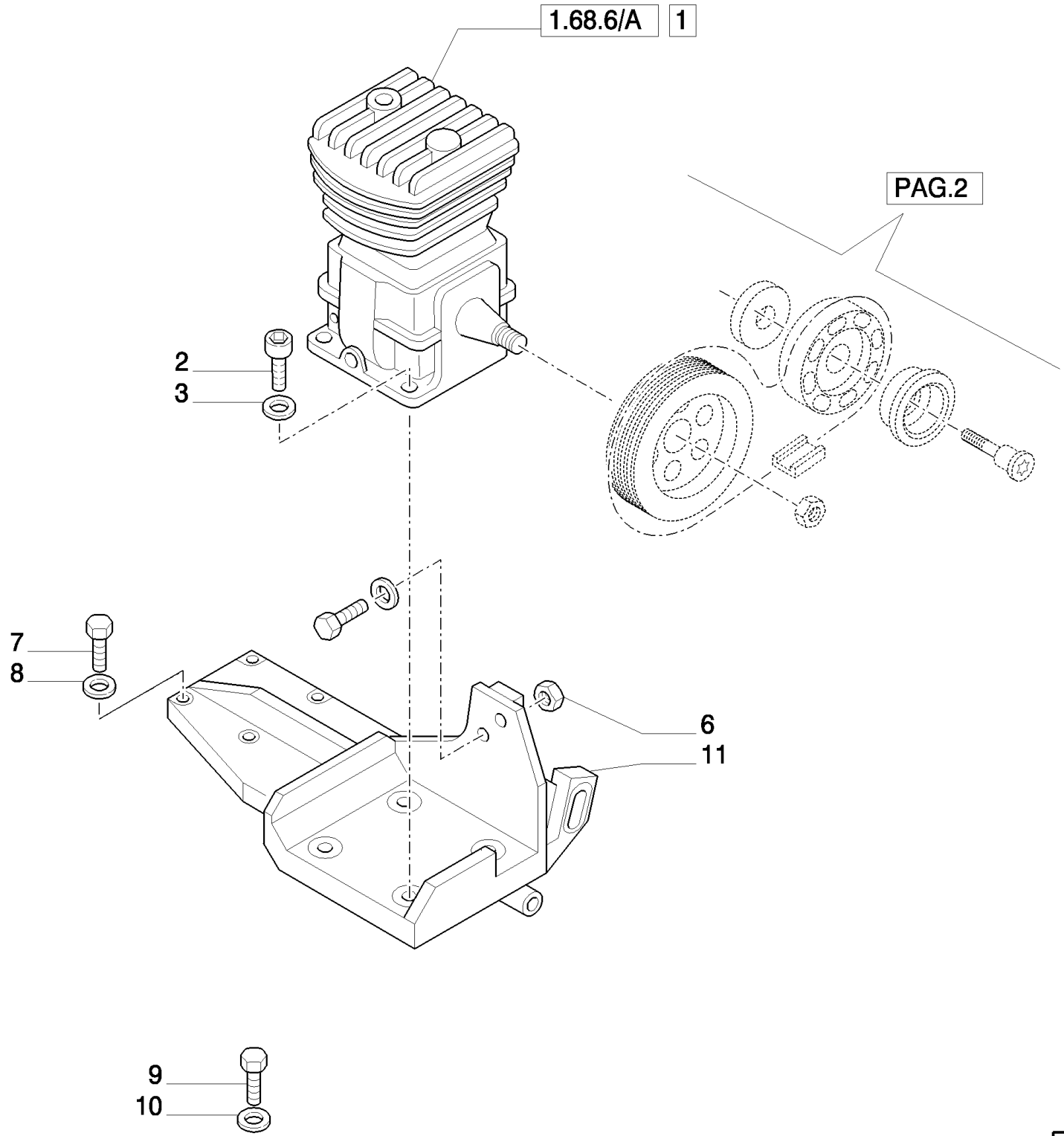
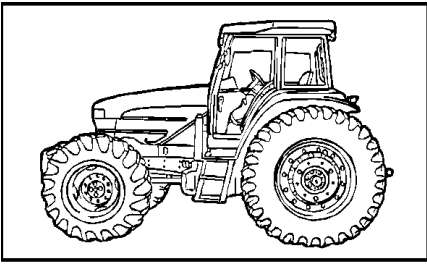
D5339 Serial N.ACM268363



MXM155 CASE IH TRACTOR (6/02- )

1.68.6/01(13) (VAR.385) TRAILER AIR BRAKE GERMANY - AIR BRAKE BRACKET AND RELEVANT PARTS

сылка	Номер детали	Кол-во	Описание
1	82001018	1	COUPLING, Black
2	82001020	1	COUPLING, Yellow
3	82001019	1	COUPLING, Red
4	82006328	1	WASHER, LOCK, M22
5	82006327	2	WASHER, LOCK, M16
6	82006298	2	ADAPTER, M16
7	82006297	1	CONNECTOR, HYD., M22
8	82006329	2	GASKET,
9	82006330	1	O-RING,
10	87308079	1	BRACKET,
11	82030536	1	BRACKET,
12	10902424	2	BOLT, Hex, M6 x 20, 8.8, Full Thd,
13	14496404	2	WASHER, LOCK, M6 x 12.5

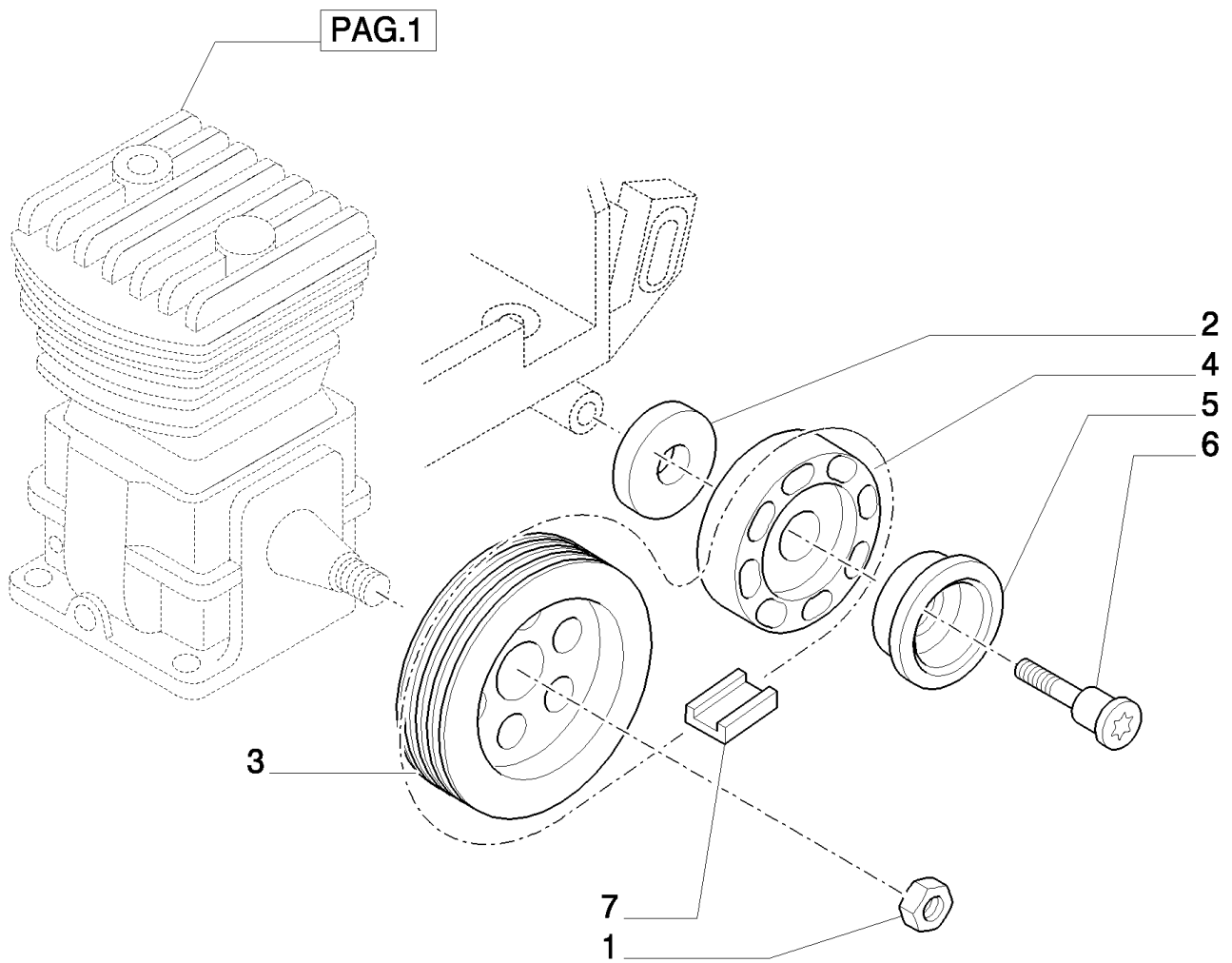
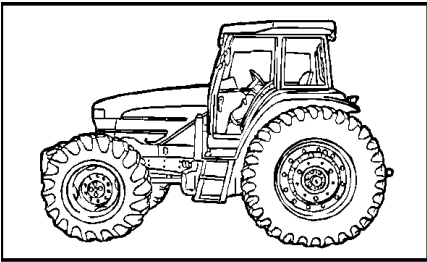


MXM155 CASE IH TRACTOR (6/02- )

1.68.6/02(01) (VAR.385/1) UNIVERSAL TRAILER AIR BRAKE - BRACKET FOR AIR COMPRESSOR

сылка	Номер детали	Кол-во	Описание
1	82003029	1	COMPRESSOR, AIR, Assy
2	14306624	4	SCREW, Hex Soc Hd, M8 x 35, 10.9,
3	80080681	4	WASHER, LOCK, 5/16"
4	16204724	2	BOLT, Hex, M10 x 45,
5	12605671	2	WASHER, LOCK, Int Tooth, M10,
6	12164714	2	NUT, M10 x 1.25, CI 8,
7	15213321	4	BOLT, Hex, M8 x 35, 8.8,
8	14496504	4	WASHER, M8 x 17 x 1.6,
9	81865025	1	BOLT, HH, M10 x 1.5 x 65
9	83905793	1	SCREW, 7/16"-14 x 5"
10	100016	1	NUT, M10, CI 8,
10	80087363	1	WASHER, 7/16" x 0.92"
11	82024883	1	BRACKET, , -C5557
11	87344521	1	BRACKET, , D5557-

D5557 After Date 31 October 2006

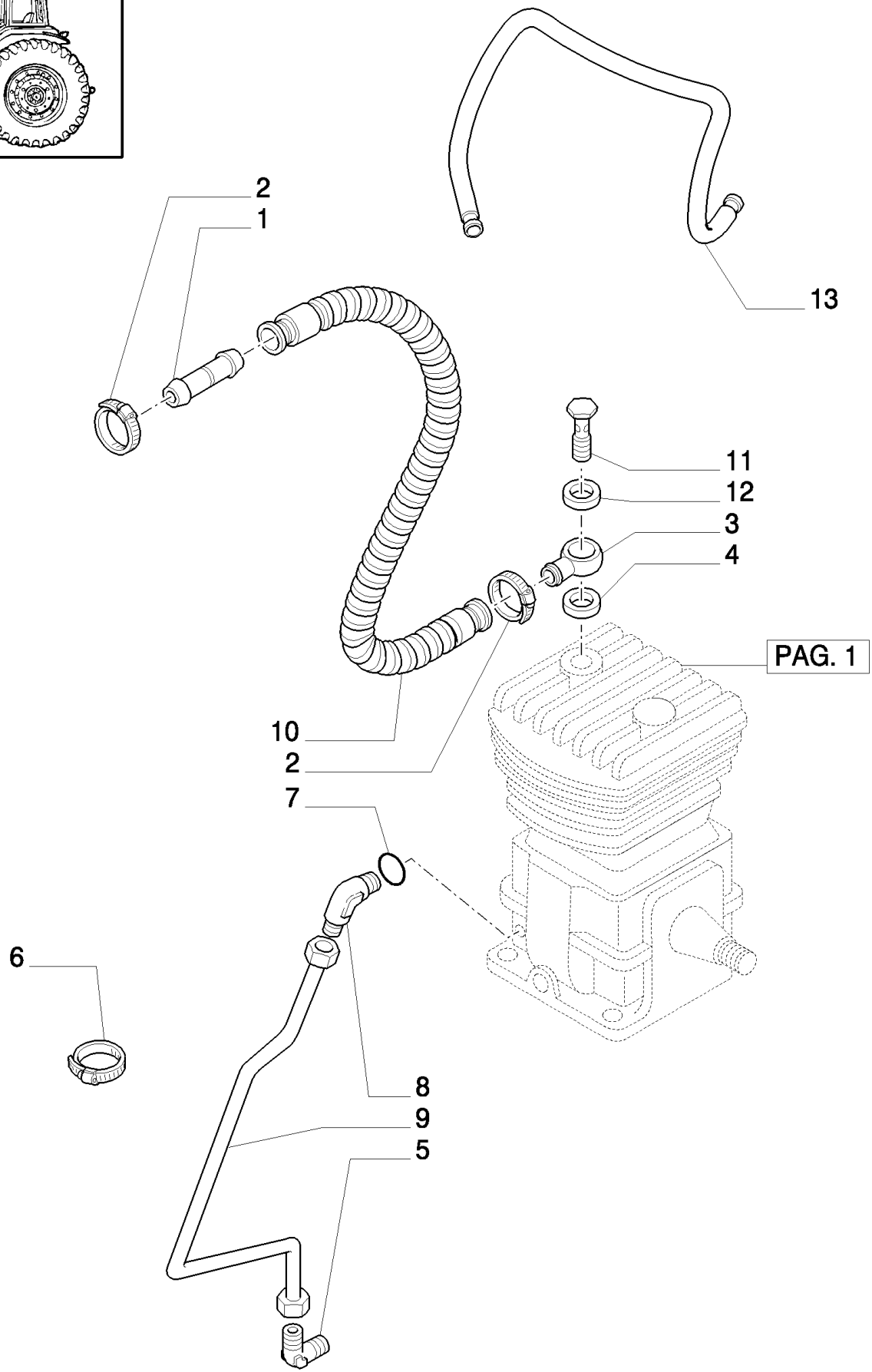
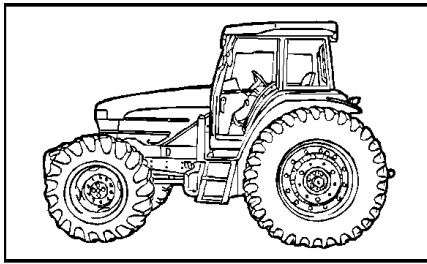


MXM155 CASE IH TRACTOR (6/02- )

1.68.6/02(02) (VAR.385/1) UNIVERSAL TRAILER AIR BRAKE - TRANSMISSION BRAKE PULLEY

сылка	Номер детали	Кол-во	Описание
1	14088711	1	NUT, M12 x 1.25
2	82024061	1	SPACER,
3	82020926	1	PULLEY,
4	82024062	1	IDLER,
5	87840420	1	COVER,
6	82024060	1	SCREW, M12 x 1.25 x 60
7	82021010	1	BELT, Air Compressor



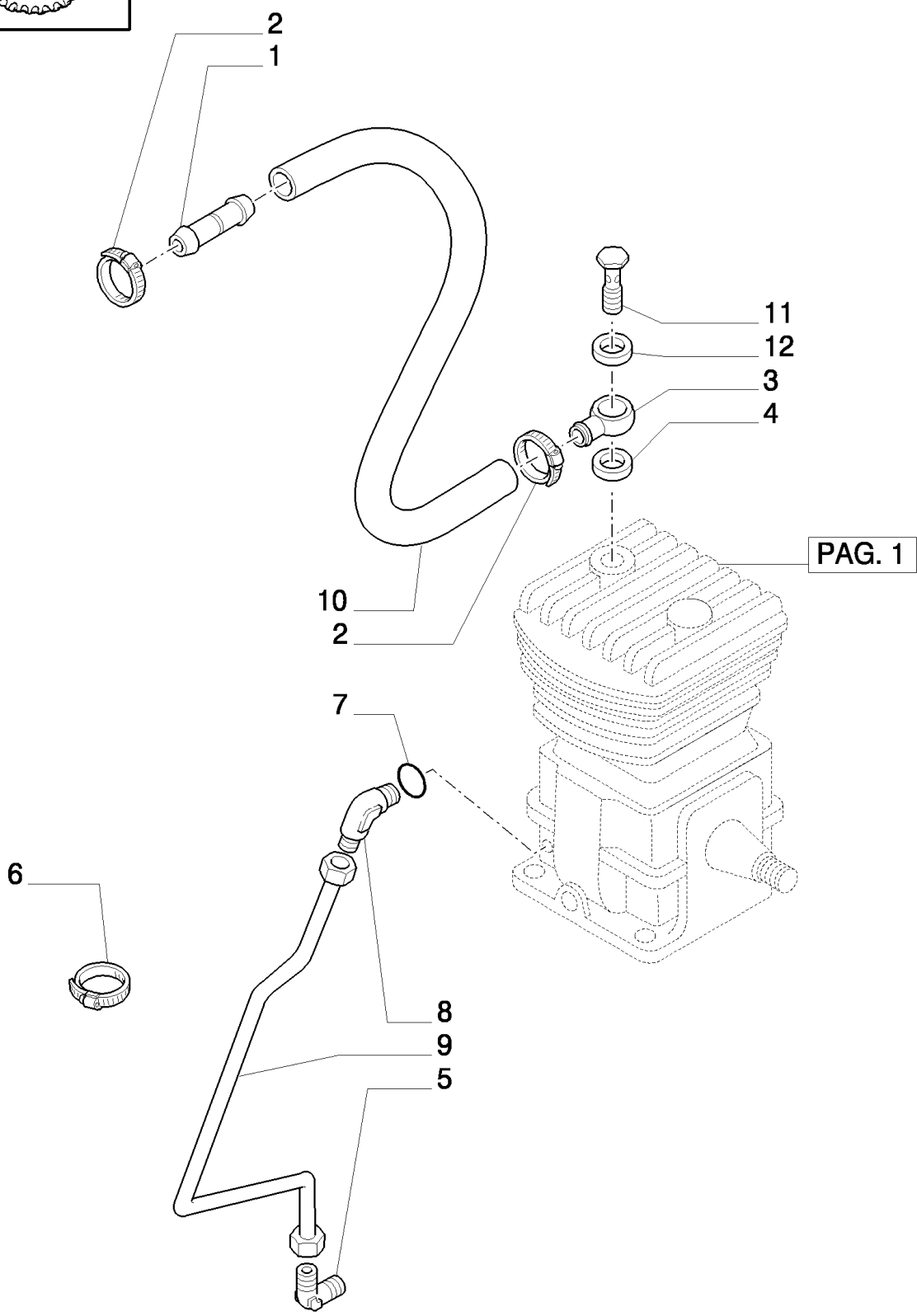
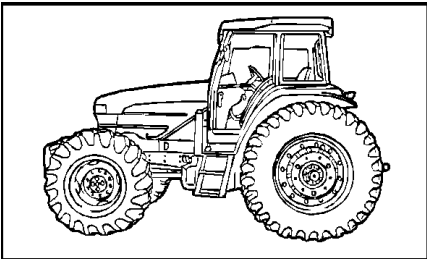


MXM155 CASE IH TRACTOR (6/02- )

1.68.6/02(03) (VAR.385/1) UNIVERSAL TRAILER AIR BRAKE - PIPES - C5419

сылка	Номер детали	Кол-во	Описание
1	82019397	1	FITTING,
2	82036709	3	CLAMP, HOSE,
3	82031551	1	FITTING, M26 x 1.5
4	82032018	1	SPACER, M26
5	86512947	1	ELBOW, 90є, 7/16"-20, 37є x 1/8"-27, NPTF,
6	263117	2	STRAP, CABLE, .14" x 11 1/2",
7	14437585	1	O-RING, 8MM ID x 1.5 Thk,
8	82002502	1	ELBOW,
9	82020927	1	TUBE, , BSN ACM262152
9	87349039	1	TUBE, , ASN ACM262153
10	82033110	1	HOSE, FLEXIBLE, , -C5221
11	82031550	1	BOLT, BANJO, M26 x 1.5
12	82031552	1	WASHER, COPPER, M26 x 32 x 1.5
13	87346075	1	HOSE, FLEXIBLE, , D5221-

D5221 After Date 01 August 2005 D5333 Serial N.ACM262153 C5419 Serial N.ACM275357

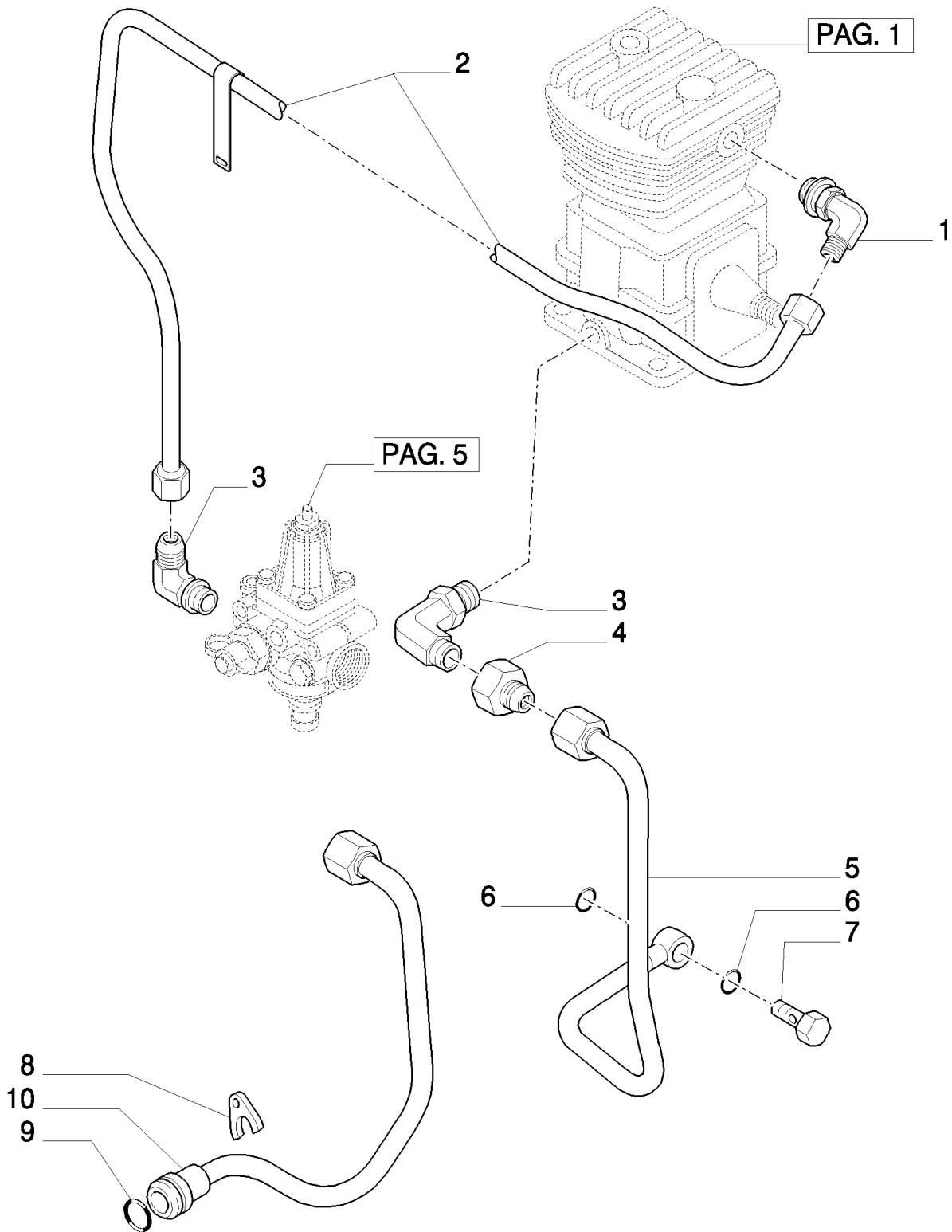
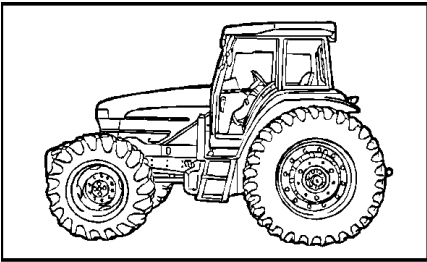


MXM155 CASE IH TRACTOR (6/02- )

1.68.6/02(03A) (VAR.385/1) UNIVERSAL TRAILER AIR BRAKE - PIPES - D5419

сылка	Номер детали	Кол-во	Описание
1	82019397	1	FITTING,
2	82036709	3	CLAMP, HOSE,
3	82031551	1	FITTING, M26 x 1.5
4	82032018	1	SPACER, M26
5	86512947	1	ELBOW, 90°, 7/16"-20, 3/8" x 1/8"-27, NPTF,
6	263117	2	STRAP, CABLE, .14" x 11 1/2",
7	14437585	1	O-RING, 8MM ID x 1.5 Thk,
8	82002502	1	ELBOW,
9	87349039	1	TUBE,
10	87392969	1	HOSE, FLEXIBLE,
11	82031550	1	BOLT, BANJO, M26 x 1.5
12	82031552	1	WASHER, COPPER, M26 x 32 x 1.5

D5221 After Date 01 August 2005 D5333 Serial N.ACM262153 D5419 Serial N.ACM275357

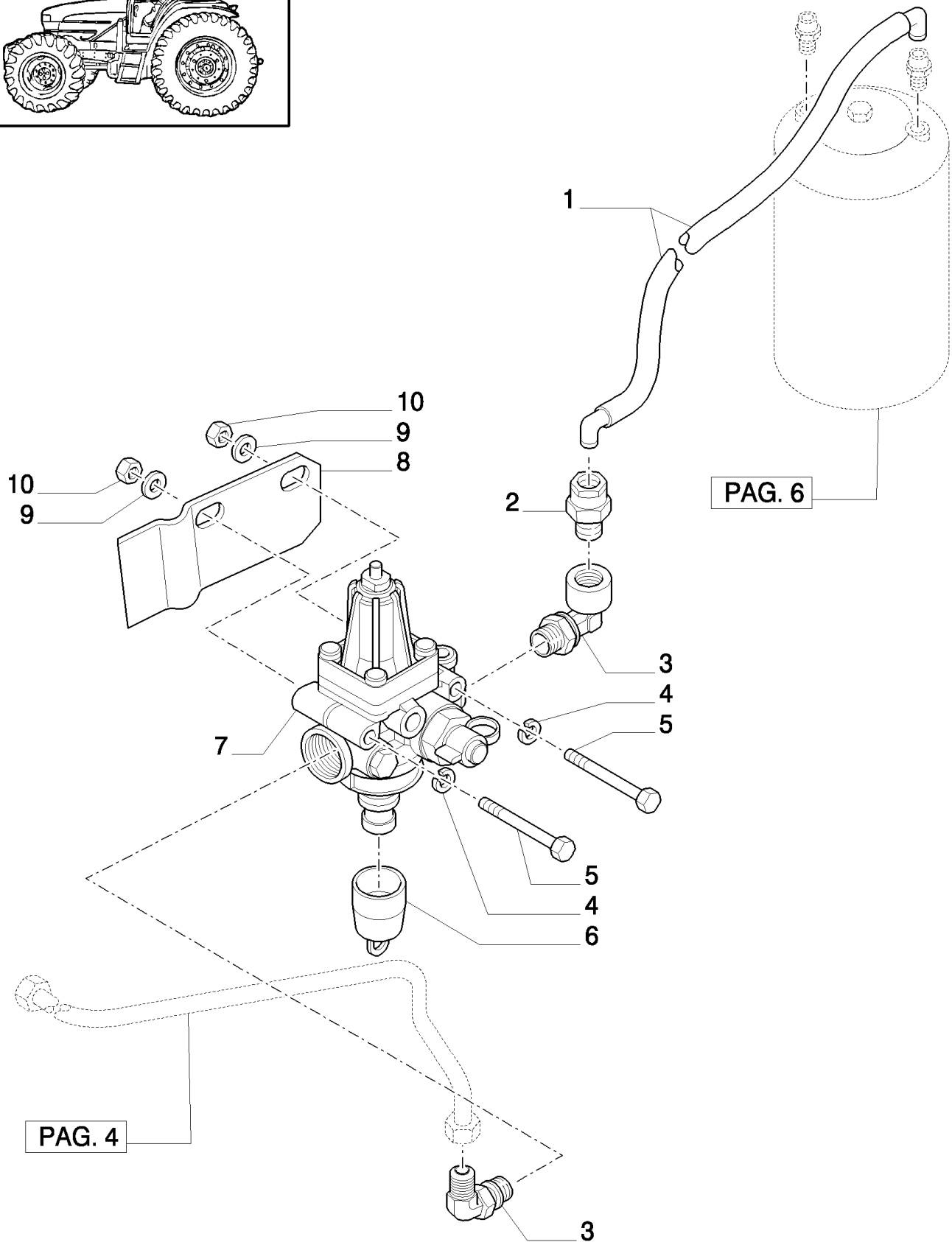
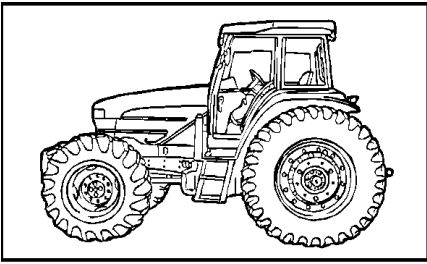


MXM155 CASE IH TRACTOR (6/02- )

1.68.6/02(04) (VAR.385/1) UNIVERSAL TRAILER AIR BRAKE - PIPES

сылка	Номер детали	Кол-во	Описание
1	82003205	1	CONNECTOR, HYD.,
2	82020929	1	TUBE, , BSN 217254
2	82033310	1	TUBE, , ASN 217255
3	82003206	2	ELBOW,
4	82006545	1	ADAPTER, , BSN ACM262152
5	82020928	1	TUBE, , BSN ACM262152
6	4858609	2	O-RING, , BSN ACM262152
7	10184417	1	BOLT, BANJO, M16 x 1.5 x 31, , BSN ACM262152
8	2853564	1	BRACKET, , ASN ACM262153
9	14457580	1	O-RING, -117, 70 Duro, .799" ID x .103" Thk, , ASN ACM262153
10	87347563	1	, ACM262153-C5334
10	87398436	1	TUBE, , D5334-

D4855 Serial N.217255 D5333 Serial N.ACM262153 D5334 After Date 20 February 2006



PAG. 4

PAG. 6

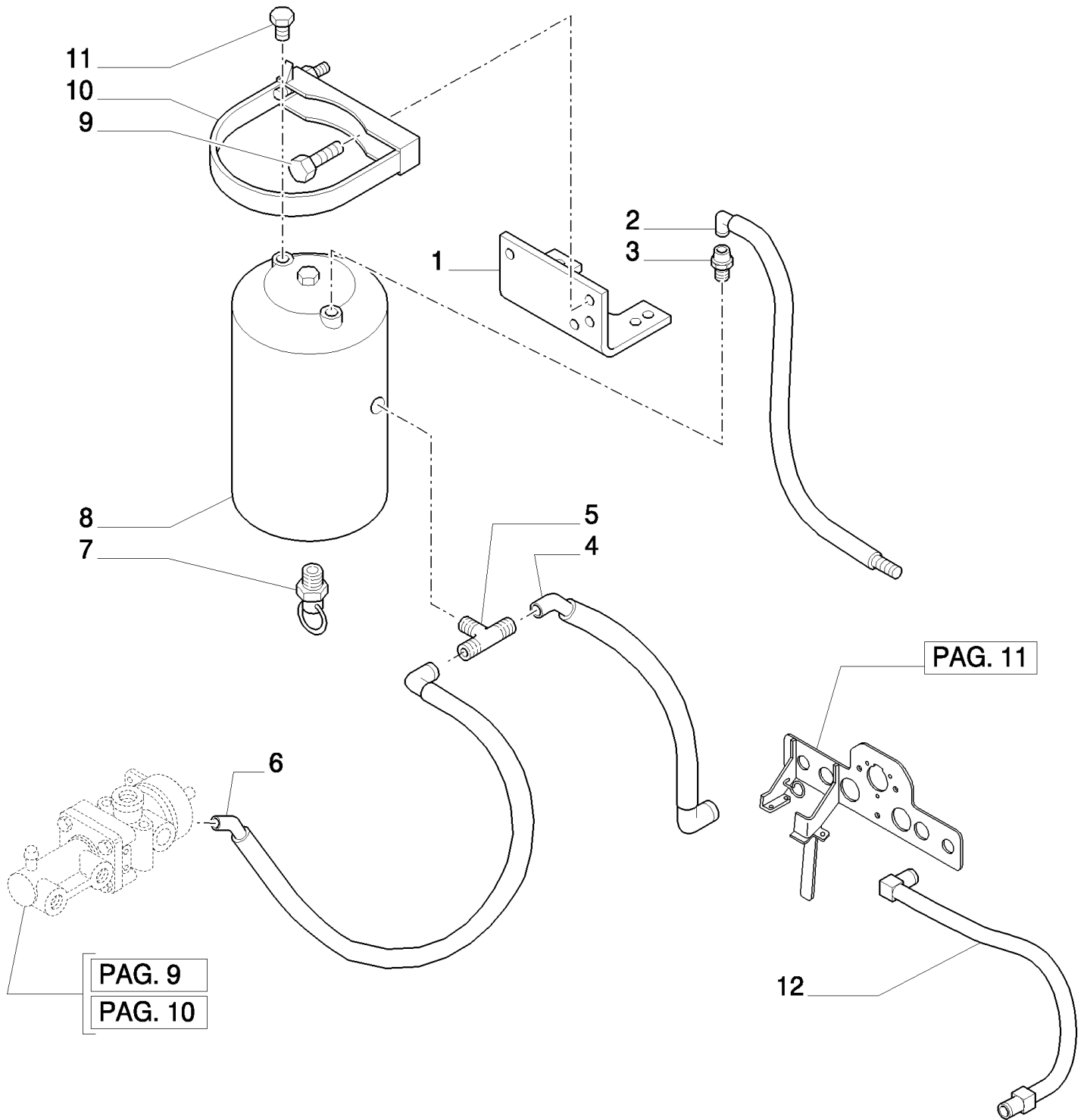
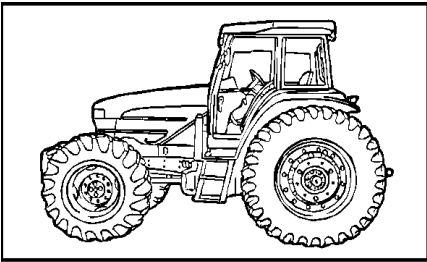


MXM155 CASE IH TRACTOR (6/02- )

1.68.6/02(05) (VAR.385/1) UNIVERSAL TRAILER AIR BRAKE - PRESSURE ADJUSTMENT VALVE

сылка	Номер детали	Кол-во	Описание
1	82018525	1	TUBE, MXM120, MXM130, MXM140, MXM155
1	82019196	1	TUBE, MXM175, MXM190
2	82017722	1	ADAPTER,
3	82003206	2	ELBOW,
4	10516674	2	WASHER, LOCK, 5/16", (M8)
5	16201624	2	BOLT, Hex, M8 x 75,
6	82001979	1	VALVE,
7	82001015	1	VALVE, CONTROL,
8	82018549	1	BRACKET,
9	14496504	2	WASHER, M8 x 17 x 1.6,
10	16100811	2	NUT, M8, CI 8,





PAG. 9  
PAG. 10

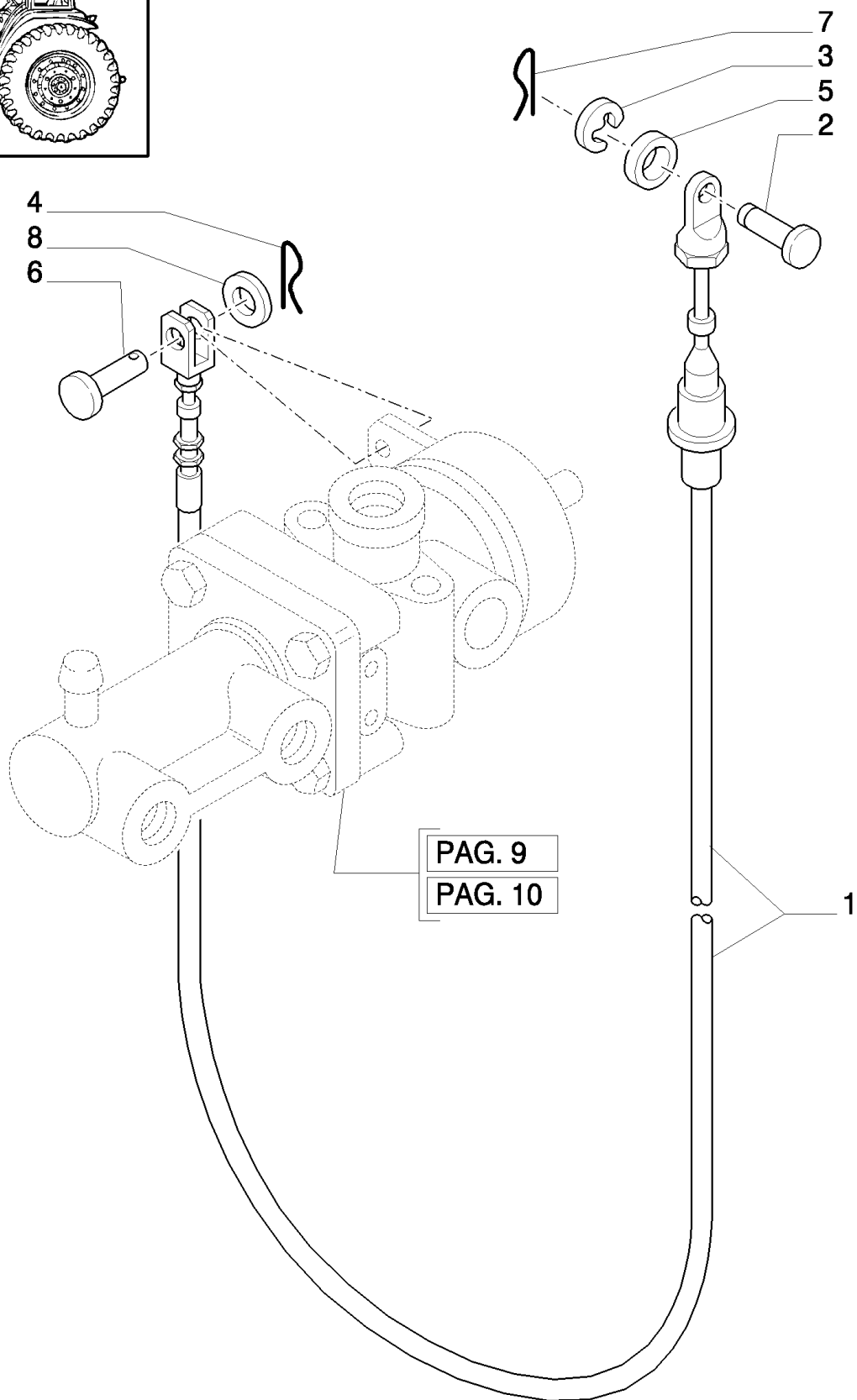
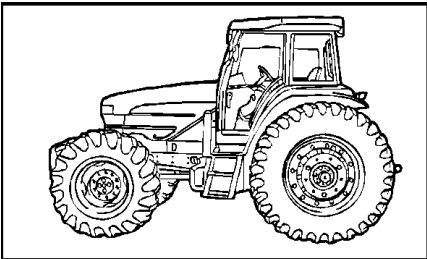
PAG. 11



MXM155 CASE IH TRACTOR (6/02- )

1.68.6/02(06) (VAR.385/1) UNIVERSAL TRAILER AIR BRAKE - AIR TANK AND PIPES

сылка	Номер детали	Кол-во	Описание
1	82011501	1	BRACKET,
2	82018525	1	TUBE, MXM120, MXM130, MXM140, MXM155
2	82019196	1	TUBE, MXM175, MXM190
3	82017722	1	ADAPTER,
4	82024867	1	HOSE, FLEXIBLE, MXM120, MXM130, MXM140, MXM155
4	82023451	1	TUBE, MXM175, MXM190
5	82014912	1	PLUG,
6	82030974	1	TUBE, Polyamide Tube - 950 mm lg
7	82004266	1	VALVE,
8	82020479	1	RESERVOIR, AIR,
9	10979224	2	BOLT, Hex, M10 x 16, 8.8, Full Thd,
10	82020478	1	BRACKET,
11	82014913	1	PLUG,
12	82019633	1	TUBE, MXM120, MXM130, MXM140, MXM155
12	82023450	1	TUBE, MXM175, MXM190



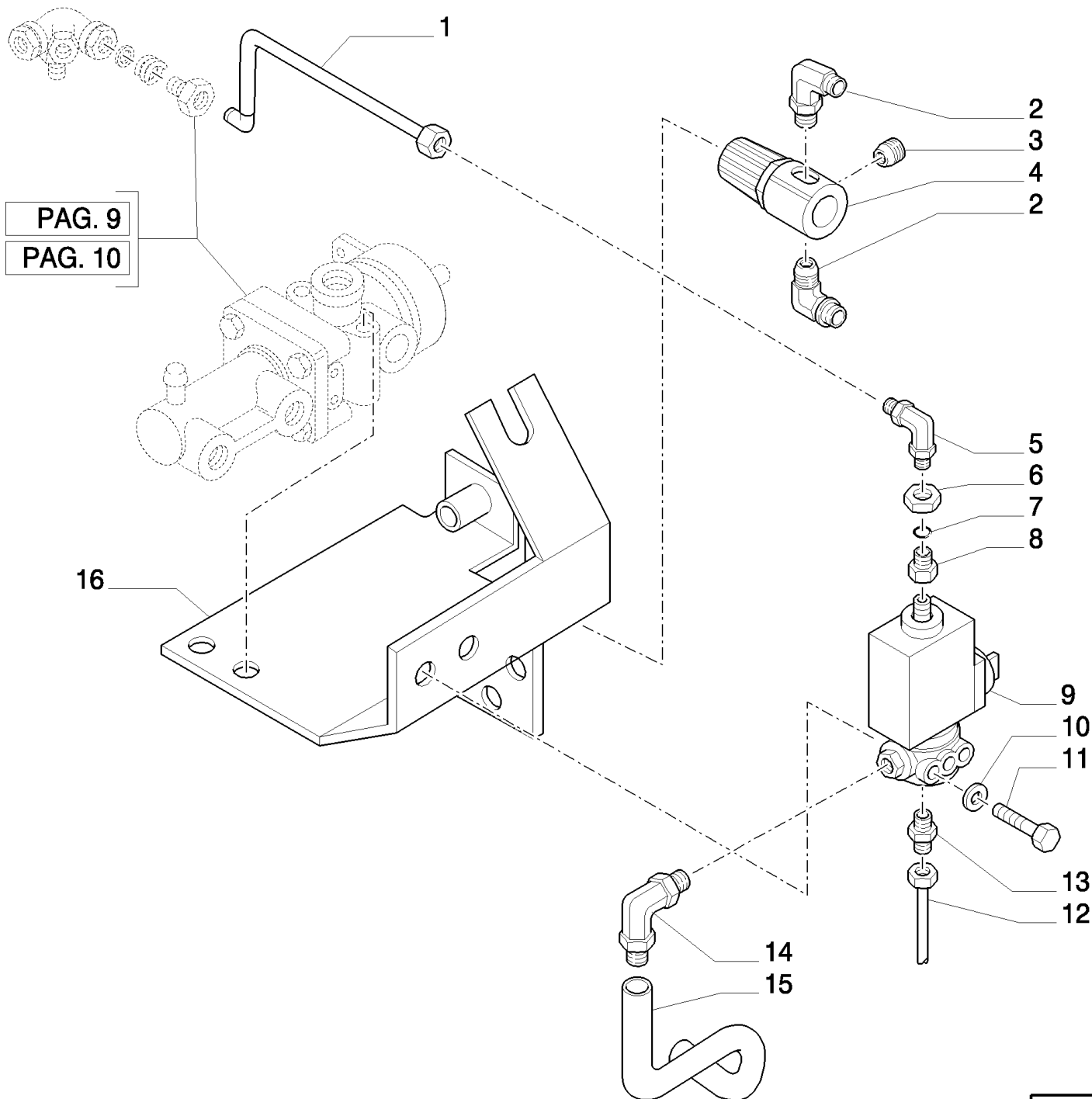
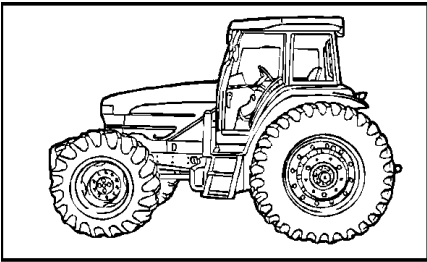
PAG. 9  
PAG. 10



MXM155 CASE IH TRACTOR (6/02- )

1.68.6/02(07) (VAR.385/1) UNIVERSAL TRAILER AIR BRAKE - AIR BRAKE CABLE

сылка	Номер детали	Кол-во	Описание
1	87567763	1	CABLE, MXM120, MXM130, MXM140, MXM155
1	82032323	1	CABLE, MXM175, MXM190
2	82019625	1	PIN,
3	11087374	2	CIRCLIP, M13,
4	10734401	1	PIN, SPLIT (COTTER), M2 x 22,
5	82019659	1	SPACER, M10 x 19 x 8.5, MXM120, MXM130, MXM140, MXM155
6	10050811	1	PIN, M8
7	10766901	1	PIN, SPLIT (COTTER), M3.2 x 25,
8	11193874	1	WASHER, SPRING, Belleville, M8.4,

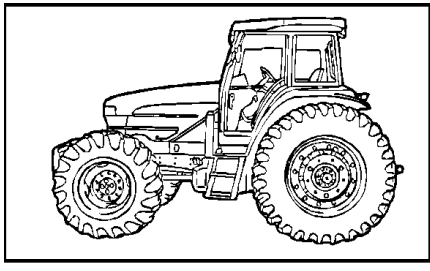


MXM155 CASE IH TRACTOR (6/02- )

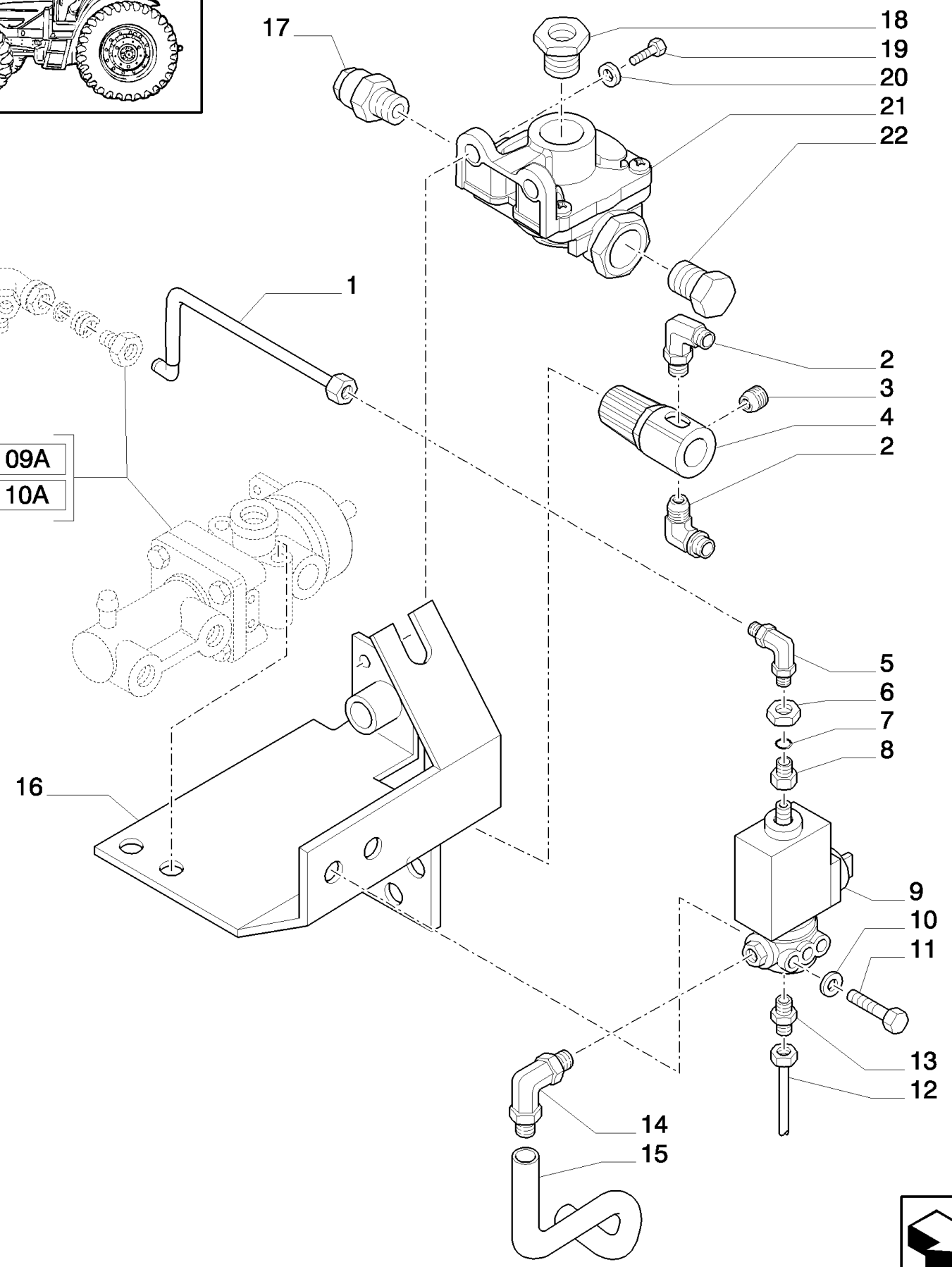
1.68.6/02(08) (VAR.385/1) UNIVERSAL TRAILER AIR BRAKE - BRACKET AND RELEVANT PARTS - C5339

сылка	Номер детали	Кол-во	Описание
1	82019622	1	TUBE, PLASTIC-RUBBER,
2	82024156	2	ELBOW,
3	82017203	1	PLUG,
4	82016887	1	VALVE, CONTROL,
5	82019627	1	ELBOW,
6	82019834	1	NUT,
7	82019835	1	GASKET,
8	82019833	1	ADAPTER,
9	82006252	1	VALVE, CONTROL,
10	10516674	2	WASHER, LOCK, 5/16", (M8)
11	16201324	2	BOLT, Hex, M8 x 60,
12	82019793	1	HOSE,
13	82006828	1	ADAPTER,
14	82017199	1	ELBOW,
15	82019624	1	TUBE, 270 mm lg, MXM120, MXM130, MXM140, MXM155
16	82020512	1	BRACKET,

C5339 Serial N.ACM268362



PAG. 09A  
PAG. 10A



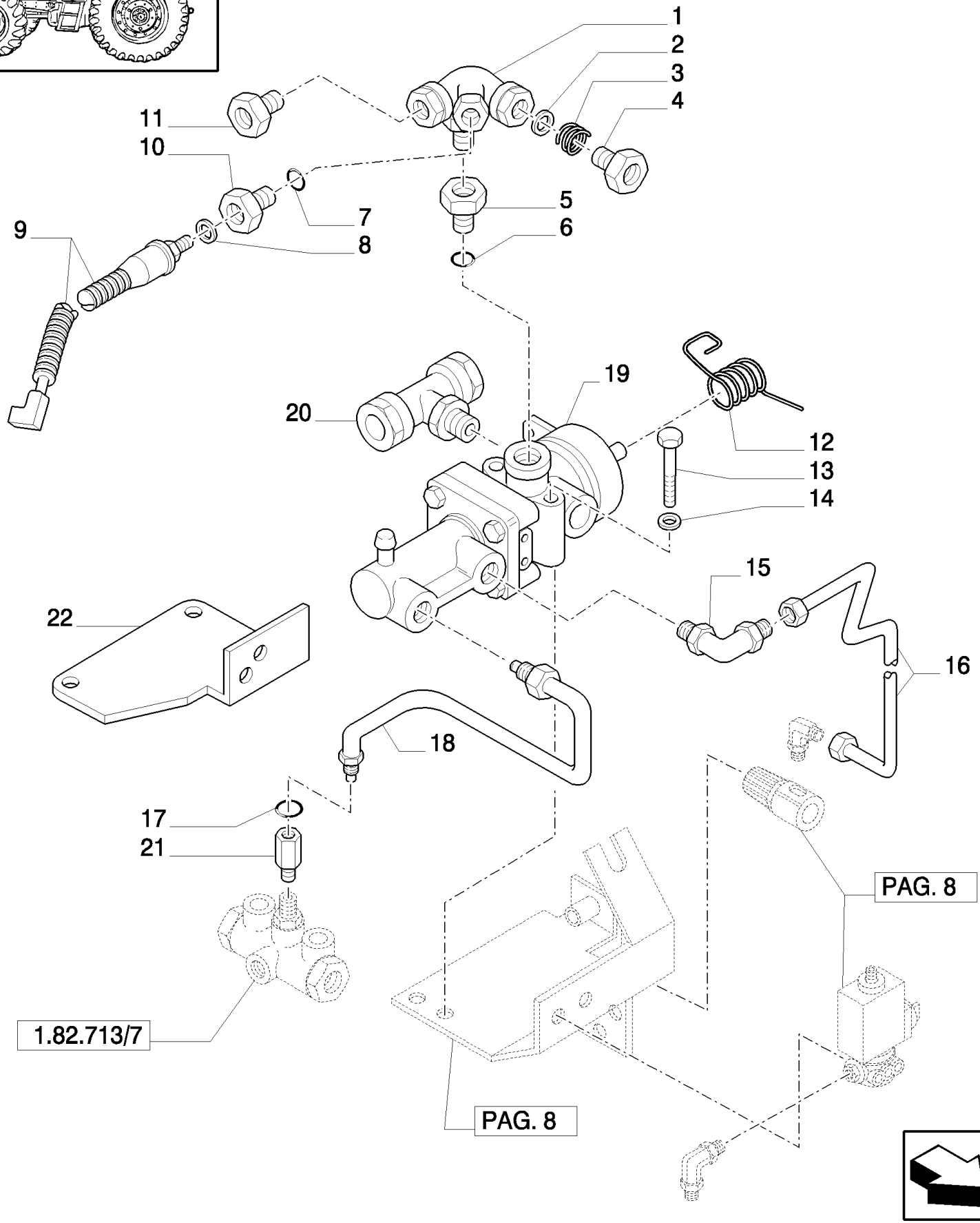
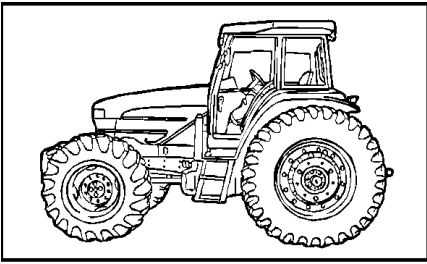
MXM155 CASE IH TRACTOR (6/02- )

1.68.6/02(08A) (VAR.385/1) UNIVERSAL TRAILER AIR BRAKE - BRACKET AND RELEVANT PARTS - D5339

сылка	Номер детали	Кол-во	Описание
1	82019622	1	TUBE, PLASTIC-RUBBER,
2	82024156	2	ELBOW,
3	82017203	1	PLUG,
4	82016887	1	VALVE, CONTROL,
5	82019627	1	ELBOW,
6	82019834	1	NUT,
7	82019835	1	GASKET,
8	82019833	1	ADAPTER,
9	82006252	1	VALVE, CONTROL,
10	10516674	2	WASHER, LOCK, 5/16", (M8)
11	16201324	2	BOLT, Hex, M8 x 60,
12	82019793	1	HOSE,
13	82006828	1	ADAPTER,
14	82017199	1	ELBOW,
15	82019624	1	TUBE, 270 mm lg, MXM120, MXM130, MXM140, MXM155
16	87387687	1	BRACKET,
17	82017722	1	ADAPTER,
18	82036156	1	FITTING,
19	16043621	2	BOLT, Hex, M8 x 25, 8.8,
20	14496501	2	WASHER, M8 x 16 x 1.6,
21	82033387	1	TRAILER BRAKE VALVE,
22	82014913	1	PLUG,

D5339 Serial N.ACM268363



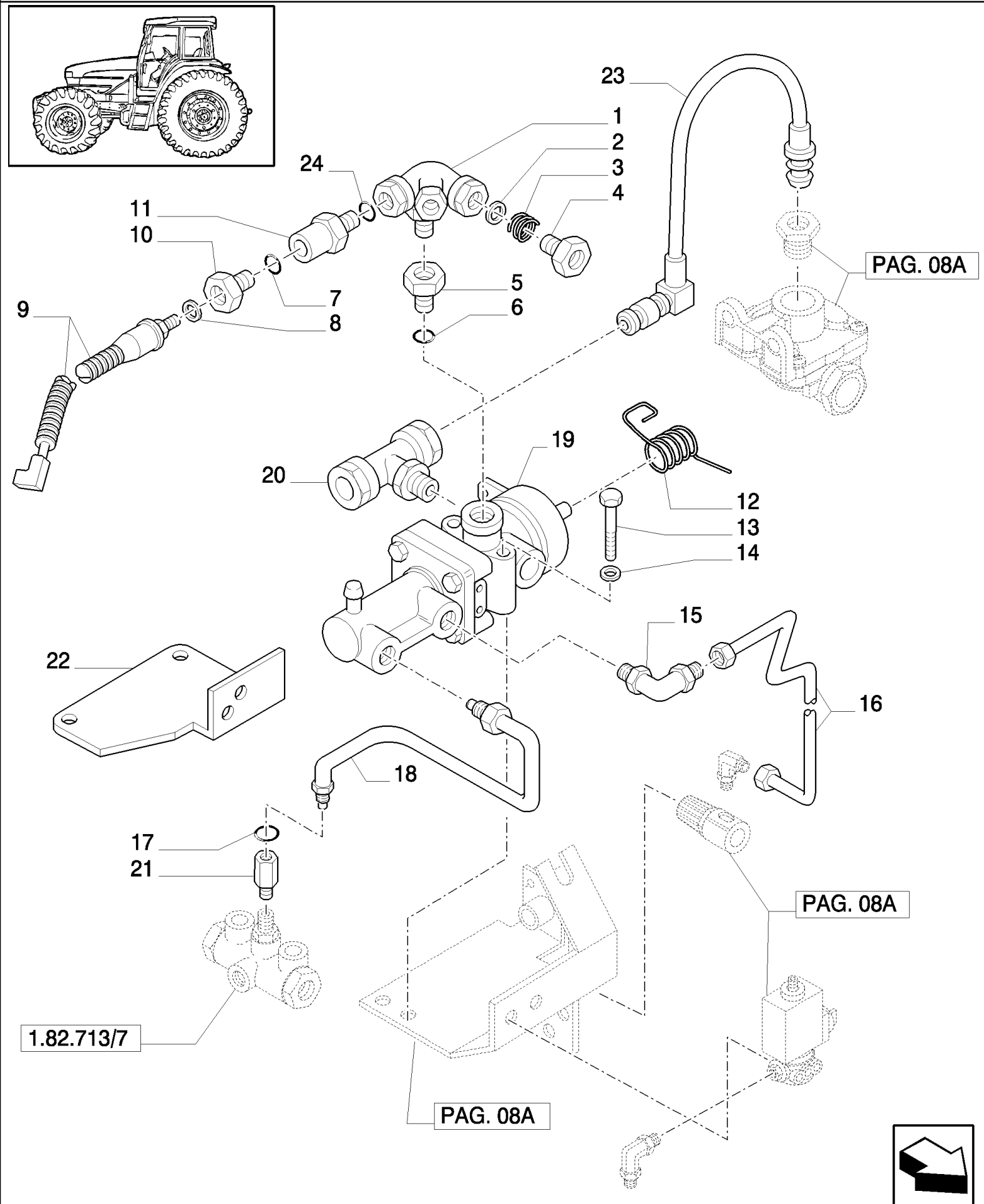


MXM155 CASE IH TRACTOR (6/02- )

1.68.6/02(09) (VAR.385/1) UNIVERSAL TRAILER AIR BRAKE - AIR BRAKE CONTROL VALVE - C5339

сылка	Номер детали	Кол-во	Описание
1	82019795	1	FITTING,
2	82019802	1	CLIP,
3	82019801	1	GASKET,
4	82019803	1	NUT,
5	82019796	1	NUT,
6	82019797	1	O-RING,
7	82019799	1	O-RING,
8	5169544	1	SEAL,
9	82017517	1	SWITCH, Transducer, Air Brake Pressure
10	82019800	1	ADAPTER,
11	82019798	1	ADAPTER,
12	82019558	1	SPRING,
13	16201324	2	BOLT, Hex, M8 x 60,
14	10516674	2	WASHER, LOCK, 5/16", (M8)
15	82017199	1	ELBOW,
16	82019623	1	TUBE,
17	10261060	1	WASHER, COPPER, M12.2 x 16 x 1.5,
18	82019629	1	TUBE,
19	82016341	1	VALVE, CONTROL,
20	82006829	1	TEE,
21	82016141	1	FITTING,
22	82019617	1	BRACKET,

C5339 Serial N.ACM268362

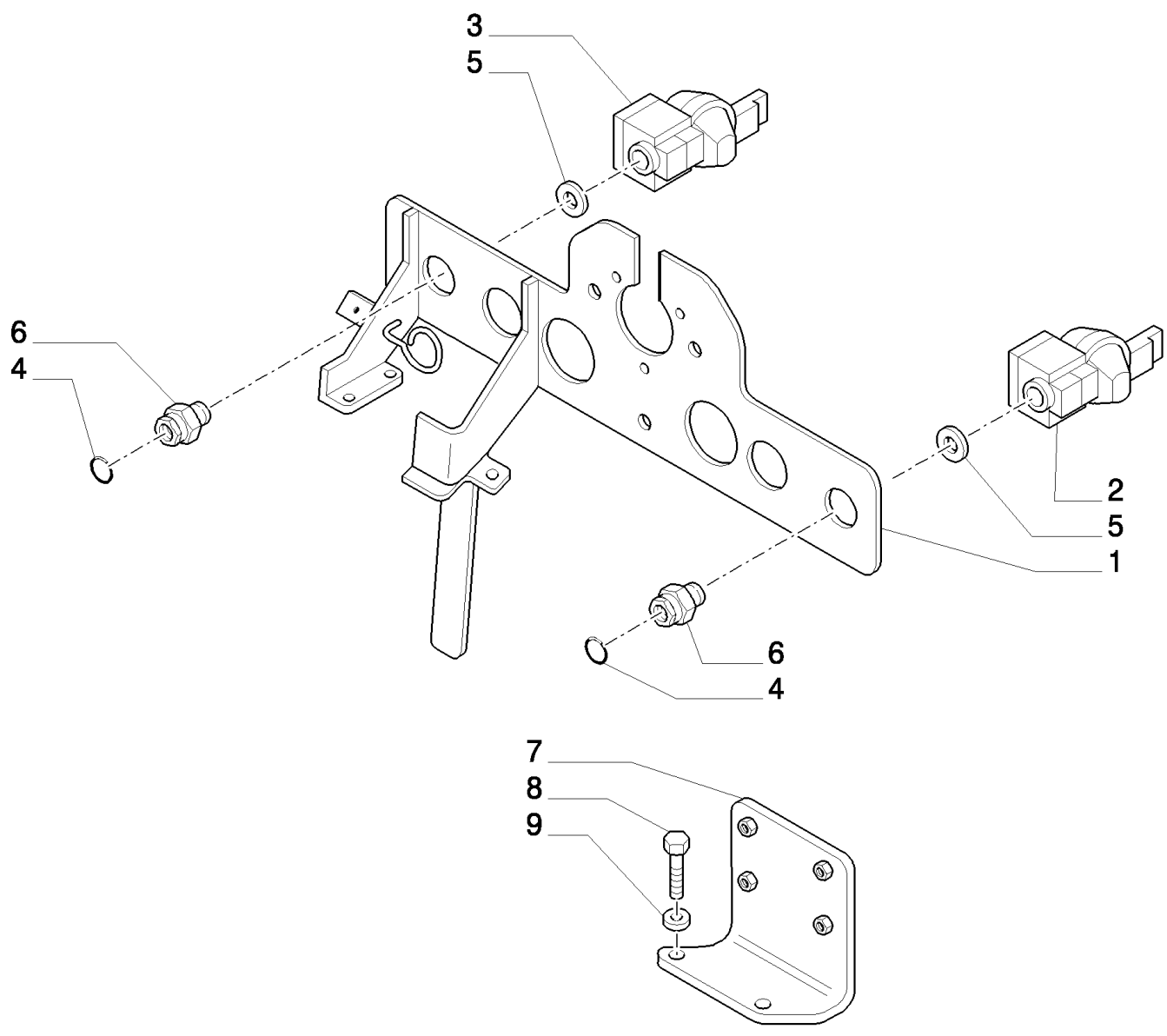
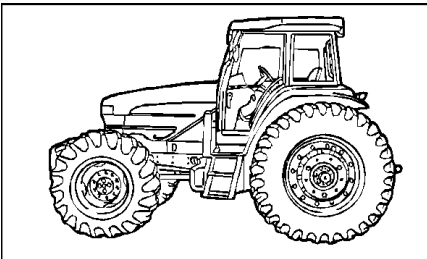


MXM155 CASE IH TRACTOR (6/02- )

1.68.6/02(09A) (VAR.385/1) UNIVERSAL TRAILER AIR BRAKE - AIR BRAKE CONTROL VALVE - D5339

сылка	Номер детали	Кол-во	Описание
1	82019795	1	FITTING,
2	82019802	1	CLIP,
3	82019801	1	GASKET,
4	82019803	1	NUT,
5	82019796	1	NUT,
6	82019797	1	O-RING,
7	82019799	1	O-RING,
8	5169544	1	SEAL,
9	82017517	1	SWITCH, Transducer, Air Brake Pressure
10	82019800	1	ADAPTER,
11	87392490	1	ADAPTER,
12	82019558	1	SPRING,
13	16201324	2	BOLT, Hex, M8 x 60,
14	10516674	2	WASHER, LOCK, 5/16", (M8)
15	82017199	1	ELBOW,
16	82019623	1	TUBE,
17	10261060	1	WASHER, COPPER, M12.2 x 16 x 1.5,
18	82019629	1	TUBE,
19	82016341	1	VALVE, CONTROL,
20	82006829	1	TEE,
21	82016141	1	FITTING,
22	82019617	1	BRACKET,
23	87389131	1	TUBE,
24	87392491	1	O-RING,

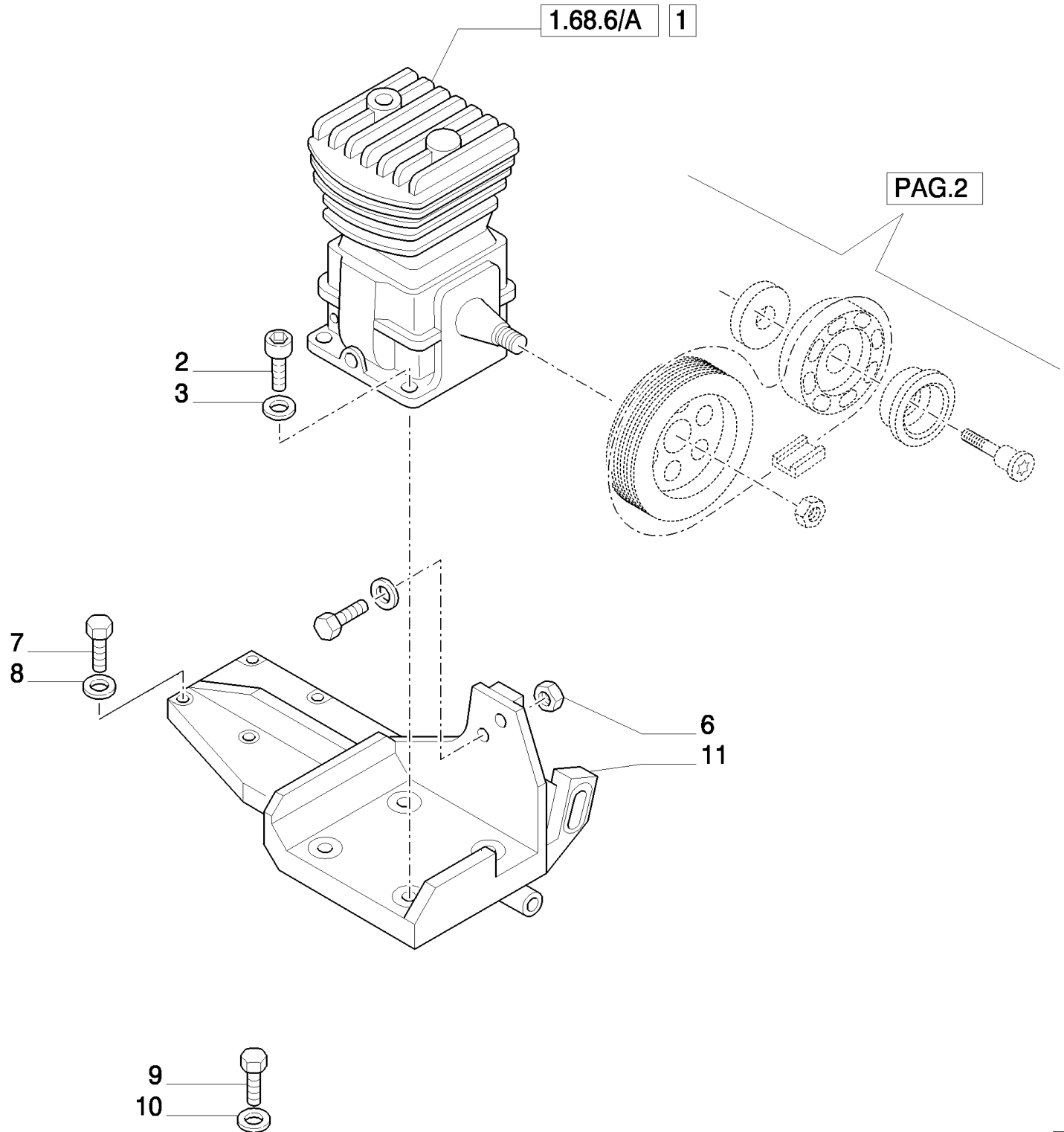
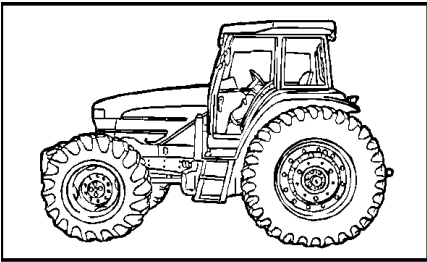
D5339 Serial N.ACM268363



MXM155 CASE IH TRACTOR (6/02- )

1.68.6/02(11) (VAR.385/1) UNIVERSAL TRAILER AIR BRAKE - AIR BRAKE BRACKET AND RELEVANT PARTS

сылка	Номер детали	Кол-во	Описание
1	87308079	1	BRACKET,
2	82001020	1	COUPLING, Yellow
3	82001019	1	COUPLING, Red
4	82006329	2	GASKET,
5	82006327	2	WASHER, LOCK, M16
6	82006298	2	ADAPTER, M16
7	82030536	1	BRACKET,
8	10902424	2	BOLT, Hex, M6 x 20, 8.8, Full Thd,
9	14496404	1	WASHER, LOCK, M6 x 12.5



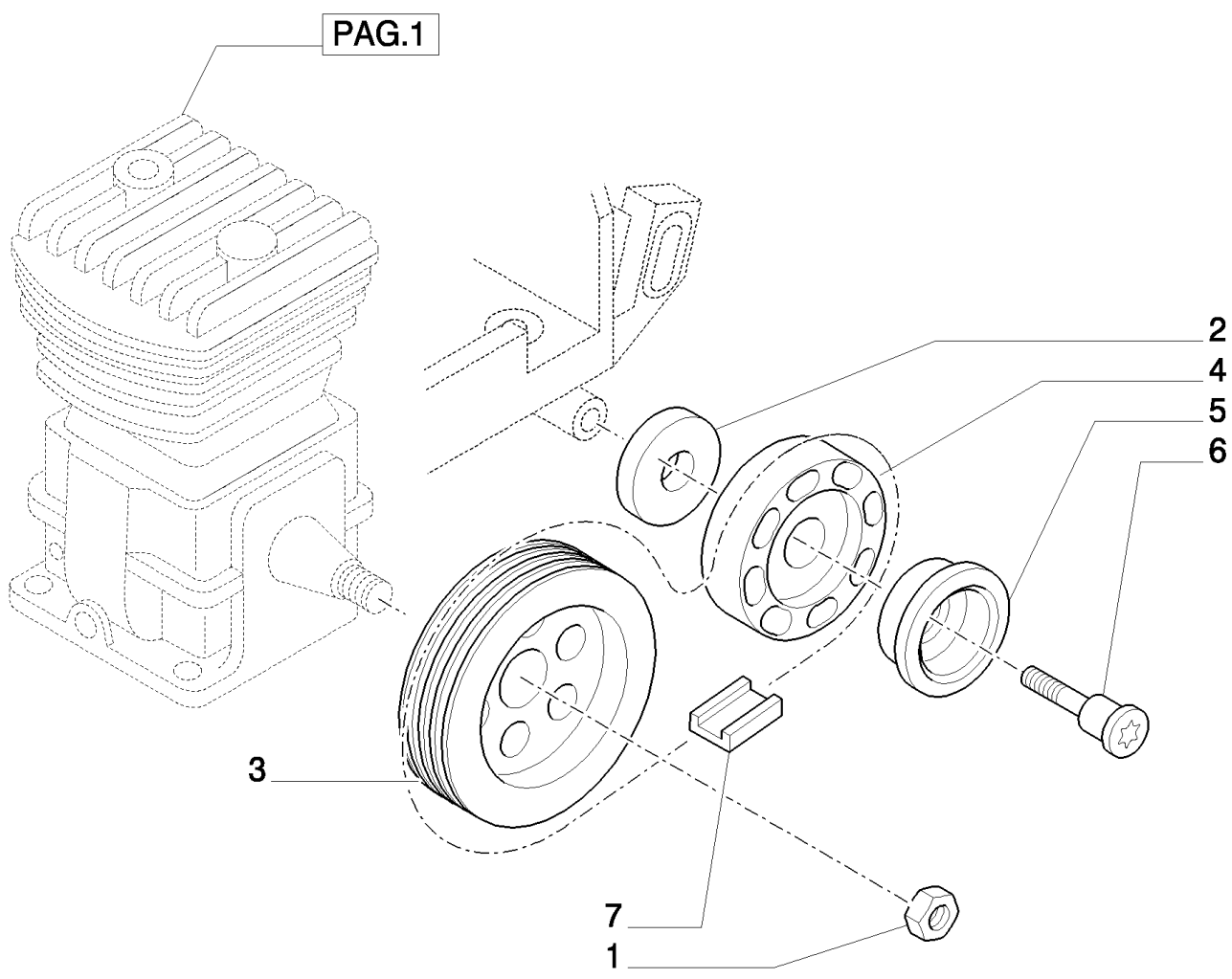
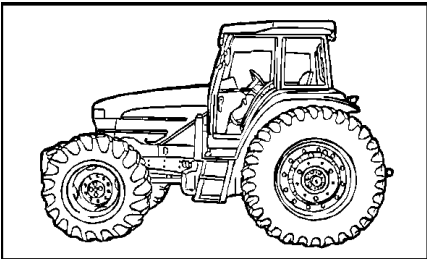
MXM155 CASE IH TRACTOR (6/02- )

1.68.6/03(01) (VAR.385/2) TRAILER AIR BRAKE ITALY - BRACKET FOR AIR COMPRESSOR

сылка	Номер детали	Кол-во	Описание
1	82003029	1	COMPRESSOR, AIR, Assy
2	14306624	4	SCREW, Hex Soc Hd, M8 x 35, 10.9,
3	80080681	4	WASHER, LOCK, 5/16"
4	16204724	2	BOLT, Hex, M10 x 45,
5	12605671	2	WASHER, LOCK, Int Tooth, M10,
6	12164714	2	NUT, M10 x 1.25, CI 8,
7	15213321	4	BOLT, Hex, M8 x 35, 8.8,
8	14496504	4	WASHER, M8 x 17 x 1.6,
9	81865025	1	BOLT, HH, M10 x 1.5 x 65
9	83905793	1	SCREW, 7/16"-14 x 5"
10	100016	1	NUT, M10, CI 8,
10	80087363	1	WASHER, 7/16" x 0.92"
11	82024883	1	BRACKET, , -C5557
11	87344521	1	BRACKET, , D5557-

D5557 After Date 31 October 2006

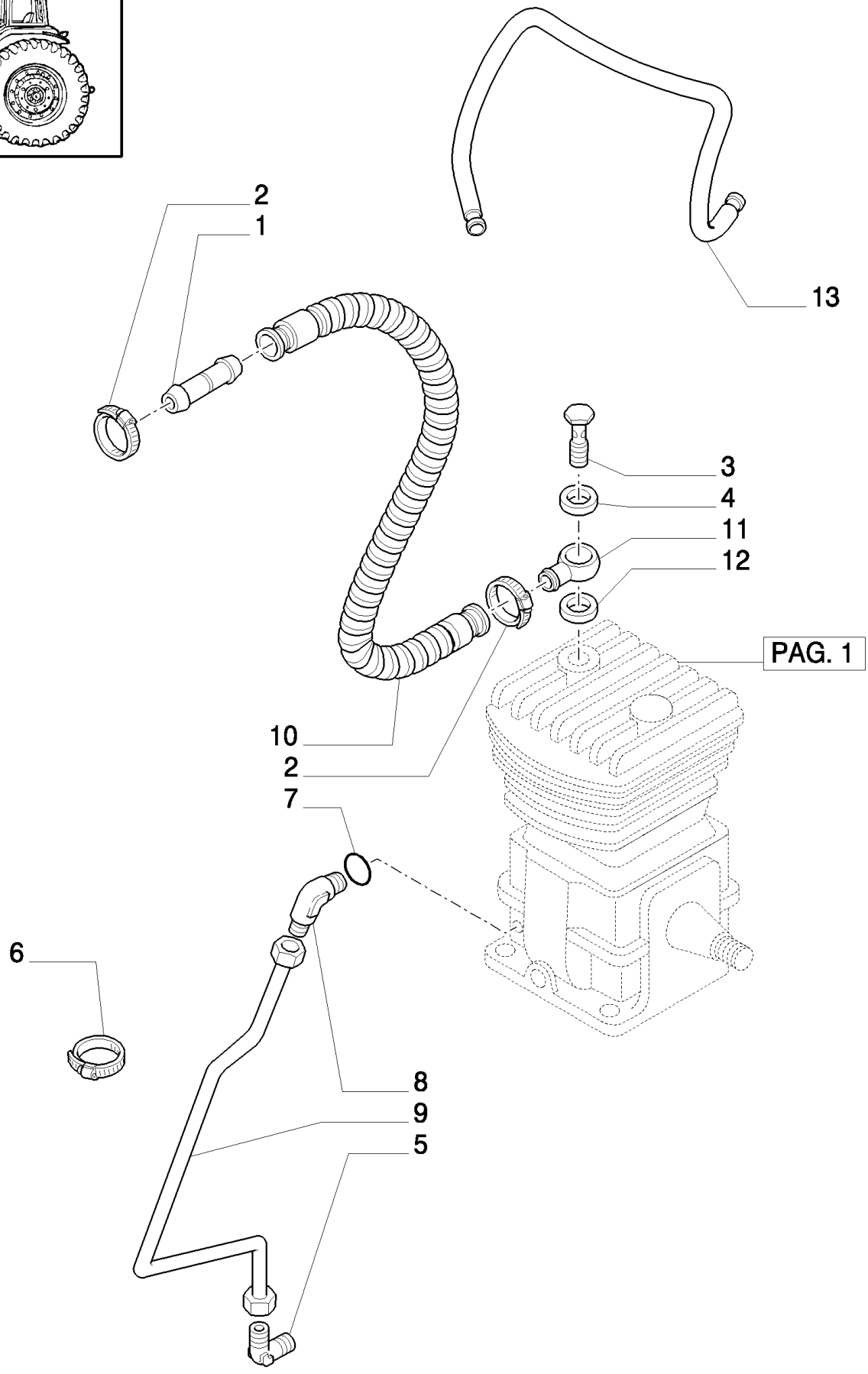
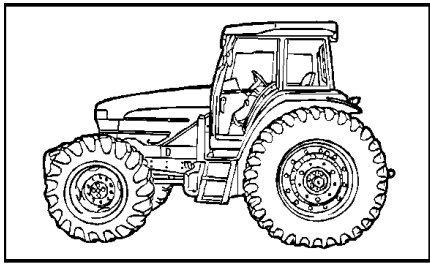




MXM155 CASE IH TRACTOR (6/02- )

1.68.6/03(02) (VAR.385/2) TRAILER AIR BRAKE ITALY - TRANSMISSION BRAKE PULLEY

сылка	Номер детали	Кол-во	Описание
1	14088711	1	NUT, M12 x 1.25
2	82024061	1	SPACER,
3	82020926	1	PULLEY,
4	82024062	1	IDLER,
5	87840420	1	COVER,
6	82024060	1	SCREW, M12 x 1.25 x 60
7	82021010	1	BELT, Air Compressor

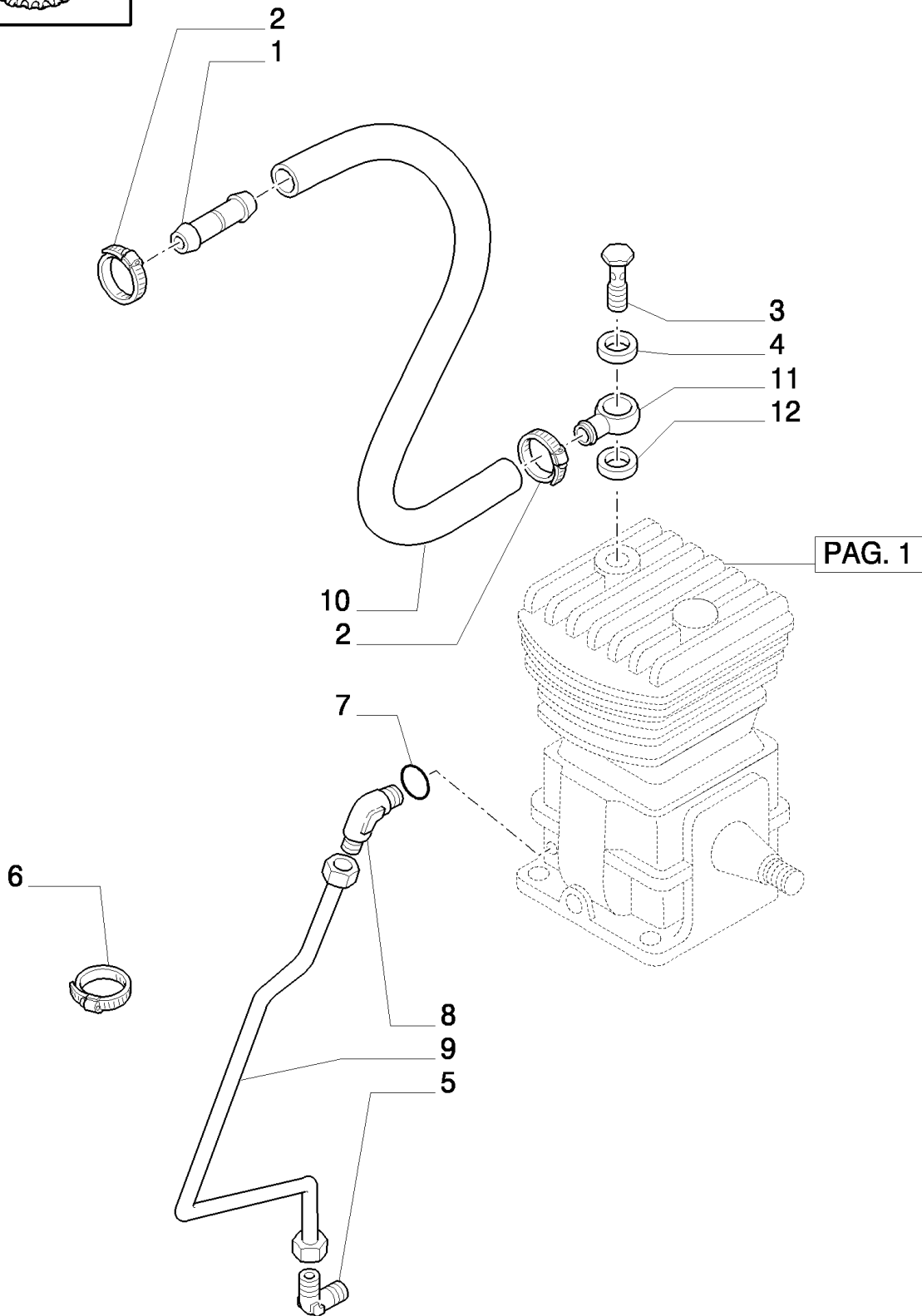
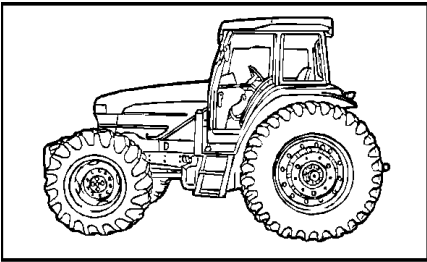


MXM155 CASE IH TRACTOR (6/02- )

1.68.6/03(03) (VAR.385/2) TRAILER AIR BRAKE ITALY - PIPES - C5419

сылка	Номер детали	Кол-во	Описание
1	82019397	1	FITTING,
2	82036709	3	CLAMP, HOSE,
3	82031550	1	BOLT, BANJO, M26 x 1.5
4	82031552	1	WASHER, COPPER, M26 x 32 x 1.5
5	86512947	1	ELBOW, 90°, 7/16"-20, 3/8" x 1/8"-27, NPTF,
6	263117	2	STRAP, CABLE, .14" x 11 1/2",
7	14437585	1	O-RING, 8MM ID x 1.5 Thk,
8	82002502	1	ELBOW,
9	82020927	1	TUBE, , BSN ACM262152
9	87349039	1	TUBE, , ASN ACM262153
10	82033110	1	HOSE, FLEXIBLE, 1000 mm lg, -C5221
11	82031551	1	FITTING, M26 x 1.5
12	82032018	1	SPACER, M26
13	87346075	1	HOSE, FLEXIBLE, , D5221-

D5221 After Date 01 August 2005 D5333 Serial N.ACM262153 C5419 Serial N.ACM275356

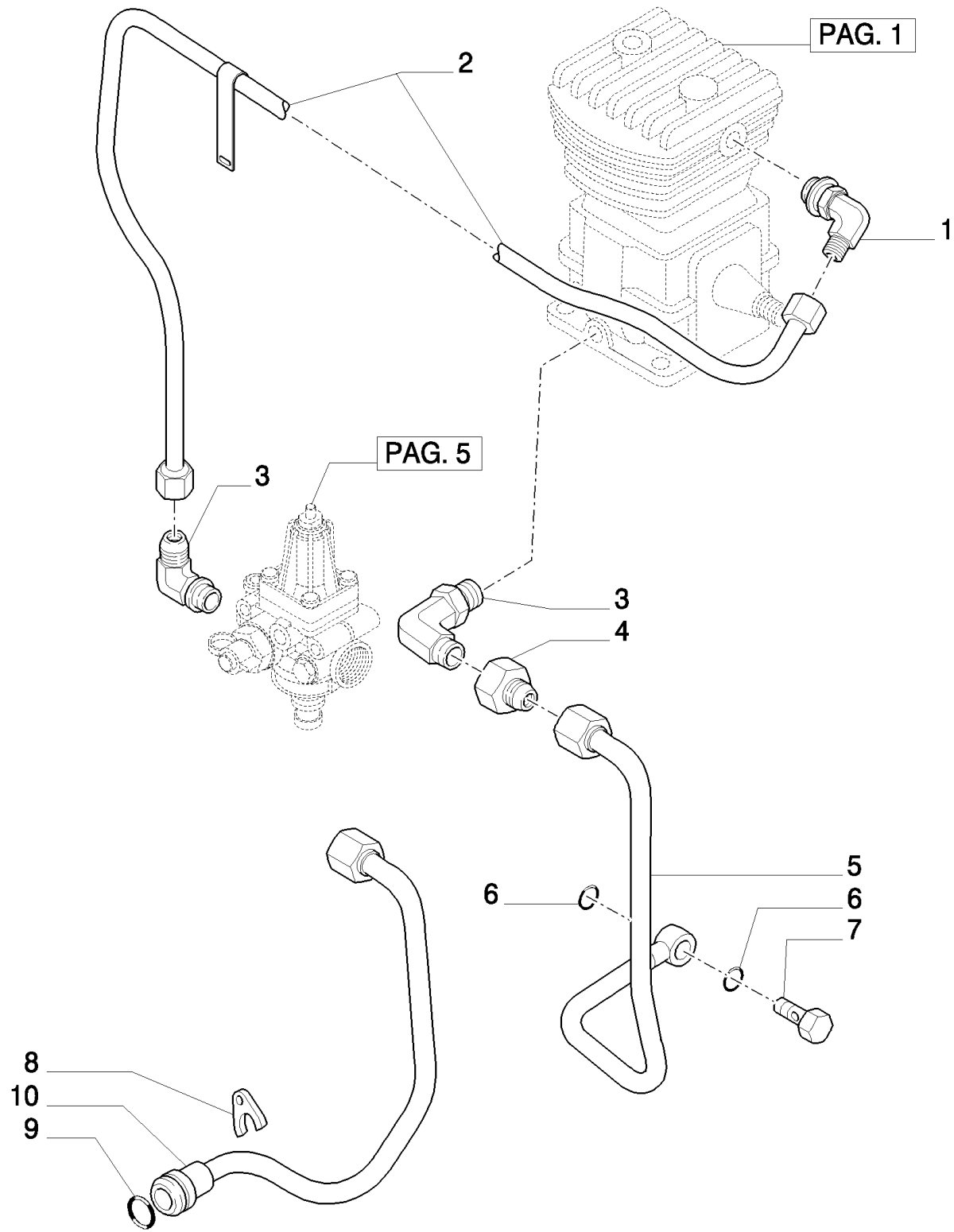
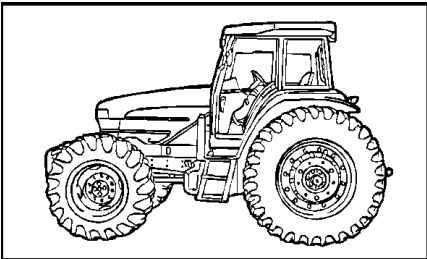


MXM155 CASE IH TRACTOR (6/02- )

1.68.6/03(03A) 0.

сылка	Номер детали	Кол-во	Описание
1	82019397	1	FITTING,
2	82036709	3	CLAMP, HOSE,
3	82031550	1	BOLT, BANJO, M26 x 1.5
4	82031552	1	WASHER, COPPER, M26 x 32 x 1.5
5	86512947	1	ELBOW, 90°, 7/16"-20, 37° x 1/8"-27, NPTF,
6	263117	2	STRAP, CABLE, .14" x 11 1/2",
7	14437585	1	O-RING, 8MM ID x 1.5 Thk,
8	82002502	1	ELBOW,
9	87349039	1	TUBE,
10	87392969	1	HOSE, FLEXIBLE, L = 1000 mm
11	82031551	1	FITTING, M26 x 1.5
12	82032018	1	SPACER, M26

D5221 After Date 01 August 2005 D5333 Serial N.ACM262153 D5419 Serial N.ACM275357



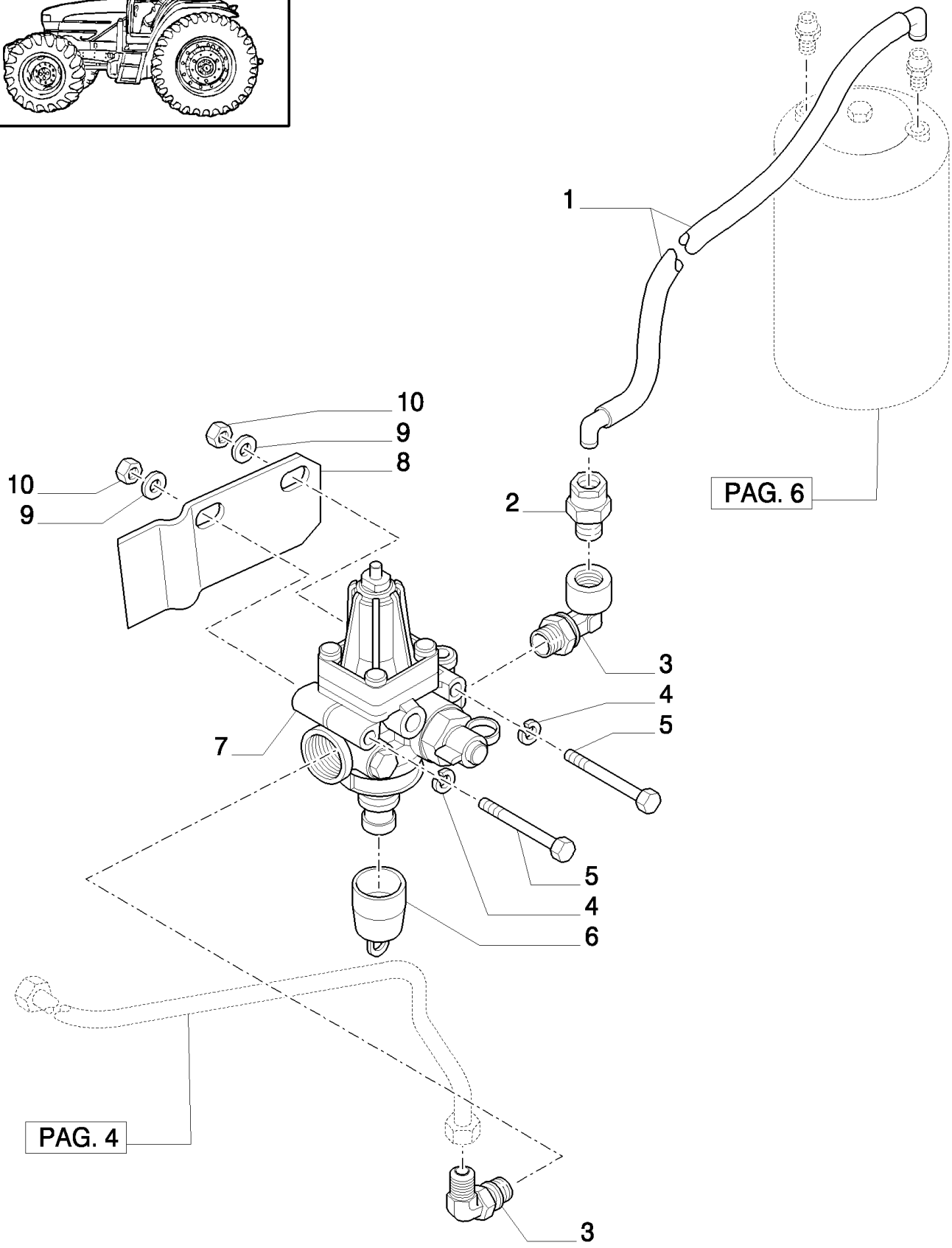
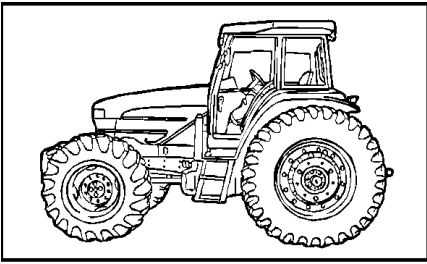
MXM155 CASE IH TRACTOR (6/02- )

1.68.6/03(04) (VAR.385/2) TRAILER AIR BRAKE ITALY - PIPES

сылка	Номер детали	Кол-во	Описание
1	82003205	1	CONNECTOR, HYD.,
2	82020929	1	TUBE, , BSN 217254
2	82033310	1	TUBE, , ASN 217255
3	82003206	2	ELBOW,
4	82006545	1	ADAPTER, , BSN ACM262152
5	82020928	1	TUBE, , BSN ACM262152
6	4858609	2	O-RING, , BSN ACM262152
7	10184417	1	BOLT, BANJO, M16 x 1.5 x 31, , BSN ACM262152
8	2853564	1	BRACKET, , ASN ACM262153
9	14457580	1	O-RING, -117, 70 Duro, .799" ID x .103" Thk, , ASN ACM262153
10	87347563	1	, ACM262153-C5334
10	87398436	1	TUBE, , D5334-

D4855 Serial N.217255 D5333 Serial N.ACM262153 D5334 After Date 20 February 2006





PAG. 4

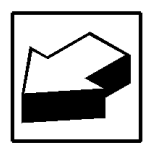
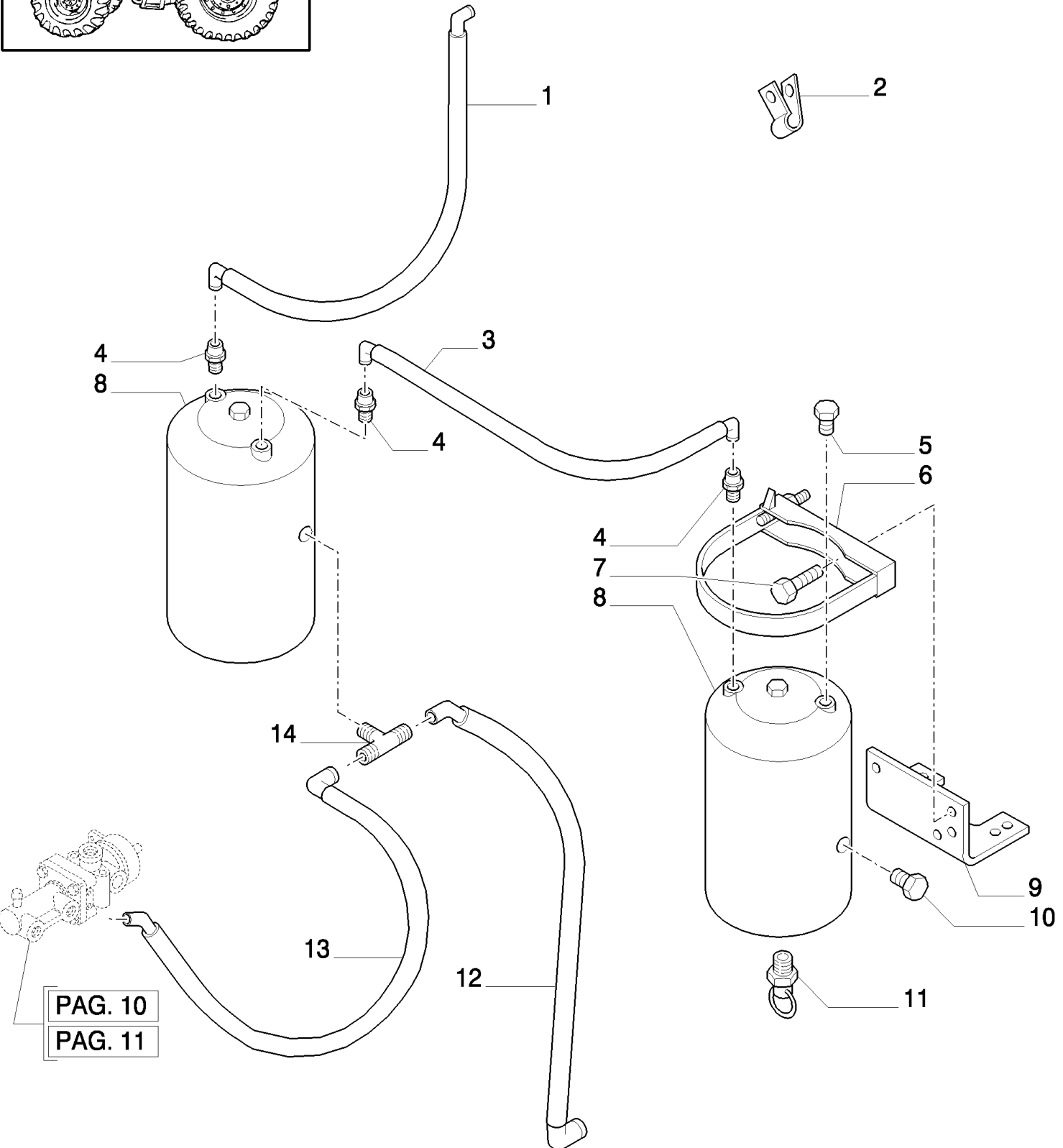
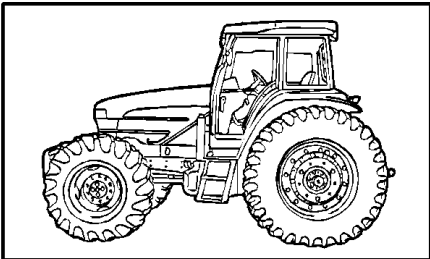
PAG. 6



MXM155 CASE IH TRACTOR (6/02- )

1.68.6/03(05) (VAR.385/2) TRAILER AIR BRAKE ITALY - PRESSURE ADJUSTMENT VALVE

сылка	Номер детали	Кол-во	Описание
1	82018525	1	TUBE, MXM120, MXM130, MXM140, MXM155
1	82019196	1	TUBE, MXM175, MXM190
2	82017722	1	ADAPTER,
3	82003206	2	ELBOW,
4	10516674	2	WASHER, LOCK, 5/16", (M8)
5	16201624	2	BOLT, Hex, M8 x 75,
6	82001979	1	VALVE,
7	82019906	1	VALVE, CONTROL,
8	82018549	1	BRACKET,
9	14496504	2	WASHER, M8 x 17 x 1.6,
10	16100811	2	NUT, M8, CI 8,

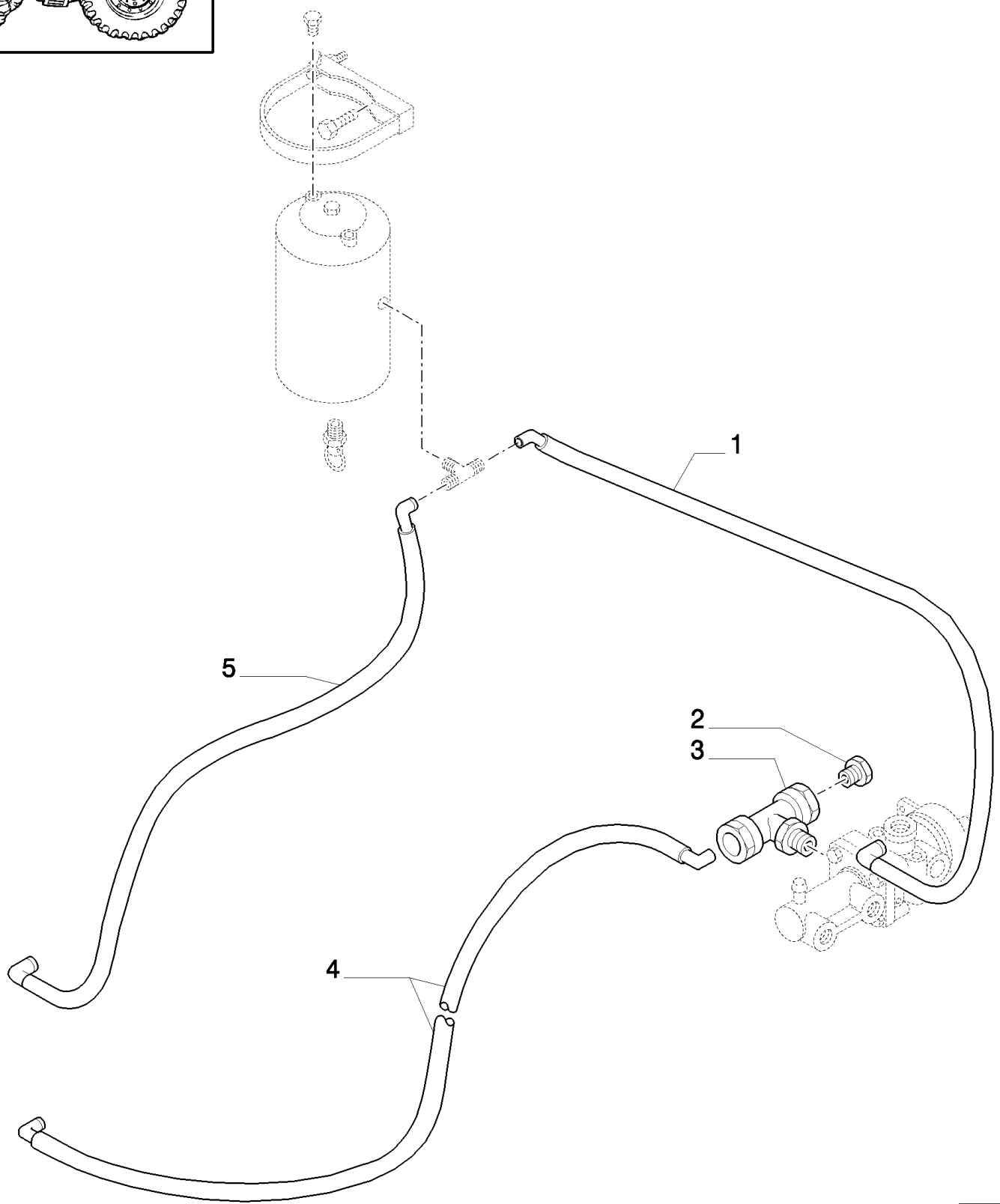
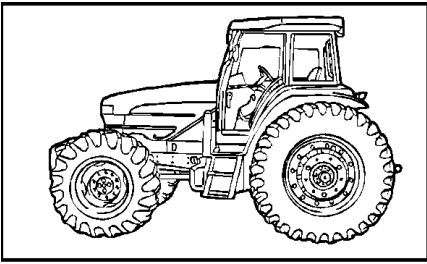


MXM155 CASE IH TRACTOR (6/02- )

1.68.6/03(06) (VAR.385/2) TRAILER AIR BRAKE ITALY - AIR TANK AND PIPES

сылка	Номер детали	Кол-во	Описание
1	82018525	1	TUBE, MXM120, MXM130, MXM140, MXM155
1	82019196	1	TUBE, MXM175, MXM190
2	10450690	1	CLAMP,
3	82006834	1	TUBE, , -C5213
3	87356630	1	TUBE, , D5213-
4	82017722	3	ADAPTER,
5	82014913	1	PLUG,
6	82020478	1	BRACKET,
7	10979224	4	BOLT, Hex, M10 x 16, 8.8, Full Thd,
8	82020479	2	RESERVOIR, AIR,
9	82011501	2	BRACKET,
10	82014913	1	PLUG,
11	82004266	2	VALVE,
12	82024867	1	HOSE, FLEXIBLE, 1390 mm lg, Red, MXM120, MXM130, MXM140, MXM155
12	82029878	1	TUBE, 1700 mm lg, Red, MXM175, MXM190
13	82030974	1	TUBE, Polyamide Tube - 950 mm lg
14	82014912	1	PLUG,

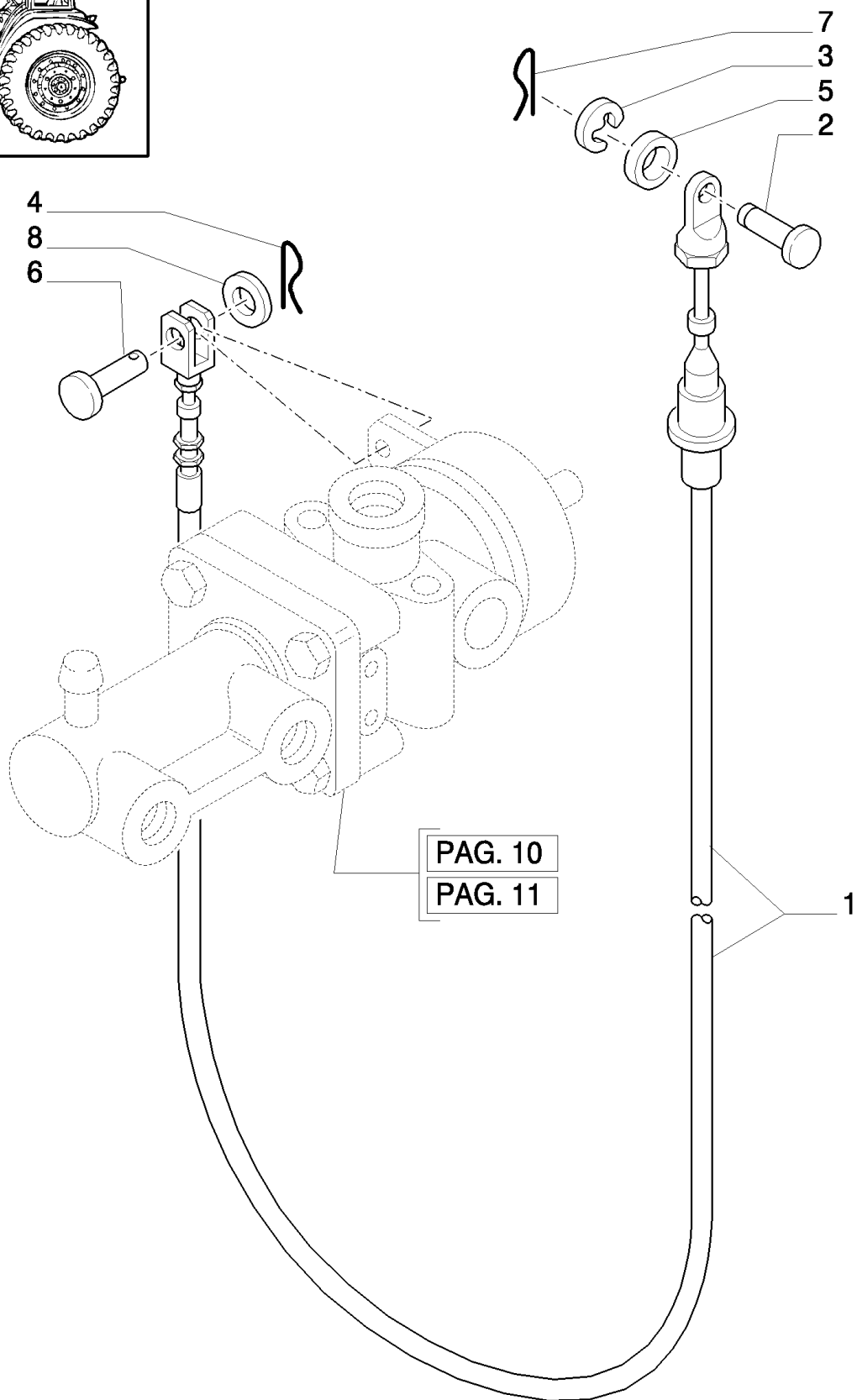
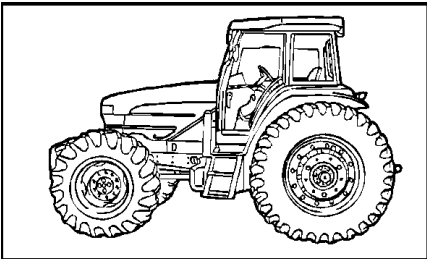
D5213 After Date 07 January 2005



MXM155 CASE IH TRACTOR (6/02- )

1.68.6/03(07) (VAR.385/2) TRAILER AIR BRAKE ITALY - PIPES

сылка	Номер детали	Кол-во	Описание
1	82030974	1	TUBE,
2	82018554	1	BRACKET,
3	82006829	1	TEE,
4	82024097	1	TUBE, 1010 mm lg, Yellow, MXM120, MXM130, MXM140, MXM155
4	82029877	1	TUBE, 1000 mm lg, Yellow, MXM175, MXM190
5	82024867	1	HOSE, FLEXIBLE, 1390 mm lg, Red, MXM120, MXM130, MXM140, MXM155
5	82029878	1	TUBE, 1700 mm lg, Red, MXM175, MXM190



PAG. 10  
PAG. 11

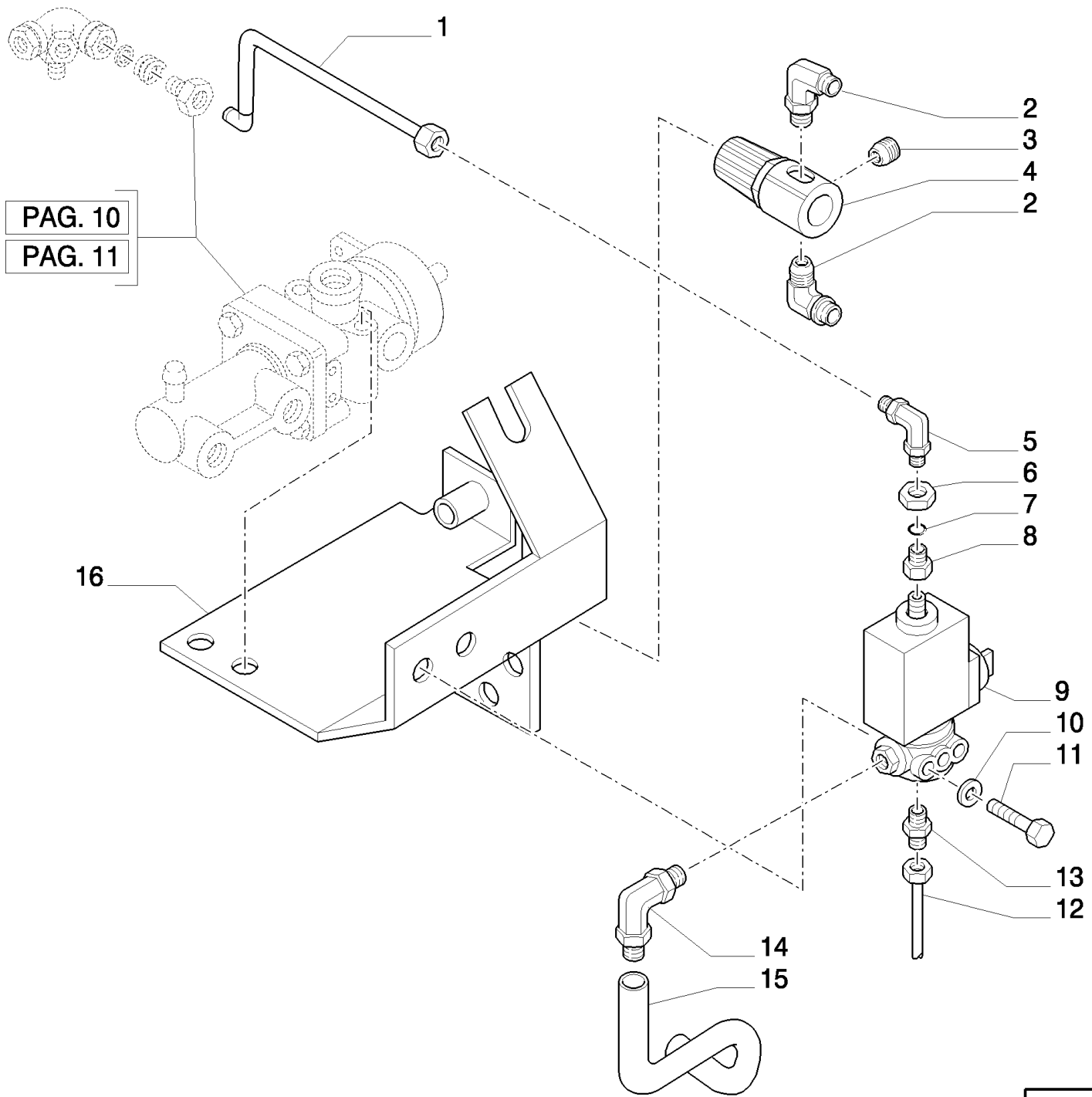
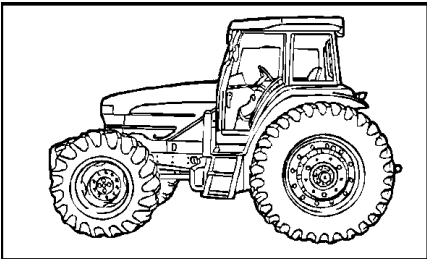


MXM155 CASE IH TRACTOR (6/02- )

1.68.6/03(08) (VAR.385/2) TRAILER AIR BRAKE ITALY - AIR BRAKE CABLE

сылка	Номер детали	Кол-во	Описание
1	87567763	1	CABLE, MXM120, MXM130, MXM140, MXM155
1	82032323	1	CABLE, MXM175, MXM190
2	82019625	1	PIN,
3	11087374	2	CIRCLIP, M13,
4	10734401	1	PIN, SPLIT (COTTER), M2 x 22,
5	82019659	1	SPACER, M10 x 19 x 8.5, MXM120, MXM130, MXM140, MXM155
6	10050811	1	PIN, M8
7	10766901	1	PIN, SPLIT (COTTER), M3.2 x 25,
8	11193874	1	WASHER, SPRING, Belleville, M8.4,



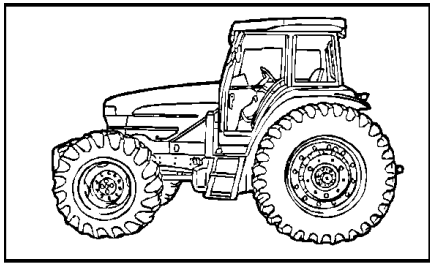


MXM155 CASE IH TRACTOR (6/02- )

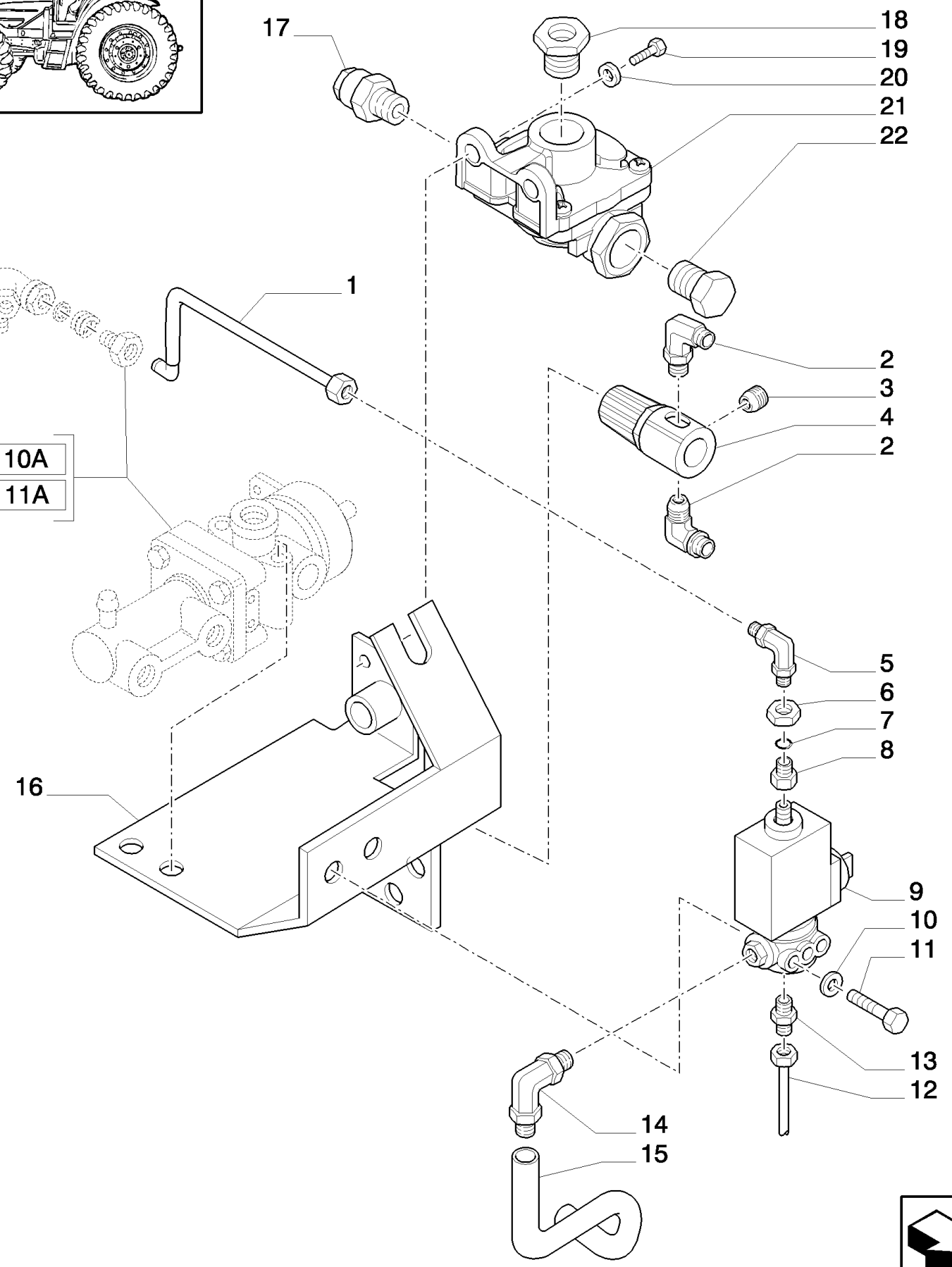
1.68.6/03(09) (VAR.385/2) TRAILER AIR BRAKE ITALY - BRACKET AND RELEVANT PARTS - C5339

сылка	Номер детали	Кол-во	Описание
1	82019622	1	TUBE, PLASTIC-RUBBER,
2	82024156	2	ELBOW,
3	82017203	1	PLUG,
4	82016887	1	VALVE, CONTROL,
5	82019627	1	ELBOW,
6	82019834	1	NUT,
7	82019835	1	GASKET,
8	82019833	1	ADAPTER,
9	82006252	1	VALVE, CONTROL,
10	10516674	2	WASHER, LOCK, 5/16", (M8)
11	16201324	2	BOLT, Hex, M8 x 60,
12	82019793	1	HOSE,
13	82006828	1	ADAPTER,
14	82017199	1	ELBOW,
15	82019624	1	TUBE, 270 mm lg, MXM120, MXM130, MXM140, MXM155
16	82020512	1	BRACKET,

C5339 Serial N.ACM268362



PAG. 10A  
PAG. 11A

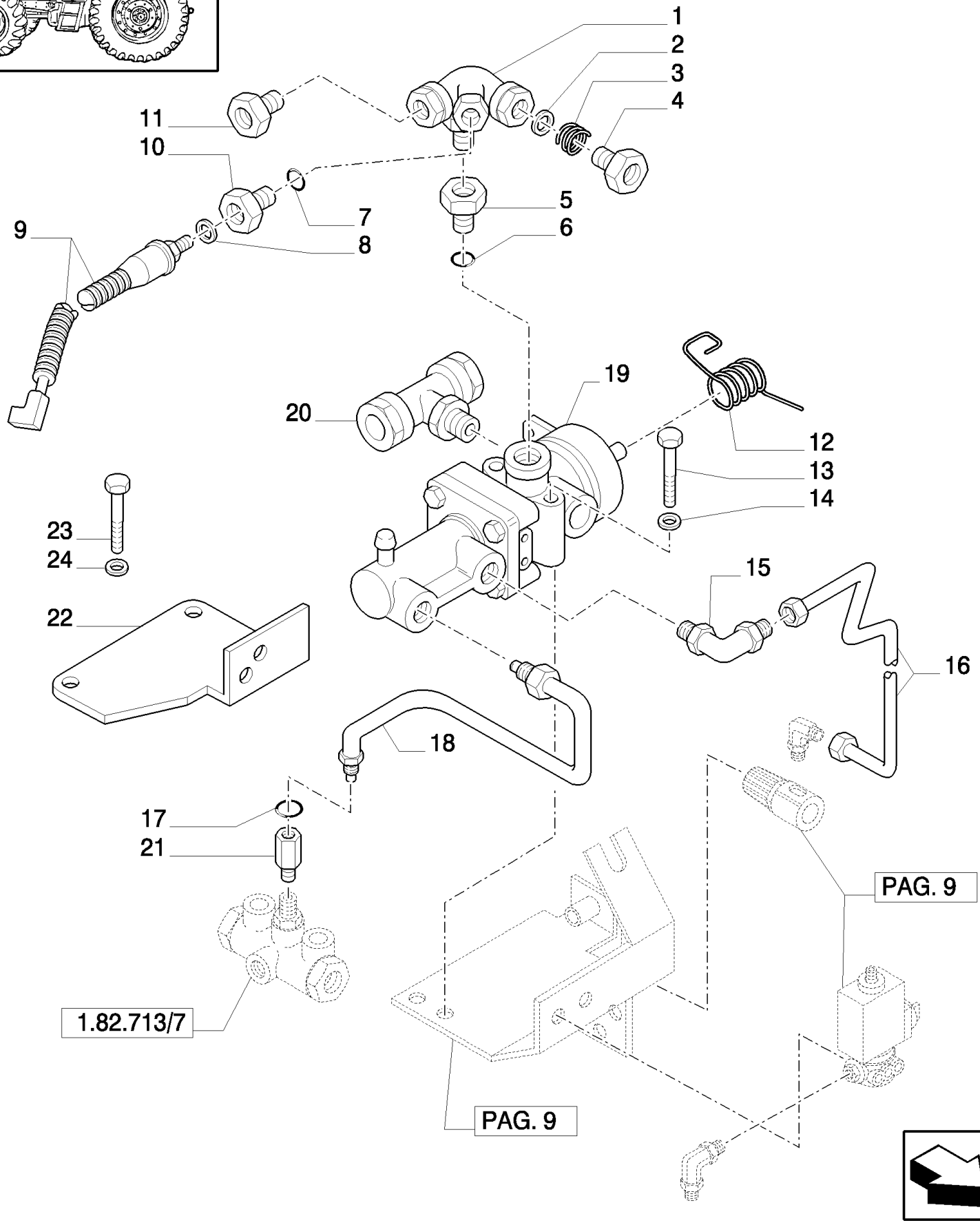
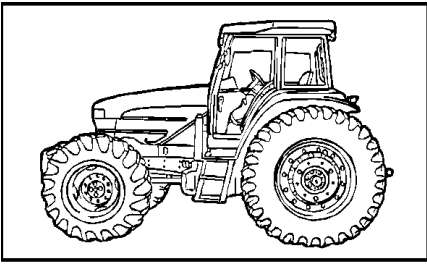


MXM155 CASE IH TRACTOR (6/02- )

1.68.6/03(09A) (VAR.385/2) TRAILER AIR BRAKE ITALY - BRACKET AND RELEVANT PARTS - D5339

сылка	Номер детали	Кол-во	Описание
1	82019622	1	TUBE, PLASTIC-RUBBER,
2	82024156	2	ELBOW,
3	82017203	1	PLUG,
4	82016887	1	VALVE, CONTROL,
5	82019627	1	ELBOW,
6	82019834	1	NUT,
7	82019835	1	GASKET,
8	82019833	1	ADAPTER,
9	82006252	1	VALVE, CONTROL,
10	10516674	2	WASHER, LOCK, 5/16", (M8)
11	16201324	2	BOLT, Hex, M8 x 60,
12	82019793	1	HOSE,
13	82006828	1	ADAPTER,
14	82017199	1	ELBOW,
15	82019624	1	TUBE, 270 mm lg, MXM120, MXM130, MXM140, MXM155
16	87387687	1	BRACKET,
17	82017722	1	ADAPTER,
18	82036156	1	FITTING,
19	16043621	2	BOLT, Hex, M8 x 25, 8.8,
20	14496501	2	WASHER, M8 x 16 x 1.6,
21	82033387	1	TRAILER BRAKE VALVE,
22	82014913	1	PLUG,

D5339 Serial N.ACM268363



1.82.713/7

PAG. 9

PAG. 9

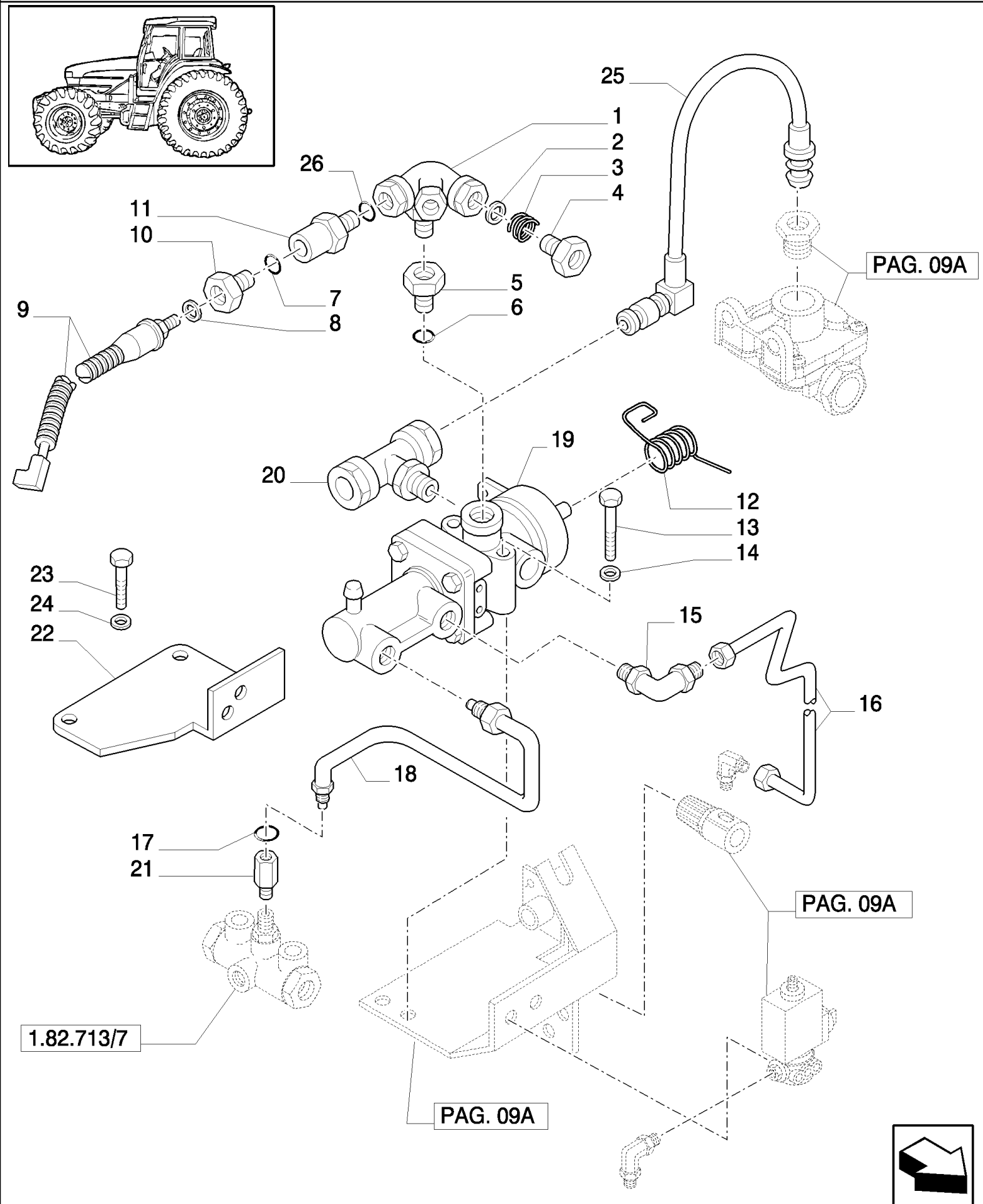


MXM155 CASE IH TRACTOR (6/02- )

1.68.6/03(10) (VAR.385/2) TRAILER AIR BRAKE ITALY - AIR BRAKE CONTROL VALVE - C5339

сылка	Номер детали	Кол-во	Описание
1	82019795	1	FITTING,
2	82019802	1	CLIP,
3	82019801	1	GASKET,
4	82019803	1	NUT,
5	82019796	1	NUT,
6	82019797	1	O-RING,
7	82019799	1	O-RING,
8	5169544	1	SEAL,
9	82017517	1	SWITCH, Transducer, Air Brake Pressure
10	82019800	1	ADAPTER,
11	82019798	1	ADAPTER,
12	82019558	1	SPRING,
13	16201324	2	BOLT, Hex, M8 x 60,
14	10516674	2	WASHER, LOCK, 5/16", (M8)
15	82017199	1	ELBOW,
16	82019623	1	TUBE,
17	10261060	1	WASHER, COPPER, M12.2 x 16 x 1.5,
18	82019629	1	TUBE,
19	82016341	1	VALVE, CONTROL,
20	82006829	1	TEE,
21	82016141	1	FITTING,
22	82019617	1	BRACKET,
23	16043424	2	SCREW, Hex, M8 x 20, 8.8, Full Thd,
24	10516674	2	WASHER, LOCK, 5/16", (M8)

C5339 Serial N.ACM268362



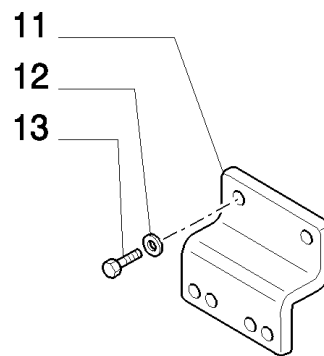
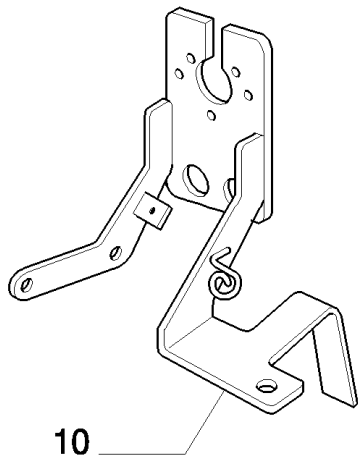
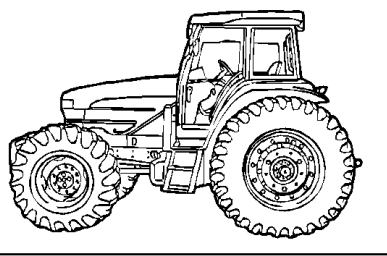
MXM155 CASE IH TRACTOR (6/02- )

1.68.6/03(10A) (VAR.385/2) TRAILER AIR BRAKE ITALY - AIR BRAKE CONTROL VALVE - D5339

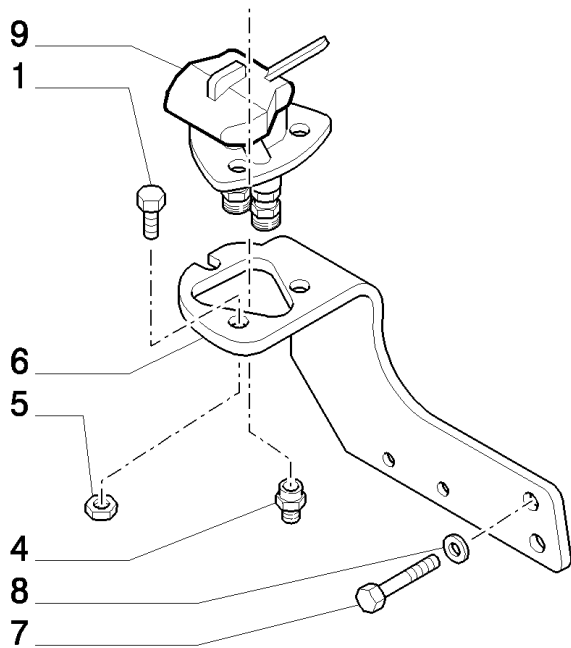
сылка	Номер детали	Кол-во	Описание
1	82019795	1	FITTING,
2	82019802	1	CLIP,
3	82019801	1	GASKET,
4	82019803	1	NUT,
5	82019796	1	NUT,
6	82019797	1	O-RING,
7	82019799	1	O-RING,
8	5169544	1	SEAL,
9	82017517	1	SWITCH, Transducer, Air Brake Pressure
10	82019800	1	ADAPTER,
11	87392490	1	ADAPTER,
12	82019558	1	SPRING,
13	16201324	2	BOLT, Hex, M8 x 60,
14	10516674	2	WASHER, LOCK, 5/16", (M8)
15	82017199	1	ELBOW,
16	82019623	1	TUBE,
17	10261060	1	WASHER, COPPER, M12.2 x 16 x 1.5,
18	82019629	1	TUBE,
19	82016341	1	VALVE, CONTROL,
20	82006829	1	TEE,
21	82016141	1	FITTING,
22	82019617	1	BRACKET,
23	16043424	2	SCREW, Hex, M8 x 20, 8.8, Full Thd,
24	10516674	2	WASHER, LOCK, 5/16", (M8)
25	87389131	1	TUBE,
26	87392491	1	O-RING,

D5339 Serial N.ACM268363

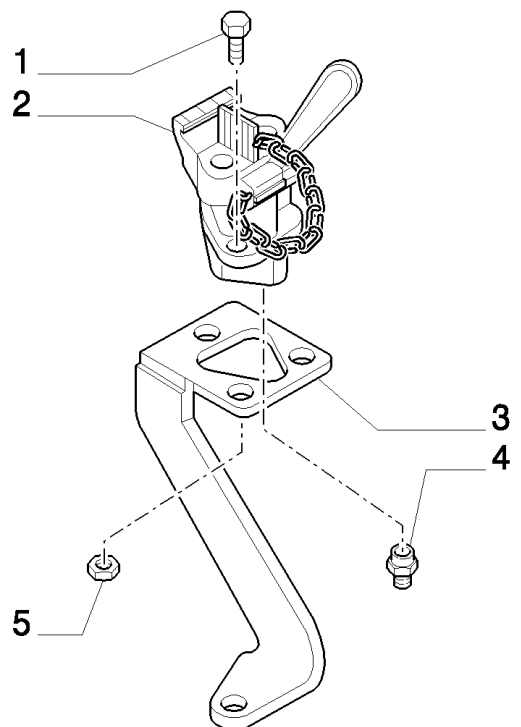




MXM175 MXM190



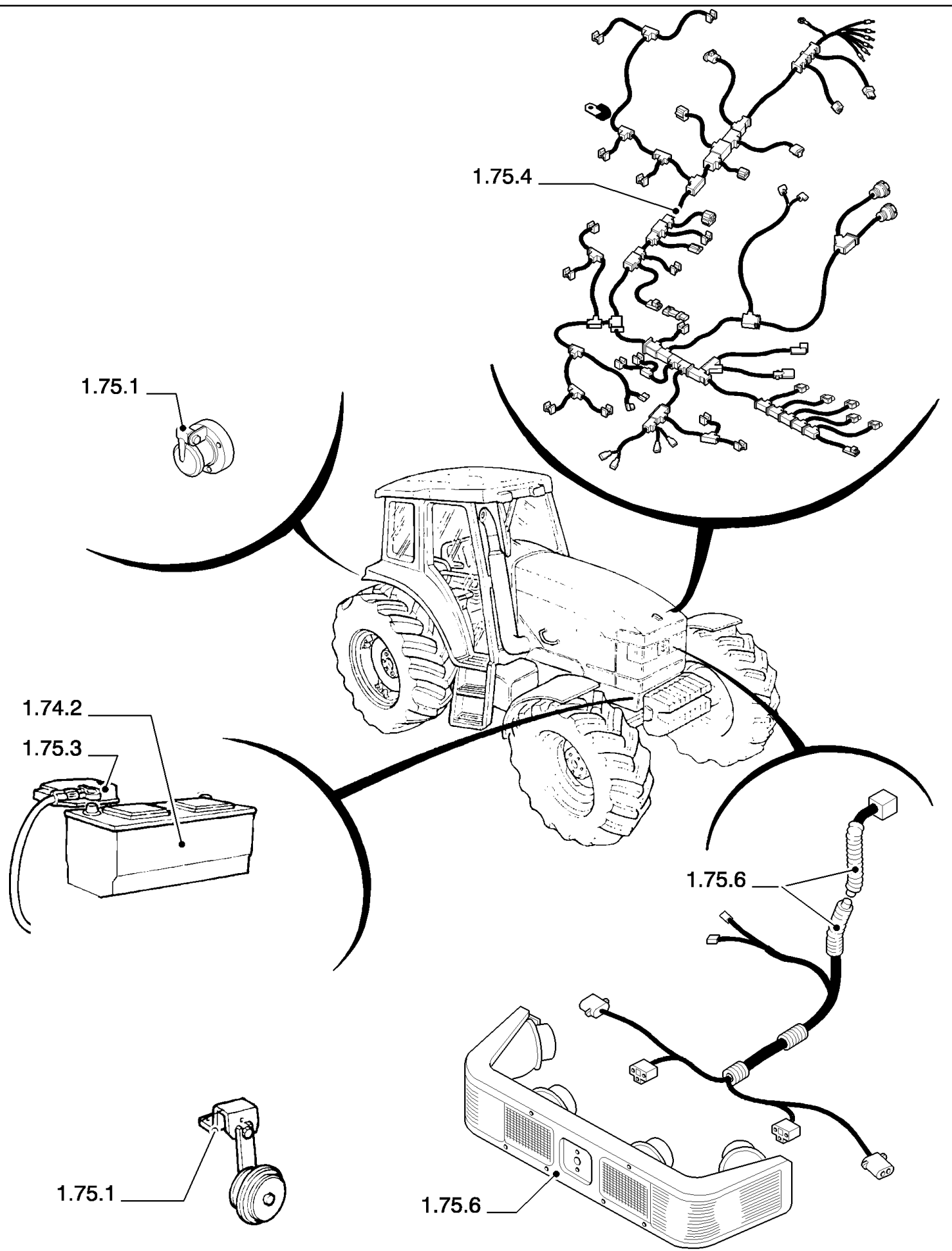
MXM120 MXM130 MXM140 MXM155



MXM155 CASE IH TRACTOR (6/02- )

1.68.6/03(12) (VAR.385/2) TRAILER AIR BRAKE ITALY - BRACKETS

сылка	Номер детали	Кол-во	Описание
1	11106424	3	BOLT, Hex, M10 x 30, 8.8, Full Thd,
2	82020681	1	COUPLING,
3	82019878	1	BRACKET,
4	82017722	2	ADAPTER,
5	11701721	3	NUT, M10, CI 10,
6	82029900	1	BRACKET,
7	11106221	2	BOLT, Hex, M10 x 25, 8.8, Full Thd,
8	14496621	2	WASHER, M10 x 21 x 2,
9	82030230	1	COUPLING, Incl. 4
10	87308094	1	BRACKET,
11	82030587	1	BRACKET,
12	14496404	2	WASHER, LOCK, M6 x 12.5
13	10902424	2	BOLT, Hex, M6 x 20, 8.8, Full Thd,

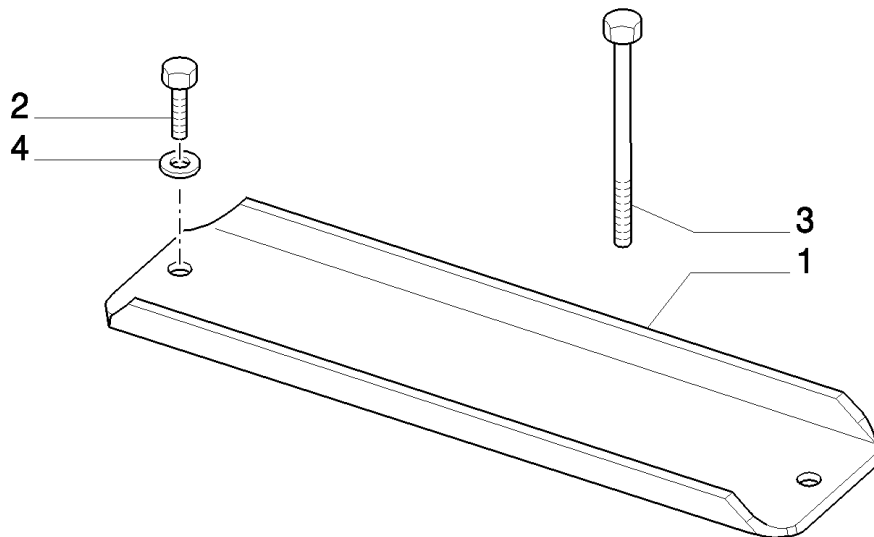
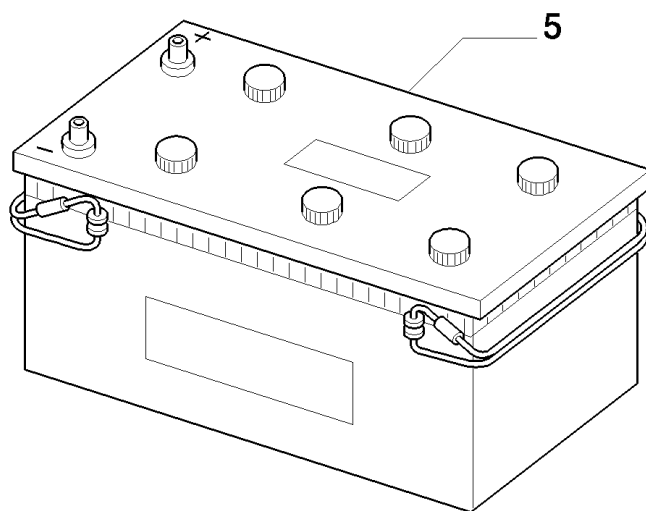
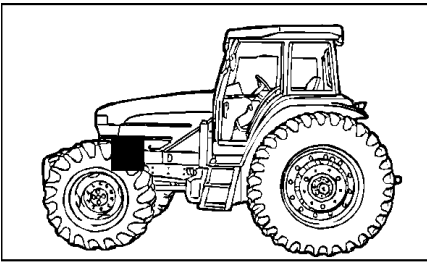


MXM155 CASE IH TRACTOR (6/02- )

1.74.1 SEC. 06 - ELECTRICAL

сылка	Номер детали	Кол-во	Описание

1.74.2 BATTERY & BATTERY MOUNTING

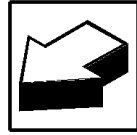
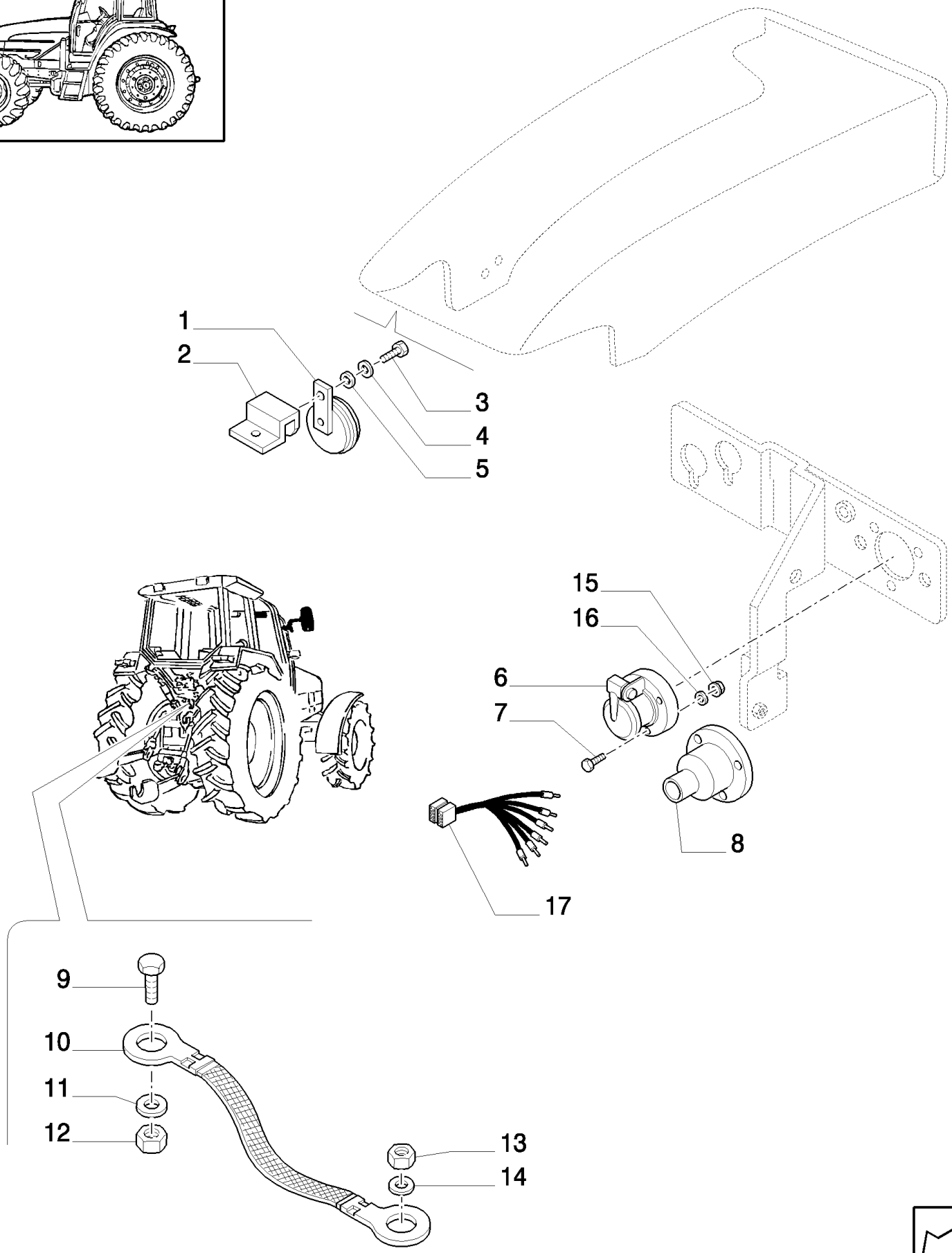
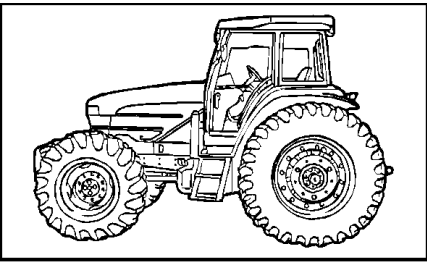


## MXM155 CASE IH TRACTOR (6/02- )

## 1.74.2 BATTERY &amp; BATTERY MOUNTING

сылка	Номер детали	Кол-во	Описание
1	82028784	1	BRACKET,
2	16044224	2	BOLT, Hex, M8 x 50, 8.8,
3	82024611	2	SCREW, M8 x 190
4	83964215	4	WASHER, LOCK,
5	82027430	1	BATTERY, WET,
5	B48430	1	BATTERY, DRY, U.S.
5	B48430W	1	BATTERY, WET, U.S.
5	CB48430	1	BATTERY, DRY, Canada
5	CB48430W	1	BATTERY, WET, Canada

1.75.1 ELECTRIC SYSTEM, HORN & HORN MOUNTING



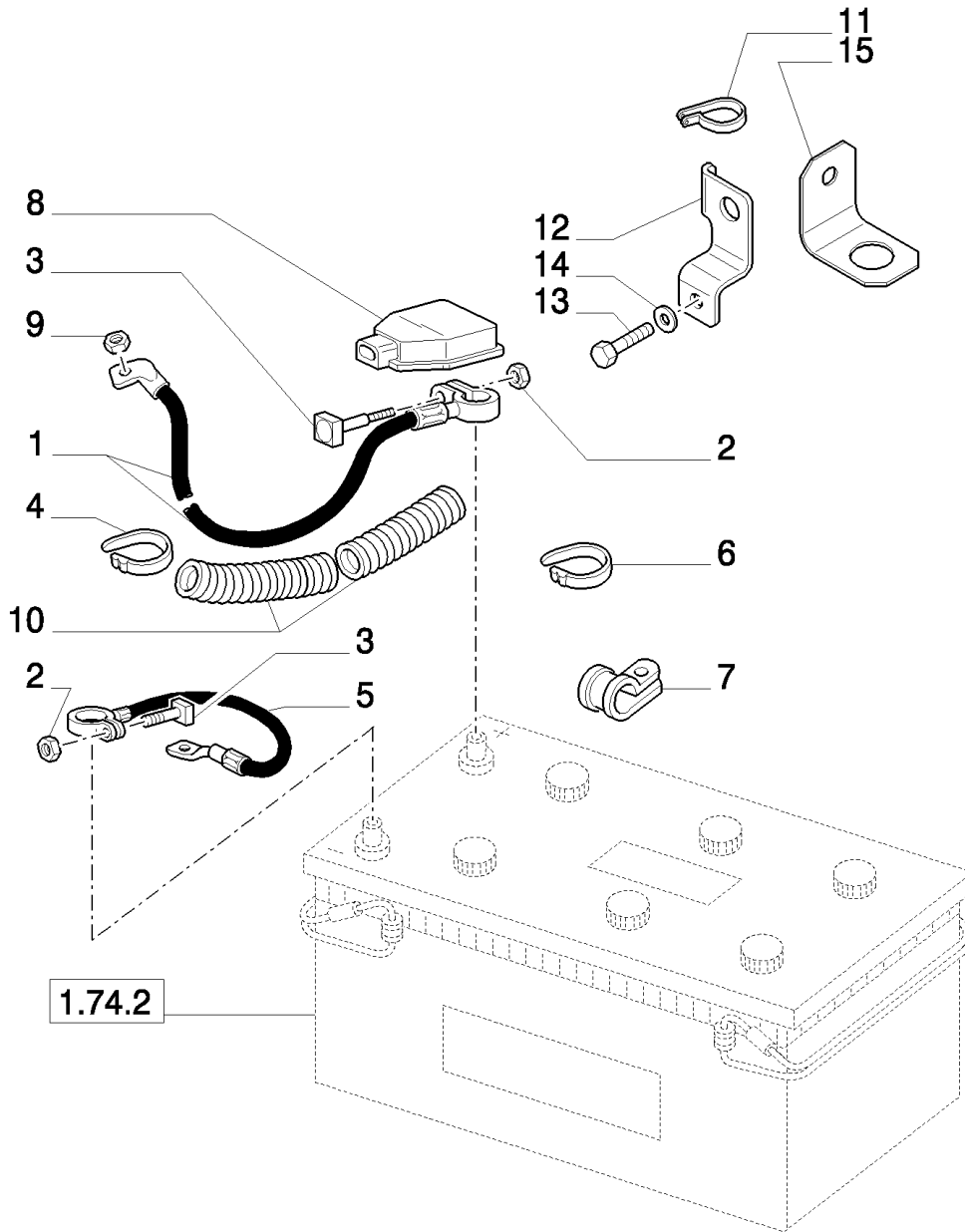
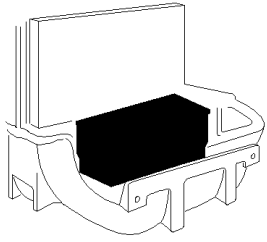
## MXM155 CASE IH TRACTOR (6/02- )

## 1.75.1 ELECTRIC SYSTEM, HORN &amp; HORN MOUNTING

сылка	Номер детали	Кол-во	Описание
1	82000694	1	HORN, , -C5428
1	87551747	1	HORN, , D5428-
2	82001658	1	BRACKET,
3	16043224	1	BOLT, Hex, M8 x 16, 8.8, Full Thd,
4	10516474	1	WASHER, LOCK,
5	10519604	1	WASHER, M8 x 17 x 2,
6	83959716	1	SOCKET, POWER,
7	82021071	3	SCREW,
8	82013268	1	BOOT,
9	11106021	1	BOLT, Hex, M10 x 20, 8.8, Full Thd,
10	82024742	1	CABLE, GROUND, Ground
11	14499521	1	WASHER,
12	11701721	1	NUT, M10, CI 10,
13	12164021	1	NUT, M14 x 1.5, CI 10,
14	12644904	1	WASHER,
15	15896421	3	NUT, M5, CI 10,
16	85700057	3	WASHER, LOCK, Serr, M5,
17	82023144	1	HARNESS, WIRE,



1.75.3 BATTERY, CABLES

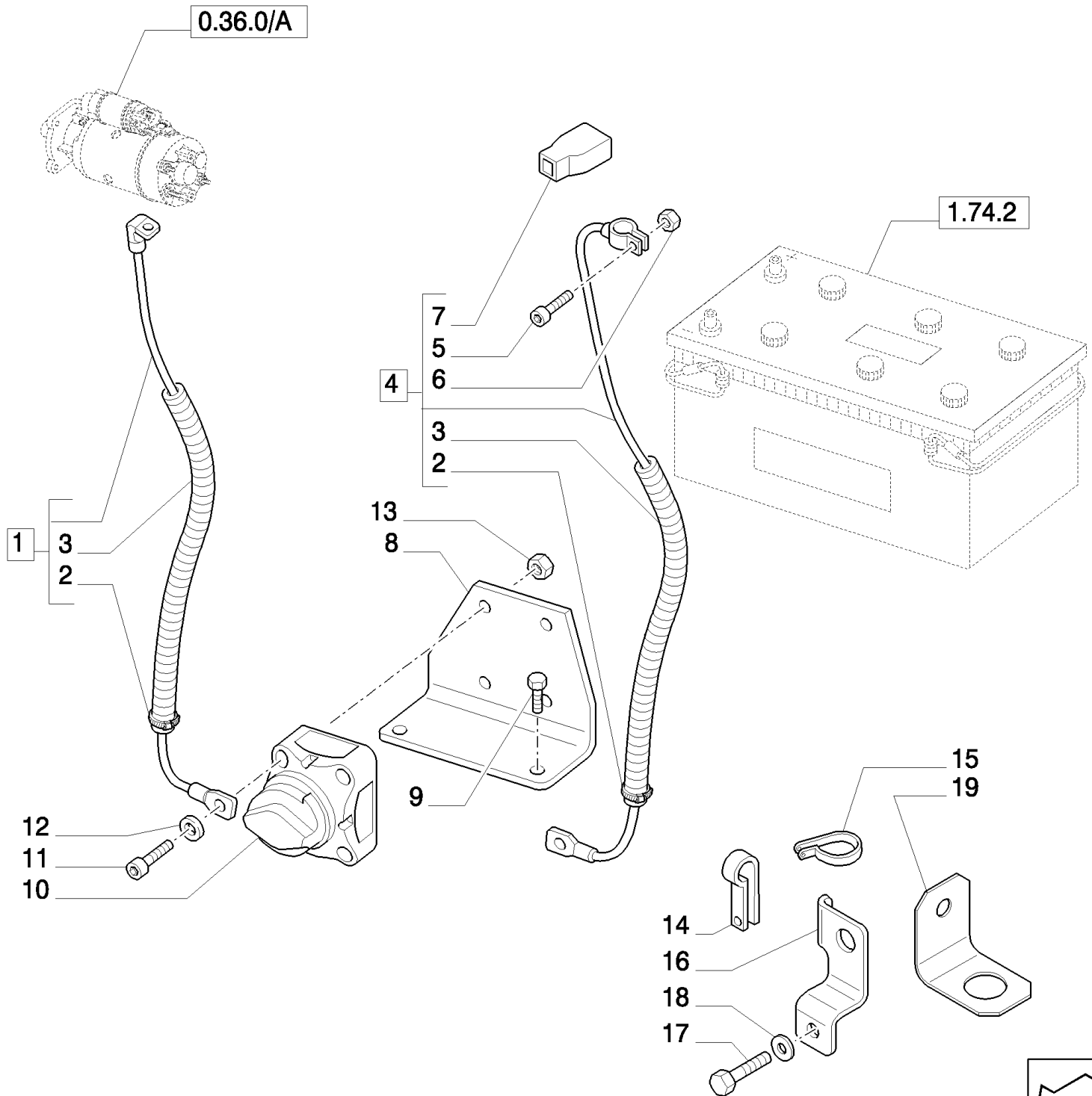
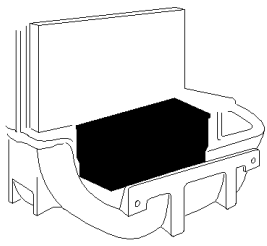


## MXM155 CASE IH TRACTOR (6/02- )

## 1.75.3 BATTERY, CABLES

сылка	Номер детали	Кол-во	Описание
1	82030173	1	CABLE, ELECTRIC, (2, 3, 4, 8, 10)
2	82879527	AR	NUT,
3	81869762	AR	BOLT,
4	5112712	AR	CLIP, HOSE, M4.8 x 283,
5	82018975	1	CABLE, ELECTRIC, (2, 3)
6	529070	1	STRAP, CABLE, .30" x 14.5",
6	263117	2	STRAP, CABLE, .14" x 11 1/2",
7	10450690	2	CLAMP,
8	82002797	AR	COVER,
9	16100811	1	NUT, M8, CI 8,
10	82918747	AR	SHIELD,
11	10441890	1	CLAMP, M22, ASN ACM253609
12	87329673	1	BRACKET, , ASN ACM253609
13	86977726	1	BOLT, Hex, M6 x 12, 8.8, , ASN ACM253609
14	17094714	1	WASHER, LOCK, M6 x 12.5, ASN ACM253609
15	87306036	1	BRACKET, , ASN ACM253609

D5066 Serial N°ACM253609

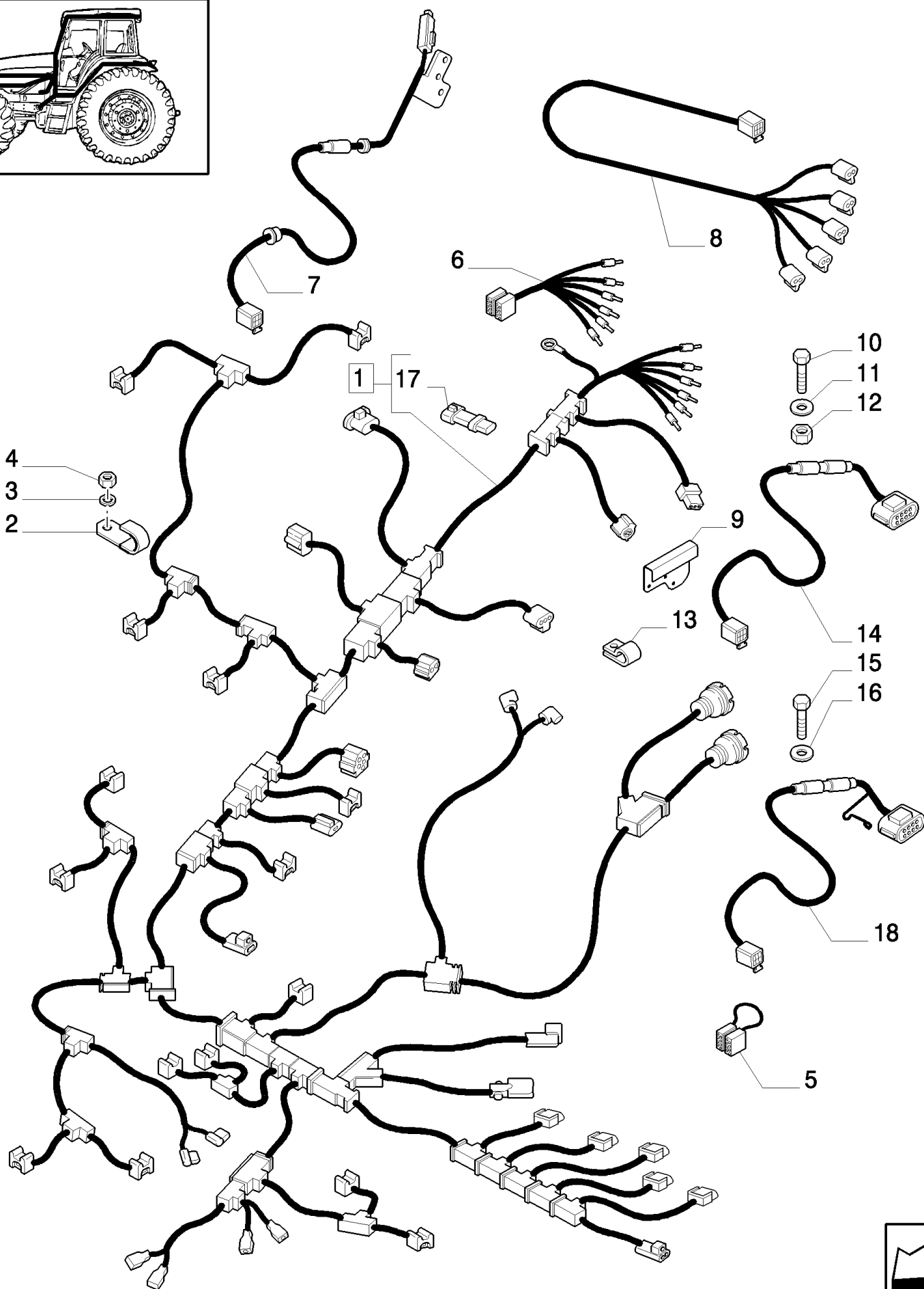
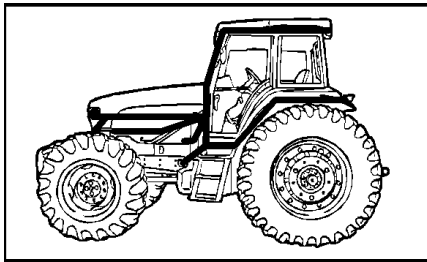


## MXM155 CASE IH TRACTOR (6/02- )

## 1.75.3/01 (VAR.753/1) BATTERY INSULATION

сылка	Номер детали	Кол-во	Описание
1	82033356	1	HARNESS, WIRE, Assy, Incl. 2, 3, BSN ACM253608
1	87308487	1	CABLE, ELECTRIC, Assy, Incl. 2, 3, ASN ACM253609
2	5112712	2	CLIP, HOSE, M4.8 x 283,
3	82918747	1	SHIELD,
4	82033355	1	HARNESS, WIRE, Assy, Incl. 2, 3, 5, 6, 7
5	81869762	1	BOLT,
6	82879527	1	NUT, M8
7	82002797	1	COVER,
8	82026210	1	CONSOLE,
9	10902224	2	BOLT, Hex, M6 x 16, 8.8, Full Thd,
10	82022881	1	SWITCH, Battery Isolator
11	10390211	4	SCREW, Slotted, Pan Hd, M5 x 35, 5.8,
12	10615371	4	WASHER, LOCK, Ext Tooth, M5,
13	15896421	4	NUT, M5, CI 10,
14	82033477	1	CLIP, Only for MXM175, MXM190, BSN ACM253608
15	10441890	1	CLAMP, M22, ASN ACM253609
16	87329673	1	BRACKET, , ASN ACM253609
17	86977726	1	BOLT, Hex, M6 x 12, 8.8, , ASN ACM253609
18	17094714	1	WASHER, LOCK, M6 x 12.5, ASN ACM253609
19	87306036	1	BRACKET, , ASN ACM253609

D5066 Serial N°ACM253609



## MXM155 CASE IH TRACTOR (6/02- )

## 1.75.4(01) ELECTRICAL SYSTEM CABLES - C5443

сылка	Номер детали	Кол-во	Описание
1	87306215	1	HARNESS, WIRE, MXM175, MXM190, W/Full Power Shift Trans. and with 4TH and 5TH Remote Valve Equip. 252-718, D5324-C5212
1	82028415	1	HARNESS, WIRE, MXM175, MXM190
1	82021032	1	HARNESS, WIRE, MXM120, MXM130, MXM140, MXM155, BSN ACM247564
1	87301857	1	HARNESS, WIRE, MXM175, MXM190, BTW ACM247565 & ACM263457
1	82028255	1	HARNESS, WIRE, MXM120, MXM130, MXM140, W/Mec. Trans. 20 x 16, BSN ACM247564
1	87301859	1	HARNESS, WIRE, , W/Full Power Shift Trans. 18 x 6 (40KPH 4WD) Equip. 281, BTW ACM247565 & ACM263457
1	82021031	1	HARNESS, WIRE, , W/Full Power Shift Trans. 18 x 6 (40KPH) and 17 x 6 (30KPH) Equip. 281, BSN ACM247564
1	87301860	1	HARNESS, WIRE, MXM120, MXM130, MXM140, MXM155, BTW ACM247565 & ACM263457
1	82034565	1	HARNESS, WIRE, MXM175, MXM190, BTW 230124 & ACM247564
1	87301862	1	HARNESS, WIRE, MXM120, MXM130, MXM140, W/Mec. Trans. 20 x 16, BTW ACM247565 & ACM263457
1	87301858	1	HARNESS, WIRE, MXM175, MXM190, W/Full Power Shift Trans. and with 4TH and 5TH Remote Valve Equip. 252-718, 230124-C5324
1	87330799	1	HARNESS, WIRE, MXM175, MXM190, ASN ACM263458
1	87330803	1	HARNESS, WIRE, , W/Full Power Shift Trans. 18 x 6 (40KPH 4WD) Equip. 281, BTW ACM263458 & ACM274950
1	87399673	1	HARNESS, WIRE, , W/Full Power Shift Trans. 18 x 6 (40KPH 4WD) Equip. 281, ASN ACM274951
1	87330804	1	HARNESS, WIRE, MXM120, MXM130, MXM140, MXM155, W/Semi Power Shift, ACM263458-C5265
1	87345961	1	HARNESS, WIRE, MXM120, MXM130, MXM140, MXM155, W/Semi Power Shift, BTW ACM267461-ACM267461 & ACM274950
1	87399648	1	HARNESS, WIRE, MXM120, MXM130, MXM140, MXM155, W/Semi Power Shift, ASN ACM274951
1	87330806	1	HARNESS, WIRE, MXM120, MXM130, MXM140, W/Mec. Trans. 20 x 16, BTW ACM263458 & ACM274950
1	87399674	1	HARNESS, WIRE, MXM120, MXM130, MXM140, W/HI-LO TRANS. 24x12 (40KPH-4WD) Equip.272, D5324-
1	87399675	1	HARNESS, WIRE, MXM120, MXM130, MXM140, MXM155, W/Mec. Trans. 20 x 16, ASN ACM274951
1	87330802	1	HARNESS, WIRE, MXM175, MXM190, W/Full Power Shift Trans. and with 4TH and 5TH Remote Valve Equip. 252-718, D5212-
2	5171792	1	CLAMP,
3	82879382	1	WASHER,
4	89706690	1	NUT, M8, CI 8,
5	82014331	1	HARNESS, WIRE, Ground Speed PTO Link
6	82023144	1	HARNESS, WIRE,
7	82036227	1	HARNESS, WIRE, MXM120, MXM130, MXM140, TM155, Viscotronic Fan, -C4883
7	82036228	1	HARNESS, WIRE, MXM175, MXM190, Viscotronic Fan, -C4883
8	82026063	1	HARNESS, WIRE, , W/Equip.900 Hydr. Adjust. for Top Link and RH Lift-Rod for CCLS
9	82038676	1	SHIELD, , Viscotronic Fan, D4883-
10	10902424	1	BOLT, Hex, M6 x 20, 8.8, Full Thd, , Viscotronic Fan, D4883-
11	12640604	2	WASHER, M6 x 25 x 2, , Viscotronic Fan, D4883-
12	10789611	1	NUT, M6, Viscotronic Fan, D4883-
13	10418405	1	CLAMP, , Viscotronic Fan, D4883-
14	82038674	1	HARNESS, WIRE, , Viscotronic Fan, D4883-ACM267875

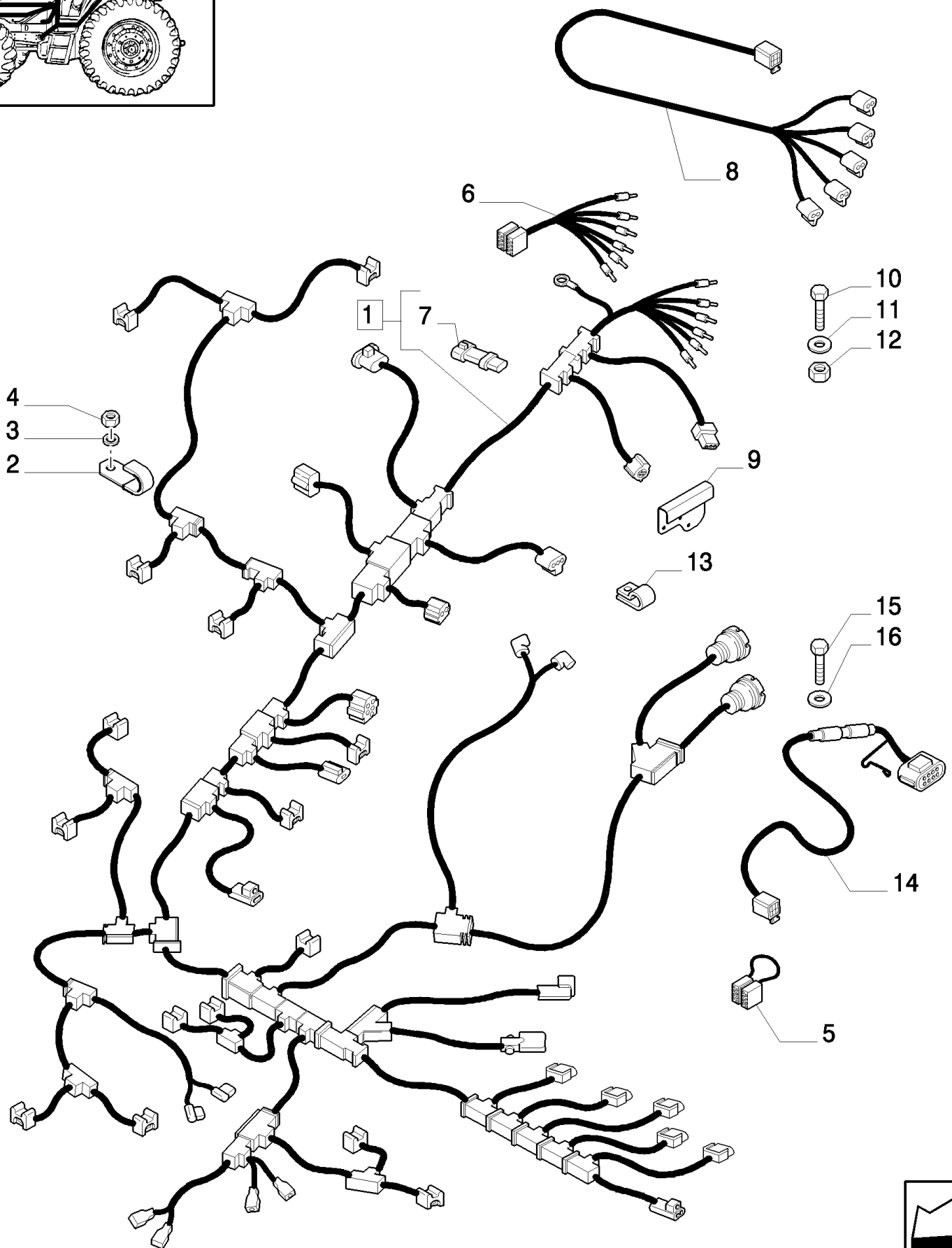
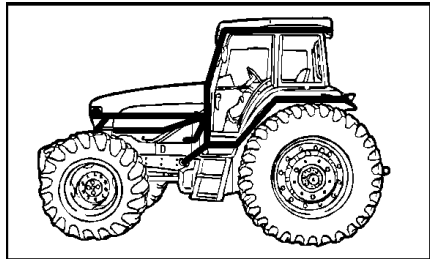
D4868 Serial N.230124-ACM267461-D4883 After Date 07/11/2003-D4993 Serial N.ACM247565-D5212 Serial N.ACM263458-D5265 Serial N.ACM267461-D5322 Serial N.ACM267876-D5324 Serial N.ACM274951-C5443 Serial N.ACM276396

MXM155 CASE IH TRACTOR (6/02- )

1.75.4(01) ELECTRICAL SYSTEM CABLES - C5443

сылка	Номер детали	Кол-во	Описание
15	10902421	2	BOLT, Hex, M6 x 20, 8.8,
16	10519401	2	WASHER, M6 x 11.95 x 1.6,
17	82036572	1	HARNESS, WIRE,
18	87398532	1	HARNESS, WIRE, , ASN ACM267876

D4868 Serial N.230124 D4883 After Date 07/11/2003 D4993 Serial N.ACM247565 D5212 Serial N.ACM263458 D5265 Serial N.ACM267461 D5322 Serial N.ACM267876 D5324 Serial N.ACM274951 C5443 Serial N.ACM276396





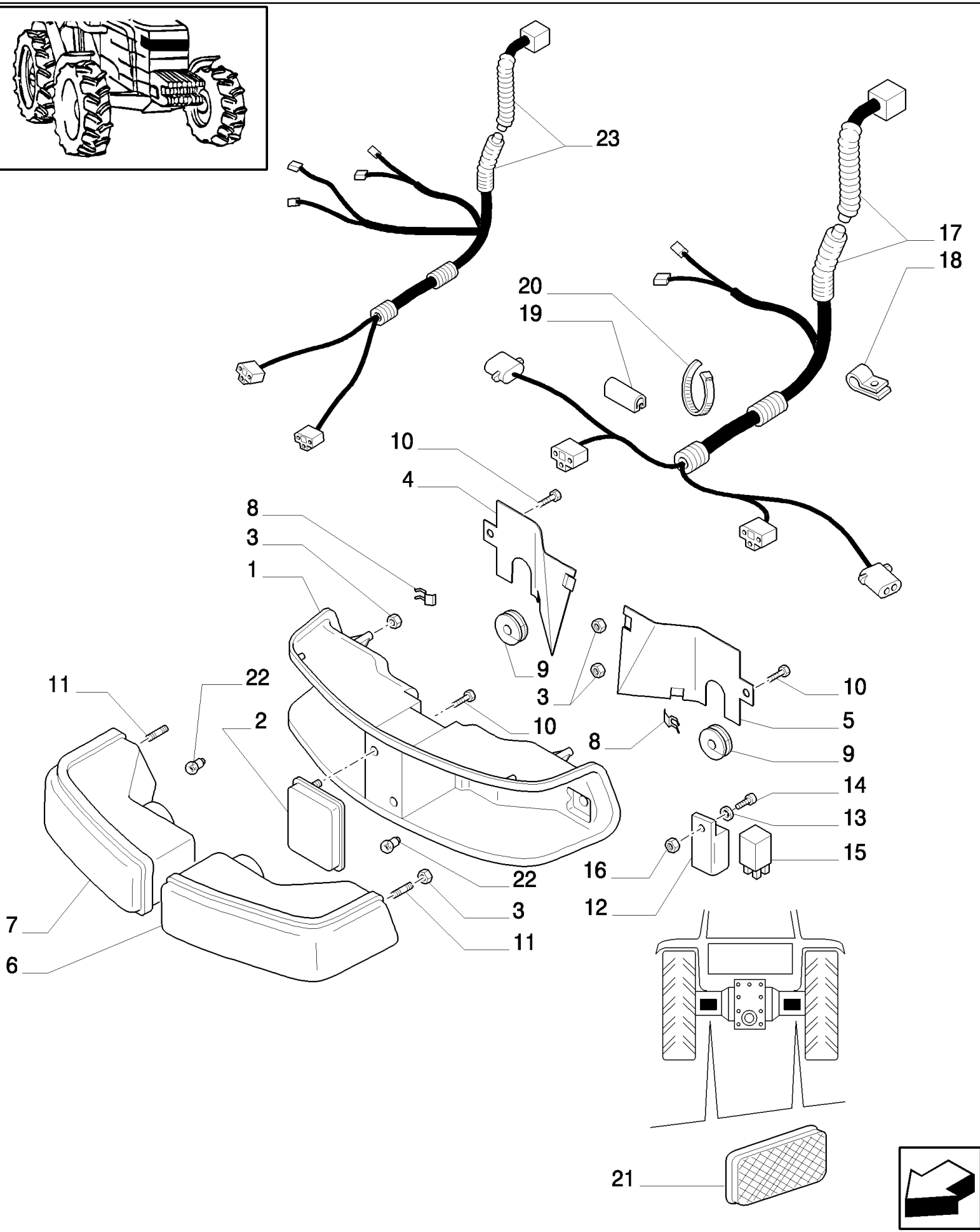
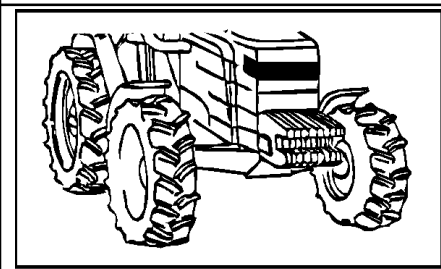
## MXM155 CASE IH TRACTOR (6/02- )

## 1.75.4(01A) ELECTRICAL SYSTEM CABLES - D5443

сылка	Номер детали	Кол-во	Описание
1	82028415	1	HARNESS, WIRE, MXM175, MXM190
1	87520235	1	HARNESS, WIRE, , W/Semi Power Shift, ASN ACM276397
1	87520237	1	HARNESS, WIRE, , ASN ACM276397
1	87520238	1	HARNESS, WIRE, , W/Full Power Shift Trans. and with 4TH and 5TH Remote Valve Equip. 252-718
1	87520240	1	HARNESS, WIRE, , W/Full Power Shift Trans. 18 x 6 (40KPH 4WD) Equip. 281
1	87520243	1	HARNESS, WIRE, MXM120, MXM130, MXM140, W/Hi-LO trans. 24 x 12 (40kph) Equip. 272, ASN ACM276397
1	87399675	1	HARNESS, WIRE, MXM120, MXM130, MXM140, MXM155
2	5171792	1	CLAMP,
3	82879382	1	WASHER,
4	89706690	1	NUT, M8, CI 8,
5	82014331	1	HARNESS, WIRE, Ground Speed PTO Link
6	82023144	1	HARNESS, WIRE,
7	82036572	1	HARNESS, WIRE,
8	82026063	1	HARNESS, WIRE, , W/Equip.900 Hydr. Adjust. for Top Link and RH Lift-Rod for CCLS
9	82038676	1	SHIELD, , Viscotronic Fan, D4883-
10	10902424	1	BOLT, Hex, M6 x 20, 8.8, Full Thd, , Viscotronic Fan, D4883-
13	10418405	1	CLAMP, , Viscotronic Fan, D4883-
14	87398532	1	HARNESS, WIRE,
15	10902421	2	BOLT, Hex, M6 x 20, 8.8,
16	10519401	2	WASHER, M6 x 11.95 x 1.6,

D5443 Serial N.ACM276397

1.75.6 HEADLAMP - REFLECTOR

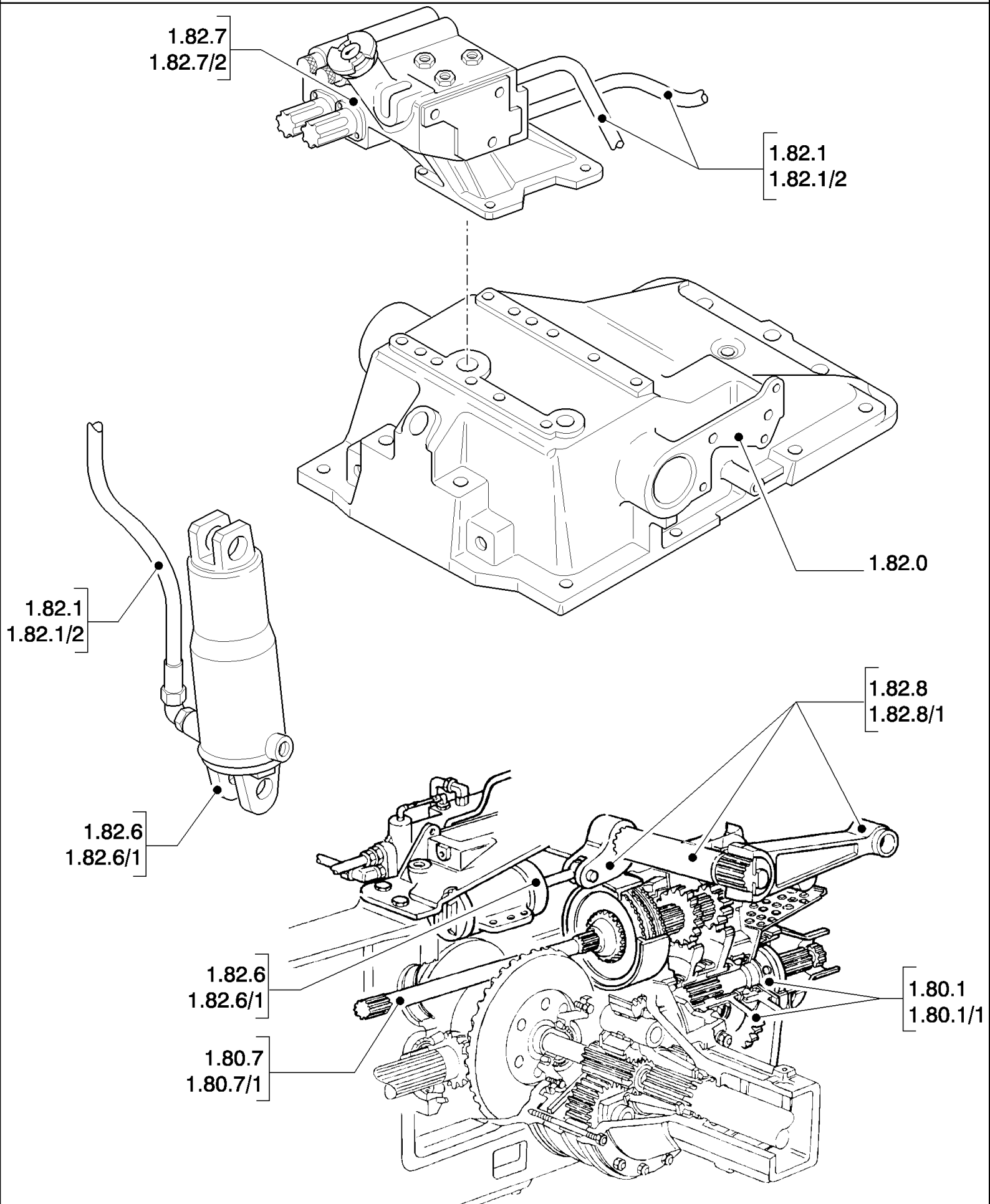


## MXM155 CASE IH TRACTOR (6/02- )

## 1.75.6 HEADLAMP - REFLECTOR

сылка	Номер детали	Кол-во	Описание
1	82024284	1	HOUSING,
2	82026810	1	REFLECTOR,
3	86625060	8	NUT, Self, Threading, 1/4",
4	303583A1	1	COVER,
5	303585A1	1	COVER,
6	232449A2	1	HEADLIGHT, LH, Incl. 11
6	232450A2	1	HEADLIGHT, RH, Incl. 11, VAR. 760 (LH DIP)
7	232448A2	1	HEADLIGHT, RH, Incl. 11
7	232451A2	1	HEADLIGHT, LH, Incl. 11, VAR.760 (LH DIP)
8	259713A1	6	CLIP,
9	284238A1	2	GROMMET,
10	780-34616	2	SCREW, SELF TAP, Hex Wash Hd, M6.3 x 16,
11	780-34619	6	SCREW, SELF TAP, Hex Wash Hd, M6.3 x 19,
12	81864737	1	COVER,
13	12605279	1	WASHER,
14	81864749	1	SCREW, M5 x 12
15	82017871	1	RELAY,
16	15896421	1	NUT, M5, CI 10,
17	82023952	1	HARNESS, WIRE, , BSN ACM268845
18	81866030	2	CLIP,
19	81816009	1	BUMPER,
20	529070	2	STRAP, CABLE, .30" x 14.5",
21	82002957	2	REFLECTOR,
22	323093A1	2	BULB, 50W
22	14152090	2	BULB, 60/55W
23	87383420	1	HARNESS, WIRE, , ASN ACM268846

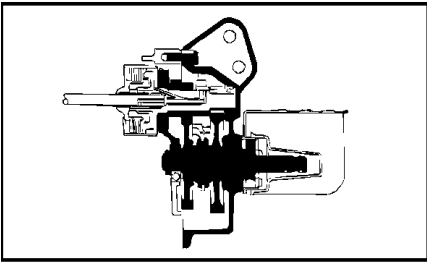
D5273 Serial n.ACM268846



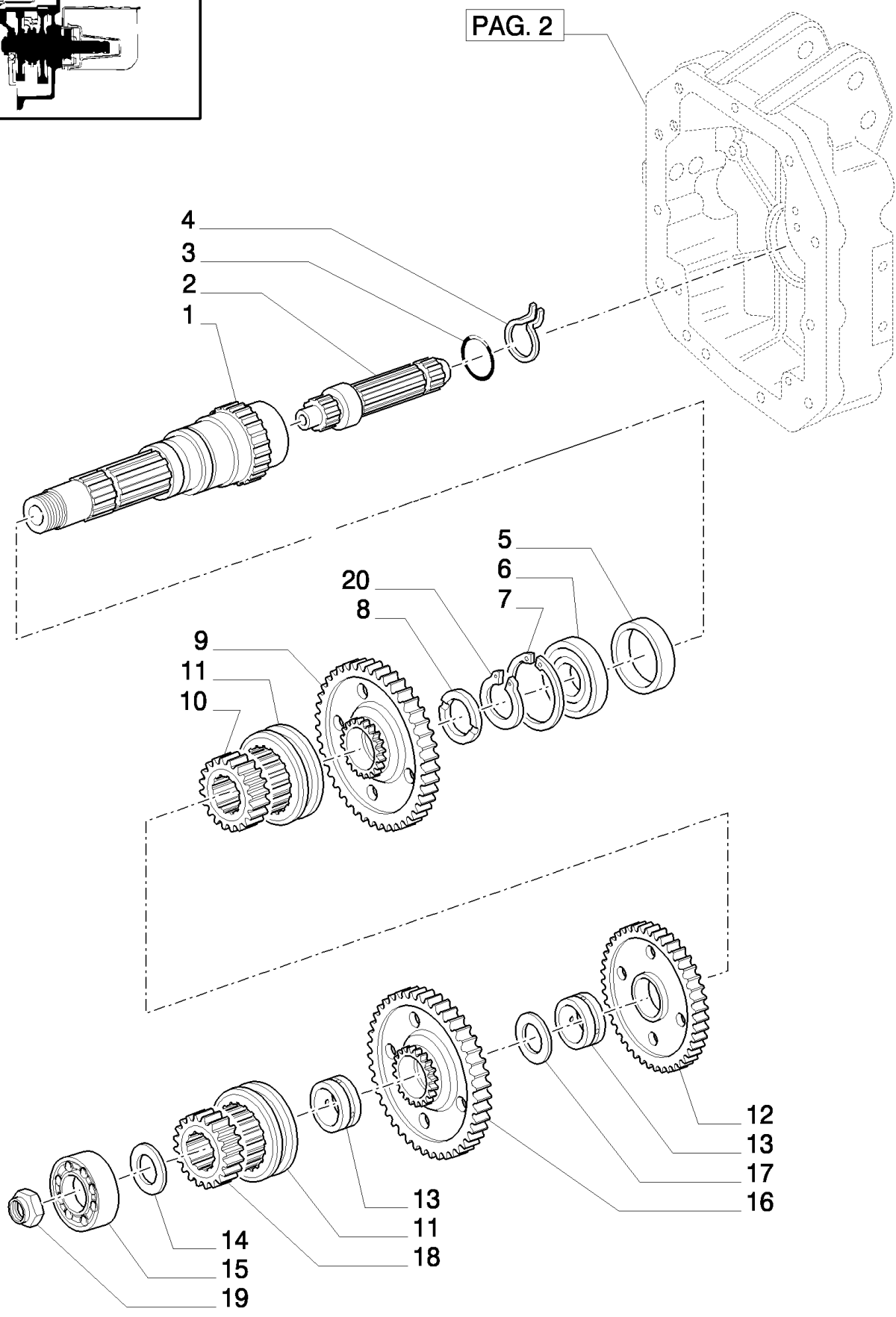
MXM155 CASE IH TRACTOR (6/02- )

1.80.0 SEC. 07 - HYDRAULICS

сылка	Номер детали	Кол-во	Описание



PAG. 2

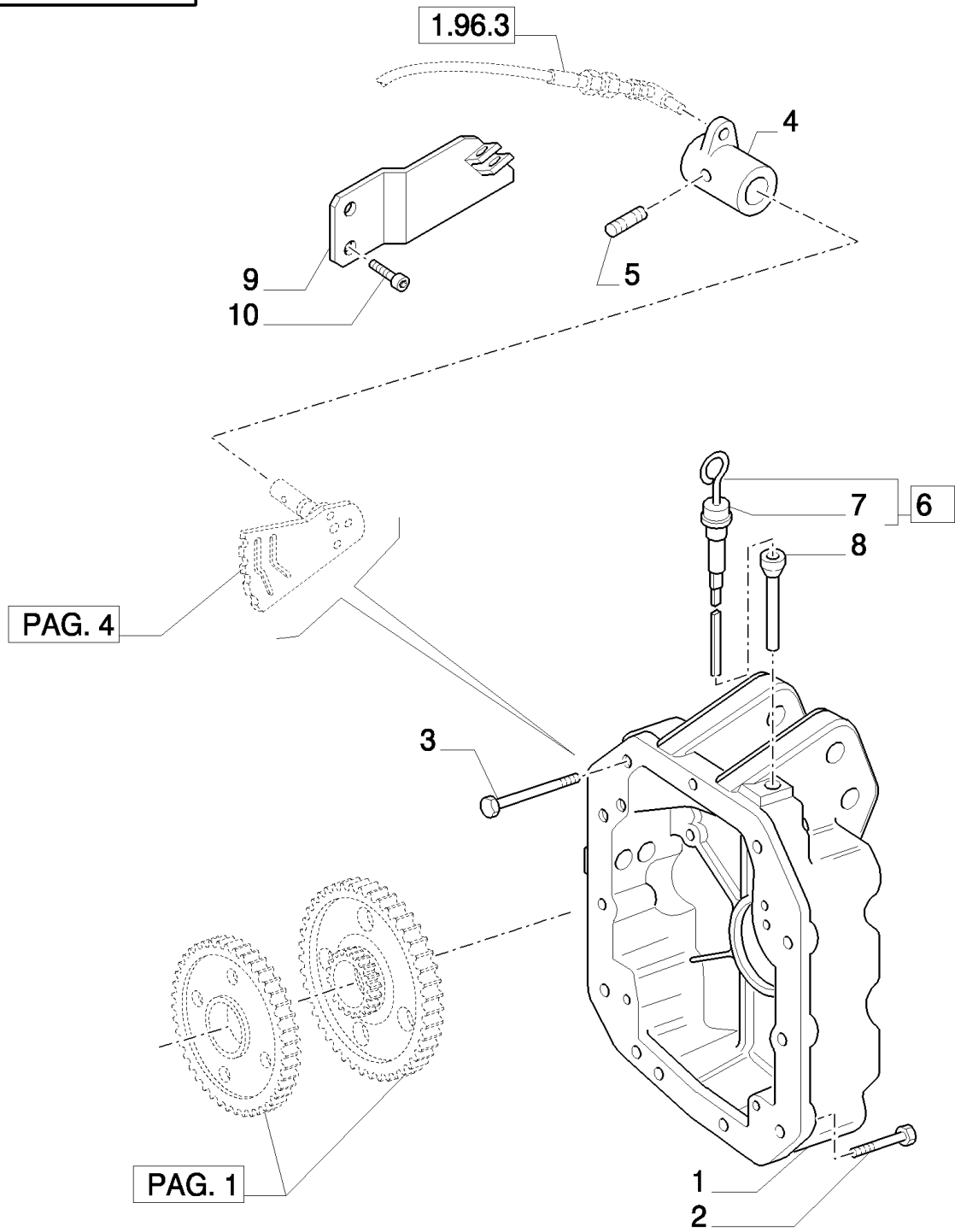
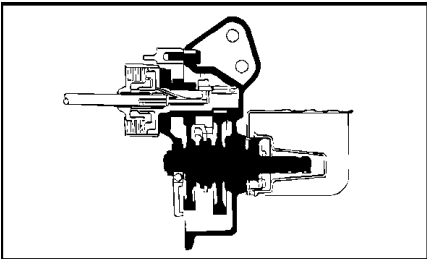


## MXM155 CASE IH TRACTOR (6/02- )

## 1.80.1(01) POWER TAKE-OFF 540/750/1000 RPM

сылка	Номер детали	Кол-во	Описание
1	47126964	1	SHAFT, , BSN 226420
1	47132618	1	SHAFT, , ASN 226421
2	47130743	1	SHAFT, PTO, 540 RPM, 1-3/8" 6 Teeth
2	47130744	1	SHAFT, PTO, 1000 RPM, 1-3/8" 21 Teeth
3	14459881	1	SEAL, 2.62 x 56.82
4	87347166	1	CIRCLIP,
5	5196487	1	SEAL,
6	26794670	1	BEARING, BALL, 65 x 120 x 23
7	11075976	1	RING, SNAP, M120, Int,
8	47131733	1	RING, LOCKING, , BSN 226420
8	5143130	1	RING, SNAP, M60, Ext x 4mm, , ASN 226421
9	5196193	1	GEAR, 540 RPM
10	47126968	1	SLEEVE,
11	5129513	2	SLEEVE,
12	5151294	1	GEAR, DRIVEN, 750 RPM
13	5151437	2	RING,
14	5151435	1	WASHER, THRUST,
15	20943310	1	BEARING, BALL, 40 x 90 x 23
16	5151388	1	GEAR, DRIVEN, 1000 RPM
17	5151436	1	WASHER, THRUST,
18	5151488	1	SLEEVE,
19	5123114	1	NUT, RING, M32 x 1.5
20	11070076	1	RING, SNAP, M65, Ext, , BSN 226420
20	47132613	1	WASHER, THRUST, , ASN 226421

D4867 Serial N.226421



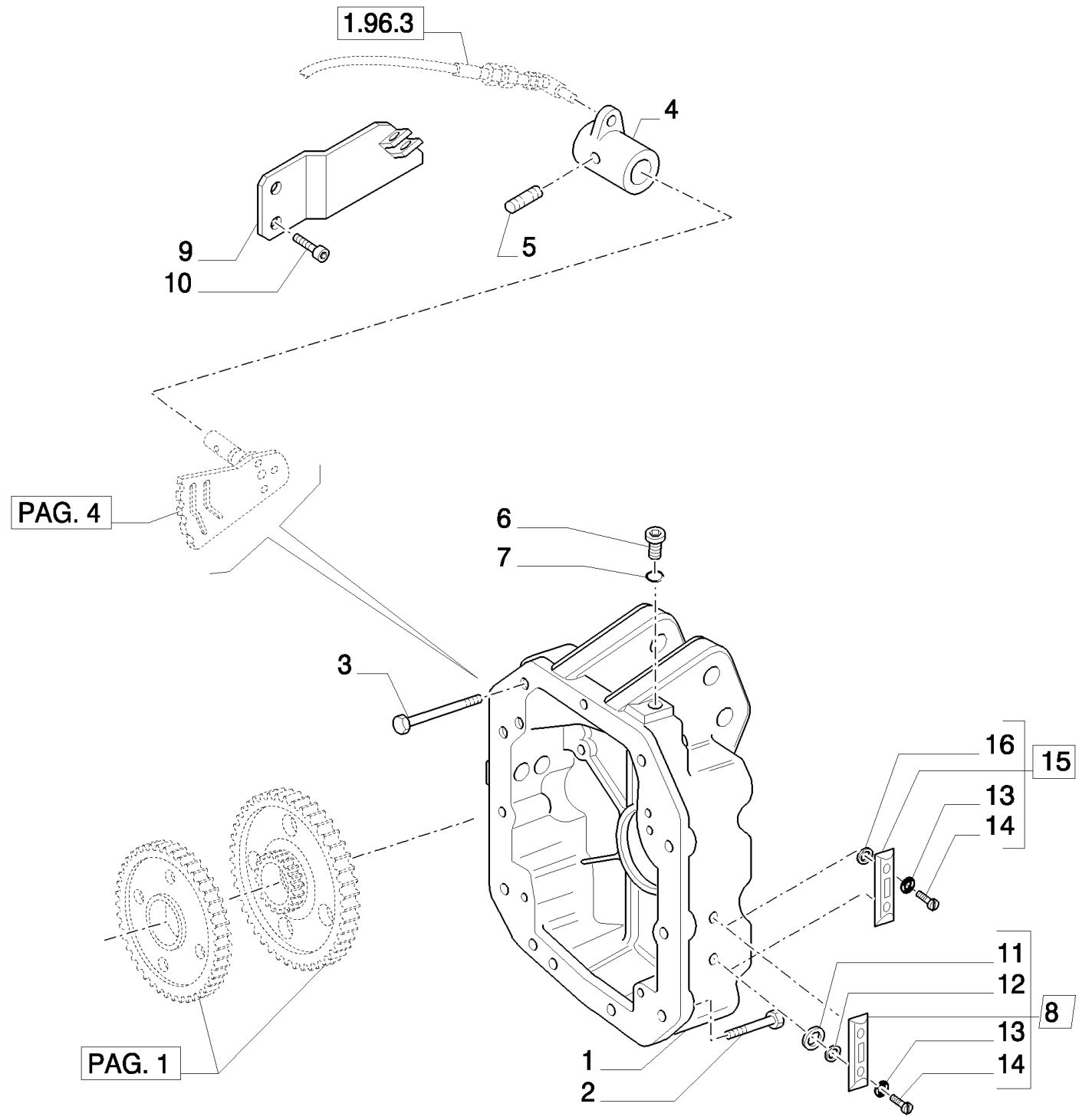
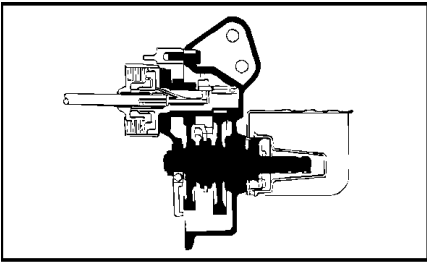


## MXM155 CASE IH TRACTOR (6/02- )

## 1.80.1(02) POWER TAKE-OFF 540/750/1000 RPM - C4866

сылка	Номер детали	Кол-во	Описание
1	5196179	1	HOUSING,
2	15981121	8	BOLT, Hex, M16 x 1.5 x 60, 8.8, Full Thd,
3	15981624	3	BOLT, Hex, M16 x 1.5 x 100, 8.8,
4	5179656	1	LEVER,
5	14607070	1	PIN, LOCK, M8 x 32, Slotted,
6	5157950	1	DIPSTICK,
6	5190744	1	DIPSTICK, , W/Full Power Shift Trans. 18 x 6 (40 Kph-4WD) and 17 x 6 (30 Kph) Equip. 281
7	4624702	1	GASKET,
8	5156729	1	TUBE,
9	47129557	1	BRACKET,
10	14833324	2	BOLT, Hex, M10 x 1.25 x 20, Full Thd,

C4866 Before Date 20/03/03

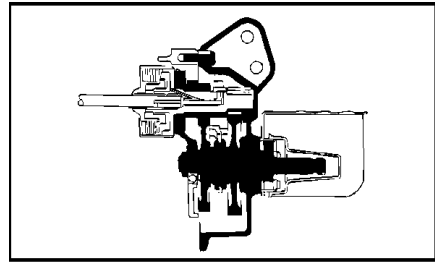


## MXM155 CASE IH TRACTOR (6/02- )

1.80.1(02A) POWER TAKE-OFF 540/750/1000 RPM - D4866

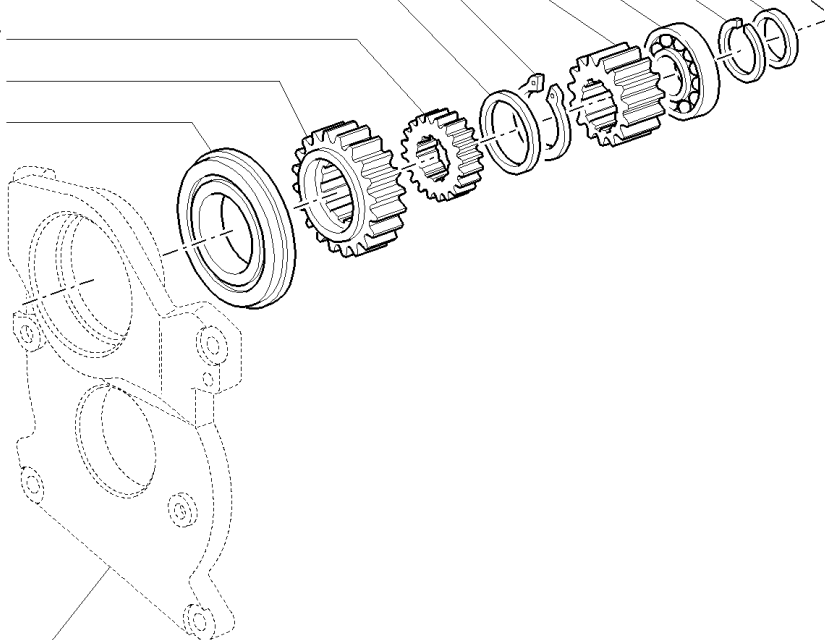
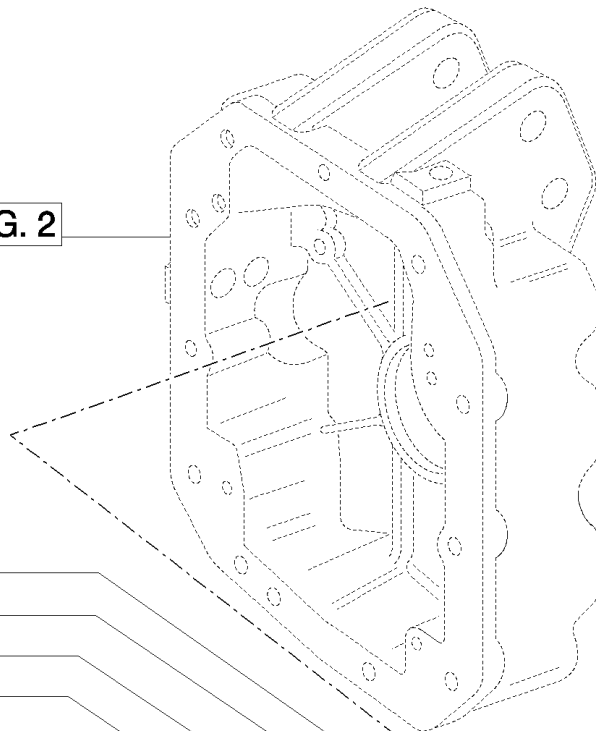
сылка	Номер детали	Кол-во	Описание
1	47132227	1	HOUSING,
2	15981121	8	BOLT, Hex, M16 x 1.5 x 60, 8.8, Full Thd,
3	15981624	3	BOLT, Hex, M16 x 1.5 x 100, 8.8,
4	5179656	1	LEVER,
5	14607070	1	PIN, LOCK, M8 x 32, Slotted,
6	10119311	1	PLUG, M16 x 1.5 x 12, C15.8,
7	14437885	1	O-RING, 13.3MM ID x 2.4 Thk,
8	47132282	1	INDICATOR, , -C5171
8	47124536	1	INDICATOR, , W/Full Power Shift Trans. 18 x 6 (40 KPH 4WD) and 17 x 6 (30 KPH) Equip. 281
9	87351139	1	BRACKET, , ASN ACM269446
9	47126346	1	BRACKET, , BSN ACM269945
10	14833324	2	BOLT, Hex, M10 x 1.25 x 20, Full Thd,
11	47130061	2	WASHER, , -C5171
12	47130190	2	GASKET, , -C5171
13	47130060	2	GASKET,
14	47130059	2	SCREW, M12
15	87348844	1	INDICATOR, , D5171-
16	87349969	2	SEAL, , D5171-

D4866 After Date 20/03/03 D5171 After Date 03 March 2006 D5378 Serial N. ACM269446



PAG. 2

- 1
- 2
- 3
- 4
- 9
- 8
- 6
- 7
- 5



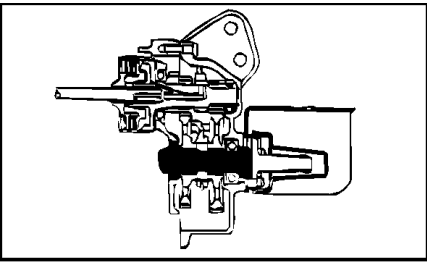
PAG. 4



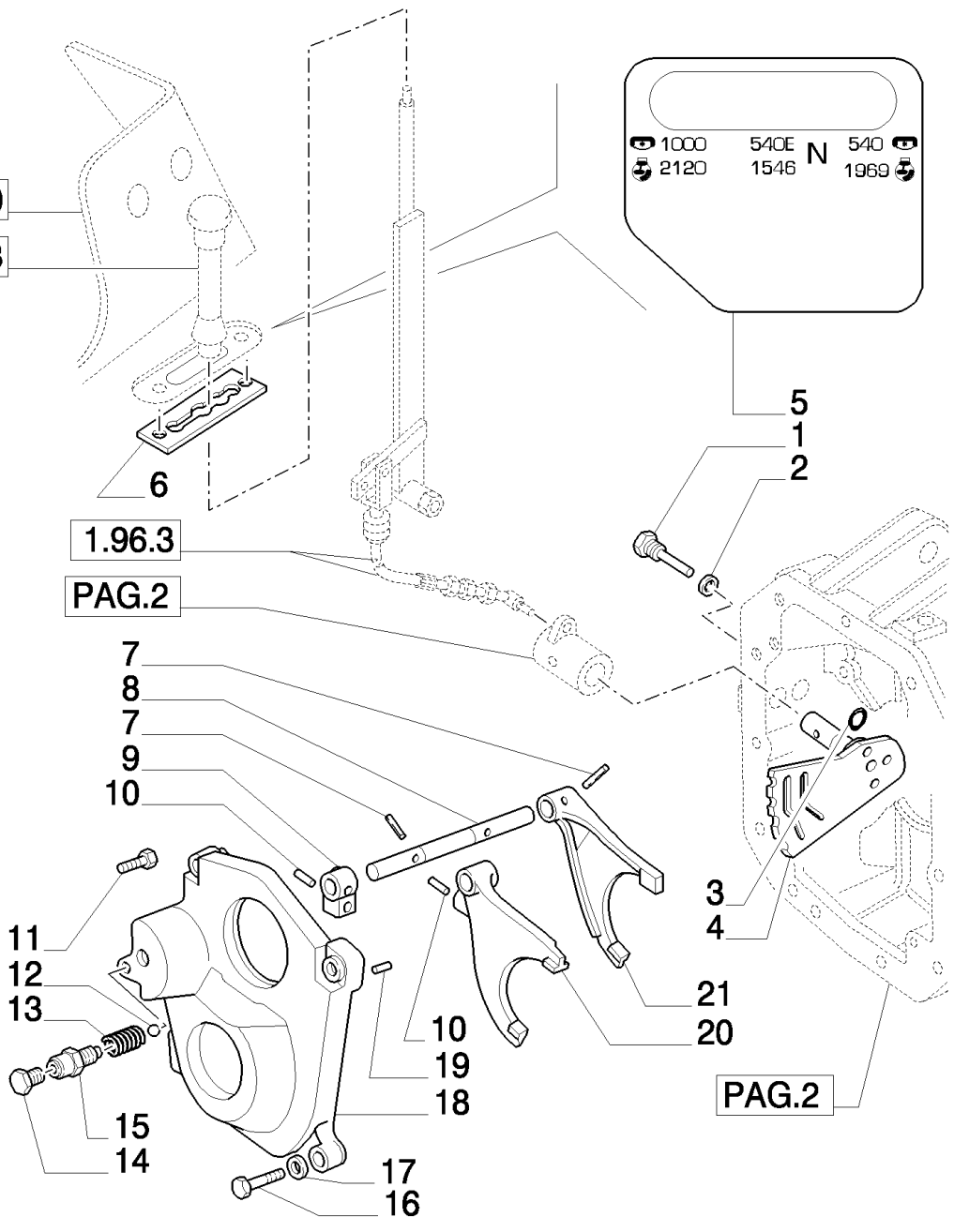
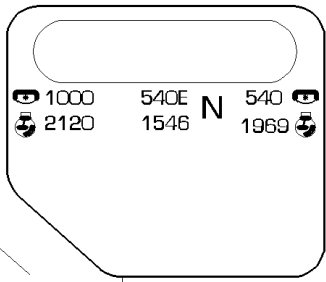
## MXM155 CASE IH TRACTOR (6/02- )

## 1.80.1(03) POWER TAKE-OFF 540/750/1000 RPM

сылка	Номер детали	Кол-во	Описание
1	5154307	1	RING, LOCKING,
2	5154308	1	WASHER, THRUST, 35.1 x 43 x 2
3	5151460	1	BEARING, ROLLER, 35 x 72 x 17
4	5151267	1	GEAR, DRIVING, 540 RPM
5	28996360	1	BEARING, BALL, 60 x 110 x 22
6	5151254	1	GEAR, DRIVING,
7	5151249	1	GEAR, DRIVING, 1000 RPM
8	5151457	1	WASHER, THRUST,
9	5138419	1	RING, SNAP, D = 50



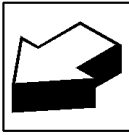
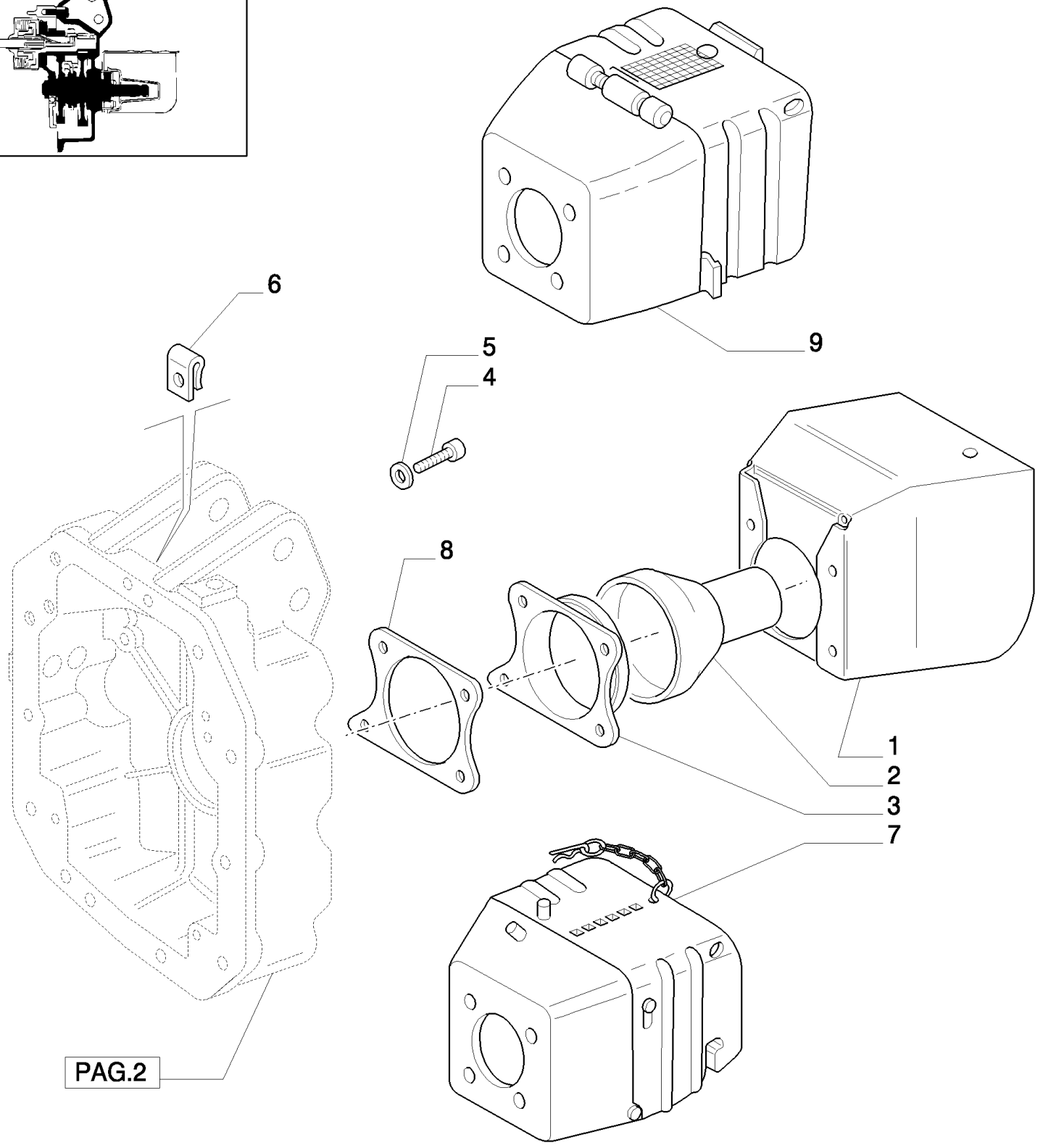
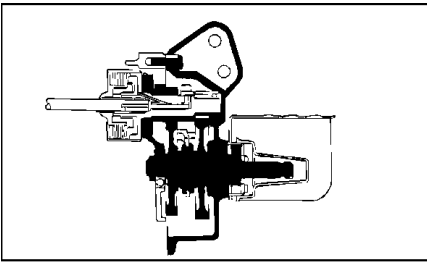
1.93.0  
1.96.3



## MXM155 CASE IH TRACTOR (6/02- )

## 1.80.1(04) POWER TAKE-OFF 540/750/1000 RPM

сылка	Номер детали	Кол-во	Описание
1	5151423	1	SCREW,
2	10259960	1	WASHER, SEALING, M18.3 x 24 x 1.5,
3	14457281	1	O-RING, -114, CI 7, .612" ID x .103" Thk,
4	5179667	1	PIN,
5	82006495	1	DECAL,
6	82012549	1	BRACKET,
7	14604070	2	PIN, LOCK, M6 x 28, Slotted,
8	5151414	1	ROD,
9	5151420	1	DOG,
10	5154545	2	PIN,
11	15971521	2	BOLT, Hex, M10 x 1.25 x 85, 8.8,
12	20063390	1	BALL,
13	4994342	1	SPRING,
14	11903114	1	PLUG, M10 x 1.25 x 11,
15	5180446	1	PLUG,
16	15540724	4	BOLT, Hex, M12 x 1.25 x 45, 8.8,
17	11190774	4	WASHER, SPRING, Belleville, M13,
18	5186367	1	SUPPORT,
19	10839710	2	DOWEL, M10 x 15
20	5151418	1	FORK, SHIFTER, 1000 RPM
21	5151413	1	FORK, SHIFTER, 540/750 RPM



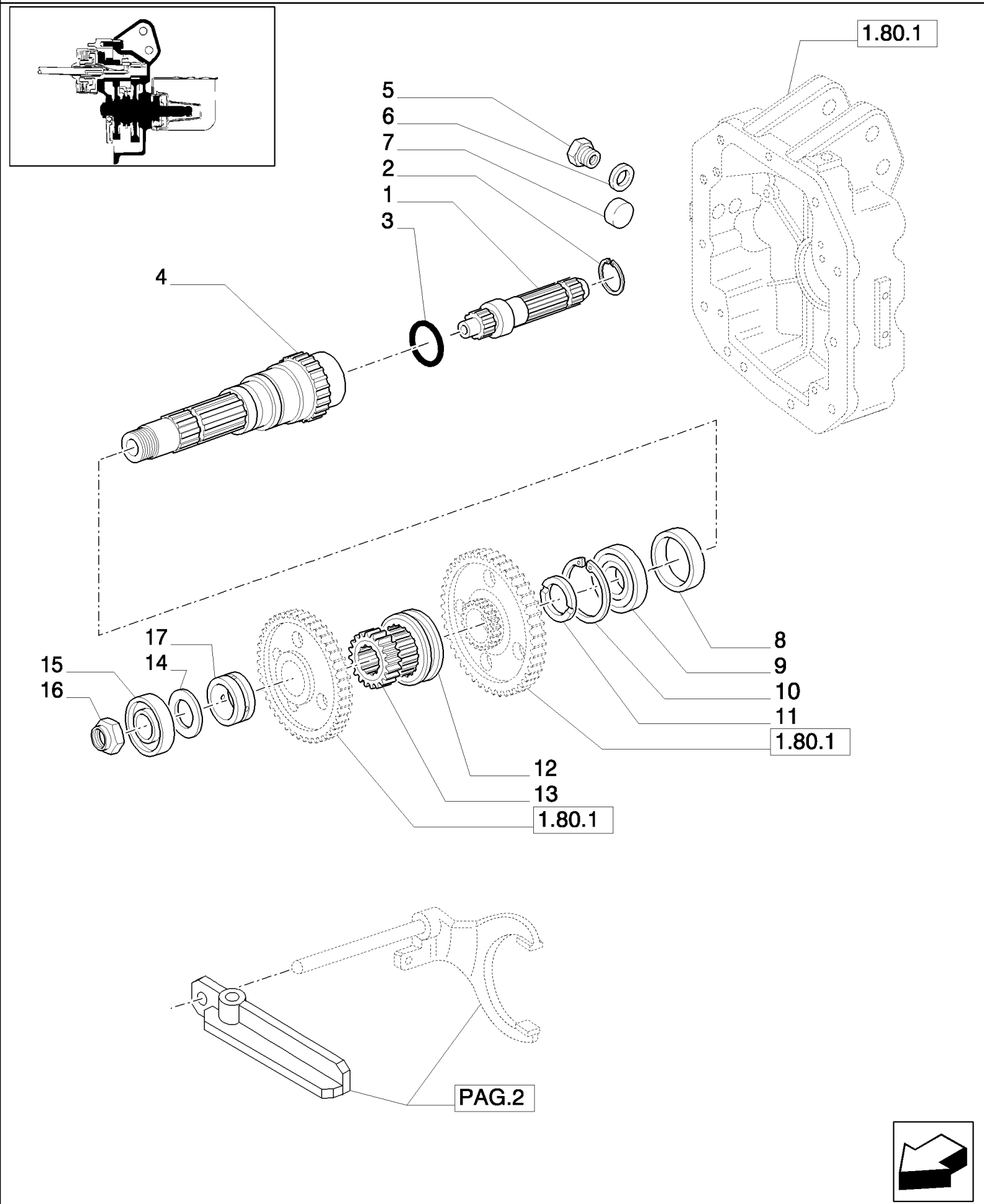


MXM155 CASE IH TRACTOR (6/02- )

1.80.1(05) POWER TAKE-OFF 540/750/1000 RPM

сылка	Номер детали	Кол-во	Описание
1	5171516	1	SHIELD,
2	5171520	1	SHIELD,
3	5155332	1	SEAL PROTECTION,
4	14306321	4	SCREW, Hex Soc Hd, M8 x 20, 8.8,
5	11193974	4	WASHER, SPRING, Belleville, M8.4,
6	10449890	1	CLAMP,
7	82024034	1	SHIELD, (Equip. 816)
8	47131825	1	SEAL, , ASN 226421
9	47125899	1	SHIELD, (Equip. 947)

D4867 Serial N.226421

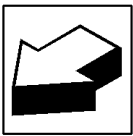
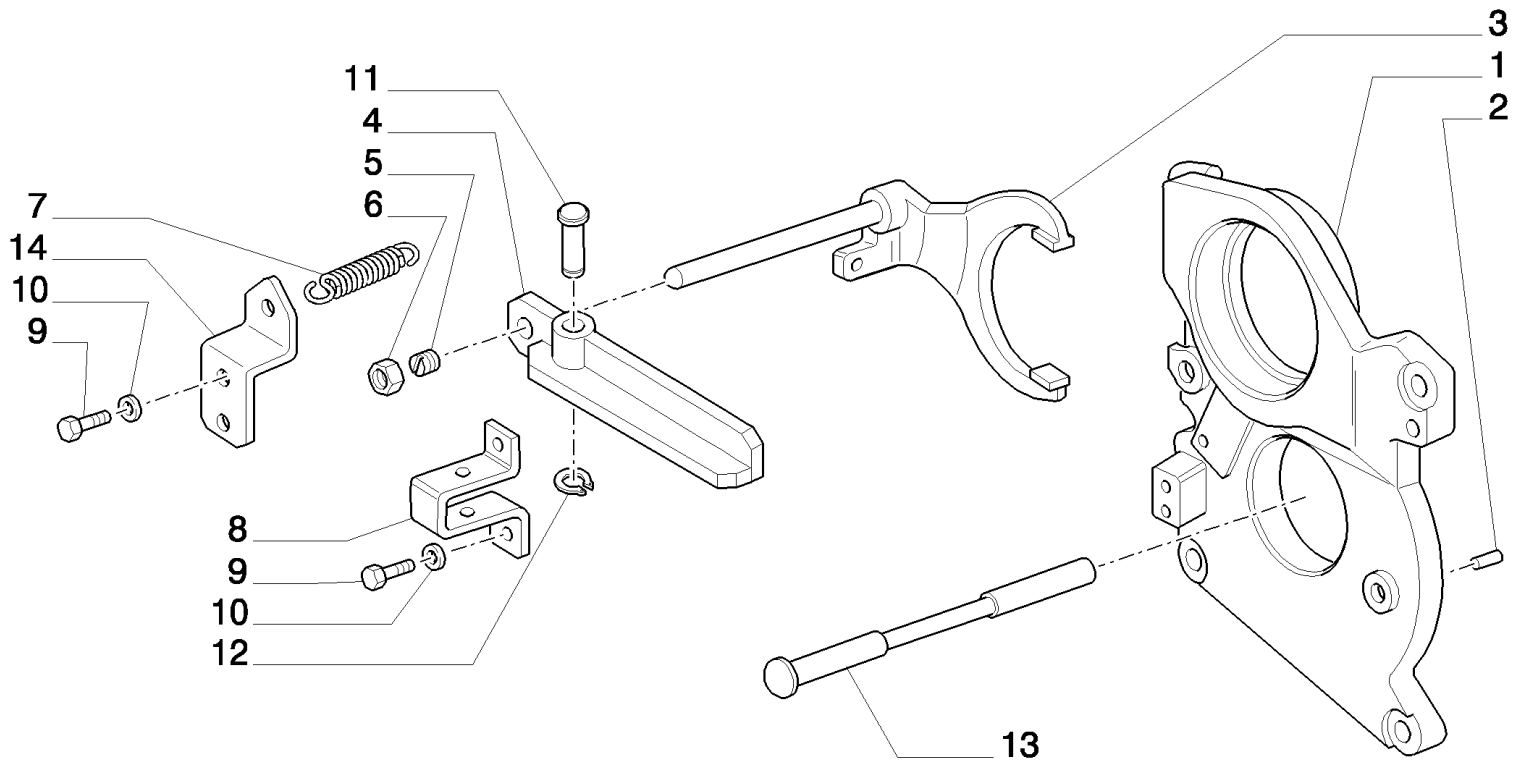
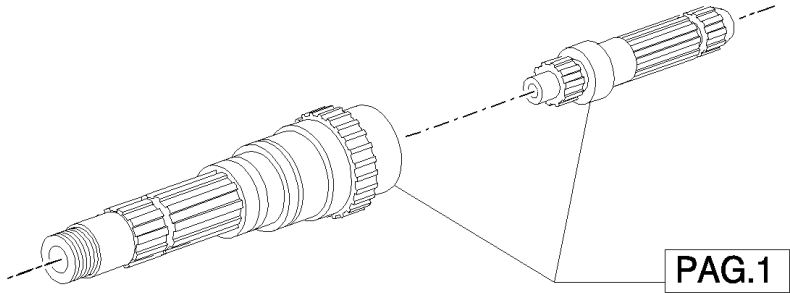
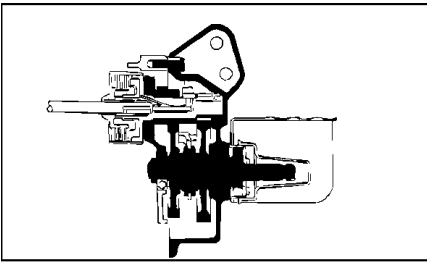


## MXM155 CASE IH TRACTOR (6/02- )

## 1.80.1/02(01) (VAR.809) PTO 540/1000 RPM - SHAFTS AND RELEVANT PARTS

сылка	Номер детали	Кол-во	Описание
1	47130744	1	SHAFT, PTO, 1000 RPM
1	47130743	1	SHAFT, PTO, 540 RPM
2	47131547	1	CIRCLIP,
3	14459881	1	SEAL,
4	5196183	1	SHAFT, 540/1000 RPM, BSN 226420
4	47132698	1	SHAFT, , ASN 226421
5	10300811	1	PLUG, M18 x 1.5 x 14, CI5.8,
6	10259960	1	WASHER, SEALING, M18.3 x 24 x 1.5,
7	14328701	1	PLUG, M20, Tapered,
8	5196487	1	SEAL, 80 x 100 x 10
9	26794670	1	BEARING, BALL, 65 x 120 x 23
10	11075976	1	RING, SNAP, M120, Int,
11	11070076	1	RING, SNAP, M65, Ext,
12	5145798	1	SLEEVE,
13	5145826	1	SLEEVE,
14	5141235	1	WASHER, THRUST, D = 45.1
15	20943310	1	BEARING, BALL, 40 x 90 x 23
16	5123114	1	NUT, RING, M36 x 17
17	5151437	1	RING, D = 44.4

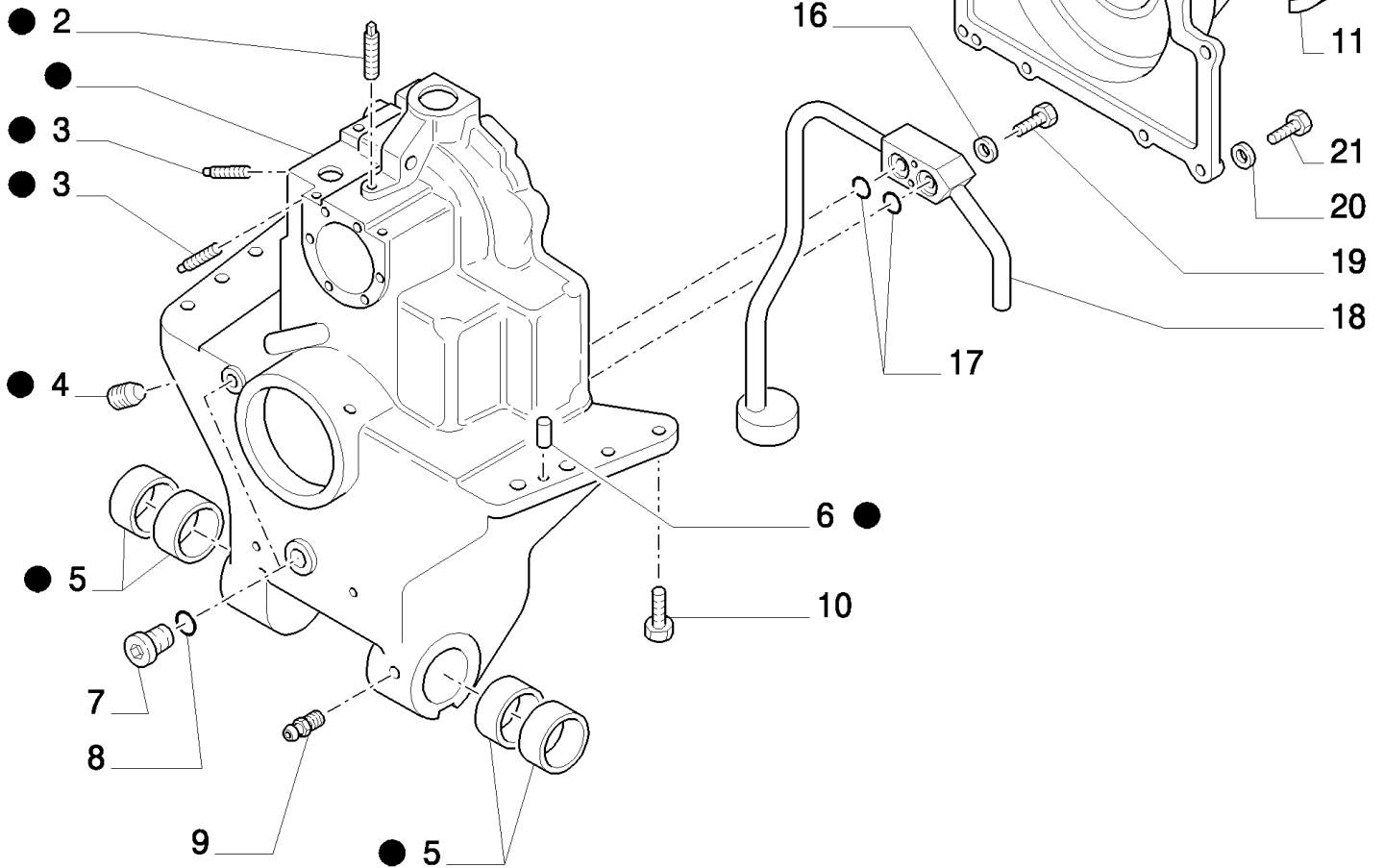
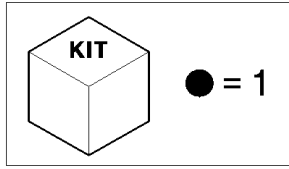
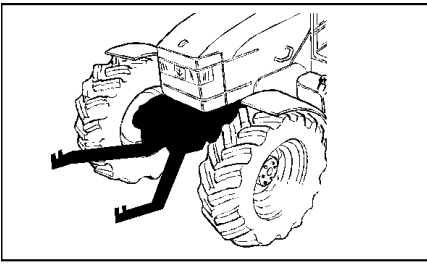
D4867 Serial N.226421



## MXM155 CASE IH TRACTOR (6/02- )

1.80.1/02(02) (VAR.809) PTO 540/1000 RPM - SUPPORT AND FORK

сылка	Номер детали	Кол-во	Описание
1	5196190	1	SUPPORT,
2	10839710	2	DOWEL, M10 x 15
3	5196172	1	FORK, SHIFTER,
4	5171261	1	LEVER,
5	5171363	1	PIN, M12 x 1.25
6	10717311	1	NUT, Thin, M12 x 1.75, CI 04,
7	4983677	1	SPRING,
8	5179750	1	SUPPORT,
9	14305724	4	SCREW, Hex Soc Hd, M6 x 14, 8.8,
10	11197774	4	WASHER, SPRING, Belleville, M6.4,
11	5179749	1	PIN,
12	11065976	1	RING, SNAP, M10, Ext,
13	47126761	1	PIN,
14	87345949	1	SUPPORT,

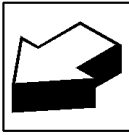
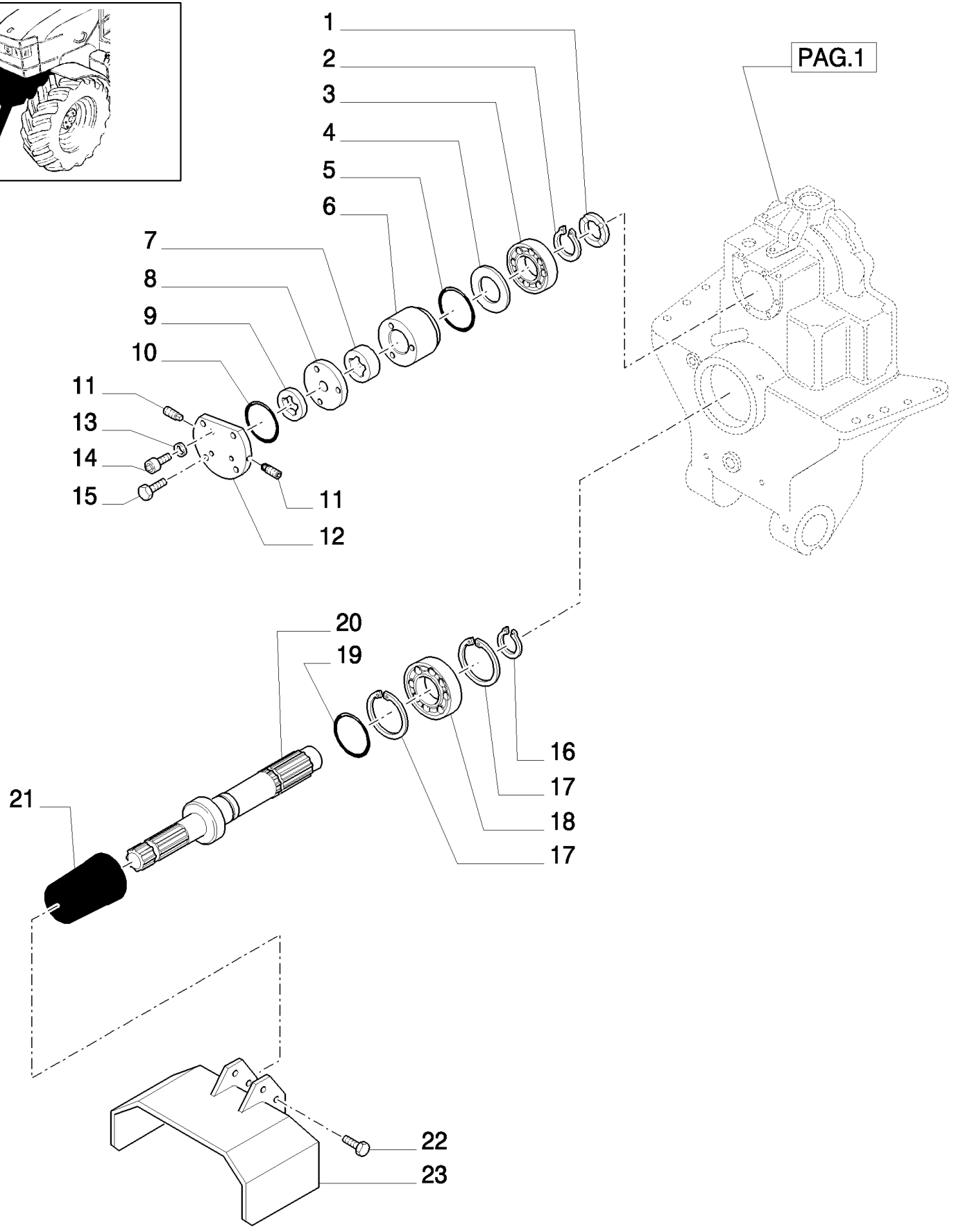
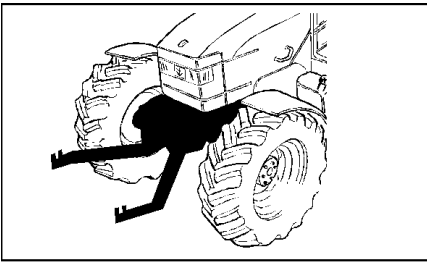


## MXM155 CASE IH TRACTOR (6/02-)

## 1.80.5(01) (VAR.780-781) LIFT AND FRONT PTO (6 -21 SPLINES) CCLS - POWER TAKE OFF BOX

сылка	Номер детали	Кол-во	Описание
1	82024068	1	HOUSING,
2	10269150	1	PLUG, M6 x 1
3	10269350	7	PLUG, M10 x 1.25
4	10269404	2	PLUG, M12 x 1.5
5	5165094	4	BUSHING,
6	10837710	2	DOWEL, M10 x 25,
7	10118811	2	PLUG, M22 x 1.5 x 14, CI5.8,
8	14438085	2	O-RING, 19.3MM ID x 2.4 Thk,
9	13407811	2	NIPPLE, LUBE,
10	82020153	8	SCREW, Self Locking, M20 x 2.5 x 58, 12.9
11	5180127	1	SEAL,
12	5171030	1	CONNECTOR, HYD.,
13	5180263	1	HOSE, FLEXIBLE, , BSN ACM258608
13	87364774	1	HOSE, FLEXIBLE, 3200 mm, ASN ACM258609
14	10403780	1	GROMMET,
15	5171038	1	COVER,
16	11197774	2	WASHER, SPRING, Belleville, M6.4,
17	14456981	2	O-RING, -111, CI 7, .424" ID x .103" Thk,
18	5167892	1	TUBE, HYD,
19	10902824	2	BOLT, Hex, M6 x 30, 8.8,
20	11193874	10	WASHER, SPRING, Belleville, M8.4,
21	16043824	10	BOLT, Hex, M8 x 30, 8.8, Full Thd,
22	82016971	1	CONNECTOR, HYD.,
23	82039341	2	CLAMP, HOSE,

D5236 Serial N.ACM258609

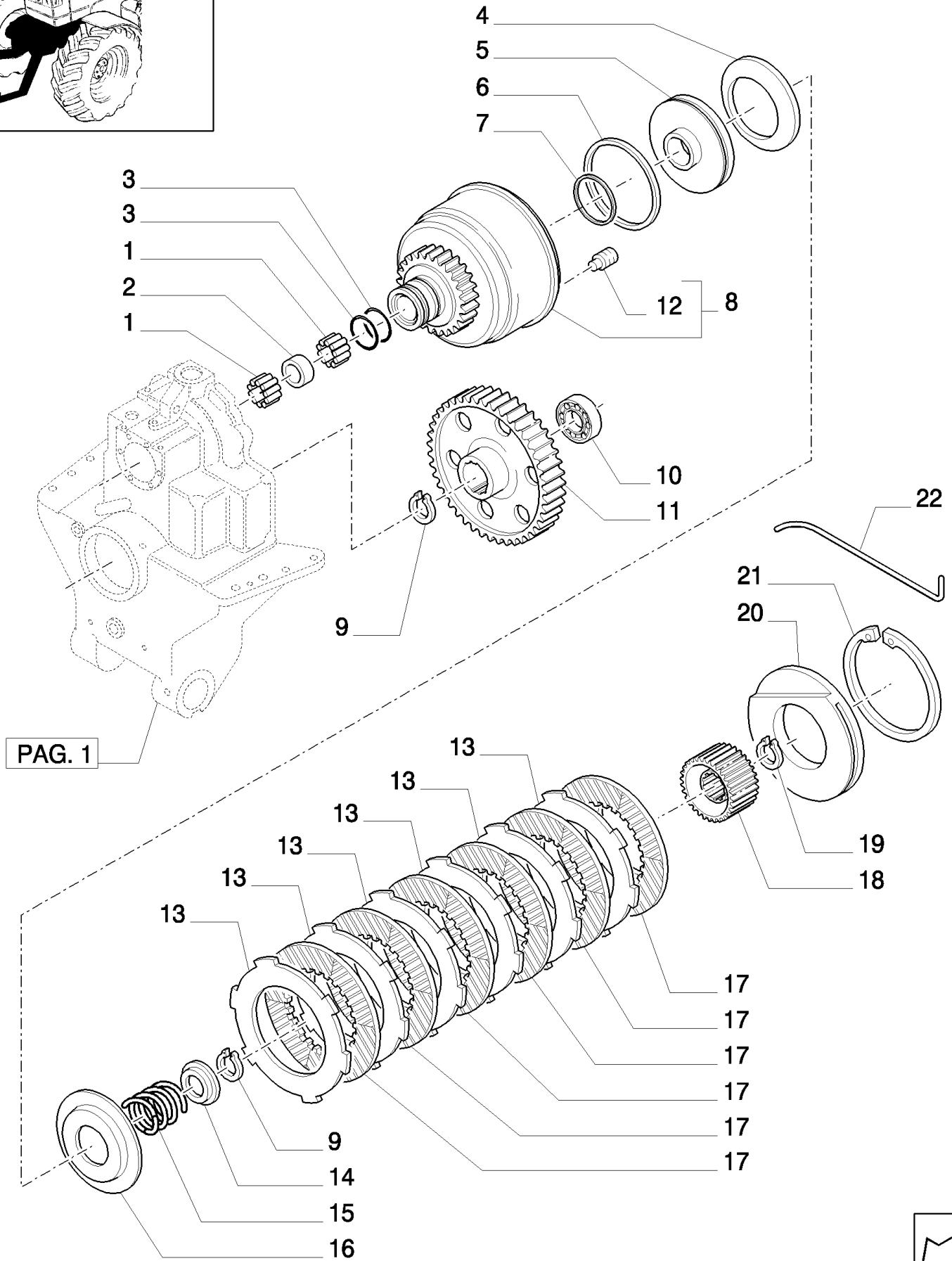
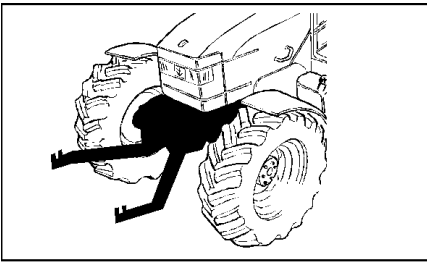




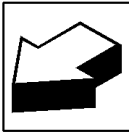
## MXM155 CASE IH TRACTOR (6/02- )

## 1.80.5(02) (VAR.780-781) LIFT AND FRONT PTO (WITH 6 -21 SPLINES) CCLS - POWER TAKE OFF SHAFT

сылка	Номер детали	Кол-во	Описание
1	5167802	1	PLATE, ANTI-WRAP,
2	11068376	1	RING, SNAP, M35, Ext,
3	20705250	1	BEARING, BALL, 35 x 72 x 17
4	5171029	1	WASHER, THRUST,
5	14460080	1	O-RING, -142, 90 Duro, 2.362" ID x .103" Thk,
6	5171041	1	SEAT/SLOT,
7	5167911	1	ROTOR,
8	5171043	1	PLATE,
9	5167910	1	ROTOR,
10	14460580	1	O-RING, -147, 90 Duro, 2.675" ID x .103" Thk,
11	10269150	2	PLUG, M6 x 1
12	5171049	1	FLANGE,
13	5162313	3	WASHER, SEALING,
14	14305524	3	SCREW, Hex Soc Hd, M6 x 30, 8.8,
15	10902524	4	BOLT, Hex, M6 x 22, 8.8, Full Thd,
16	11069376	1	RING, SNAP, M50, Ext,
17	11062476	2	RING, SNAP, M90, Int,
18	26794660	1	BEARING, BALL, 50 x 90 x 20
19	5112290	1	SEAL,
20	5173722	1	SHAFT, DRIVEN, 1000 RPM, 21 Teeth, (VAR.780)
20	5173721	1	SHAFT, DRIVEN, 540 RPM, 6 Teeth, (VAR.781)
21	5165104	1	SHIELD,
22	15970424	4	BOLT, Hex, M10 x 1.25 x 18, 8.8, Full Thd,
23	82037039	1	SHIELD,



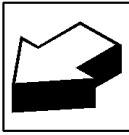
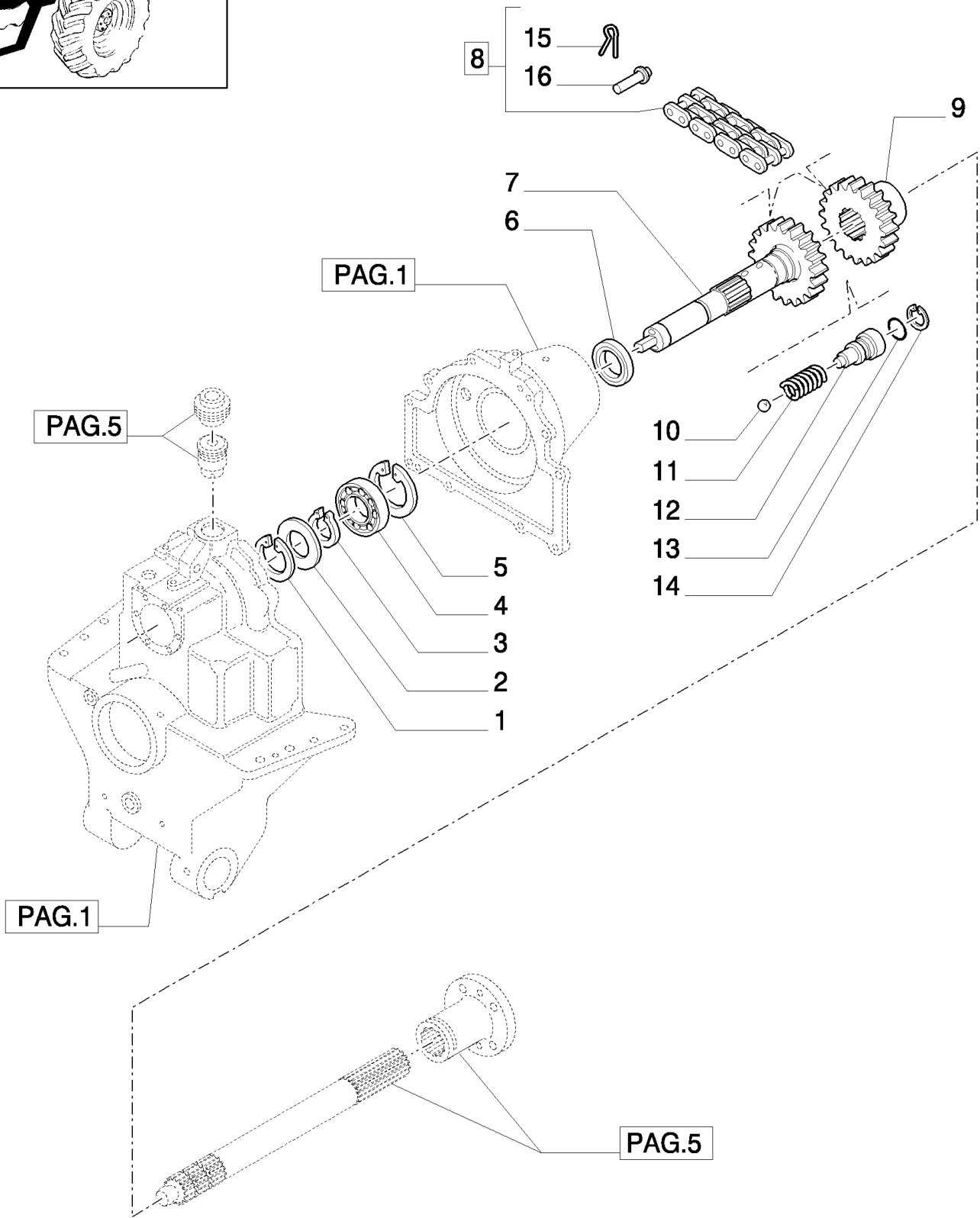
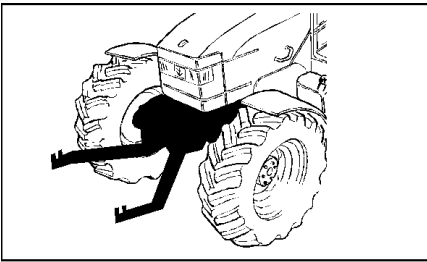
PAG. 1



## MXM155 CASE IH TRACTOR (6/02- )

## 1.80.5(03) (VAR.780-781) LIFT AND FRONT PTO (6 -21 SPLINES) CCLS - CLUTCH COVER PLATE AND RELEVANT PARTS

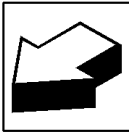
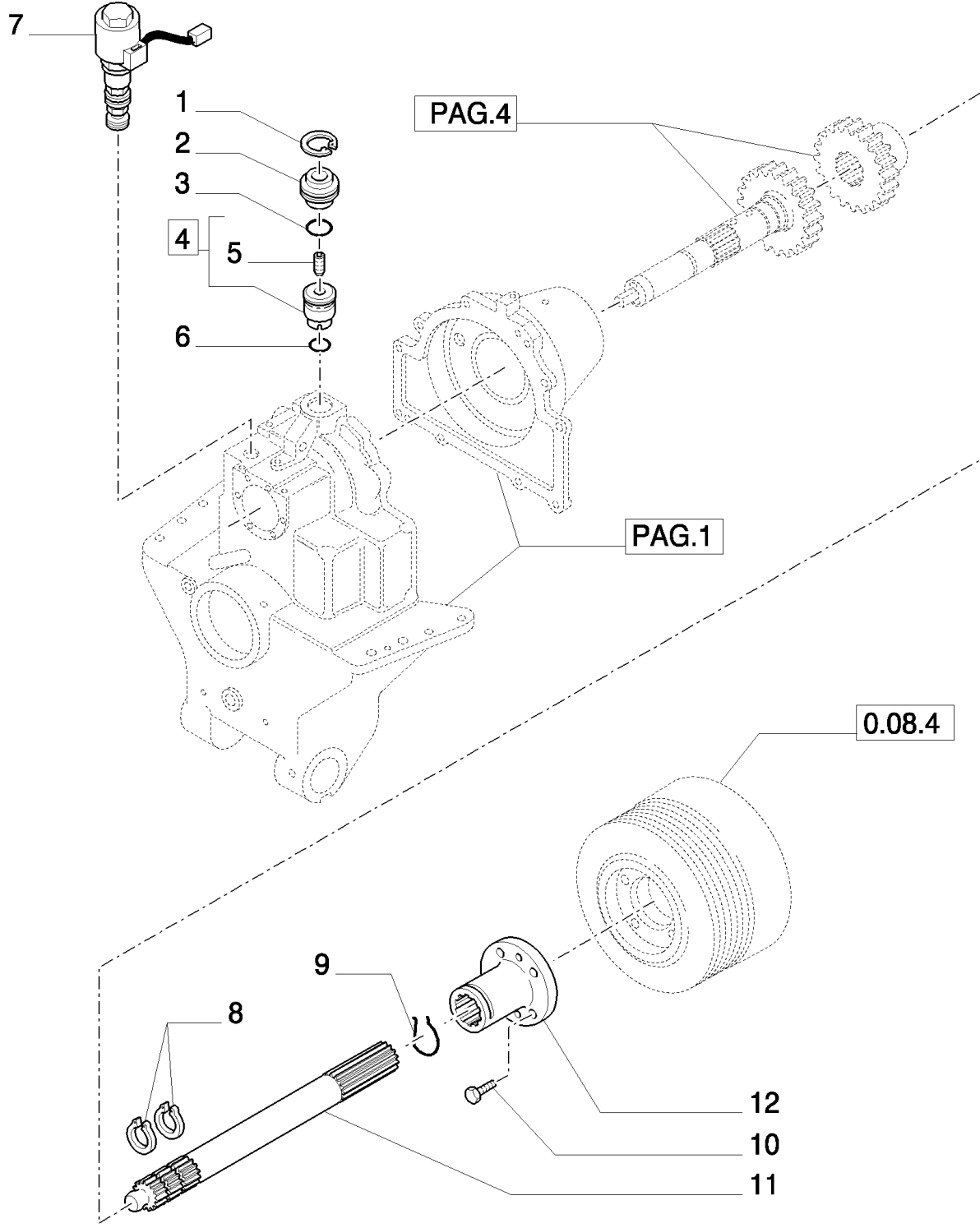
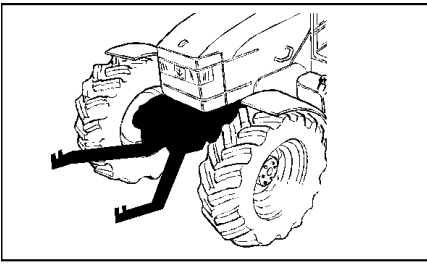
сылка	Номер детали	Кол-во	Описание
1	5119556	2	BEARING, ROLLER CAGE, 35 x 42 x 20
2	5171031	1	SPACER,
3	83911795	2	SEAL,
4	5171035	1	SPRING,
5	5179025	1	PISTON,
6	5143775	1	SEAL, 135 x 128.5 x 3.2
7	5137564	1	SLIPPER,
8	5185545	1	HOUSING,
9	11069276	4	RING, SNAP, M48, Ext,
10	20915780	1	BEARING, BALL, 40 x 80 x 18
11	5173737	1	GEAR, DRIVEN,
12	5171508	1	RESTRICTOR,
13	5163840	6	PLATE, DRIVE,
14	5171573	1	PLATE, Spring Reaction
15	5140906	1	SPRING,
16	5171048	1	PLATE,
17	5158919	6	PLATE, CLUTCH, DRIVING,
18	5171046	1	HUB,
19	11068876	1	RING, SNAP, M40, Ext,
20	5181016	1	DISC,
21	5179073	1	RING, LOCKING,
22	5179138	1	WIRE, RETAINING,



## MXM155 CASE IH TRACTOR (6/02- )

## 1.80.5(04) (VAR.780-781) LIFT AND FRONT PTO (WITH 6 -21 SPLINES) CCLS - DRIVE SHAFT AND RELEVANT PARTS

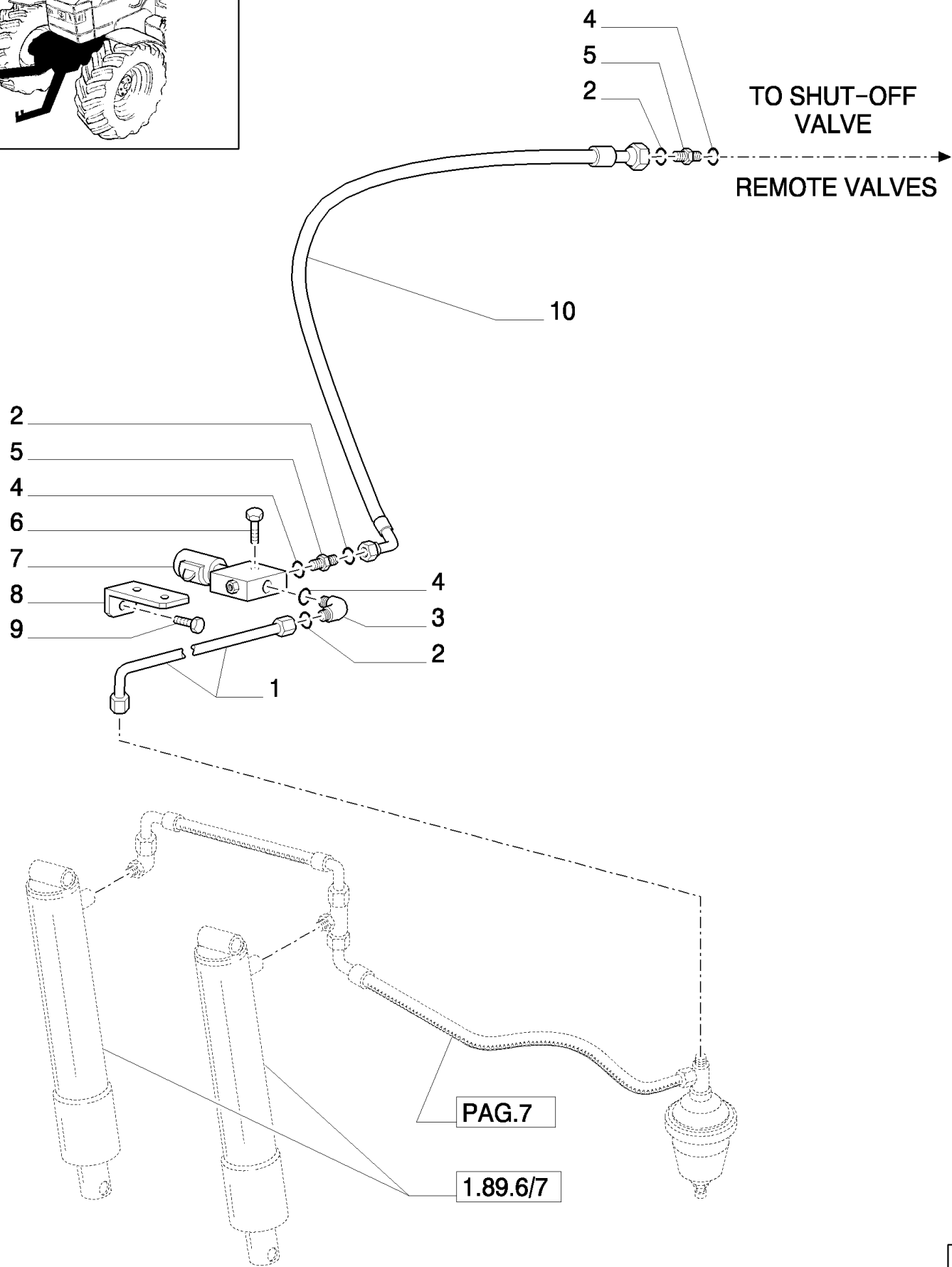
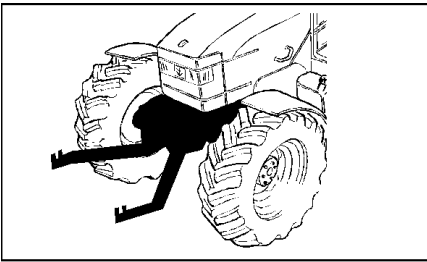
сылка	Номер детали	Кол-во	Описание
1	11061876	1	RING, SNAP, M78, Int,
2	5171034	1	PLATE,
3	11068876	1	RING, SNAP, M40, Ext,
4	28042480	1	BEARING, BALL, 40 x 68 x 15
5	11061376	1	RING, SNAP, M68, Int,
6	87342469	1	SEAL, 45 x 68 x 12
7	5171045	1	SHAFT, DRIVE,
8	5165823	1	CHAIN,
9	5171535	1	GEAR, DRIVING,
10	20063510	1	BALL, 9/16"
11	5171032	1	SPRING,
12	5171033	1	PLUG,
13	14456981	1	O-RING, -111, CI 7, .424" ID x .103" Thk,
14	11057876	1	RING, SNAP, M20, Int,
15	5179524	1	PIN, SPLIT (COTTER),
16	5179522	1	PIN,



## MXM155 CASE IH TRACTOR (6/02- )

## 1.80.5(05) (VAR.780-781) LIFT AND FRONT PTO (6 - 21 SPLINES) CCLS - TRANSMISSION SHAFT AND POWER TAKE OFF

сылка	Номер детали	Кол-во	Описание
1	11059476	1	RING, SNAP, M35, Int,
2	5167804	1	PLUG,
3	14458180	1	O-RING, -123, 70 Duro, 1.174" ID x .103" Thk,
4	5173978	1	PISTON,
5	5171509	1	SET SCREW, Hex Soc, M8 x 10, Cup Pt,
6	14463281	1	O-RING, -214, CI 7, .984" ID x .139" Thk,
7	82011026	1	VALVE, SOLENOID,
8	11068376	2	RING, SNAP, M35, Ext,
9	5171525	1	CIRCLIP,
10	15540424	4	BOLT, Hex, M12 x 1.25 x 30, 8.8, Full Thd,
11	82022727	1	SHAFT, DRIVE, 343 mm lg
11	82019065	1	SHAFT, DRIVE, 383 mm lg, W/4WD Axle W/Suspension
12	5186931	1	SLEEVE,

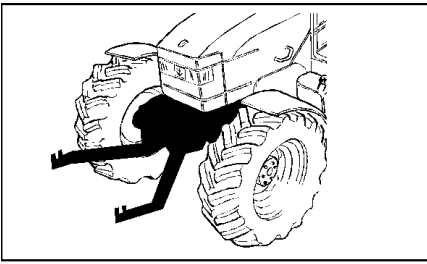




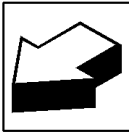
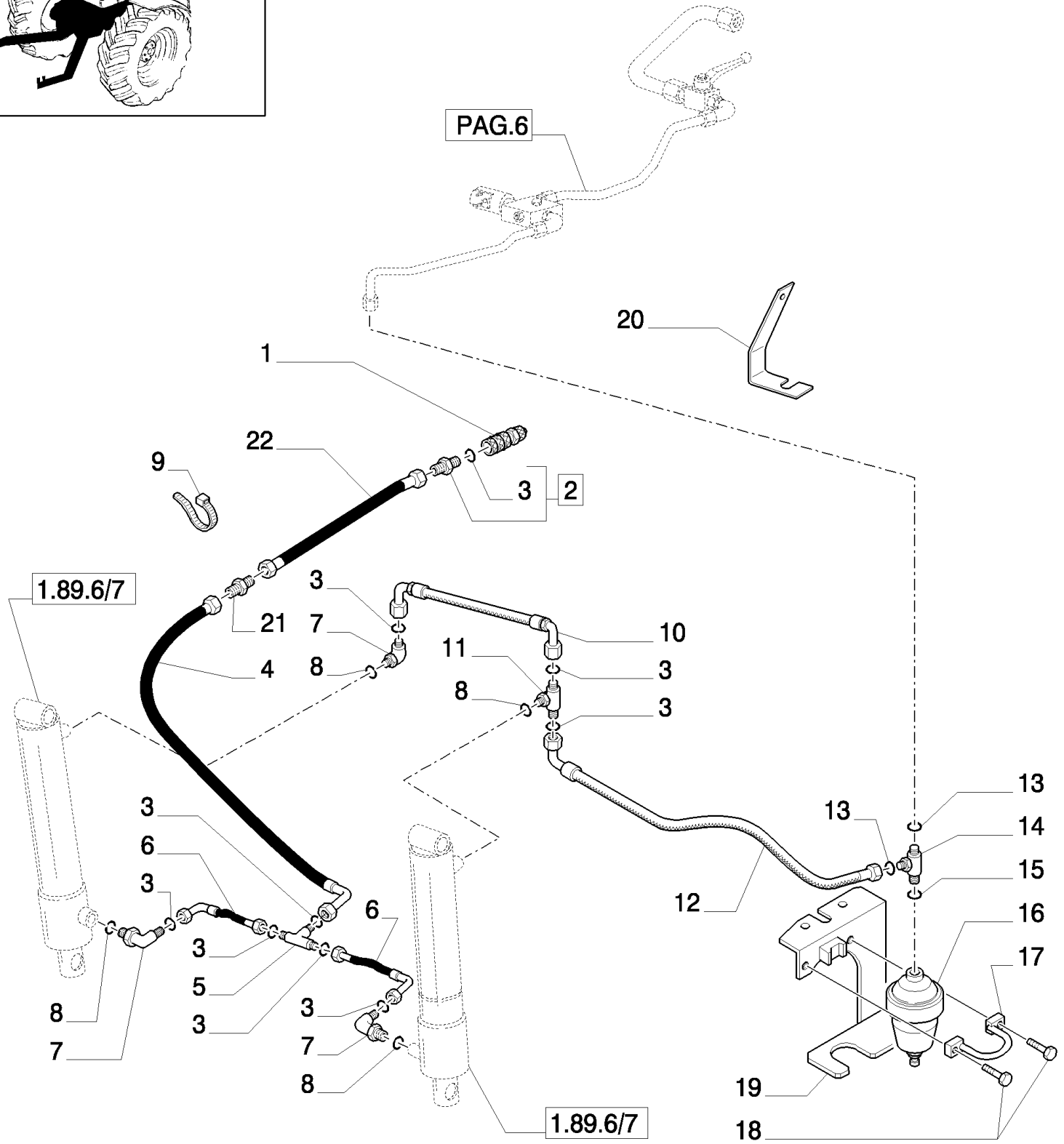
## MXM155 CASE IH TRACTOR (6/02- )

## 1.80.5(06) (VAR.780-781) LIFT AND FRONT PTO (6 - 21 SPLINES) CCLS - VALVE AND PIPES

сылка	Номер детали	Кол-во	Описание
1	82026039	1	TUBE, HYD, MXM120, MXM130, MXM140, MXM155
1	82028008	1	TUBE, HYD, MXM175, MXM190
2	5185512	3	O-RING, M15.6 ID x 1.78 Thk
3	5185563	1	ELBOW,
4	5135738	3	O-RING, -115, CI 9, .674" ID x .103" Thk,
5	5185524	2	CONNECTOR, HYD., 1"-14, G1/2"-14
6	10903424	2	BOLT, Hex, M6 x 45, 8.8,
7	5141295	1	VALVE, SOLENOID,
8	82004159	1	BRACKET, MXM120, MXM130, MXM140, MXM155
8	82027925	1	BRACKET, MXM175, MXM190
9	16207524	1	SCREW,
10	82027629	1	HOSE, FLEXIBLE,



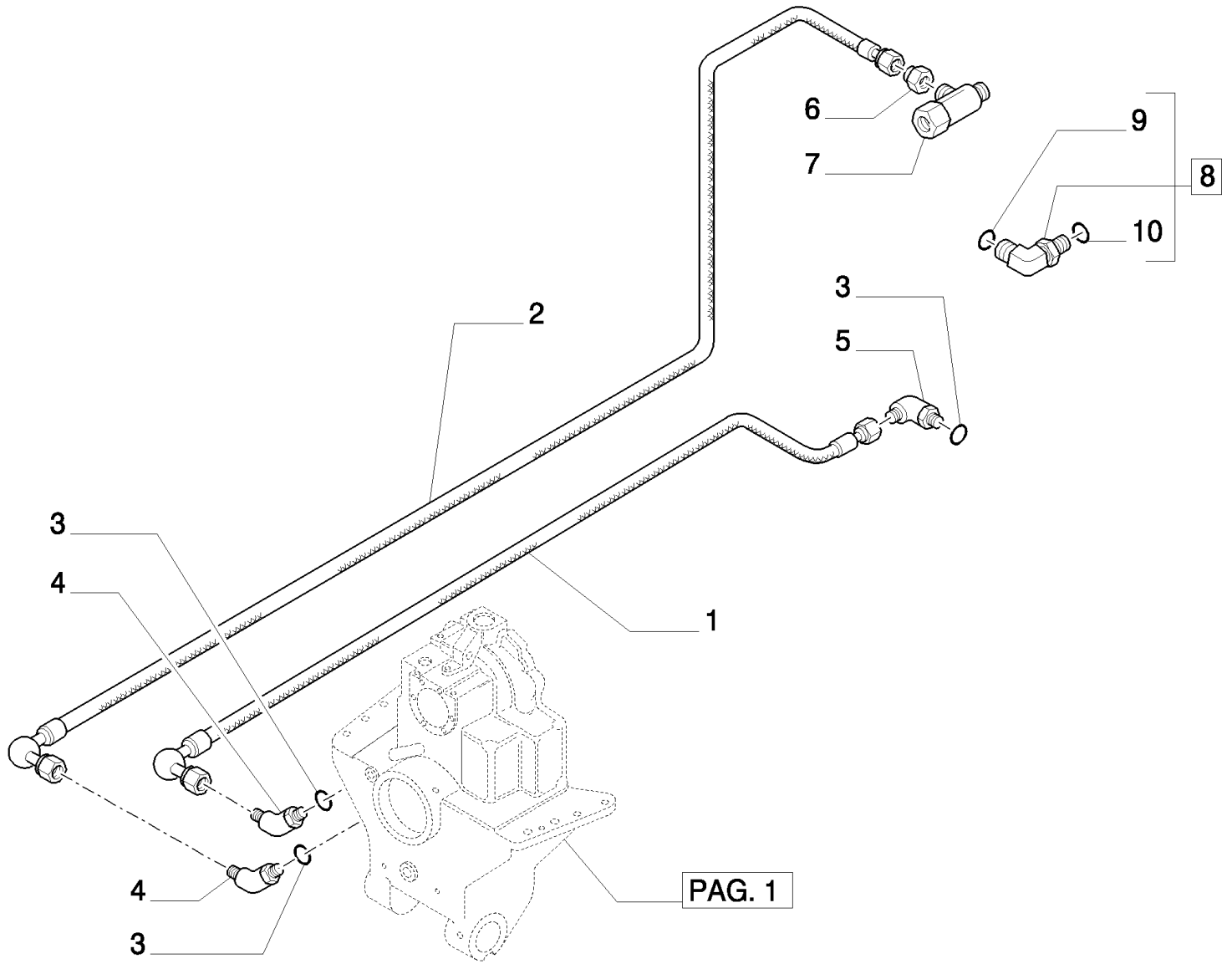
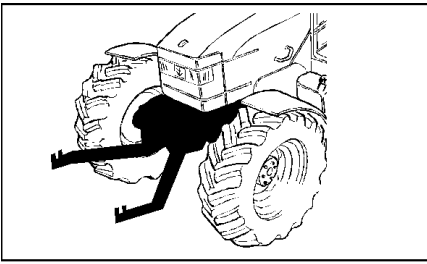
PAG.6



## MXM155 CASE IH TRACTOR (6/02- )

## 1.80.5(07) (VAR.780-781) LIFT AND FRONT PTO (6 - 21 SPLINES) CCLS - BATTERY AND PIPES

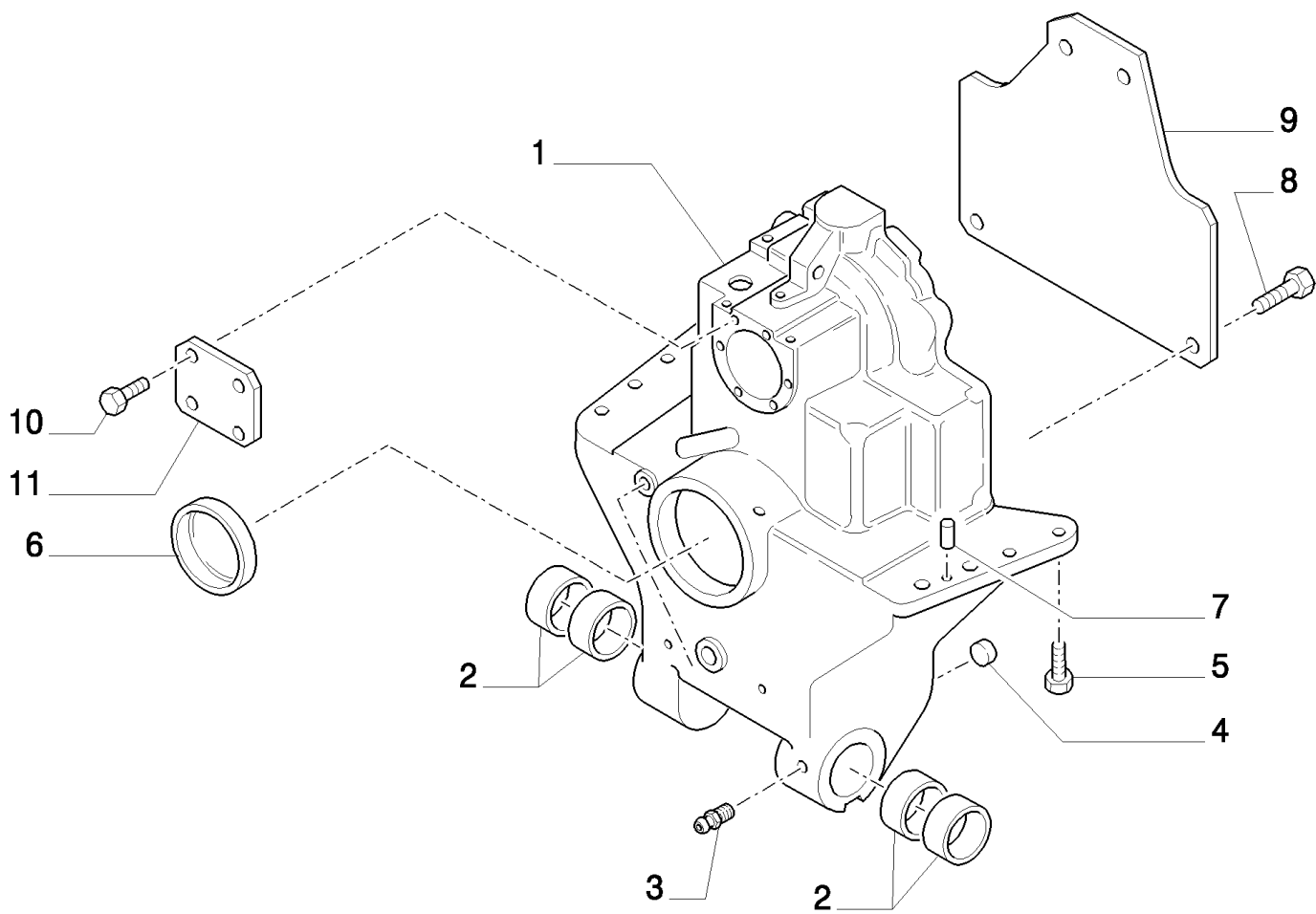
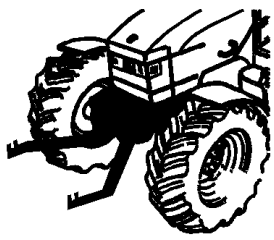
сылка	Номер детали	Кол-во	Описание
1	83972881	1	COUPLING,
2	82015960	1	CONNECTOR, HYD., Incl. 3, 11/16", 16
3	5185510	12	O-RING, M9.25 ID x 1.78 Thk
4	82027628	1	HOSE, FLEXIBLE, 11/16"-16, 1500 mm lg
5	82015685	1	TEE,
6	82015687	2	HOSE, FLEXIBLE, 11/16"-16, 240 mm lg
7	82015686	3	ELBOW, Incl. 3, 8, 11/16"-16, M16 x 1.5
8	14437885	7	O-RING, 13.3MM ID x 2.4 Thk,
9	263117	10	STRAP, CABLE, .14" x 11 1/2",
10	82033663	1	HOSE, FLEXIBLE,
11	82016863	1	CONNECTOR, HYD., Incl. 3, 8, M16 x 1.5, 11/16"-16
12	87302067	1	HOSE, FLEXIBLE, 1"-14, 11/16"-16, 1425 mm lg
13	5185512	3	O-RING, M15.6 ID x 1.78 Thk
14	5185569	1	TEE, Incl. 13, 15, G1/2"-14, 1"-14
15	5135738	1	O-RING, -115, CI 9, .674" ID x .103" Thk,
16	82007621	1	ACCUMULATOR,
17	82008081	1	CLIP, HOSE,
18	82880843	2	SCREW, M8 x 1.25 x 25
19	82019942	1	BRACKET,
20	82027305	1	BRACKET,
21	82018702	1	CONNECTOR, HYD., 11/16"-16
22	82027640	1	HOSE, FLEXIBLE, 11/16"-16, 2850 mm lg



## MXM155 CASE IH TRACTOR (6/02- )

## 1.80.5(08) (VAR.780-781) LIFT AND FRONT PTO (WITH 6 - 21 SPLINES) CCLS - PIPES

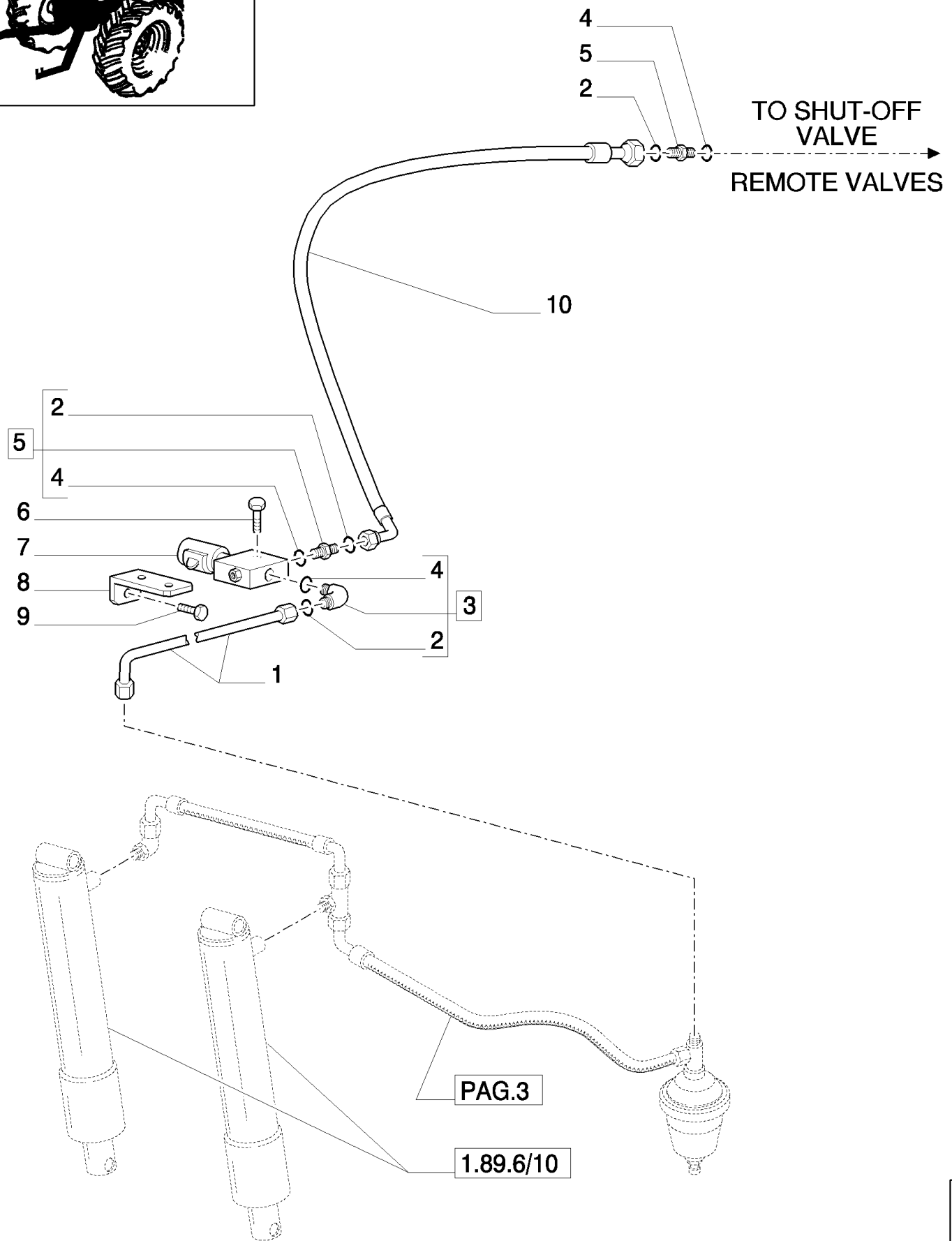
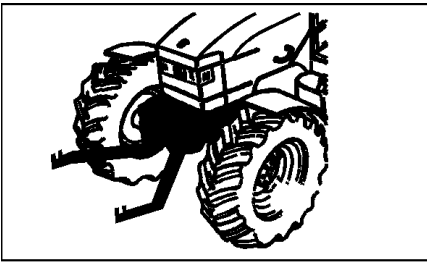
сылка	Номер детали	Кол-во	Описание
1	82030630	1	HOSE, FLEXIBLE, 2650 mm lg
2	82016665	1	HOSE, FLEXIBLE, 3000 mm lg, MXM120, MXM130, MXM140, MXM155
2	82030631	1	HOSE, FLEXIBLE, 2870 mm lg, MXM175, MXM190
3	14437885	3	O-RING, 13.3MM ID x 2.4 Thk,
4	5169357	2	ELBOW,
5	5158418	1	ELBOW,
6	82018568	1	CONNECTOR, HYD., MXM120, MXM130, MXM140, MXM155
7	5158234	1	TEE, MXM120, MXM130, MXM140, MXM155
8	5194068	1	ELBOW, MXM175, MXM190
9	5185511	1	O-RING, M12.42 ID x 1.78 Thk
10	14438085	1	O-RING, 19.3MM ID x 2.4 Thk,



MXM155 CASE IH TRACTOR (6/02- )

1.80.5/01(01) (VAR.789) FRONT HYDRAULIC LIFT FOR CCLS - FRONT LIFT BOX

сылка	Номер детали	Кол-во	Описание
1	82024066	1	HOUSING, Incl. 2, 3, 4, 6, 7, 8, 9, 10, 11, 12
2	5165094	4	BUSHING,
3	13407811	2	NIPPLE, LUBE,
4	14329101	2	PLUG, M30, Tapered,
5	82020153	8	SCREW, Self Locking, M20 x 2.5 x 58, 12.9
6	5177573	1	PLUG,
7	10837710	2	DOWEL, M10 x 25,
8	16043024	4	BOLT, Hex, M8 x 12, 8.8, Full Thd,
9	5177538	1	COVER,
10	10979424	4	BOLT, Hex, M6 x 10, 8.8, Full Thd,
11	5177554	1	COVER,

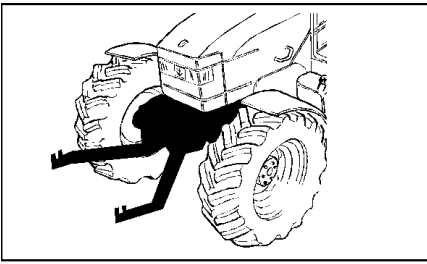




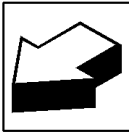
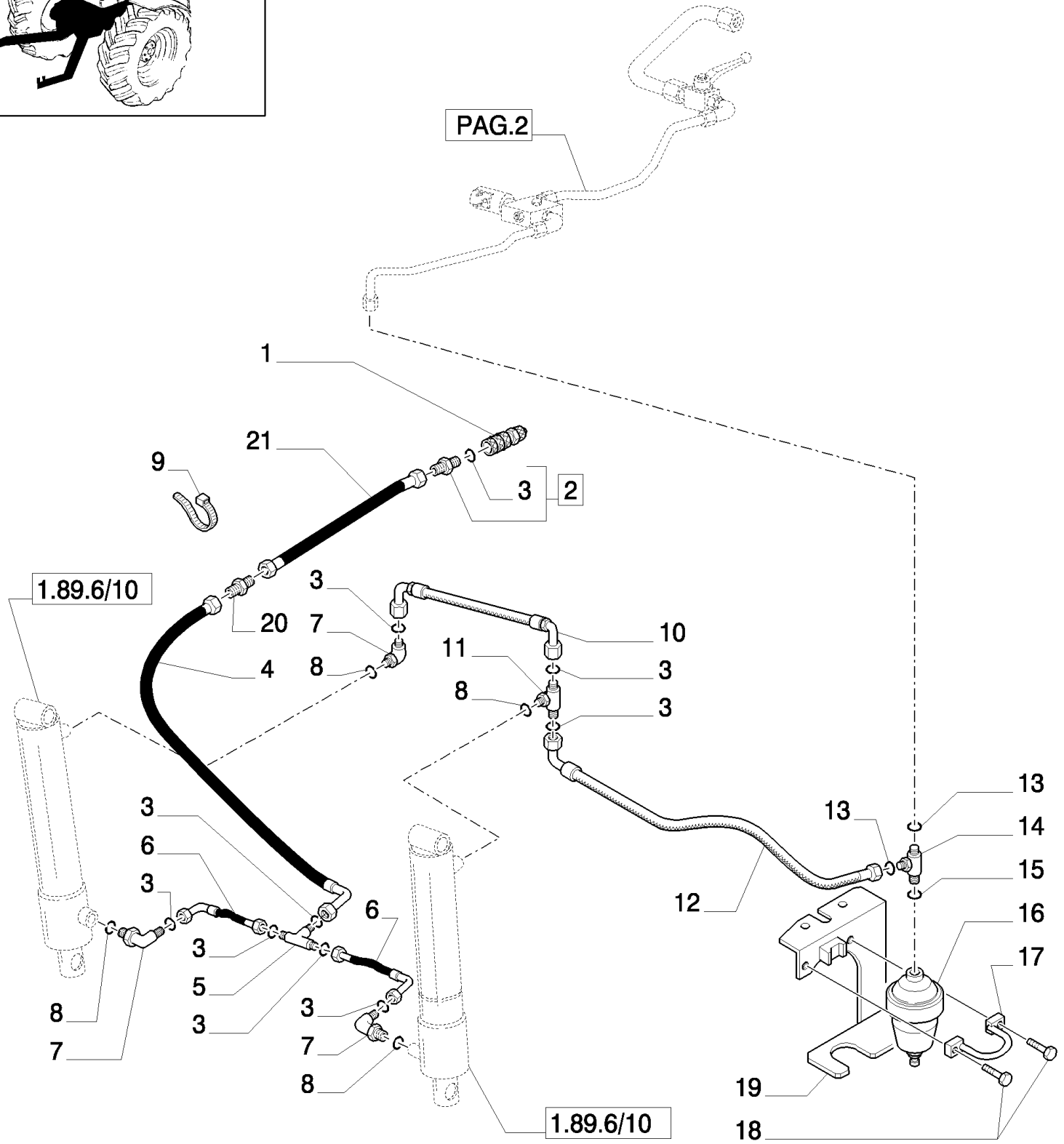
## MXM155 CASE IH TRACTOR (6/02- )

## 1.80.5/01(02) (VAR.789) FRONT HYDRAULIC LIFT FOR CCLS - VALVE AND PIPES

сылка	Номер детали	Кол-во	Описание
1	82026039	1	TUBE, HYD, 1"-14, MXM120, MXM130, MXM140, MXM155
1	82028008	1	TUBE, HYD, MXM175, MXM190
2	5185512	3	O-RING, M15.6 ID x 1.78 Thk
3	5185563	1	ELBOW,
4	5135738	3	O-RING, -115, CI 9, .674" ID x .103" Thk,
5	5185524	2	CONNECTOR, HYD., 1"-14, G1/2"-14
6	10903424	2	BOLT, Hex, M6 x 45, 8.8,
7	5141295	1	VALVE, SOLENOID,
8	82004159	1	BRACKET, MXM120, MXM130, MXM140, MXM155
8	82027925	1	BRACKET, MXM175, MXM190
9	16207524	1	SCREW,
10	82027629	1	HOSE, FLEXIBLE,



PAG.2

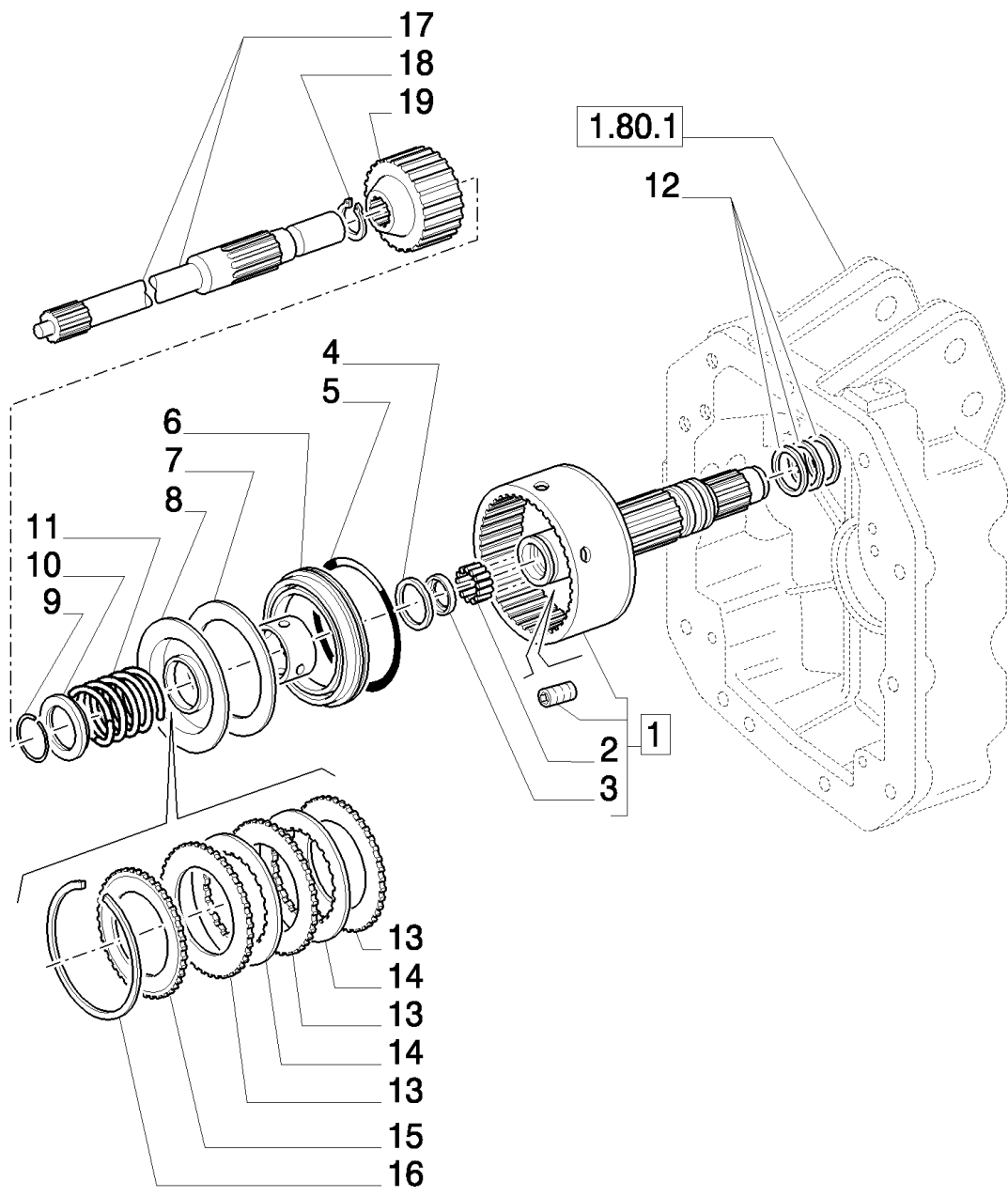
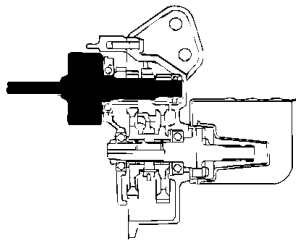


## MXM155 CASE IH TRACTOR (6/02- )

## 1.80.5/01(03) (VAR.789) FRONT HYDRAULIC LIFT FOR CCLS - ACCUMULATOR AND PIPES

сылка	Номер детали	Кол-во	Описание
1	83972881	1	COUPLING,
2	82015960	1	CONNECTOR, HYD.,
3	5185510	12	O-RING, M9.25 ID x 1.78 Thk
4	82027628	1	HOSE, FLEXIBLE,
5	82015685	1	TEE,
6	82015687	2	HOSE, FLEXIBLE,
7	82015686	3	ELBOW,
8	14437885	7	O-RING, 13.3MM ID x 2.4 Thk,
9	263117	10	STRAP, CABLE, .14" x 11 1/2",
10	82033663	1	HOSE, FLEXIBLE,
11	82016863	1	CONNECTOR, HYD.,
12	87302067	1	HOSE, FLEXIBLE,
13	5185512	3	O-RING, M15.6 ID x 1.78 Thk
14	5185569	1	TEE,
15	5135738	1	O-RING, -115, CI 9, .674" ID x .103" Thk,
16	82007621	1	ACCUMULATOR,
17	82008081	1	CLIP, HOSE,
18	82880843	2	SCREW, M8 x 1.25 x 25
19	82019942	1	BRACKET,
20	82018702	1	CONNECTOR, HYD., 11/16"-16
21	82027640	1	HOSE, FLEXIBLE,

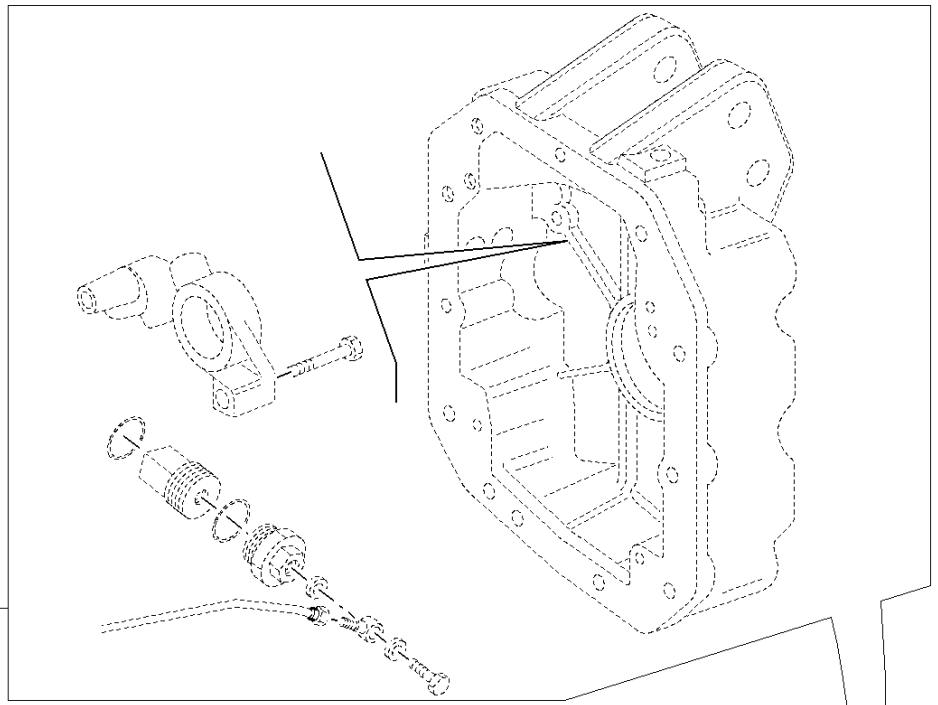
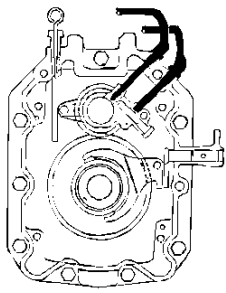
1.80.7(01) PTO, CLUTCH



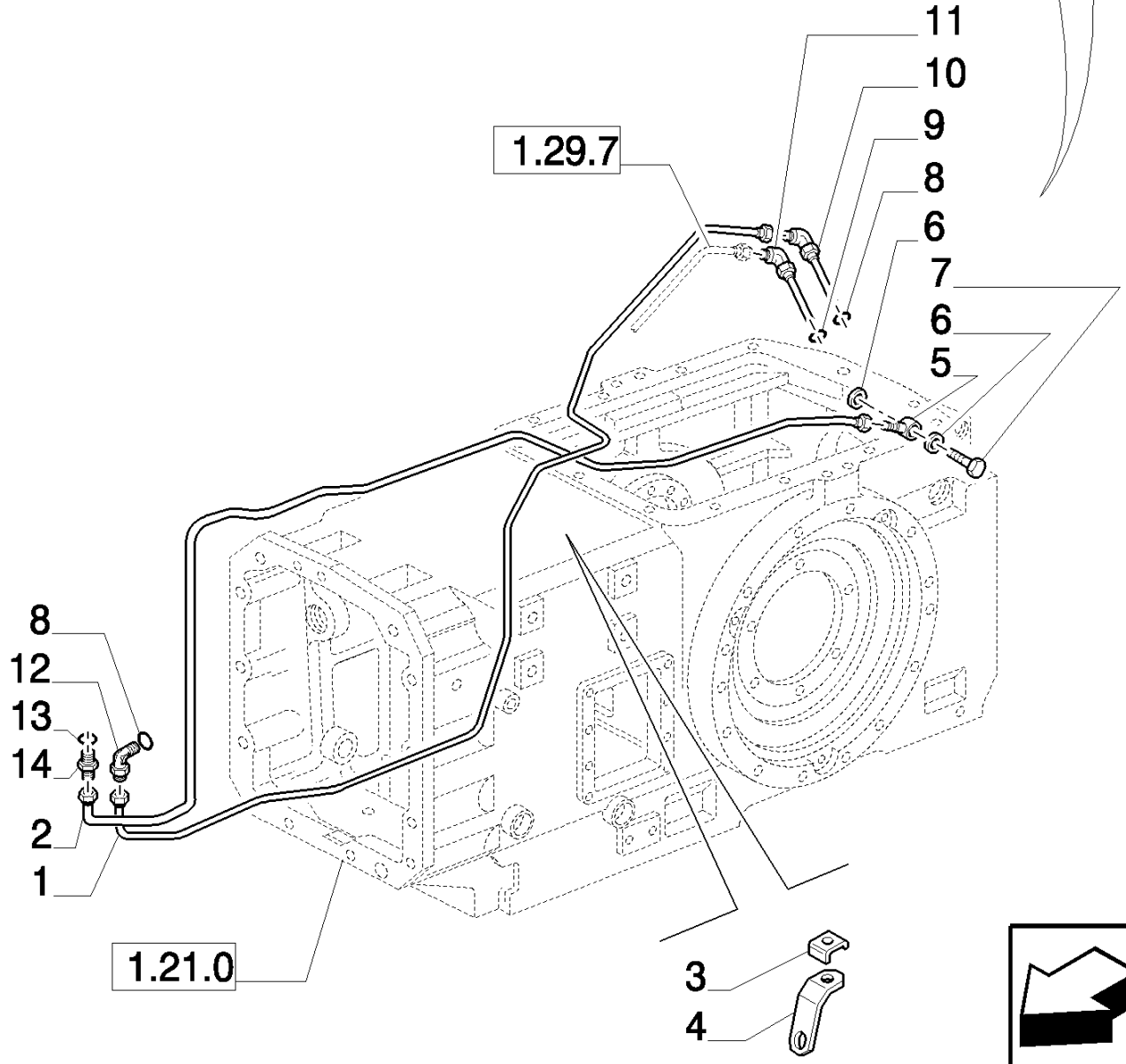
## MXM155 CASE IH TRACTOR (6/02- )

## 1.80.7(01) PTO, CLUTCH

сылка	Номер детали	Кол-во	Описание
1	5171667	1	SHAFT,
2	5138952	1	BEARING, ROLLER, 25 x 32 x 26
3	5150868	1	DISC,
4	5152665	1	SEAL, 42.6 x 50 x 3.2
5	5143775	1	SEAL, 135 x 128.5 x 3.2
6	5171656	1	PISTON,
7	5171580	1	SPRING-DISC,
8	5152667	1	CAP, WASHER,
9	13399376	1	RING, SNAP, M50, Int,
10	5152675	1	RETAINER CUP,
11	5171681	1	SPRING,
12	5175983	3	SEALRING,
13	5143721	6	PLATE, CLUTCH, DRIVING,
14	5158919	6	PLATE, CLUTCH, DRIVING,
15	5178984	1	PLATE, CLUTCH, DRIVING,
16	5162251	1	RING, LOCKING,
17	5152681	1	SHAFT,
18	11068076	1	RING, SNAP, M32, Ext,
19	5171698	1	HUB,



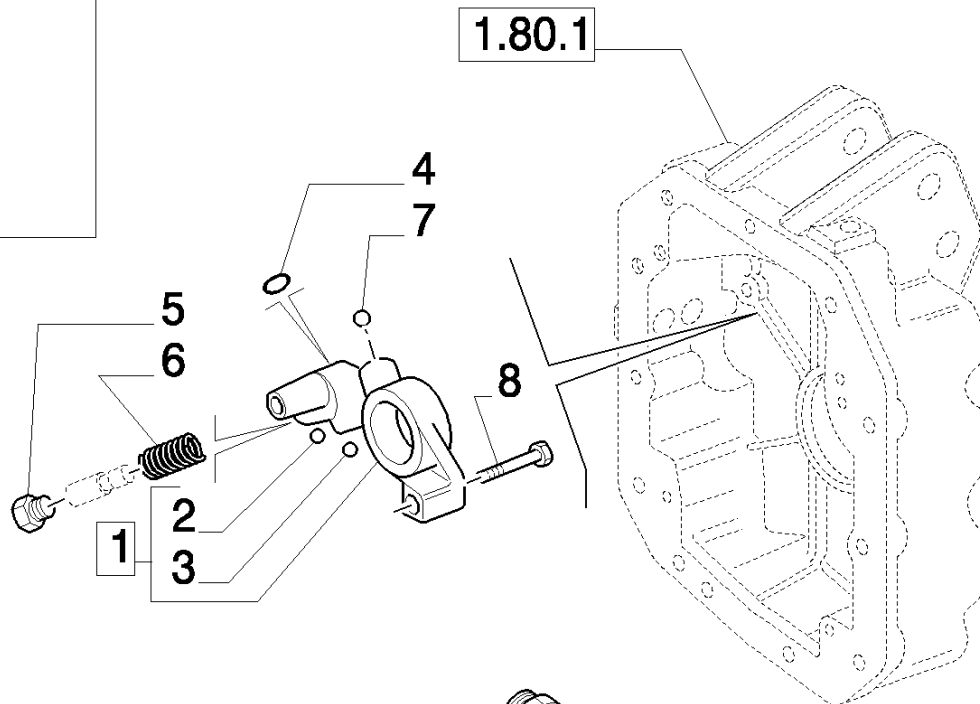
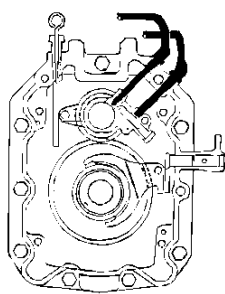
PAG.3



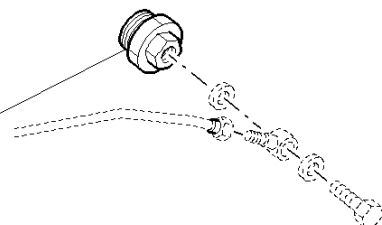
## MXM155 CASE IH TRACTOR (6/02- )

## 1.80.7(02) PTO, CLUTCH

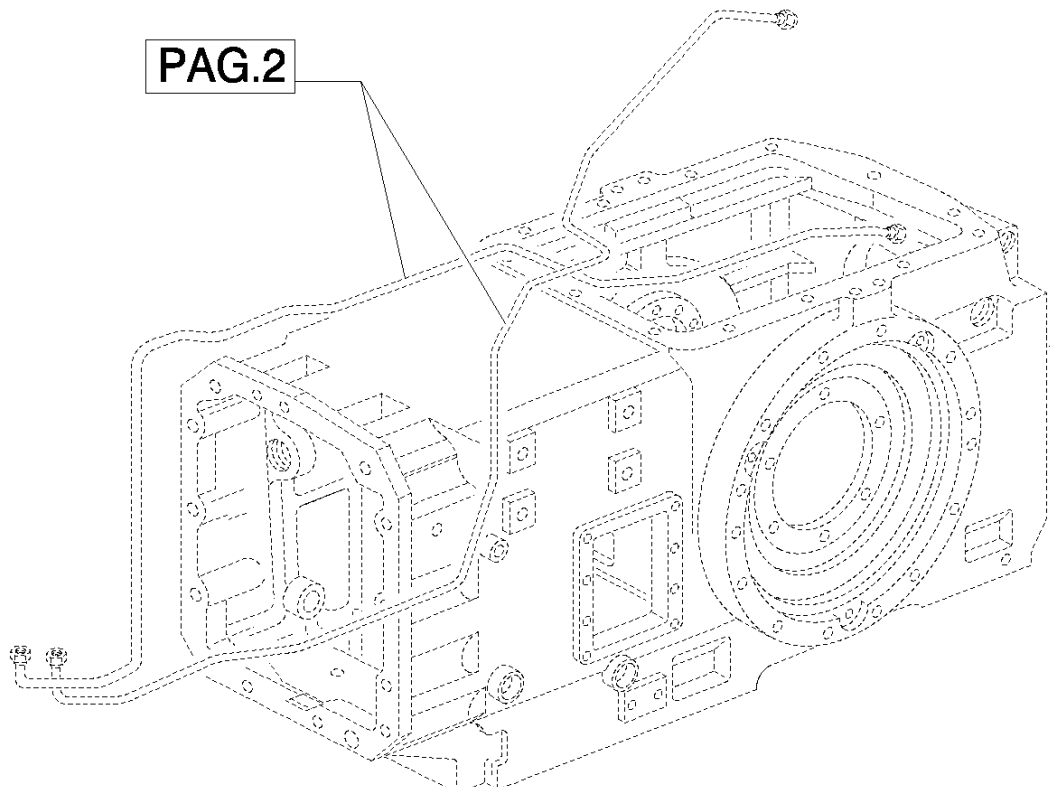
сылка	Номер детали	Кол-во	Описание
1	5179012	1	TUBE, HYD,
2	5169064	1	TUBE, HYD,
3	5156388	1	BRACKET,
4	5170240	1	BRACKET,
5	5155643	1	RING,
6	10261060	2	WASHER, COPPER, M12.2 x 16 x 1.5,
7	10185011	1	BOLT, BANJO, M12 x 1.25 x 23,
8	14437885	2	O-RING, 13.3MM ID x 2.4 Thk,
9	14437985	1	O-RING, 15.3MM ID x 2.4 Thk,
10	82006815	1	ELBOW, D = 10 mm
11	5165336	1	ELBOW, D = 12 mm
12	5158418	1	ELBOW,
13	14437685	1	O-RING, 9.3MM ID x 2.4 Thk,
14	5158810	1	CONNECTOR, HYD.,



PAG.4



PAG.2



1.21.0

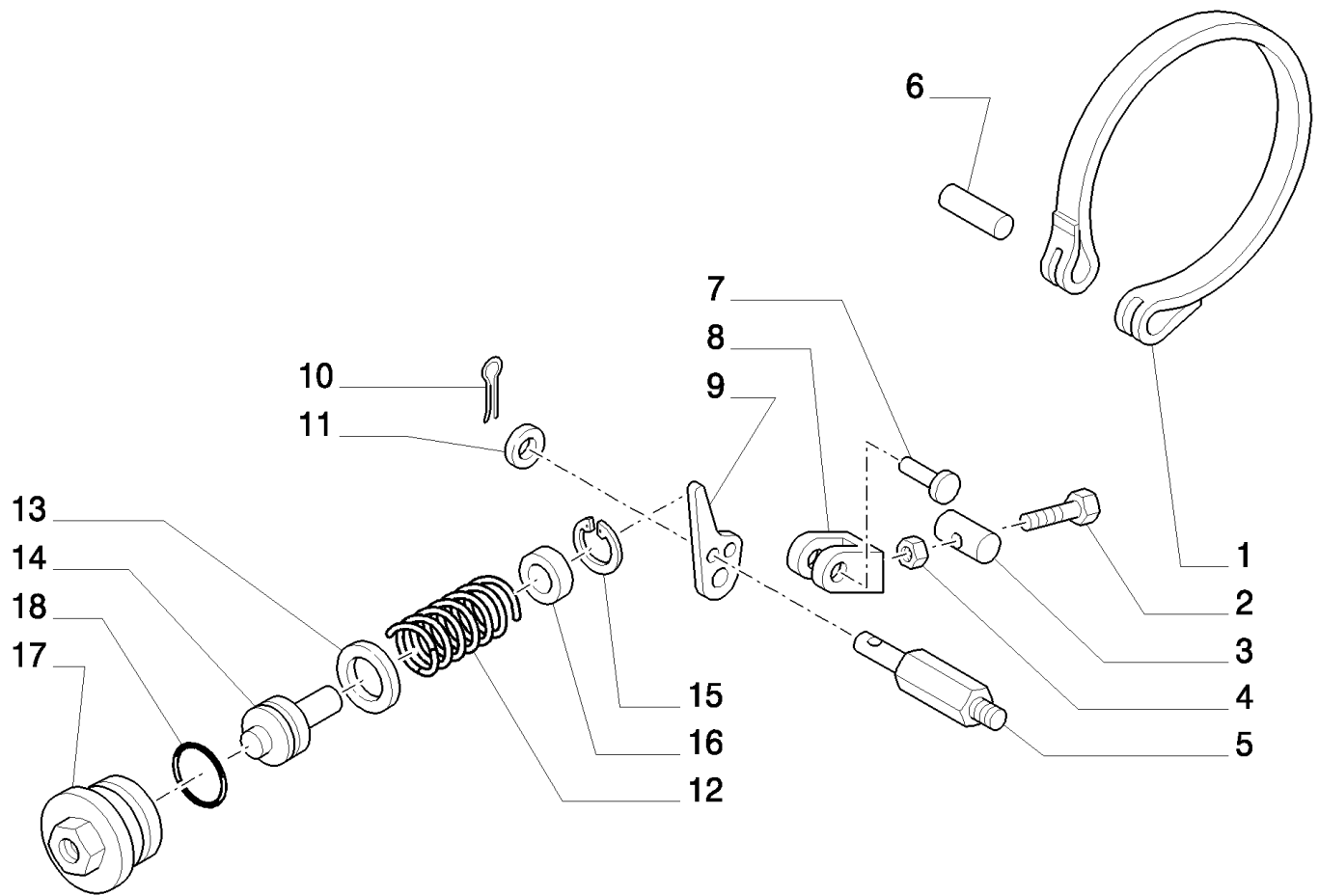
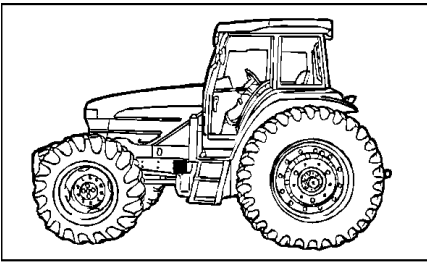




## MXM155 CASE IH TRACTOR (6/02- )

## 1.80.7(03) PTO, CLUTCH

сылка	Номер детали	Кол-во	Описание
1	5186541	1	MANIFOLD,
2	20063430	1	BALL, D = 3/16"
3	20063470	1	BALL, D = 7.938
4	14453081	1	O-RING, -013, CI 7, .426" ID x .070" Thk, (M10.82 ID x 1.78 Thk)
5	5180551	1	PLUG,
6	5157120	1	SPRING,
7	20419310	1	BALL, D = 7/32"
8	15971521	2	BOLT, Hex, M10 x 1.25 x 85, 8.8,

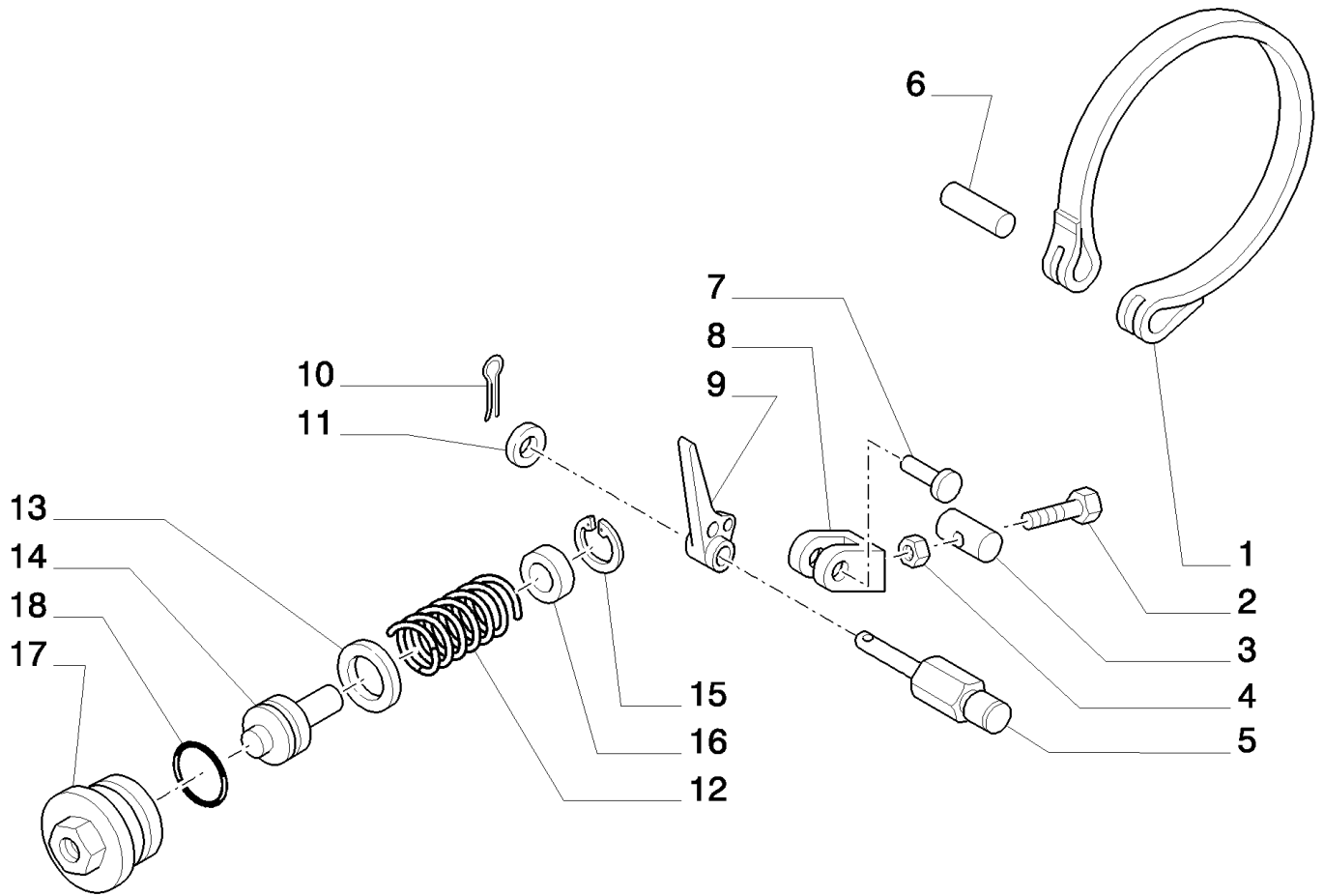
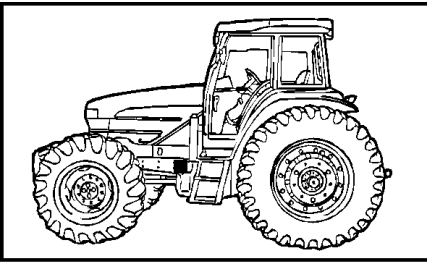


## MXM155 CASE IH TRACTOR (6/02- )

## 1.80.7(04) PTO, CLUTCH - C5526

сылка	Номер детали	Кол-во	Описание
1	83956644	1	BAND,
2	83905941	1	SCREW, Fillister Hd, w/Washer, #10-32 x 1"
3	81819797	1	ANCHOR,
4	89635646	1	NUT, LOCK,
5	5186433	1	PIN,
6	81820593	1	PIN,
7	80280651	1	PIN, Dowel, 5/16" x 5/8"
8	83956645	1	CLEVIS,
9	81819791	1	ARM,
10	80280236	1	PIN, SPLIT (COTTER),
11	5189401	1	SPACER,
12	81866141	1	SPRING,
13	89827059	1	O-RING, .551" ID x .070" Thk
14	83999379	1	PISTON,
15	81871263	1	RING, SNAP, Int, .750"
16	83999364	1	GUIDE,
17	5186401	1	PLUG,
18	14458281	1	O-RING, -124, CI 7, 1.237" ID x .103" Thk,

C5526 Before Date 27 september 2006

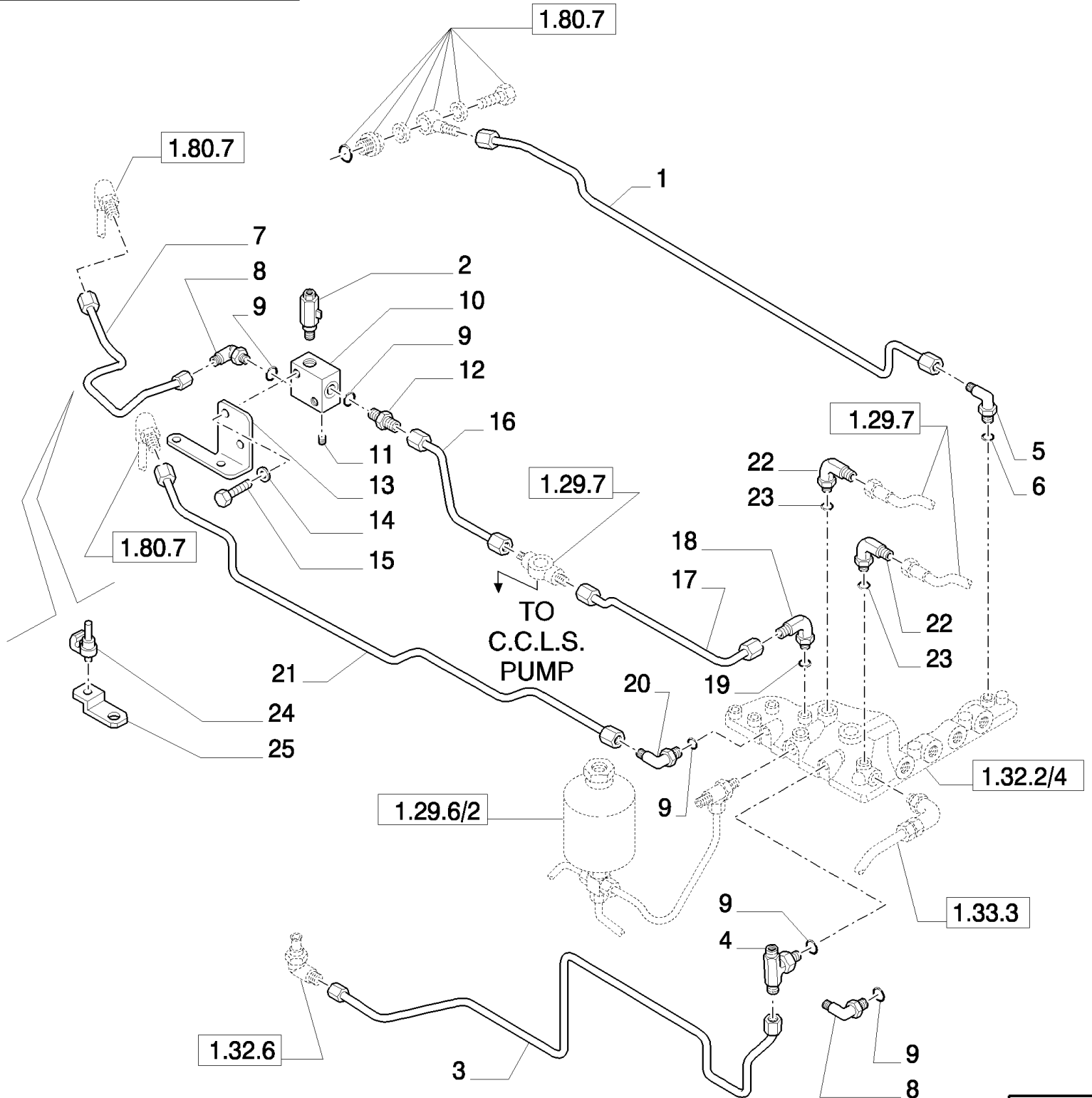
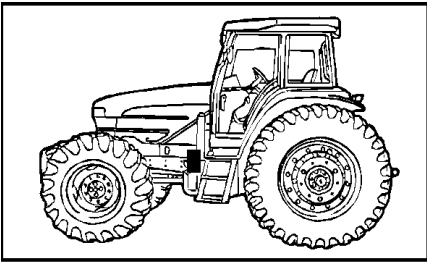


MXM155 CASE IH TRACTOR (6/02- )

1.80.7(04A) PTO, CLUTCH - D5526

сылка	Номер детали	Кол-во	Описание
1	83956644	1	BAND,
2	87016469	1	SCREW, Hex Soc Hd, M5 x 25, 8.8,
3	87518195	1	PIN,
4	13831801	1	NUT,
5	87518147	1	PIN,
6	10335010	1	DOWEL, M5 x 22, 3/16 x 5/8"
7	80280651	1	PIN, Dowel, 5/16" x 5/8"
8	87518169	1	CLEVIS COUPLING,
9	87528159	1	LEVER,
10	80280236	1	PIN, SPLIT (COTTER),
11	5189401	1	SPACER,
12	81866141	1	SPRING,
13	89827059	1	O-RING, .551" ID x .070" Thk
14	83999379	1	PISTON,
15	81871263	1	RING, SNAP, Int, .750"
16	83999364	1	GUIDE,
17	5186401	1	PLUG,
18	14458281	1	O-RING, -124, CI 7, 1.237" ID x .103" Thk,

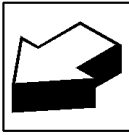
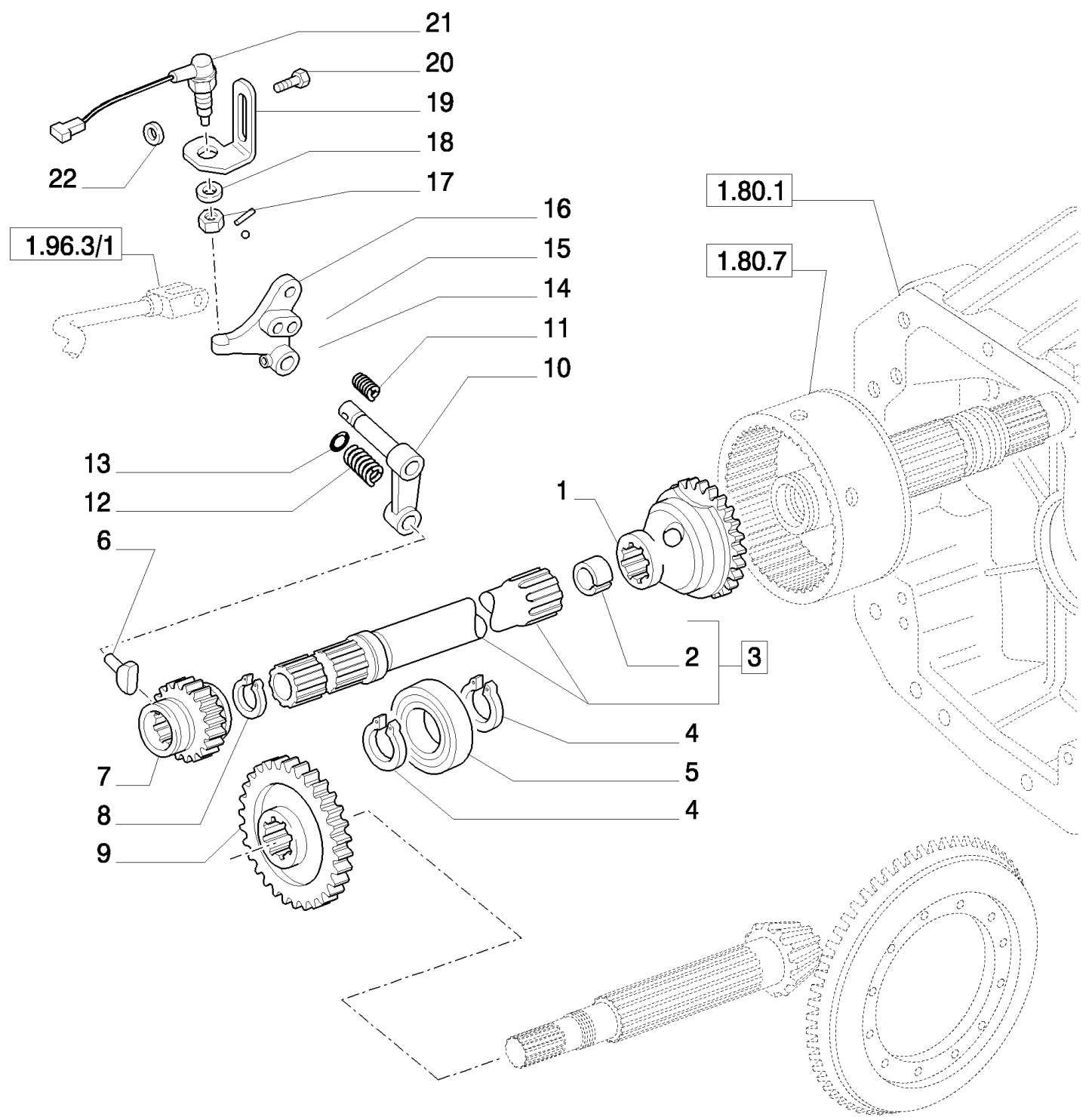
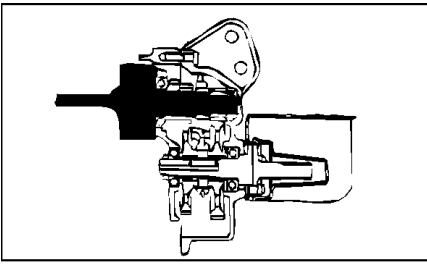
D5526 After Date 27 september 2006



## MXM155 CASE IH TRACTOR (6/02- )

1.80.7/02 (VAR.281) FULL POWER-SHIFT TRANS. 18X6 (40 KPH-4WD) AND 17X6 (30 KPH) - PTO, CLUTCH

сылка	Номер детали	Кол-во	Описание
1	82026061	1	TUBE, HYD,
2	5185320	1	VALVE, SOLENOID,
3	82020564	2	TUBE, HYD,
4	5169358	1	TEE, 4WD
5	5166932	1	ELBOW,
6	14437685	1	O-RING, 9.3MM ID x 2.4 Thk,
7	5189767	1	TUBE, HYD,
8	5154710	2	ELBOW,
9	14437885	5	O-RING, 13.3MM ID x 2.4 Thk,
10	5185351	1	SUPPORT,
11	14326101	1	PLUG, M8 x 1.25
12	5154713	1	CONNECTOR, HYD.,
13	5185342	1	BRACKET,
14	11193874	2	WASHER, SPRING, Belleville, M8.4,
15	16043424	2	SCREW, Hex, M8 x 20, 8.8, Full Thd,
16	5184847	1	TUBE, HYD,
17	5187147	1	TUBE, HYD,
18	5157557	1	ELBOW,
19	14437985	1	O-RING, 15.3MM ID x 2.4 Thk,
20	5158418	1	ELBOW,
21	5179018	1	TUBE, HYD,
22	5158364	2	ELBOW,
23	14438085	1	O-RING, 19.3MM ID x 2.4 Thk,
24	14571980	1	CLIP, SPRING,
25	5187141	1	BRACKET,

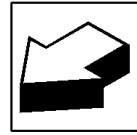
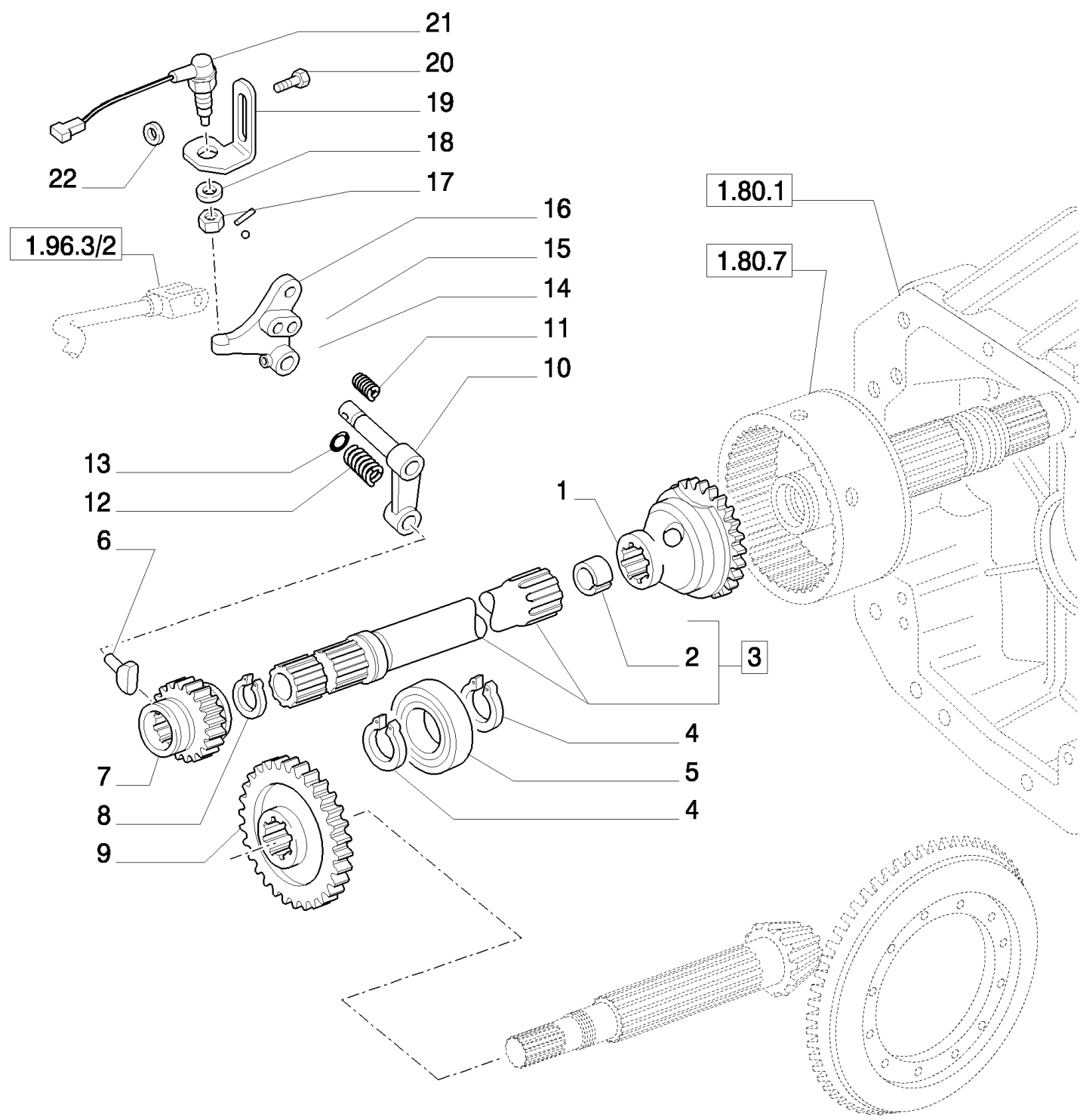
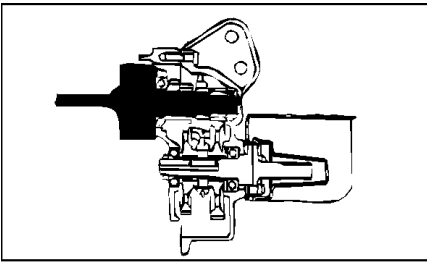




## MXM155 CASE IH TRACTOR (6/02- )

## 1.80.7/03 (VAR.815) SYNCHRO. POWER TAKE OFF FOR TERRALOCK

сылка	Номер детали	Кол-во	Описание
1	5165074	1	HUB,
2	5107725	1	BUSHING,
3	5166835	1	SHAFT, Assy
4	11062476	2	RING, SNAP, M90, Int,
5	26794660	1	BEARING, BALL, 50 x 90 x 20
6	4984096	1	PAD,
7	5153151	1	GEAR,
8	11069376	1	RING, SNAP, M50, Ext,
9	5164890	1	GEAR, DRIVING,
10	5153153	1	LEVER,
11	4994342	1	SPRING,
12	5139088	1	SPRING,
13	14456981	1	O-RING, -111, CI 7, .424" ID x .103" Thk,
14	20063390	1	BALL,
15	13942670	1	PIN, ROLL, M6 x 32, Coiled,
16	5155339	1	LEVER,
17	10718114	1	NUT, LOCK, M16 x 1, CI 04,
18	11194274	1	WASHER, SPRING, Belleville, M17,
19	5155349	1	BRACKET,
20	10902024	2	BOLT, Hex, M6 x 12, 8.8, Full Thd,
21	82014329	1	SWITCH, Ground Drive PTO Interlock
22	11194674	2	WASHER, SPRING, Belleville, M6.4,

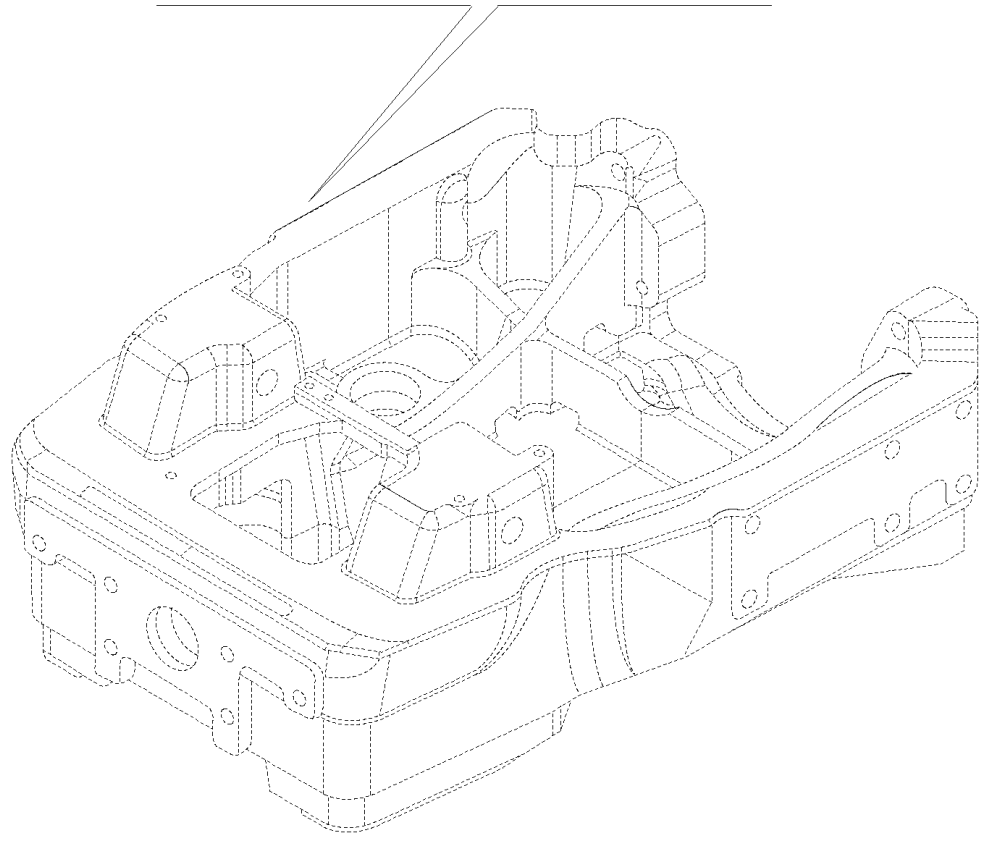
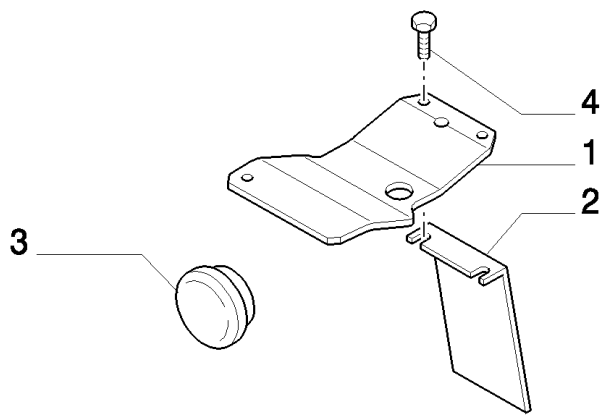
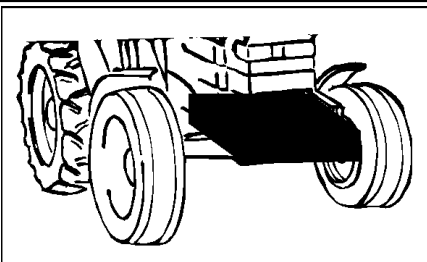


## MXM155 CASE IH TRACTOR (6/02- )

## 1.80.7/04 (VAR.817) SYNCHRO. POWER TAKE OFF FOR FULL POWER SHIFT

сылка	Номер детали	Кол-во	Описание
1	5165074	1	HUB,
2	5107725	1	BUSHING,
3	5166835	1	SHAFT, Assy
4	11062476	2	RING, SNAP, M90, Int,
5	26794660	1	BEARING, BALL, 50 x 90 x 20
6	4984096	1	PAD,
7	5153151	1	GEAR,
8	11069376	1	RING, SNAP, M50, Ext,
9	5164890	1	GEAR, DRIVING,
10	5153153	1	LEVER,
11	4994342	1	SPRING,
12	5139088	1	SPRING,
13	14456981	1	O-RING, -111, CI 7, .424" ID x .103" Thk,
14	20063390	1	BALL,
15	13942670	1	PIN, ROLL, M6 x 32, Coiled,
16	5155339	1	LEVER,
17	10718114	1	NUT, LOCK, M16 x 1, CI 04,
18	11194274	1	WASHER, SPRING, Belleville, M17,
19	5155349	1	BRACKET,
20	10902024	2	BOLT, Hex, M6 x 12, 8.8, Full Thd,
21	82014329	1	SWITCH, Ground Drive PTO Interlock
22	11194674	2	WASHER, SPRING, Belleville, M6.4,

1.81.9 GUARD FOR ELECTRONIC LIFT IMPLEMENT ATTACHMENT

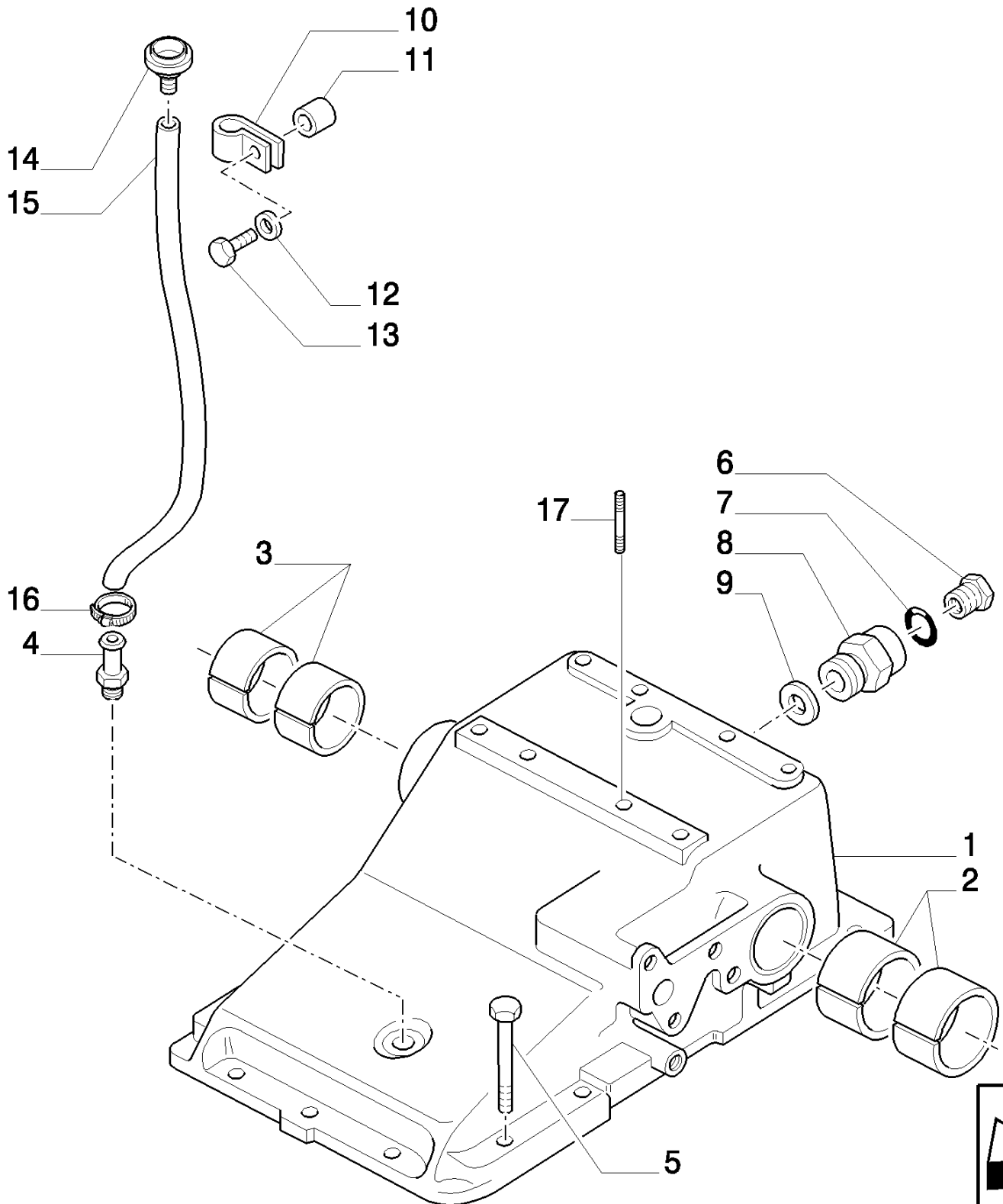
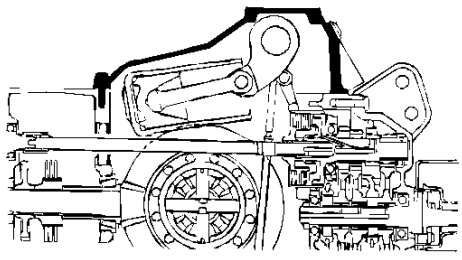


## MXM155 CASE IH TRACTOR (6/02- )

## 1.81.9 GUARD FOR ELECTRONIC LIFT IMPLEMENT ATTACHMENT

сылка	Номер детали	Кол-во	Описание
1	82026161	1	GUARD,
2	5169749	1	GUARD,
3	5175030	4	PLUG, 31.5 x 10
3	82032005	2	PLUG, 50.8 x 25.4
4	10979224	3	BOLT, Hex, M10 x 16, 8.8, Full Thd,

1.82.0 LIFTER, HOUSING AND COVERS

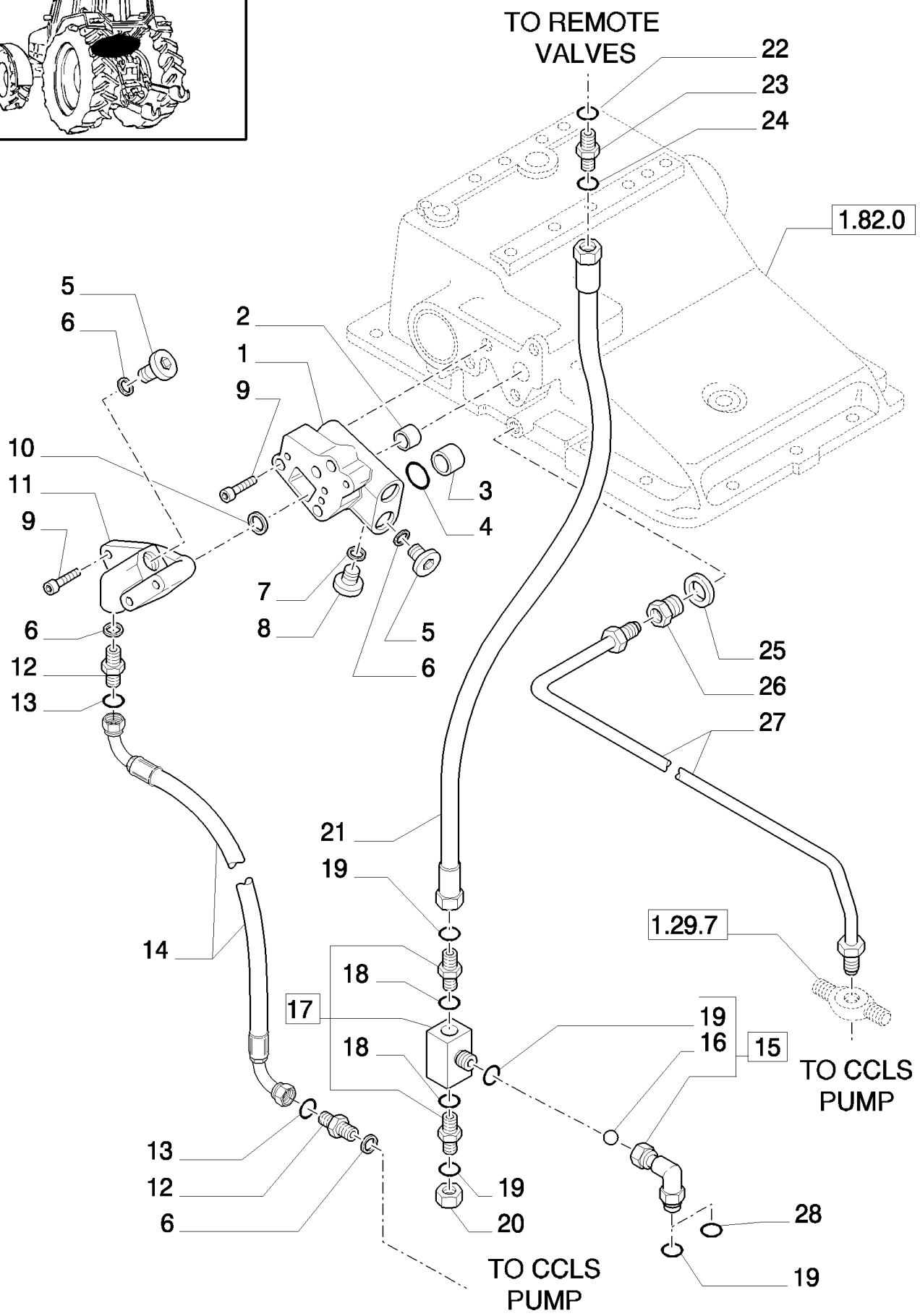
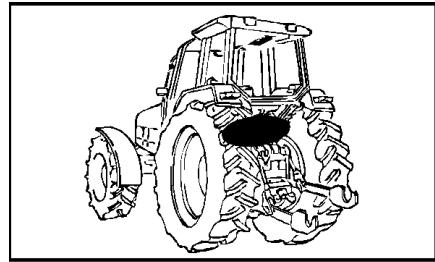


## MXM155 CASE IH TRACTOR (6/02- )

## 1.82.0 LIFTER, HOUSING AND COVERS

сылка	Номер детали	Кол-во	Описание
1	5184500	1	HOUSING, Incl. 2, 3, 17
2	5180492	2	BUSHING,
3	5180491	2	BUSHING,
4	82894853	1	FITTING,
5	11360221	2	BOLT, Hex, M14 x 1.5 x 100, 8.8,
5	15860124	9	BOLT, Hex, M14 x 1.5 x 50, 8.8,
5	15977521	2	BOLT, Hex, M14 x 1.5 x 60, 8.8,
6	83957506	1	PLUG, 3/4"-14 (B)
7	80167266	1	O-RING, 90 Duro, .924" ID x .116" Thk
8	5186067	1	PLUG,
9	10265160	1	WASHER, COPPER, M35.4 x 41 x 1.5, Copper,
10	87302117	1	CLIP,
11	83952980	1	SPACER,
12	86511315	1	WASHER, M8 x 16 x 1.6,
13	80120061	1	SCREW, Cap, HH, CL 8.8, M8 x 1.25 x 60
14	89636958	1	BREATHER,
15	82012599	1	HOSE, FLEXIBLE,
16	82000599	1	CLAMP,
17	13449724	2	STUD, M10 x 1.25 x 30

1.82.1(01) LIFTER, LINES





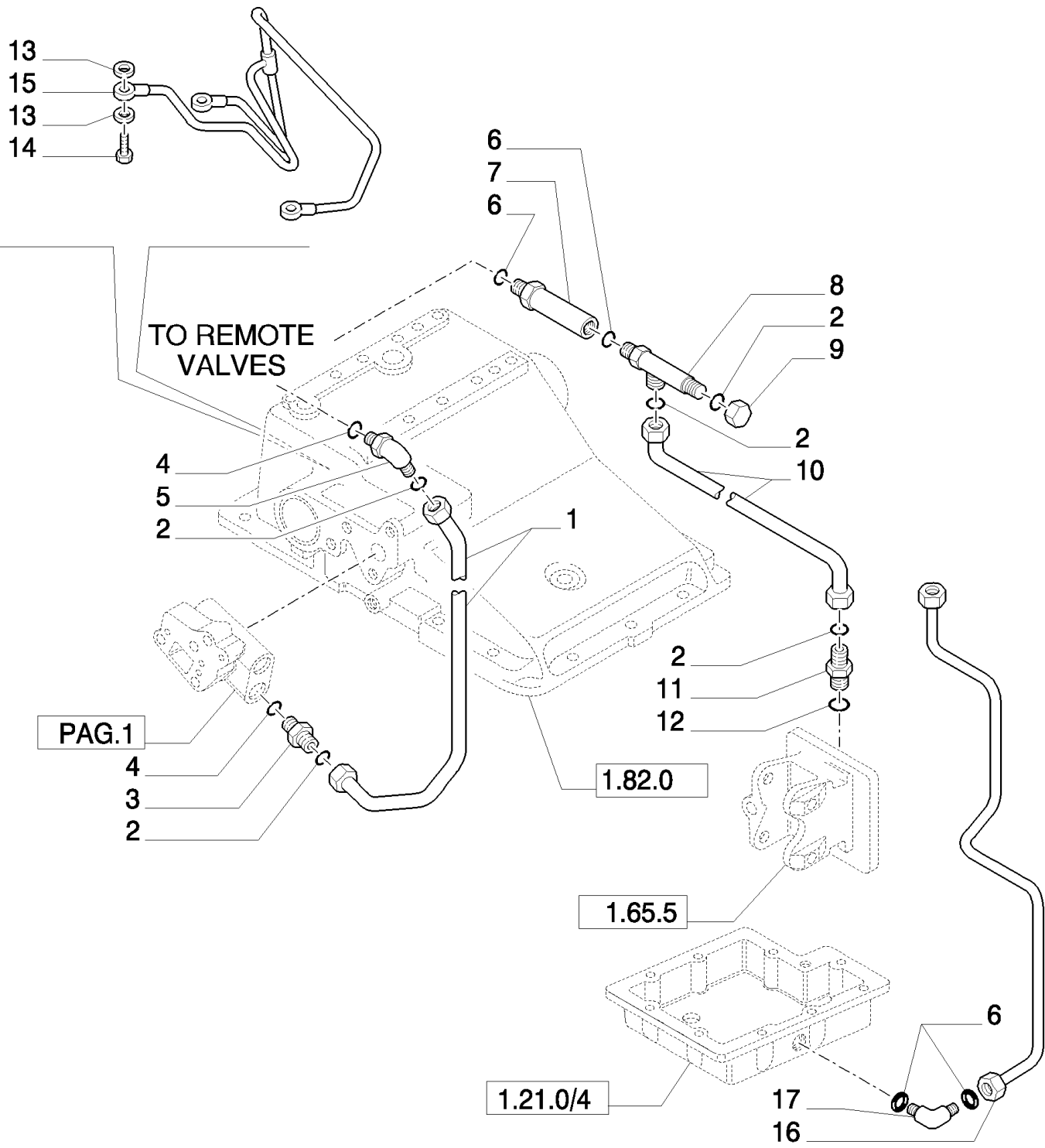
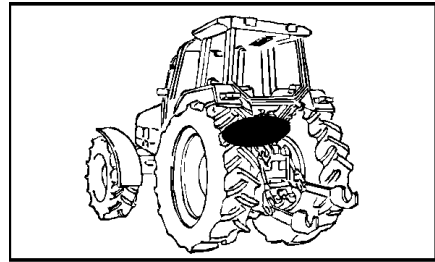
## MXM155 CASE IH TRACTOR (6/02- )

## 1.82.1(01) LIFTER, LINES

сылка	Номер детали	Кол-во	Описание
1	5188096	1	MANIFOLD,
2	5103239	1	DOWEL, M8.25 x 11 x 7
3	5186083	1	BUSHING, 11 x 16 x 14
4	14457880	1	O-RING, -120, 70 Duro, .987" ID x .103" Thk,
5	10118811	2	PLUG, M22 x 1.5 x 14, CI5.8,
6	14438085	4	O-RING, 19.3MM ID x 2.4 Thk,
7	14437885	1	O-RING, 13.3MM ID x 2.4 Thk,
8	10119311	1	PLUG, M16 x 1.5 x 12, CI5.8,
9	14308920	3	SCREW, Hex Soc Hd, M8 x 60, 8.8,
9	16044821	2	BOLT, Hex, M8 x 80, 8.8,
9	14306624	1	SCREW, Hex Soc Hd, M8 x 35, 10.9,
10	81862872	1	O-RING, 19.6 x 2.4
10	81862879	1	SEAL, 7.6 x 2.4
11	5189019	1	COVER,
12	5185041	2	CONNECTOR, HYD.,
13	5185513	2	O-RING, M18.77 x 1.78
14	5199154	1	HOSE, FLEXIBLE,
15	47126657	1	ELBOW, , -C5082
15	47135294	1	ELBOW, Incl. 28, D5082-
16	47126655	1	BUSHING, , -C5082
17	81862791	1	VALVE, REMOTE CONTROL,
18	165202	2	O-RING, 4-1, 90 Duro, .351" ID x .072" Thk,
19	9825770	3	O-RING, -011, 90 Duro, .301" ID x .070" Thk,
20	5189973	1	PLUG, 9/16"-18
21	87302782	1	HOSE, FLEXIBLE,
22	14437685	1	O-RING, 9.3MM ID x 2.4 Thk,
23	5185045	1	CONNECTOR, HYD., 9/16"-18, M12 x 1.5
24	5185509	1	O-RING, M7.66 ID x 1.78 Thk
25	10263460	1	WASHER, SEALING, M22.3 x 28 x 1.5,
26	5157873	1	CONNECTOR, HYD.,
27	5184823	1	TUBE, HYD,
28	14437585	1	O-RING, 8MM ID x 1.5 Thk, , D5082-

D5082 After Date 22/10/04

1.82.1(02) LIFTER, LINES

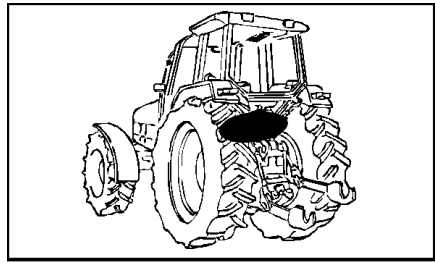


## MXM155 CASE IH TRACTOR (6/02- )

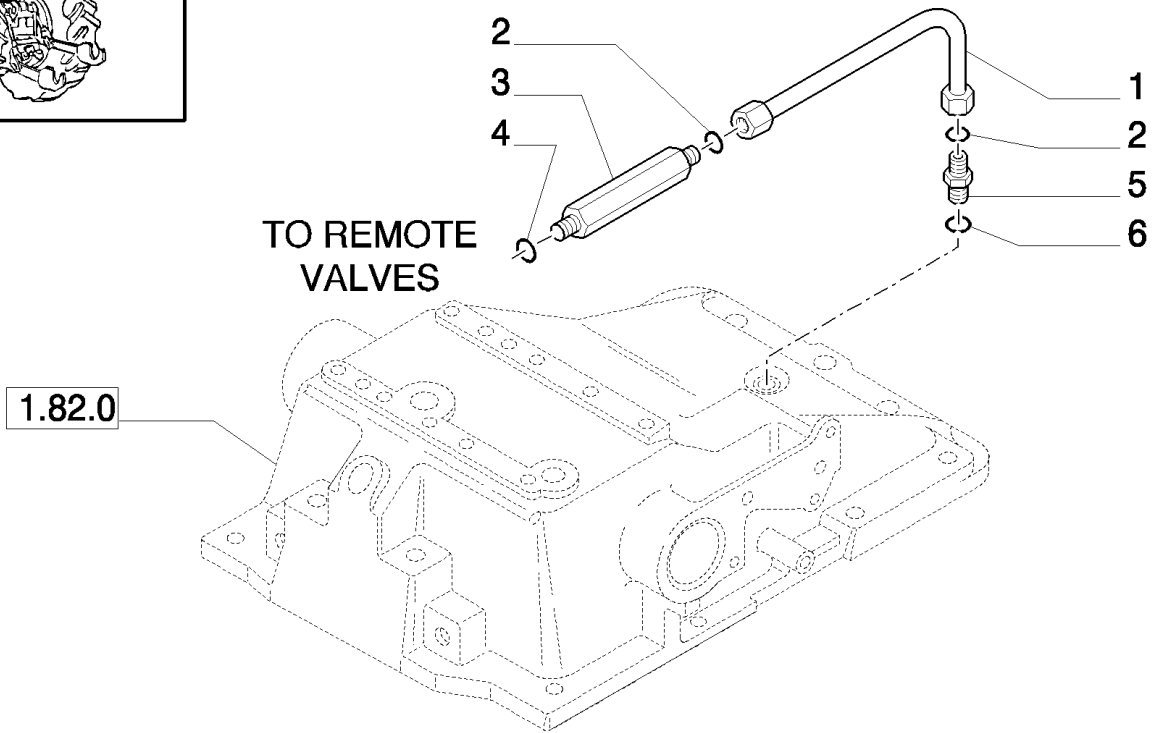
## 1.82.1(02) LIFTER, LINES

сылка	Номер детали	Кол-во	Описание
1	5196585	1	HOSE, FLEXIBLE,
2	5185513	6	O-RING, M18.77 x 1.78
3	5185041	1	CONNECTOR, HYD.,
4	14438085	2	O-RING, 19.3MM ID x 2.4 Thk,
5	5185556	1	ELBOW,
6	14438185	3	O-RING, 24MM ID x 3.0 Thk,
7	5190396	1	CONNECTOR, HYD.,
8	5189900	1	TEE,
9	5189904	1	PLUG, 1-3/16"-12 UN-2B
10	5189902	1	TUBE, HYD, , -C4806
11	5189820	1	CONNECTOR, HYD., , -C4806
12	10265060	1	WASHER, COPPER, M32.4 x 38 x 1.5,
13	4858605	6	SEAL,
14	11903717	3	CONNECTOR, HYD.,
15	5170187	1	TUBE, HYD,
16	47127841	1	PIPE, , D4806-
17	5197118	1	ELBOW, , D4806-

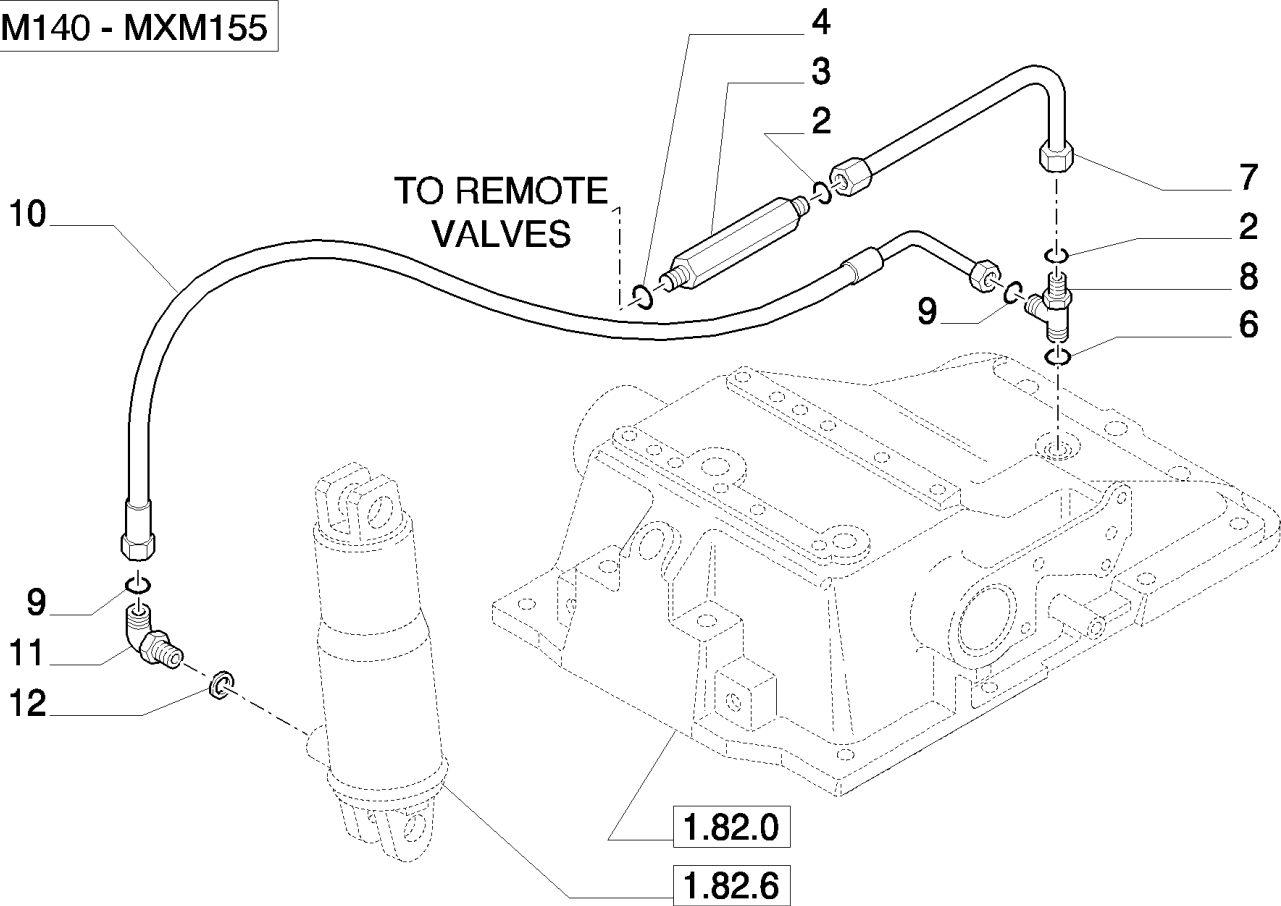
D4806 After Date 14/05/02



MXM120 - MXM130



MXM140 - MXM155

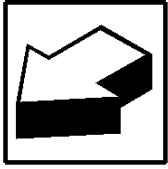
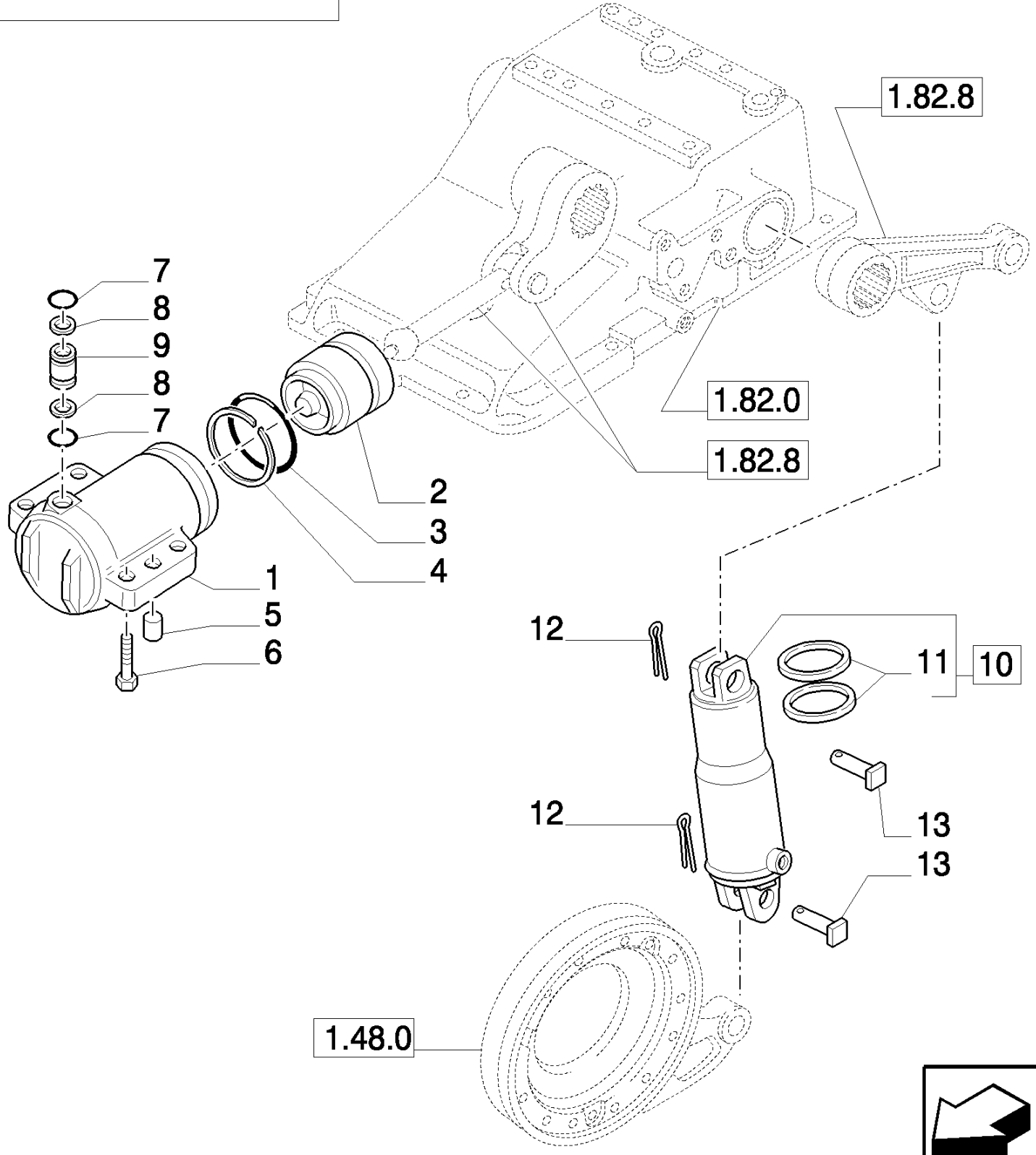
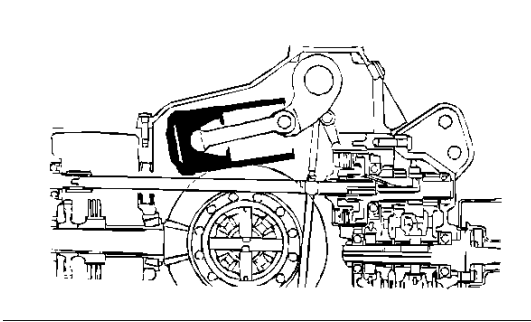


## MXM155 CASE IH TRACTOR (6/02- )

## 1.82.1(03) LIFTER, LINES

сылка	Номер детали	Кол-во	Описание
1	5184821	1	TUBE, HYD,
2	5185512	2	O-RING, M15.6 ID x 1.78 Thk
3	5185048	1	CONNECTOR, HYD.,
4	14438085	1	O-RING, 19.3MM ID x 2.4 Thk,
5	5185046	1	CONNECTOR, HYD.,
6	14437985	1	O-RING, 15.3MM ID x 2.4 Thk,
7	5184843	1	TUBE, RIGID,
8	5185049	1	TEE,
9	5185510	2	O-RING, M9.25 ID x 1.78 Thk, W/112" Bar Axle F/Cast Wheels (Heavy Duty Reduction) is used for MXM120, MXM130
10	5184845	1	HOSE, FLEXIBLE, , W/112" Bar Axle F/Cast Wheels (Heavy Duty Reduction) is used for MXM120, MXM130
11	5185050	1	ELBOW, , W/112" Bar Axle F/Cast Wheels (Heavy Duty Reduction) is used for MXM120, MXM130
12	14437885	1	O-RING, 13.3MM ID x 2.4 Thk, , W/112" Bar Axle F/Cast Wheels (Heavy Duty Reduction) is used for MXM120, MXM130

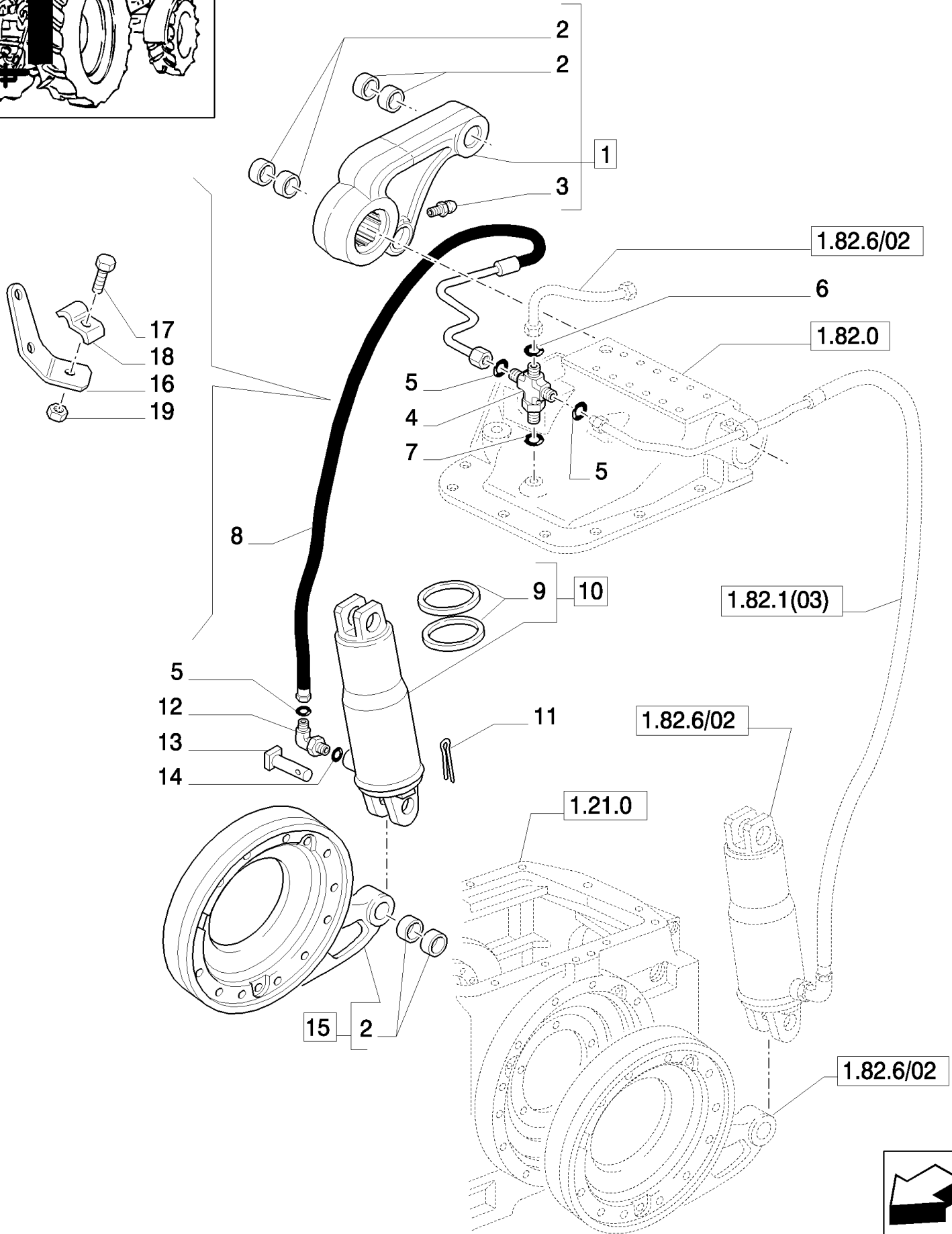
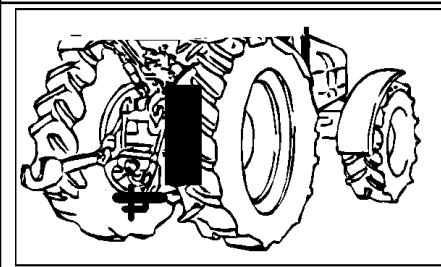
1.82.6 LIFTER, PISTON AND CYLINDER



## MXM155 CASE IH TRACTOR (6/02- )

## 1.82.6 LIFTER, PISTON AND CYLINDER

сылка	Номер детали	Кол-во	Описание
1	5146363	1	CYLINDER,
2	5146365	1	PISTON,
3	14472880	1	O-RING, -345, 70 Duro, 3.975" ID x .210" Thk,
4	5136567	1	RING, 5.33 x 100.96
5	596820	2	DOWEL,
6	14258131	4	SCREW, M16 x 1.5 x 50
7	14457281	2	O-RING, -114, CI 7, .612" ID x .103" Thk,
8	4958830	2	BACK-UP RING,
9	5146353	1	CONNECTOR, HYD.,
10	47125823	1	CYLINDER, LIFT, MXM140, MXM155
11	9966093	1	KIT, SEALS, MXM140, MXM155
12	5112606	2	PIN, SPLIT (COTTER), MXM140, MXM155
13	5146401	2	PIN, MXM140, MXM155



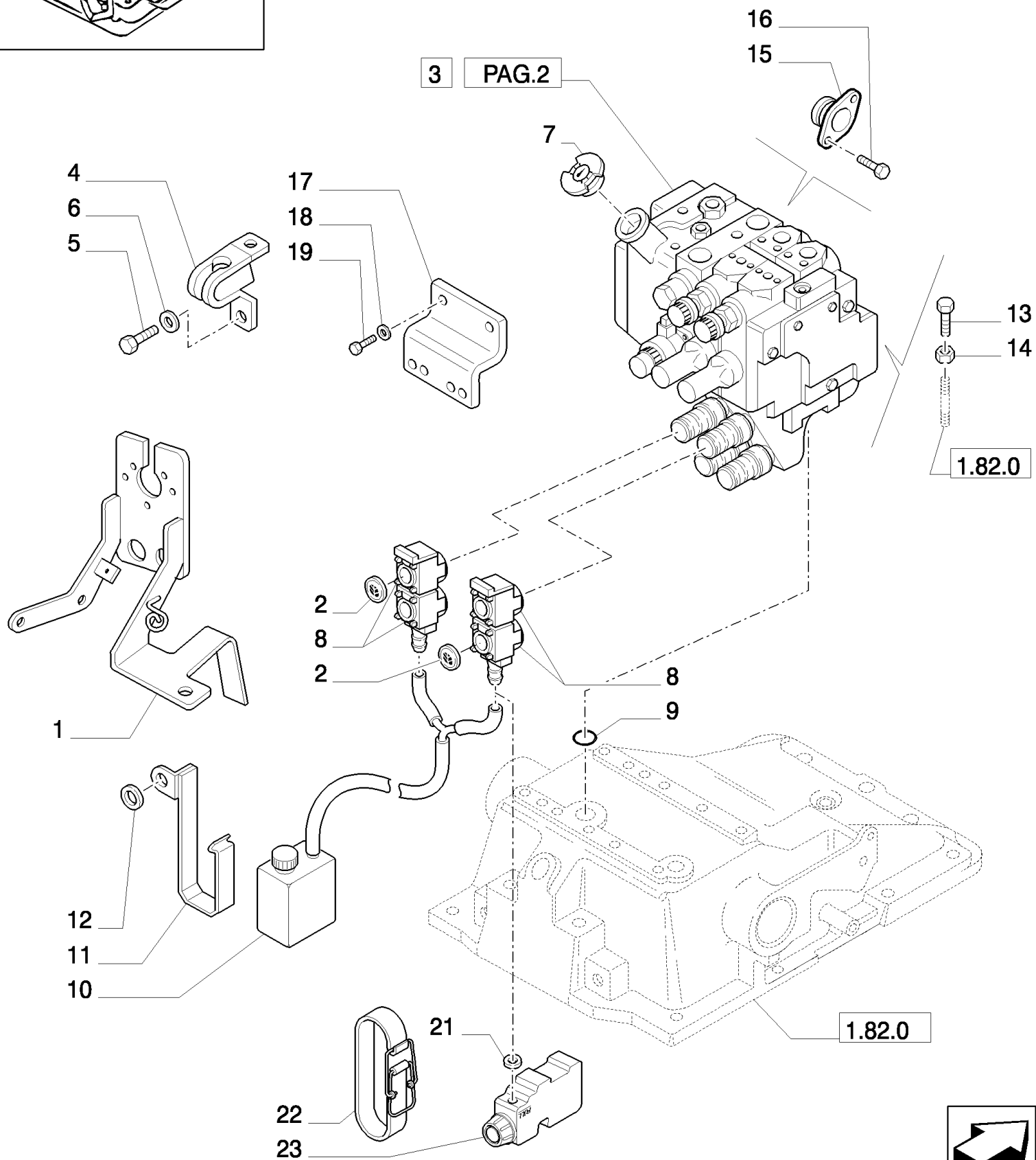
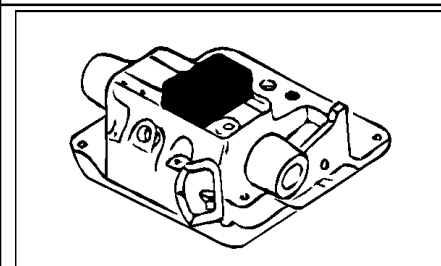


MXM155 CASE IH TRACTOR (6/02- )

1.82.6/03 (VAR.783/1) RH LIFT ASSIST CYLINDER FOR TRACTOR W/1 LIFT ASSIST CYLINDER

сылка	Номер детали	Кол-во	Описание
1	87317740	1	ARM, LIFT, RH
2	5153140	6	BUSHING,
3	13407811	1	NIPPLE, LUBE,
4	5185051	1	CONNECTOR, HYD., M18 x 1.5, Incl. 5, 6, 7
5	5185510	3	O-RING, M9.25 ID x 1.78 Thk
6	5185512	1	O-RING, M15.6 ID x 1.78 Thk
7	14437985	1	O-RING, 15.3MM ID x 2.4 Thk,
8	5189765	1	TUBE, HYD,
9	9966093	1	KIT, SEALS, Gaskets
10	47125823	1	CYLINDER, LIFT,
11	5112606	2	PIN, SPLIT (COTTER),
12	5185050	1	ELBOW, M16 x 1.5, Incl. 5, 14
13	5146401	2	PIN,
14	14437885	1	O-RING, 13.3MM ID x 2.4 Thk,
15	5176976	1	SPACER, RH
16	5185427	1	BRACKET,
17	10902424	1	BOLT, Hex, M6 x 20, 8.8, Full Thd,
18	5156374	1	CLAMP,
19	12574221	1	NUT, LOCK, M6 x 1, CI 10,

1.82.7(01) EXTRA EXTERNAL CONTROL VALVES AND PIPES



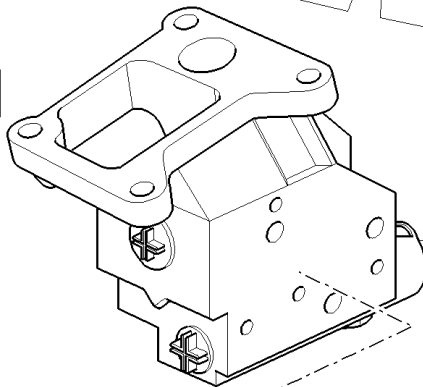
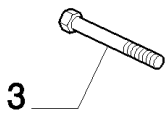
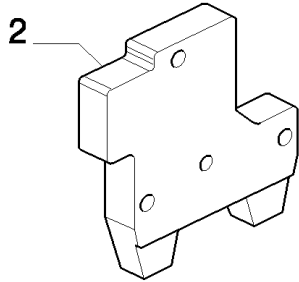
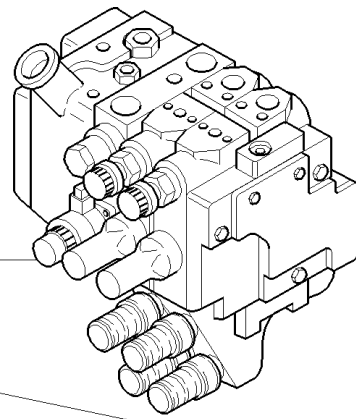
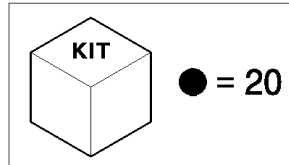
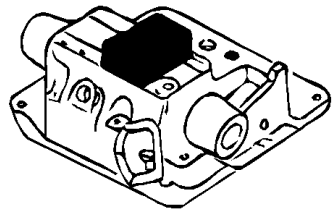
## MXM155 CASE IH TRACTOR (6/02- )

## 1.82.7(01) EXTRA EXTERNAL CONTROL VALVES AND PIPES

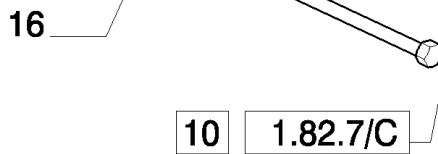
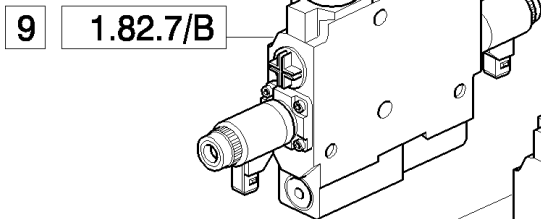
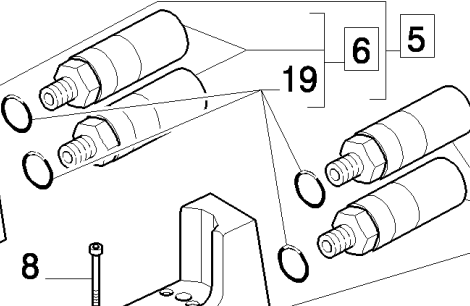
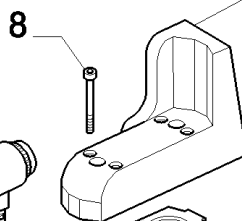
сылка	Номер детали	Кол-во	Описание
1	87308094	1	BRACKET,
2	82029892	2	DISC, Green
2	82029893	2	DISC, Blue
3	5194802	1	VALVE, CONTROL, Assy (Bosch)
4	5189351	1	BRACKET,
5	15540431	1	BOLT, Hex, M12 x 1.25 x 30, 10.9, Full Thd,
5	15540824	1	BOLT, Hex, M12 x 1.25 x 50, 8.8,
6	14496721	2	WASHER, M12 x 24 x 2.5,
7	82005372	1	COVER,
8	5188836	2	DUST CAP,
9	14463780	1	O-RING, -219, 70 Duro, 1.296" ID x .139" Thk,
10	82025219	1	TUBE, , BSN ACM222779
11	82026191	1	BRACKET, , BSN ACM222779
12	13507701	1	WASHER, M16 x 27 x 2, , BSN ACM222779
13	16204524	2	BOLT, Hex, M10 x 35,
14	12164714	2	NUT, M10 x 1.25, CI 8,
15	5189606	2	SUPPORT,
16	14305221	4	SCREW, Hex Soc Hd, M6 x 16, 8.8,
17	82030587	1	BRACKET,
18	14496404	2	WASHER, LOCK, M6 x 12.5
19	10902424	2	BOLT, Hex, M6 x 20, 8.8, Full Thd,
20	82011330	1	FITTING, , BSN ACM222779
21	82029356	2	SEAL, , ASN ACM222780
22	82032061	2	CLIP, , ASN ACM222780
23	82029231	2	BOTTLE, , ASN ACM222780

D4948 Serial N.ACM222780

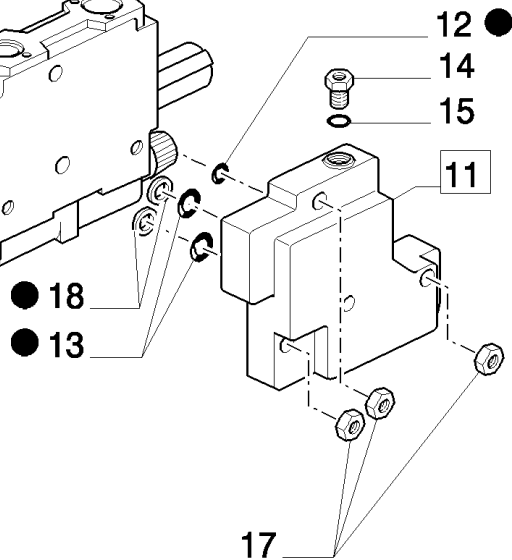
1.82.7(02) EXTRA EXTERNAL CONTROL VALVES AND PIPES



1.82.7/A 4



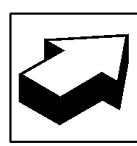
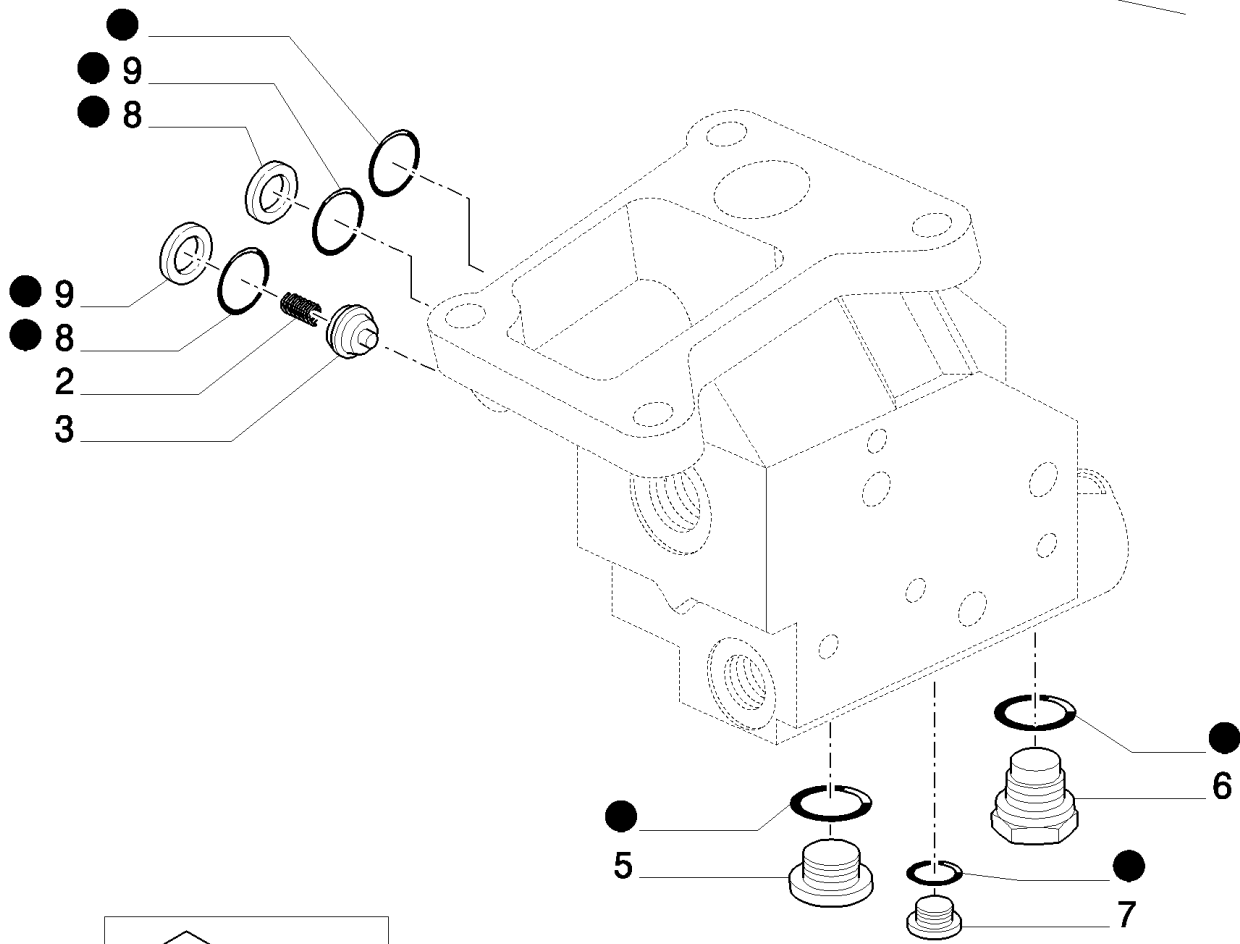
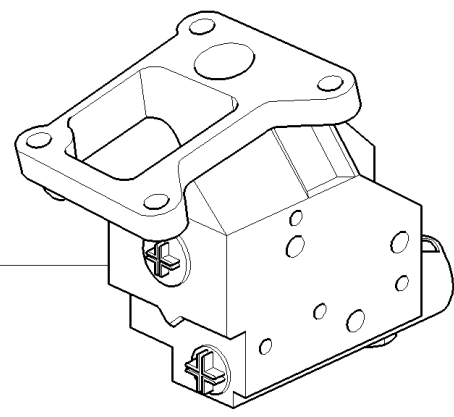
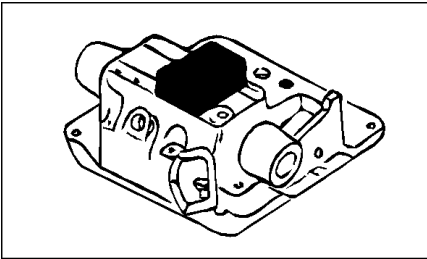
10 1.82.7/C



## 1.82.7(02) EXTRA EXTERNAL CONTROL VALVES AND PIPES

сылка	Номер детали	Кол-во	Описание
1	5194802	1	VALVE, CONTROL, Assy (Bosch)
2	5190710	1	PLATE, END,
3	5191664	3	SCREW,
4	5195158	1	BODY, (Support Column)
5	5191806	1	COUPLING, Assy, BSN 293075
5	87381982	1	COUPLING, Assy, ASN 293076
6	5190882	4	COUPLING, PUSH-PULL, Incl. 19, BSN 293075
6	87381944	4	COUPLING, PUSH-PULL, , ASN 293076
7	5191803	1	COUPLING, Assy, BSN 293075
7	87381981	1	COUPLING, Assy, ASN 293076
8	14305971	8	SCREW, Hex Soc Hd, M6 x 45, 12.9,
9	5195159	1	VALVE, CONTROL, Assy (EDC Valve)
10	5195165	2	VALVE, CONTROL, Assy
11	5195157	1	COVER, (12, 13, 18)
12	81862872	1	O-RING, 19.6 x 2.4
13	5190751	2	O-RING, 18 x 2.5
14	5191704	1	VALVE, CHECK, Non-Return Valve
15	5191705	1	O-RING,
16	5195168	3	TIE-ROD,
17	16100821	3	NUT, M8, CI 10,
18	5195150	2	BACK-UP RING,
19	14438085	4	O-RING, 19.3MM ID x 2.4 Thk,
20	47126963	1	KIT, SEALS,

1.82.7/ A CENTRAL HOUSING BREAKDOWN (REMOTE VALVE)

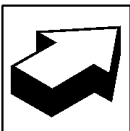
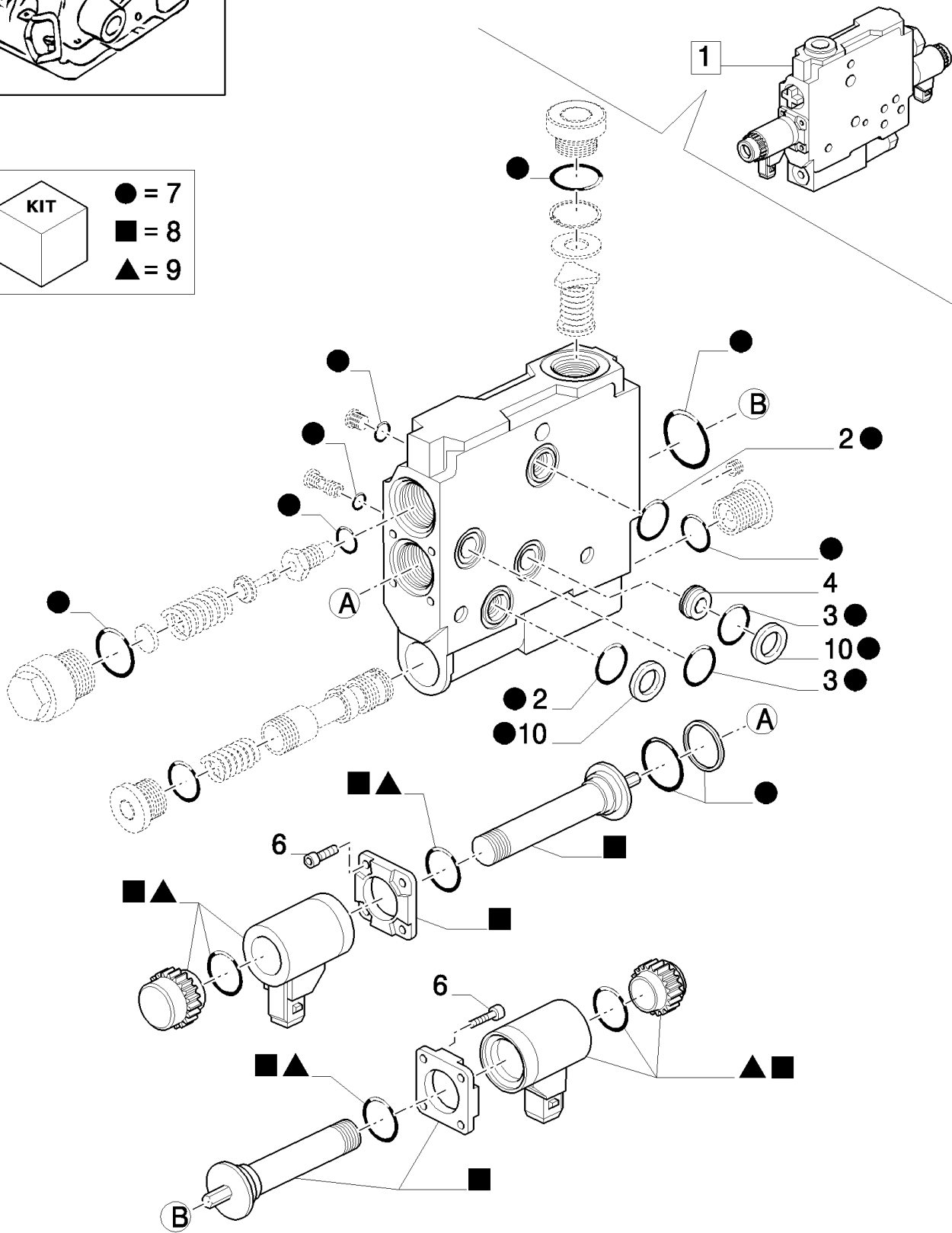
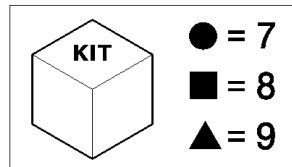
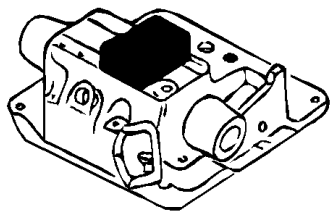


## MXM155 CASE IH TRACTOR (6/02- )

## 1.82.7/ A CENTRAL HOUSING BREAKDOWN (REMOTE VALVE)

сылка	Номер детали	Кол-во	Описание
1	5195158	1	BODY, Assy (Support Column)
2	5191717	1	SPRING,
3	5191716	1	BUSHING,
4	5195156	1	KIT, SEALS,
5	10119011	1	PLUG, M27 x 2 x 20, CI5.8,
6	5191715	1	PLUG,
7	10118611	1	PLUG, M12 x 1.5 x 15, CI5.8,
8	5190751	2	O-RING, 18 x 1.5
9	5195150	2	BACK-UP RING,

1.82.7/ B REMOTE CONTROL VALVE BREAKDOWN (EDC VALVE)



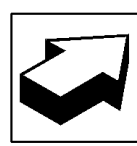
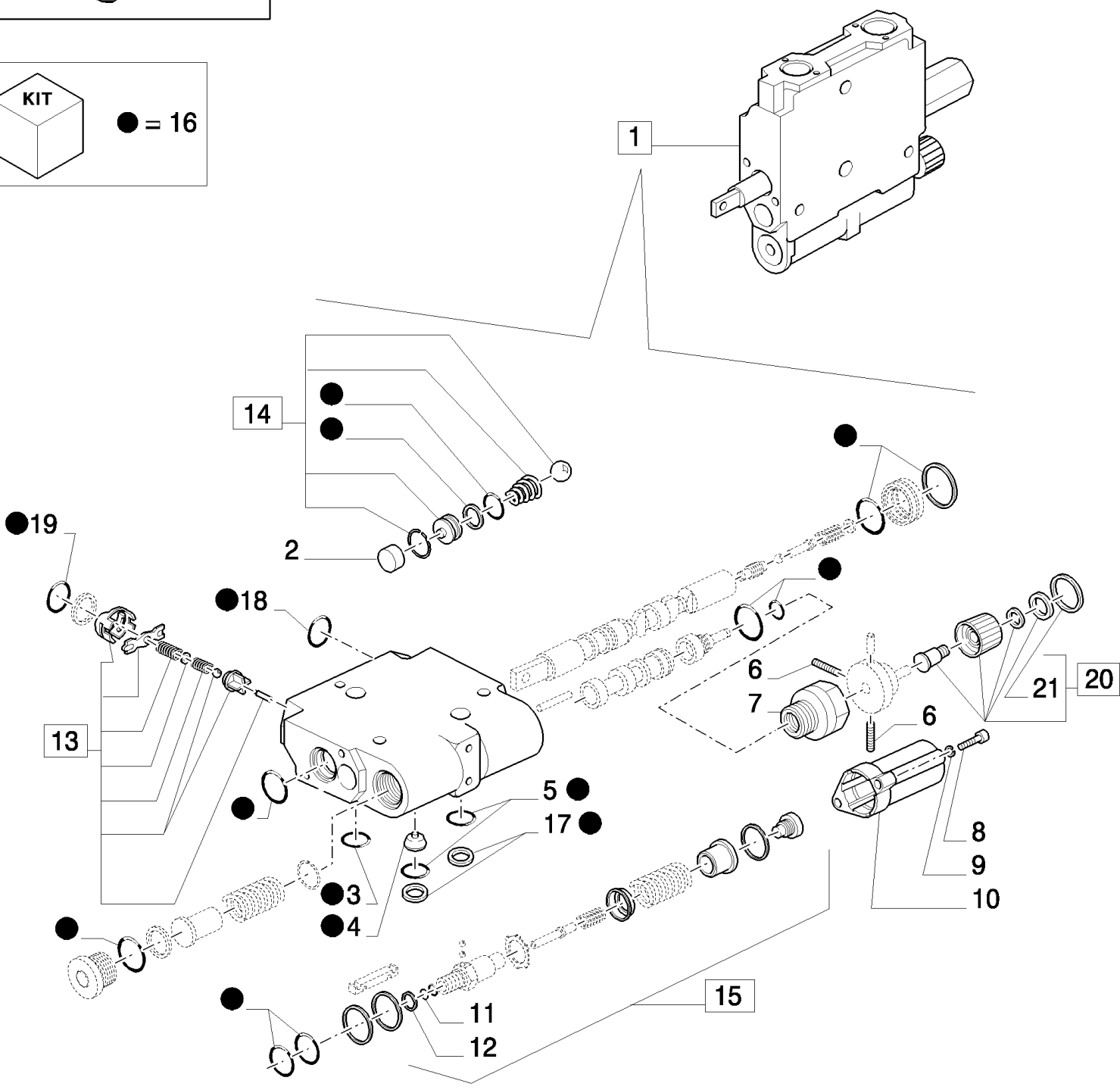
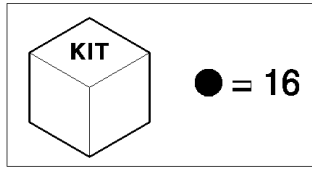
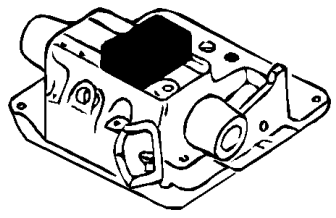


## MXM155 CASE IH TRACTOR (6/02- )

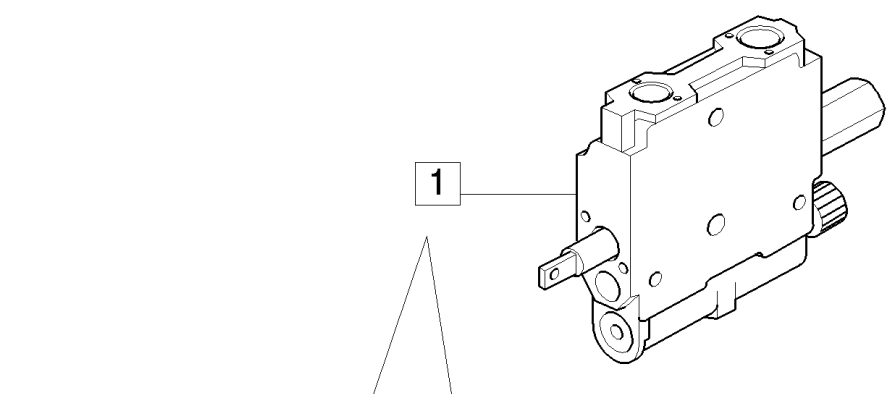
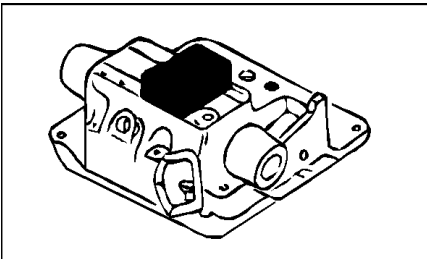
## 1.82.7/ B REMOTE CONTROL VALVE BREAKDOWN (EDC VALVE)

сылка	Номер детали	Кол-во	Описание
1	5195159	1	VALVE, CONTROL, Assy (EDC Valve)
2	81862872	1	O-RING, 19.6 x 2.4
3	5190751	2	O-RING, 18 x 2.5
4	5191776	1	VALVE, Shuttle, -C5029
4	47127006	1	VALVE, Shuttle, D5029-
5	5190769	1	O-RING, 17 x 2.5
6	5190770	8	SCREW,
7	5190771	1	KIT, SEALS,
8	5190767	1	KIT, Solenoid
9	5188024	1	KIT, Raise Solenoid
10	5195150	2	BACK-UP RING,

1.82.7/ C(01) REMOTE CONTROL VALVE - BREAKDOWN - C5029

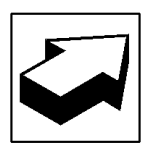
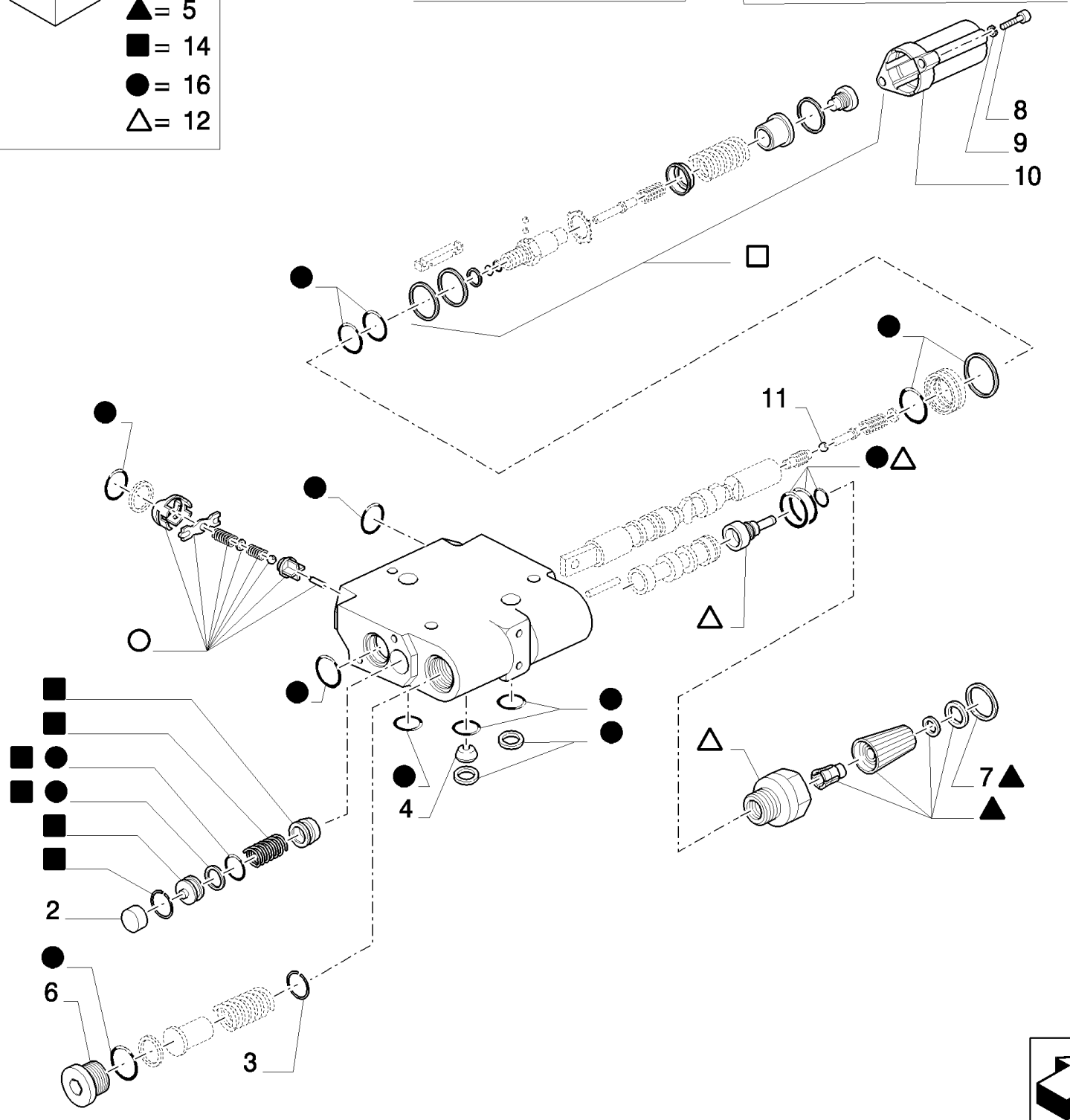


сылка	Номер детали	Кол-во	Описание
1	5195165	1	VALVE, CONTROL, Assy
2	5191775	1	PLUG,
3	81862872	1	O-RING, 20 x 1.5
4	5191776	1	VALVE, Shuttle
5	5190751	2	O-RING, 18 x 2.5
6	5191778	2	STUD,
7	5191779	1	PLUG,
8	5191782	2	SCREW, M6 x 28
9	5191783	2	RING, LOCKING,
10	5191784	1	CAP,
11	5191781	1	O-RING, 2.5 x 1.5
12	5191780	1	O-RING, 10 x 2
13	5191720	1	KIT, REPAIR, Thrust Pin
14	5191773	1	KIT, REPAIR,
15	5191762	1	KIT, REPAIR,
16	5191774	1	KIT, SEALS,
17	5195150	2	BACK-UP RING,
18	5195166	1	O-RING,
19	5190769	1	O-RING,
20	5196927	1	KNOB,
21	5196928	1	DISC,



**KIT**

- = 13
- = 15
- ▲ = 5
- = 14
- = 16
- △ = 12

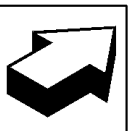
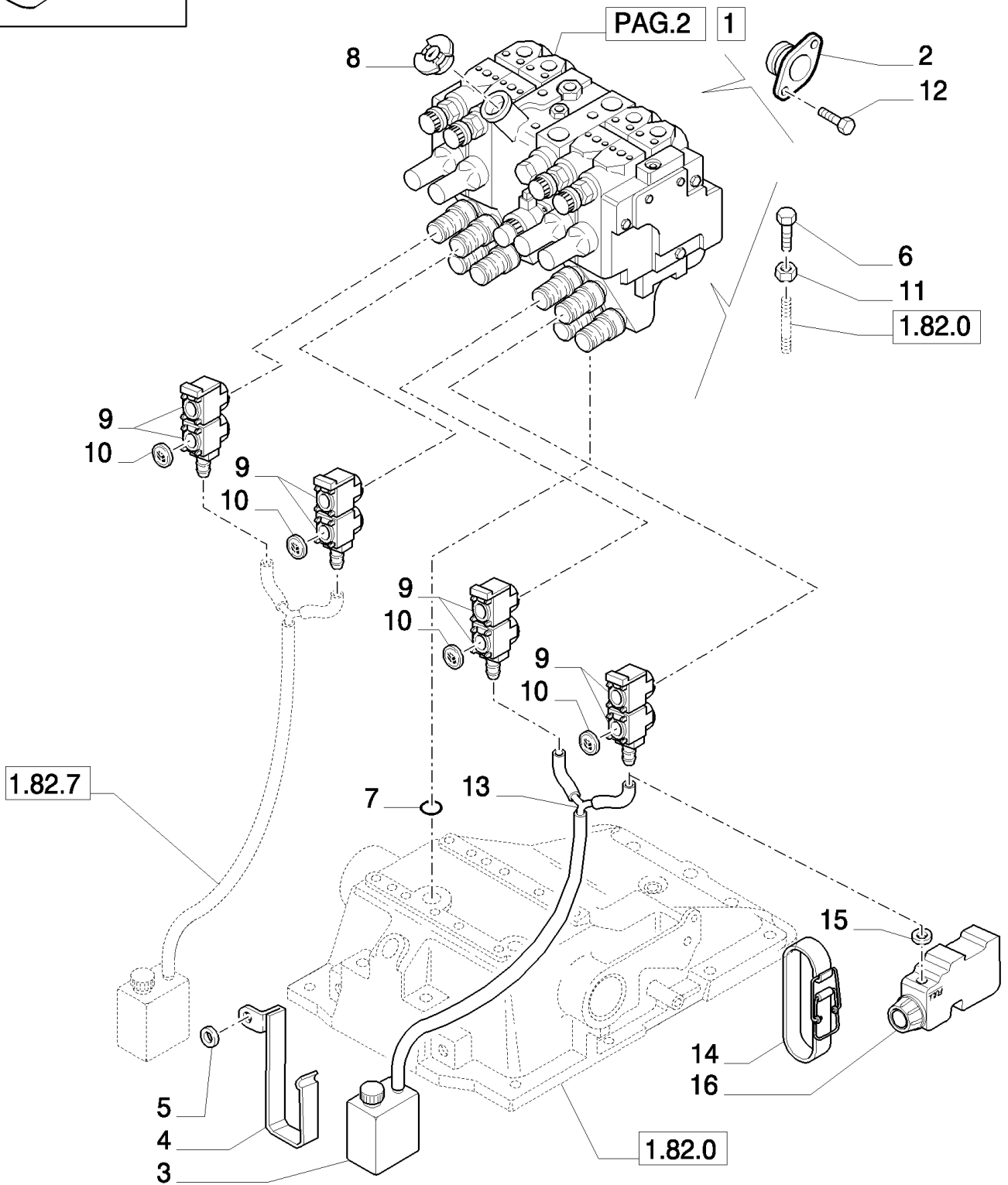
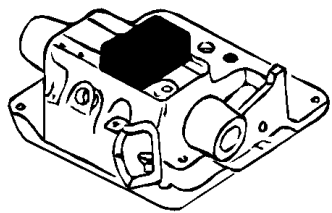


## MXM155 CASE IH TRACTOR (6/02- )

## 1.82.7/ C(01A) REMOTE CONTROL VALVE - BREAKDOWN - D5029

сылка	Номер детали	Кол-во	Описание
1	5195165	1	VALVE, CONTROL, Assy
2	5191775	1	PLUG,
3	47129463	1	RETAINER,
4	47127006	1	VALVE, Shuttle
5	87319988	1	KNOB,
6	47129438	1	PLUG,
7	87319989	1	CAP,
8	5191782	2	SCREW, M6 x 28
9	5191783	2	RING, LOCKING,
10	5191784	1	CAP,
11	47129462	1	BALL,
12	47130767	2	REGULATOR,
13	5191720	1	KIT, REPAIR, Thrust Pin
14	87376020	1	KIT, SERVICE, Check Valve
15	87384898	1	KIT, SERVICE, Spool
16	5191774	1	KIT, SEALS,

D5029 After Date 04/02/05

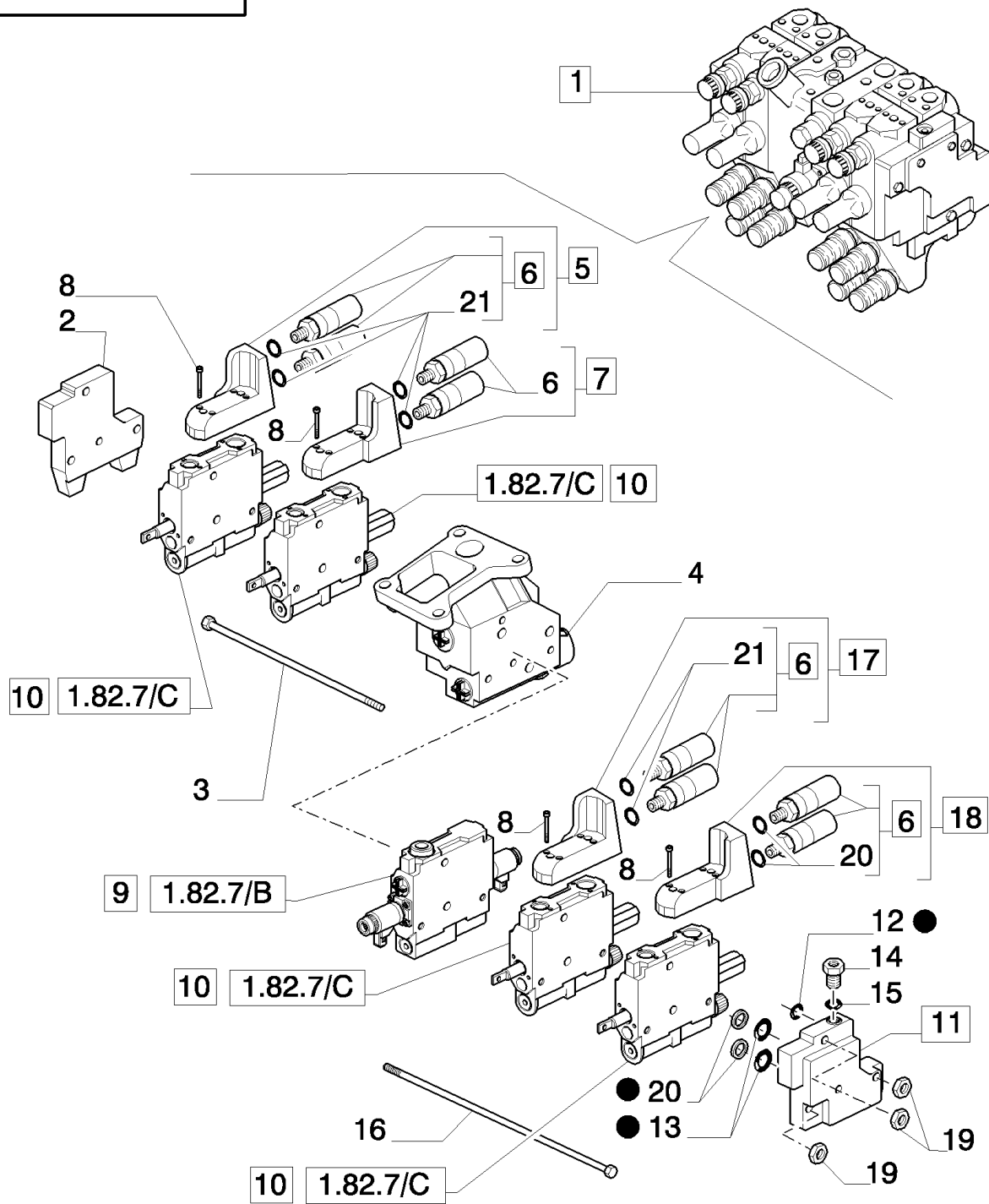
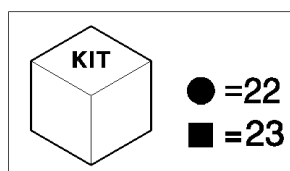
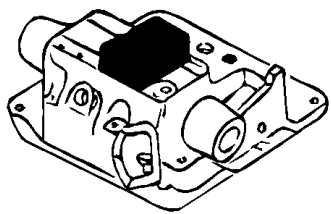


MXM155 CASE IH TRACTOR (6/02- )

1.82.7/03(01) (VAR.425) 4-CONTROL VALVE UNIT

сылка	Номер детали	Кол-во	Описание
1	5194804	1	VALVE, CONTROL, Assy (Bosch)
2	5189606	4	SUPPORT,
3	82025219	1	TUBE, , BSN ACM222779
4	82026191	1	BRACKET, , BSN ACM222779
5	13507701	1	WASHER, M16 x 27 x 2, , BSN ACM222779
6	16204524	2	BOLT, Hex, M10 x 35,
7	14463780	1	O-RING, -219, 70 Duro, 1.296" ID x .139" Thk,
8	82005372	1	COVER,
9	5188836	4	DUST CAP,
10	82029892	2	DISC, Green
10	82029893	2	DISC, Blue
10	82029894	2	DISC, Brown
10	82029895	2	DISC, Black
11	12164714	2	NUT, M10 x 1.25, CI 8,
12	14305221	8	SCREW, Hex Soc Hd, M6 x 16, 8.8,
13	82011330	1	FITTING, , BSN ACM222779
14	82029232	4	CLIP, , ASN ACM222780
15	82029356	4	SEAL, , ASN ACM222780
16	82029231	4	BOTTLE, , ASN ACM222780

D4948 Serial N.ACM222780



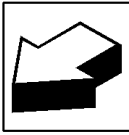
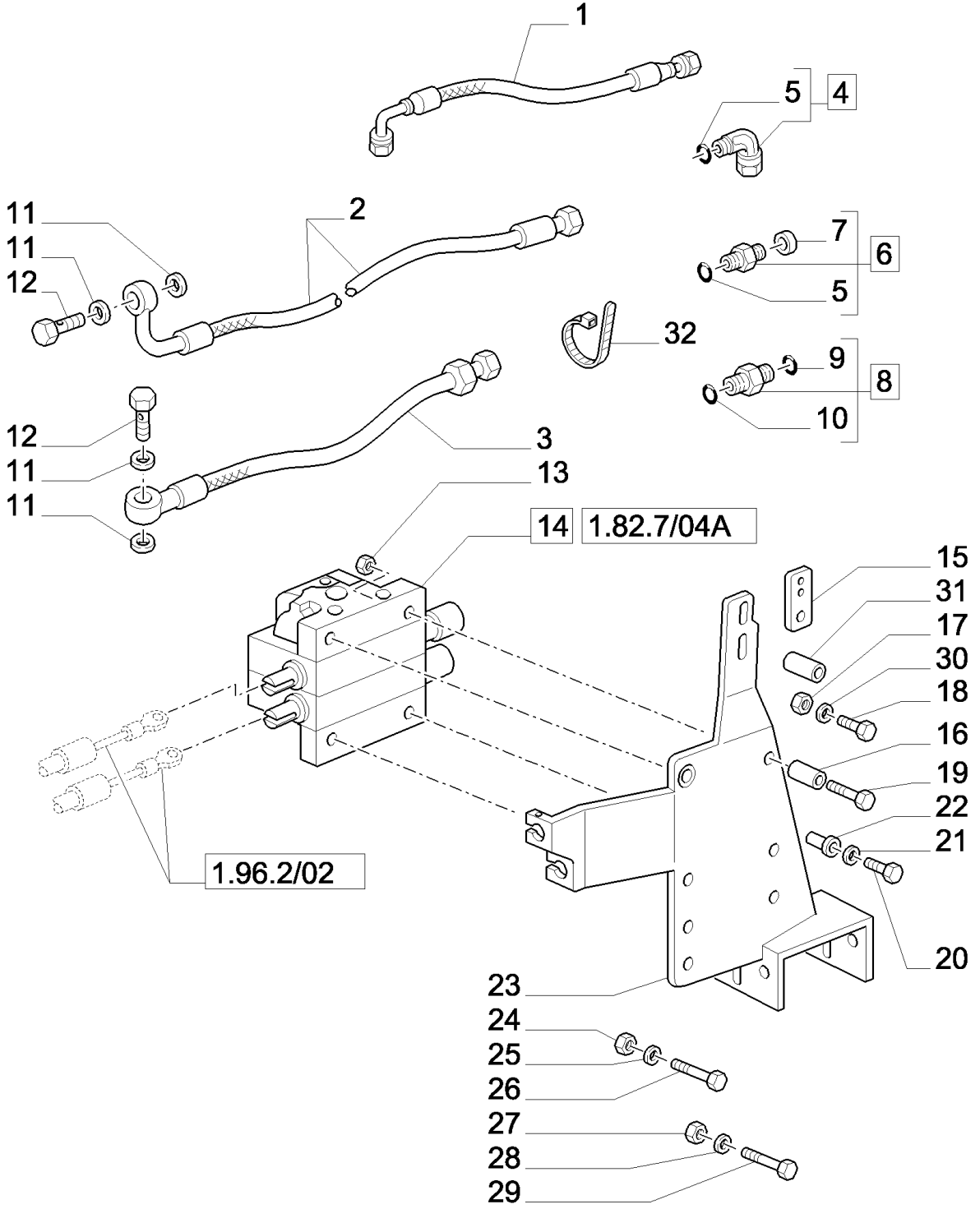
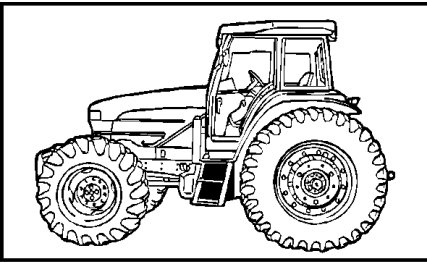


## MXM155 CASE IH TRACTOR (6/02- )

## 1.82.7/03(02) (VAR.425) 4-CONTROL VALVE UNIT

сылка	Номер детали	Кол-во	Описание
1	5194804	1	VALVE, CONTROL, Assy (Bosch)
2	5190710	1	PLATE, END,
3	5195170	3	SCREW,
4	5195158	1	BODY, Assy
5	5191811	1	COUPLING, Assy, -C5279
5	87381984	1	COUPLING, Assy, D5279-
6	5190882	8	COUPLING, PUSH-PULL, Incl. 21, -C5279
6	87381944	8	COUPLING, PUSH-PULL, , C5279-
7	5191808	1	COUPLING, Assy, -C5279
7	87381983	1	COUPLING, Assy, C5279-
8	14305971	16	SCREW, Hex Soc Hd, M6 x 45, 12.9,
9	5195159	1	VALVE, CONTROL, Assy
10	5195165	4	VALVE, CONTROL, Assy
11	5195157	1	COVER, (12,13, 20)
12	81862872	1	O-RING, 19.6 x 2.4
13	5190751	2	O-RING, 18 x 2.5
14	5191704	1	VALVE, CHECK,
15	5191705	1	O-RING,
16	5195168	3	TIE-ROD,
17	5191806	1	COUPLING, Assy, -C5279
17	87381982	1	COUPLING, Assy, C5279-
18	5191803	1	COUPLING, Assy, -C5279
18	87381981	1	COUPLING, Assy, C5279-
19	16100821	3	NUT, M8, CI 10,
20	5195150	2	BACK-UP RING,
	83984290	AR	KIT, Seal & Ring, for 5190882 Coupler
21	14438085	8	O-RING, 19.3MM ID x 2.4 Thk,
22	47126963	4	KIT, SEALS,

D5279 After Date 30 November 2005

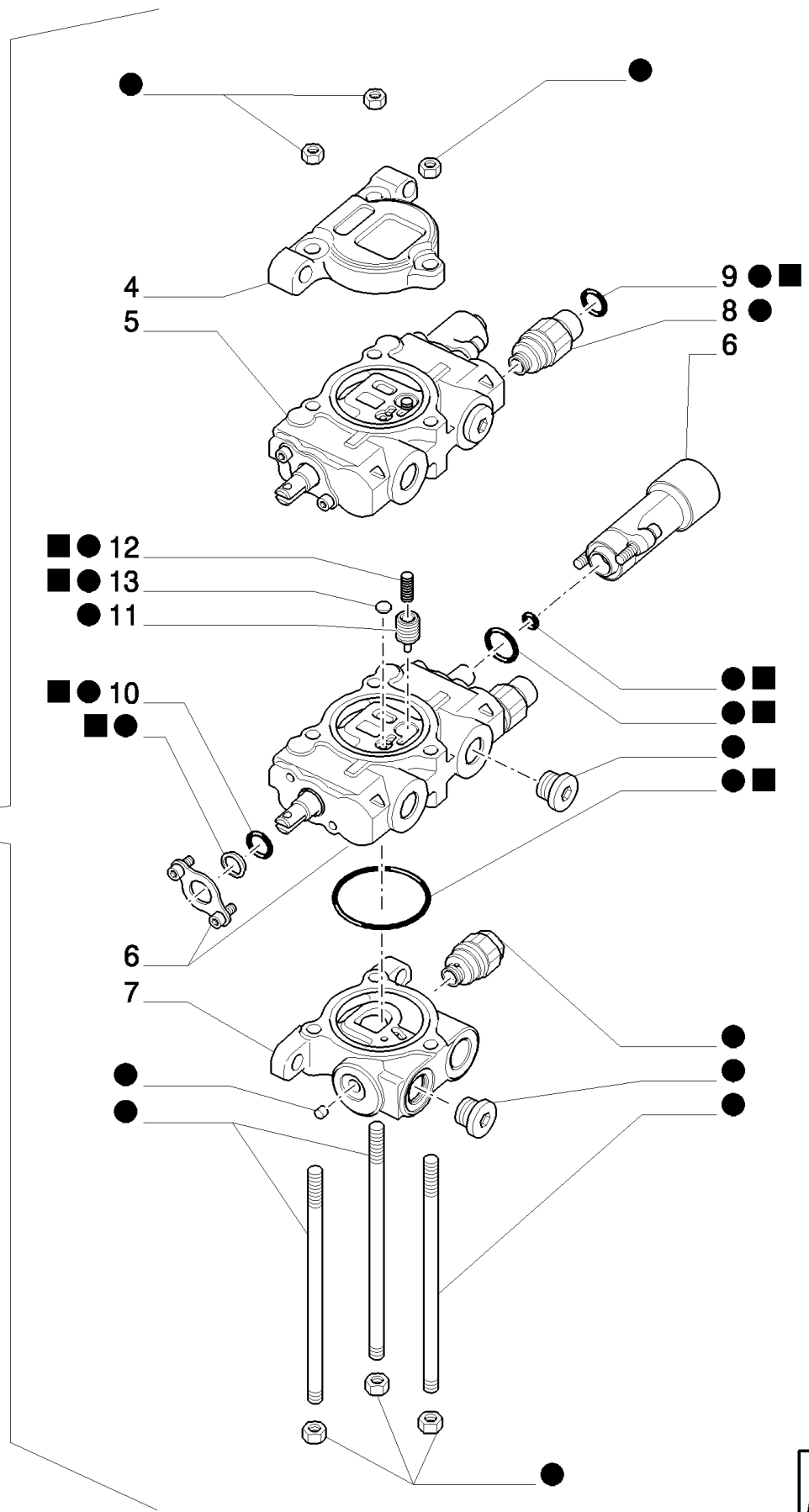
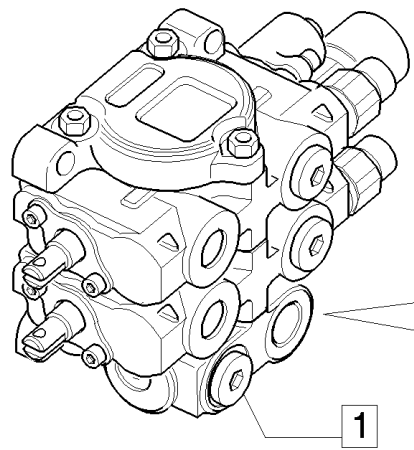
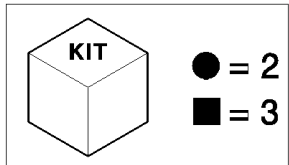
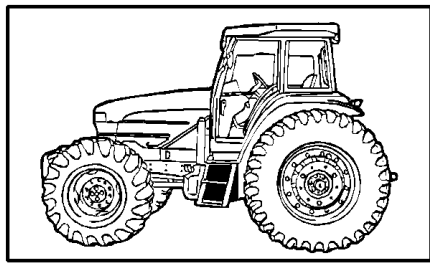


## MXM155 CASE IH TRACTOR (6/02-)

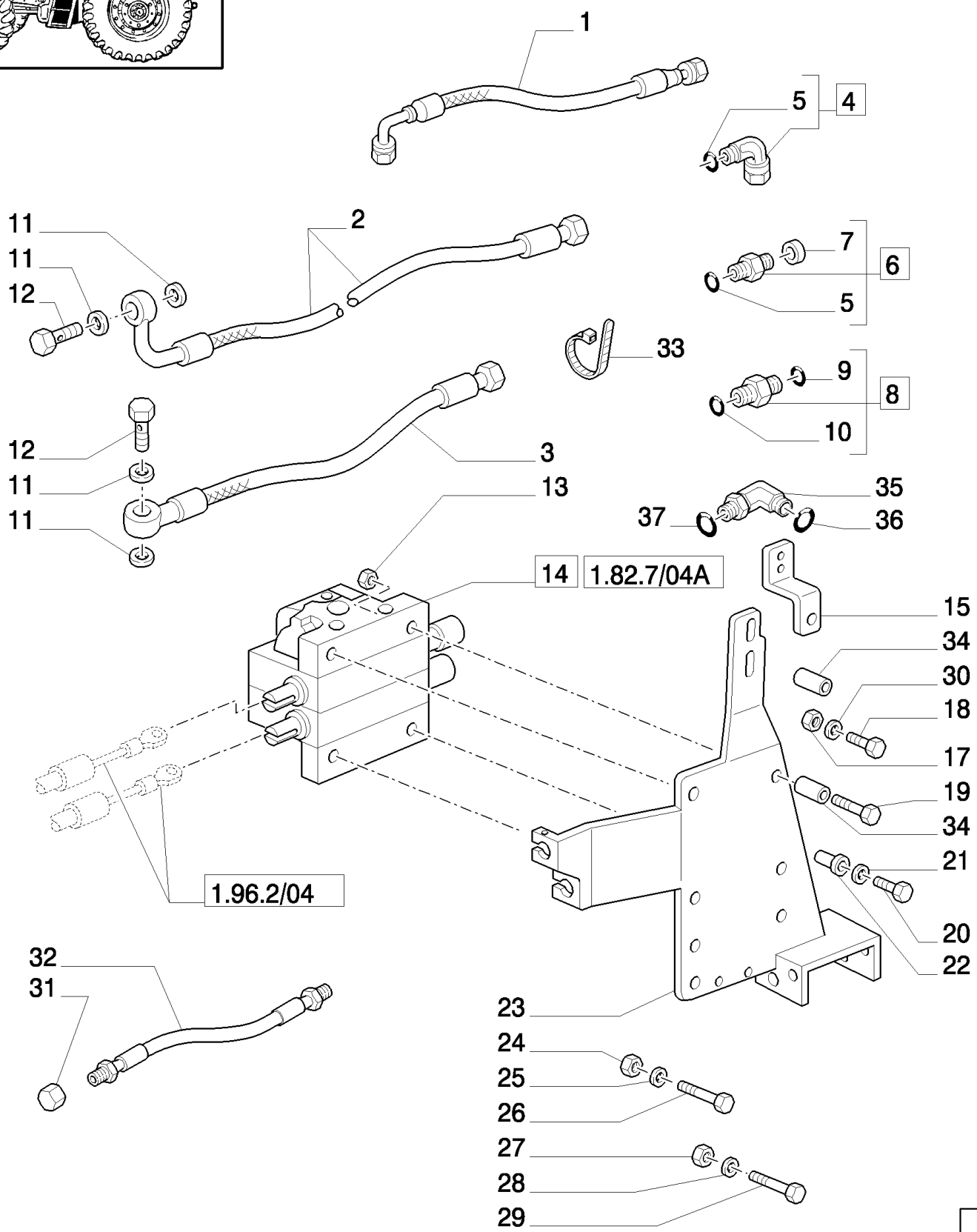
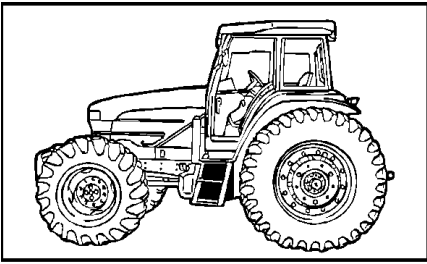
## 1.82.7/04 (VAR.440) VALVE CONTROL UNIT WITH JOYSTICK FOR LOADER

сылка	Номер детали	Кол-во	Описание
1	82021012	1	HOSE, FLEXIBLE, Hydr. Pump Load Sense, 1700 mm lg, BSN ACM259775
1	87312861	1	HOSE, FLEXIBLE, Hydr. Pump Load Sense, 1700 mm lg, ASN ACM259776
2	82023455	1	HOSE, FLEXIBLE, Valve Return, 1680 mm lg, BSN ACM259775
2	87312890	1	HOSE, FLEXIBLE, Valve Return, 1680 mm lg, ASN ACM259776
3	82033358	1	HOSE, FLEXIBLE, Valve Supply, Lg=1205mm
4	82020198	1	ELBOW, 9/16"-18
5	9825770	2	O-RING, -011, 90 Duro, .301" ID x .070" Thk,
6	82016839	1	CONNECTOR, HYD., 9/16"-18 UN-2A/M10 x 1
7	82016610	1	SEAL,
8	82019638	1	CONNECTOR, HYD., M22 x 1.5, 1"-14UN-2A
9	83901443	1	O-RING, 90 Duro, .625" ID x .070" Thk
10	14438085	1	O-RING, 19.3MM ID x 2.4 Thk,
11	5165897	4	WASHER, SEALING, 22.7 x 30 x 2
12	5112588	2	BOLT, BANJO, M22 x 1.5 x 40
13	11701721	3	NUT, M10, CI 10,
14	82019733	1	VALVE, CONTROL,
15	82022576	1	BRACKET,
16	82020123	1	SPACER, 11 x 25 x 30
17	16102311	2	NUT, Thin, M8 x 1.25, CI 04,
18	16043624	2	BOLT, Hex, M8 x 25, 8.8, Full Thd,
18	15213321	2	BOLT, Hex, M8 x 35, 8.8,
19	11106424	1	BOLT, Hex, M10 x 30, 8.8, Full Thd,
19	16040821	1	BOLT, Hex, M10 x 40, 8.8, Full Thd,
19	82022265	1	SCREW, M10 x 1.5 x 30
20	15971424	1	BOLT, Hex, M10 x 1.25 x 80, 8.8,
20	15971624	1	BOLT, Hex, M10 x 1.25 x 90, 8.8,
21	12626204	2	WASHER, M10 x 25 x 3,
22	82009429	1	BUSHING,
23	82022245	1	BRACKET,
24	80100038	1	NUT, LOCK, Prevailing Torque, CL 8, M12 x 1.75
25	86511324	1	WASHER, M12 x 24 x 2.5,
26	11114231	1	BOLT, Hex, M12 x 100, 10.9,
27	14048221	1	NUT, LOCK, M8 x 1.25, CI 10,
28	12646704	1	WASHER, M8 x 20 x 2,
29	16046131	1	BOLT, Hex, M8 x 100, 10.9,
30	14496504	2	WASHER, M8 x 17 x 1.6,
31	5120607	1	SPACER, M10 x 20 x 12
32	263117	1	STRAP, CABLE, .14" x 11 1/2",

D5145 Serial N°ACM259776



сылка	Номер детали	Кол-во	Описание
1	82019733	1	VALVE, CONTROL, Assy
2	82039635	1	KIT, SERVICE,
3	82034757	1	KIT, SEALS,
4	82030637	1	VALVE SECTION, HYD, Outlet
5	82030635	1	VALVE, HYDRAULIC,
6	82030634	1	VALVE, HYDRAULIC, Assy
7	82030632	1	VALVE SECTION, HYD, Inlet
8	86582451	2	CONNECTOR, HYD.,
9	14453181	2	O-RING, -014, CI 7, .489" ID x .070" Thk,
10	14457180	4	O-RING, -113, 70 Duro, .549" ID x .103" Thk,
11	75289566	2	SPOOL,
12	75289565	2	SPRING,
13	75312804	1	DISC,



## MXM155 CASE IH TRACTOR (6/02- )

## 1.82.7/06 (VAR.440/2) VALVE CONTROL UNIT WITH JOYSTICK FOR LOADER W/CAB SUSP.

сылка	Номер детали	Кол-во	Описание
1	82021012	1	HOSE, FLEXIBLE, Hydr. Pump Load Sense, 1700 mm lg, BSN ACM259775
1	87312681	1	HOSE, FLEXIBLE, Hydr. Pump Load Sense, 1700 mm lg, ASN ACM259776
2	82023455	1	HOSE, FLEXIBLE, Valve Return, 1680 mm lg, BSN ACM259775
2	87312890	1	HOSE, FLEXIBLE, Valve Return, 1680 mm lg, ASN ACM259776
3	82028272	1	HOSE, FLEXIBLE, Valve Supply, 735 mm lg, MXM120, MXM130, MXM140, MXM155
3	82028168	1	HOSE, FLEXIBLE, 1360 mm lg, MXM175, MXM190
4	82020198	1	ELBOW, 9/16"-18
5	9825770	2	O-RING, -011, 90 Duro, .301" ID x .070" Thk,
6	82016839	1	CONNECTOR, HYD., 9/16"-18 UN-2A/M10 x 1
7	82016610	1	SEAL,
8	82019638	1	CONNECTOR, HYD., M22 x 1.5, 1"-14UN-2A, MXM120, MXM130, MXM140, MXM155
9	14438085	1	O-RING, 19.3MM ID x 2.4 Thk, MXM120, MXM130, MXM140, MXM155
10	83901443	1	O-RING, 90 Duro, .625" ID x .070" Thk, MXM120, MXM130, MXM140, MXM155
11	5165897	4	WASHER, SEALING, 22.7 x 30 x 2
12	5112588	2	BOLT, BANJO, M22 x 1.5 x 40
13	11701721	3	NUT, M10, CI 10,
14	82019733	1	VALVE, CONTROL,
15	82027947	1	BRACKET,
16	82020123	1	SPACER, 11 x 25 x 30
17	16102311	2	NUT, Thin, M8 x 1.25, CI 04,
18	16043624	2	BOLT, Hex, M8 x 25, 8.8, Full Thd,
18	15213321	2	BOLT, Hex, M8 x 35, 8.8, MXM120, MXM130, MXM140, MXM155
19	11106424	4	BOLT, Hex, M10 x 30, 8.8, Full Thd,
19	16040821	1	BOLT, Hex, M10 x 40, 8.8, Full Thd,
19	82022265	1	SCREW, M10 x 1.5 x 30
20	15971424	1	BOLT, Hex, M10 x 1.25 x 80, 8.8,
20	15971624	1	BOLT, Hex, M10 x 1.25 x 90, 8.8,
21	12626204	2	WASHER, M10 x 25 x 3,
22	82009429	1	BUSHING,
23	82022295	1	BRACKET, MXM120, MXM130, MXM140, MXM155
23	82022245	1	BRACKET, MXM175, MXM190
24	80100038	1	NUT, LOCK, Prevailing Torque, CL 8, M12 x 1.75
25	86511324	1	WASHER, M12 x 24 x 2.5,
26	11114231	1	BOLT, Hex, M12 x 100, 10.9,
27	14048221	1	NUT, LOCK, M8 x 1.25, CI 10,
28	12646704	1	WASHER, M8 x 20 x 2,
29	16046131	1	BOLT, Hex, M8 x 100, 10.9,
30	14496504	2	WASHER, M8 x 17 x 1.6,
31	83987627	1	CAP, 1"-14
32	82028309	1	HOSE, FLEXIBLE, 1"-14 UNF - M22 x 1.5, 400 mm lg, -C5145
32	87312886	1	HOSE, FLEXIBLE, Valve Supply, Rear, 1"-14 UNF - M22 x 1.5, 470 mm lg, D5145-
33	263117	1	STRAP, CABLE, .14" x 11 1/2",
34	5120607	1	SPACER, M10 x 20 x 12, MXM120, MXM130, MXM140, MXM155
35	86579697	1	ELBOW, 90e, 1 3/16"-12 ORFS x M27 x 2 ORB, MXM175, MXM190
36	89991976	1	O-RING,

D5145 Serial N°ACM259776

MXM155 CASE IH TRACTOR (6/02- )

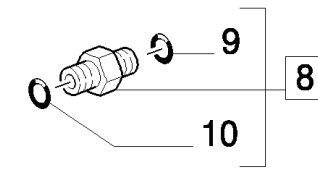
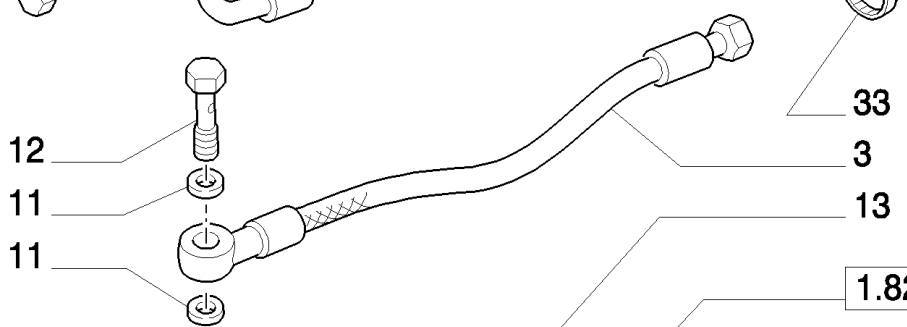
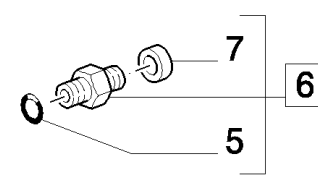
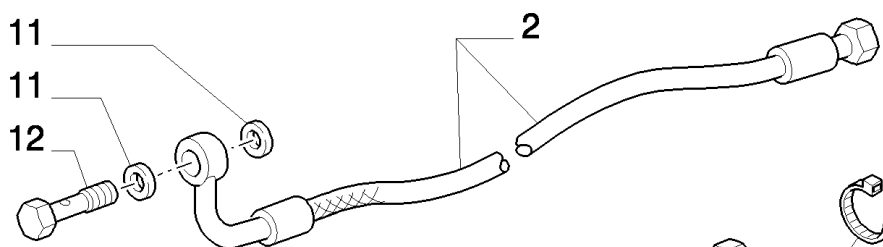
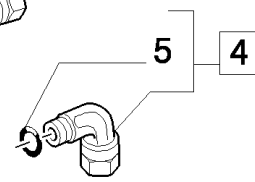
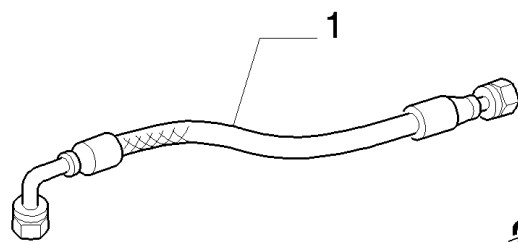
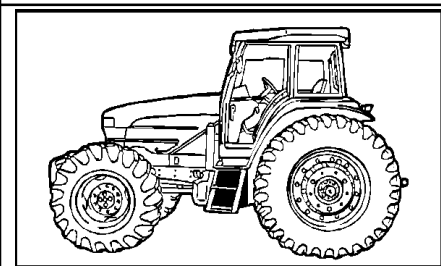
1.82.7/06 (VAR.440/2) VALVE CONTROL UNIT WITH JOYSTICK FOR LOADER W/CAB SUSP.

сылка	Номер детали	Кол-во	Описание
-------	--------------	--------	----------

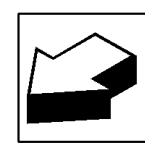
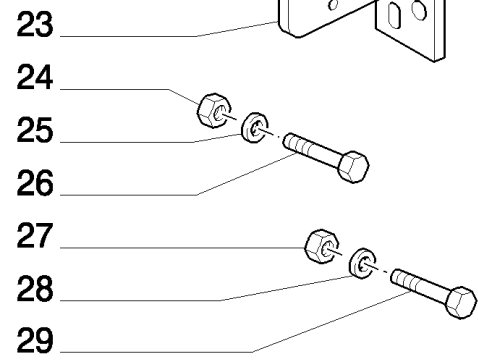
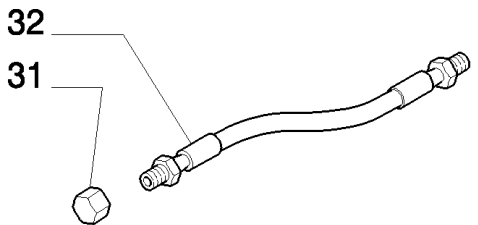
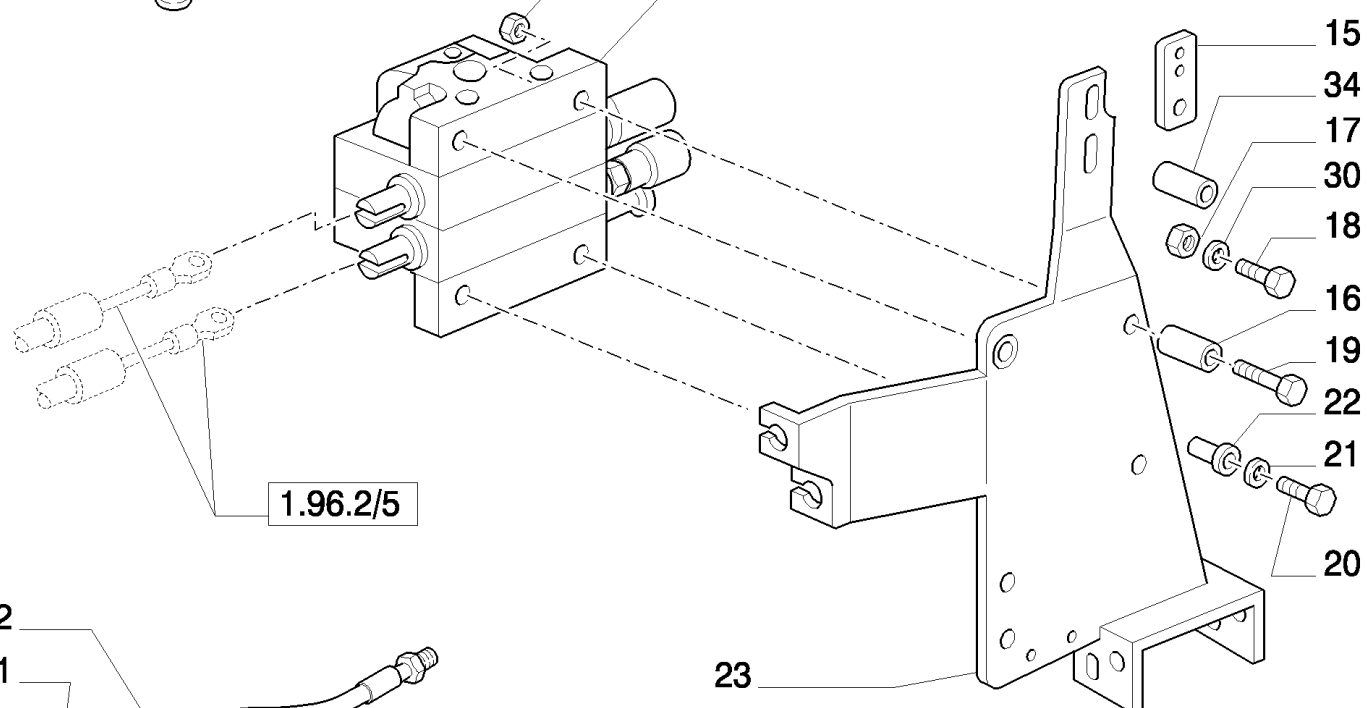
37	86598103	1	O-RING, CI 6, 23.6MM ID x 2.9 Thk,
----	----------	---	------------------------------------

D5145 Serial N°ACM259776





1.82.7/07A 14

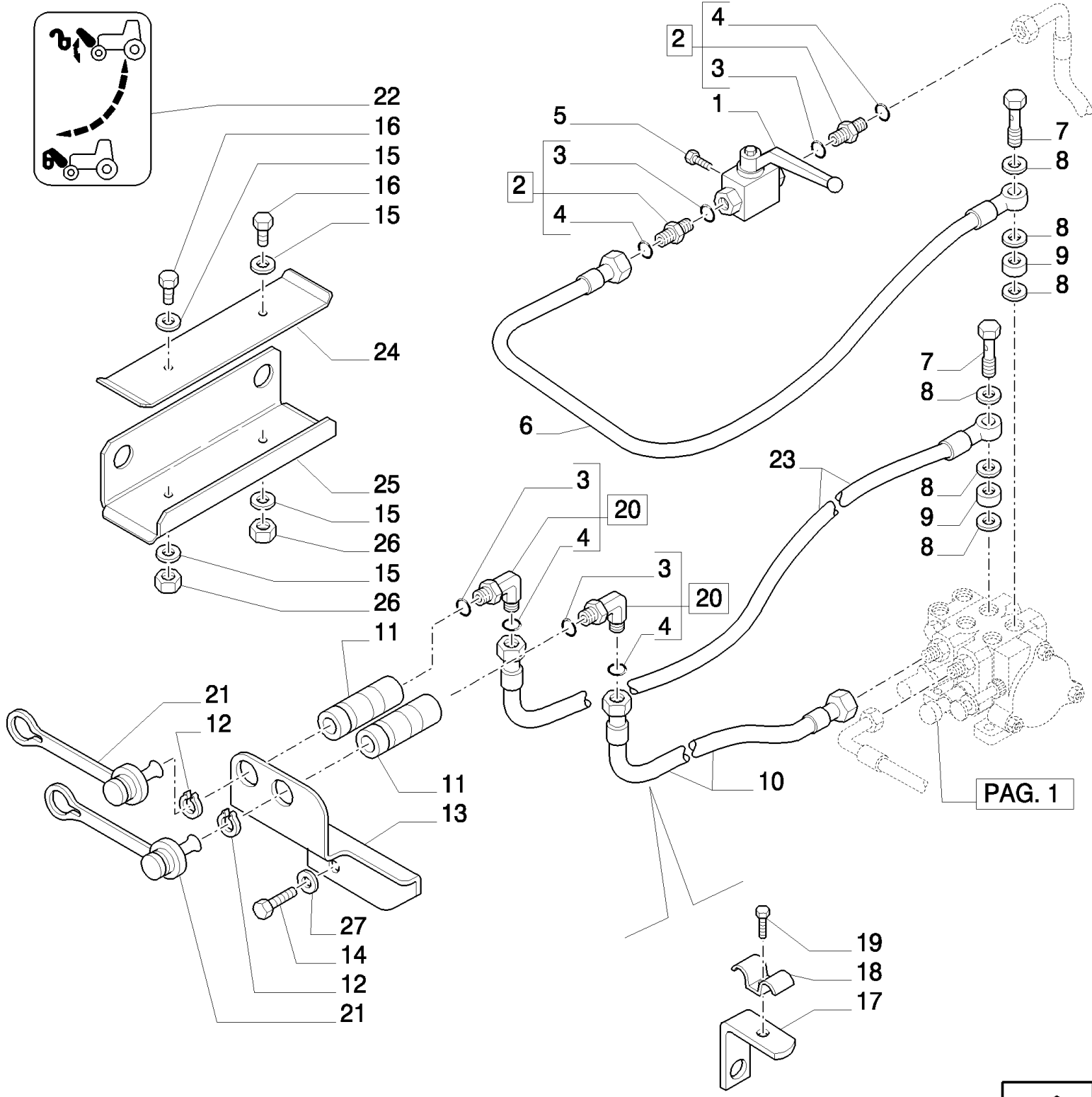
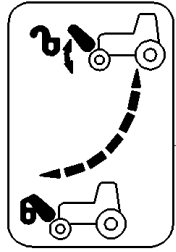
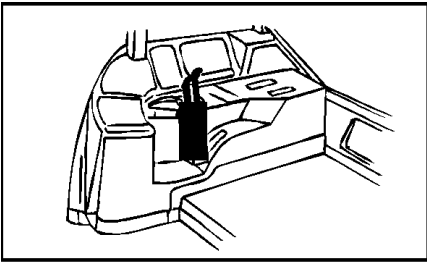


## MXM155 CASE IH TRACTOR (6/02- )

## 1.82.7/07(01) (VAR.444) CONTROL VALVES WITH JOYSTICK FOR FRONT LIFT AND PIPES

сылка	Номер детали	Кол-во	Описание
1	82021012	1	HOSE, FLEXIBLE, Hydr. Pump Load Sense, 1700 mm lg, BSN ACM259775
1	87312861	1	HOSE, FLEXIBLE, Hydr. Pump Load Sense, 1700 mm lg, ASN ACM259776
2	82023455	1	HOSE, FLEXIBLE, Valve Return, 1680 mm lg, BSN ACM259775
2	87312890	1	HOSE, FLEXIBLE, Valve Return, 1680 mm lg, ASN ACM259776
3	82028272	1	HOSE, FLEXIBLE, Valve Supply, 735 mm lg
4	82020198	1	ELBOW, 9/16"-18
5	9825770	2	O-RING, -011, 90 Duro, .301" ID x .070" Thk,
6	82016839	1	CONNECTOR, HYD., 9/16"-18 UN-2A/M10 x 1
7	82016610	1	SEAL,
8	82019638	1	CONNECTOR, HYD., M22 x 1.5, 1"-14UN-2A
9	83901443	1	O-RING, 90 Duro, .625" ID x .070" Thk
10	14438085	1	O-RING, 19.3MM ID x 2.4 Thk,
11	5165897	4	WASHER, SEALING, 22.7 x 30 x 2
12	5112588	2	BOLT, BANJO, M22 x 1.5 x 40
13	11701721	3	NUT, M10, CI 10,
14	82019734	1	VALVE, CONTROL,
15	82022576	1	BRACKET,
16	82020123	1	SPACER, 11 x 25 x 30
17	16102311	2	NUT, Thin, M8 x 1.25, CI 04,
18	16043624	2	BOLT, Hex, M8 x 25, 8.8, Full Thd,
18	15213321	1	BOLT, Hex, M8 x 35, 8.8,
19	11106424	4	BOLT, Hex, M10 x 30, 8.8, Full Thd,
19	82022265	1	SCREW, M10 x 1.5 x 30
20	15971424	1	BOLT, Hex, M10 x 1.25 x 80, 8.8,
20	15971624	1	BOLT, Hex, M10 x 1.25 x 90, 8.8,
21	12626204	2	WASHER, M10 x 25 x 3,
22	82009429	1	BUSHING,
23	82022245	1	BRACKET,
24	80100038	1	NUT, LOCK, Prevailing Torque, CL 8, M12 x 1.75
25	86511324	1	WASHER, M12 x 24 x 2.5,
26	11114231	1	BOLT, Hex, M12 x 100, 10.9,
27	14048221	1	NUT, LOCK, M8 x 1.25, CI 10,
28	12646704	1	WASHER, M8 x 20 x 2,
29	16046131	1	BOLT, Hex, M8 x 100, 10.9,
30	14496504	4	WASHER, M8 x 17 x 1.6,
31	83987627	1	CAP, 1"-14 UNF
32	82028309	1	HOSE, FLEXIBLE, 1"-14 UNF - M22 x 1.5, 470 mm lg, -C5145
32	87312886	1	HOSE, FLEXIBLE, Valve Supply, Rear, 1"-14 UNF - M22 x 1.5, 470 mm lg, D5145-
33	263117	1	STRAP, CABLE, .14" x 11 1/2",
34	5120607	2	SPACER, M10 x 20 x 12

D5145 Serial N°ACM259776



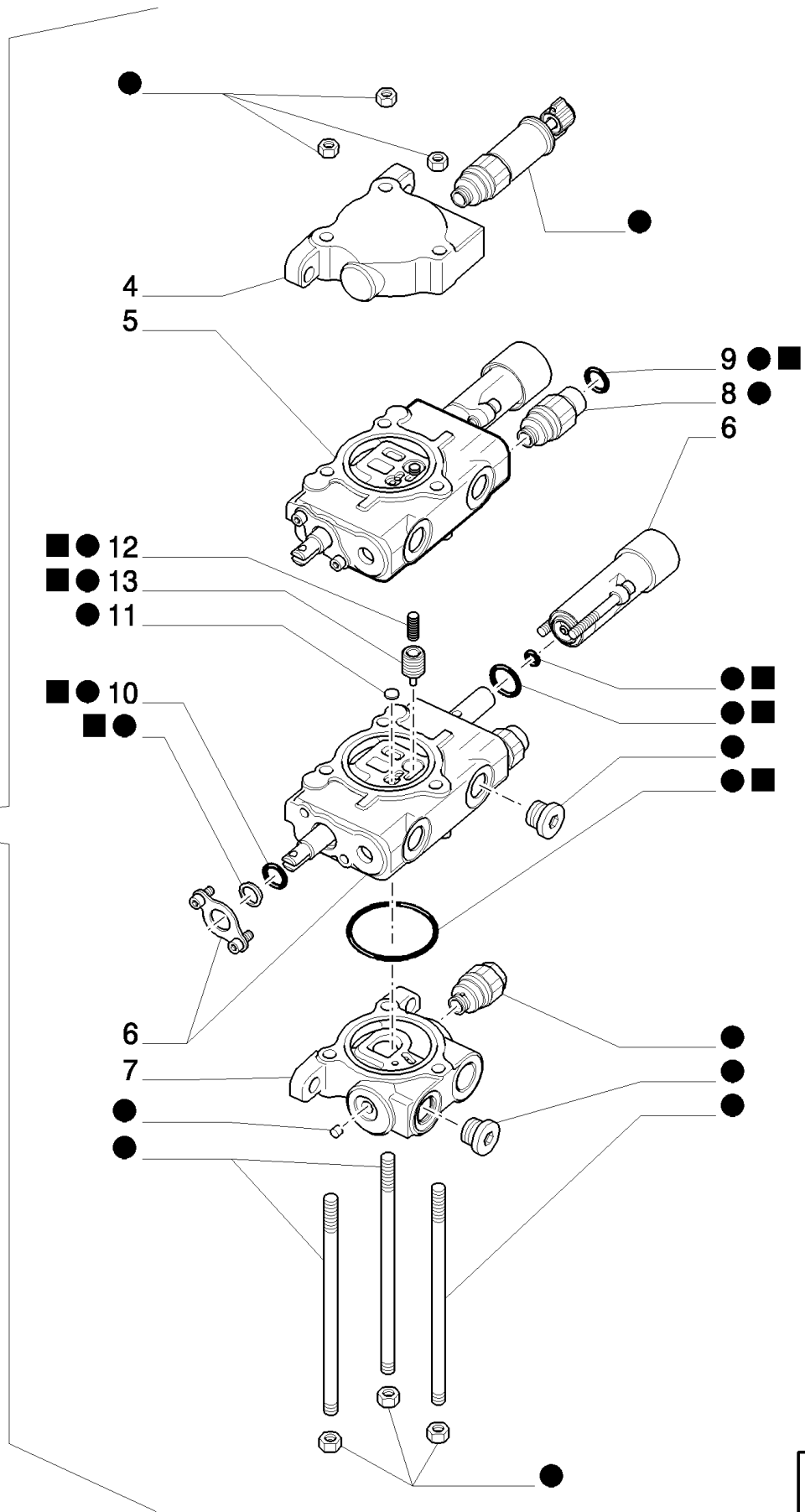
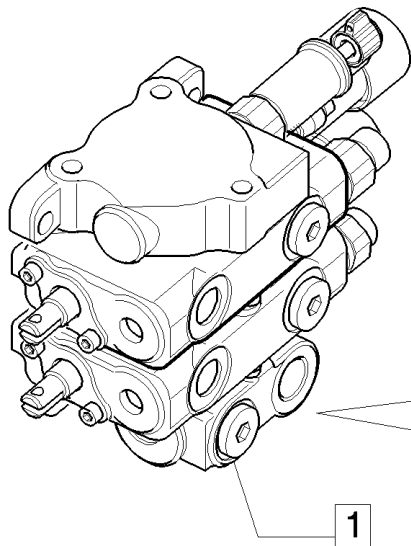
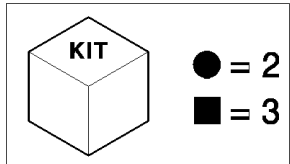
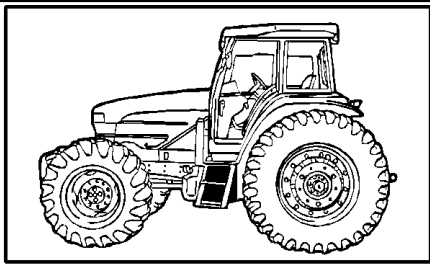
PAG. 1



## MXM155 CASE IH TRACTOR (6/02- )

## 1.82.7/07(02) (VAR.444) CONTROL VALVES WITH JOYSTICK FOR FRONT LIFT AND PIPES

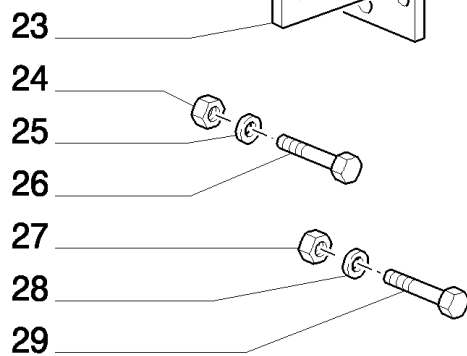
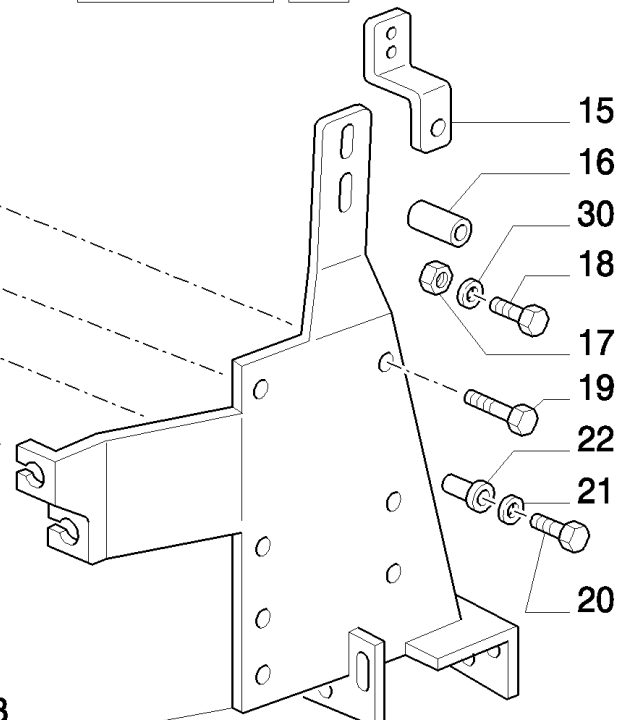
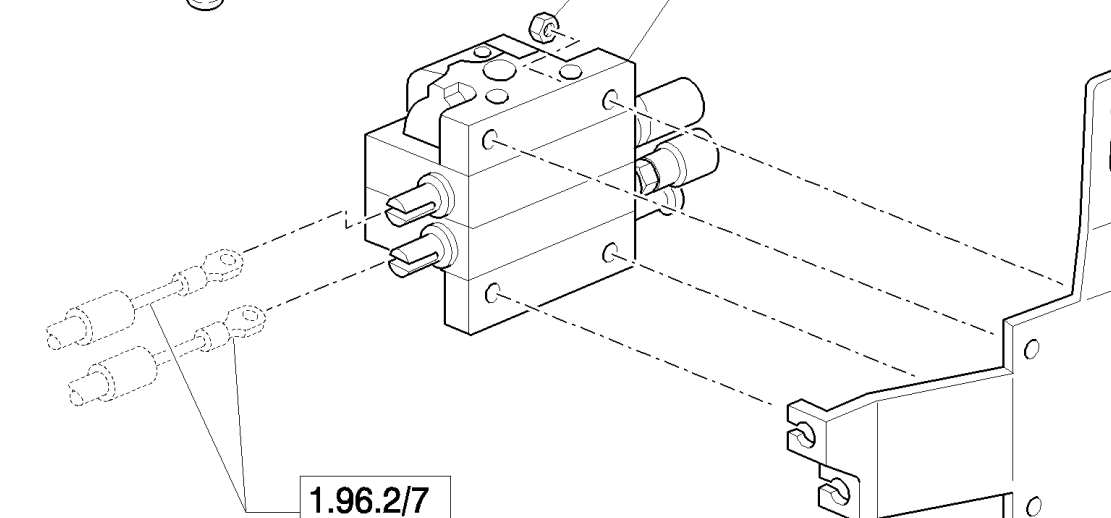
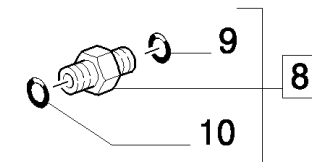
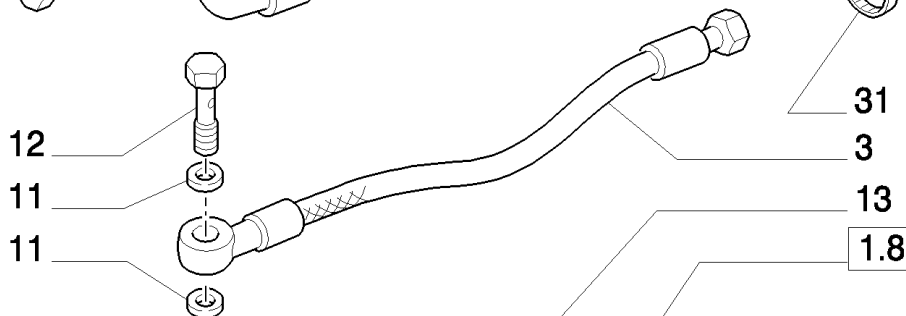
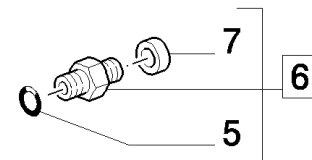
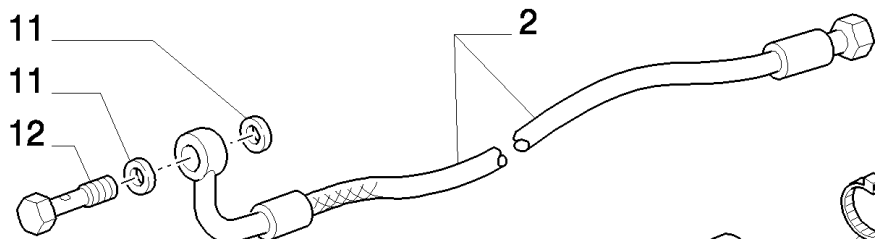
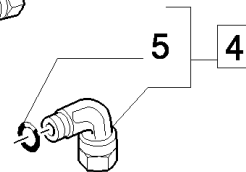
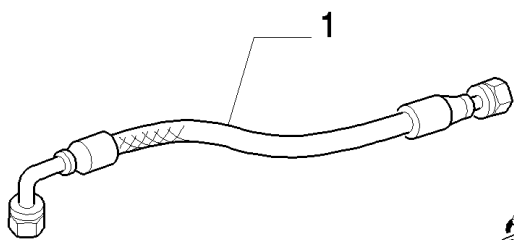
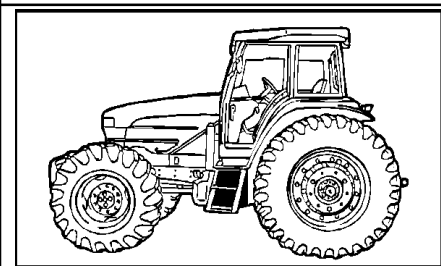
сылка	Номер детали	Кол-во	Описание
1	82021833	1	VALVE, SHUT-OFF,
2	5185524	2	CONNECTOR, HYD., 1"-14, G1/2"-14
3	5135738	4	O-RING, -115, CI 9, .674" ID x .103" Thk,
4	5185512	4	O-RING, M15.6 ID x 1.78 Thk
5	10977821	2	BOLT, Hex, M5 x 16, 8.8, Full Thd,
6	82020489	1	HOSE, FLEXIBLE, Mid Mount Valve to Shut Off
7	82020490	2	BOLT, BANJO, M18 x 1.5
8	5167640	6	WASHER, SEALING,
9	82020496	2	SPACER, 18 x 26 x 6
10	82023616	1	HOSE, FLEXIBLE, Mid Mount Valve to Coupler
11	82020499	2	COUPLING, QUICK, MALE,
12	82854996	4	SPRING,
13	82027407	1	BRACKET,
14	11124421	1	BOLT, Hex, M20 x 40, 8.8,
15	14496404	4	WASHER, LOCK, M6 x 12.5
16	15212521	2	BOLT, Hex, M6 x 35, 8.8, Full Thd,
17	82023661	1	BRACKET,
18	82020602	1	BRACKET,
19	10902224	3	BOLT, Hex, M6 x 16, 8.8, Full Thd,
20	5185563	2	ELBOW,
21	5179576	2	PLUG, Green, Std.
22	82022067	1	DECAL,
23	82023630	1	HOSE, FLEXIBLE, Mid Mount Valve to Coupler
24	5195847	1	CLAMP,
25	5195848	1	SUPPORT,
26	80353308	2	NUT, M6
27	14497101	1	WASHER, M20 x 37 x 3,



MXM155 CASE IH TRACTOR (6/02- )

1.82.7/07A (VAR.444,714,714/1) 2 CONTROL VALVES WITH MECHANICAL JOYSTICK FOR FRONT LIFT - PARTS COMPONENTS

сылка	Номер детали	Кол-во	Описание
1	82019734	1	VALVE, CONTROL, Assy
2	82039634	1	KIT, REPAIR,
3	82034759	1	KIT, SEALS,
4	82039640	1	VALVE SECTION, HYD, Outlet
5	82039639	1	VALVE, CONTROL,
6	82039638	1	VALVE, CONTROL, Assy
7	82039637	1	VALVE SECTION, HYD, Inlet
8	86582451	2	CONNECTOR, HYD.,
9	14453181	2	O-RING, -014, CI 7, .489" ID x .070" Thk,
10	14457180	4	O-RING, -113, 70 Duro, .549" ID x .103" Thk,
11	75312804	1	DISC,
12	75289565	1	SPRING,
13	75289566	1	SPOOL,



1.96.2/7

1.82.7/07A 14



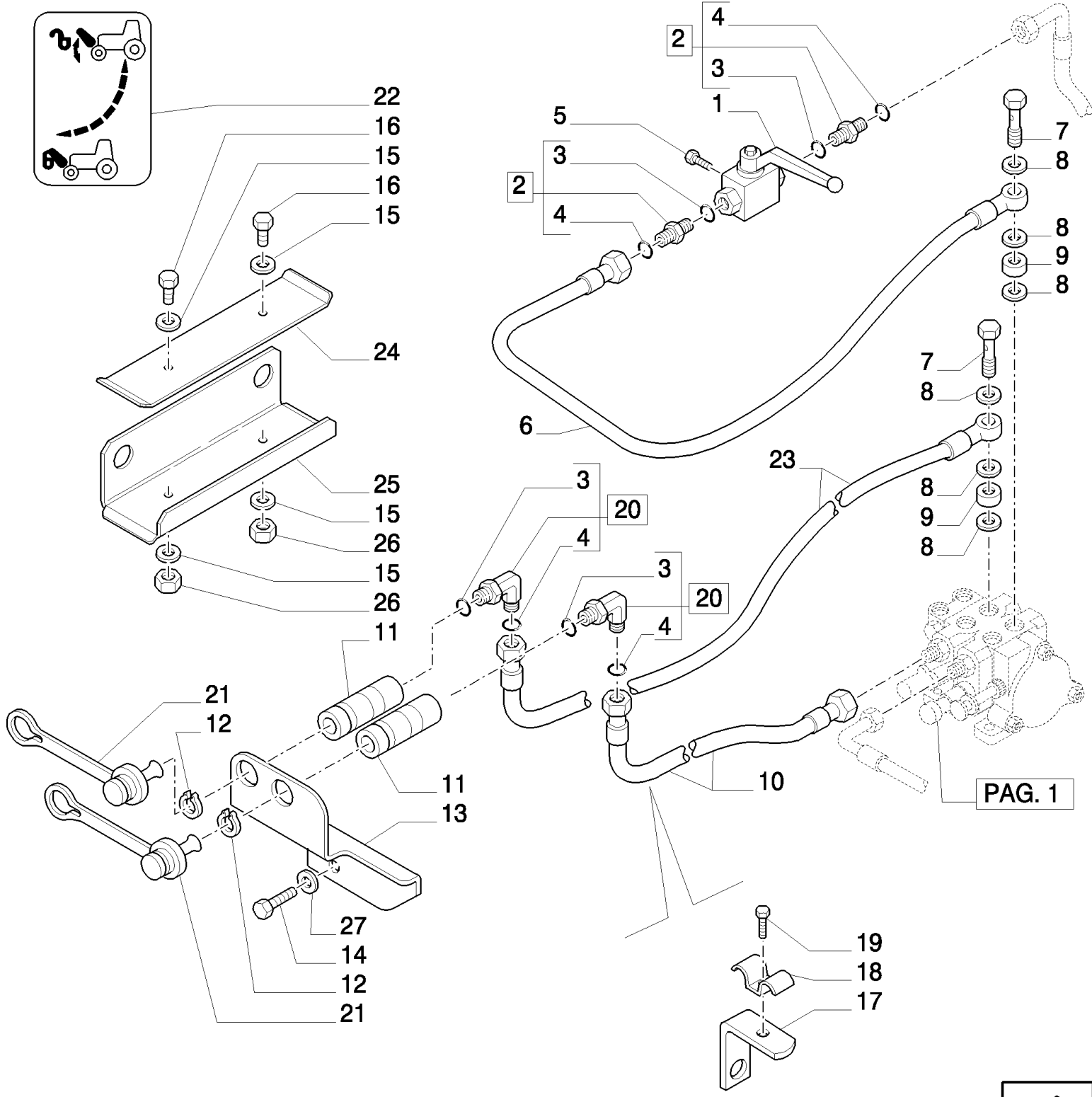
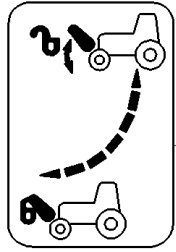
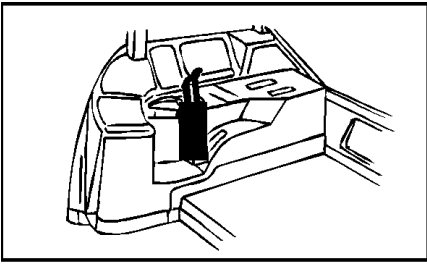
## MXM155 CASE IH TRACTOR (6/02-)

## 1.82.7/09(01) (VAR.714/1) CONTROL VALVES WITH JOYSTIC FOR FRONT LIFT WITH CAB AND SUSPENSIONS - PIPES

сылка	Номер детали	Кол-во	Описание
1	82021012	1	HOSE, FLEXIBLE, Hydr. Pump Load Sense, 1700 mm lg, BSN ACM259775
1	87312861	1	HOSE, FLEXIBLE, Hydr. Pump Load Sense, 1700 mm lg, ASN ACM259776
2	82023455	1	HOSE, FLEXIBLE, Valve Return, 1680 mm lg, BSN ACM259775
2	87312890	1	HOSE, FLEXIBLE, Valve Return, 1680 mm lg, ASN ACM259776
3	82028272	1	HOSE, FLEXIBLE, Valve Supply, 735 mm lg
4	82020198	1	ELBOW, 9/16"-18
5	9825770	2	O-RING, -011, 90 Duro, .301" ID x .070" Thk,
6	82016839	1	CONNECTOR, HYD., 9/16"-18 UN-2A/M10 x 1
7	82016610	1	SEAL,
8	82019638	1	CONNECTOR, HYD., M22 x 1.5, 1"-14UN-2A
9	83901443	1	O-RING, 90 Duro, .625" ID x .070" Thk
10	14438085	1	O-RING, 19.3MM ID x 2.4 Thk,
11	5165897	4	WASHER, SEALING, 22.7 x 30 x 2
12	5112588	2	BOLT, BANJO, M22 x 1.5 x 40
13	11701721	3	NUT, M10, CI 10,
14	82019734	1	VALVE, CONTROL,
15	82027947	1	BRACKET,
16	82020123	1	SPACER, 11 x 25 x 30
17	16102311	2	NUT, Thin, M8 x 1.25, CI 04,
18	16043624	4	BOLT, Hex, M8 x 25, 8.8, Full Thd,
18	15213321	2	BOLT, Hex, M8 x 35, 8.8,
19	11106424	4	BOLT, Hex, M10 x 30, 8.8, Full Thd,
19	82022265	2	SCREW, M10 x 1.5 x 30
20	15971424	1	BOLT, Hex, M10 x 1.25 x 80, 8.8,
20	15971624	1	BOLT, Hex, M10 x 1.25 x 90, 8.8,
21	12626204	2	WASHER, M10 x 25 x 3,
22	82009429	1	BUSHING,
23	82022295	1	BRACKET,
24	80100038	1	NUT, LOCK, Prevailing Torque, CL 8, M12 x 1.75
25	86511324	1	WASHER, M12 x 24 x 2.5,
26	11114231	1	BOLT, Hex, M12 x 100, 10.9,
27	14048221	1	NUT, LOCK, M8 x 1.25, CI 10,
28	12646704	1	WASHER, M8 x 20 x 2,
29	16046131	1	BOLT, Hex, M8 x 100, 10.9,
30	14496504	4	WASHER, M8 x 17 x 1.6,
31	83987627	1	CAP, 1"-14 UNF
32	82028309	1	HOSE, FLEXIBLE, 1"-14 UNF - M22 x 1.5, 470 mm lg, -C5145
32	87312886	1	HOSE, FLEXIBLE, Valve Supply, Rear, 1"-14 UNF - M22 x 1.5, 470 mm lg, D5145-
33	263117	1	STRAP, CABLE, .14" x 11 1/2",
34	5120607	2	SPACER, M10 x 20 x 12

D5145 Serial N°ACM259776

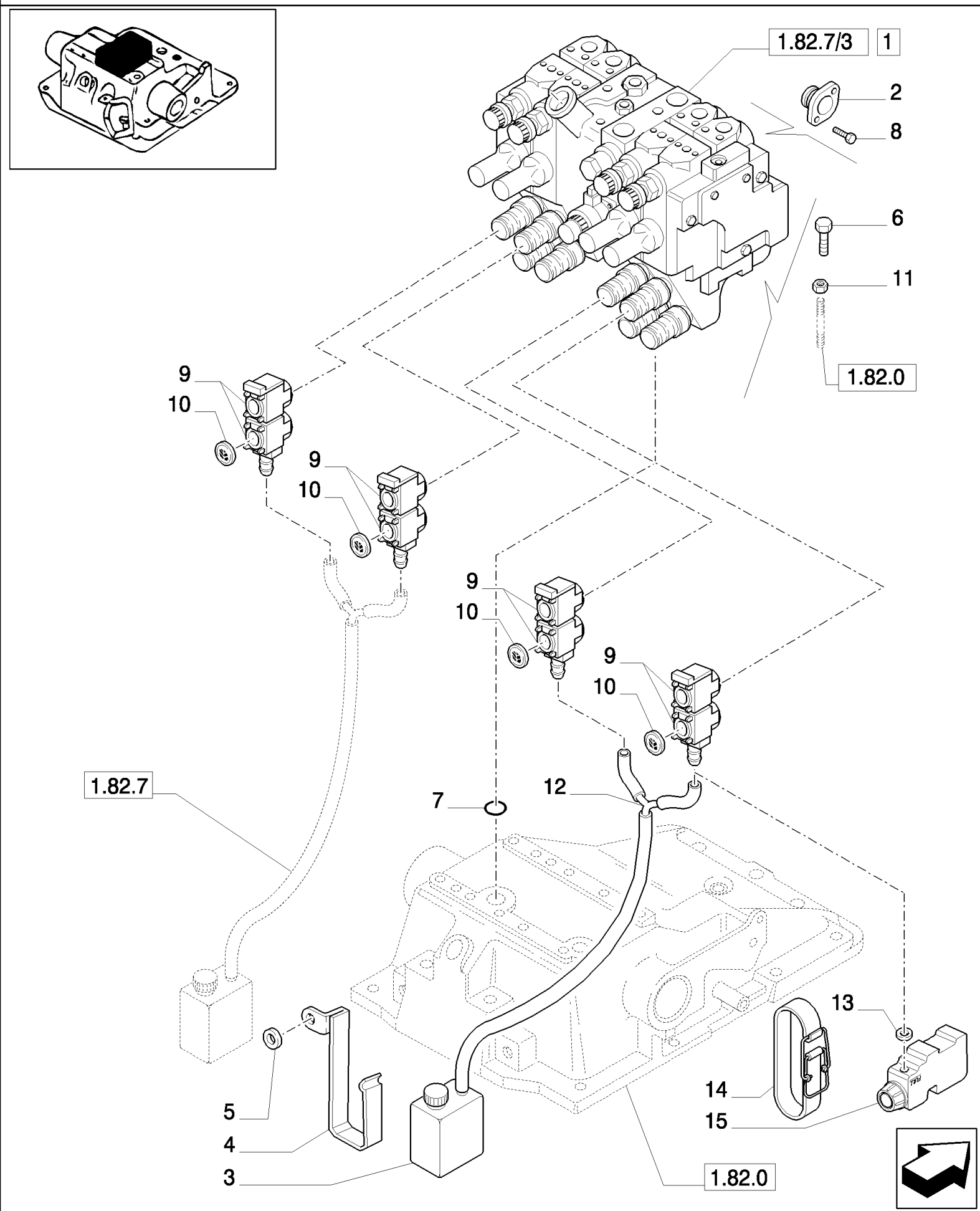




## MXM155 CASE IH TRACTOR (6/02- )

## 1.82.7/09(03) (VAR.714/1) CONTROL VALVES WITH JOYSTIC FOR FRONT LIFT WITH CAB AND SUSPENSIONS - PIPES

сылка	Номер детали	Кол-во	Описание
1	82021833	1	VALVE, SHUT-OFF,
2	5185524	2	CONNECTOR, HYD., 1"-14, G1/2"-14
3	5135738	4	O-RING, -115, CI 9, .674" ID x .103" Thk,
4	5185512	4	O-RING, M15.6 ID x 1.78 Thk
5	10977821	2	BOLT, Hex, M5 x 16, 8.8, Full Thd,
6	82020489	1	HOSE, FLEXIBLE, Mid Mount Valve to Shut Off
7	82020490	2	BOLT, BANJO, M18 x 1.5
8	5167640	6	WASHER, SEALING,
9	82020496	2	SPACER, 18 x 26 x 6
10	82023616	1	HOSE, FLEXIBLE, Mid Mount Valve to Coupler
11	82020499	2	COUPLING, QUICK, MALE,
12	82854996	4	SPRING,
13	82027407	1	BRACKET,
14	11124421	1	BOLT, Hex, M20 x 40, 8.8,
15	14496404	4	WASHER, LOCK, M6 x 12.5
16	15212521	2	BOLT, Hex, M6 x 35, 8.8, Full Thd,
17	82023661	1	BRACKET,
18	82020602	3	BRACKET,
19	10902224	3	BOLT, Hex, M6 x 16, 8.8, Full Thd,
20	5185563	2	ELBOW,
21	5179576	2	PLUG, Green, Std.
22	82022067	1	DECAL,
23	82023630	1	HOSE, FLEXIBLE, Mid Mount Valve to Coupler
24	5195847	1	CLAMP,
25	5195848	1	SUPPORT,
26	80353308	4	NUT, M6
27	14497101	1	WASHER, M20 x 37 x 3,

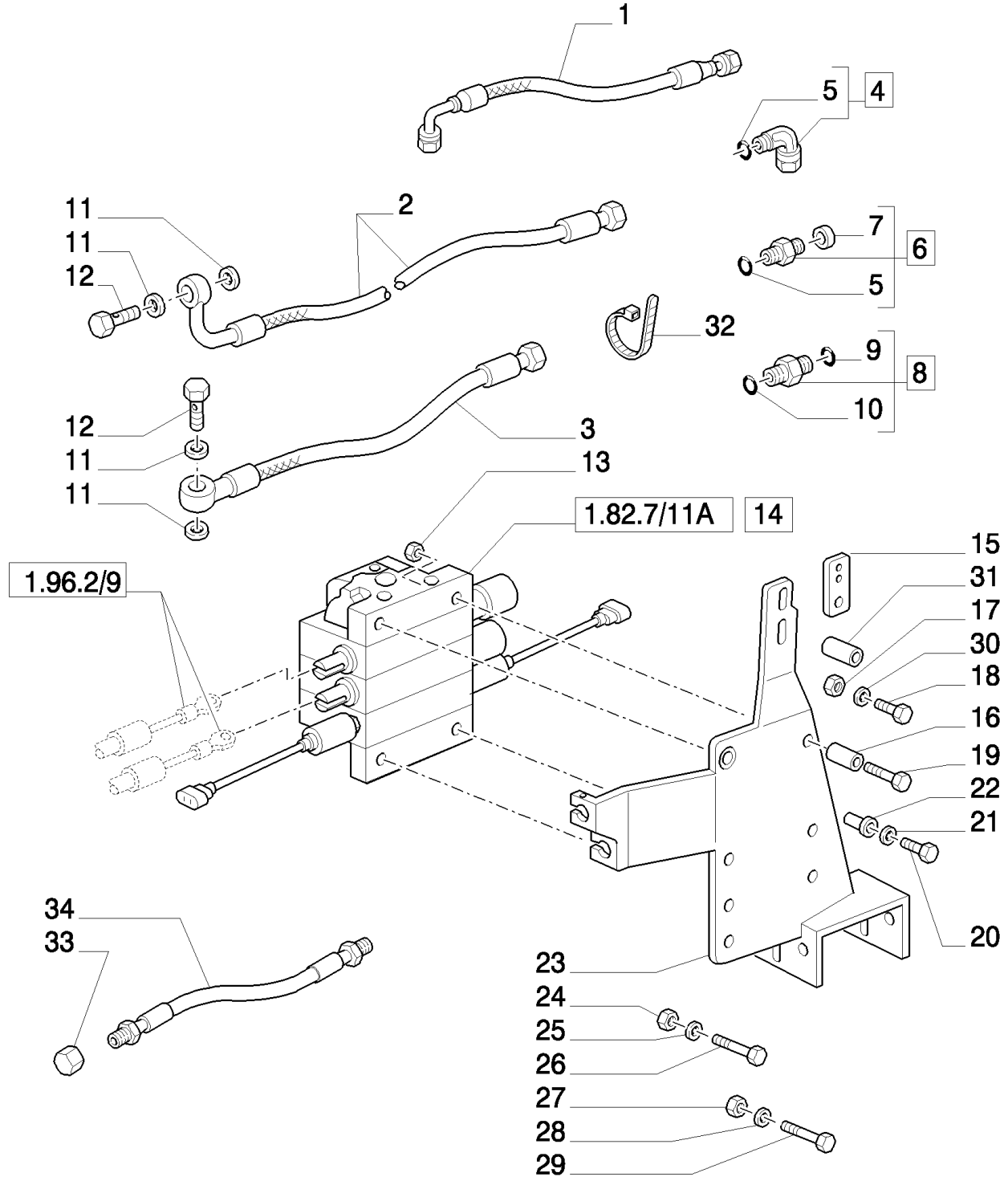
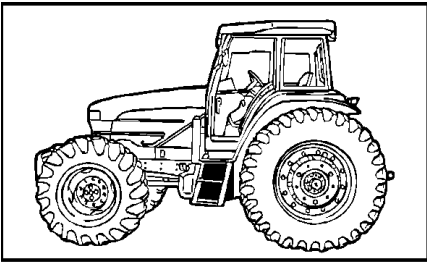


MXM155 CASE IH TRACTOR (6/02- )

1.82.7/10 (VAR.723) 4-CONTROL-VALVE BATTERY WITH JOYSTICK

сылка	Номер детали	Кол-во	Описание
1	5194804	1	VALVE, CONTROL, Assy (Bosch)
2	5189606	4	SUPPORT,
3	82025219	1	TUBE, , BSN ACM222779
4	82026191	1	BRACKET, , BSN ACM222779
5	13507701	1	WASHER, M16 x 27 x 2, , BSN ACM222779
6	16204524	2	BOLT, Hex, M10 x 35,
7	14463780	1	O-RING, -219, 70 Duro, 1.296" ID x .139" Thk,
8	14305221	8	SCREW, Hex Soc Hd, M6 x 16, 8.8,
9	5188836	4	DUST CAP,
10	82029895	8	DISC, Black
11	12164714	2	NUT, M10 x 1.25, CI 8,
12	82011330	1	FITTING, , BSN ACM222779
13	82029356	4	SEAL, , ASN ACM222780
14	82032061	4	CLIP, , ASN ACM222780
15	82029231	4	BOTTLE, , ASN ACM222780

D4948 Serial N.ACM222780

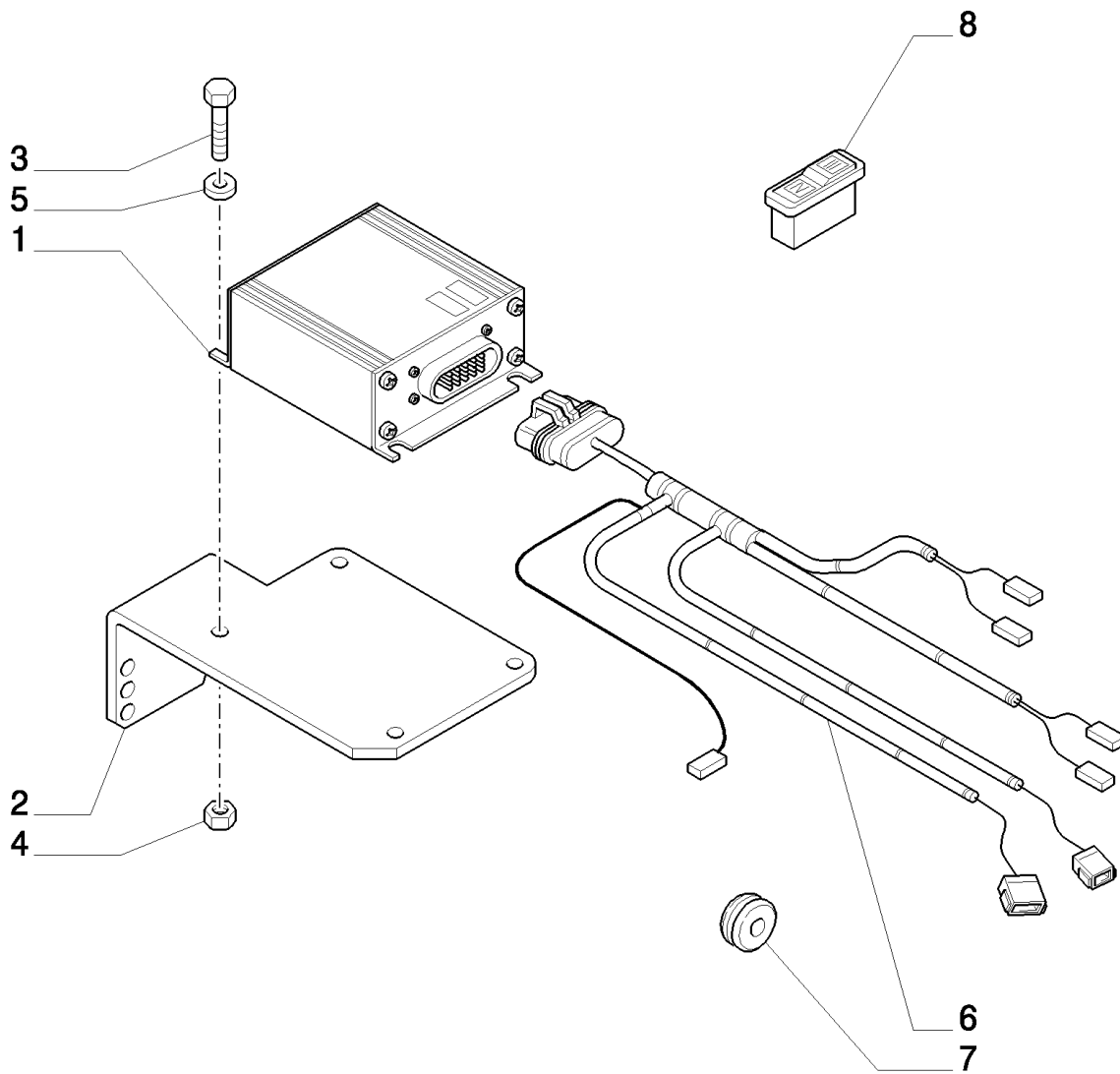
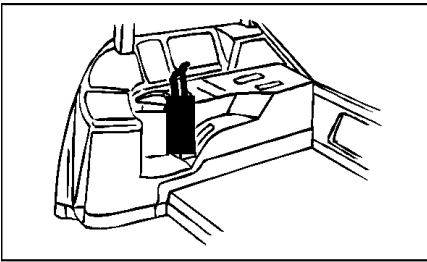


## MXM155 CASE IH TRACTOR (6/02- )

## 1.82.7/11(01) (VAR.244) 3 CONTROL VALVES WITH JOYSTICK FOR LOADER FOR FRONT LIFT

сылка	Номер детали	Кол-во	Описание
1	82021012	1	HOSE, FLEXIBLE, Hydr. Pump Load Sense, 1700 mm lg, BSN ACM259775
1	87312861	1	HOSE, FLEXIBLE, Valve Return, 1680 mm lg, ASN ACM259776
2	82023455	1	HOSE, FLEXIBLE, Valve Return, 1680 mm lg, BSN ACM259775
2	87312890	1	HOSE, FLEXIBLE, Valve Return, 1680 mm lg, ASN ACM259776
3	82028272	1	HOSE, FLEXIBLE, Valve Supply, 735 mm lg
4	82020198	1	ELBOW, 9/16"-18
5	9825770	2	O-RING, -011, 90 Duro, .301" ID x .070" Thk,
6	82016839	1	CONNECTOR, HYD., 9/16"-18 UN-2A/M10 x 1
7	82016610	1	SEAL,
8	82019638	1	CONNECTOR, HYD., M22 x 1.5, 1"-14UN-2A
9	83901443	1	O-RING, 90 Duro, .625" ID x .070" Thk
10	14438085	1	O-RING, 19.3MM ID x 2.4 Thk,
11	5165897	4	WASHER, SEALING, 22.7 x 30 x 2
12	5112588	2	BOLT, BANJO, M22 x 1.5 x 40
13	11701721	3	NUT, M10, CI 10,
14	82030383	1	VALVE, HYDRAULIC,
15	82022576	1	BRACKET,
16	82020123	1	SPACER, 11 x 25 x 30
17	16102311	2	NUT, Thin, M8 x 1.25, CI 04,
18	16043624	2	BOLT, Hex, M8 x 25, 8.8, Full Thd,
18	15213321	2	BOLT, Hex, M8 x 35, 8.8,
19	11106424	1	BOLT, Hex, M10 x 30, 8.8, Full Thd,
19	16040821	1	BOLT, Hex, M10 x 40, 8.8, Full Thd,
19	82022265	1	SCREW, M10 x 1.5 x 30
20	15971424	1	BOLT, Hex, M10 x 1.25 x 80, 8.8,
20	15971624	1	BOLT, Hex, M10 x 1.25 x 90, 8.8,
21	12626204	2	WASHER, M10 x 25 x 3,
22	82009429	1	BUSHING,
23	82022245	1	BRACKET,
24	80100038	1	NUT, LOCK, Prevailing Torque, CL 8, M12 x 1.75
25	86511324	1	WASHER, M12 x 24 x 2.5,
26	11114231	1	BOLT, Hex, M12 x 100, 10.9,
27	14048221	1	NUT, LOCK, M8 x 1.25, CI 10,
28	12646704	1	WASHER, M8 x 20 x 2,
29	16046131	1	BOLT, Hex, M8 x 100, 10.9,
30	14496504	2	WASHER, M8 x 17 x 1.6,
31	5120607	1	SPACER, M10 x 20 x 12
32	263117	1	STRAP, CABLE, .14" x 11 1/2",
33	83987627	1	CAP, 1"-14 UNF
34	82028309	1	HOSE, FLEXIBLE, 1"-14 UNF - M22 x 1.5, 470 mm lg, -C5145
34	87312886	1	HOSE, FLEXIBLE, Valve Supply, Rear, 1"-14 UNF - M22 x 1.5, 470 mm lg, D5145-

D5145 Serial N°ACM259776

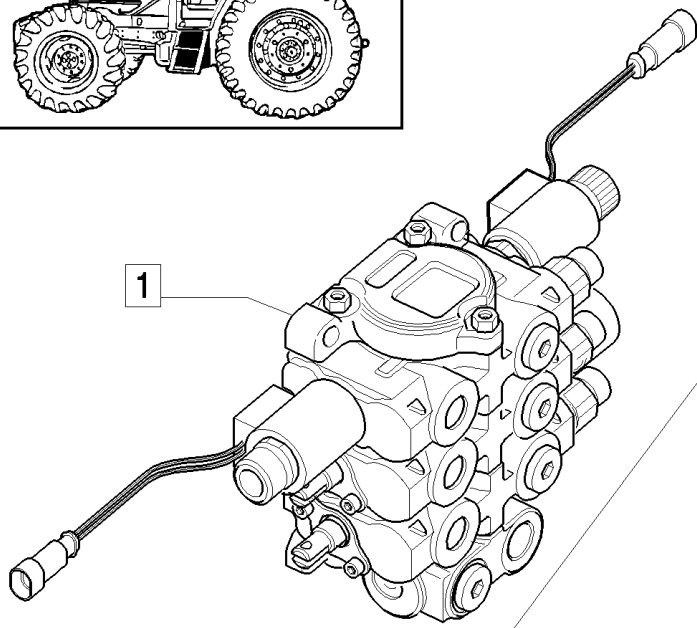
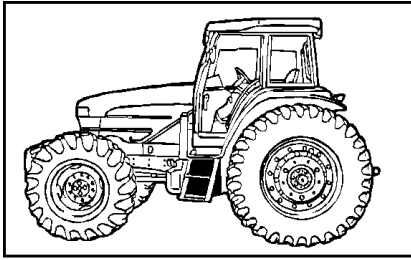


MXM155 CASE IH TRACTOR (6/02- )

1.82.7/11(02) (VAR.244) 3 CONTROL VALVES WITH JOYSTICK FOR LOADER FOR FRONT LIFT - SWITCH

сылка	Номер детали	Кол-во	Описание
1	82031402	1	ELECTRONIC UNIT, CONTROL,
2	82031404	1	BRACKET,
3	10902424	4	BOLT, Hex, M6 x 20, 8.8, Full Thd,
4	15896221	4	NUT, M6, CI 10,
5	14496404	4	WASHER, LOCK, M6 x 12.5
6	82031403	1	HARNESS, WIRE, Harness-Wiring
7	82031396	2	GROMMET,
8	82031399	1	SWITCH, Front Loader Lift





1

6

7

8

13

12


11

14

16

15

10



● = 2	▲ = 4
■ = 3	○ = 5
□ = 9	

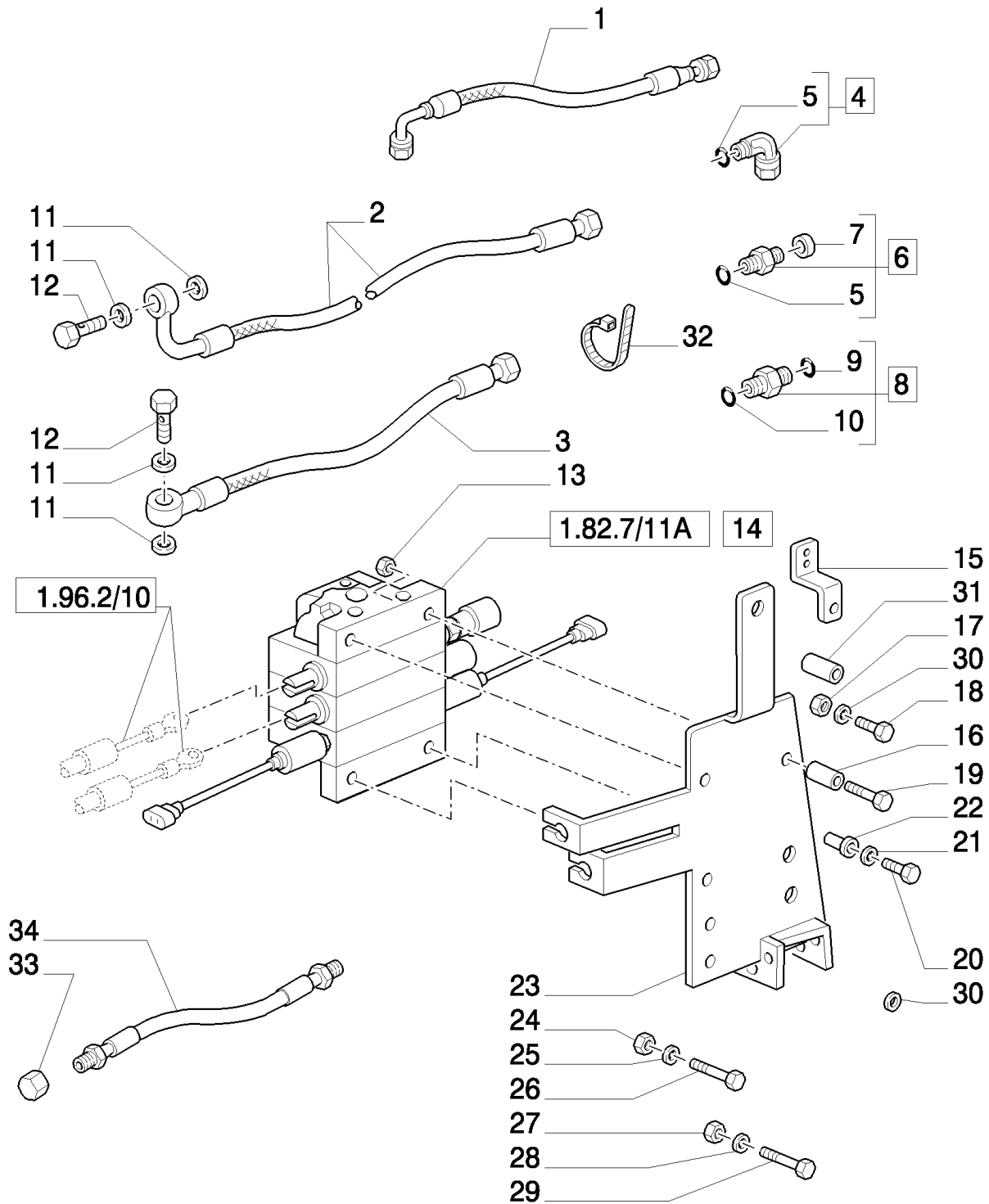
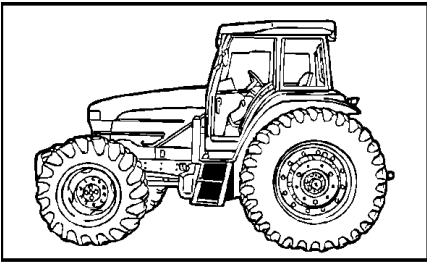
▲ ●



MXM155 CASE IH TRACTOR (6/02- )

1.82.7/11A (VAR.244-245/1) VALVE, LOADER MID MOUNT 3 SPOOL - PARTS

сылка	Номер детали	Кол-во	Описание
1	82030383	1	VALVE, HYDRAULIC, Assy
2	82039636	1	KIT, SERVICE,
3	82034760	1	KIT, SEALS,
4	86582440	1	KIT, Bolts
5	86582449	1	SOLENOID,
6	82030637	1	VALVE SECTION, HYD, Outlet
7	82030636	1	VALVE, HYDRAULIC,
8	82030635	1	VALVE, HYDRAULIC,
9	82030634	1	VALVE, HYDRAULIC, Assy
10	82030632	1	VALVE SECTION, HYD, Inlet
11	75289566	3	SPOOL,
12	75312804	2	DISC,
13	75289565	3	SPRING,
14	14457180	4	O-RING, -113, 70 Duro, .549" ID x .103" Thk,
15	86582450	1	COIL,
16	86582451	1	CONNECTOR, HYD.,

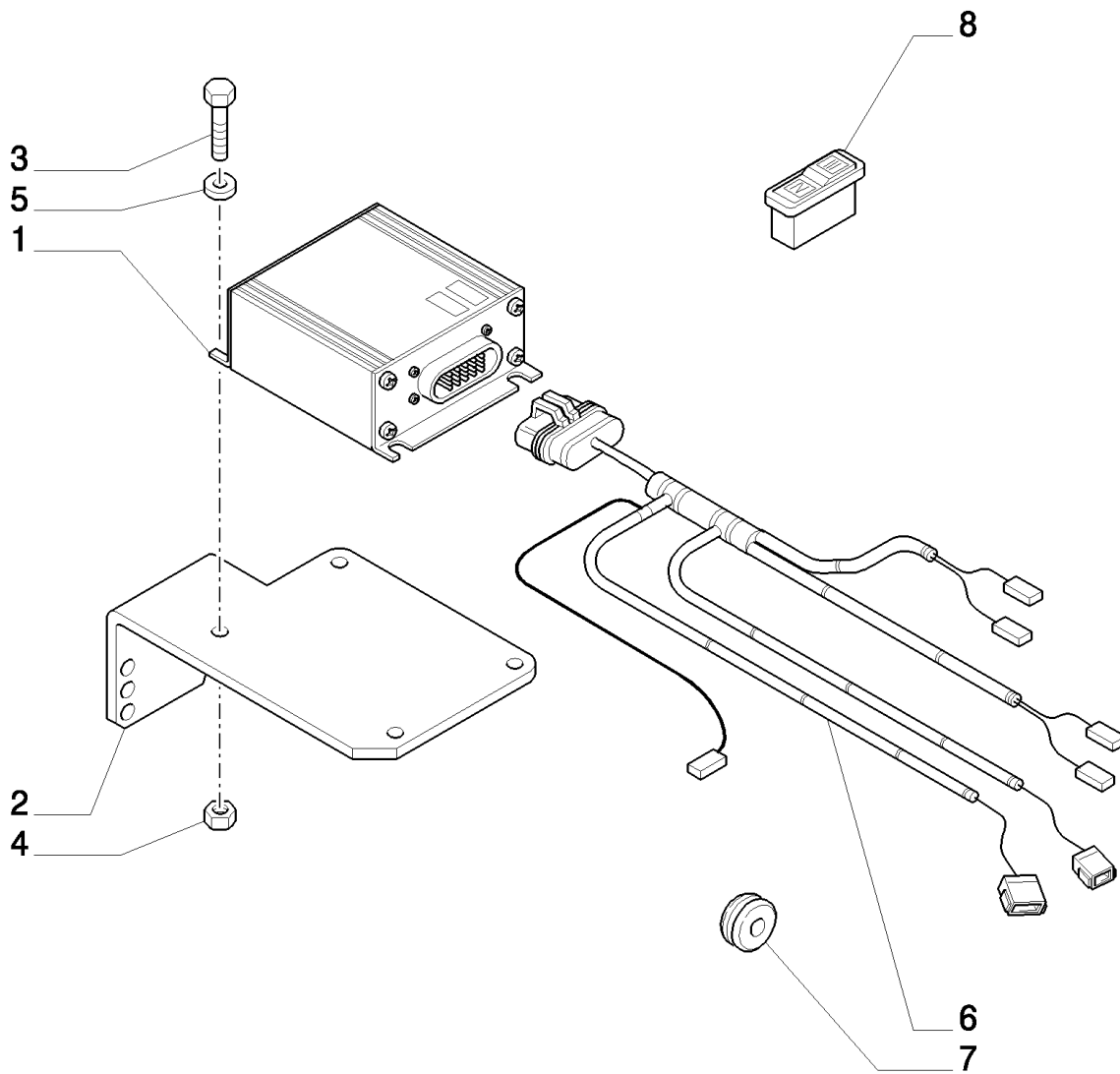
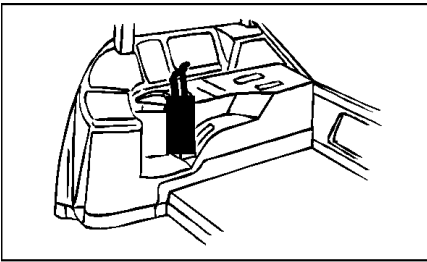


## MXM155 CASE IH TRACTOR (6/02-)

## 1.82.7/12(01) (VAR.245/1) 3 CONTROL VALVES WITH JOYSTICK WITH SPRUNG CAB - PIPES

сылка	Номер детали	Кол-во	Описание
1	82021012	1	HOSE, FLEXIBLE, Hydr. Pump Load Sense, 1700 mm lg, BSN ACM259775
1	87312861	1	HOSE, FLEXIBLE, Hydr. Pump Load Sense, 1700 mm lg, ASN ACM259776
2	82023455	1	HOSE, FLEXIBLE, Valve Return, 1680 mm lg, BSN ACM259775
2	87312890	1	HOSE, FLEXIBLE, Valve Return, 1680 mm lg, ASN ACM259776
3	82028272	1	HOSE, FLEXIBLE, Valve Supply, 735 mm lg
4	82020198	1	ELBOW, 9/16"-18
5	9825770	2	O-RING, -011, 90 Duro, .301" ID x .070" Thk,
6	82016839	1	CONNECTOR, HYD., 9/16"-18 UN-2A/M10 x 1
7	82016610	1	SEAL,
8	82019638	1	CONNECTOR, HYD., M22 x 1.5, 1"-14UN-2A
9	83901443	1	O-RING, 90 Duro, .625" ID x .070" Thk
10	14438085	1	O-RING, 19.3MM ID x 2.4 Thk,
11	5165897	4	WASHER, SEALING, 22.7 x 30 x 2
12	5112588	2	BOLT, BANJO, M22 x 1.5 x 40
13	11701721	3	NUT, M10, CI 10,
14	82030383	1	VALVE, HYDRAULIC,
15	82027947	1	BRACKET,
16	82020123	1	SPACER, 11 x 25 x 30
17	16102311	2	NUT, Thin, M8 x 1.25, CI 04,
18	16043624	2	BOLT, Hex, M8 x 25, 8.8, Full Thd,
18	15213321	2	BOLT, Hex, M8 x 35, 8.8,
19	11106424	1	BOLT, Hex, M10 x 30, 8.8, Full Thd,
19	16040821	1	BOLT, Hex, M10 x 40, 8.8, Full Thd,
19	82022265	1	SCREW, M10 x 1.5 x 30
20	15971424	1	BOLT, Hex, M10 x 1.25 x 80, 8.8,
20	15971624	1	BOLT, Hex, M10 x 1.25 x 90, 8.8,
21	12626204	2	WASHER, M10 x 25 x 3,
22	82009429	1	BUSHING,
23	82022295	1	BRACKET,
24	80100038	1	NUT, LOCK, Prevailing Torque, CL 8, M12 x 1.75
25	86511324	1	WASHER, M12 x 24 x 2.5,
26	11114231	1	BOLT, Hex, M12 x 100, 10.9,
27	14048221	1	NUT, LOCK, M8 x 1.25, CI 10,
28	12646704	1	WASHER, M8 x 20 x 2,
29	16046131	1	BOLT, Hex, M8 x 100, 10.9,
30	14496504	4	WASHER, M8 x 17 x 1.6,
31	5120607	2	SPACER, M10 x 20 x 12
32	263117	1	STRAP, CABLE, .14" x 11 1/2",
33	83987627	1	CAP, 1"-14 UNF
34	82028309	1	HOSE, FLEXIBLE, 1"-14 UNF - M22 x 1.5, 470 mm lg, -C5145
34	87312886	1	HOSE, FLEXIBLE, Valve Supply, Rear, 1"-14 UNF - M22 x 1.5, 470 mm lg, D5145-

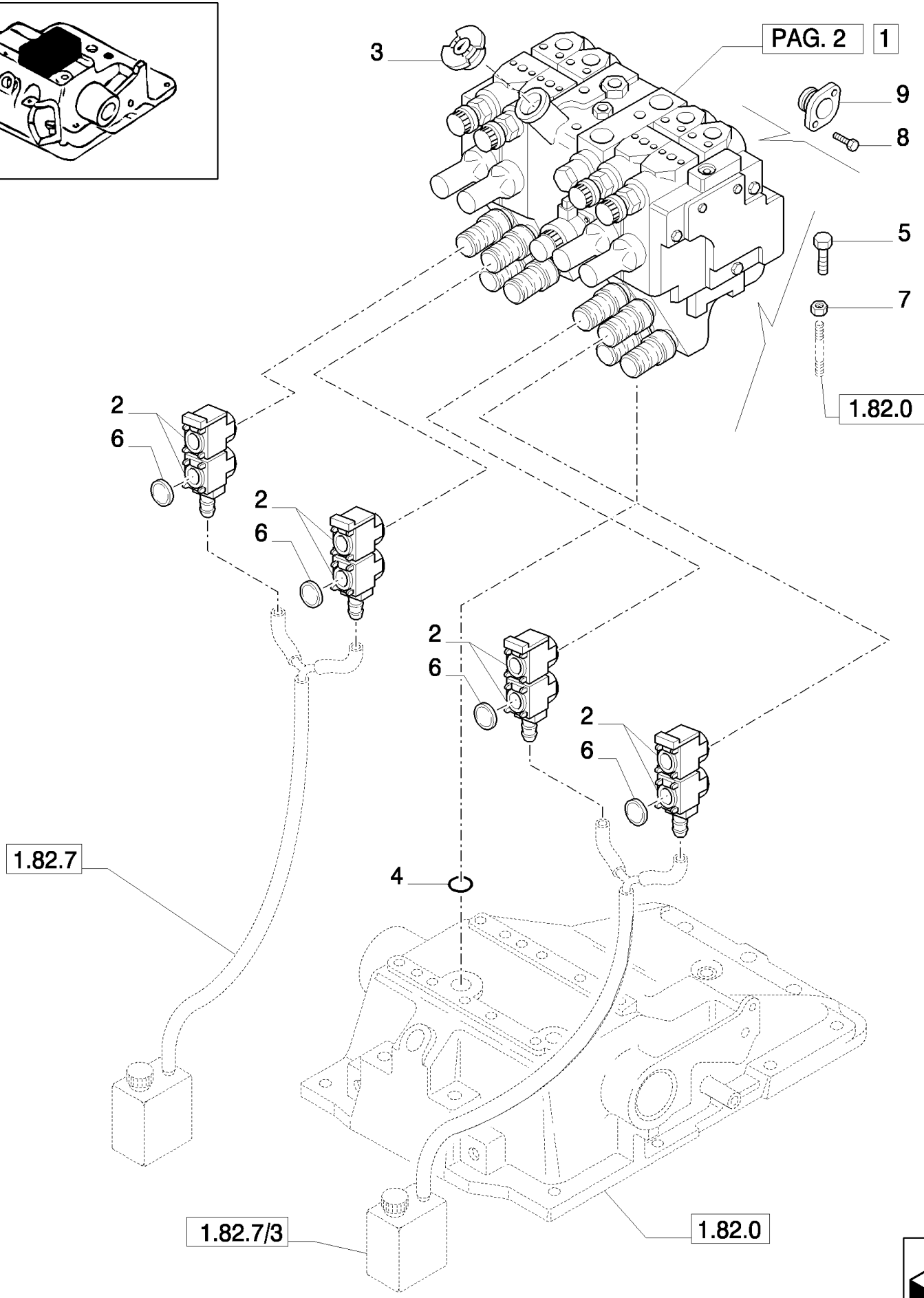
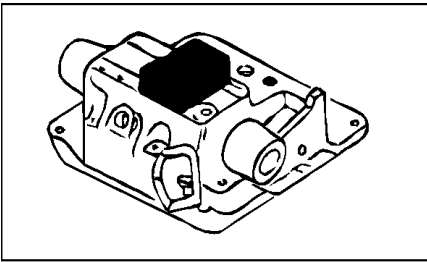
D5145 Serial N°ACM259776



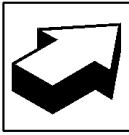
MXM155 CASE IH TRACTOR (6/02- )

1.82.7/12(03) (VAR.245/1) 3 CONTROL VALVES WITH JOYSTICK WITH SPRUNG CAB - SWITCH

сылка	Номер детали	Кол-во	Описание
1	82031402	1	ELECTRONIC UNIT, CONTROL,
2	82031404	1	BRACKET,
3	10902424	4	BOLT, Hex, M6 x 20, 8.8, Full Thd,
4	15896221	4	NUT, M6, CI 10,
5	14496404	4	WASHER, LOCK, M6 x 12.5
6	82031403	1	HARNESS, WIRE, Harness-Wiring
7	82031396	2	GROMMET,
8	82031399	1	SWITCH,

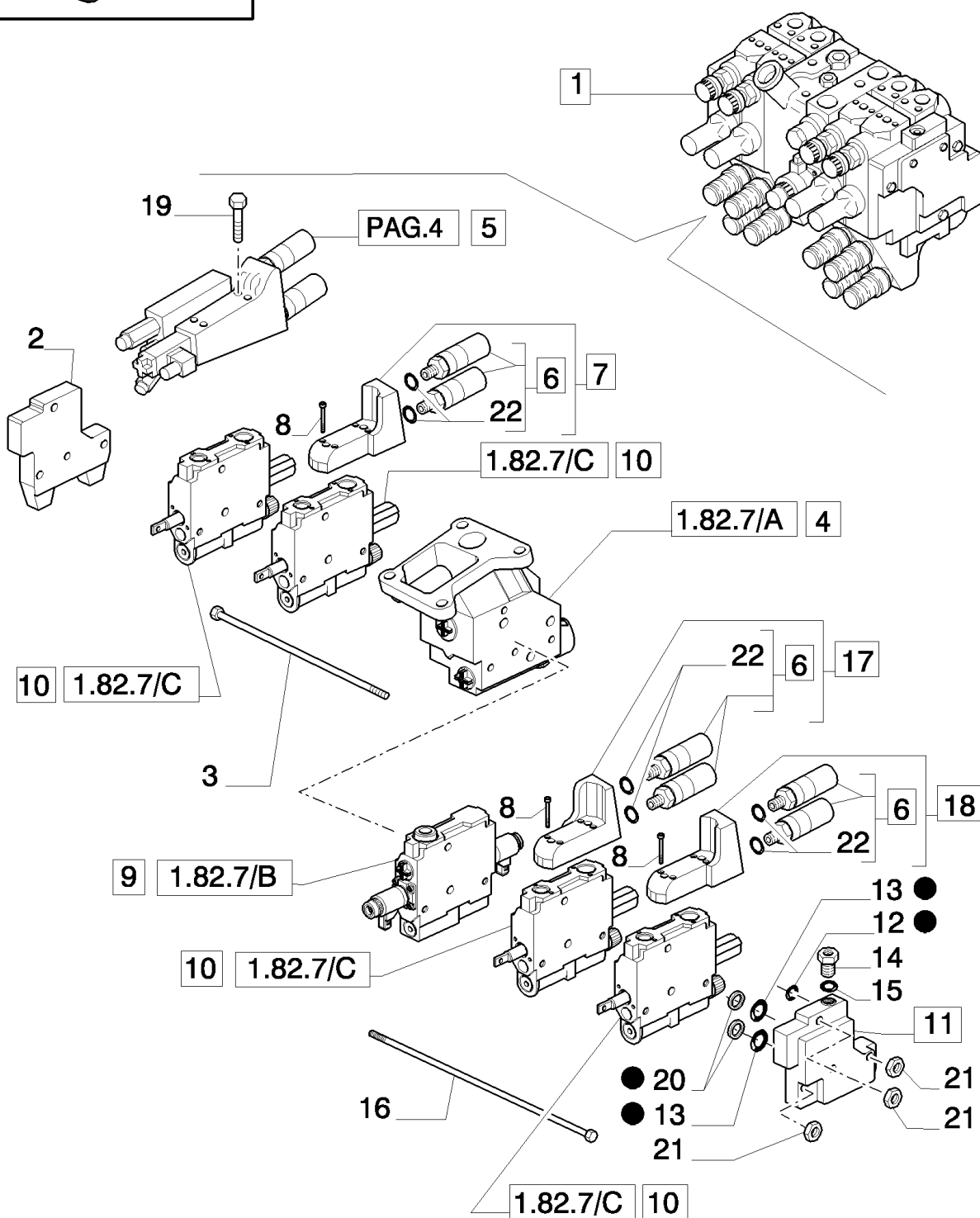
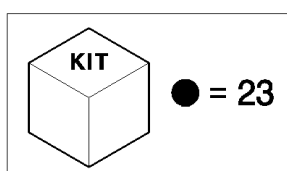
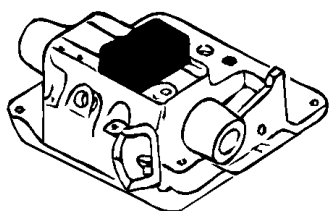


PAG. 2 1

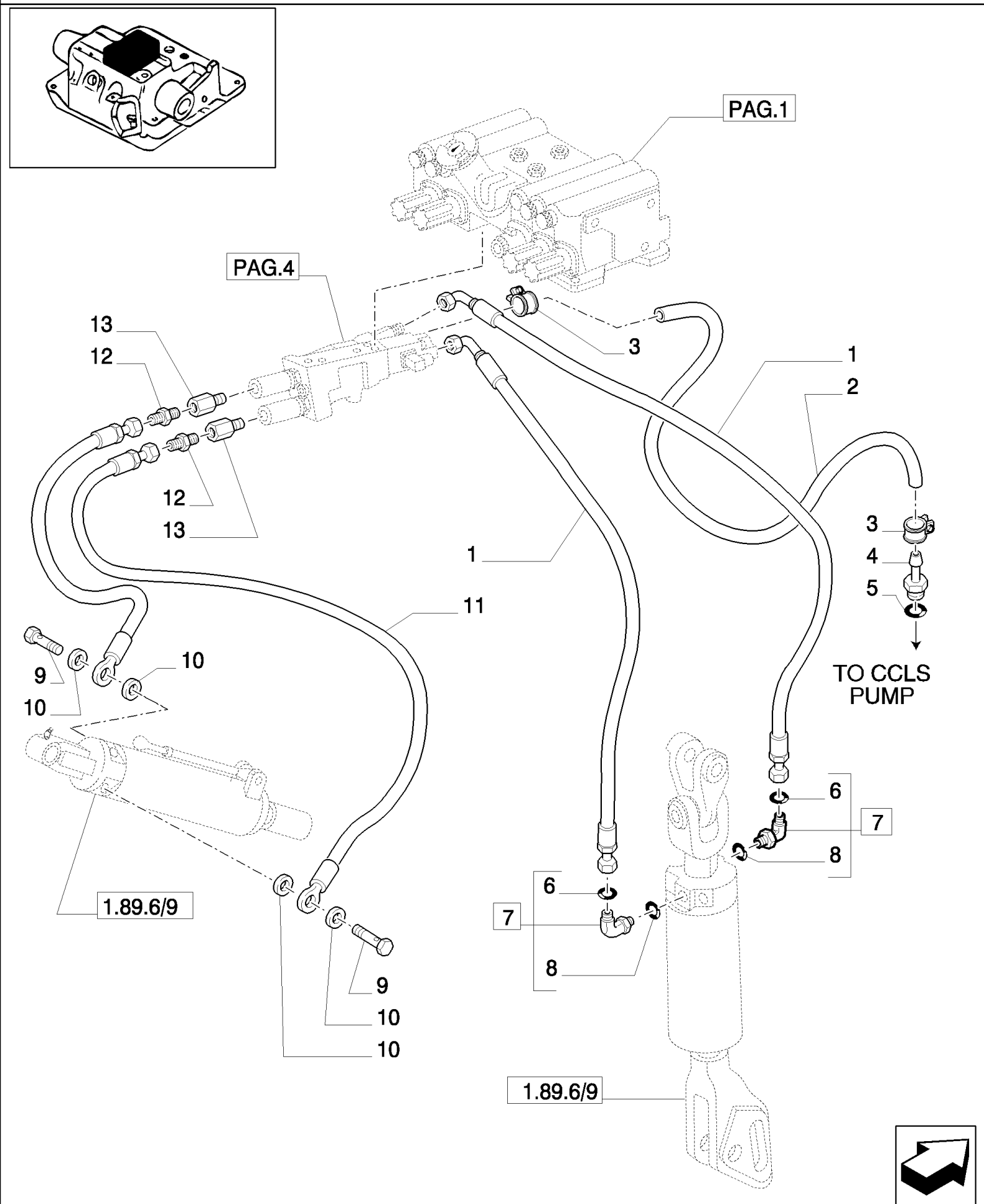


сылка	Номер детали	Кол-во	Описание
1	5194805	1	VALVE, CONTROL, Assy (Bosch)
2	5188836	4	DUST CAP,
3	82005372	1	COVER,
4	14463780	1	O-RING, -219, 70 Duro, 1.296" ID x .139" Thk,
5	16204524	2	BOLT, Hex, M10 x 35,
6	82029892	2	DISC, Green
6	82029893	2	DISC, Blue
6	82029894	2	DISC, Brown
6	82029895	2	DISC, Black
7	12164714	2	NUT, M10 x 1.25, CI 8,
8	14305221	8	SCREW, Hex Soc Hd, M6 x 16, 8.8,
9	5189606	4	SUPPORT,





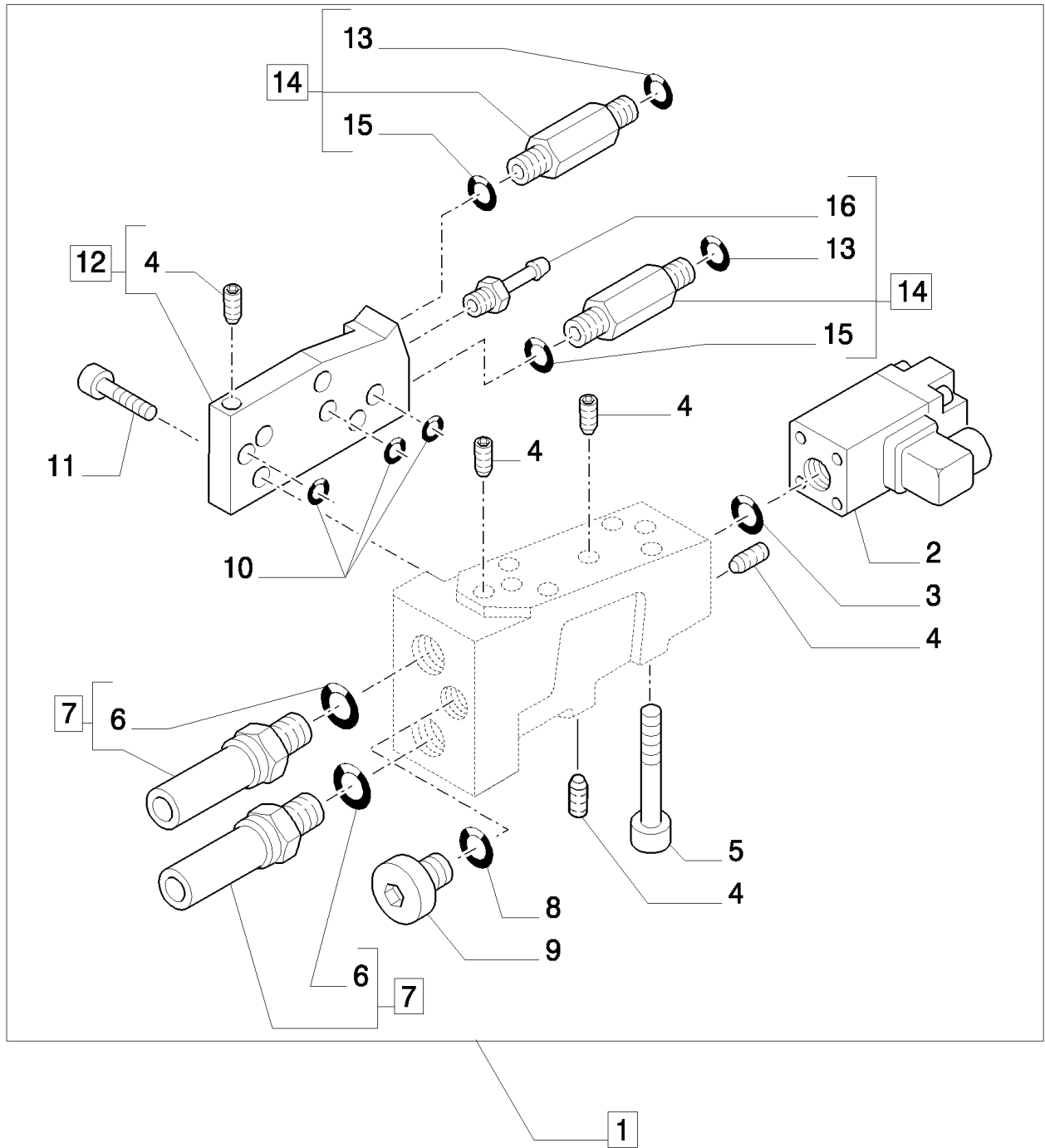
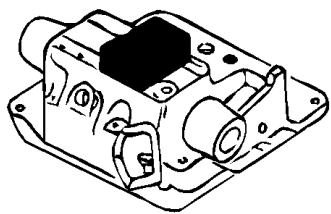
сылка	Номер детали	Кол-во	Описание
1	5194805	1	VALVE, CONTROL, Assy (Bosch)
2	5190710	1	PLATE, END,
3	5195170	3	SCREW,
4	5195158	1	BODY, Assy
5	5189613	1	VALVE, CONTROL, Assy, BSN 293075
5	87381999	1	VALVE, CONTROL, Assy, ASN 293076
6	5190882	6	COUPLING, PUSH-PULL, Incl. 22, BSN 293075
6	87381944	6	COUPLING, PUSH-PULL, , ASN 293076
7	5191808	1	COUPLING, Assy, BSN 293075
7	87381983	1	COUPLING, Assy, ASN 293076
8	14305971	12	SCREW, Hex Soc Hd, M6 x 45, 12.9,
9	5195159	1	VALVE, CONTROL, Assy
10	5195165	4	VALVE, CONTROL, Assy
11	5195157	1	COVER, (12, 13, 20)
12	81862872	1	O-RING, 19.6 x 2.4
13	5190751	2	O-RING, 18 x 2.5
14	5191704	1	VALVE, CHECK,
15	5191705	1	O-RING,
16	5195168	3	TIE-ROD,
17	5191806	1	COUPLING, Assy, BSN 293075
17	87381982	1	COUPLING, Assy, ASN 293076
18	5191803	1	COUPLING, Assy, BSN 293075
18	87381981	1	COUPLING, Assy, ASN 293076
19	14304824	2	SCREW, Hex Soc Hd, M6 x 55, 8.8,
20	5195150	2	BACK-UP RING,
21	5195169	3	NUT,
	83984290	AR	KIT, Seal & Ring, for 5190882 Coupler
22	14438085	6	O-RING, 19.3MM ID x 2.4 Thk,
23	47126963	1	KIT, SEALS,



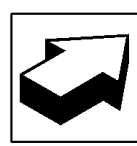
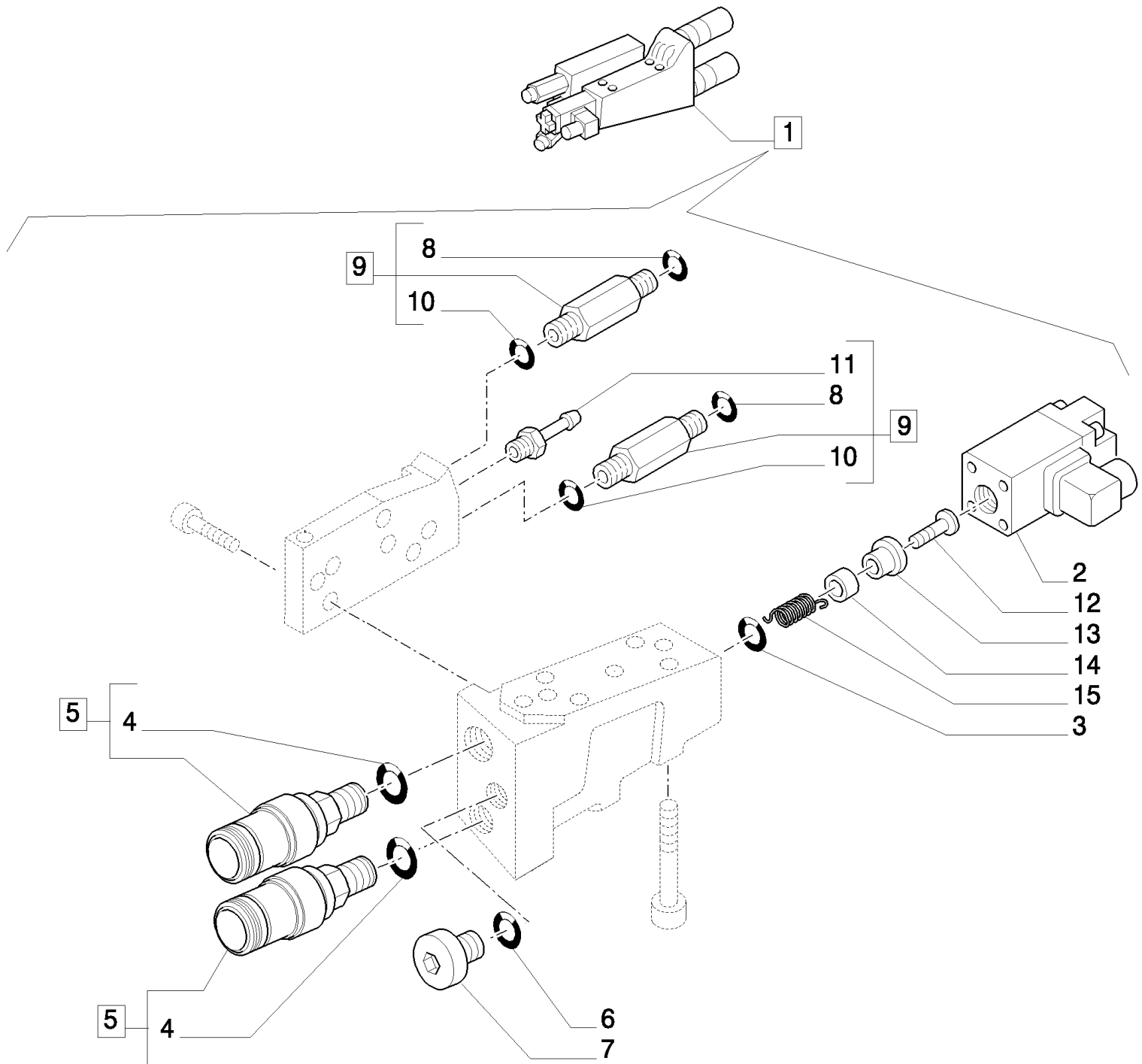
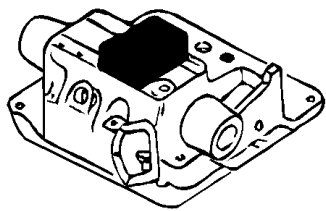
MXM155 CASE IH TRACTOR (6/02- )

1.82.7/13(03) (VAR.900) HYDRAULIC ADJUSTMENT OF RIGHT TIE-ROD FOR CLOSED CCLS CENTRE - PIPES

сылка	Номер детали	Кол-во	Описание
1	5185598	2	HOSE, FLEXIBLE,
2	5189639	1	HOSE, FLEXIBLE, D = 10 x 17 x 830
3	10187090	2	CLAMP, HOSE, D=16-18
4	5189636	1	CONNECTOR, HYD.,
5	14437985	1	O-RING, 15.3MM ID x 2.4 Thk,
6	5185510	2	O-RING, M9.25 ID x 1.78 Thk
7	5185050	2	ELBOW,
8	14437885	2	O-RING, 13.3MM ID x 2.4 Thk,
9	10184417	2	BOLT, BANJO, M16 x 1.5 x 31,
10	4858609	4	O-RING,
11	5156854	2	HOSE, FLEXIBLE,
12	5101741	2	COUPLING, QUICK, MALE,
13	5156845	2	CONNECTOR, HYD.,



сылка	Номер детали	Кол-во	Описание
1	5189613	1	VALVE, CONTROL,
2	5137085	1	SOLENOID,
3	5135738	1	O-RING, -115, CI 9, .674" ID x .103" Thk,
4	13789621	5	SET SCREW, Hex Soc, M8 x 10, Flat Pt,
5	14304824	4	SCREW, Hex Soc Hd, M6 x 55, 8.8,
6	14438085	2	O-RING, 19.3MM ID x 2.4 Thk,
7	5190882	2	COUPLING, PUSH-PULL,
8	14437885	1	O-RING, 13.3MM ID x 2.4 Thk,
9	10119311	1	PLUG, M16 x 1.5 x 12, CI5.8,
10	14456881	3	O-RING, -110, CI 7, .361" ID x .103" Thk,
11	14432224	4	SCREW, Hex Soc Hd, M6 x 22, 8.8,
12	5189619	1	PLATE,
13	5185510	2	O-RING, M9.25 ID x 1.78 Thk
14	5189602	2	CONNECTOR, HYD.,
15	14437785	2	O-RING, 11.3MM ID x 2.4 Thk,
16	5171030	1	CONNECTOR, HYD.,
	83984290		AR KIT, Seal & Ring, for 5190882 Coupler



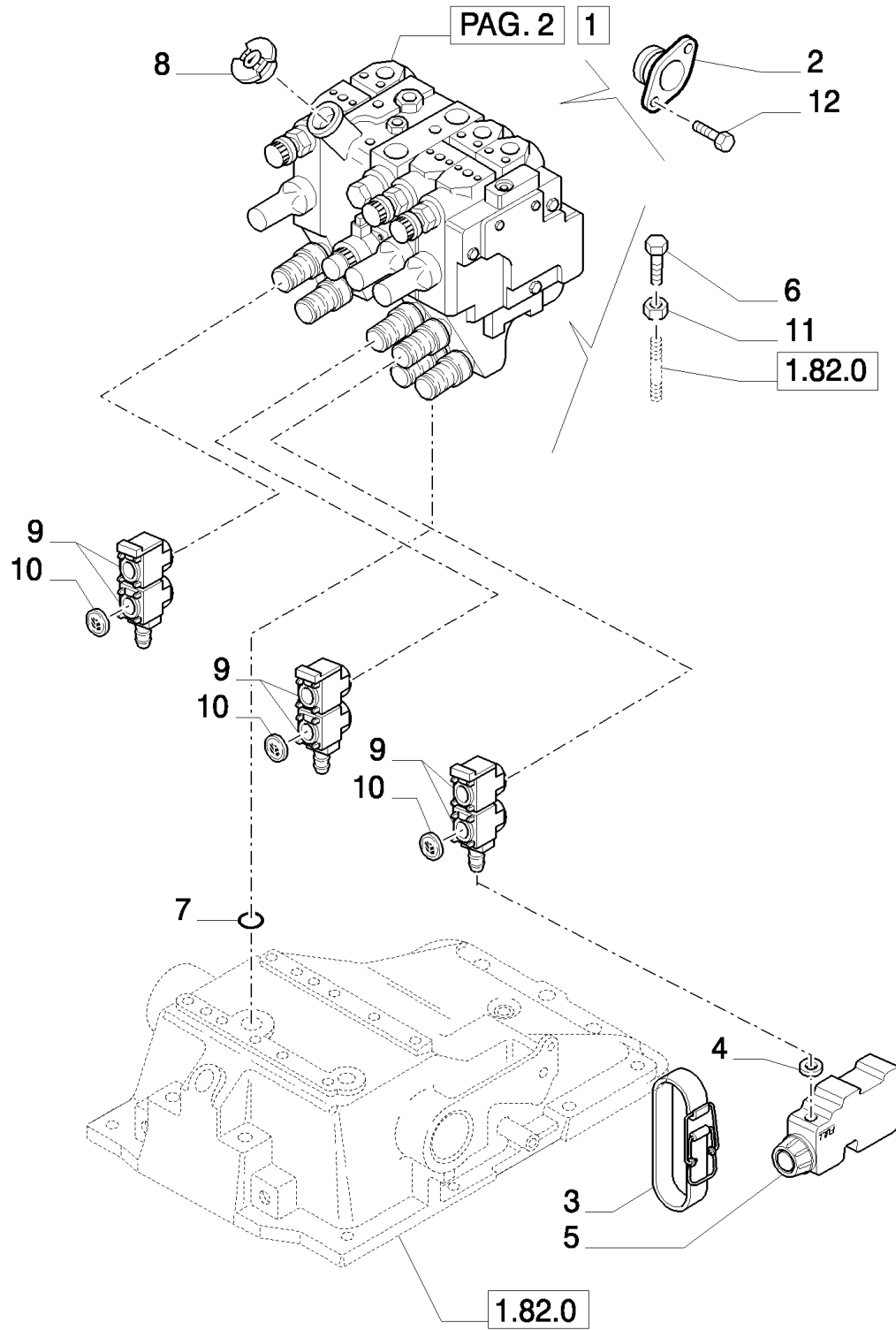
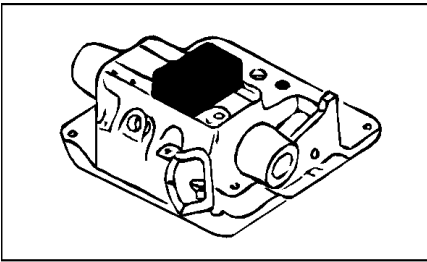
MXM155 CASE IH TRACTOR (6/02- )

1.82.7/13(05) (VAR.900) HYDR. ADJUSTMENT OF RIGHT TIE-ROD FOR CLOSED CCLS CENTRE-IMPLEMENT ADJUS. CTRL VALV

сылка	Номер детали	Кол-во	Описание
1	87381999	1	VALVE, CONTROL,
2	5137085	1	SOLENOID,
3	5135738	1	O-RING, -115, CI 9, .674" ID x .103" Thk,
4	14438085	2	O-RING, 19.3MM ID x 2.4 Thk,
5	87381944	2	COUPLING, PUSH-PULL,
6	14437885	1	O-RING, 13.3MM ID x 2.4 Thk,
7	10119311	1	PLUG, M16 x 1.5 x 12, CI5.8,
8	5185510	2	O-RING, M9.25 ID x 1.78 Thk
9	5189602	2	CONNECTOR, HYD.,
10	14437785	2	O-RING, 11.3MM ID x 2.4 Thk,
11	5171030	1	CONNECTOR, HYD.,
12	NSS	1	NOT SERVICED SEPARATELY, (5137074)
13	NSS	1	NOT SERVICED SEPARATELY, (5137073)
14	NSS	1	NOT SERVICED SEPARATELY, (5137075)
15	NSS	2	NOT SERVICED SEPARATELY, (5137076)
	87382012		AR KIT, SEALS, Seal & Ring Kit, for 5190882 Coupler

D5279 Serial N.293076

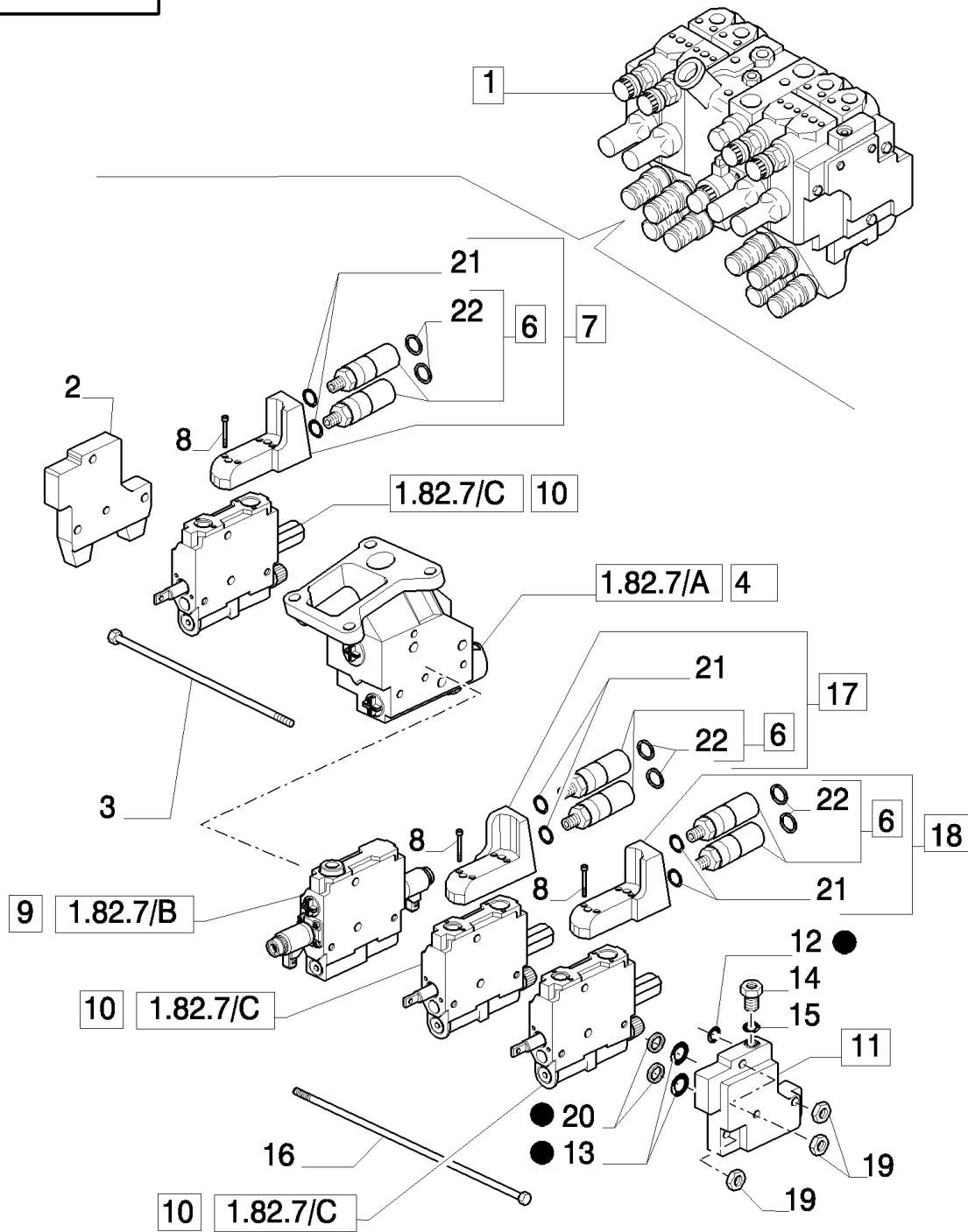
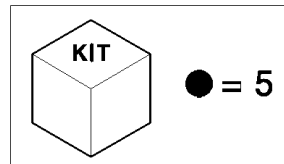
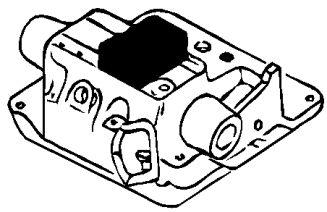




MXM155 CASE IH TRACTOR (6/02- )

1.82.7/17(01) (VAR.170) 3-CONTROL VALVE UNIT - EXTRA EXTERNAL CONTROL VALVES AND PIPES

сылка	Номер детали	Кол-во	Описание
1	87302097	1	VALVE, HYDRAULIC, Assy (Bosch)
2	5189606	4	SUPPORT,
3	82032061	3	CLIP,
4	82029356	3	SEAL,
5	82029231	3	BOTTLE,
6	16204524	2	BOLT, Hex, M10 x 35,
7	14463780	1	O-RING, -219, 70 Duro, 1.296" ID x .139" Thk,
8	82005372	1	COVER,
9	5188836	3	DUST CAP,
10	82029892	2	DISC, Green
10	82029893	2	DISC, Blue
10	82029894	2	DISC, Brown
10	82029895	2	DISC, Black
11	12164714	2	NUT, M10 x 1.25, CI 8,
12	14305221	8	SCREW, Hex Soc Hd, M6 x 16, 8.8,

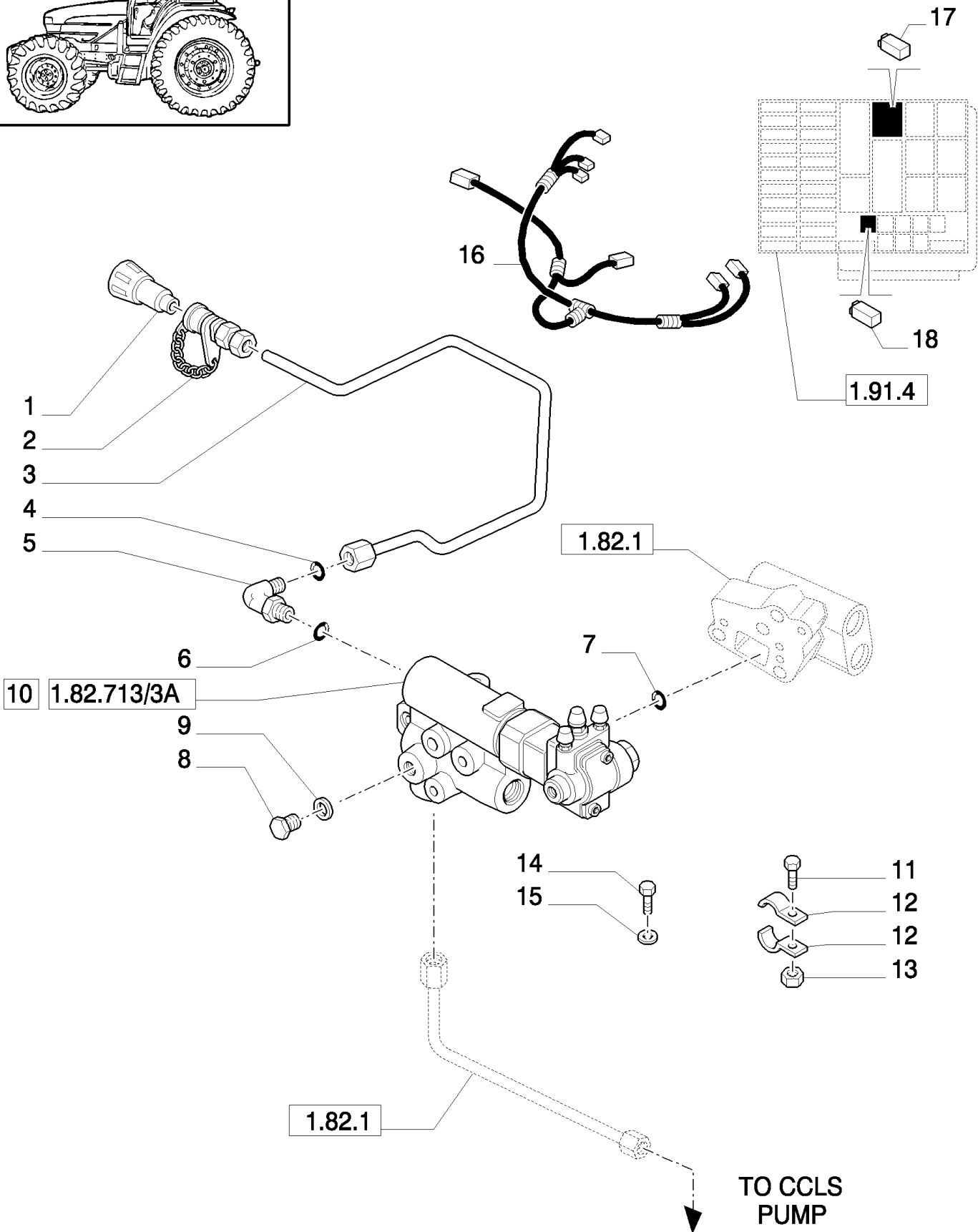
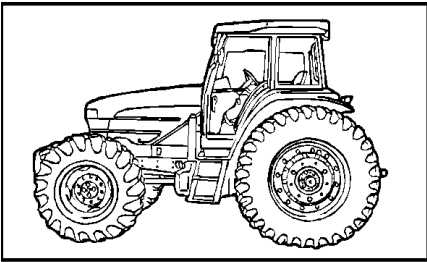


## MXM155 CASE IH TRACTOR (6/02- )

## 1.82.7/17(02) (VAR.170) 3-CONTROL VALVE UNIT - REMOTE VALVES

сылка	Номер детали	Кол-во	Описание
1	87302097	1	VALVE, HYDRAULIC, Assy (Bosch)
2	5190710	1	PLATE, END,
3	16044831	3	BOLT, Hex, M8 x 80, 10.9,
4	5195158	1	BODY, Assy
5	47126963	1	KIT, SEALS,
6	47134599	6	COUPLING, PUSH-PULL, Incl. 21, 22
7	5191808	1	COUPLING, Assy, BSN 293075
7	87381983	1	COUPLING, Assy, ASN 293076
8	14305971	12	SCREW, Hex Soc Hd, M6 x 45, 12.9,
9	5195159	1	VALVE, CONTROL, Assy
10	5195165	3	VALVE, CONTROL, Assy
11	5195157	1	COVER, Incl. 5, 12, 13, 20
12	81862872	1	O-RING, 19.6 x 2.4
13	5190751	2	O-RING, 18 x 2.5
14	5191704	1	VALVE, CHECK,
15	5191705	1	O-RING,
16	5195168	3	TIE-ROD,
17	5191806	1	COUPLING, , BSN 293075
17	87381982	1	COUPLING, , ASN 293076
18	5191803	1	COUPLING, Assy, BSN 293075
18	87381981	1	COUPLING, Assy, ASN 293076
19	16100821	3	NUT, M8, CI 10,
20	5195150	2	BACK-UP RING,
21	14438085	6	O-RING, 19.3MM ID x 2.4 Thk,
22	47134601	6	SEAL,

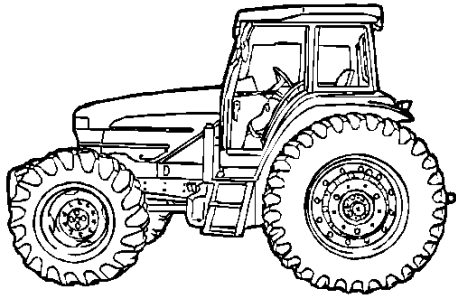
D5279 Serial N.293076



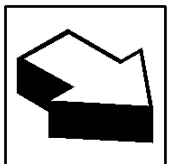
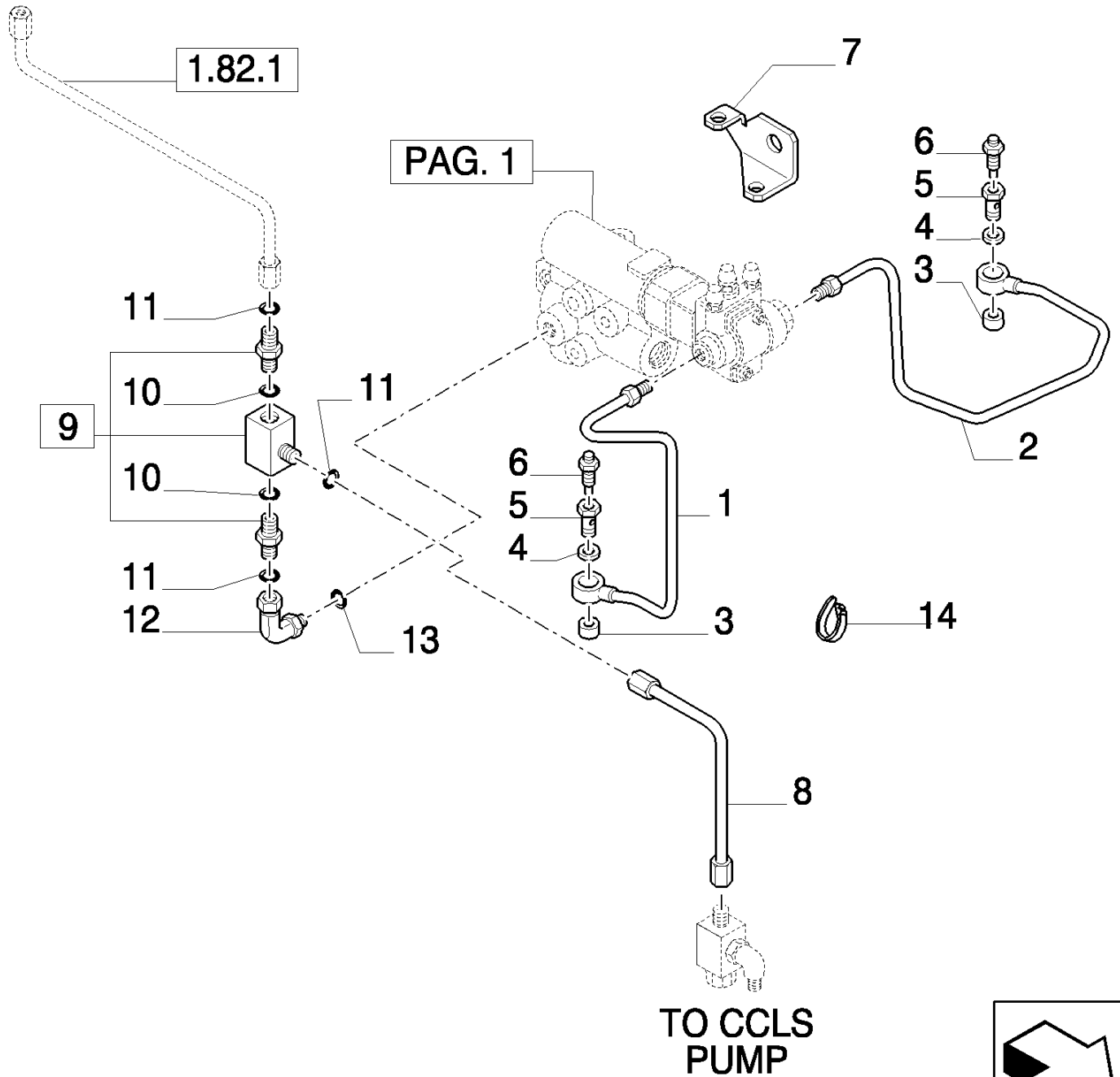
MXM155 CASE IH TRACTOR (6/02- )

1.82.713/03(01) (VAR.414) TRAILER BRAKE VALVE FOR LOAD SENSING CLOSED CENTRE (CCLS)

сылка	Номер детали	Кол-во	Описание
1	62775076	1	COUPLING, QUICK, MALE,
2	44015354	1	COUPLING, QUICK, MALE,
3	5197658	1	TUBE,
4	5185511	1	O-RING, M12.42 ID x 1.78 Thk
5	5185054	1	ELBOW, Incl. 6
6	14437985	1	O-RING, 15.3MM ID x 2.4 Thk,
7	14457880	1	O-RING, -120, 70 Duro, .987" ID x .103" Thk,
7	5135740	1	O-RING, -119, CI 9, .924" ID x .103" Thk,
7	81862872	1	O-RING, 19.6 x 2.4
7	81862879	1	SEAL, 7.6 x 2.4
7	14457081	1	O-RING, -112, CI 7, .487" ID x .103" Thk,
8	10300511	1	PLUG, M12 x 1.5 x 12, CI5.8,
9	4858607	1	WASHER, COPPER,
10	47126818	1	VALVE, BRAKE,
11	10902424	2	BOLT, Hex, M6 x 20, 8.8, Full Thd,
12	5189991	4	CLAMP,
13	12574211	2	NUT, LOCK, M6 x 1, CI 8,
14	10902124	1	BOLT, Hex, M6 x 14, 8.8, Full Thd,
15	11197774	1	WASHER, SPRING, Belleville, M6.4,
16	82006060	1	HARNESS, WIRE,
17	83990084	1	RELAY,
18	83990024	1	RELAY,



TO REMOTE  
VALVES

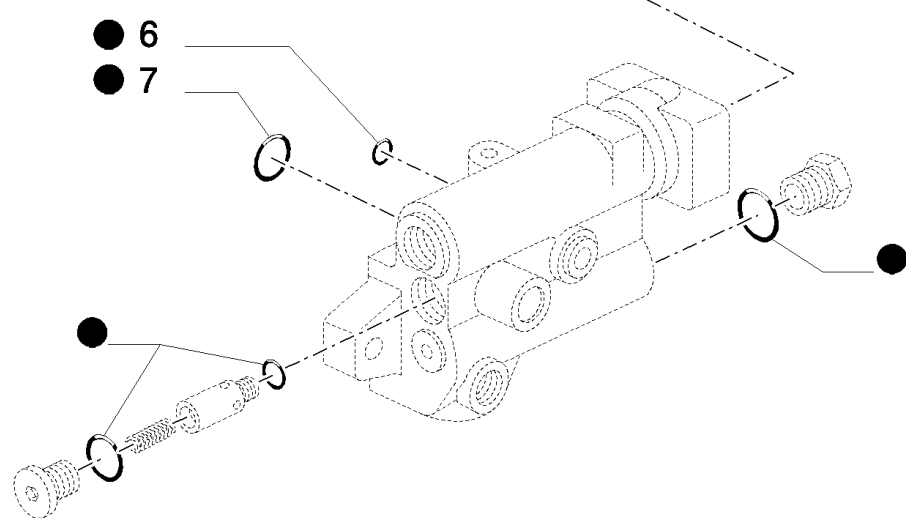
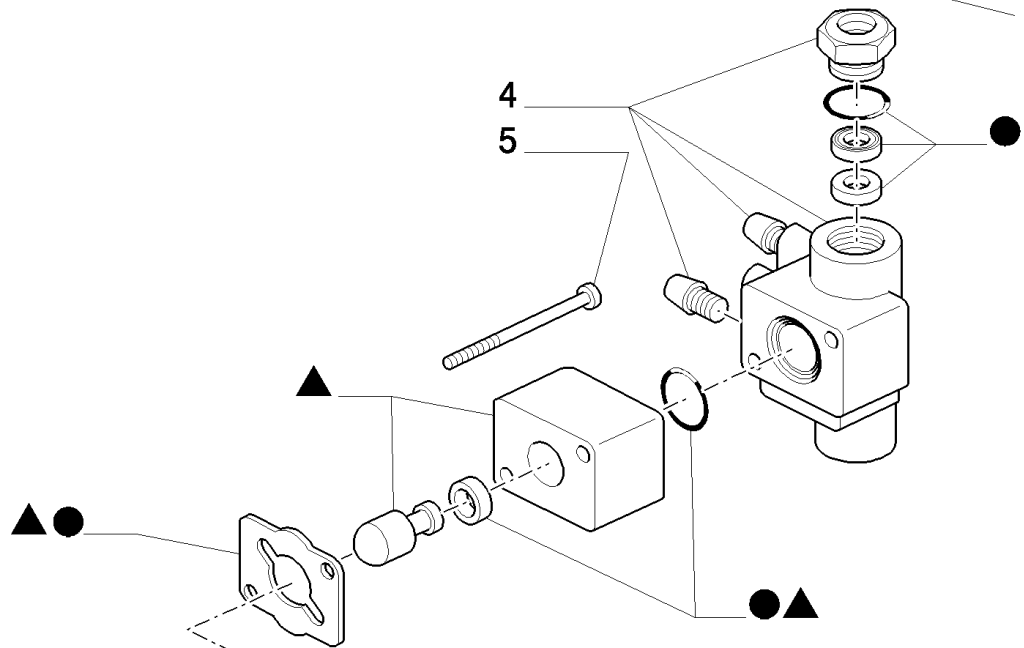
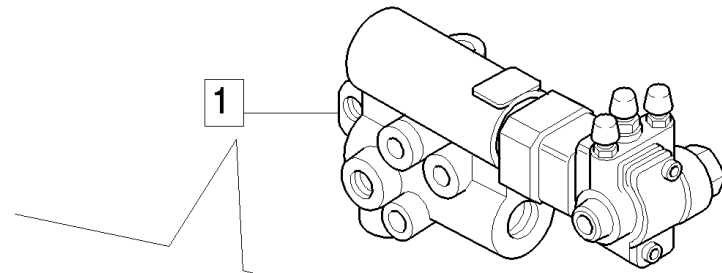
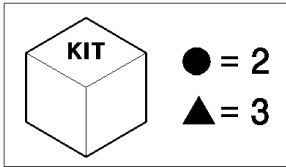
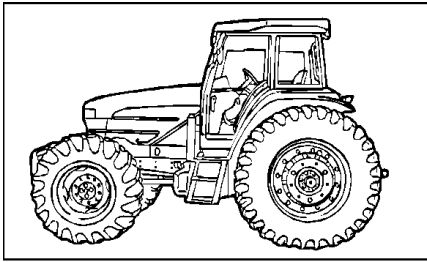


MXM155 CASE IH TRACTOR (6/02- )

1.82.713/03(02) (VAR.414) TRAILER BRAKE VALVE FOR LOAD SENSING CLOSED CENTRE (CCLS)

сылка	Номер детали	Кол-во	Описание
1	5191851	1	HOSE, FLEXIBLE, RH
2	5191852	1	HOSE, FLEXIBLE, LH
3	5155678	2	GASKET, 12 x 17 x 5
4	10261060	2	WASHER, COPPER, M12.2 x 16 x 1.5,
5	5155679	2	CONNECTOR, HYD.,
6	5153030	2	SCREW, BLEED,
7	5184505	1	SUPPORT,
8	5189764	1	TUBE,
9	81862791	1	VALVE, REMOTE CONTROL,
10	165202	2	O-RING, 4-1, 90 Duro, .351" ID x .072" Thk,
11	9825770	3	O-RING, -011, 90 Duro, .301" ID x .070" Thk,
12	47126309	1	ELBOW, Incl. 13
13	14437585	1	O-RING, 8MM ID x 1.5 Thk,
14	14560087	2	STRAP, CABLE,

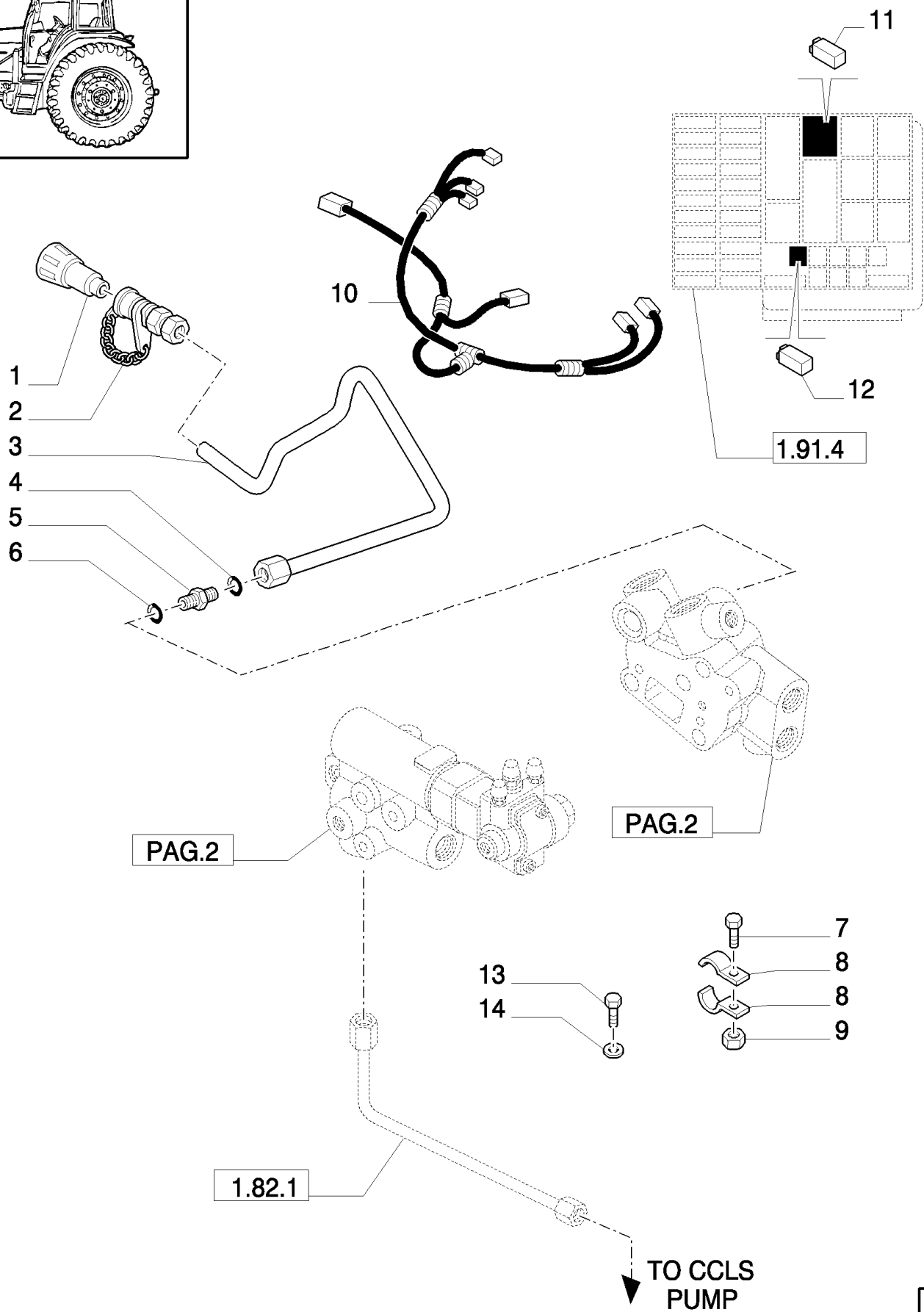
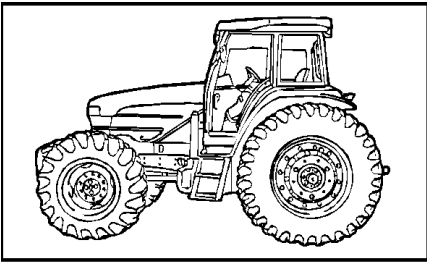




MXM155 CASE IH TRACTOR (6/02- )

1.82.713/03A (VAR.414) TRAILER BRAKE BREAKDOWN VALVE FOR LOAD SENSING CLOSED CENTRE (CCLS)

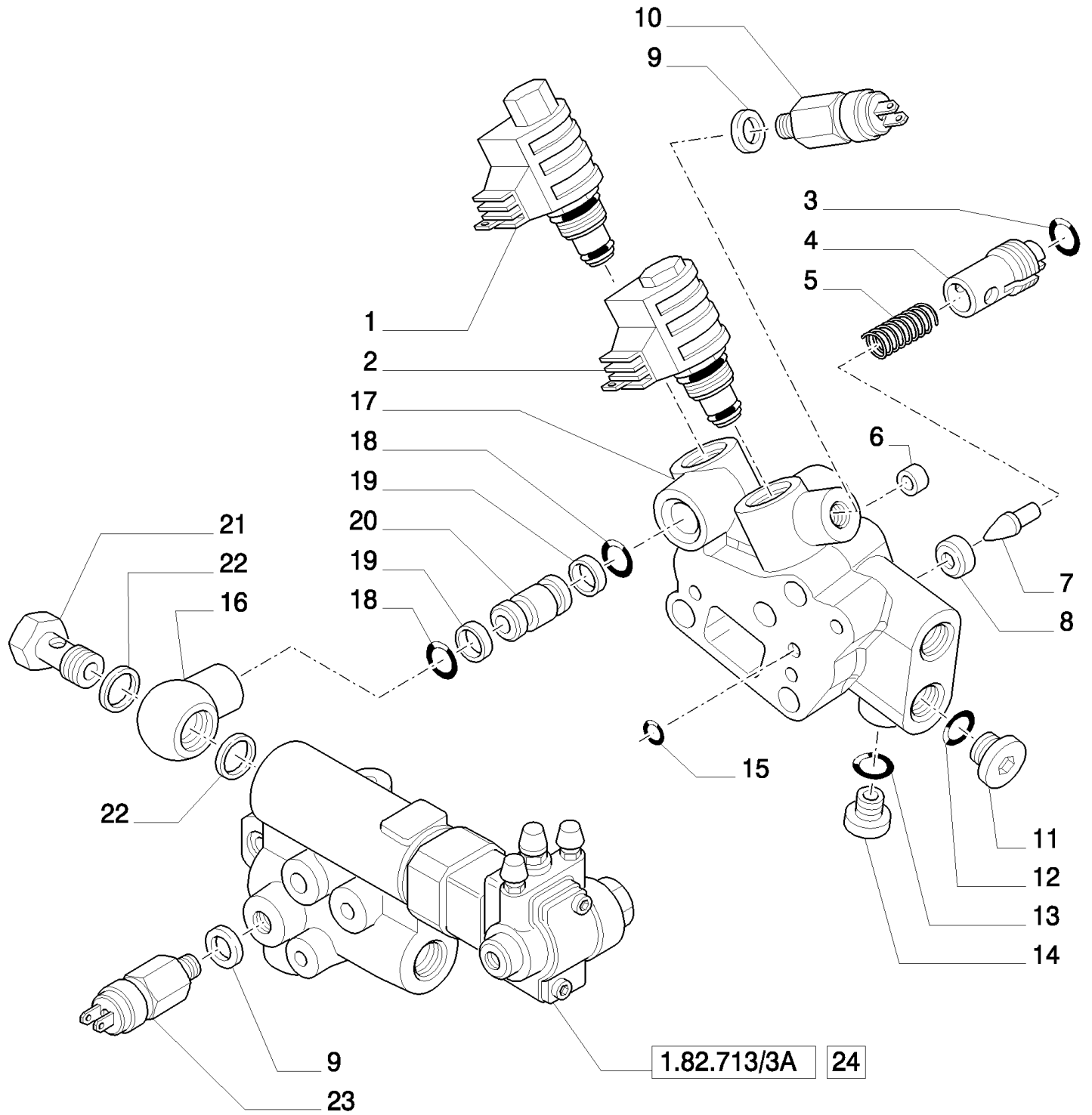
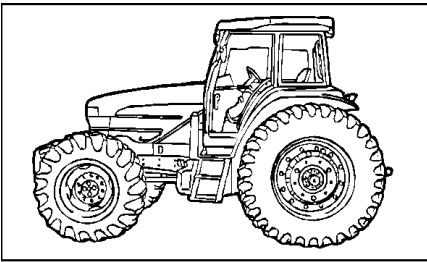
сылка	Номер детали	Кол-во	Описание
1	47126818	1	VALVE, BRAKE,
2	47128438	1	KIT, SEALS,
3	47128439	1	KIT, REPAIR,
4	47128437	1	VALVE,
5	5190750	2	SCREW, M6 x 70
6	81862879	1	SEAL, 7.6 x 2.4
7	81862872	1	O-RING, 19.6 x 2.4



MXM155 CASE IH TRACTOR (6/02- )

1.82.713/04(01) (VAR.418) TRAILER BRAKE VALVE FOR LOAD SENSING CLOSED CENTRE (CCLS) - ITALY

сылка	Номер детали	Кол-во	Описание
1	62775076	1	COUPLING, QUICK, MALE,
2	44015354	1	COUPLING, QUICK, MALE,
3	5187456	1	TUBE,
4	14437985	1	O-RING, 15.3MM ID x 2.4 Thk,
5	5185561	1	CONNECTOR, HYD.,
6	5185511	1	O-RING, M12.42 ID x 1.78 Thk
7	10902424	2	BOLT, Hex, M6 x 20, 8.8, Full Thd,
8	5189991	4	CLAMP,
9	12574211	2	NUT, LOCK, M6 x 1, CI 8,
10	82006060	1	HARNESS, WIRE,
11	83990084	1	RELAY, 40A
12	83990024	1	RELAY, Normally Closed
13	10902124	1	BOLT, Hex, M6 x 14, 8.8, Full Thd,
14	11197774	1	WASHER, SPRING, Belleville, M6.4,



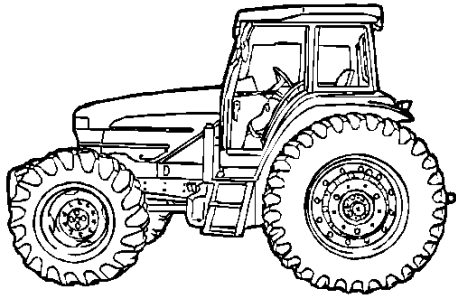
1.82.713/3A 24



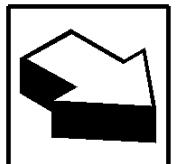
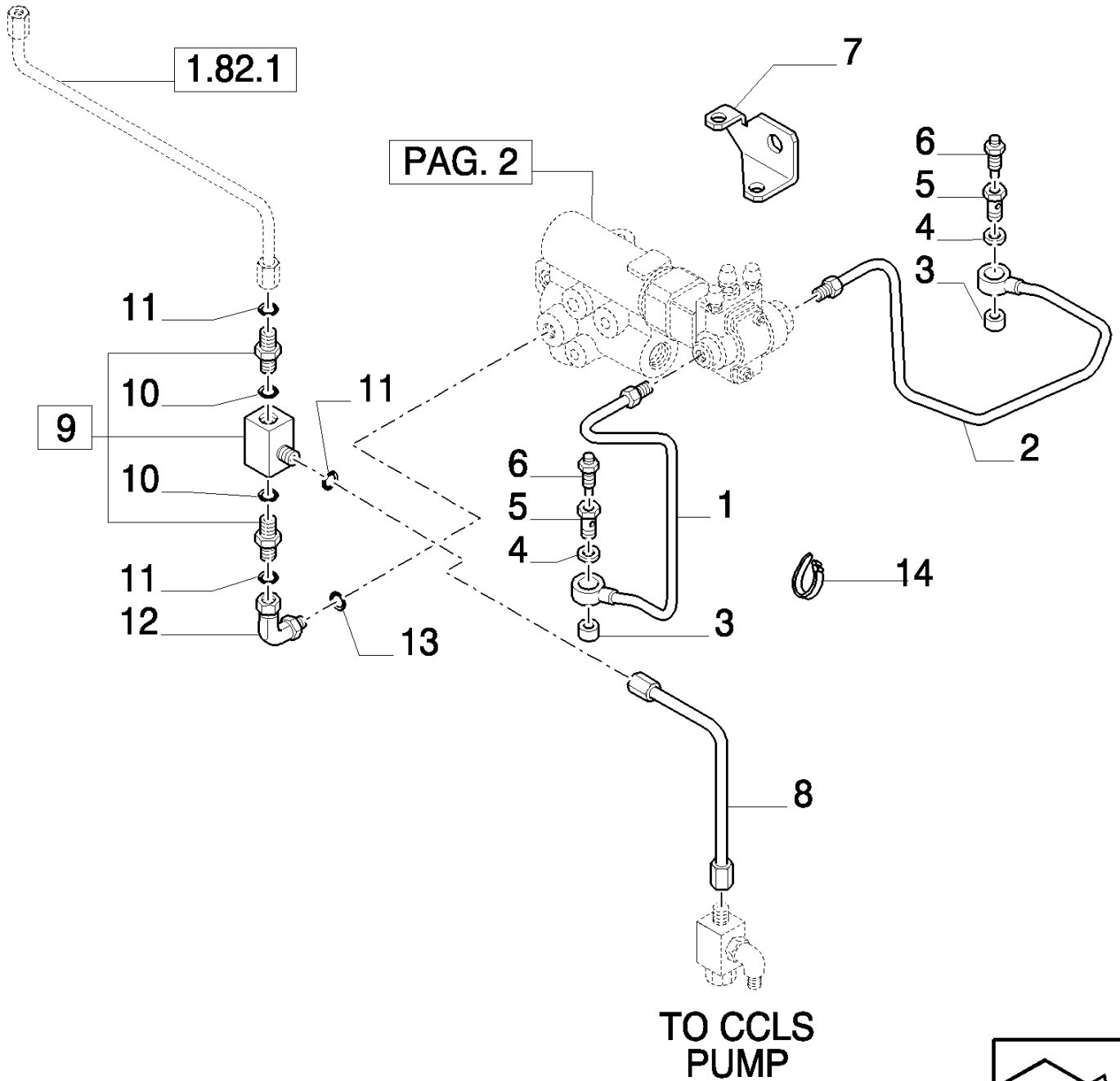
## MXM155 CASE IH TRACTOR (6/02-)

## 1.82.713/04(02) (VAR.418) TRAILER BRAKE VALVE FOR LOAD SENSING CLOSED CENTRE (CCLS) - ITALY

сылка	Номер детали	Кол-во	Описание
1	5157480	1	VALVE, SOLENOID, N.O.
2	5157481	1	VALVE, SOLENOID, N.C.
3	14457880	1	O-RING, -120, 70 Duro, .987" ID x .103" Thk,
4	5186092	1	BODY,
5	5157487	1	SPRING,
6	5103239	1	DOWEL, M8.25 x 11 x 7
7	5187827	1	PIN, GUIDE,
8	5184567	1	RING,
9	10261060	3	WASHER, COPPER, M12.2 x 16 x 1.5,
10	5157750	1	SWITCH, Oil Pressure
11	10118811	1	PLUG, M22 x 1.5 x 14, CI5.8,
12	14438085	1	O-RING, 19.3MM ID x 2.4 Thk,
13	14437885	1	O-RING, 13.3MM ID x 2.4 Thk,
14	10119311	1	PLUG, M16 x 1.5 x 12, CI5.8,
15	5135740	1	O-RING, -119, CI 9, .924" ID x .103" Thk,
15	81862872	1	O-RING, 19.6 x 2.4
15	81862879	1	SEAL, 7.6 x 2.4
16	5184562	1	ELBOW, Banjo
17	5188150	1	BODY, (1, 2, 4, 5, 6, 7, 8, 9, 10, 11, 12, 13, 14)
18	14457081	2	O-RING, -112, CI 7, .487" ID x .103" Thk,
19	5185223	2	RING, 13 x 17.36 x 1.35
20	5184560	1	CONNECTOR, HYD.,
21	5184546	1	BOLT, BANJO, M18 x 1.5
22	5135739	2	O-RING, -116, CI 9, .737" ID x .103" Thk,
23	5161047	1	SWITCH, PRESSURE, Safety
24	47126818	1	VALVE, BRAKE, Safety



TO REMOTE  
VALVES

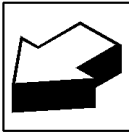
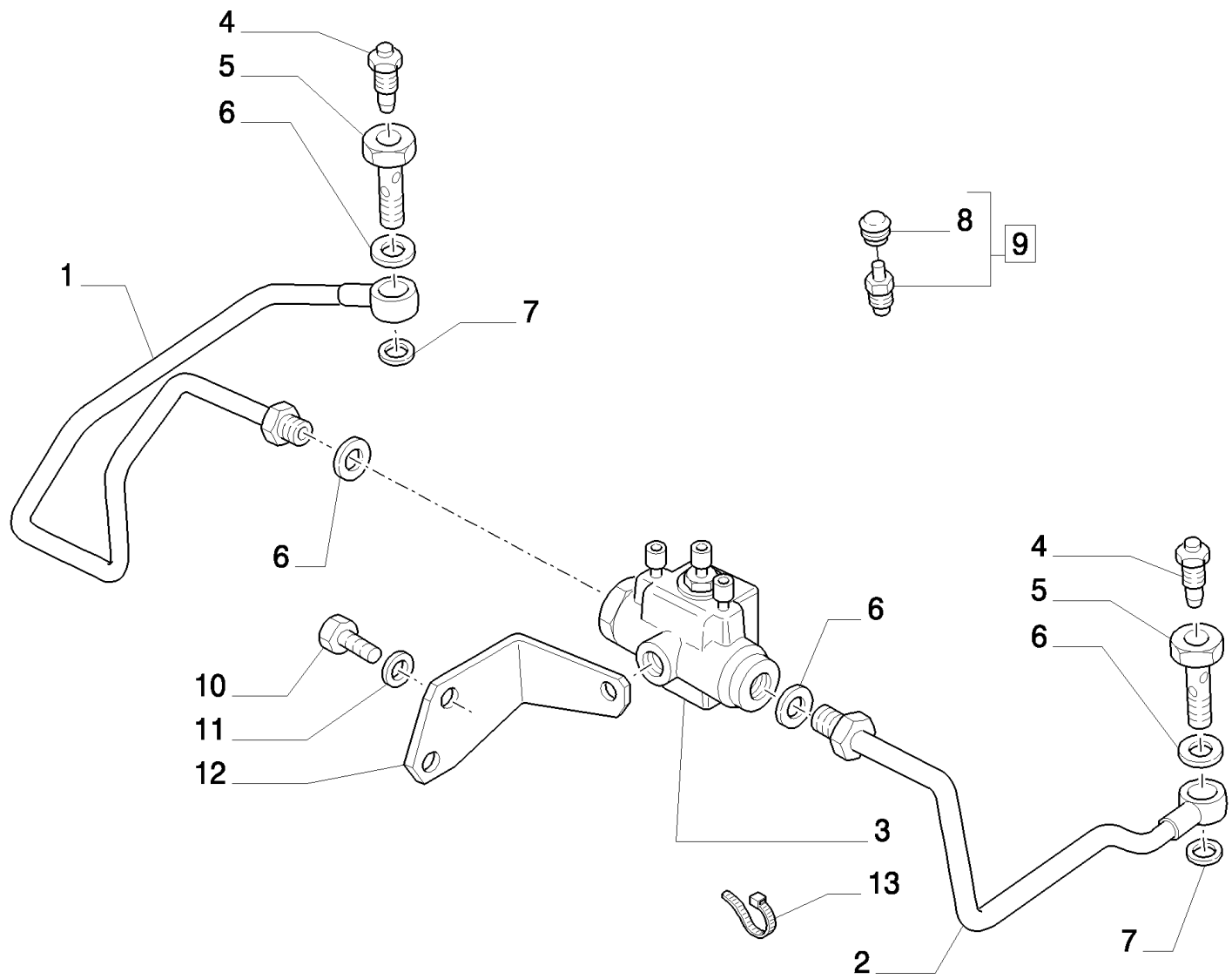
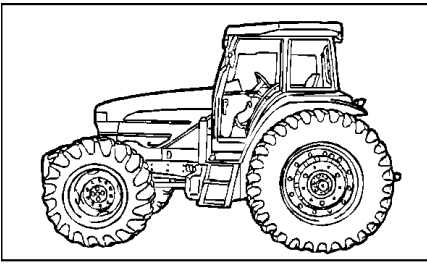


MXM155 CASE IH TRACTOR (6/02- )

1.82.713/04(03) (VAR.418) TRAILER BRAKE VALVE FOR LOAD SENSING CLOSED CENTRE (CCLS) - ITALY

сылка	Номер детали	Кол-во	Описание
1	5191851	1	HOSE, FLEXIBLE, RH
2	5191852	1	HOSE, FLEXIBLE, LH
3	5155678	2	GASKET, 12 x 17 x 5
4	10261060	2	WASHER, COPPER, M12.2 x 16 x 1.5,
5	5155679	2	CONNECTOR, HYD.,
6	5153030	2	SCREW, BLEED,
7	5184505	1	SUPPORT,
8	5189764	1	TUBE,
9	81862791	1	VALVE, REMOTE CONTROL,
10	165202	2	O-RING, 4-1, 90 Duro, .351" ID x .072" Thk,
11	9825770	3	O-RING, -011, 90 Duro, .301" ID x .070" Thk,
12	47126309	1	ELBOW, Incl. 13
13	14437585	1	O-RING, 8MM ID x 1.5 Thk,
14	14560087	2	STRAP, CABLE,



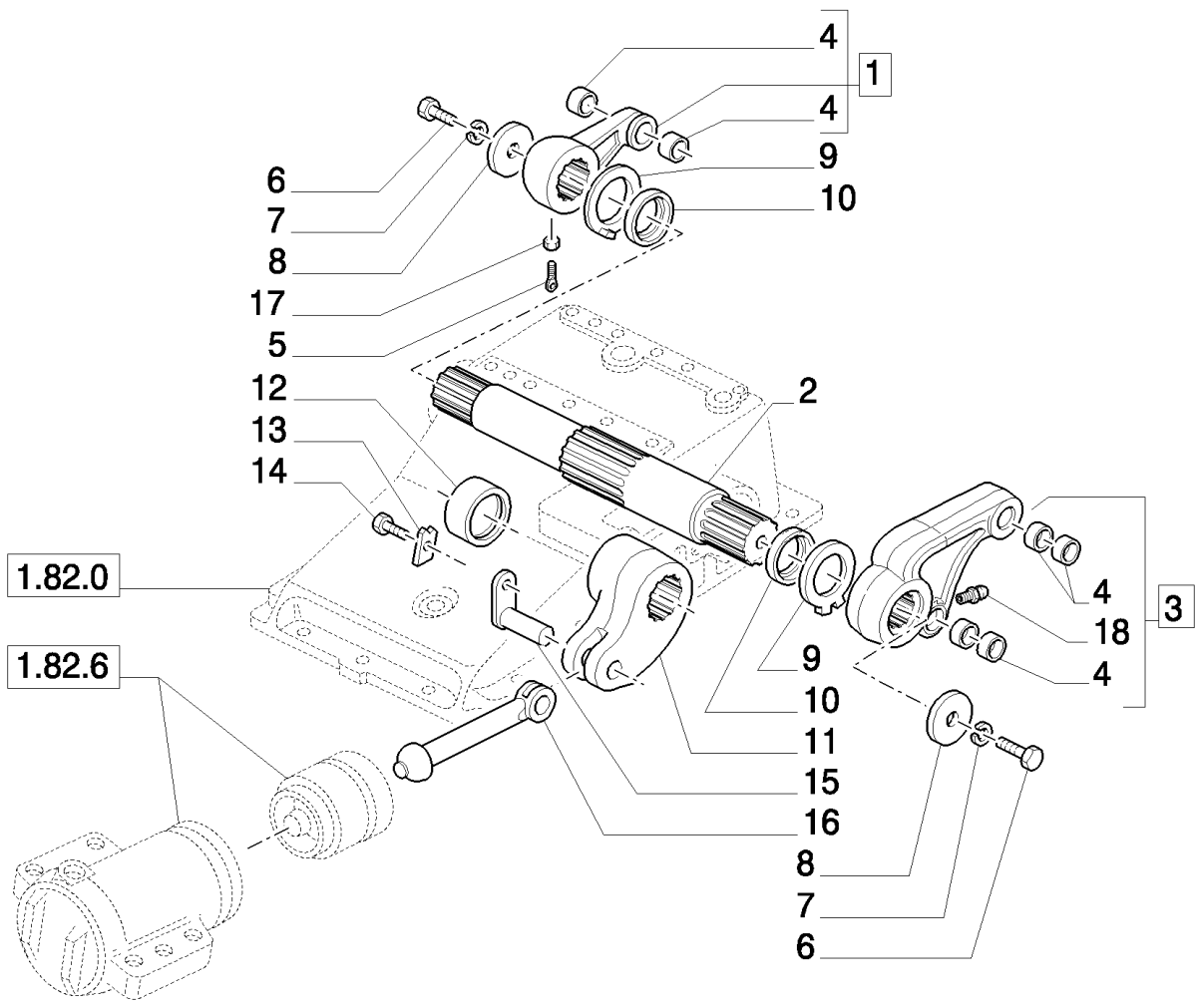
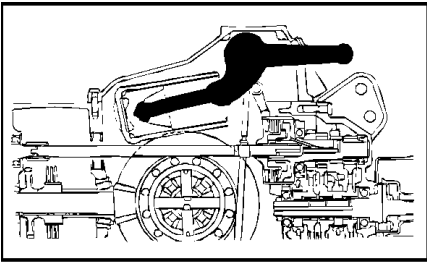


## MXM155 CASE IH TRACTOR (6/02- )

## 1.82.713/07(01) (VAR.396) BRAKING SYSTEM VALVE

сылка	Номер детали	Кол-во	Описание
1	5191851	1	HOSE, FLEXIBLE, RH
2	5191852	1	HOSE, FLEXIBLE, LH
3	47126821	1	VALVE, HYDRAULIC,
4	5153030	2	SCREW, BLEED,
5	5155679	2	CONNECTOR, HYD.,
6	10261060	4	WASHER, COPPER, M12.2 x 16 x 1.5,
7	5155678	2	GASKET,
8	81871475	1	COVER,
9	81874592	1	SCREW, BLEED,
10	16043124	3	BOLT, Hex, M8 x 14, 8.8, Full Thd,
11	10516674	3	WASHER, LOCK, 5/16", (M8)
12	82018647	1	BRACKET,
13	14560087	1	STRAP, CABLE,

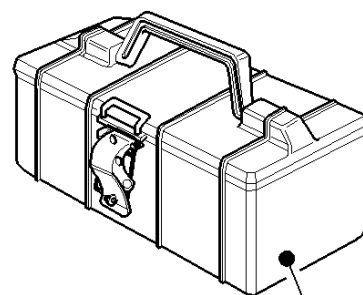
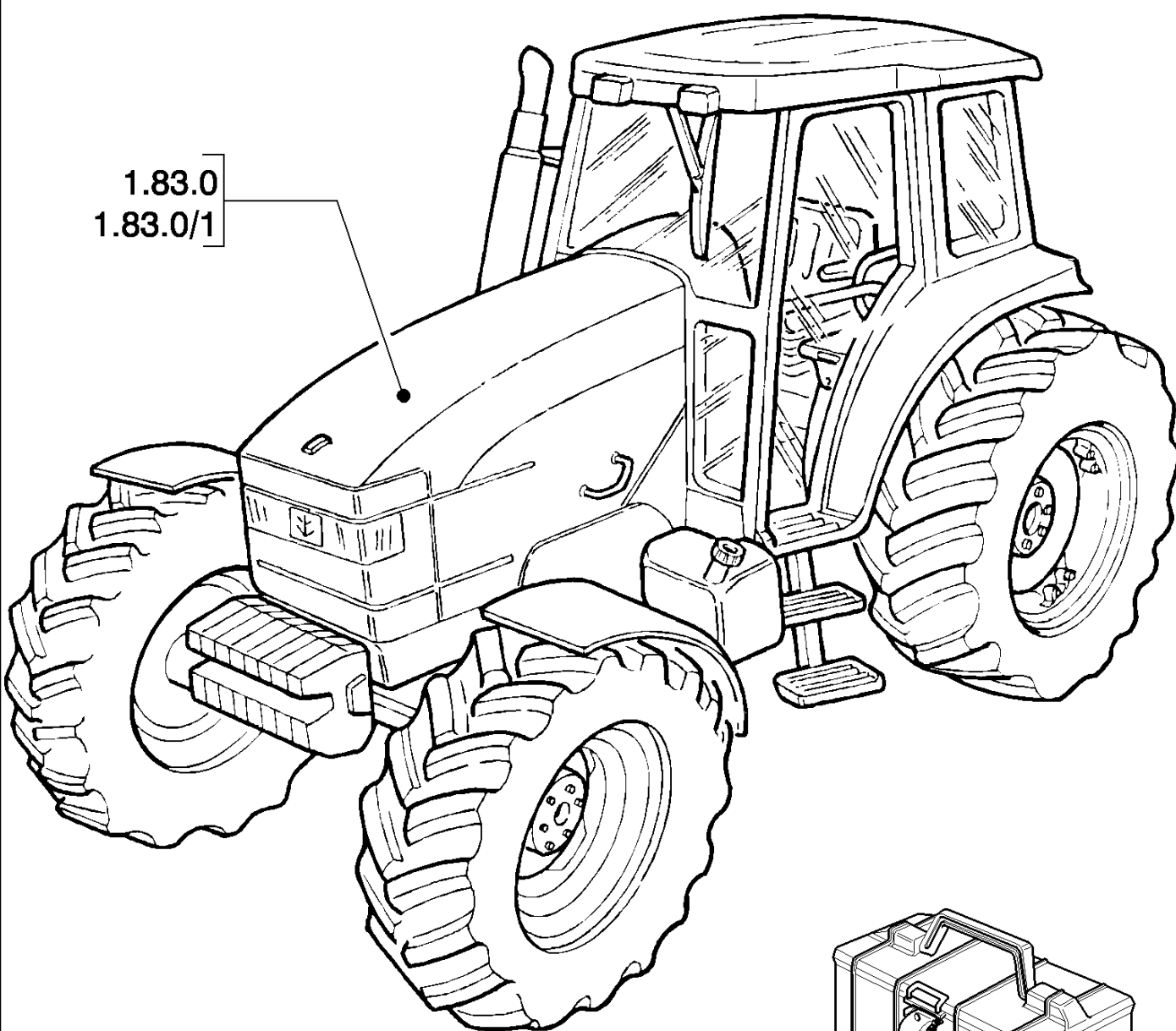
1.82.8 LIFTER, ROCK SHAFT AND ASSOCIATES (HYDRAULIC LIFT)



## MXM155 CASE IH TRACTOR (6/02- )

## 1.82.8 LIFTER, ROCK SHAFT AND ASSOCIATES (HYDRAULIC LIFT)

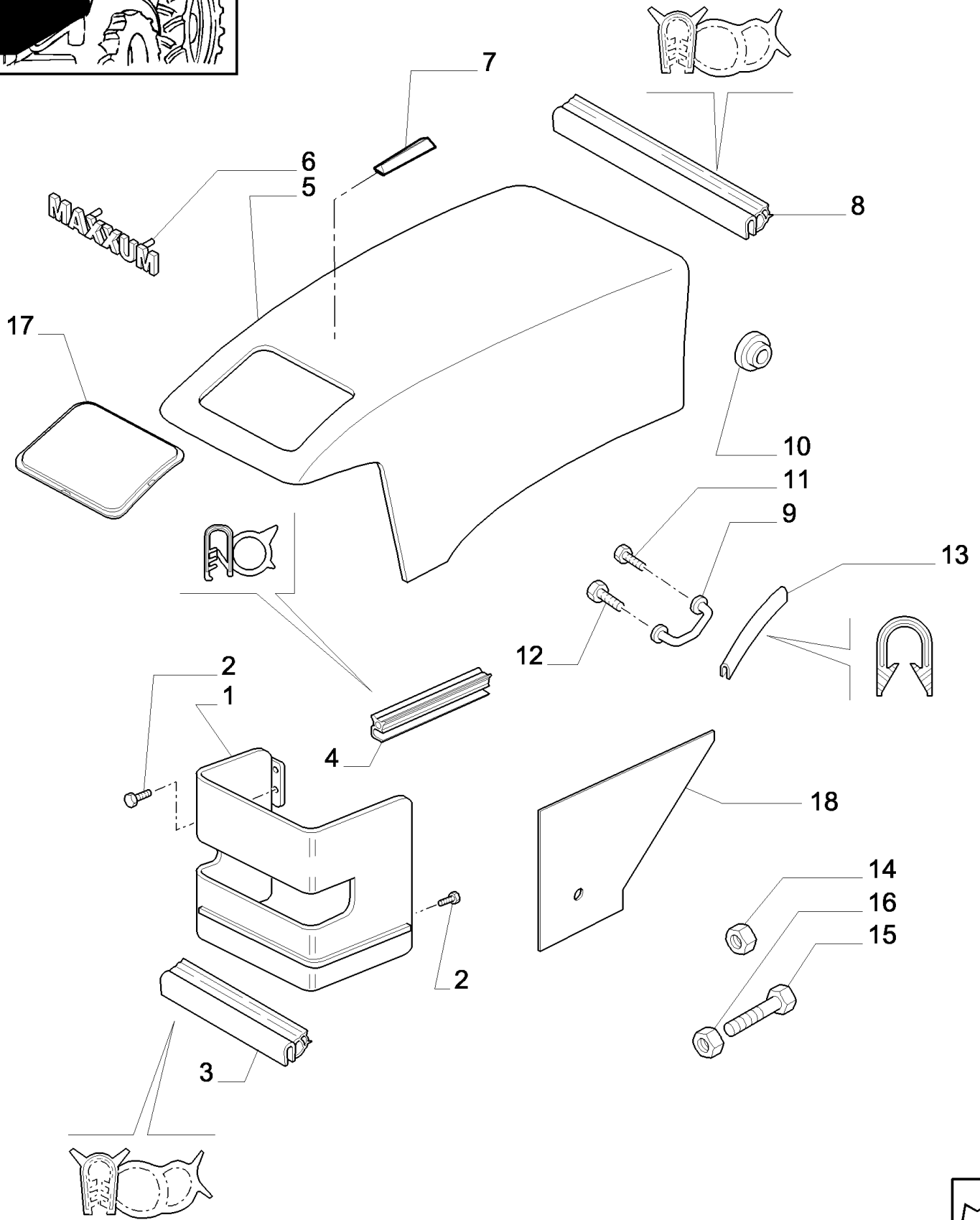
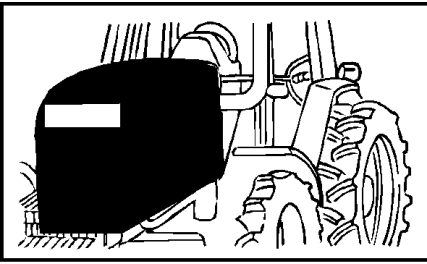
сылка	Номер детали	Кол-во	Описание
1	47128012	1	ARM, LIFT, RH
2	5171027	1	ROCKSHAFT,
3	87317739	1	ARM, LIFT, LH
4	5153140	6	BUSHING,
5	5171855	1	PIN,
6	11422324	2	BOLT, Hex, M14 x 1.5 x 30, 8.8, Full Thd,
7	11194174	2	WASHER, SPRING, Belleville, M10.5,
8	5122898	2	WASHER, LOCK,
9	5162453	2	SPACER,
10	5146367	2	SEAL, 60 x 75 x 8
11	5171139	1	ARM,
12	5171158	1	SPACER,
13	14198810	1	PLATE, LOCKING,
14	15970724	1	BOLT, Hex, M10 x 1.25 x 25, 8.8, Full Thd,
15	5154225	1	PIN,
16	5146366	1	LINK, TOP,
17	15896221	1	NUT, M6, CI 10,
18	13407811	1	NIPPLE, LUBE,



MXM155 CASE IH TRACTOR (6/02- )

1.82.9 SEC. 08 - SHEET METAL

сылка	Номер детали	Кол-во	Описание

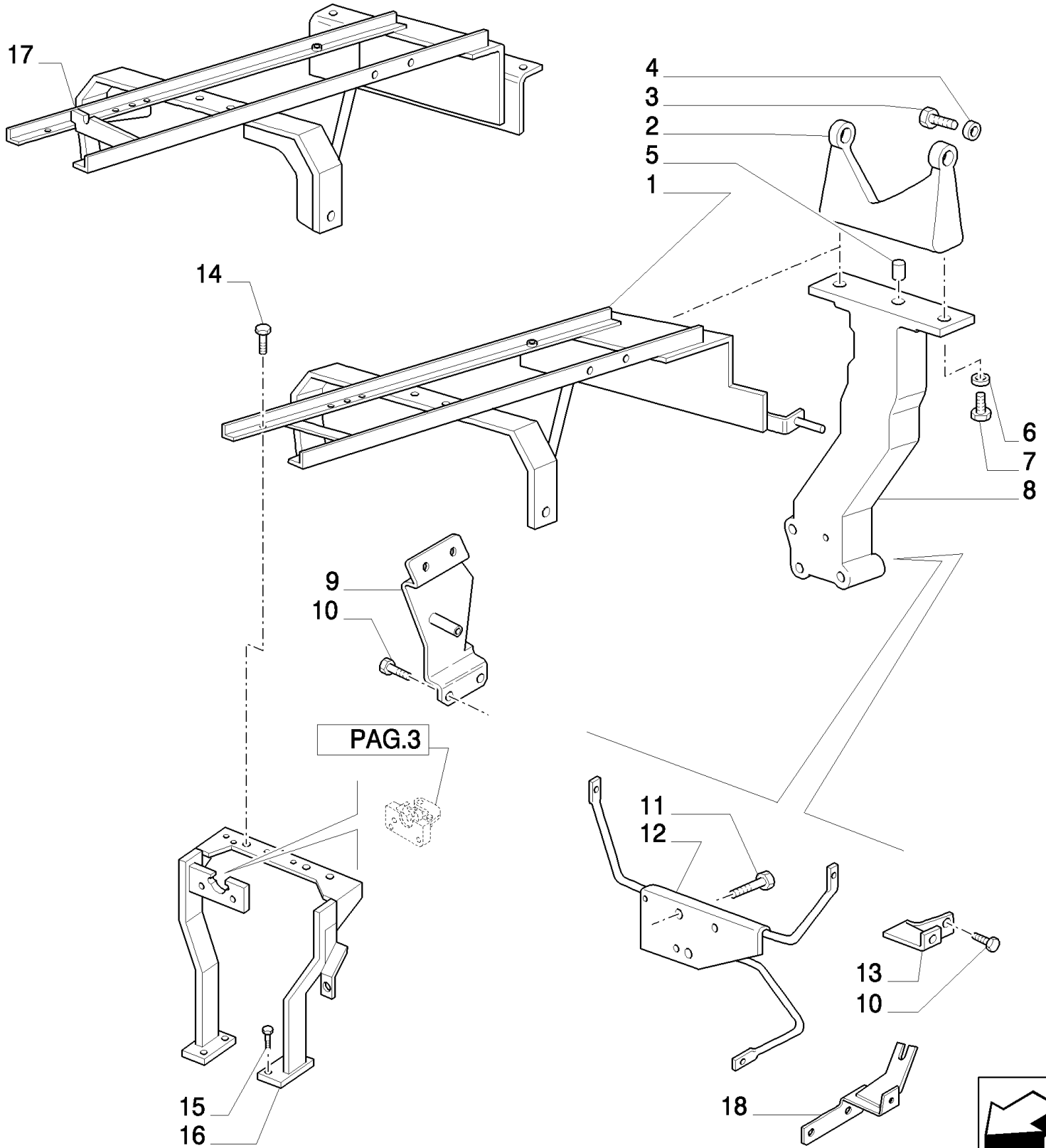
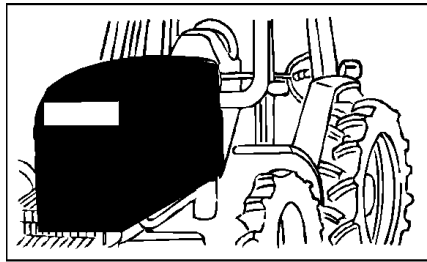


## MXM155 CASE IH TRACTOR (6/02- )

## 1.83.0(01) HOOD

сылка	Номер детали	Кол-во	Описание
1	82026815	1	GRILLE, RADIATOR,
2	81870066	4	SCREW, M6 x 12
3	82027766	1	SEAL, 400 mm
4	87301766	1	GASKET, 1999 mm
5	82036037	1	HOOD, ENGINE,
6	256675A1	1	EMBLEM,
7	1968108C2	1	GUIDE, Hood Sight
8	82027765	1	SEAL, 1256 mm
9	82000454	2	HANDLE,
10	82029599	4	SPACER,
11	11106221	2	BOLT, Hex, M10 x 25, 8.8, Full Thd,
12	11106624	1	BOLT, Hex, M10 x 35, 8.8, Full Thd,
13	83964601	1	MOLDING,
14	86625060	2	NUT, Self, Threading, 1/4",
15	10902224	4	BOLT, Hex, M6 x 16, 8.8, Full Thd,
16	15896221	4	NUT, M6, CI 10,
17	82021805	1	GRILLE, Hood Panel
18	82032519	1	GUARD, Heat Shield

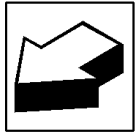
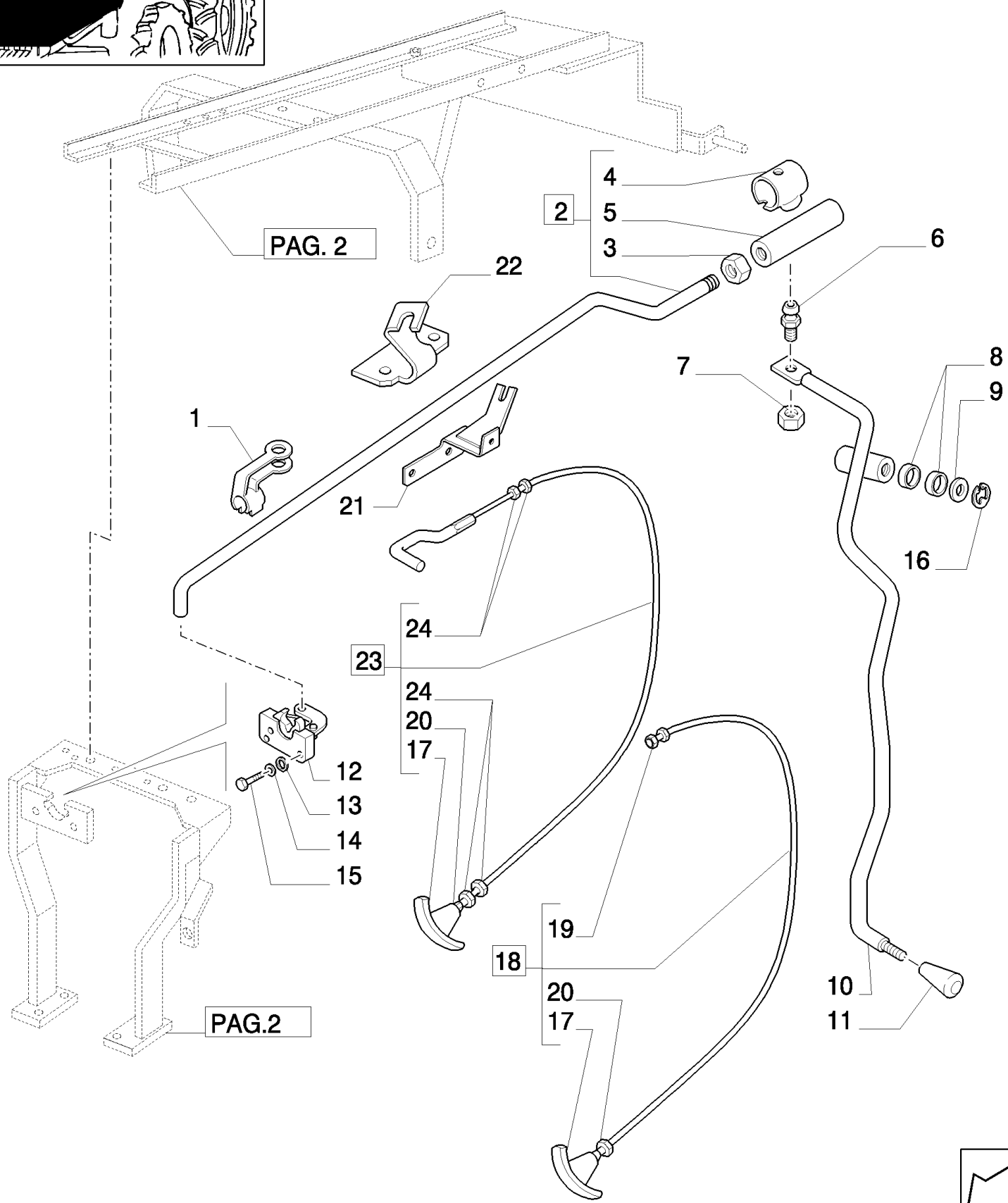
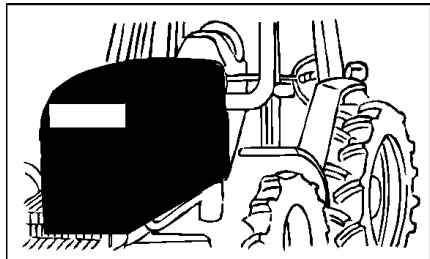




## MXM155 CASE IH TRACTOR (6/02- )

## 1.83.0(02) HOOD

сылка	Номер детали	Кол-во	Описание
1	82029325	1	SUPPORT, , BSN 201778
2	82016293	1	HINGE,
3	89845583	2	BOLT,
4	89846307	2	BEARING, NYLON,
5	82006056	1	PIN,
6	14496901	1	WASHER, M16 x 30 x 3,
7	412398	2	BOLT, Hex, M16 x 50, 10.9,
8	82033237	1	SUPPORT,
9	82016308	1	BRACKET, RH, BSN 217254
9	82033911	1	BRACKET, RH, 217255-C5255
9	87381145	1	BRACKET, RH, D5255-
10	16204234	4	BOLT, Hex, M10 x 20, Full Thd,
11	81834248	3	BOLT, Cap, 68, 7/16"-14 x 3-1/4"
11	82934377	1	SCREW, 7/16"-14 x 2-1/2"
12	82027383	1	BRACKET,
13	82003747	1	GUIDE, LH, ASN 201778
14	11701721	2	NUT, M10, CI 10,
15	16043624	4	BOLT, Hex, M8 x 25, 8.8, Full Thd,
16	82030303	1	SUPPORT,
17	87391149	1	SUPPORT, , ASN 201779
18	82035553	1	BRACKET, LH, ASN 201779
18	82035558	1	BRACKET, LH, W/Mec. Trans. 20 x 16, BSN 201778

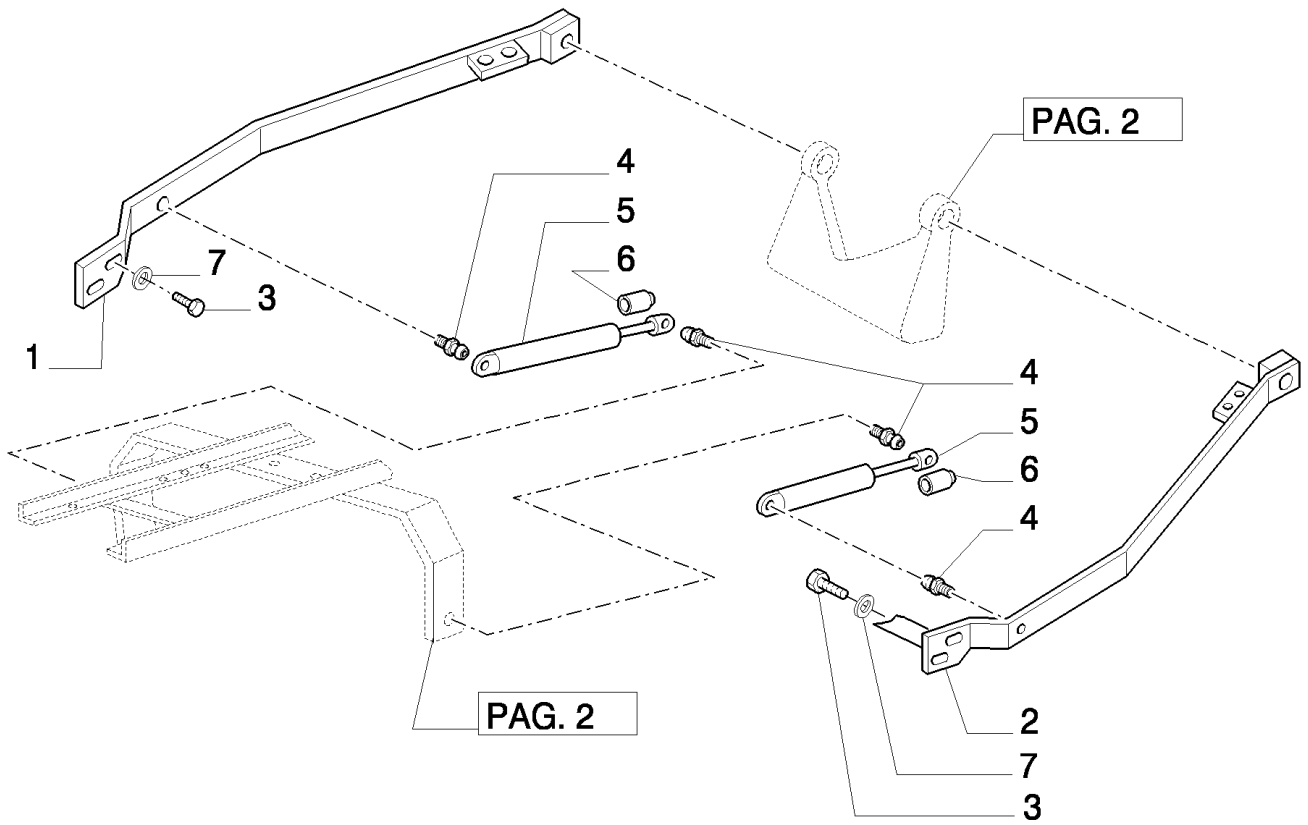
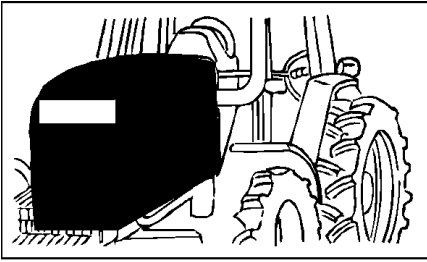


## MXM155 CASE IH TRACTOR (6/02- )

## 1.83.0(03) HOOD - RELEASE MECHANISM

сылка	Номер детали	Кол-во	Описание
1	81874177	1	CLIP,
2	82012648	1	ROD, Latch Release, BSN 201778
3	15896221	1	NUT, M6, CI 10, , BSN 201778
4	82007434	1	CLIP, , BSN 201778
5	82007433	1	SOCKET, , BSN 201778
6	82007432	1	BALL, , BSN 201778
7	80353308	1	NUT, Prevailing Torque, CL 9, M6 x 1
8	83904673	2	BUSHING, , BSN 201778
9	80087364	1	WASHER, SAE, 1/2", BSN 201778
10	82007418	1	LEVER, , BSN 201778
11	83935136	1	KNOB, , BSN 201778
12	89826947	1	LATCH,
13	86517328	4	WASHER, LOCK, M6,
14	12647601	4	WASHER, M6 x 16 x 2,
15	10902624	4	BOLT, Hex, M6 x 25, 8.8, Full Thd,
16	9635806	1	CIRCLIP, #50, .392" Dia, E-Type, , BSN 201778
17	82038438	1	HANDLE, , ASN 201779
18	82031363	1	CABLE, , BTW 201779 & ACM265315
19	80399555	3	NUT, , BTW 201779 & ACM265315
20	15896411	1	NUT, M5, CI 8, , ASN 201779
21	82035553	1	BRACKET, , ASN D201779
21	82035558	1	BRACKET, MXM120, MXM130, MXM140, W/Mec. Trans. 20 x 16, BTW 201779 & ACM262958
22	87344536	1	BRACKET, MXM120, MXM130, MXM140, W/Mec. Trans. 20 x 16, ASN ACM262959
23	87392616	1	CABLE, , ASN ACM265316
24	10791211	1	NUT, Thin, M12 x 1.5, CI 04, , ASN ACM265316

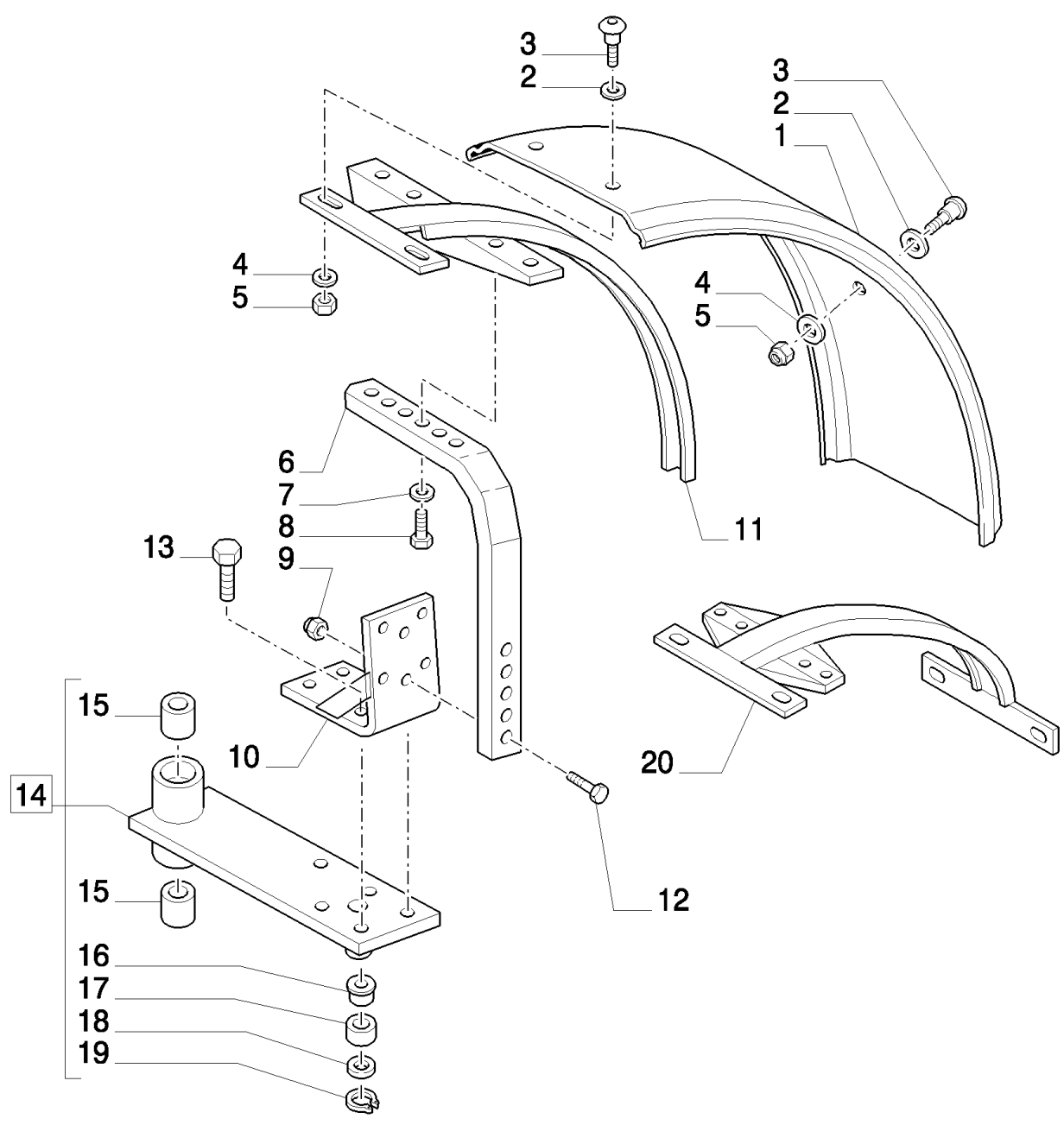
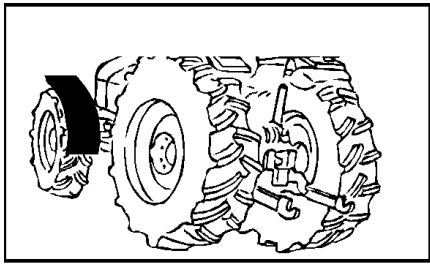
D4808 Serial N.201779 D5205 Serial N.ACM262959 D5307 Serial N.ACM265316



MXM155 CASE IH TRACTOR (6/02- )

1.83.0(04) HOOD, LIFT SUPPORT

сылка	Номер детали	Кол-во	Описание
1	82029601	1	SUPPORT, RH
2	82029602	1	SUPPORT, LH
3	11106221	4	BOLT, Hex, M10 x 25, 8.8, Full Thd,
4	83952214	4	PIN, BALL,
5	82019392	2	SHOCK ABSORBER,
6	82019394	2	SEAL,
7	82029599	2	SPACER,

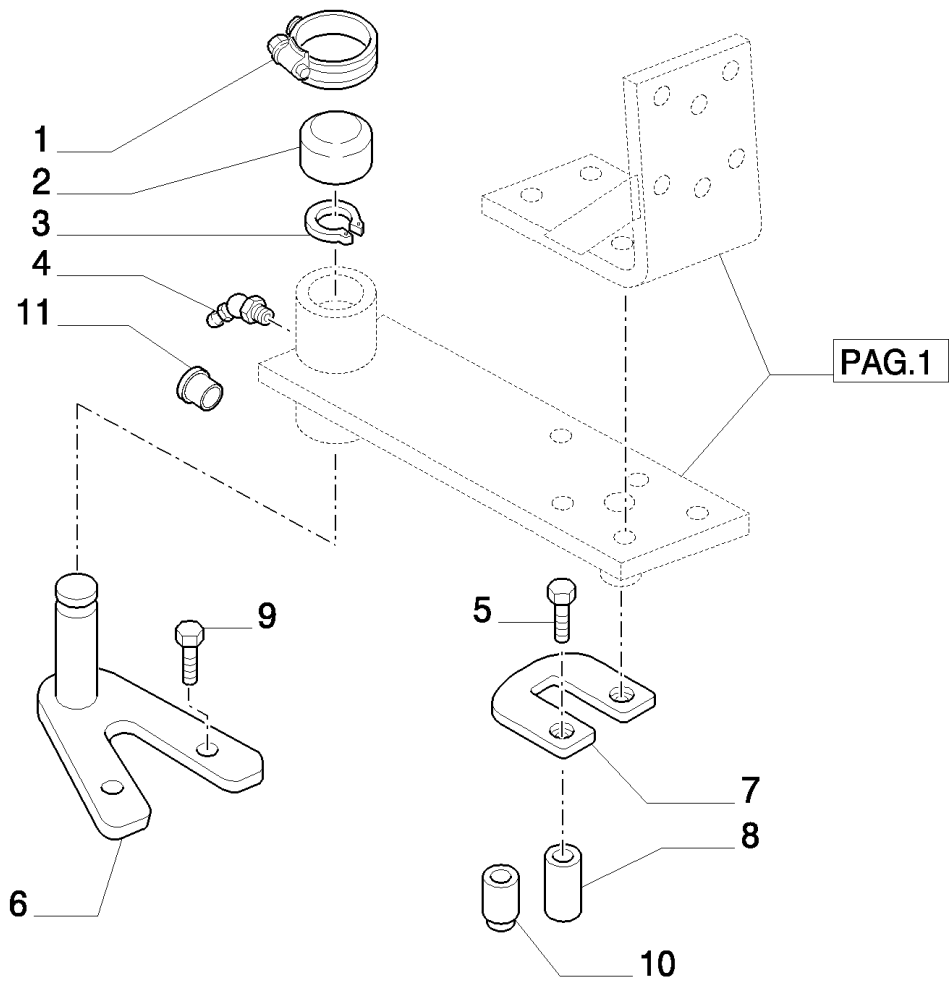
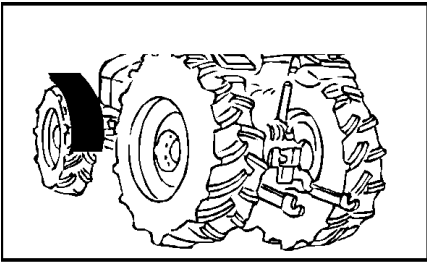


## MXM155 CASE IH TRACTOR (6/02- )

## 1.87.4(01) (VAR.497-575) DYNAMIC FRONT FENDERS (4WD)

сылка	Номер детали	Кол-во	Описание
1	82030645	2	FENDER, FRONT, MXM140, MXM155, MXM175, MXM190, 620mm Wide, VAR.497, BSN ACM251705
1	82018339	2	FENDER, FRONT, MXM120, MXM130, 620mm Wide, VAR.497, BSN ACM251705
1	87308124	2	FENDER, FRONT, MXM120, MXM130, 620mm Wide, VAR.497, ASN ACM251706
1	87308125	2	FENDER, FRONT, MXM140, MXM155, MXM175, MXM190, 620mm Wide, VAR.497, ASN ACM251706
1	87308123	2	FENDER, FRONT, , 480mm Wide, VAR.575
2	81872600	8	WASHER, 7/16"
3	83990985	8	BOLT,
4	12646704	8	WASHER, M8 x 20 x 2,
5	16104511	8	NUT, LOCK, M8 x 1.25, Cl 8.8,
6	82027308	2	ARM, MXM120, MXM130, MXM140, MXM155
6	82031781	1	ARM, LH, MXM175, MXM190
6	82032818	1	ARM, RH, MXM175, MXM190
7	82879352	4	WASHER,
8	15215721	4	BOLT, Hex, M12 x 50, 8.8, Full Thd,
9	12574811	4	NUT, LOCK, M14 x 1.5, Cl 8,
10	82027411	2	BRACKET,
11	82025941	2	BRACKET, , BSN ACM251705
12	16214921	4	BOLT, Hex, M14 x 65,
13	82037607	8	SCREW, M14 x 1.5 x 35
14	82025926	1	LEVER, RH, MXM120, MXM130, MXM140
14	82025927	1	LEVER, LH, MXM120, MXM130, MXM140
14	82025925	2	LEVER, MXM155, MXM175, MXM190
15	82025920	4	BUSHING,
16	83904673	2	BUSHING,
17	82013749	2	GUIDE,
18	14499601	2	WASHER, M12 x 20 x 2.5,
19	11066076	2	RING, SNAP, M12, Ext,
20	87308121	2	SUPPORT, , ACM251706-C5523
20	87554982	2	SUPPORT, , D5523-

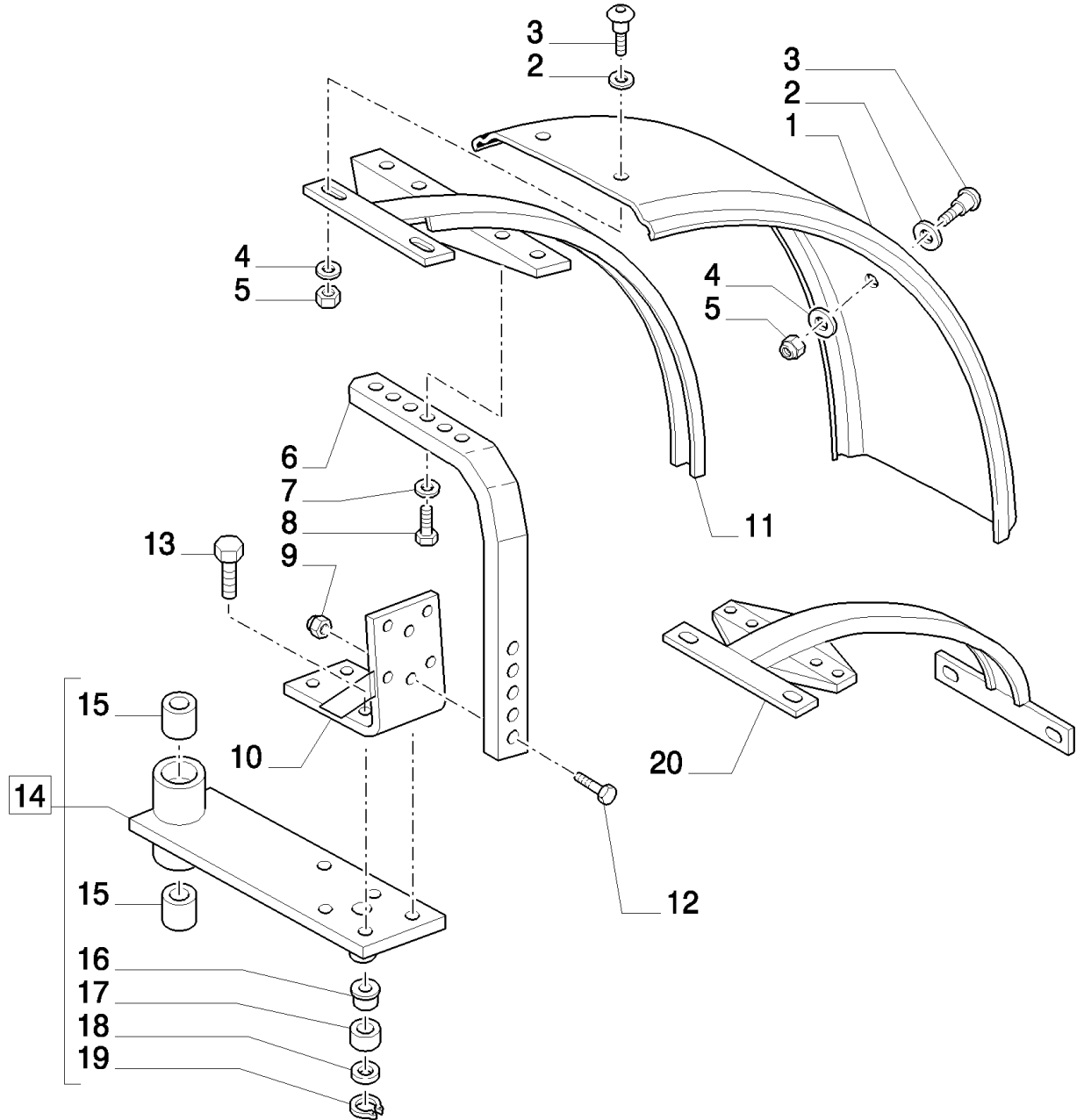
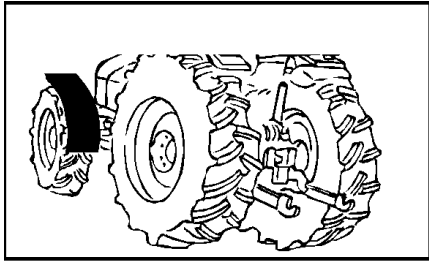




## MXM155 CASE IH TRACTOR (6/02- )

## 1.87.4(02) (VAR.497-575) DYNAMIC FRONT FENDERS (4WD)

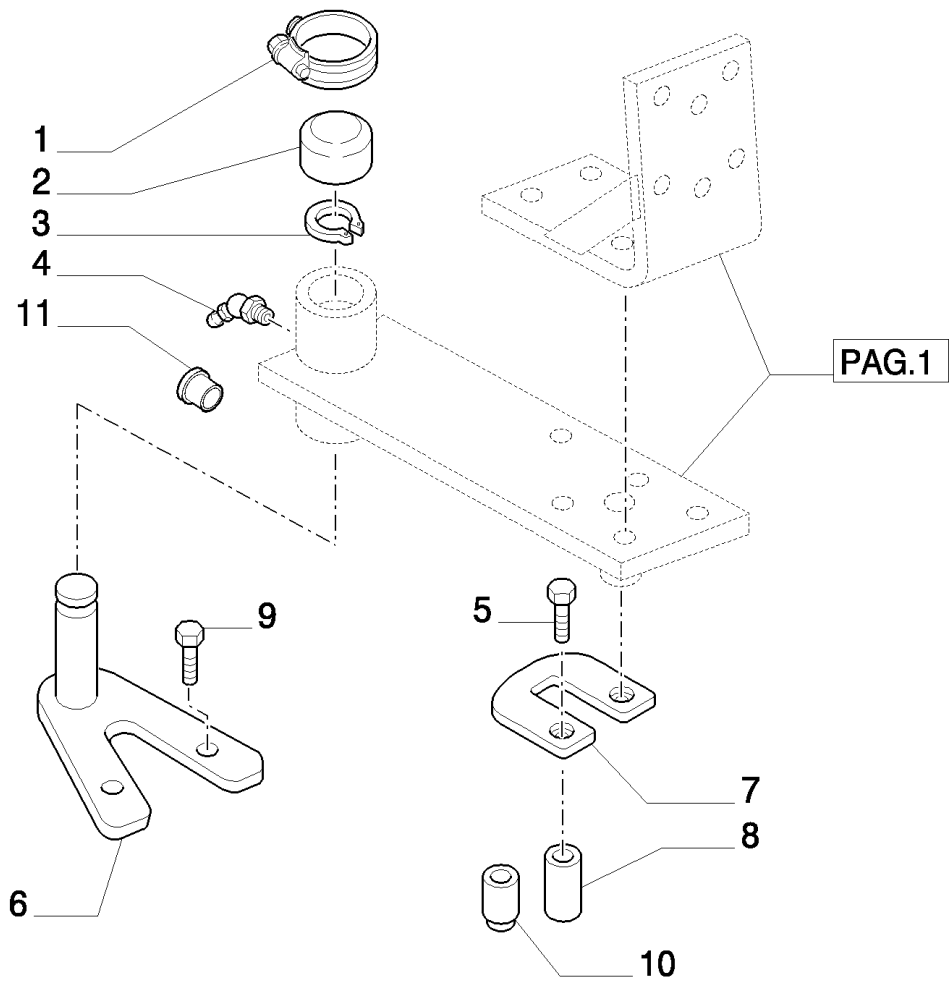
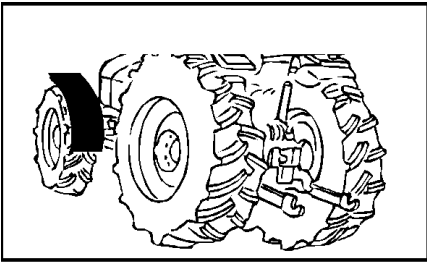
сылка	Номер детали	Кол-во	Описание
1	82039346	2	CLAMP, HOSE,
2	82019114	2	CAP,
3	11067871	2	RING, SNAP, M30, Ext,
4	13407811	2	NIPPLE, LUBE, VAR.497
5	14837634	4	BOLT, Hex, M12 x 1.25 x 110, MXM120, MXM130, MXM140
5	14837734	4	BOLT, Hex, M12 x 1.25 x 120, MXM155, MXM175, MXM190
6	82025924	2	SUPPORT, MXM120, MXM130, MXM140
6	82025922	2	SUPPORT, MXM155, MXM175, MXM190
7	82023851	2	SUPPORT,
8	5184935	4	SPACER, 13 x 25 x 20, MXM120, MXM130, MXM140
8	5182910	3	SPACER, 13 x 25 x 32, MXM155, MXM175, MXM190
9	82037606	4	SCREW, M12 x 55, MXM120, MXM130, MXM140
9	82037607	4	SCREW, M14 x 1.5 x 35, MXM155, MXM175, MXM190
10	82023852	AR	SPACER, 13 x 25 x 65
11	87304051	4	CAP, VAR.575



## MXM155 CASE IH TRACTOR (6/02- )

## 1.87.4/01(01) (VAR.497/1-511/1) DYNAMIC FRONT FENDERS (4WD) FOR SUPERSTEER OR SUSP. FRONT AXLE

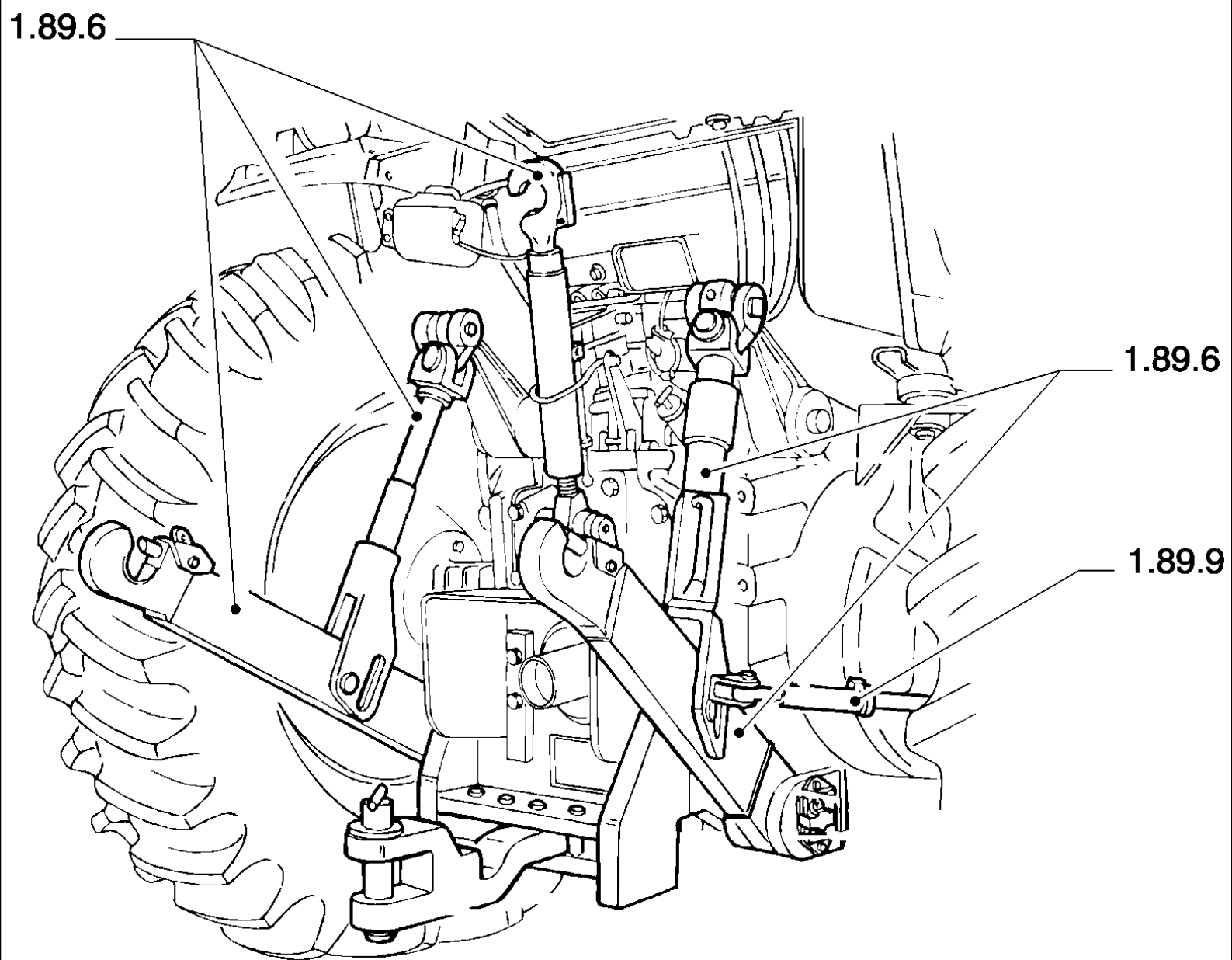
сылка	Номер детали	Кол-во	Описание
1	82030645	2	FENDER, FRONT, MXM140, MXM155, MXM175, MXM190, BSN ACM251705
1	82018339	2	FENDER, FRONT, MXM120, MXM130, BSN ACM251705
1	87308125	2	FENDER, FRONT, MXM140, MXM155, MXM175, MXM190, 620mm Wide, VAR.497/1, ASN ACM251706
1	87308124	2	FENDER, FRONT, MXM120, MXM130, 620mm Wide, VAR.497/1, ASN ACM251706
1	87308123	2	FENDER, FRONT, , 480mm Wide, VAR.511/1
2	81872600	AR	WASHER, 7/16" x 1.62 x 0.10
3	83990985	AR	BOLT,
4	12646704	AR	WASHER, M8 x 20 x 2,
5	16104511	AR	NUT, LOCK, M8 x 1.25, CI 8.8,
6	82027308	2	ARM,
7	82879352	4	WASHER,
8	15215721	4	BOLT, Hex, M12 x 50, 8.8, Full Thd,
9	12574811	4	NUT, LOCK, M14 x 1.5, CI 8,
10	82027411	2	BRACKET,
11	82025941	2	BRACKET, , BSN ACM251705
12	16214921	4	BOLT, Hex, M14 x 65,
13	82037607	8	SCREW, M14 x 1.5 x 35
14	82025925	2	LEVER, VAR.497/1
14	82025926	1	LEVER, VAR.511/1
14	82025927	1	LEVER, VAR.511/1
15	82025920	4	BUSHING,
16	83904673	2	BUSHING,
17	82013749	2	GUIDE,
18	14499601	2	WASHER, M12 x 20 x 2.5,
19	11066076	2	RING, SNAP, M12, Ext,
20	87308121	2	SUPPORT, , ACM251706-C5523
20	87554982	2	SUPPORT, , D5523-



## MXM155 CASE IH TRACTOR (6/02- )

## 1.87.4/01(02) (VAR.497/1-511/1) DYNAMIC FRONT FENDERS (4WD) FOR SUPERSTEER OR SUSP. FRONT AXLE

сылка	Номер детали	Кол-во	Описание
1	82039346	2	CLAMP, HOSE,
2	82019114	2	CAP,
3	11067871	2	RING, SNAP, M30, Ext,
4	13407811	2	NIPPLE, LUBE,
5	14837734	4	BOLT, Hex, M12 x 1.25 x 120, VAR.497/1
5	14837634	4	BOLT, Hex, M12 x 1.25 x 110, VAR.511/1
6	82025922	2	SUPPORT, VAR.497/1
6	85025924	2	VAR.511/1
7	82023851	2	SUPPORT,
8	5182910	4	SPACER, 13 x 25 x 32, VAR.497/1
8	5184935	4	SPACER, VAR.511/1
9	82037608	4	SCREW, M14 x 1.5 x 55, VAR.497/1
9	82037606	4	SCREW, VAR.511/1
10	82023852	4	SPACER, 13 x 25 x 65
11	87304051	4	CAP, VAR.511/1

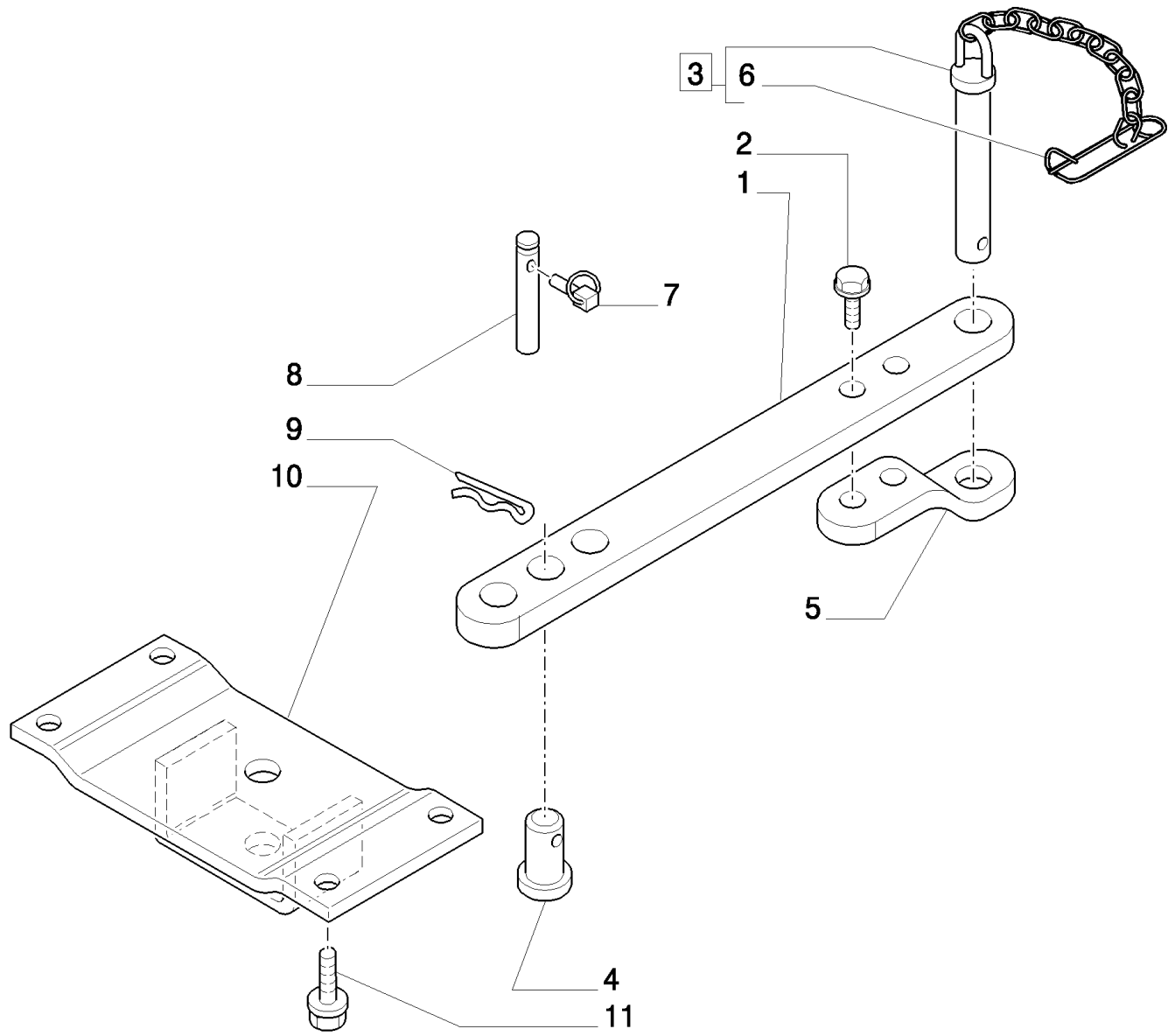
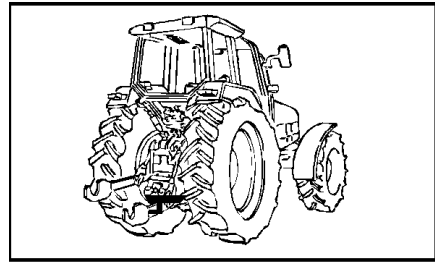


MXM155 CASE IH TRACTOR (6/02- )

1.88.0 SEC. 09 - LINKAGE

сылка	Номер детали	Кол-во	Описание

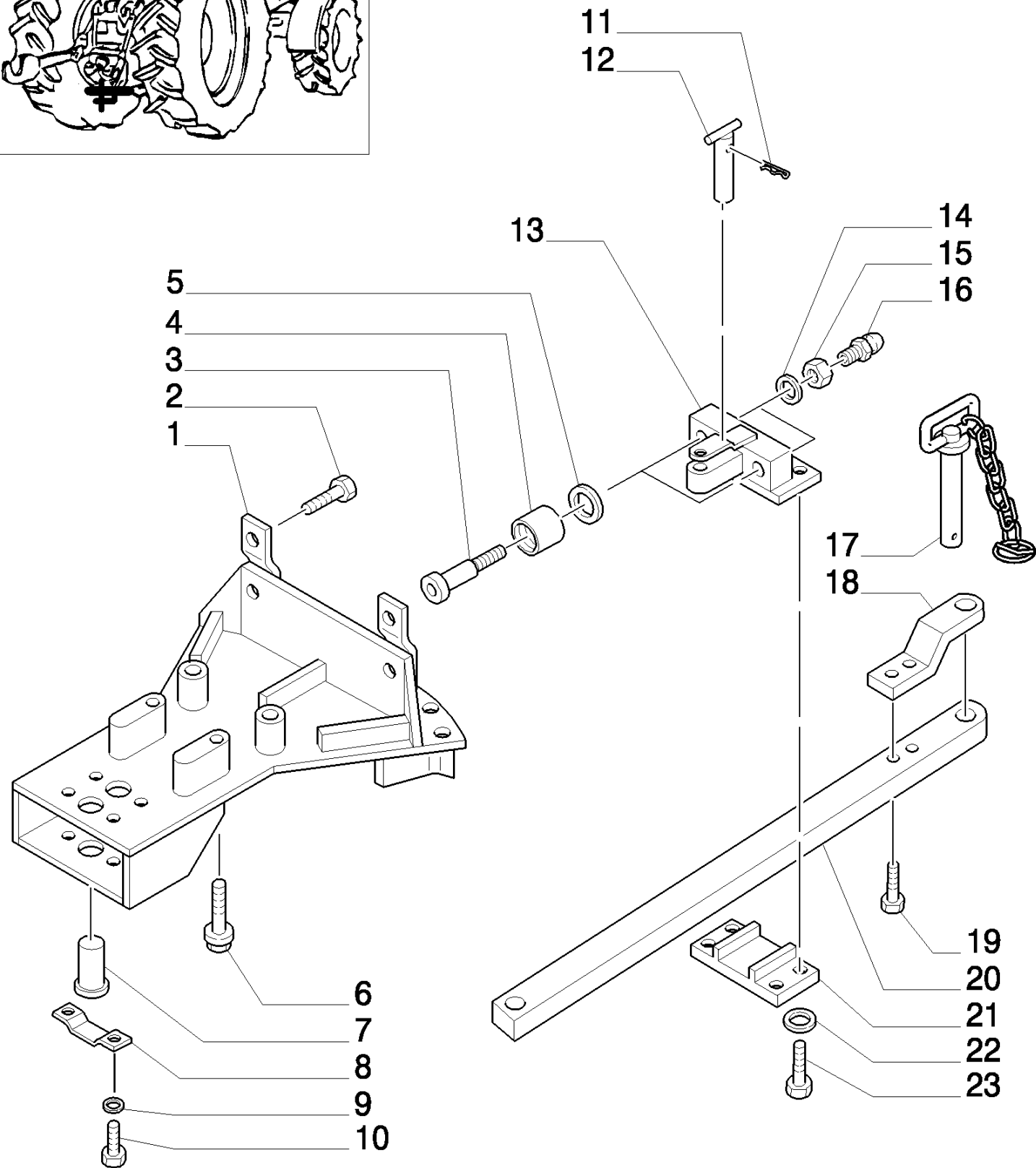
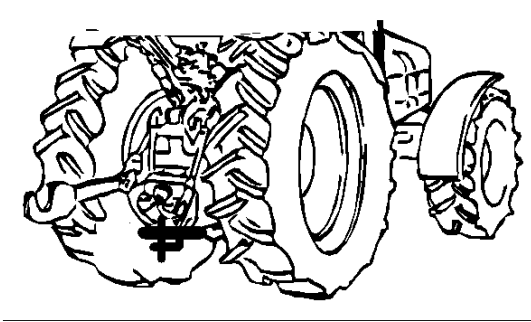




## MXM155 CASE IH TRACTOR (6/02- )

## 1.89.0 (VAR.907) DRAWBAR FOR SLIDING SUPPORT

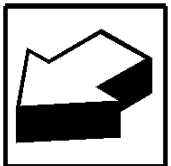
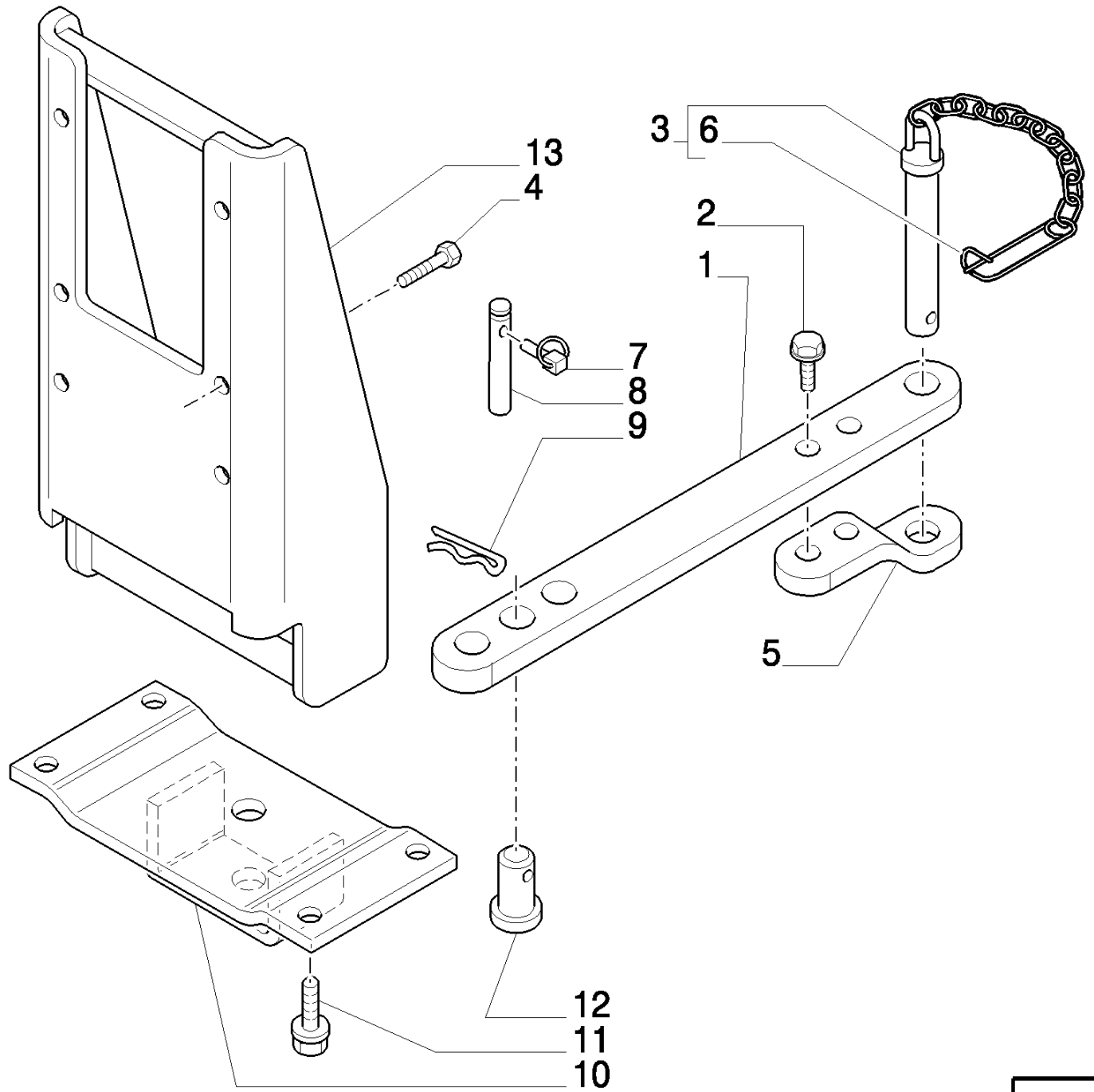
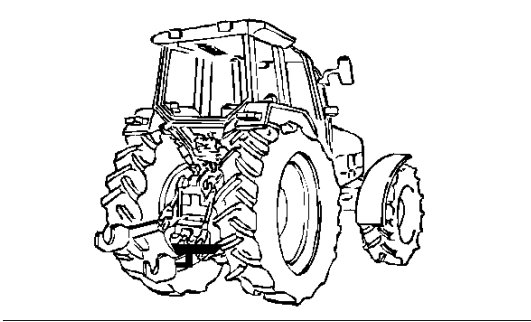
сылка	Номер детали	Кол-во	Описание
1	82028263	1	DRAWBAR, Incl. 2, 5, MXM120, MXM130, MXM140, MXM155
1	82028264	1	DRAWBAR, Incl. 2, 5, MXM175, MXM190
2	11125234	2	BOLT, Hex, M20 x 75, 10.9,
3	5163732	1	PIN, HITCH,
4	82014781	1	PIN, MXM120, MXM130, MXM140, MXM155
4	81866935	1	PIN, MXM175, MXM190
5	82026931	1	CLEVIS,
6	5152004	1	PIN, LOCK,
7	82014909	2	PIN, LOCK,
8	82015207	2	PIN,
9	82000094	1	PIN, SPLIT (COTTER),
10	82019203	1	PLATE, MXM120, MXM130, MXM140, MXM155
10	82028927	1	BRACKET, MXM175, MXM190
11	82011127	4	SCREW, M18 x 1.5 x 115, MXM120, MXM130, MXM140, MXM155
11	82018940	1	SCREW, Hex Flg, Usr, M18 x 1.5 x 40, Full Thd, MXM175, MXM190



## MXM155 CASE IH TRACTOR (6/02- )

## 1.89.0/01 (VAR.910) TOW-BAR WITH ROLLERS

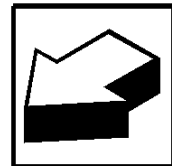
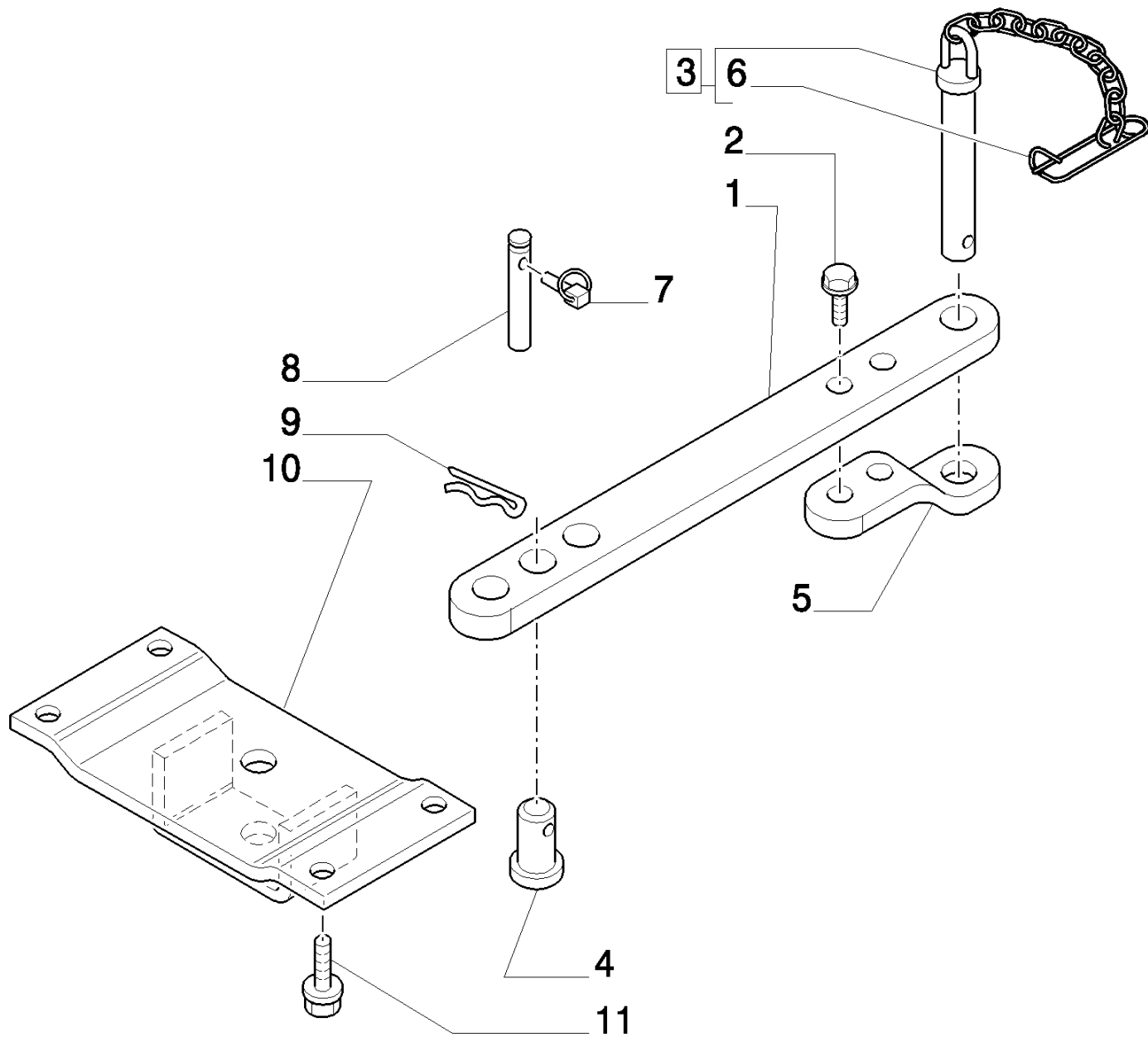
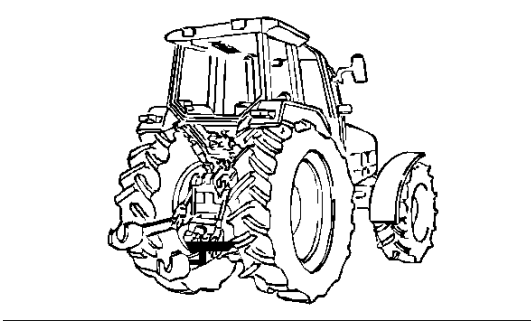
сылка	Номер детали	Кол-во	Описание
1	82027757	1	SUPPORT, MXM120, MXM130, MXM140, MXM155
1	82028925	1	SUPPORT, MXM175, MXM190
2	11244634	4	BOLT, Hex, M18 x 1.5 x 60, 10.9,
2	15984124	2	BOLT, Hex, M18 x 1.5 x 45, 8.8, Full Thd,
3	83954368	2	BOLT,
4	83954370	2	ROLLER,
5	83954373	2	WASHER,
6	82011127	4	SCREW, M18 x 1.5 x 115, MXM120, MXM130, MXM140, MXM155
6	82001975	4	SCREW, M18 x 1.5 x 80, MXM175, MXM190
7	82014774	1	PIN, TOWBAR,
8	82021060	1	PLATE,
9	80088542	2	BOLT, Cap, HH, G5, 1/4"-20 x 1/2"
10	89707580	2	SCREW, Cap, HH, G5, 1/4"-20 x 3/4"
11	82026318	1	PIN, SPLIT (COTTER),
12	82029383	1	PIN, SPLIT (COTTER),
13	82027972	1	SUPPORT,
14	80087340	2	WASHER, LOCK, 3/4"
15	83927122	2	NUT, 3/4"-16
16	80710	2	NIPPLE, LUBE, 1/8"-27 x .66 lg,
17	83954379	1	PIN, HITCH,
18	82026931	1	CLEVIS,
19	11125234	2	BOLT, Hex, M20 x 75, 10.9,
20	82027758	1	DRAWBAR, Incl. 18, 19
21	82027968	1	PLATE,
22	10517274	4	WASHER, LOCK,
23	83918228	4	SCREW, Cap, HH, G5, 5/8"-11 x 3-1/2"



## MXM155 CASE IH TRACTOR (6/02- )

## 1.89.0/02 (VAR.912) SWAY-BAR (EUROPE)

сылка	Номер детали	Кол-во	Описание
1	82028263	1	DRAWBAR, Incl. 2, 5, MXM120, MXM130, MXM140, MXM155
1	82028264	1	DRAWBAR, Incl. 2, 5, MXM175, MXM190
2	11125234	2	BOLT, Hex, M20 x 75, 10.9,
3	5163732	1	PIN, HITCH,
4	16220874	6	BOLT, Hex, M18 x 45,
5	82026931	1	CLEVIS,
6	5152004	1	PIN, LOCK,
7	82014909	2	PIN, LOCK,
8	82015207	4	PIN,
9	82000094	1	PIN, SPLIT (COTTER),
10	82019203	1	PLATE, MXM120, MXM130, MXM140, MXM155
10	82028927	1	BRACKET, MXM175, MXM190
11	82011127	4	SCREW, M18 x 1.5 x 115, MXM120, MXM130, MXM140, MXM155
11	82018940	1	SCREW, Hex Flg, Usr, M18 x 1.5 x 40, Full Thd, MXM175, MXM190
12	82014781	1	PIN, MXM120, MXM130, MXM140, MXM155
12	81866935	1	PIN, MXM175, MXM190
13	82014785	1	SUPPORT,

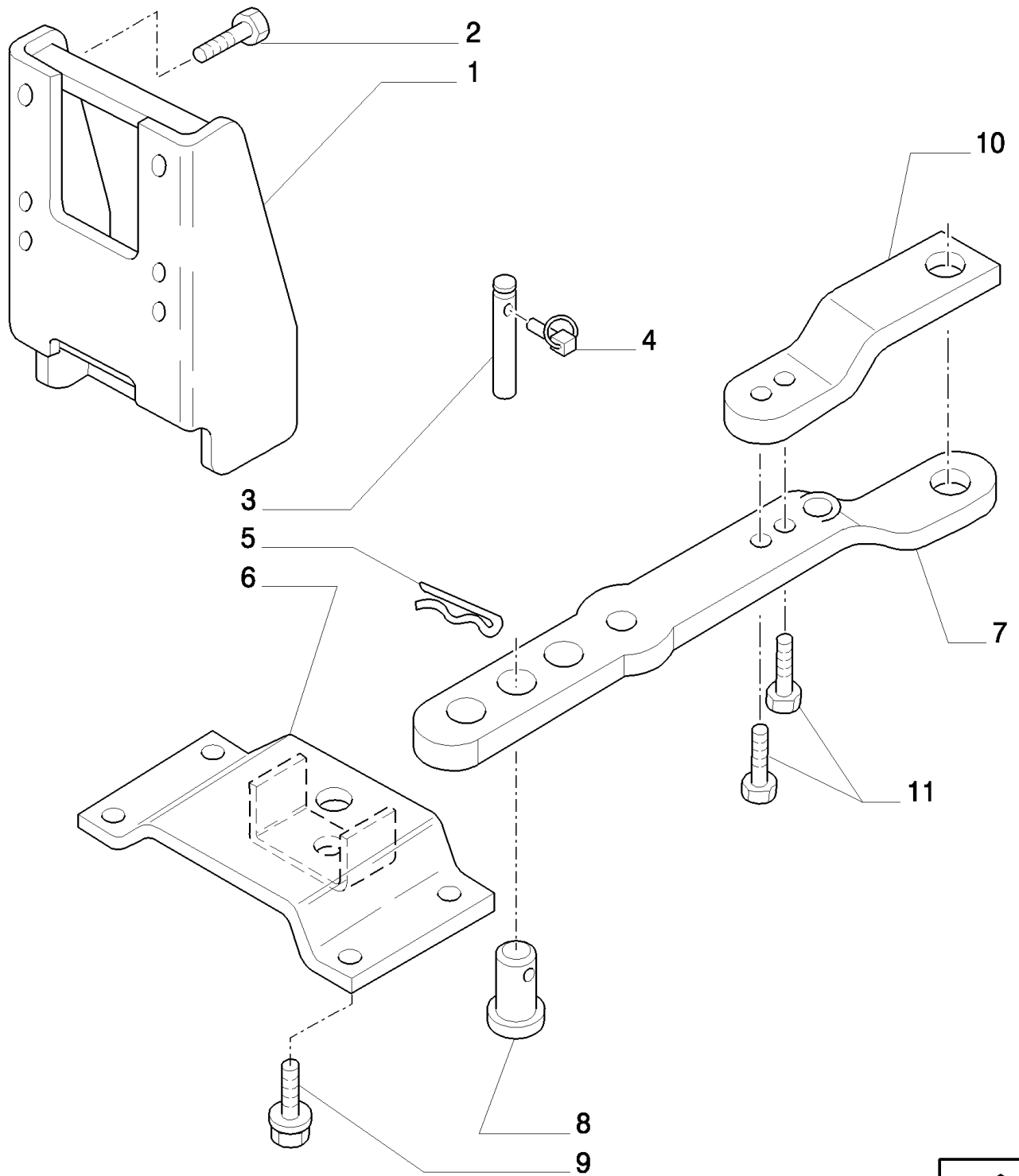
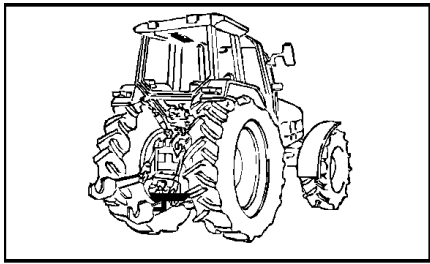


## MXM155 CASE IH TRACTOR (6/02- )

## 1.89.0/03 (VAR.913) DRAWBAR (29MM) FOR ITALY

сылка	Номер детали	Кол-во	Описание
1	82028265	1	DRAWBAR, Incl. 2, 5, MXM120, MXM130, MXM140, MXM155
1	82028266	1	DRAWBAR, Incl. 2, 5, MXM175, MXM190
2	11125234	2	BOLT, Hex, M20 x 75, 10.9,
3	5162713	1	PIN, HITCH,
4	82014781	1	PIN, MXM120, MXM130, MXM140, MXM155
4	81866935	1	PIN, MXM175, MXM190
5	82026909	1	SUPPORT,
6	5152004	1	PIN, LOCK,
7	82014909	2	PIN, LOCK,
8	82015207	4	PIN,
9	82000094	1	PIN, SPLIT (COTTER),
10	82019203	1	PLATE, MXM120, MXM130, MXM140, MXM155
10	82028927	1	BRACKET, MXM175, MXM190
11	82011127	4	SCREW, M18 x 1.5 x 115, MXM120, MXM130, MXM140, MXM155
11	82018940	4	SCREW, Hex Flg, Usr, M18 x 1.5 x 40, Full Thd, MXM175, MXM190

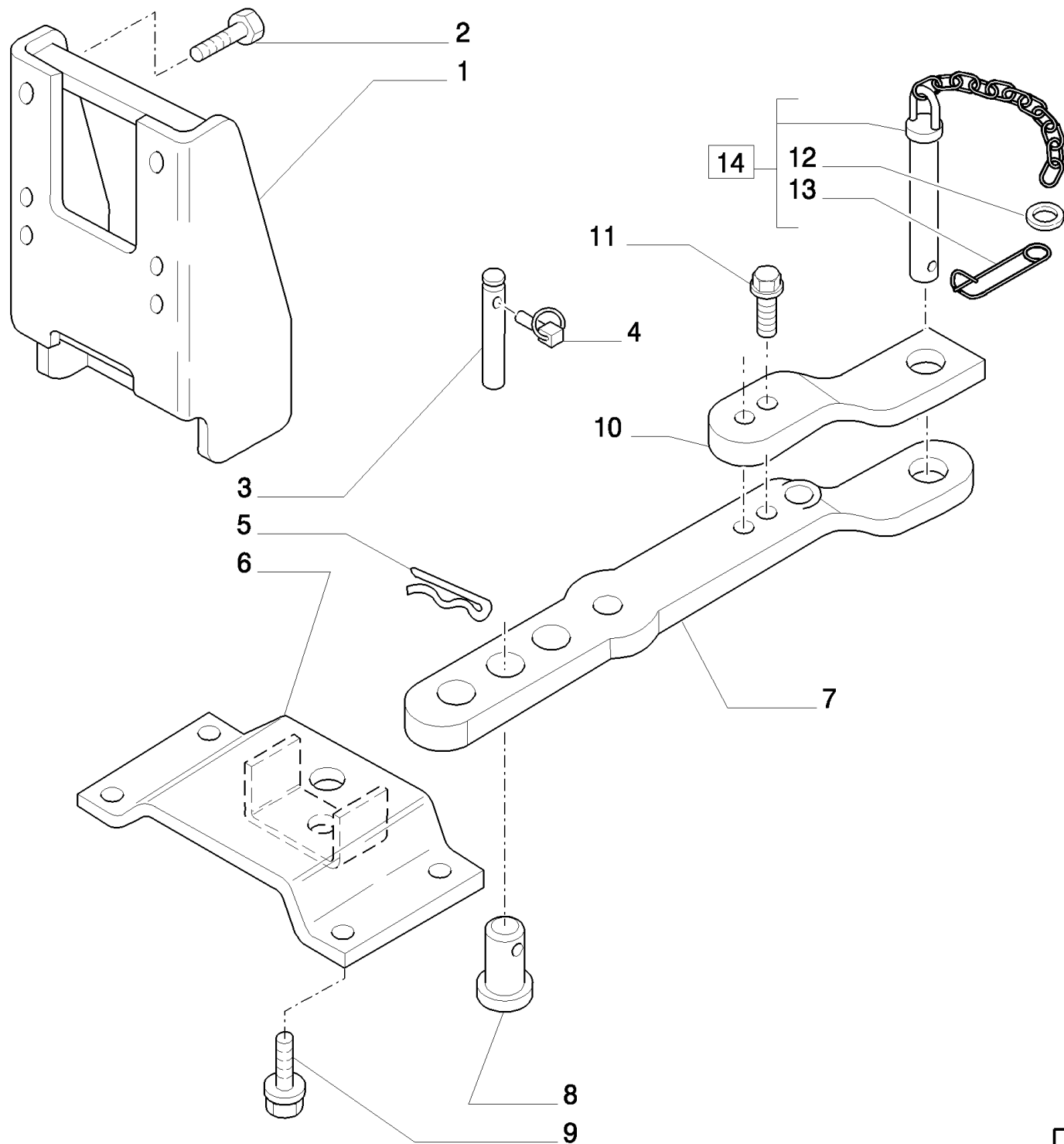
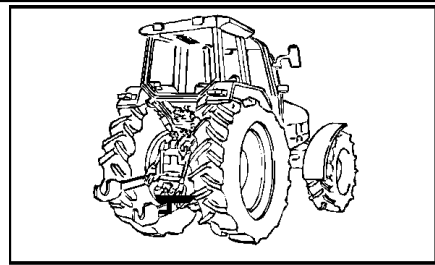




MXM155 CASE IH TRACTOR (6/02- )

1.89.0/04 (VAR.914) SWAY-BAR (NASO)

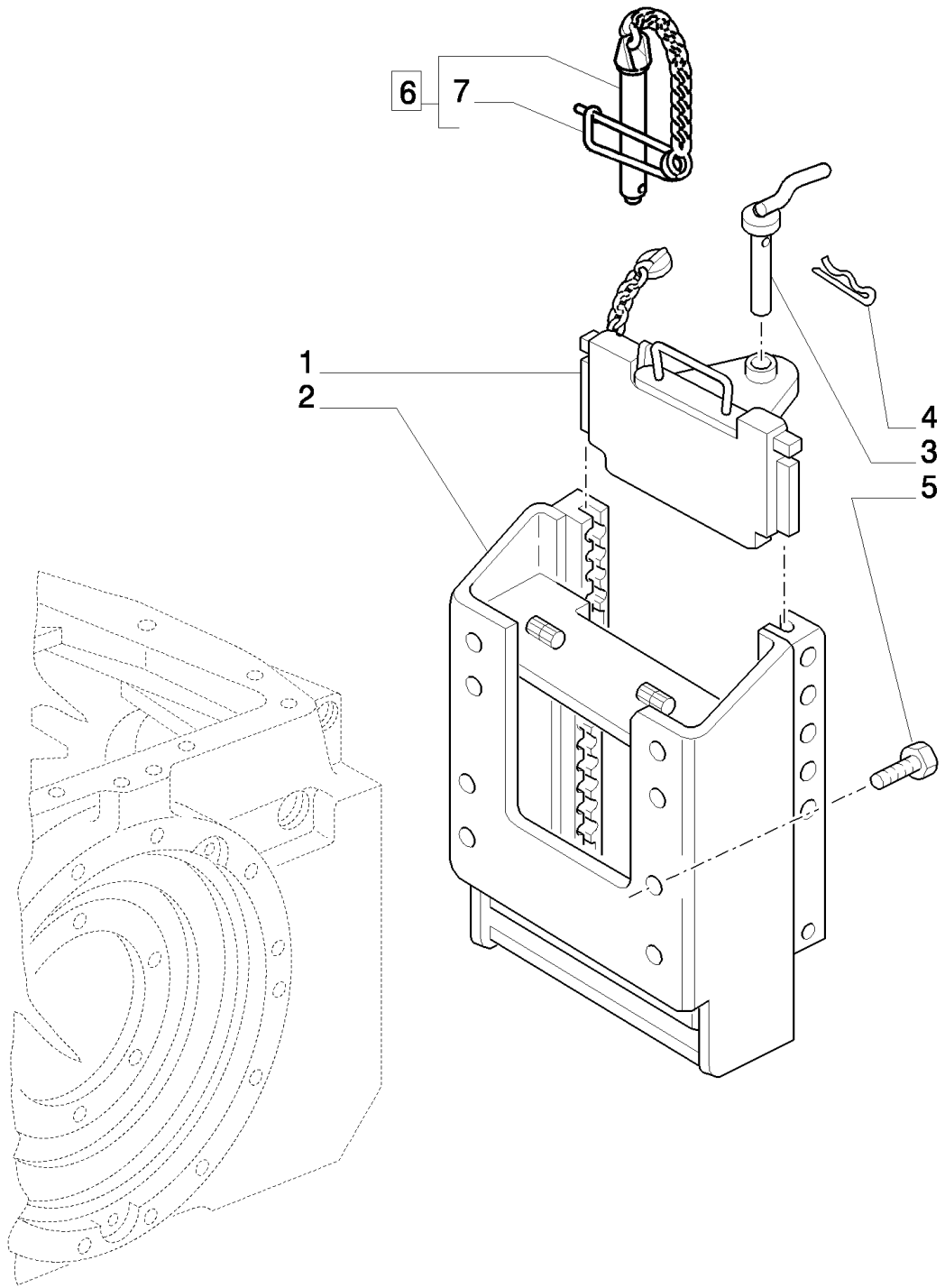
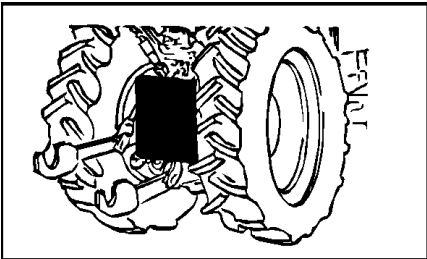
сылка	Номер детали	Кол-во	Описание
1	82027759	1	SUPPORT,
2	16220874	4	BOLT, Hex, M18 x 45,
3	82015207	2	PIN,
4	82014909	2	PIN, LOCK,
5	82000094	1	PIN, SPLIT (COTTER),
6	82027398	1	BRACKET, MXM120, MXM130, MXM140, MXM155
6	82028926	1	BRACKET, MXM175, MXM190
7	82027760	1	DRAWBAR, MXM120, MXM130, MXM140, MXM155
7	82028979	1	DRAWBAR, MXM175, MXM190
8	82014781	1	PIN, MXM120, MXM130, MXM140, MXM155
8	81866935	1	PIN, MXM175, MXM190
9	82011127	4	SCREW, M18 x 1.5 x 115, MXM120, MXM130, MXM140, MXM155
9	82018940	4	SCREW, Hex Flg, Usr, M18 x 1.5 x 40, Full Thd, MXM175, MXM190
10	82027418	1	SUPPORT,
11	11125234	1	BOLT, Hex, M20 x 75, 10.9,



MXM155 CASE IH TRACTOR (6/02- )

1.89.0/05 (VAR.839) SWAY-BAR (NASO)

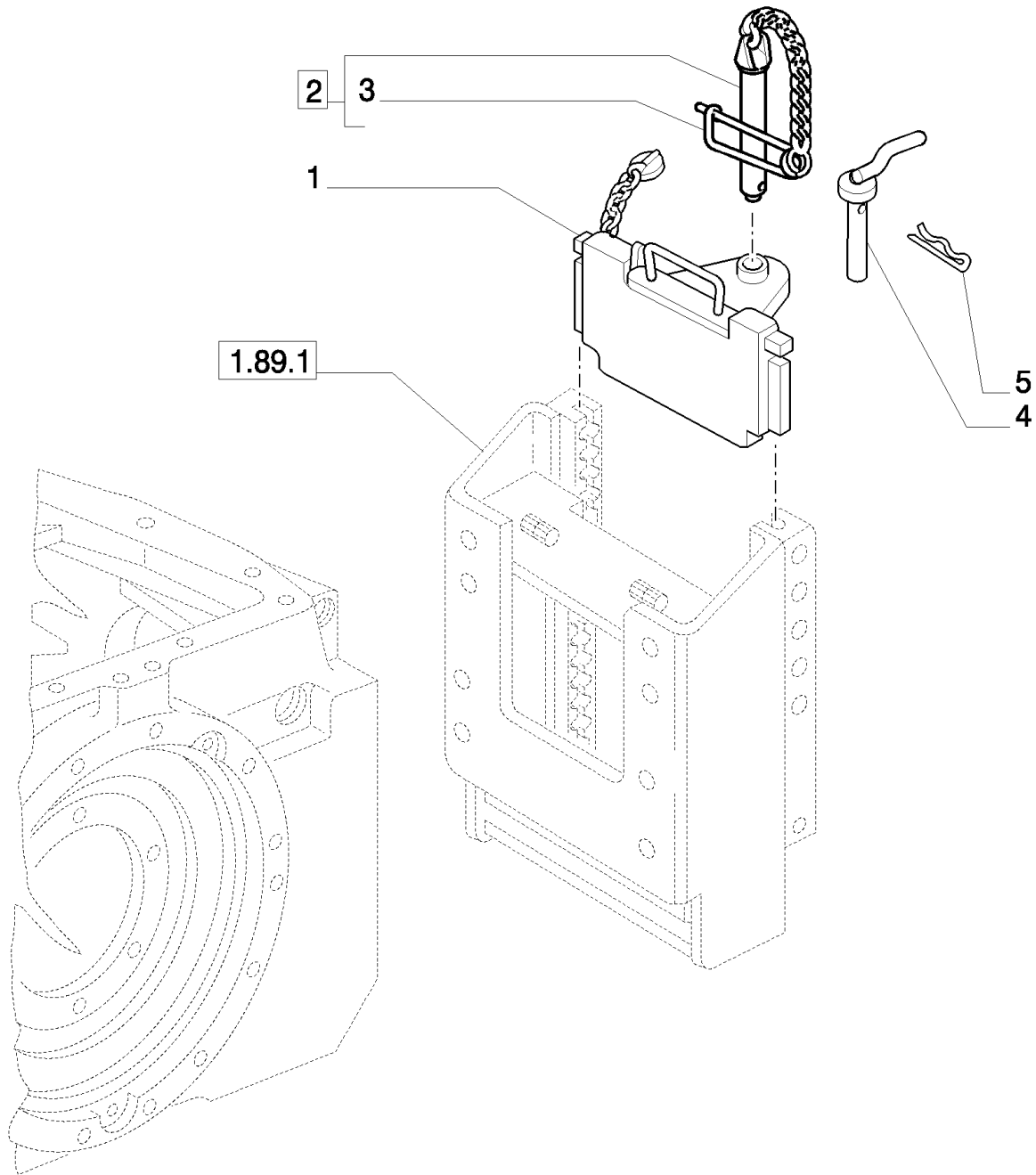
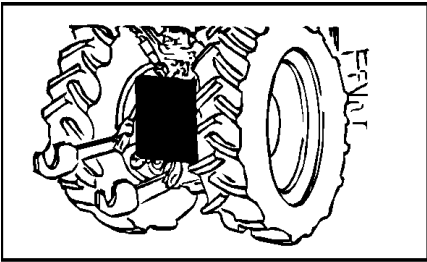
сылка	Номер детали	Кол-во	Описание
1	82027759	1	SUPPORT,
2	16220874	6	BOLT, Hex, M18 x 45,
3	82015207	2	PIN,
4	82014909	2	PIN, LOCK,
5	82000094	1	PIN, SPLIT (COTTER),
6	82027398	1	BRACKET, MXM120, MXM130, MXM140, MXM155
6	82035743	1	BRACKET, MXM175, MXM190
7	82027760	1	DRAWBAR, MXM120, MXM130, MXM140, MXM155
7	82028979	1	DRAWBAR, MXM175, MXM190
8	82014781	1	PIN, MXM120, MXM130, MXM140, MXM155
8	82035745	1	PIN, MXM175, MXM190
9	82011127	4	SCREW, M18 x 1.5 x 115, MXM120, MXM130, MXM140, MXM155
9	82018940	4	SCREW, Hex Flg, Usr, M18 x 1.5 x 40, Full Thd, MXM175, MXM190
10	82027418	1	SUPPORT,
11	11125234	2	BOLT, Hex, M20 x 75, 10.9,
12	44901192	1	CLIP,
13	5152004	1	PIN, LOCK,
14	5163732	1	PIN, HITCH,



## MXM155 CASE IH TRACTOR (6/02- )

## 1.89.1 (VAR.926-928) SLIDING HITCH WITHOUT DRAWBAR

сылка	Номер детали	Кол-во	Описание
1	5199458	1	TOW HOOK, MXM120, MXM130, MXM140, MXM155
1	5199451	1	TOW HOOK, MXM175, MXM190
2	82038061	1	FRAME,
3	82016898	1	PIN, HITCH, MXM120, MXM130, MXM140, MXM155
4	82000094	1	PIN, SPLIT (COTTER), MXM120, MXM130, MXM140, MXM155
5	16220874	8	BOLT, Hex, M18 x 45,
6	5159486	1	PIN, MXM175, MXM190
7	5152004	1	PIN, LOCK, MXM175, MXM190

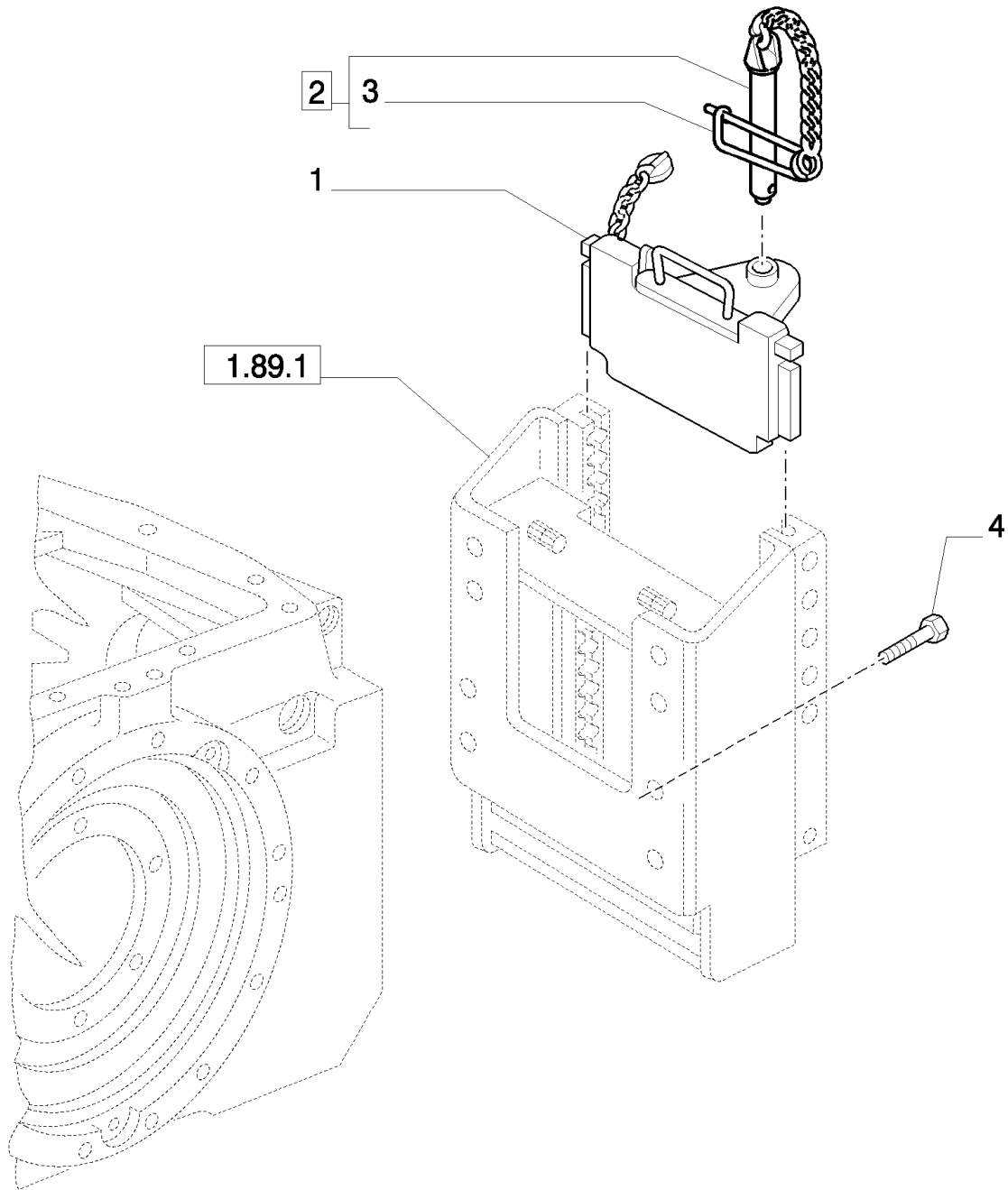
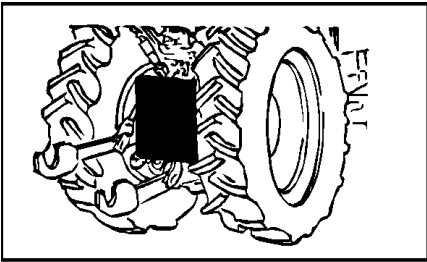


MXM155 CASE IH TRACTOR (6/02- )

1.89.1/01 (VAR.932) TOW-BAR, (ITALY) FOR SLIDING SUPPORT

сылка	Номер детали	Кол-во	Описание
1	5199451	1	TOW HOOK, , FOR TOW HOOK CATEGORY "D2"
1	5199458	1	TOW HOOK, , FOR TOW HOOK CATEGORY "C2"
2	5159486	1	PIN, , FOR TOW HOOK CATEGORY "D2"
3	5152004	1	PIN, LOCK, , FOR TOW HOOK CATEGORY "D2"
4	82016898	1	PIN, HITCH, , FOR TOW HOOK CATEGORY "C2"
5	82000094	1	PIN, SPLIT (COTTER), , FOR TOW HOOK CATEGORY "C2"



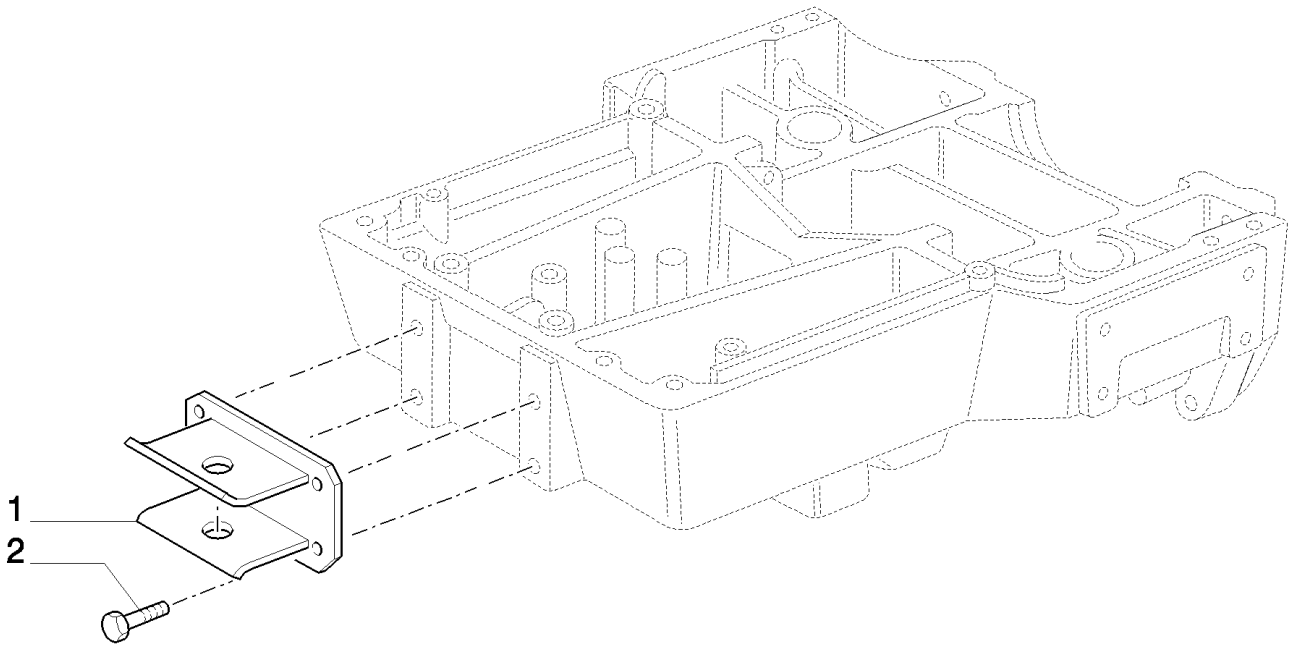
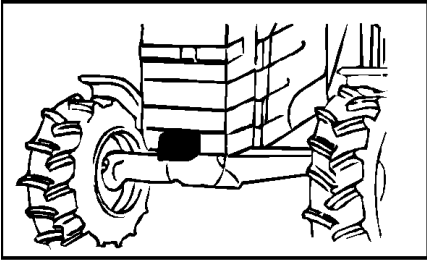


MXM155 CASE IH TRACTOR (6/02- )

1.89.1/02 (VAR.947) TOW-BAR, CATEGORY "D3" FOR SLIDING SUPPORT

сылка	Номер детали	Кол-во	Описание
1	82027419	1	TOW HOOK,
2	5158870	1	PIN,
3	5152004	1	PIN, LOCK,
4	16220874	8	BOLT, Hex, M18 x 45,

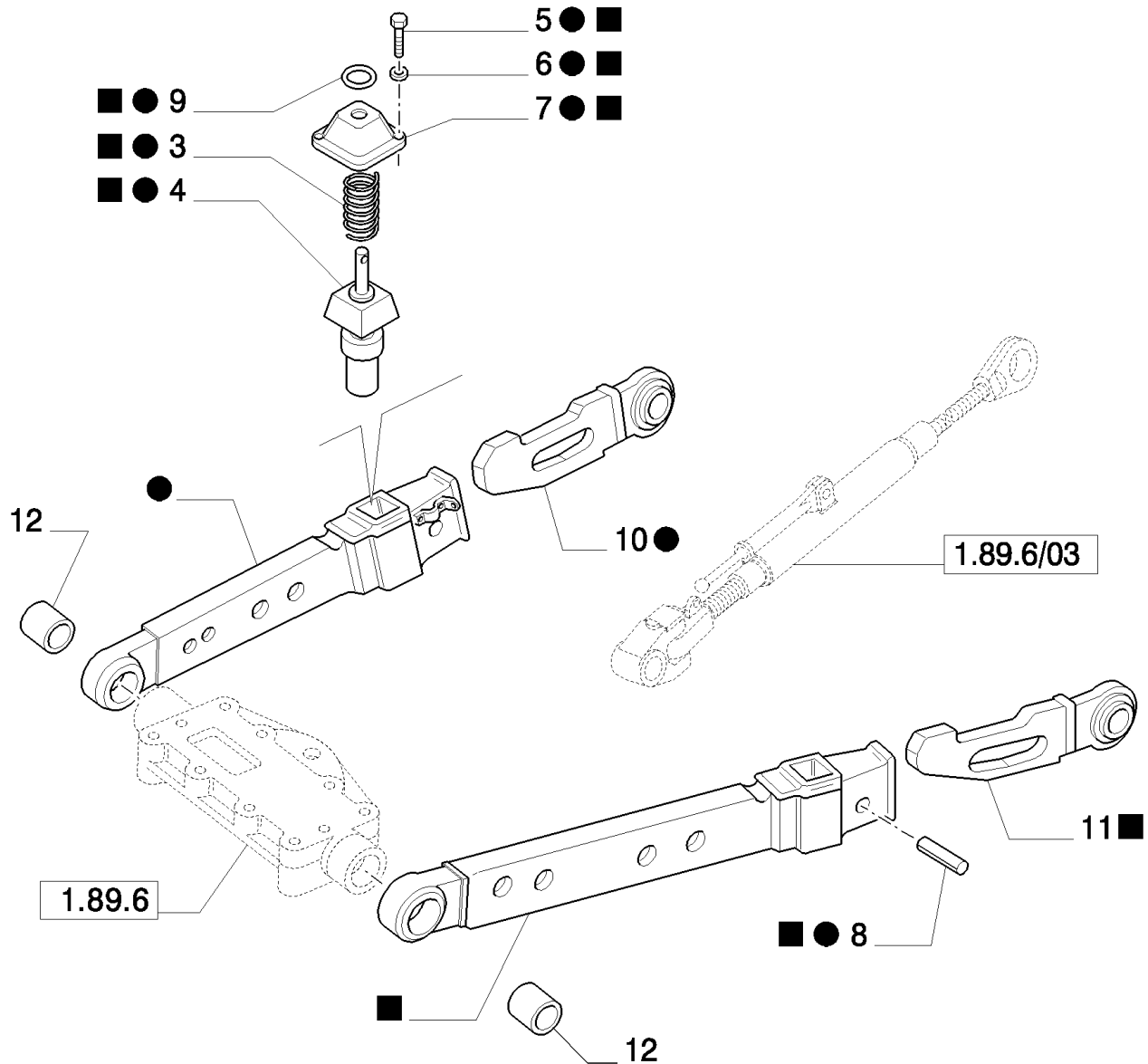
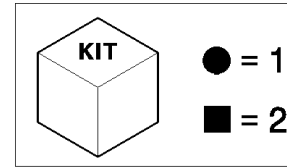
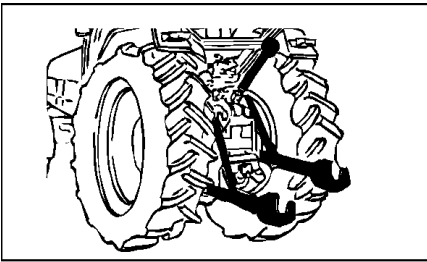
1.89.2 (VAR.892) PULL HOOK



MXM155 CASE IH TRACTOR (6/02- )

1.89.2 (VAR.892) PULL HOOK

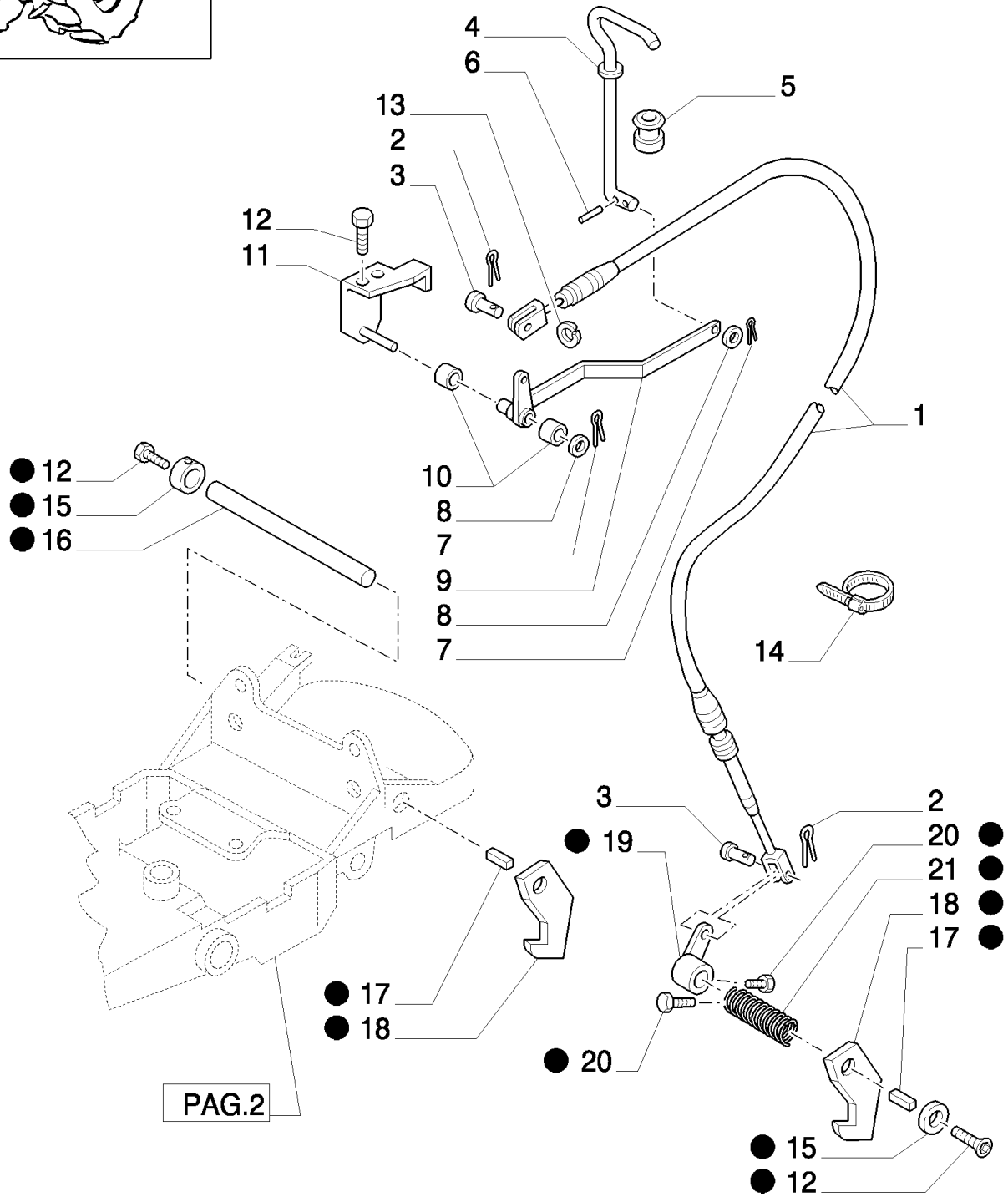
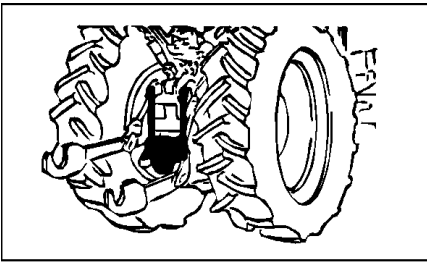
сылка	Номер детали	Кол-во	Описание
1	82022185	1	TOW HOOK,
2	81863249	4	BOLT, Hex, M20 x 50, Cl 8.8, M20 x 50, Cl8.8



## MXM155 CASE IH TRACTOR (6/02- )

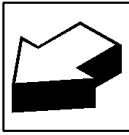
## 1.89.2/02 (VAR.881) IMPLEMENT CARRIER (TELESCOPIC ARMS) CAT. 2 &amp; 3 AND ANTI-SHAKE PLATES

сылка	Номер детали	Кол-во	Описание
1	82019024	1	ARM, LIFT, RH, Assy, -C5155
1	87349827	1	ARM, LIFT, RH, Assy, Cat. 3, W/EDC, D5155-
1	87355030	1	ARM, LIFT, RH, Assy, Cat. 3, W/MDC for MXM140 (Mech. Trans. 20 x 16) only, D5155-
2	82019025	1	ARM, LIFT, LH, Assy, -C5155
2	87349839	1	ARM, LIFT, LH, Assy, Cat., W/EDC, D5155-
2	87355034	1	ARM, LIFT, LH, Assy, Cat. 3, W/MDC for MXM140 (Mech. Trans. 20 x 16) only, D5155-
3	5192222	2	SPRING,
4	5192223	2	PIN,
5	10979424	4	BOLT, Hex, M6 x 10, 8.8, Full Thd,
6	12035670	4	WASHER, LOCK, M6
7	5192224	2	COVER,
8	82019042	2	PIN, ROLL,
9	5192225	2	CIRCLIP,
10	82019026	1	END ASSY, LIFT LINK, RH, Cat. 2
10	82019047	1	END ASSY, LIFT LINK, RH, Cat. 3
11	82019027	1	END ASSY, LIFT LINK, LH, Cat. 2
11	82019048	1	END ASSY, LIFT LINK, LH, Cat. 3
12	47123096	2	BUSHING, , D5155-



PAG.2

 ● = 22      SEE ALSO PAG.2

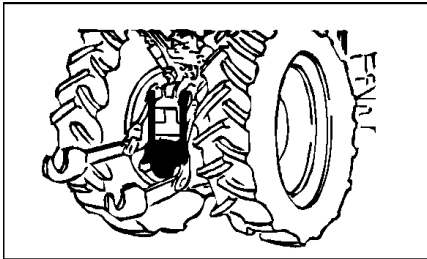


## MXM155 CASE IH TRACTOR (6/02- )

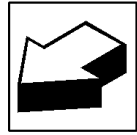
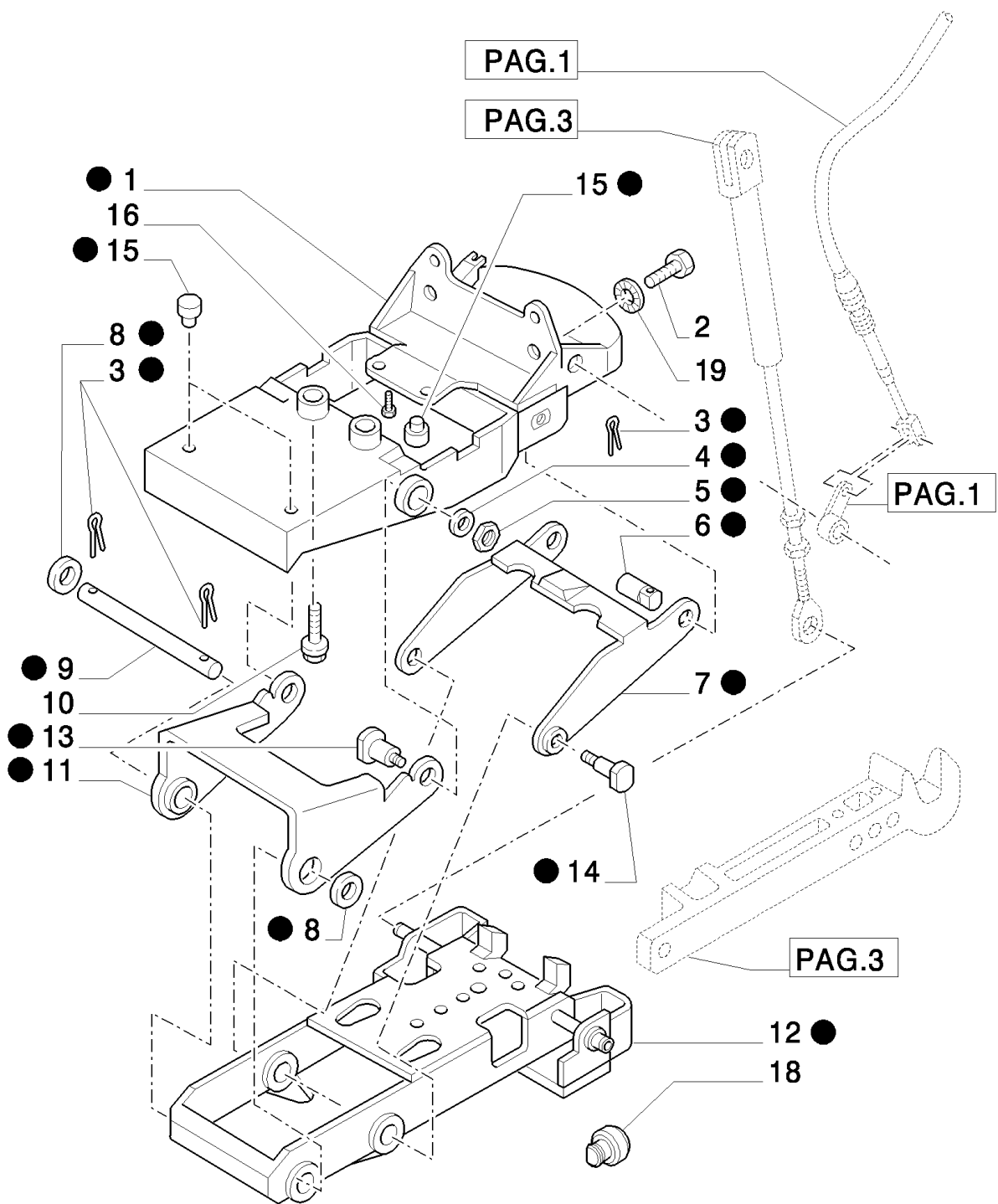
## 1.89.3(01) (VAR.569) AUTOMATIC HITCH (WITH 1 ADDITIONAL JACK)

сылка	Номер детали	Кол-во	Описание
1	82016432	1	CABLE,
2	82033370	2	PIN,
3	81868749	2	PIN, 15/16" x 19/32"
4	82003523	1	LEVER,
5	81865572	1	GROMMET,
6	82000865	1	PIN,
7	80080756	2	PIN, SPLIT (COTTER), 1/8" x 3/4"
8	83909861	2	WASHER, Hardened, G8, 1/2"
9	82003522	1	LEVER,
10	83904673	2	BUSHING,
11	82003521	1	BRACKET,
12	16043424	4	SCREW, Hex, M8 x 20, 8.8, Full Thd,
13	9635806	1	CIRCLIP, #50, .392" Dia, E-Type,
14	263117	1	STRAP, CABLE, .14" x 11 1/2",
15	81870094	2	SPACER,
16	82006865	1	PIN,
17	82002862	2	KEY,
18	82008309	1	LATCH, LH
18	82008310	1	LATCH, RH
19	81863641	1	RING,
20	14442021	2	SCREW, Hex Soc Flat Hd, M8 x 20, 8.8,
21	81872300	1	SPRING,
22	82028087	1	HITCH,





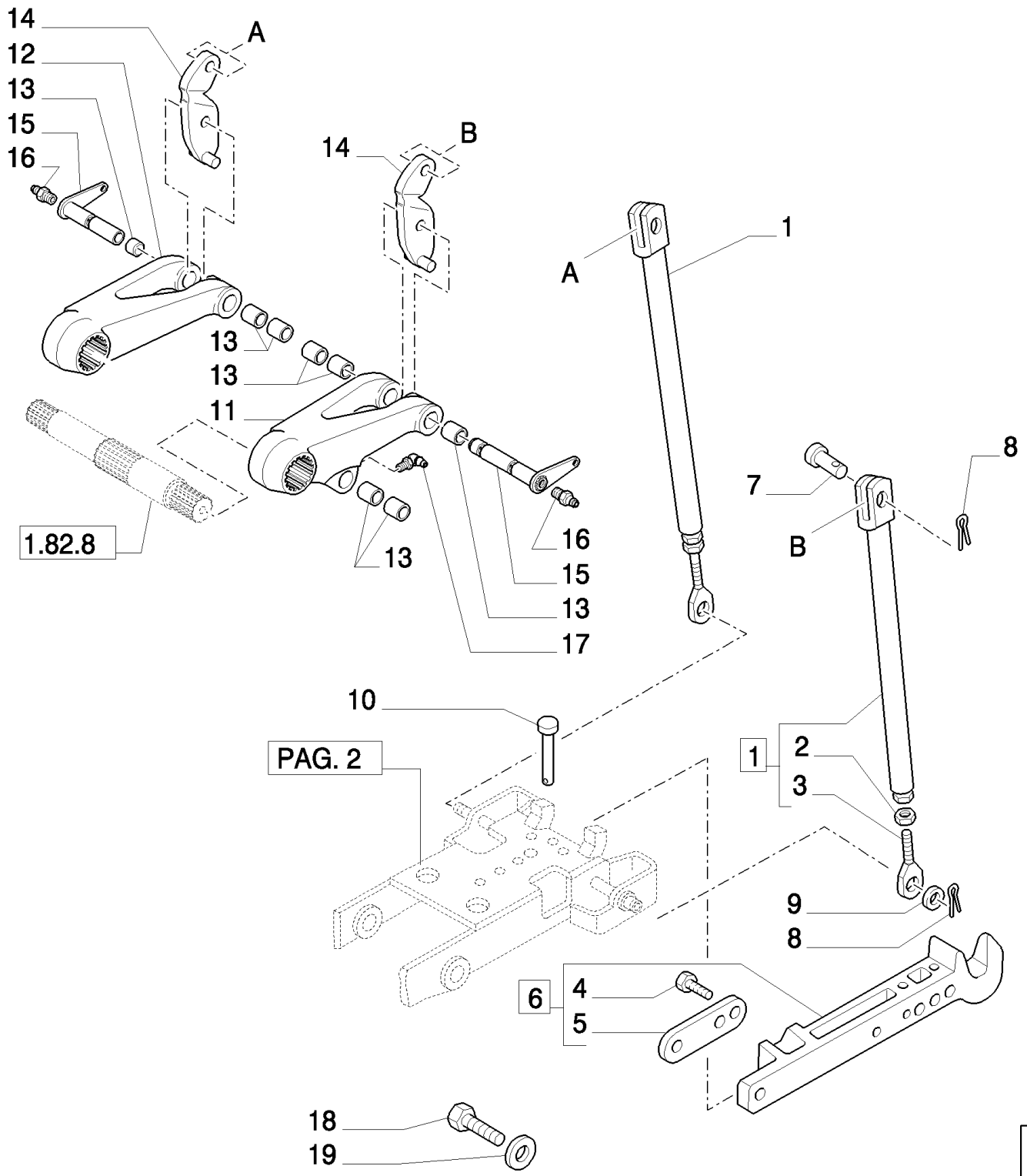
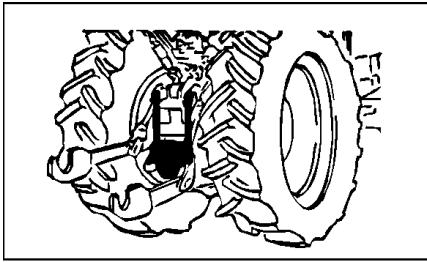
 ● = 17      SEE ALSO PAG.1



## MXM155 CASE IH TRACTOR (6/02- )

## 1.89.3(02) (VAR.569) AUTOMATIC HITCH (WITH 1 ADDITIONAL JACK)

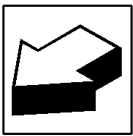
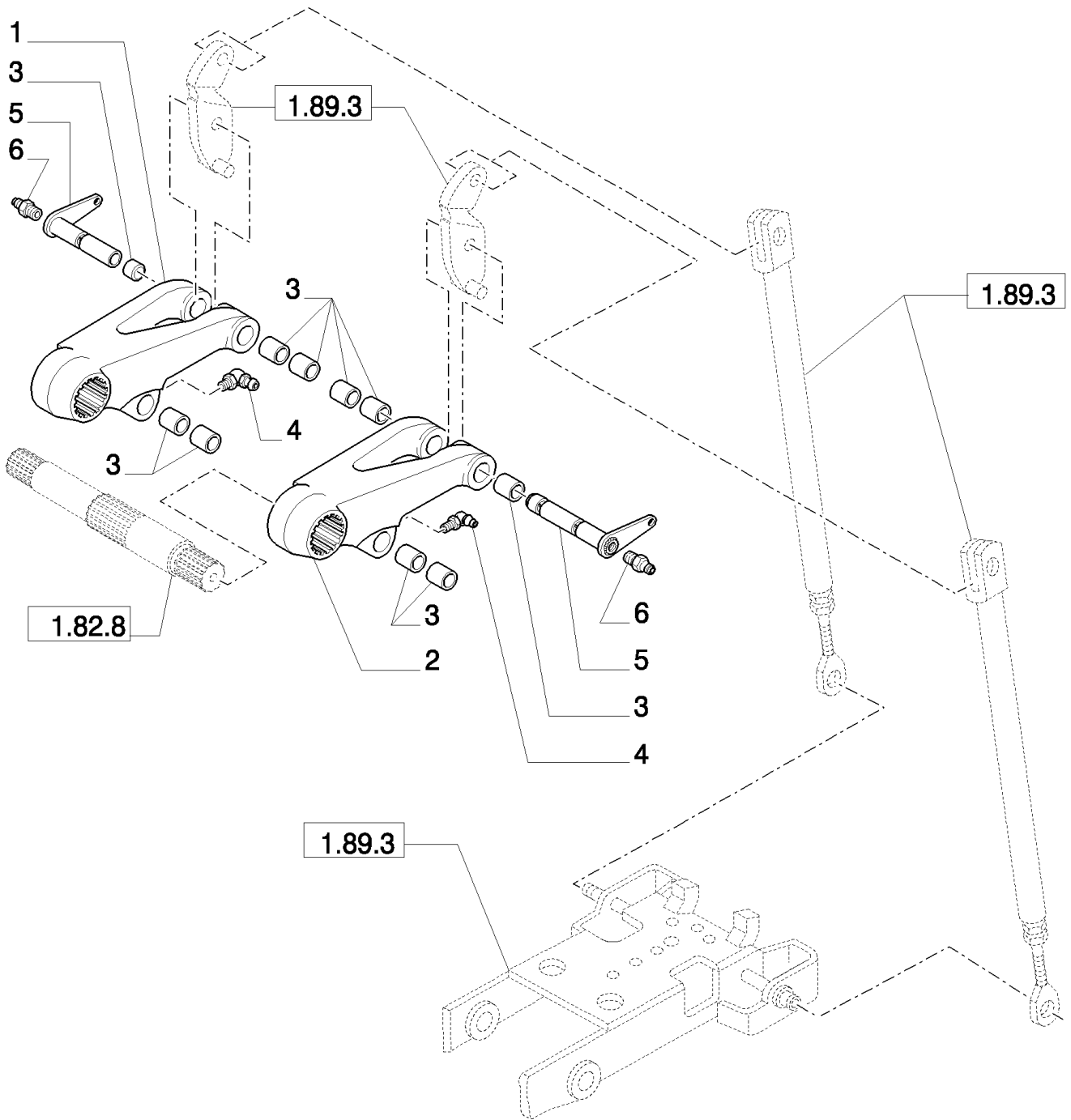
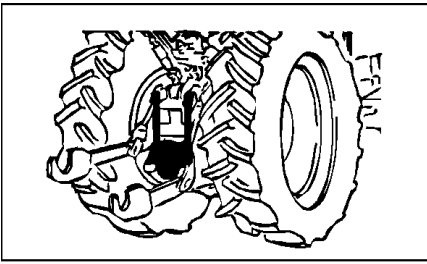
сылка	Номер детали	Кол-во	Описание
1	82011128	1	SUPPORT,
2	11244634	4	BOLT, Hex, M18 x 1.5 x 60, 10.9,
2	15984134	2	BOLT, Hex, M18 x 1.5 x 45, 10.9, Full Thd,
3	81868739	4	PIN, SPLIT (COTTER),
4	10520421	2	WASHER, M16 x 30 x 3,
5	12577721	2	NUT, LOCK, M20 x 2.5, CI 10,
6	82006909	2	PIN,
7	82006898	1	LEVER,
8	81863620	2	WASHER,
9	82006849	1	PIN,
10	82011127	2	SCREW, M18 x 1.5 x 115
11	82028084	1	LEVER,
12	82028086	1	SUPPORT,
13	82011738	2	BOLT,
14	82014761	2	SCREW,
15	81869718	2	GROMMET,
16	82001975	2	SCREW, M18 x 1.5 x 80
17	82028087	1	HITCH,
18	82006638	1	GROMMET,
19	82014658	4	WASHER, D = 19.5



## MXM155 CASE IH TRACTOR (6/02- )

## 1.89.3(03) (VAR.569) AUTOMATIC HITCH (WITH 1 ADDITIONAL JACK)

сылка	Номер детали	Кол-во	Описание
1	82028081	2	TIE-ROD,
2	10703211	2	NUT, Thin, M18 x 1.5, CI R04,
3	82012780	2	CLEVIS, M18
4	80412641	2	SCREW, HH, CL 10.9, M20 x 2.5 x 70
5	82004633	1	PLATE,
6	82027753	1	DRAWBAR, CL 8, M20 x 2.5
7	82001701	2	PIN,
8	81868739	4	PIN, SPLIT (COTTER),
9	89825305	2	WASHER, 1"
10	82013258	2	PIN, , -C5352
10	87397139	2	PIN, , D5352-
11	82029708	1	ARM, LH
12	82029711	1	ARM, RH
13	5153140	AR	BUSHING, 25 x 30 x 20
14	82028088	1	SUPPORT, LH
14	82028089	1	SUPPORT, RH
15	47130500	2	PIN, , BSN ACM266224
15	87319107	2	PIN, , ASN ACM266225
16	87414	2	NIPPLE, LUBE, 1/4"-28 x .56" lg, Drive, , BSN ACM266224
16	13406911	2	NIPPLE, LUBE, 1/4"-28, , ASN ACM266225
17	13407811	2	NIPPLE, LUBE,
18	15984331	4	BOLT, Hex, M18 x 1.5 x 50, 10.9, Full Thd,
19	82014658	4	WASHER,

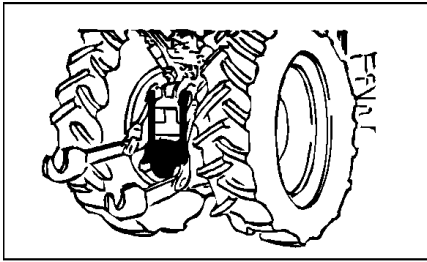


MXM155 CASE IH TRACTOR (6/02- )

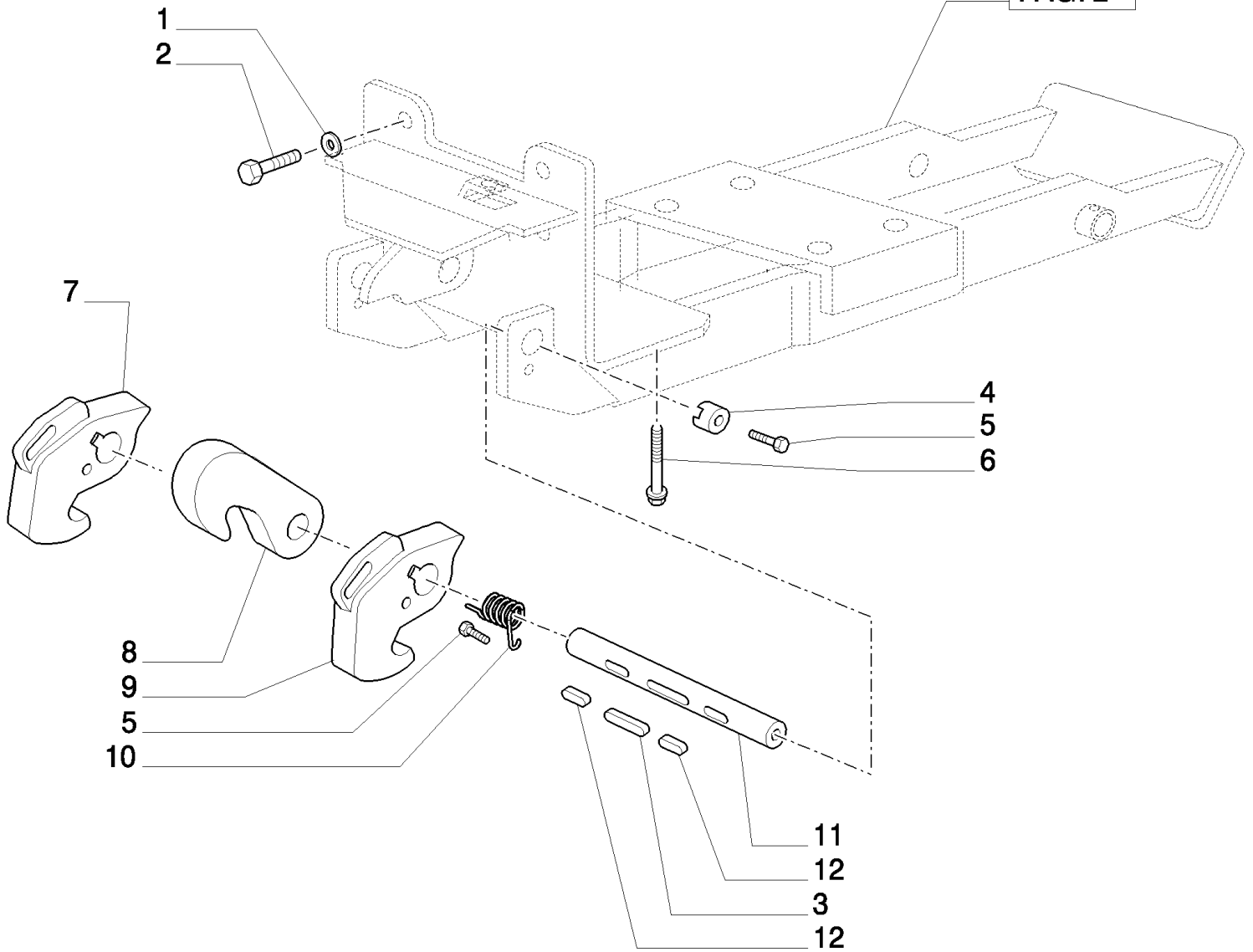
1.89.3/01 (VAR.898) AUTOMATICH HITCH (WITH 2 ADDITIONAL JACKS)

сылка	Номер детали	Кол-во	Описание
1	47125301	1	ARM, RH
2	82029708	1	ARM, LH
3	5153140	10	BUSHING,
4	13407811	2	NIPPLE, LUBE,
5	47130500	2	PIN, 5 mm Thk Arm, BSN ACM266224
5	87319107	2	PIN, 8 mm Thk Arm, ASN ACM266225
6	87414	2	NIPPLE, LUBE, 1/4"-28 x .56" lg, Drive, , BSN ACM266224
6	13406911	2	NIPPLE, LUBE, 1/4"-28, , ASN ACM266225

D5181 Serial N.ACM266225



PAG. 2



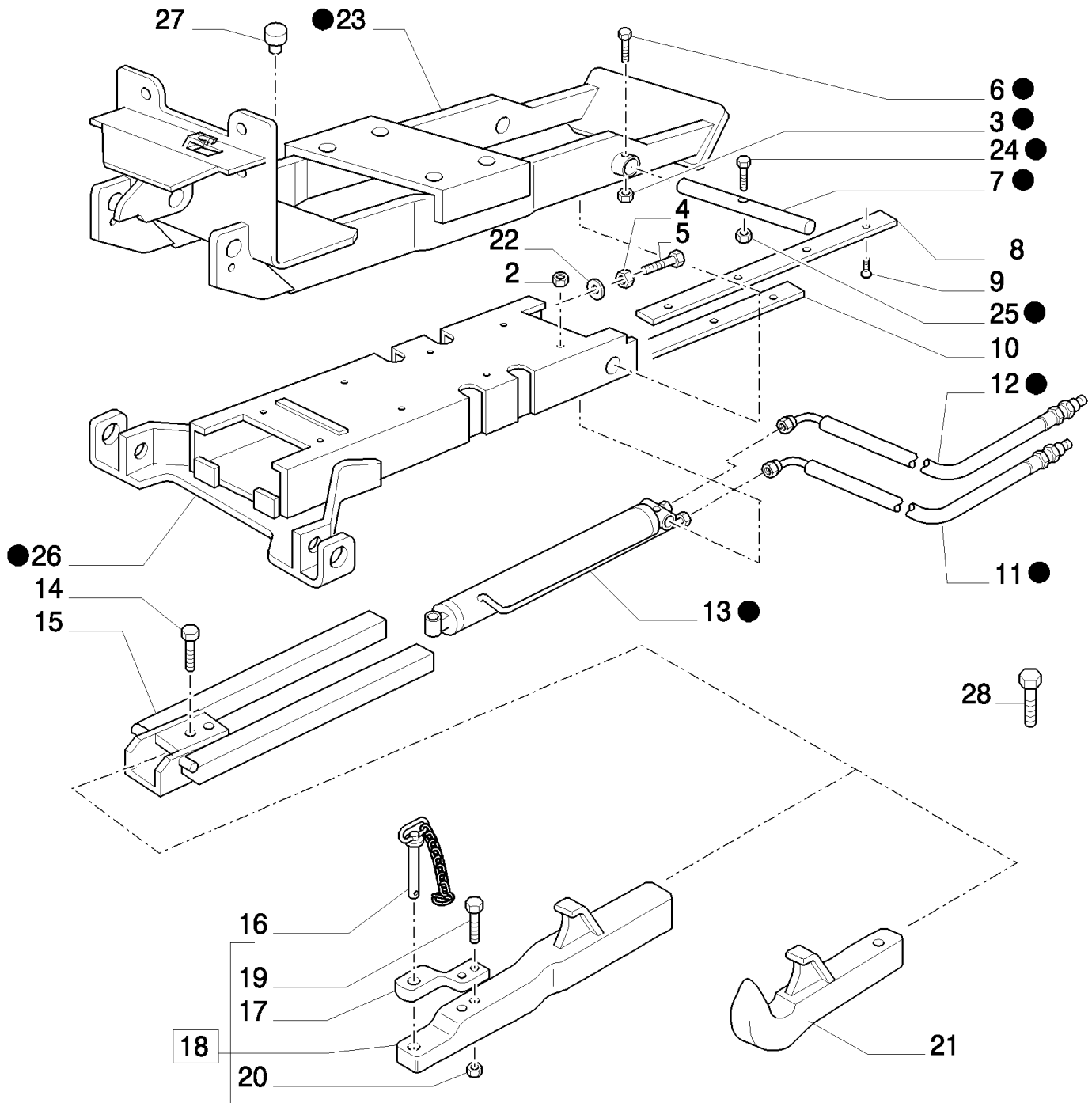
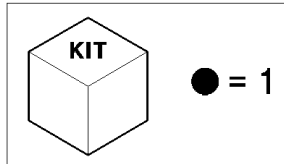
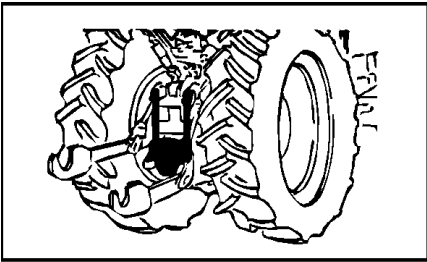
MXM155 CASE IH TRACTOR (6/02- )

1.89.3/04(01) (VAR.080-248) HYDRAULIC AUTOMATIC PICK UP HITCH FOR 1/2 AUXILIARY RAM

сылка	Номер детали	Кол-во	Описание
1	82014658	4	WASHER,
2	15984334	4	BOLT, Hex, M18 x 1.5 x 50, 10.9, Full Thd,
3	82036616	1	KEY,
4	81870094	2	SPACER,
5	16043424	4	SCREW, Hex, M8 x 20, 8.8, Full Thd,
6	87306653	4	SCREW,
7	82036617	1	LATCH, LH
8	82036615	1	LATCH,
9	82036618	1	LATCH, RH
10	82036621	1	SPRING, RH
10	82036620	1	SPRING, LH
11	82036619	1	SHAFT,
12	82039566	2	KEY,

VAR.080 is valid for MXM120, MXM130 only



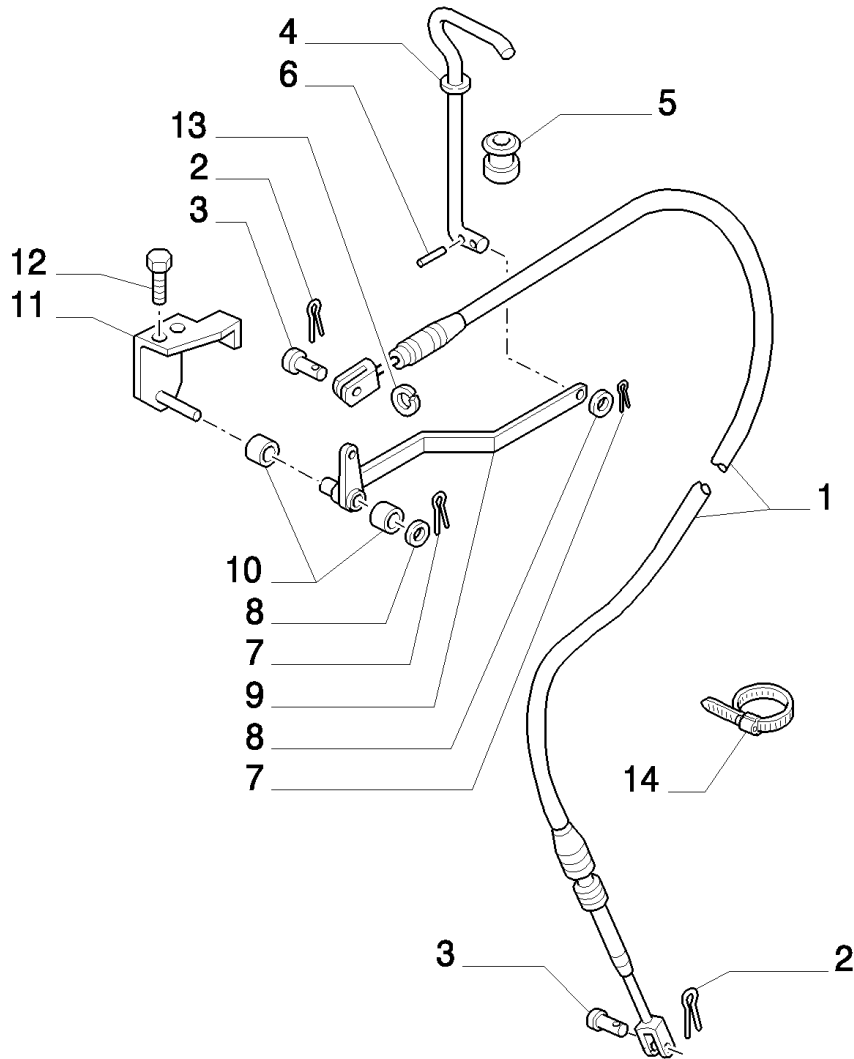
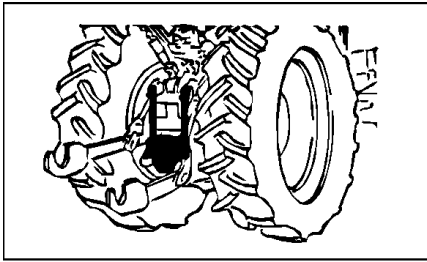


## MXM155 CASE IH TRACTOR (6/02- )

## 1.89.3/04(02) (VAR.080-248) HYDRAULIC AUTOMATIC PICK UP HITCH FOR 1/2 AUXILIARY RAM

сылка	Номер детали	Кол-во	Описание
1	87352522	1	FIXED HITCH, , MXM175, MXM190 W/VAR.248 only
1	82036538	1	HITCH, , MXM140, MXM155 W/VAR.248 only, MXM120, MXM130 W/VAR.080 only
2	82038798	16	NUT,
3	16104131	2	NUT,
4	12163321	2	NUT, M16, CI 10,
5	82036610	2	SCREW,
6	16040221	2	SCREW, Hex, M24 x 70, 8.8, Full Thd,
7	82036622	1	PIN, CLEVIS,
8	82036613	1	GUIDE, SLIDE, RH
8	82036612	1	GUIDE, SLIDE, LH
9	10356321	8	SCREW,
10	82036279	1	GUIDE, SLIDE, RH
10	82036278	1	GUIDE, SLIDE, LH
11	82036629	1	HOSE,
12	82036628	1	HOSE,
13	82036196	1	HYDRAULIC CYLINDER,
14	82036199	2	PIN,
15	82036537	1	DRAWBAR,
16	82025933	1	PIN,
17	82036534	1	BAR,
18	82036191	1	DRAWBAR,
19	15985434	2	SCREW,
20	10721034	2	NUT,
21	82036536	1	DRAW HOOK,
22	10053921	2	WASHER, THRUST,
23	82036535	1	FRAME, , MXM175, MXM190 W/VAR.248 only
23	82036647	1	FRAME, , MXM120, MXM130 W/VAR.080 only, MXM140, MXM155 W/VAR.248 only
24	11107431	1	BOLT, Hex, M10 x 60, 10.9,
25	12577221	1	NUT, LOCK, M10 x 1.5, CI 10,
26	87352521	1	BRACKET, HITCH, , MXM175, MXM190 W/VAR.248 only
26	82036644	1	HANGER, , MXM140, MXM155 W/VAR.248 only, MXM120, MXM130 W/VAR.080 only
27	81869718	2	GROMMET, , MXM175, MXM190 W/VAR.248 only
28	87379299	2	SCREW, , MXM175, MXM190 W/VAR.248 only

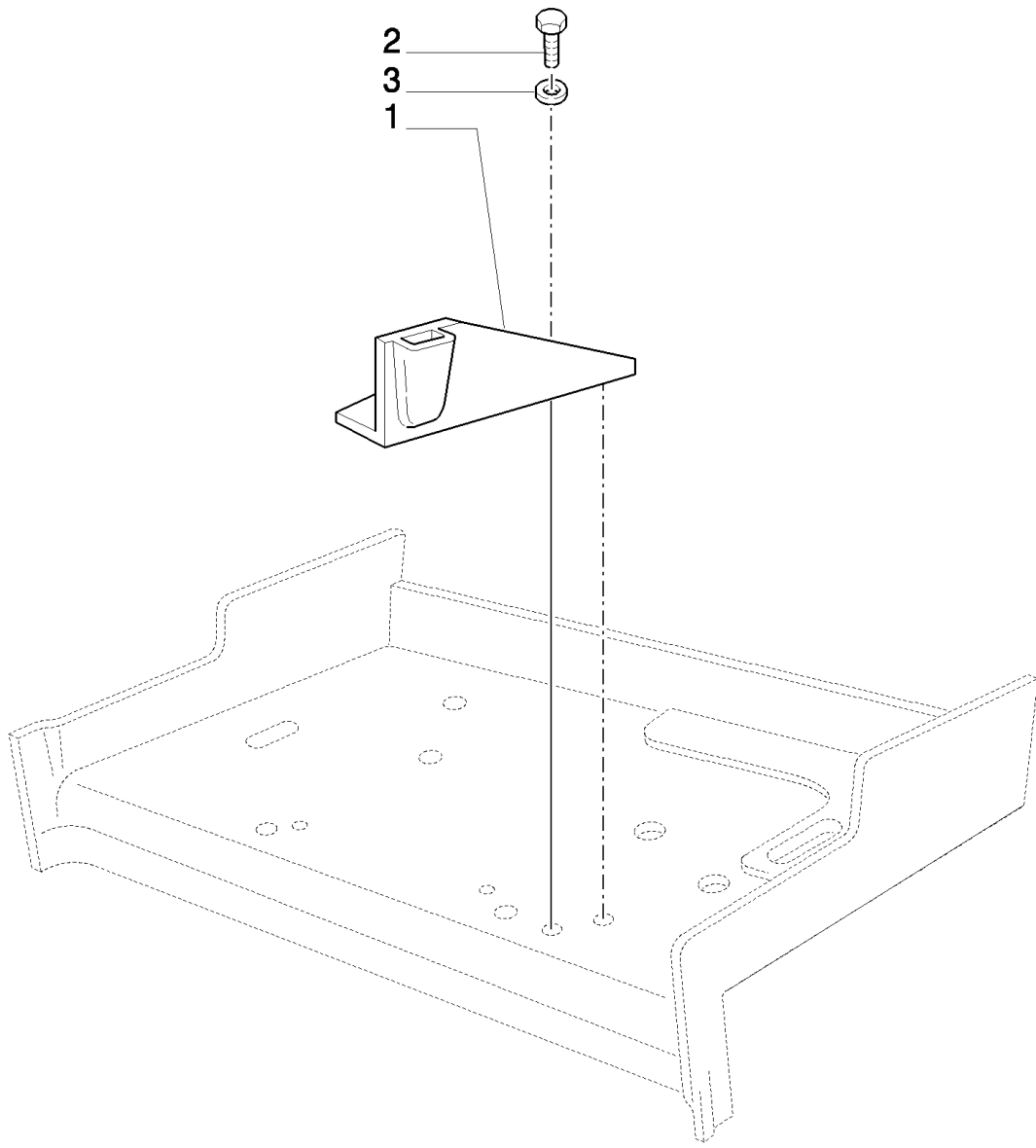
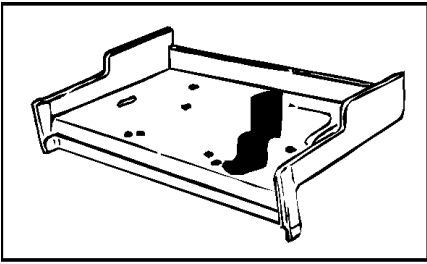
VAR.080 is valid for MXM120, MXM130 only



MXM155 CASE IH TRACTOR (6/02- )

1.89.3/05 (VAR.080-248) HYDRAULIC AUTOMATIC PICK UP HITCH FOR 1/2 AUXILIARY RAM

сылка	Номер детали	Кол-во	Описание
1	82011893	1	CABLE,
2	82033370	2	PIN,
3	81868749	2	PIN, 15/16" x 19/32"
4	82003523	1	LEVER,
5	81865572	1	GROMMET,
6	82000865	1	PIN,
7	80080756	2	PIN, SPLIT (COTTER), 1/8" x 3/4"
8	83909861	2	WASHER, Hardened, G8, 1/2"
9	82003522	1	LEVER,
10	83904673	2	BUSHING,
11	82003521	1	BRACKET,
12	16043421	4	SCREW, Hex, M8 x 20, 8.8,
13	81822628	1	RING, SNAP,
14	82001041	1	STRAP, CABLE, .190" x 7", 3/32" x 11-1/2" L

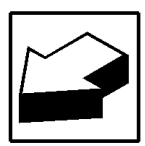
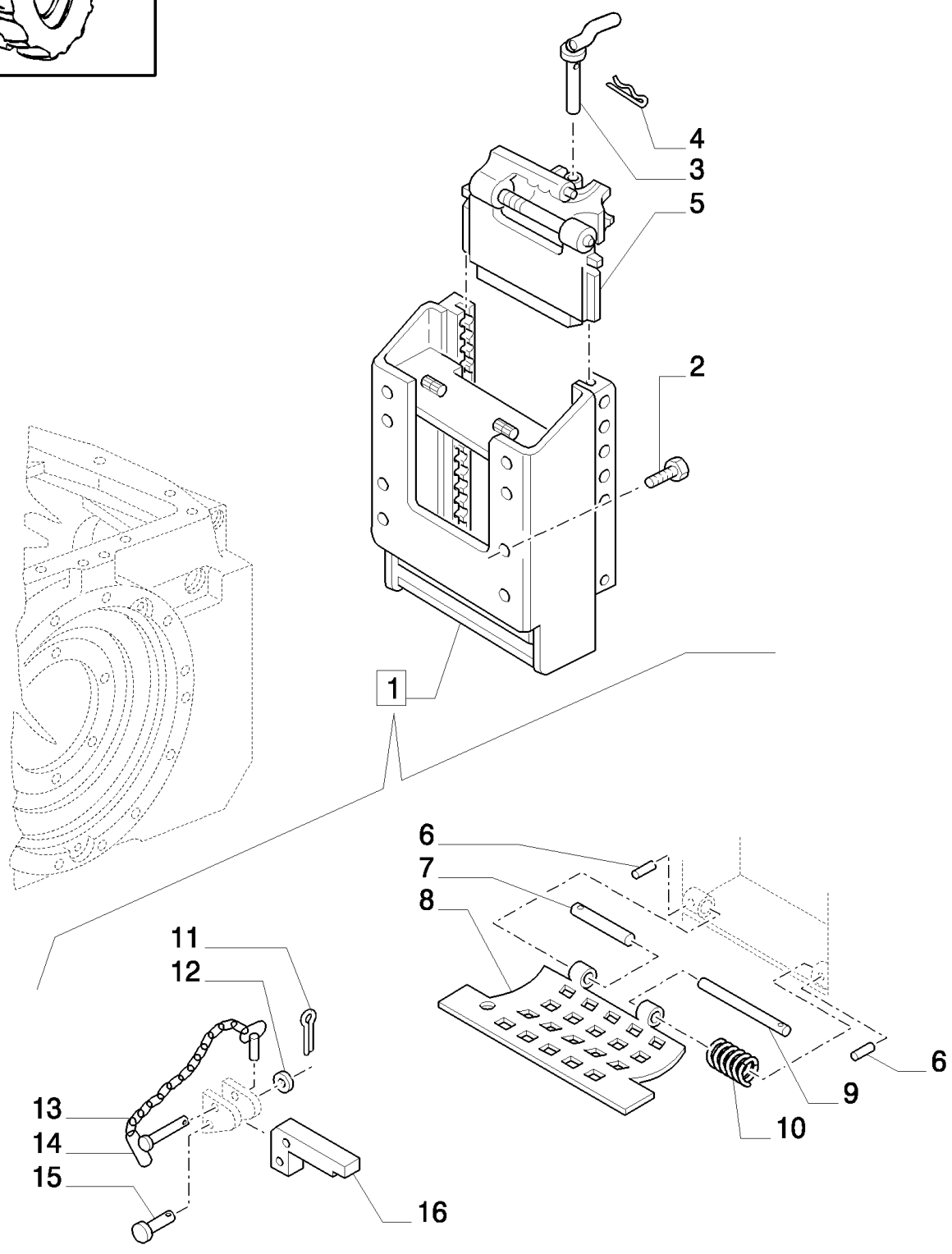
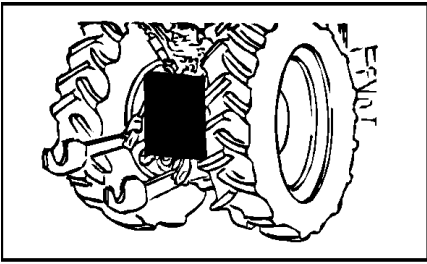


MXM155 CASE IH TRACTOR (6/02- )

1.89.4 (VAR.895) TRAILER BRAKE LEVER SUPPORT (FOR ITALY)

сылка	Номер детали	Кол-во	Описание
1	82016085	1	BRACKET,
2	11106624	2	BOLT, Hex, M10 x 35, 8.8, Full Thd,
3	12641004	2	WASHER, M10 x 20 x 3,

1.89.5 (VAR.887) ROTARY HITCH SUPPORT ON PITON SKIDS

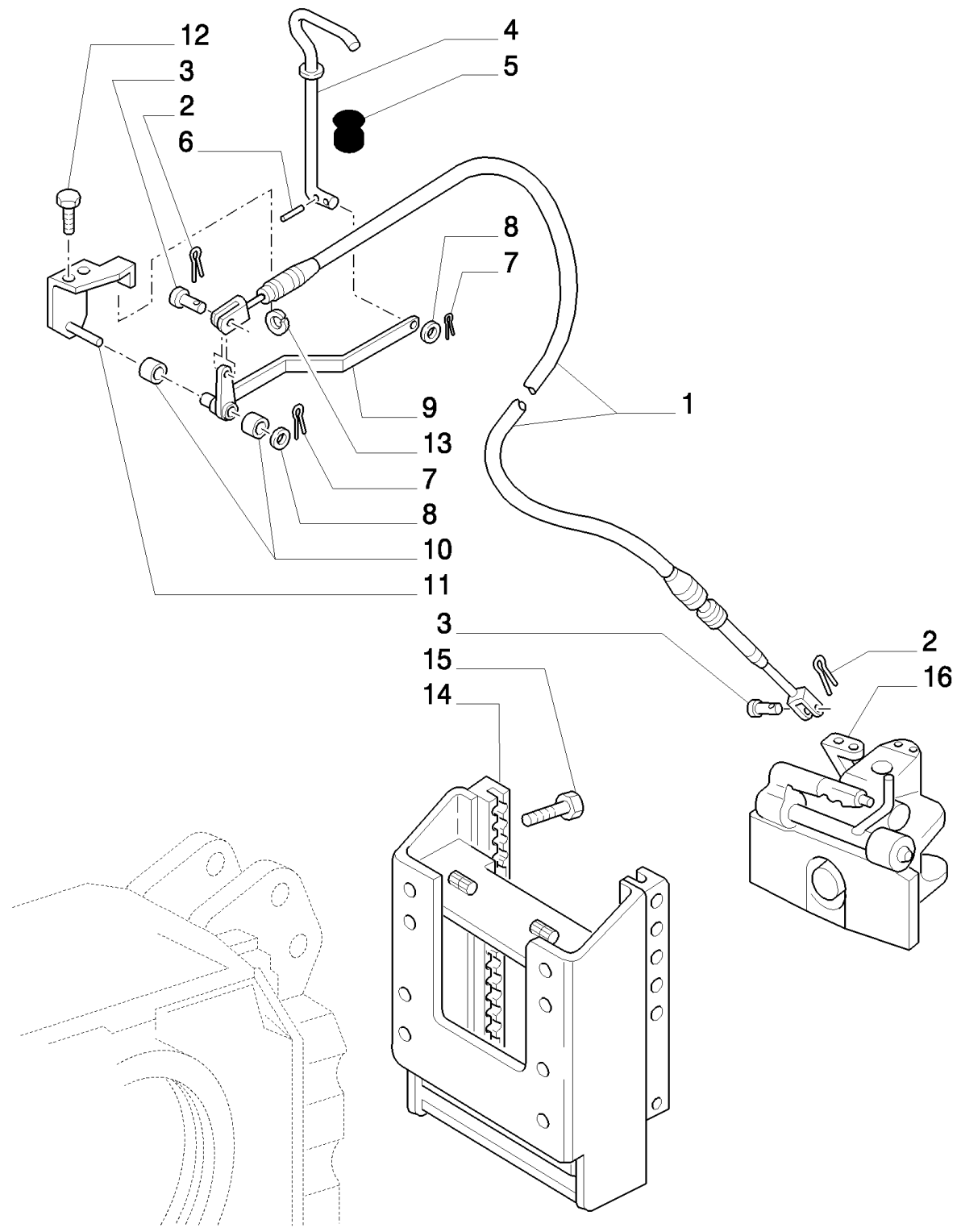
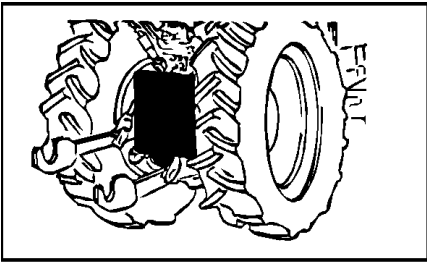


## MXM155 CASE IH TRACTOR (6/02- )

## 1.89.5 (VAR.887) ROTARY HITCH SUPPORT ON PITON SKIDS

сылка	Номер детали	Кол-во	Описание
1	82028802	1	SUPPORT,
2	16220874	8	BOLT, Hex, M18 x 45,
3	82018421	1	PIN,
4	82003071	1	PIN, SPLIT (COTTER),
5	82027298	1	COUPLING,
6	86002498	2	PIN, ROLL,
7	86002496	1	PIN, LH
8	86002494	1	GUARD,
9	86002495	1	PIN, RH
10	86002497	1	SPRING,
11	86516225	1	PIN, SPLIT (COTTER),
12	86516224	1	WASHER,
13	86516227	1	PIN,
14	86516226	1	PIN,
15	86516223	1	PIN,
16	9970451	1	LATCH,



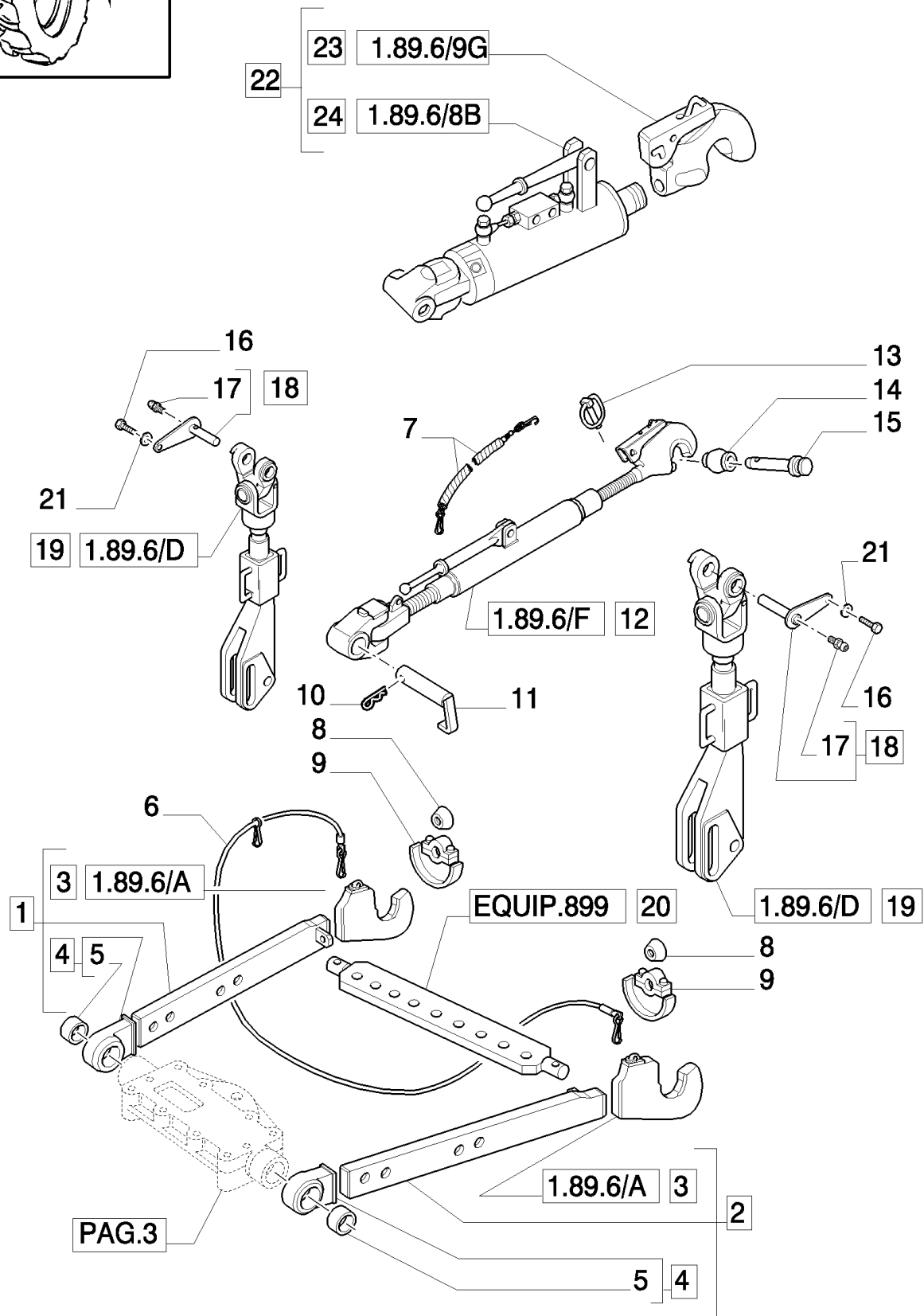
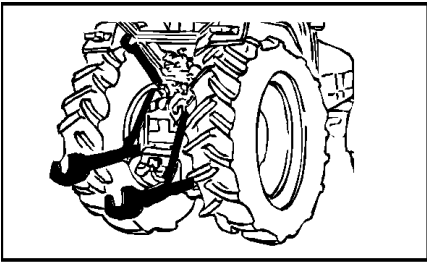


## MXM155 CASE IH TRACTOR (6/02- )

## 1.89.5/01 (VAR.897) AUTOMATIC HITCH, SLIDING SUPPORT

сылка	Номер детали	Кол-во	Описание
1	82011893	1	CABLE, MXM120, MXM130, MXM140, MXM155
1	82021307	1	CABLE, MXM175, MXM190
2	82033370	2	PIN,
3	81868749	2	PIN, 15/16" x 19/32"
4	82011892	1	LEVER,
5	81865572	1	GROMMET,
6	82000865	1	PIN,
7	80080756	2	PIN, SPLIT (COTTER), 1/8" x 3/4"
8	83909861	2	WASHER, Hardened, G8, 1/2"
9	82003522	1	LEVER,
10	83904673	2	BUSHING,
11	82003521	1	BRACKET,
12	16043424	2	SCREW, Hex, M8 x 20, 8.8, Full Thd,
13	9635806	1	CIRCLIP, #50, .392" Dia, E-Type,
14	82038061	1	FRAME,
15	16220874	8	BOLT, Hex, M18 x 45,
16	82028805	1	COUPLING, Assy, MXM120, MXM130, MXM140, MXM155
16	82029387	1	COUPLING, MXM175, MXM190

1.89.6(02) IMPLEMENT CARRIER

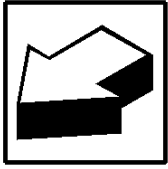
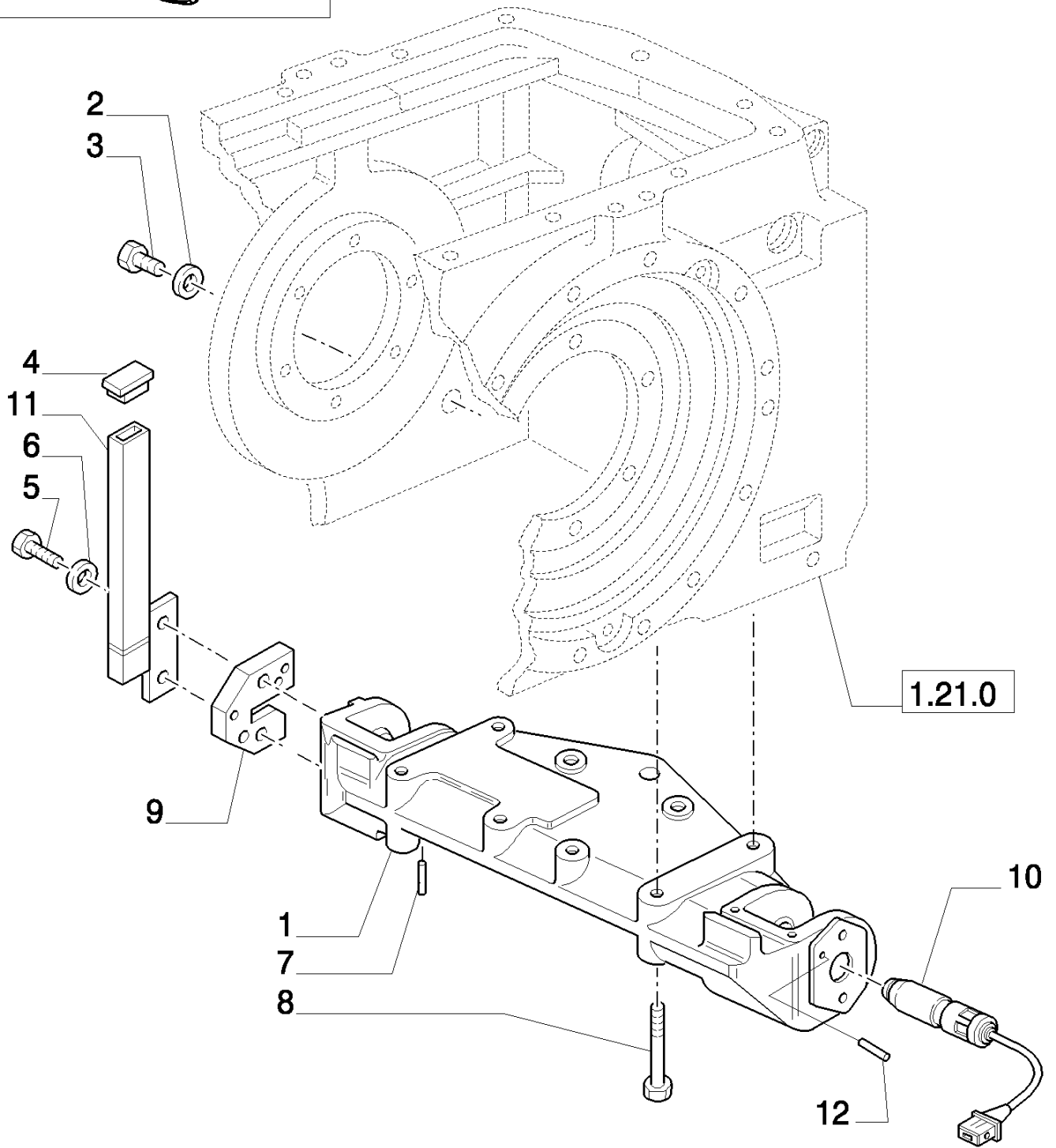
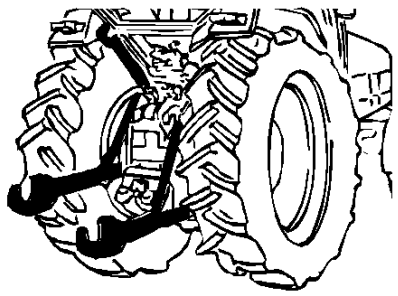


## MXM155 CASE IH TRACTOR (6/02- )

## 1.89.6(02) IMPLEMENT CARRIER

сылка	Номер детали	Кол-во	Описание
1	47125911	1	ARM, LIFT, RH, Walterscheid
1	47125890	1	ARM, LIFT, RH, CBM
2	47125912	1	ARM, LIFT, LH, Walterscheid
2	47125898	1	ARM, LIFT, LH, CBM
3	5176738	2	END ASSY, LIFT LINK, Walterscheid
3	5189332	2	HOOK, CBM
4	5161689	2	END, , for Walterscheid arms only
5	5161688	2	BUSHING, , for Walterscheid arms only
6	5114883	1	ROPE,
7	5174402	1	LINK, CHAIN,
8	44017710	2	BUSHING, Cat-3
8	44017819	2	BUSHING, Cat-2
9	5128901	2	ECCENTRIC, Cat-3
9	5128900	2	ECCENTRIC, Cat-2
10	578668	1	PIN, SPLIT (COTTER),
11	5196306	1	PIN,
12	5174532	1	LINK, TOP, , -C5157
12	47125910	1	LINK, TOP, , D5157-228935
13	5166585	1	PIN, LOCK,
14	5116059	1	BUSHING, Cat-2
14	5116060	1	BUSHING, Cat-3
15	822483	1	PIN, Cat-2
16	15970624	2	BOLT, Hex, M10 x 1.25 x 22, 8.8, Full Thd,
17	87414	2	NIPPLE, LUBE, 1/4"-28 x .56" lg, Drive,
18	5172006	2	PIN, , BSN ACM214034
19	47125904	2	ARM, LIFT, , BSN ACM214034
19	47130636	1	ARM, LIFT, RH, Assy, ASN ACM214035
19	47130637	1	ARM, LIFT, LH, Assy, ASN ACM214035
20	595441	1	CROSSRAIL, Equip. 899
20	47130642	2	PIN, , ASN ACM214035
21	14496611	2	WASHER, M10 x 21 x 2, , ASN ACM214035
22	82032588	1	CYLINDER, LIFT, , ASN 228935
23	82032580	1	HOOK, , ASN 228935
24	47125866	1	HYDRAULIC CYLINDER, , ASN 228935

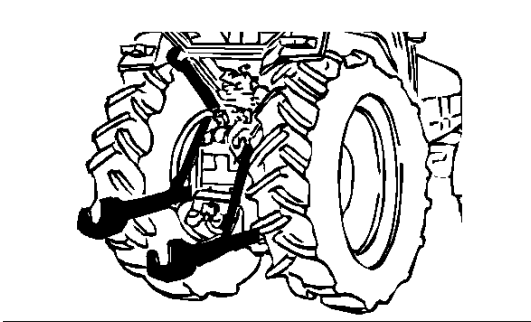
D5157 After Date 11 April 2002 D5165 Serial N.ACM214035 D5290 Serial N.228935



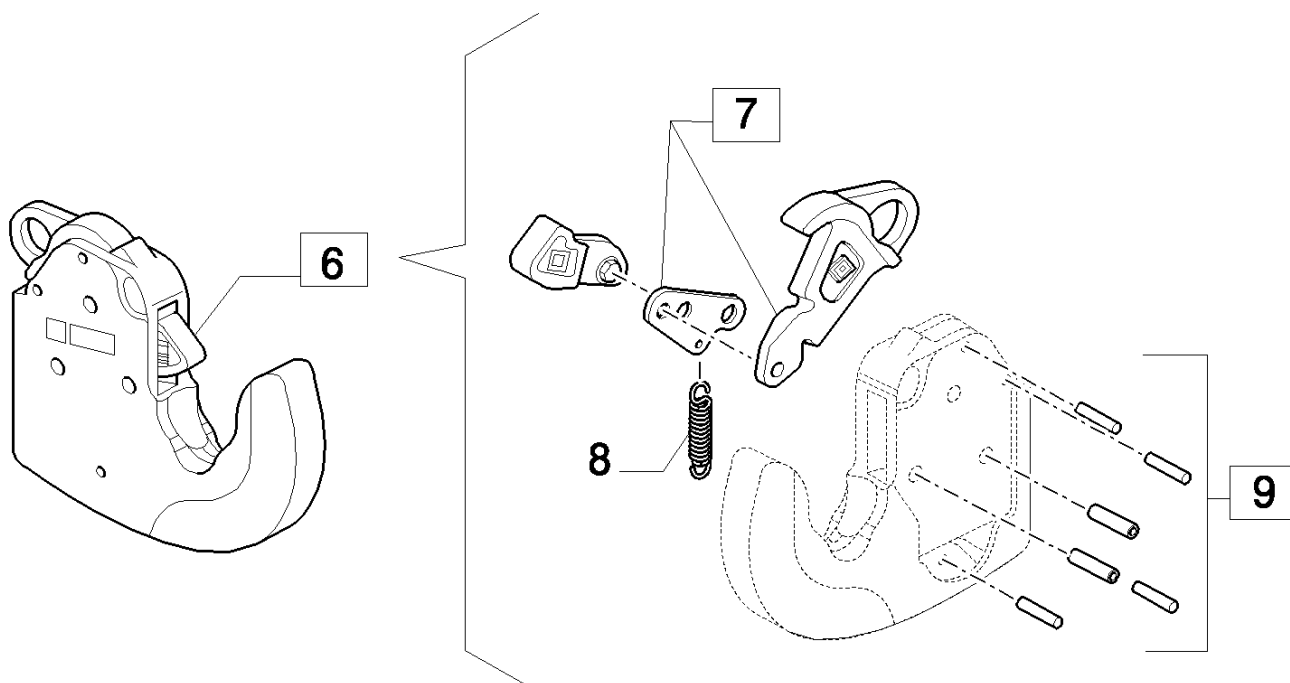
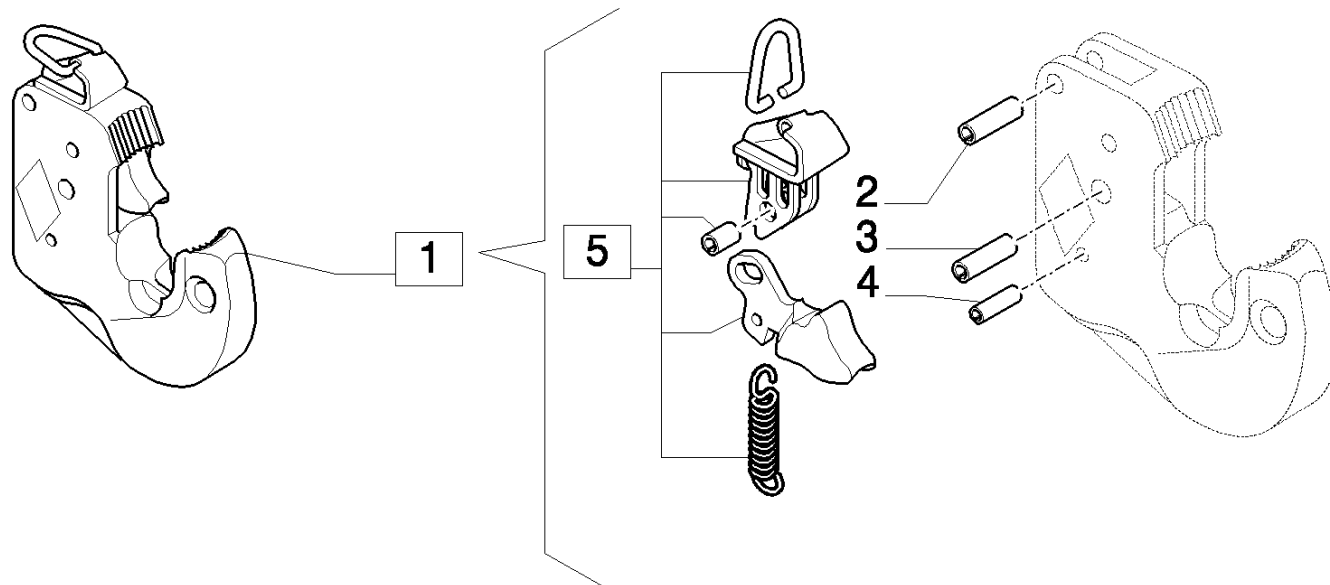
## MXM155 CASE IH TRACTOR (6/02- )

## 1.89.6(03) IMPLEMENT CARRIER

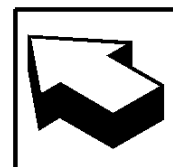
сылка	Номер детали	Кол-во	Описание
1	5190278	1	SUPPORT,
2	10263460	1	WASHER, SEALING, M22.3 x 28 x 1.5,
3	10305171	1	PLUG, M22 x 1.5 x 21,
4	5170226	4	PLUG,
5	14307731	4	SCREW, Hex Soc Hd, M10 x 1.25 x 40, 10.9,
6	11198374	4	WASHER, SPRING, Belleville, M10.5,
6	47130824	4	WASHER, Autolock
7	5102637	2	DOWEL, 18 x 30
8	15984624	4	BOLT, Hex, M18 x 1.5 x 70, 8.8,
8	15985424	4	BOLT, Hex, M18 x 1.5 x 110, 8.8,
9	5191331	2	PLATE,
10	47137583	2	SENSOR, Draft
11	5170164	1	SHIELD, RH
11	5170190	1	SHIELD, LH
12	14606470	2	PIN, LOCK, M8 x 20, Slotted,



### WALTERSCHIED



C.B.M.

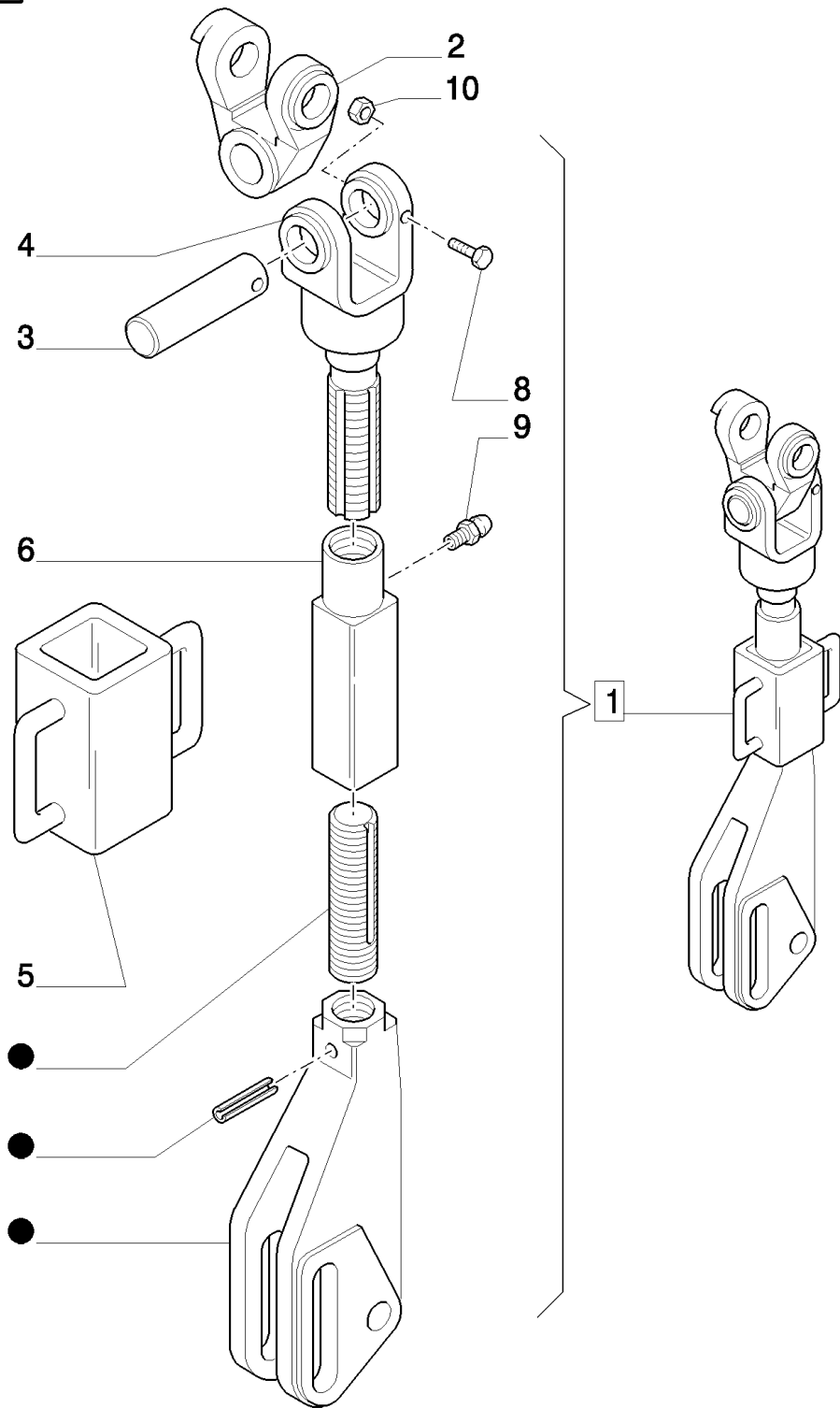
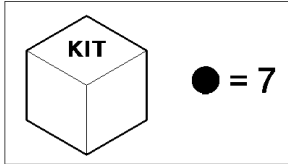
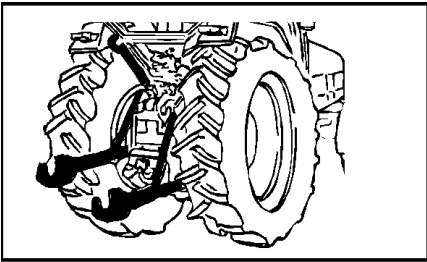


## MXM155 CASE IH TRACTOR (6/02- )

## 1.89.6/ A END ASSEMBLY BREAKDOWN (P/N 5176738 &amp; 5189332)

сылка	Номер детали	Кол-во	Описание
1	5176738	1	END ASSY, LIFT LINK, Walterscheid
2	86017235	1	PIN, Walterscheid
3	86017083	1	PIN, Walterscheid
4	86017081	1	PIN, Walterscheid
5	86017137	1	KIT, Latch, Walterscheid
6	5189332	1	HOOK, CBM
7	5189343	1	KIT, Plates, CBM
8	5189340	1	SPRING, CBM
9	5189338	1	KIT, Pins, CBM





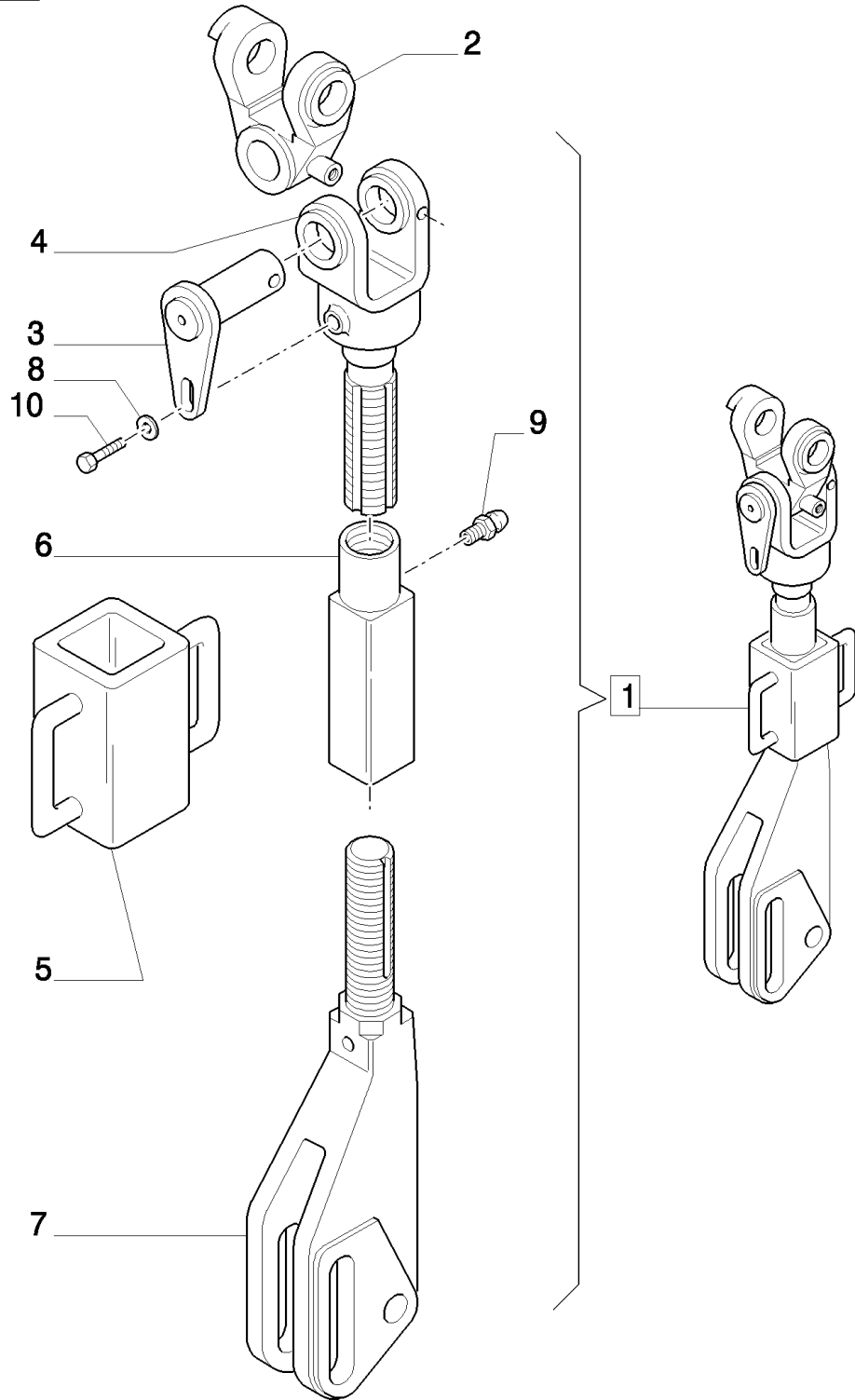
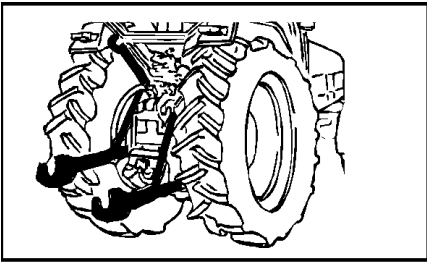
MXM155 CASE IH TRACTOR (6/02- )

1.89.6/ D(01) LINK - ASSEMBLY BREAKDOWN - C5165

сылка	Номер детали	Кол-во	Описание
1	47125904	1	ARM, LIFT,
2	5171861	1	YOKE,
3	5189268	1	PIN,
4	5167414	1	YOKE,
5	5167416	1	HANDLE GRIP,
6	5167412	1	SLEEVE, ADJUSTING,
7	47125937	1	YOKE,
8	16044531	1	BOLT, Hex, M8 x 65, 10.9,
9	13406911	1	NIPPLE, LUBE, 1/4"-28,
10	16104121	1	NUT, LOCK, M8 x 1.25, CI 10,

C5165 Serial N.ACM214034

1.89.6/ D(01A) LINK - ASSEMBLY BREAKDOWN - D5165

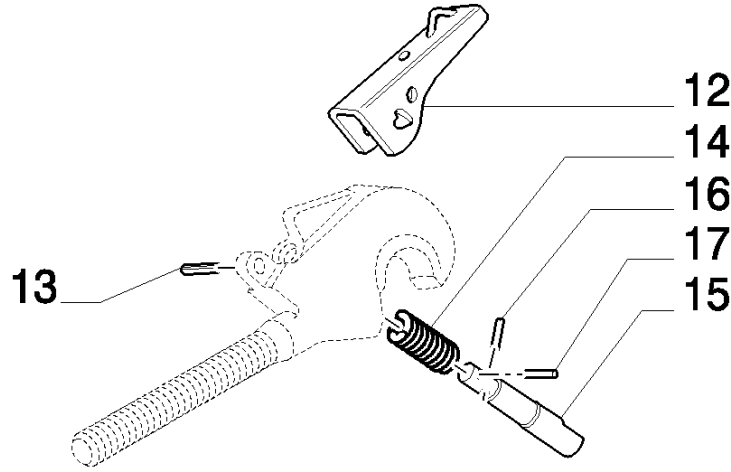
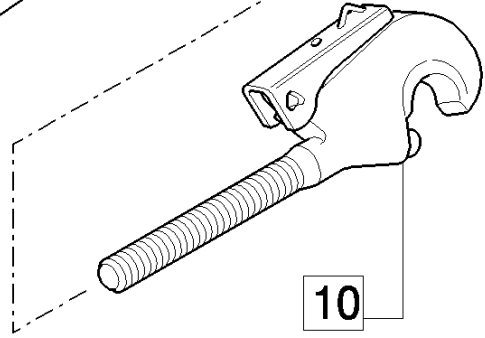
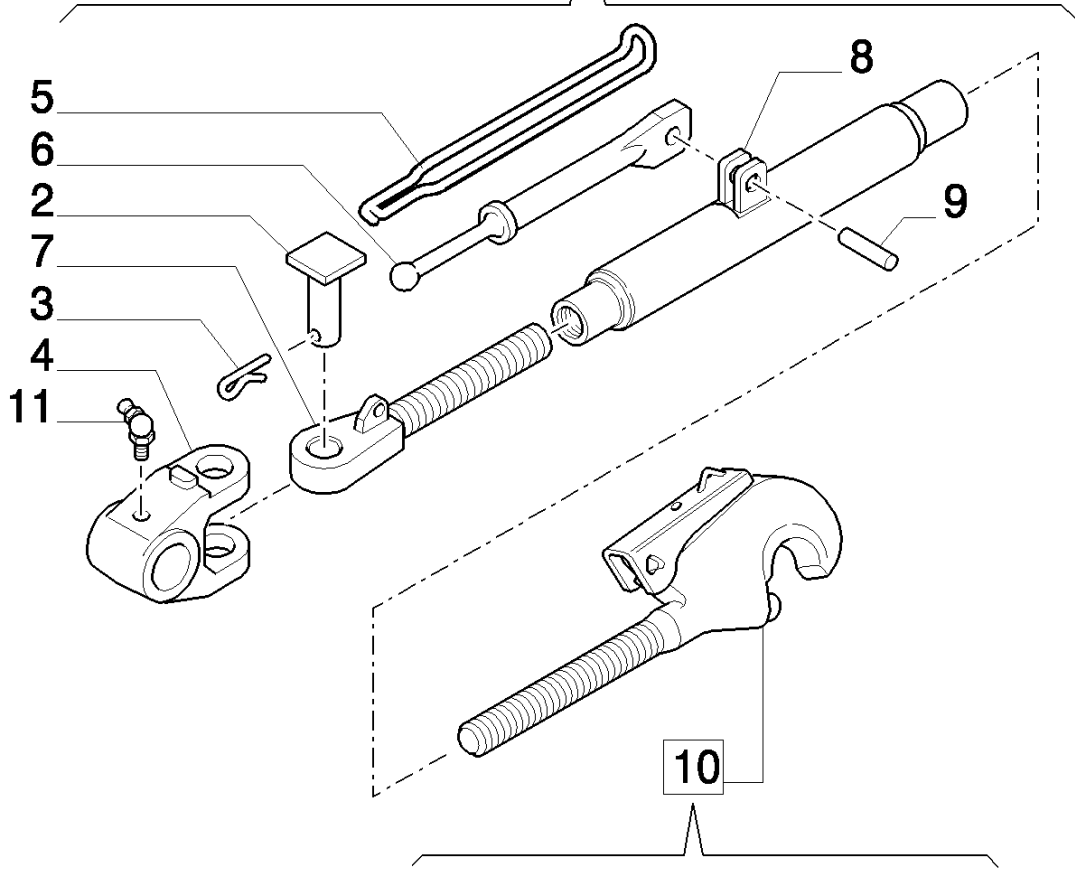
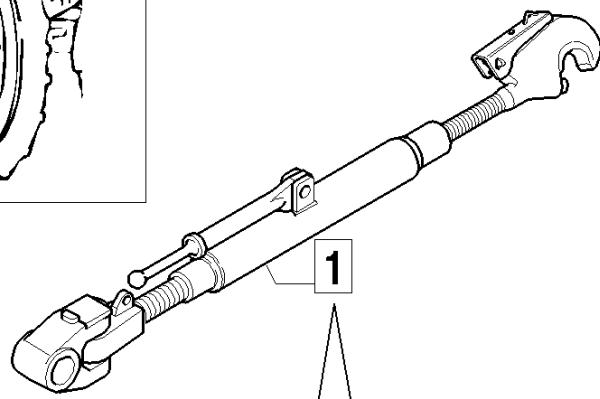
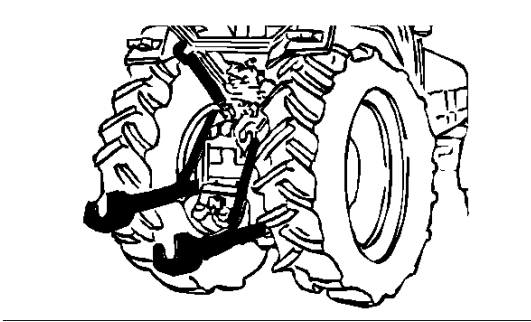


## MXM155 CASE IH TRACTOR (6/02- )

## 1.89.6/ D(01A) LINK - ASSEMBLY BREAKDOWN - D5165

сылка	Номер детали	Кол-во	Описание
1	47130636	1	ARM, LIFT, RH, Assy
1	47130637	1	ARM, LIFT, LH, Assy
2	47130638	1	YOKE,
3	47130642	1	PIN,
4	47130639	1	HITCH, TRAILER,
5	5167416	1	HANDLE GRIP,
6	47125835	1	TURNBUCKLE,
7	47125937	1	YOKE,
8	14496611	1	WASHER, M10 x 21 x 2,
9	13406911	1	NIPPLE, LUBE, 1/4"-28,
10	15970624	1	BOLT, Hex, M10 x 1.25 x 22, 8.8, Full Thd,

D5165 Serial N.ACM214035

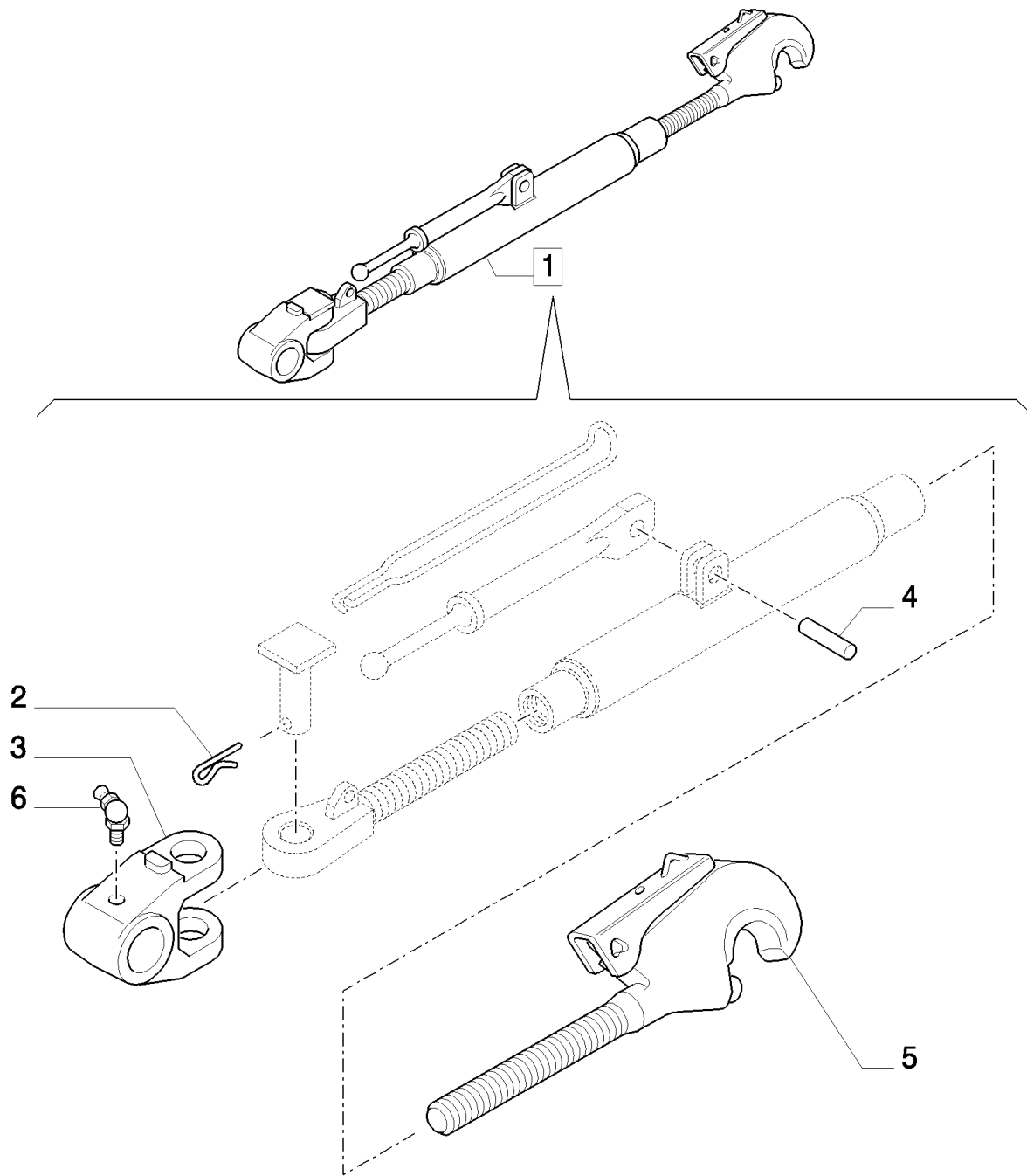
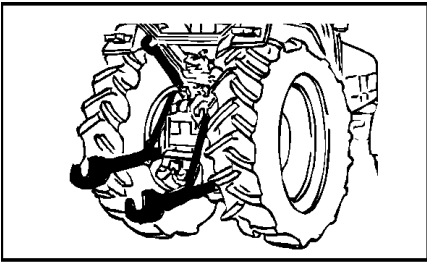


## MXM155 CASE IH TRACTOR (6/02- )

## 1.89.6/ E(01) UPPER LINK BREAKDOWN (P/N 5174532 &amp; 5174401) - C5157

сылка	Номер детали	Кол-во	Описание
1	5174532	1	LINK, TOP,
2	5161789	1	PIN,
3	10797801	1	PIN, SPLIT (COTTER), M6.3 x 50,
4	5161787	1	YOKE,
5	5140619	1	SPRING,
6	5172394	1	LEVER,
7	5162335	1	END ASSY, LIFT LINK,
8	5162318	1	SLEEVE, ADJUSTING,
9	14174371	1	PIN, LOCK, M12 x 30, Slotted,
10	5174401	1	HOOK,
11	13407811	1	NIPPLE, LUBE,
12	9966549	1	LEVER,
13	9966523	1	PIN, ROLL,
14	9966524	1	SPRING,
15	9966527	1	PIN,
16	9966521	1	PIN, ROLL,
17	9966522	1	PIN, ROLL,

C5157 Serial N.ACM192503



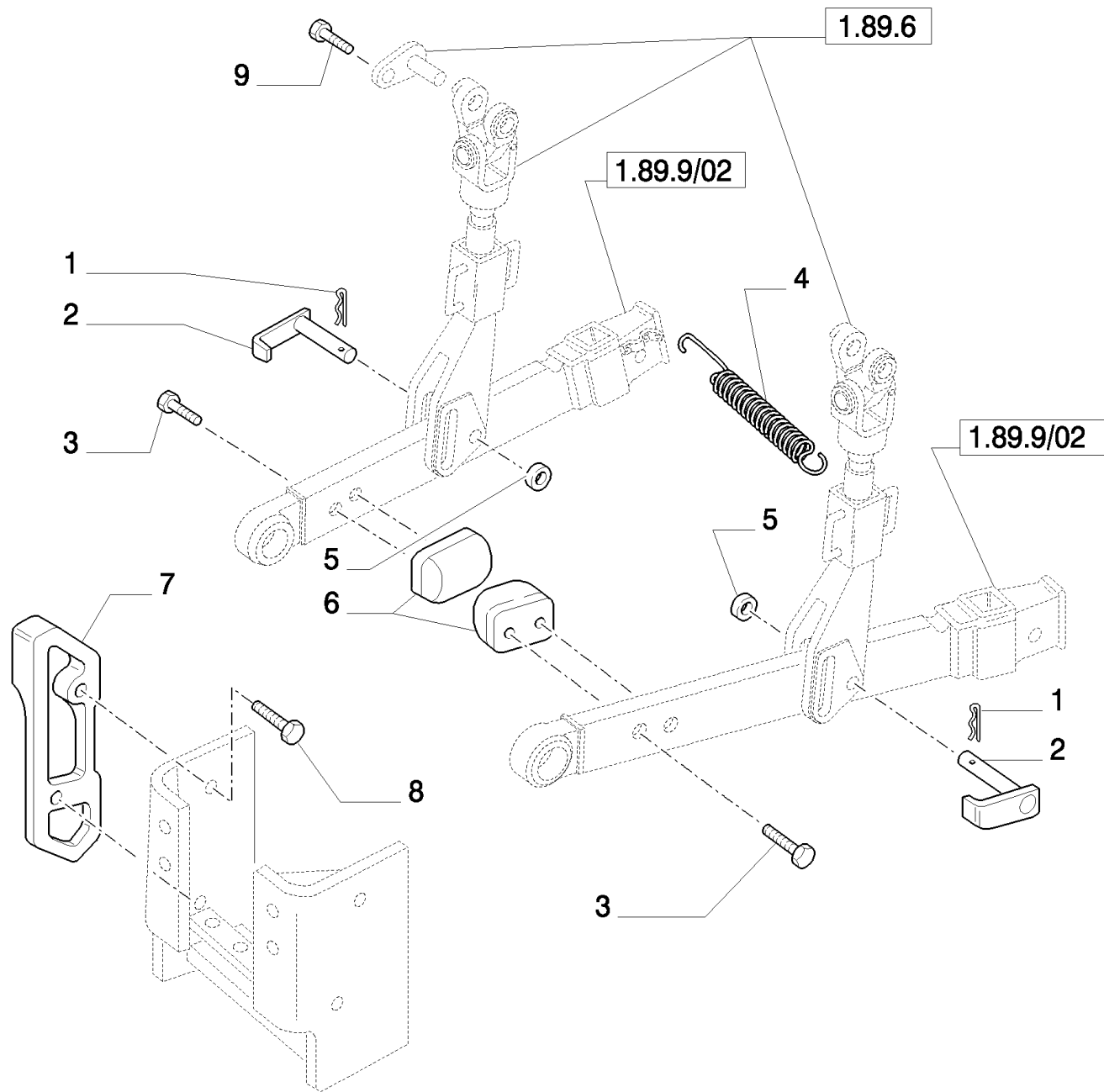
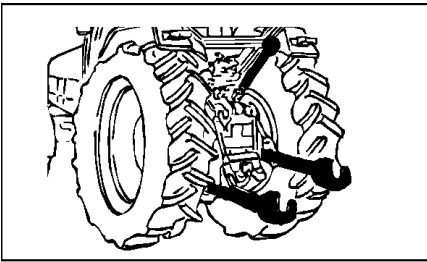
MXM155 CASE IH TRACTOR (6/02- )

1.89.6/ E(01A) UPPER LINK BREAKDOWN - D5157

сылка	Номер детали	Кол-во	Описание
1	47125910	1	LINK, TOP,
2	10797801	1	PIN, SPLIT (COTTER), M6.3 x 50,
3	5161787	1	YOKE,
4	14174371	1	PIN, LOCK, M12 x 30, Slotted,
5	5174401	1	HOOK,
6	13407811	1	NIPPLE, LUBE,

D5157 Serial N.ACM192504



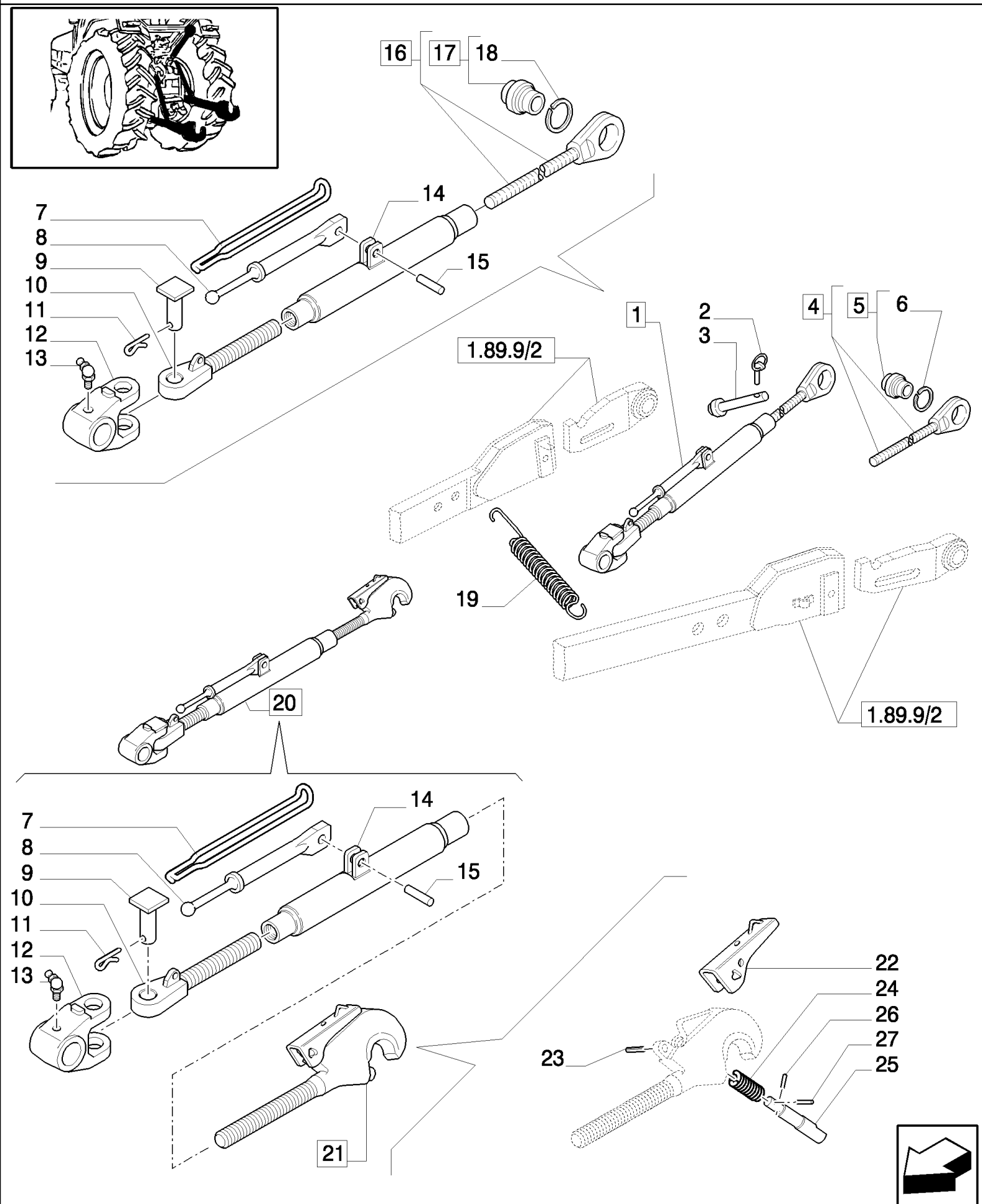


MXM155 CASE IH TRACTOR (6/02- )

1.89.6/03(01) (VAR.881) IMPLEMENT CARRIER (TELESCOPIC ARMS) 2/3 CAT. AND ANTI-SHACKE PLATES

сылка	Номер детали	Кол-во	Описание
1	5112606	2	PIN, SPLIT (COTTER),
2	5168129	2	PIN,
3	15541224	4	BOLT, Hex, M12 x 1.25 x 70, 8.8,
4	4959776	1	SPRING, , D5155-
5	562106	2	WASHER,
6	47125836	2	PLATE,
7	47125870	1	LIMITER, TRAVEL, RH
7	47125871	1	LIMITER, TRAVEL, LH
8	11376221	4	BOLT, Hex, M16 x 1.5 x 35, 8.8, Full Thd,
9	82034728	2	SCREW, , D5155-

D5155 Serial N.ACM273922

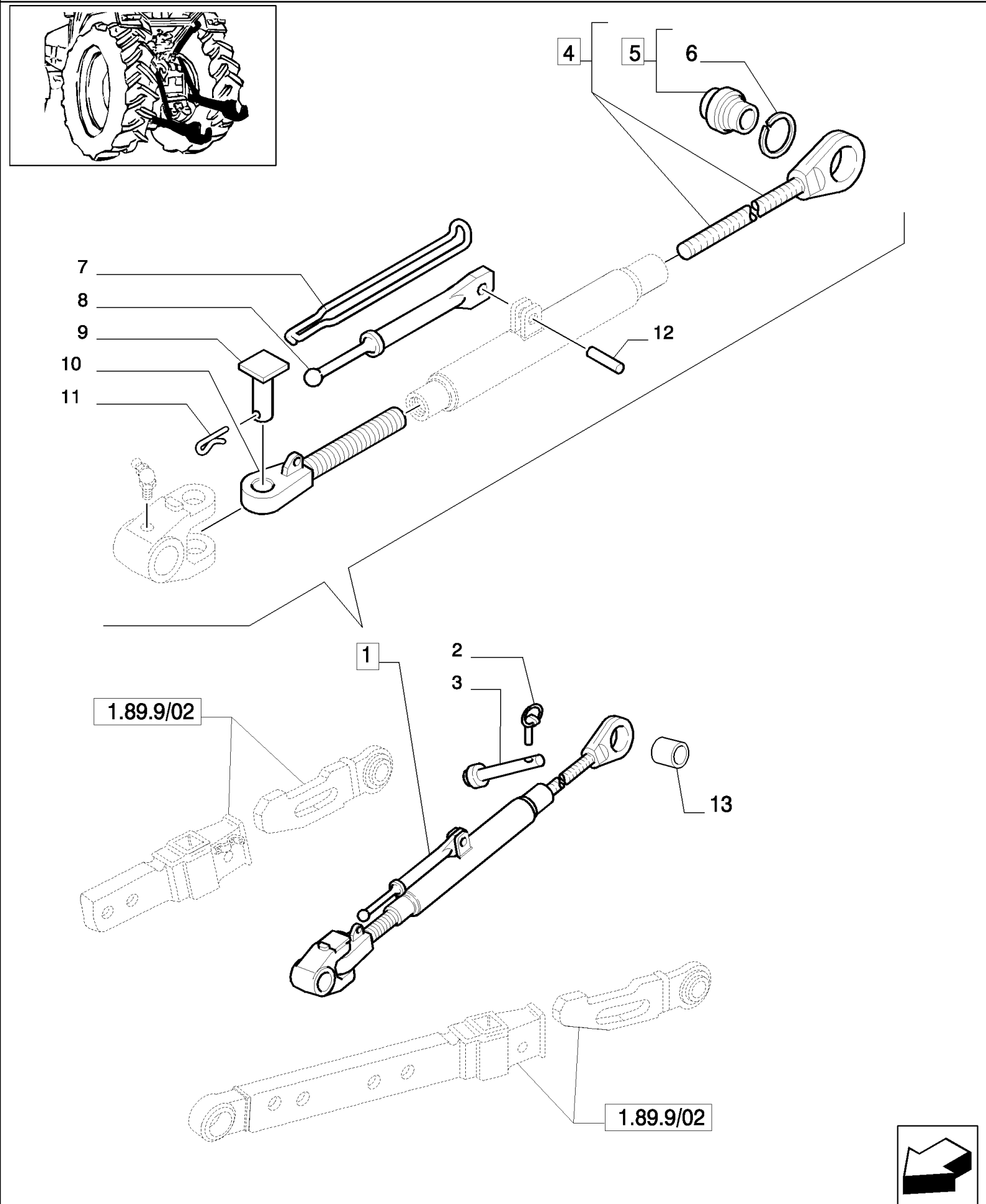


MXM155 CASE IH TRACTOR (6/02- )

1.89.6/03(02) (VAR.881) IMPLEMENT CARRIER (TELESCOPIC ARMS) 2/3 CAT. AND ANTI-SHACKE PLATES - C5155

сылка	Номер детали	Кол-во	Описание
1	5172580	1	LINK, TOP, Assy, BSN ACM192503
2	5132146	2	PIN, SPLIT (COTTER),
3	44015196	1	PIN,
4	5143017	1	LINK, TOP, Assy, Cat. 3
5	44017713	1	BUSHING,
6	44017711	1	RING, LOCKING,
7	5140619	1	SPRING, , BSN ACM192503
8	5172394	1	LEVER, , BSN ACM192503
9	5161789	1	PIN, , BSN ACM192503
10	5162335	1	END ASSY, LIFT LINK, , BSN ACM192503
11	10797801	1	PIN, SPLIT (COTTER), M6.3 x 50,
12	5161787	1	YOKE,
13	13407811	1	NIPPLE, LUBE,
14	5162318	1	SLEEVE, ADJUSTING, , BSN ACM192503
15	14174371	1	PIN, LOCK, M12 x 30, Slotted,
16	5143018	1	LINK, TOP, Cat. 2, BSN ACM192503
17	44017570	1	BUSHING, , BSN ACM192503
18	44015788	1	RING, LOCKING, , BSN ACM192503
19	4959776	1	SPRING, , ASN ACM214035
20	47125910	1	LINK, TOP, , ASN ACM192504
21	5174401	1	HOOK, , ASN ACM192504
22	9966549	1	LEVER, , ASN ACM192504
23	9966523	1	PIN, ROLL, , ASN ACM192504
24	9966524	1	SPRING, , ASN ACM192504
25	9966527	1	PIN, , ASN ACM192504
26	9966521	1	PIN, ROLL, , ASN ACM192504
27	9966522	1	PIN, ROLL, , ASN ACM192504

D5157 Serial N.ACM192504 D5165 Serial N.ACM214035 C5155 Serial N.ACM273921

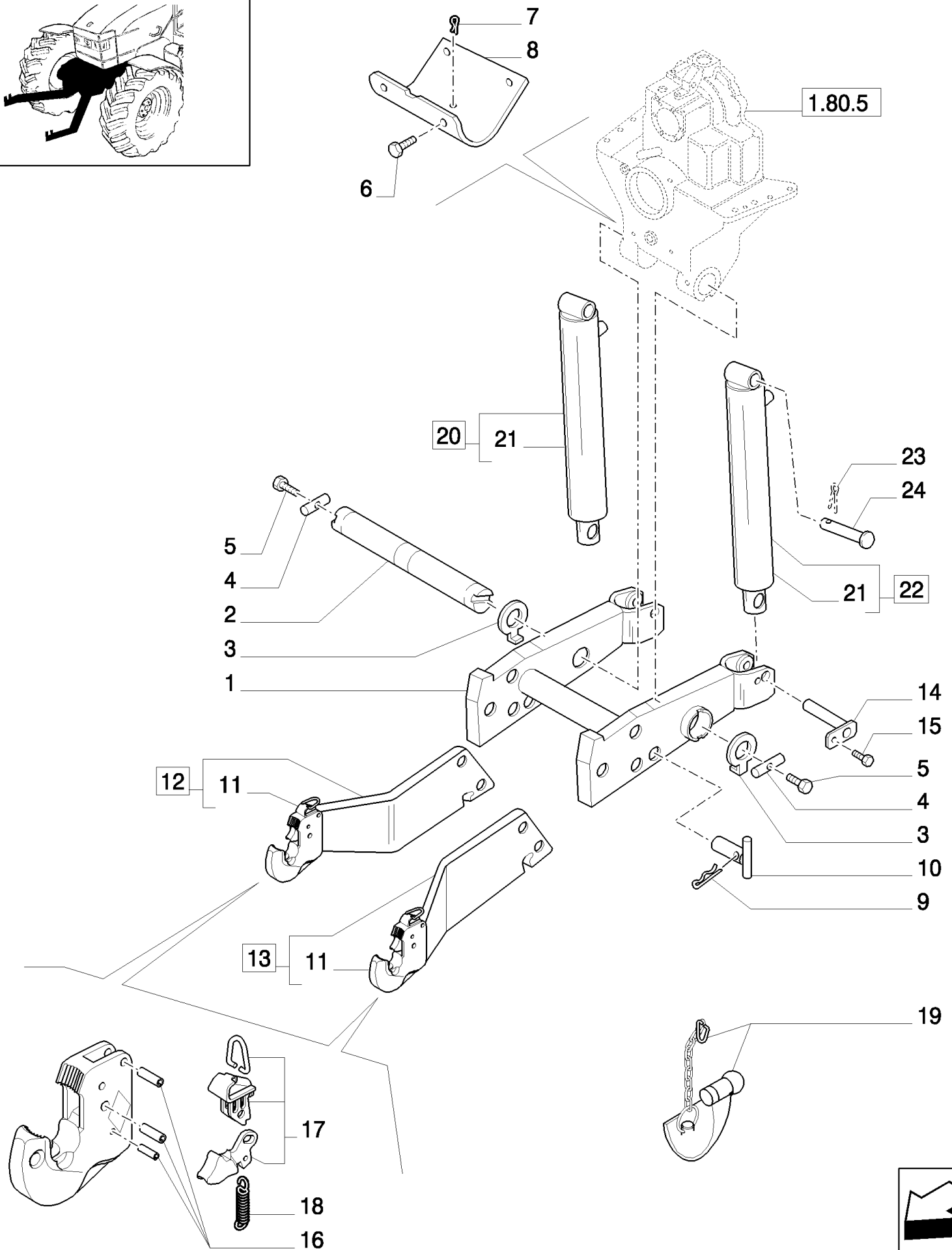
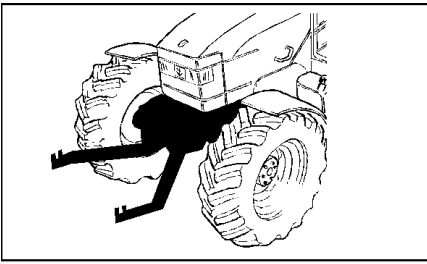


MXM155 CASE IH TRACTOR (6/02- )

1.89.6/03(02A) (VAR.881) IMPLEMENT CARRIER (TELESCOPIC ARMS) 2/3 CAT. AND ANTI-SHACKE PLATES - D5155

сылка	Номер детали	Кол-во	Описание
1	87355203	1	LINK, TOP, Assy
1	47125910	1	LINK, TOP,
2	5132146	2	PIN, SPLIT (COTTER),
3	44015196	1	PIN,
4	5143017	1	LINK, TOP, Assy, Cat. 3
5	44017713	1	BUSHING,
6	44017711	1	RING, LOCKING,
7	5140619	1	SPRING,
8	5172394	1	LEVER,
9	5161789	1	PIN,
10	5162335	1	END ASSY, LIFT LINK,
11	10797801	1	PIN, SPLIT (COTTER), M6.3 x 50,
12	14174371	1	PIN, LOCK, M12 x 30, Slotted,
13	47123097	1	BUSHING,

D5155 Serial N.ACM273922



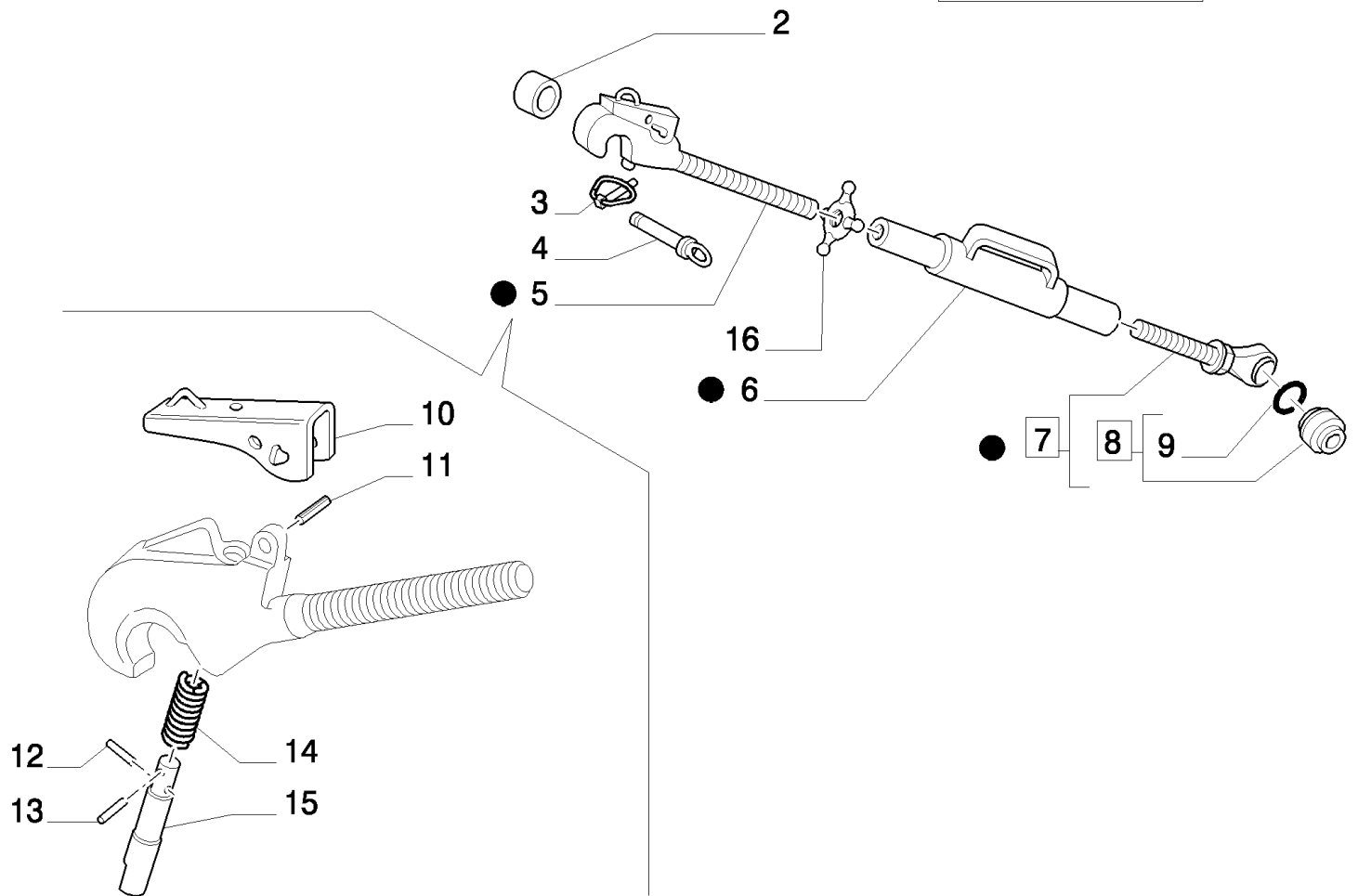
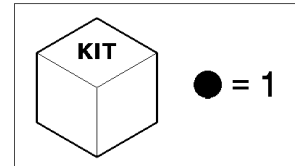
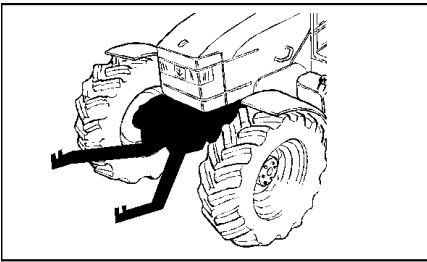
MXM155 CASE IH TRACTOR (6/02- )

1.89.6/07(01) (VAR.780-781) LIFT AND FRONT PTO (WITH 6 - 21 SPLINES) CCLS - LIFT BOOMS AND CYLINDERS

сылка	Номер детали	Кол-во	Описание
1	82015475	1	FRAME, , -C5155
1	87359524	1	FRAME, , D5155-
2	82015453	1	SHAFT,
3	5167903	2	PLATE, ADJUSTING,
4	5167902	2	BLOCK,
5	11408324	2	BOLT, Hex, M14 x 1.5 x 35, 8.8, Full Thd,
6	15970724	4	BOLT, Hex, M10 x 1.25 x 25, 8.8, Full Thd,
7	81812862	1	PIN, SPLIT (COTTER), 3/16" x 1-1/4"
8	5179043	1	SHIELD,
9	82015901	4	PIN,
10	82015476	4	PIN,
11	5189331	2	HOOK,
12	82021029	1	ARM, LIFT, LH
13	82021030	1	ARM, LIFT, RH
14	5165102	2	PIN,
15	15970524	2	BOLT, Hex, M10 x 1.25 x 20, 8.8, Full Thd,
16	5189337	1	KIT, Spring Pin
17	5189339	1	KIT, Lever
18	5189340	1	SPRING,
19	5127760	2	BALL, Cat. 2
20	82015487	1	CYLINDER, RH
21	82015470	2	KIT, SEALS, Seals
22	82015486	1	CYLINDER, LH
23	5112606	2	PIN, SPLIT (COTTER),
24	5178459	2	PIN,

D5155 Serial N.ACM273922

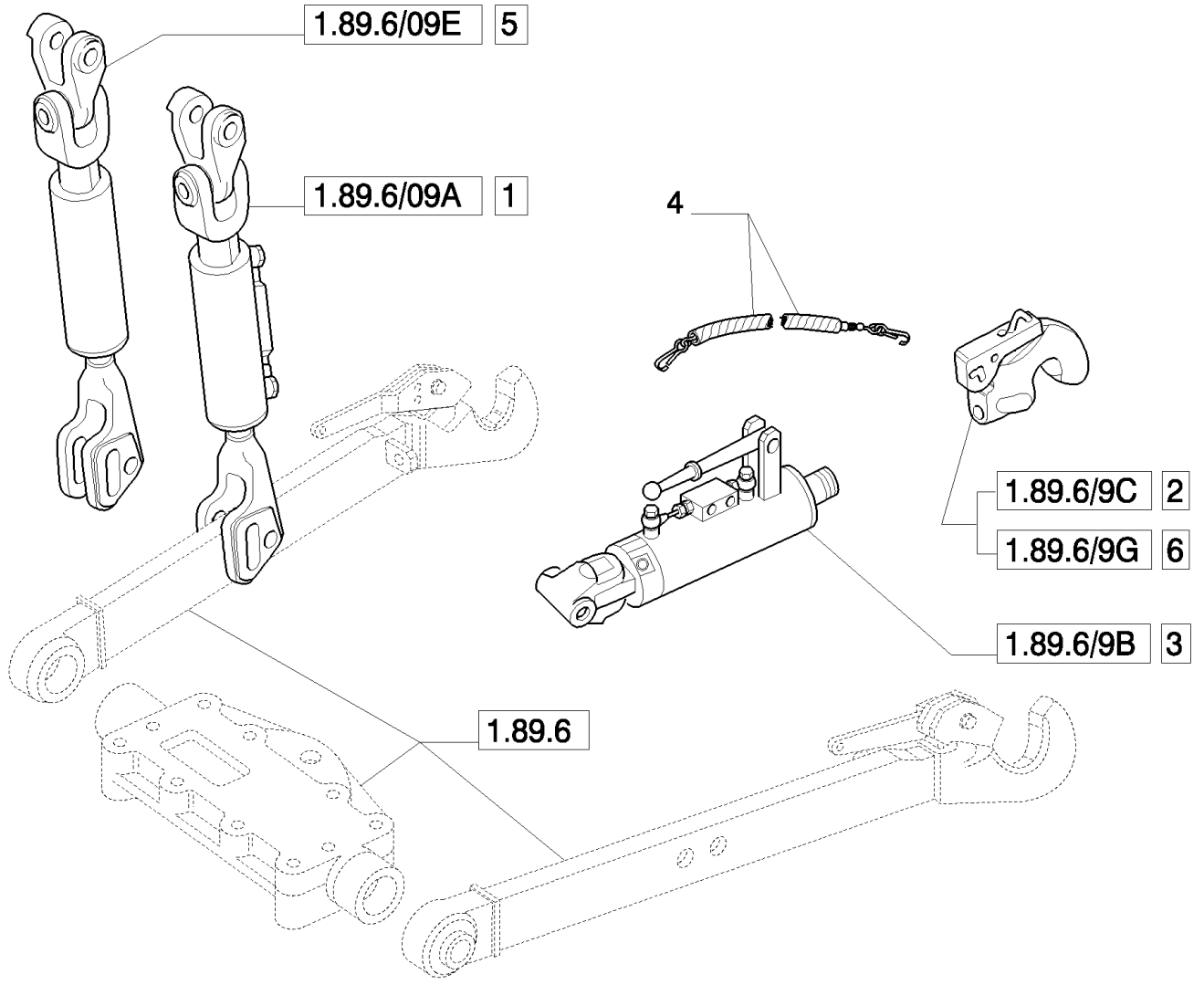
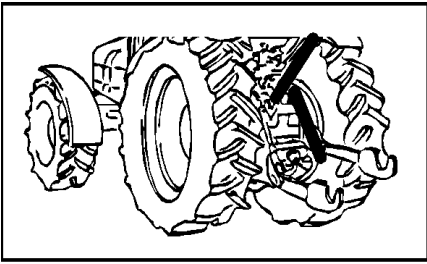




MXM155 CASE IH TRACTOR (6/02- )

1.89.6/07(02) (VAR.780-781) LIFT AND FRONT PTO (WITH 6 - 21 SPLINES) CCLS - SPRAG

сылка	Номер детали	Кол-во	Описание
1	82030225	1	LINK, TOP,
2	5172480	1	BALL, Cat. 2
3	5166585	1	PIN, LOCK,
4	822483	1	PIN,
5	82012616	1	HOOK,
6	82030224	1	SLEEVE, ADJUSTING,
7	5145505	1	LINK, TOP,
8	44017570	1	BUSHING,
9	44015788	1	RING, LOCKING,
10	9966549	1	LEVER,
11	9966523	1	PIN, ROLL,
12	9966521	1	PIN, ROLL,
13	9966522	1	PIN, ROLL,
14	9966524	1	SPRING,
15	9966526	1	PIN,
16	86026358	1	NUT,

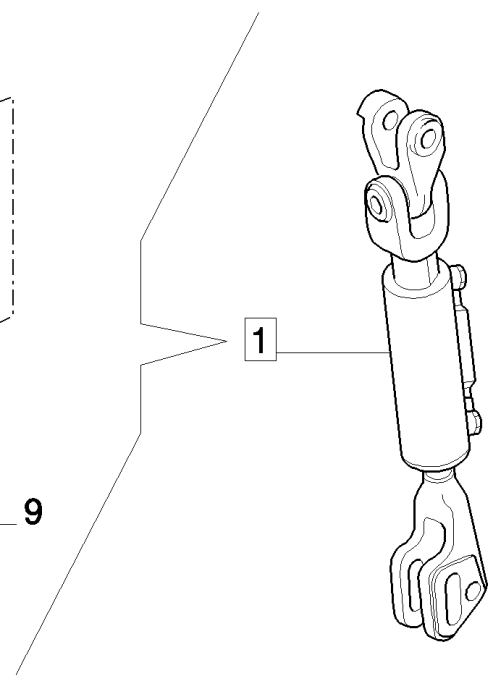
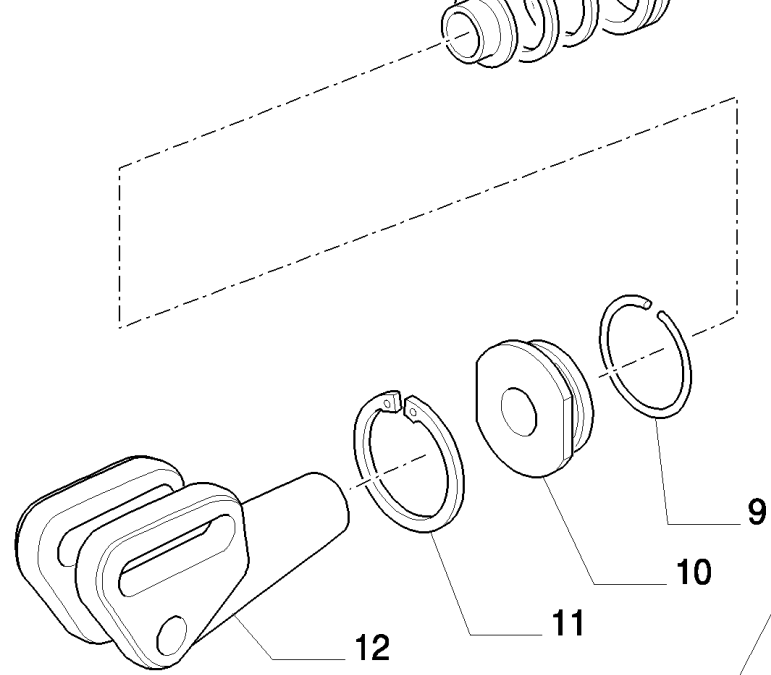
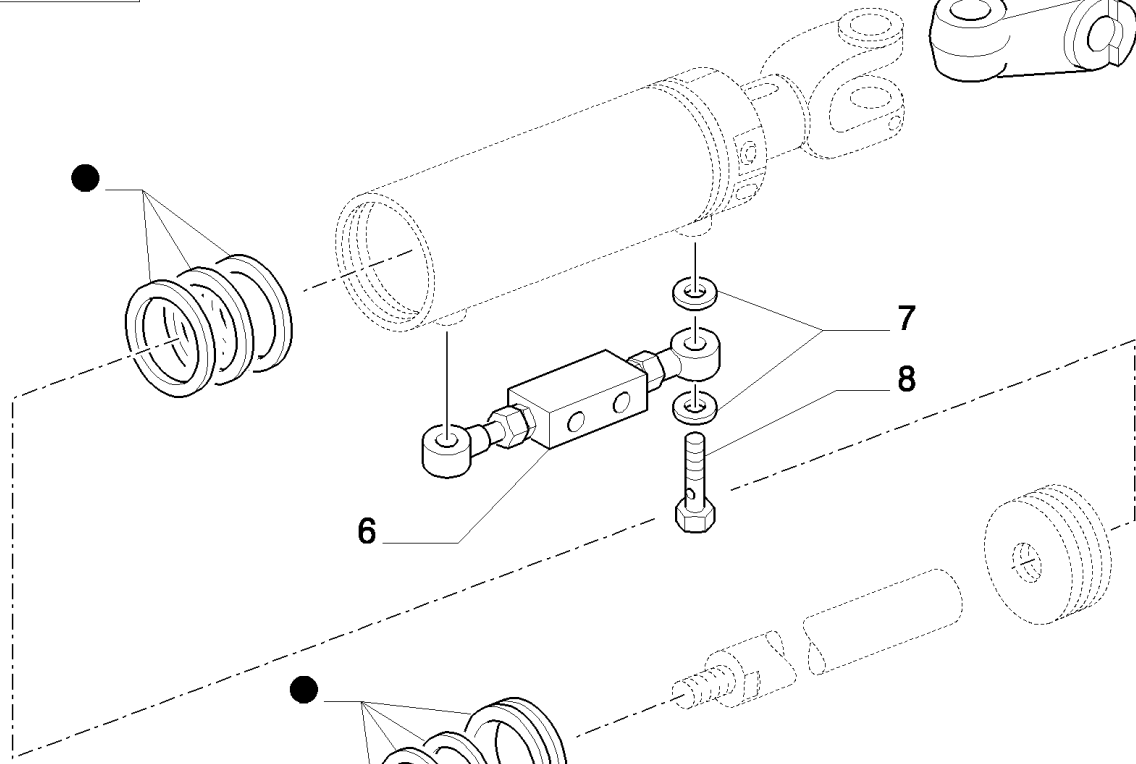
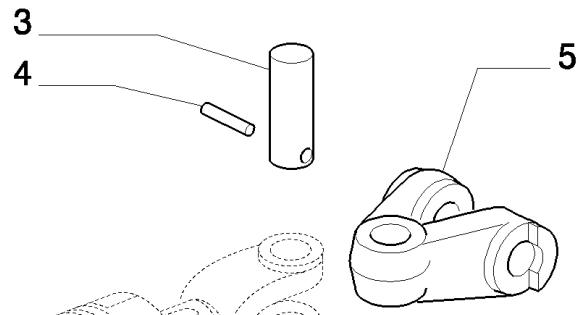
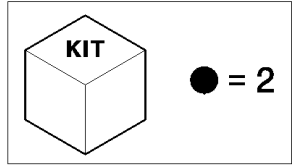
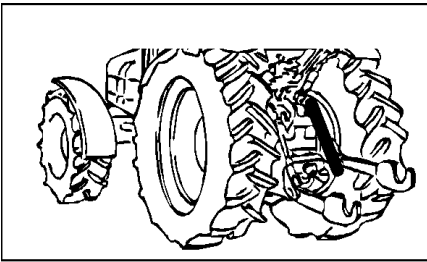


MXM155 CASE IH TRACTOR (6/02- )

1.89.6/09(01) (VAR.900) HYDRAULIC ADJUSTMENT OF RIGHT TIE-ROD FOR CLOSED CCLS CENTRE - TIE-ROD AND CYLINDER

сылка	Номер детали	Кол-во	Описание
1	47125828	1	TIE-ROD, Assy, MXM140, MXM155, Grey Gloss 90, BSN ACM214034
1	47130645	1	TIE-ROD, Assy, MXM140, MXM155, ASN ACM214035
2	5174404	1	HOOK, , BSN 228934
3	47125866	1	HYDRAULIC CYLINDER,
4	5174402	1	LINK, CHAIN,
5	47125829	1	LIFT RAM WITH PREDISPOSIT, Assy, MXM120, MXM130, Grey Gloss 90, BSN ACM214034
5	47130643	1	LIFT RAM WITH PREDISPOSIT, Assy, MXM120, MXM130, ASN ACM214035
6	82032580	1	HOOK, , ASN 228935

D5165 Serial N.ACM214035 D5290 Serial N.228935

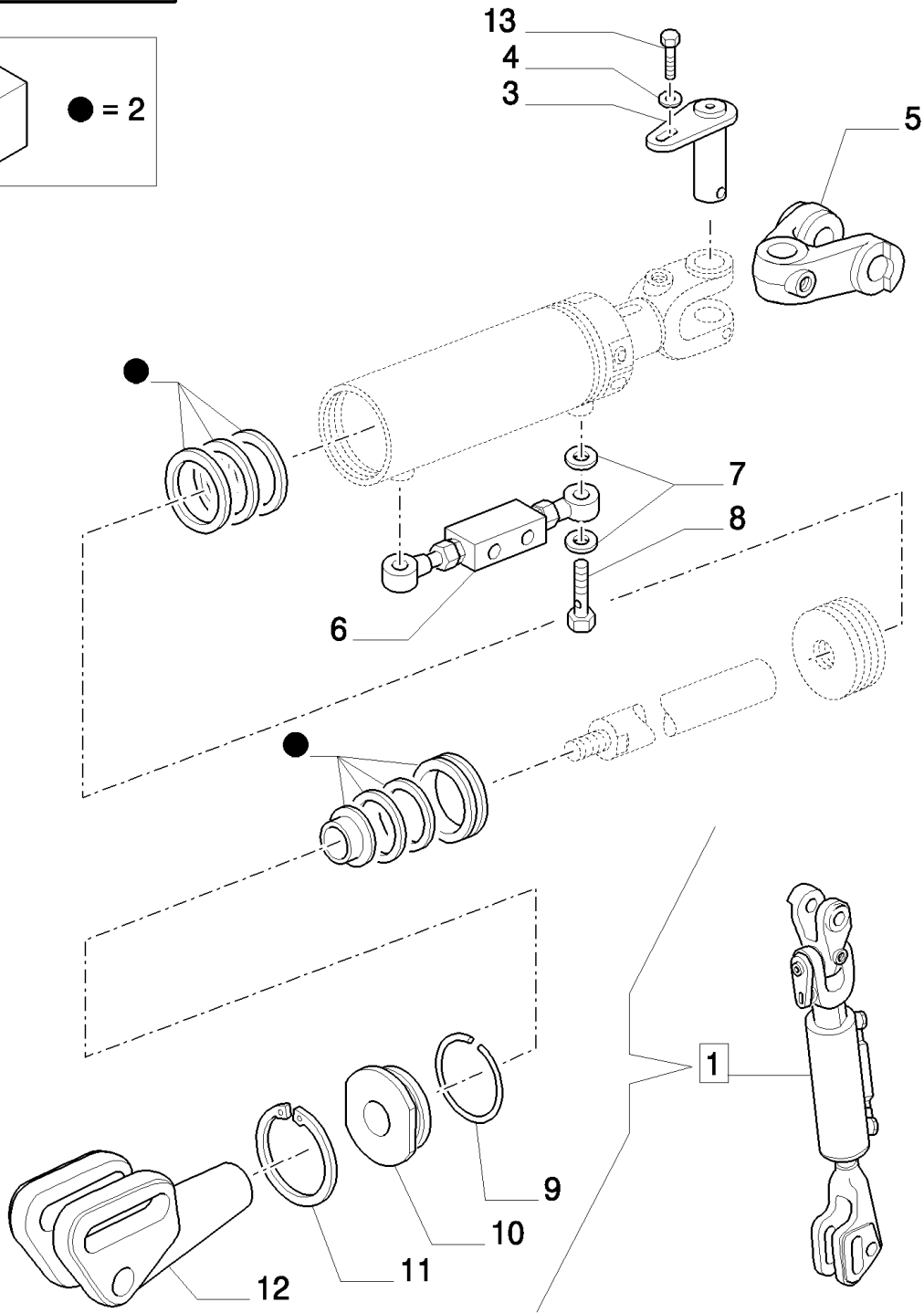
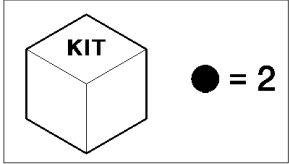
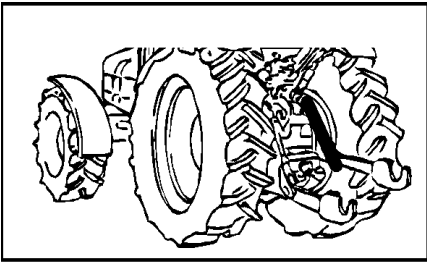


MXM155 CASE IH TRACTOR (6/02- )

1.89.6/09A(01) (VAR.900) HYDR. ADJUST. OF RIGHT TIE-ROD AND 3 POINT LINK FOR CLOSED CCLS CENTRE - TIE-ROD - C516

сылка	Номер детали	Кол-во	Описание
1	47125828	1	TIE-ROD, Assy
2	9970480	1	KIT, SEALS, Gaskets
3	9970487	1	PIN,
4	16104121	1	NUT, LOCK, M8 x 1.25, CI 10,
5	9970488	1	YOKE,
6	9970481	1	VALVE, HYDRAULIC,
7	9970483	4	WASHER, SEALING,
8	9970482	2	BOLT, BANJO,
9	5192132	1	RING, RUBBER,
10	9970485	1	GLAND,
11	5192129	1	RING, LOCKING,
12	9970458	1	YOKE,
13	16044531	1	BOLT, Hex, M8 x 65, 10.9,

C5165 Serial N.ACM214034



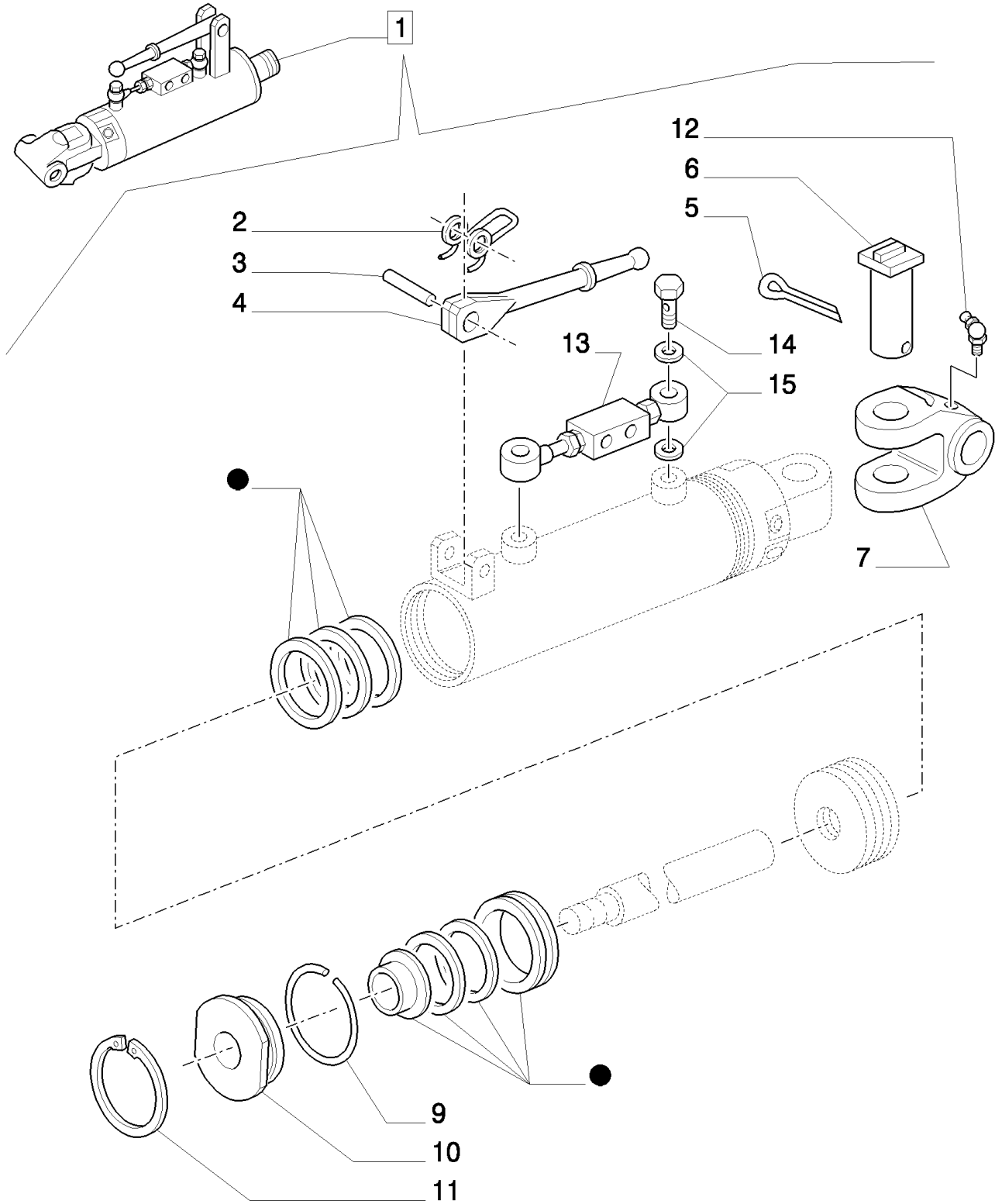
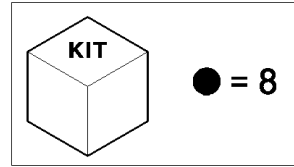
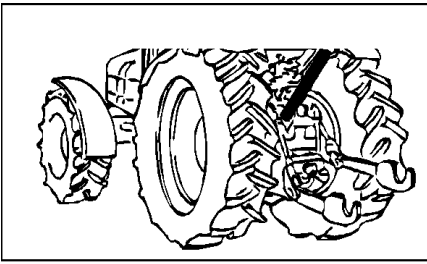
MXM155 CASE IH TRACTOR (6/02- )

1.89.6/09A(01A) (VAR.900) HYDR. ADJUST. OF RIGHT TIE-ROD AND 3 POINT LINK FOR CLOSED CCLS CENTRE - TIE-ROD - D51

сылка	Номер детали	Кол-во	Описание
1	47130645	1	TIE-ROD, Assy
2	5192128	1	KIT, SEALS, Gaskets
3	47130642	1	PIN,
4	14496611	1	WASHER, M10 x 21 x 2,
5	47130638	1	YOKE,
6	9970481	1	VALVE, HYDRAULIC,
7	9970483	4	WASHER, SEALING,
8	9970482	2	BOLT, BANJO,
9	5192132	1	RING, RUBBER,
10	9970485	1	GLAND,
11	5192129	1	RING, LOCKING,
12	9970458	1	YOKE,
13	15970321	1	BOLT, Hex, M10 x 1.25 x 16, 8.8, Full Thd,

D5165 Serial N.ACM214035

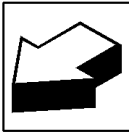
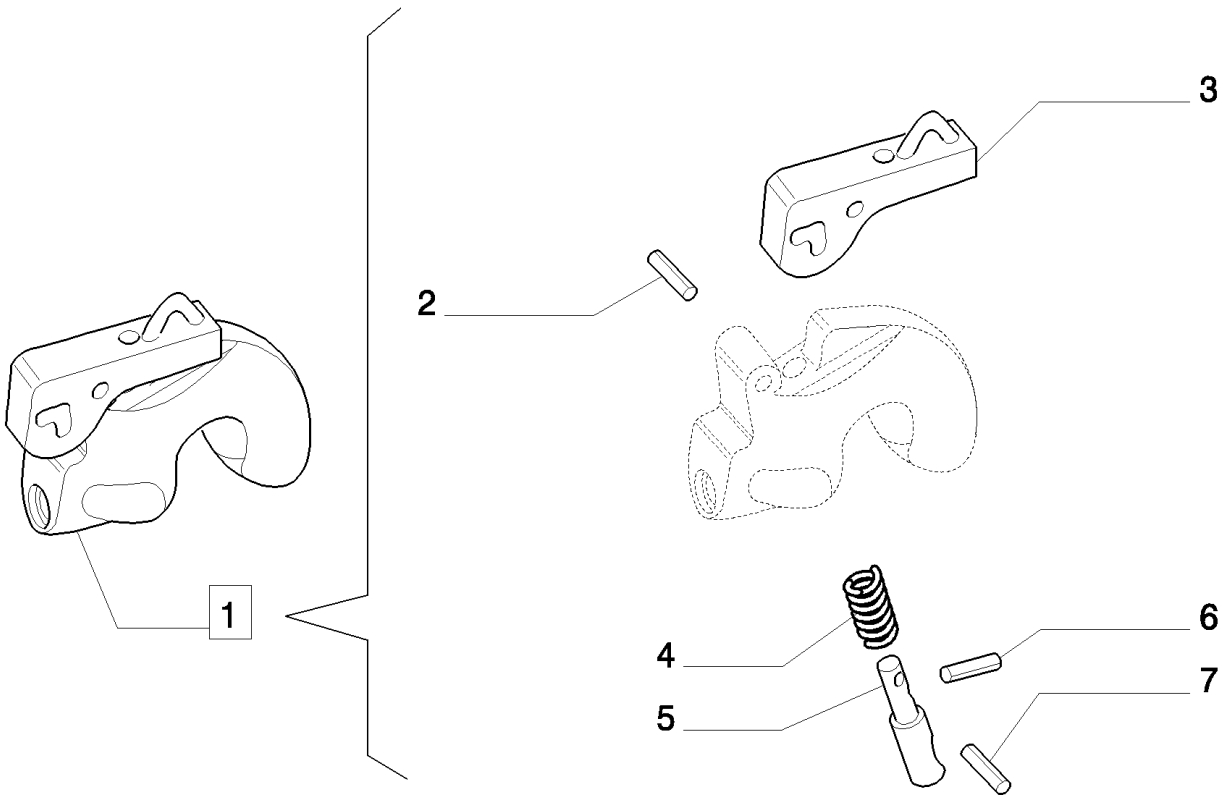
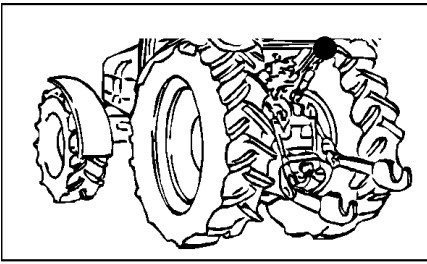




MXM155 CASE IH TRACTOR (6/02- )

1.89.6/09B (VAR.900) HYDR. ADJUSTMENT OF RIGHT TIE-ROD AND 3 POINT LINK FOR CLOSED CCLS CENTRE - CYLINDER

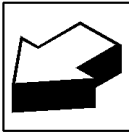
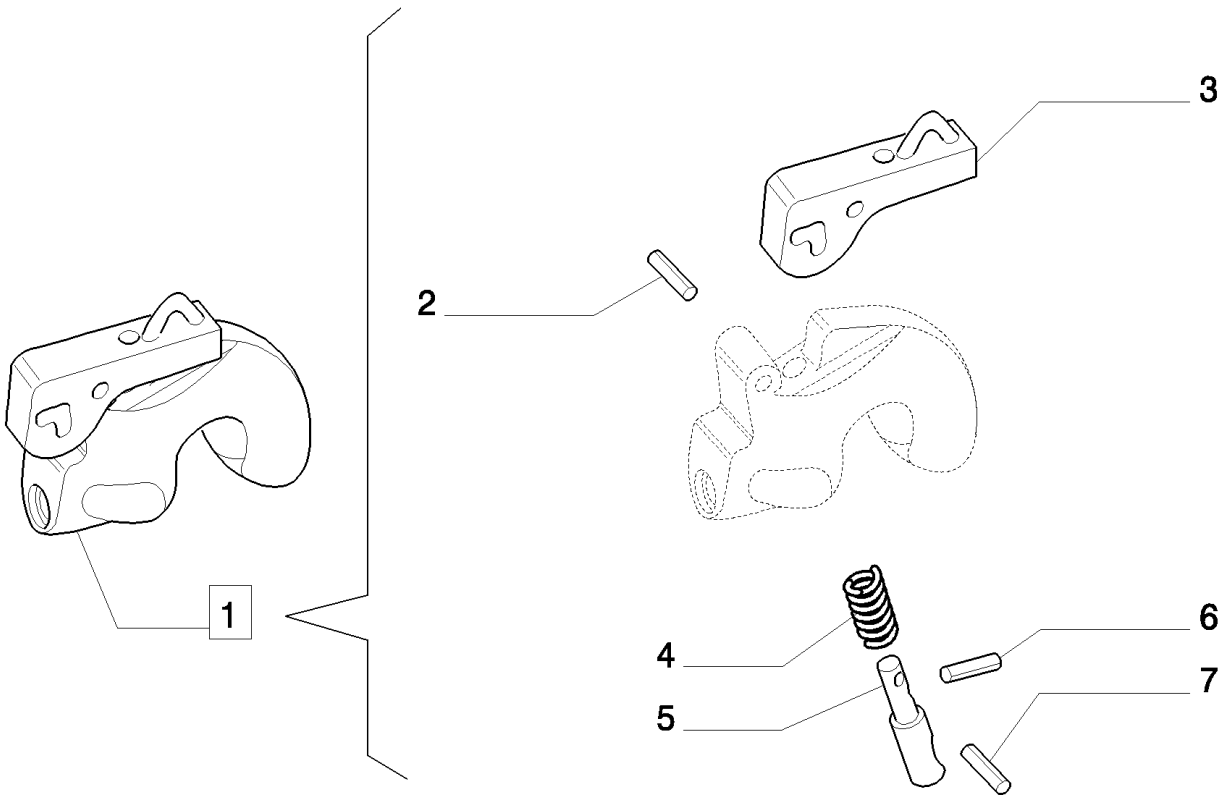
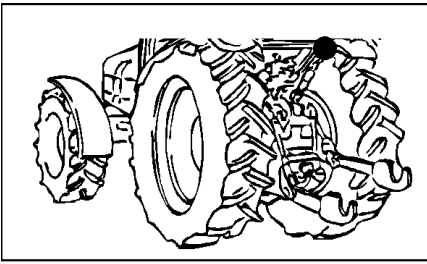
сылка	Номер детали	Кол-во	Описание
1	47125866	1	HYDRAULIC CYLINDER,
2	5157707	1	CLIP, SPRING,
3	14613570	1	PIN, LOCK, M12 x 45, Slotted,
4	5172394	1	LEVER,
5	10797801	1	PIN, SPLIT (COTTER), M6.3 x 50,
6	5161789	1	PIN,
7	5161787	1	YOKE,
8	9970489	1	KIT, Gaskets
9	5192132	1	RING, RUBBER,
10	9970485	1	GLAND,
11	5192129	1	RING, LOCKING,
12	13407811	1	NIPPLE, LUBE,
13	9970490	1	VALVE, HYDRAULIC,
14	9970482	2	BOLT, BANJO,
15	5192132	4	RING, RUBBER,



MXM155 CASE IH TRACTOR (6/02- )

1.89.6/09C (VAR.900) HYDR. ADJUSTMENT OF RIGHT TIE-ROD AND 3 POINT LINK FOR CLOSED CCLS CENTRE - HOOK

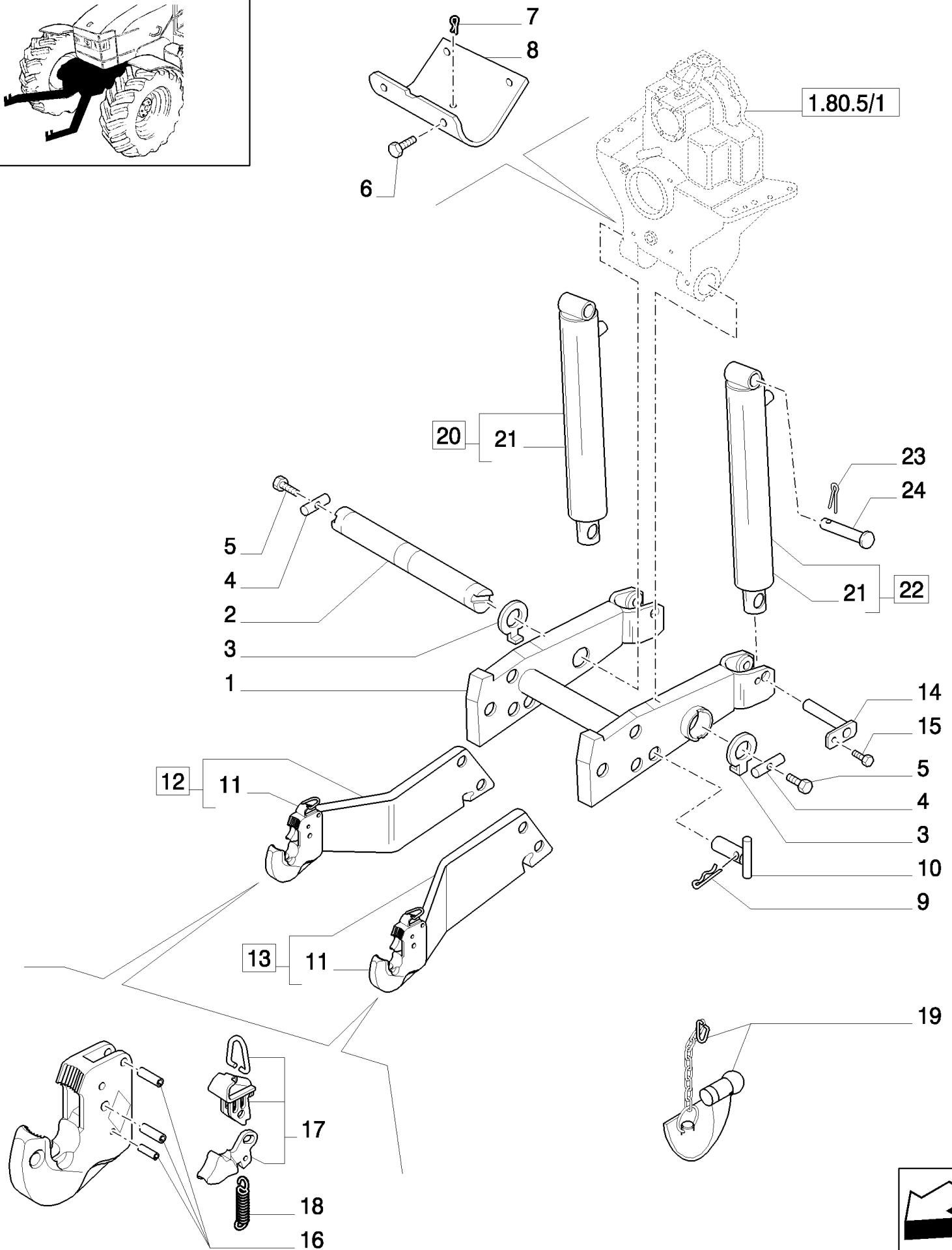
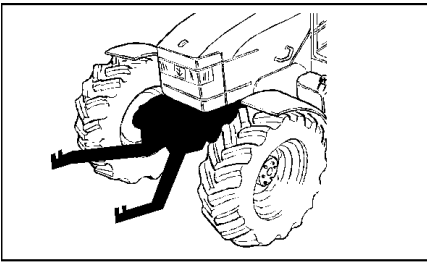
сылка	Номер детали	Кол-во	Описание
1	5174404	1	HOOK,
2	9966523	1	PIN, ROLL,
3	9966549	1	LEVER,
4	9966524	1	SPRING,
5	9966527	1	PIN,
6	9966521	1	PIN, ROLL,
7	9966522	1	PIN, ROLL,



## MXM155 CASE IH TRACTOR (6/02- )

## 1.89.6/09G HOOK - BREAKDOWN

сылка	Номер детали	Кол-во	Описание
1	82032580	1	HOOK,
2	9966523	1	PIN, ROLL,
3	9966549	1	LEVER,
4	9966524	1	SPRING,
5	82032557	1	PIN,
6	9966521	1	PIN, ROLL,
7	9966522	1	PIN, ROLL,



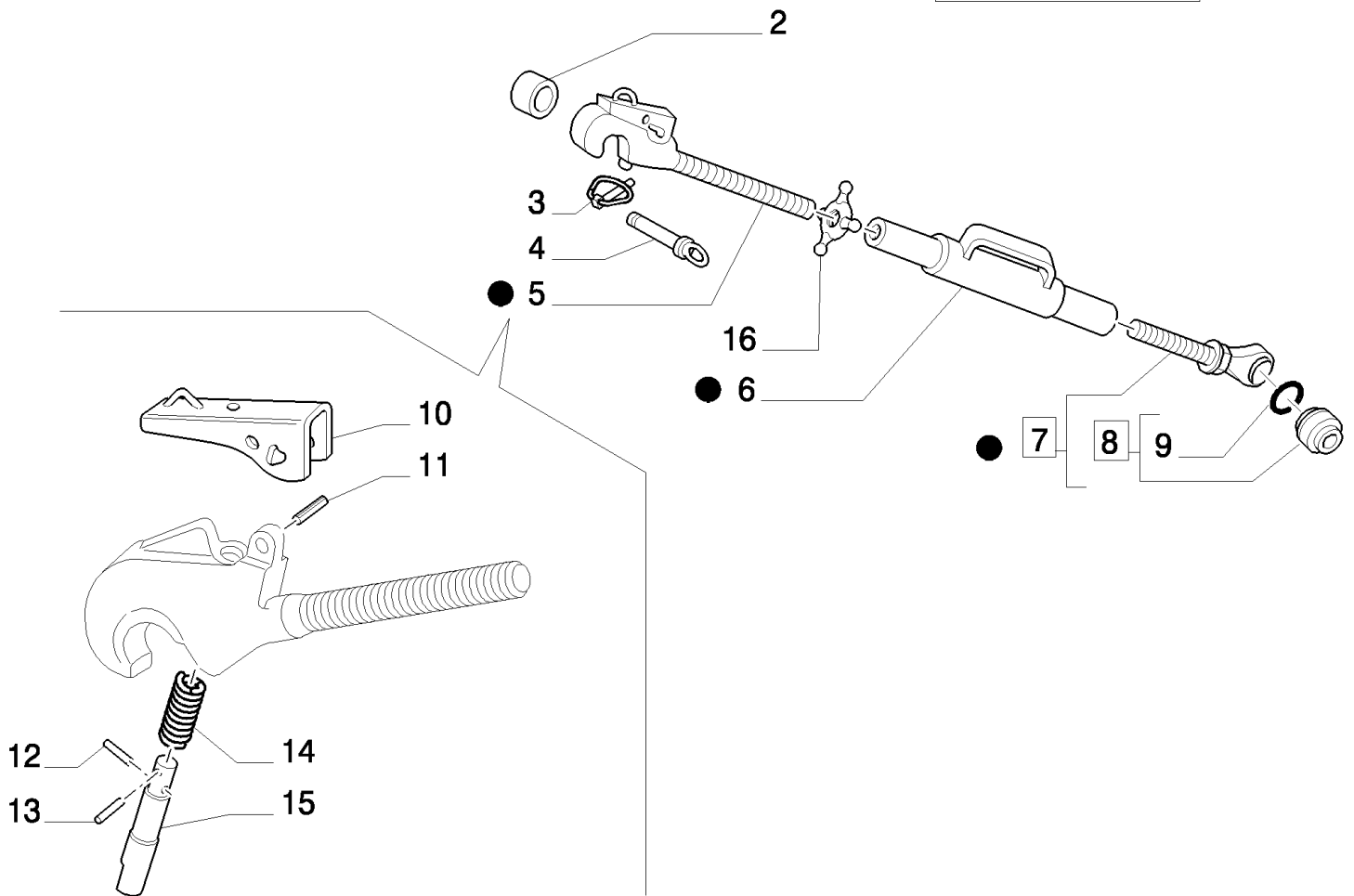
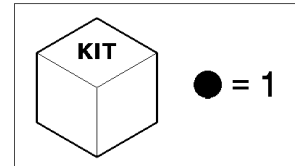
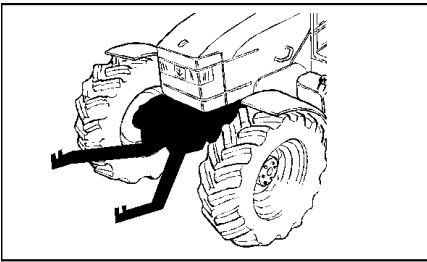
## MXM155 CASE IH TRACTOR (6/02- )

## 1.89.6/10(01) (VAR.789) FRONT HYDRAULIC LIFT FOR CCLS - LIFT BOOMS AND CYLINDERS

сылка	Номер детали	Кол-во	Описание
1	82015475	1	FRAME, , -C5155
1	87359524	1	FRAME, , D5155-
2	82015453	1	SHAFT,
3	5167903	2	PLATE, ADJUSTING,
4	5167902	2	BLOCK,
5	11408324	2	BOLT, Hex, M14 x 1.5 x 35, 8.8, Full Thd,
6	15970724	4	BOLT, Hex, M10 x 1.25 x 25, 8.8, Full Thd,
7	81812862	1	PIN, SPLIT (COTTER), 3/16" x 1-1/4"
8	5179043	1	SHIELD,
9	82015901	4	PIN,
10	82015476	4	PIN,
11	5189331	2	HOOK,
12	82021029	1	ARM, LIFT, LH
13	82021030	1	ARM, LIFT, RH
14	5165102	2	PIN,
15	15970524	2	BOLT, Hex, M10 x 1.25 x 20, 8.8, Full Thd,
16	5189337	1	KIT, Spring Pin
17	5189339	1	KIT, Lever
18	5189340	1	SPRING,
19	5127760	2	BALL, Cat. 2
20	82015487	1	CYLINDER, RH
21	82015470	2	KIT, SEALS, Seals
22	82015486	1	CYLINDER, LH
23	5112606	2	PIN, SPLIT (COTTER),
24	5178459	2	PIN,

D5155 Serial N.ACM273922



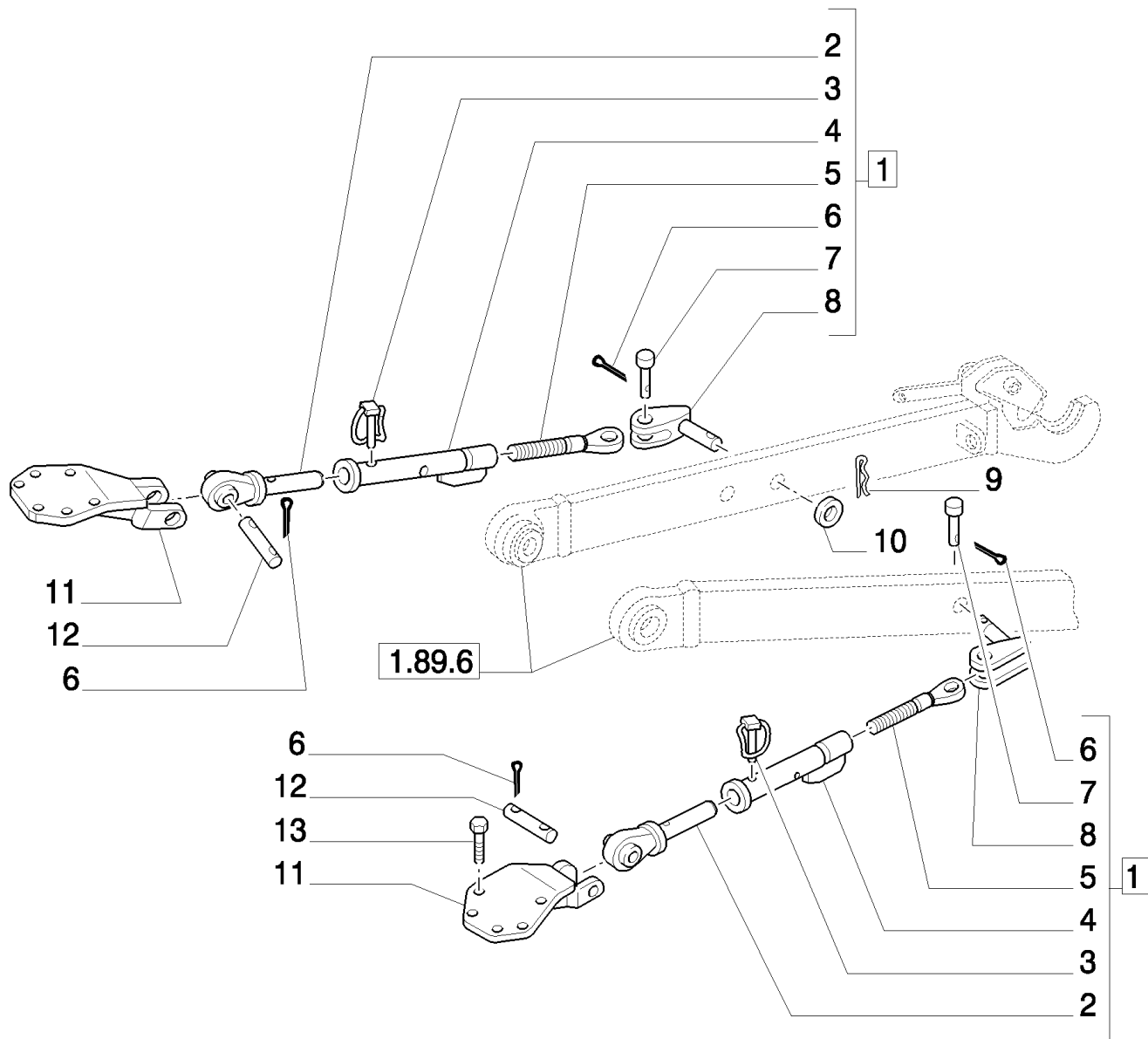
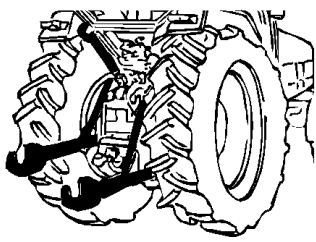


MXM155 CASE IH TRACTOR (6/02- )

1.89.6/10(02) (VAR.789) FRONT HYDRAULIC LIFT FOR CCLS - SPRAG

сылка	Номер детали	Кол-во	Описание
1	82030225	1	LINK, TOP, Front
2	5172480	1	BALL, Cat. 2
3	5166585	1	PIN, LOCK,
4	822483	1	PIN,
5	82012616	1	HOOK,
6	82030224	1	SLEEVE, ADJUSTING,
7	5145505	1	LINK, TOP,
8	44017570	1	BUSHING,
9	44015788	1	RING, LOCKING,
10	9966549	1	LEVER,
11	9966523	1	PIN, ROLL,
12	9966521	1	PIN, ROLL,
13	9966522	1	PIN, ROLL,
14	9966524	1	SPRING,
15	9966526	1	PIN,
16	86026358	1	NUT,

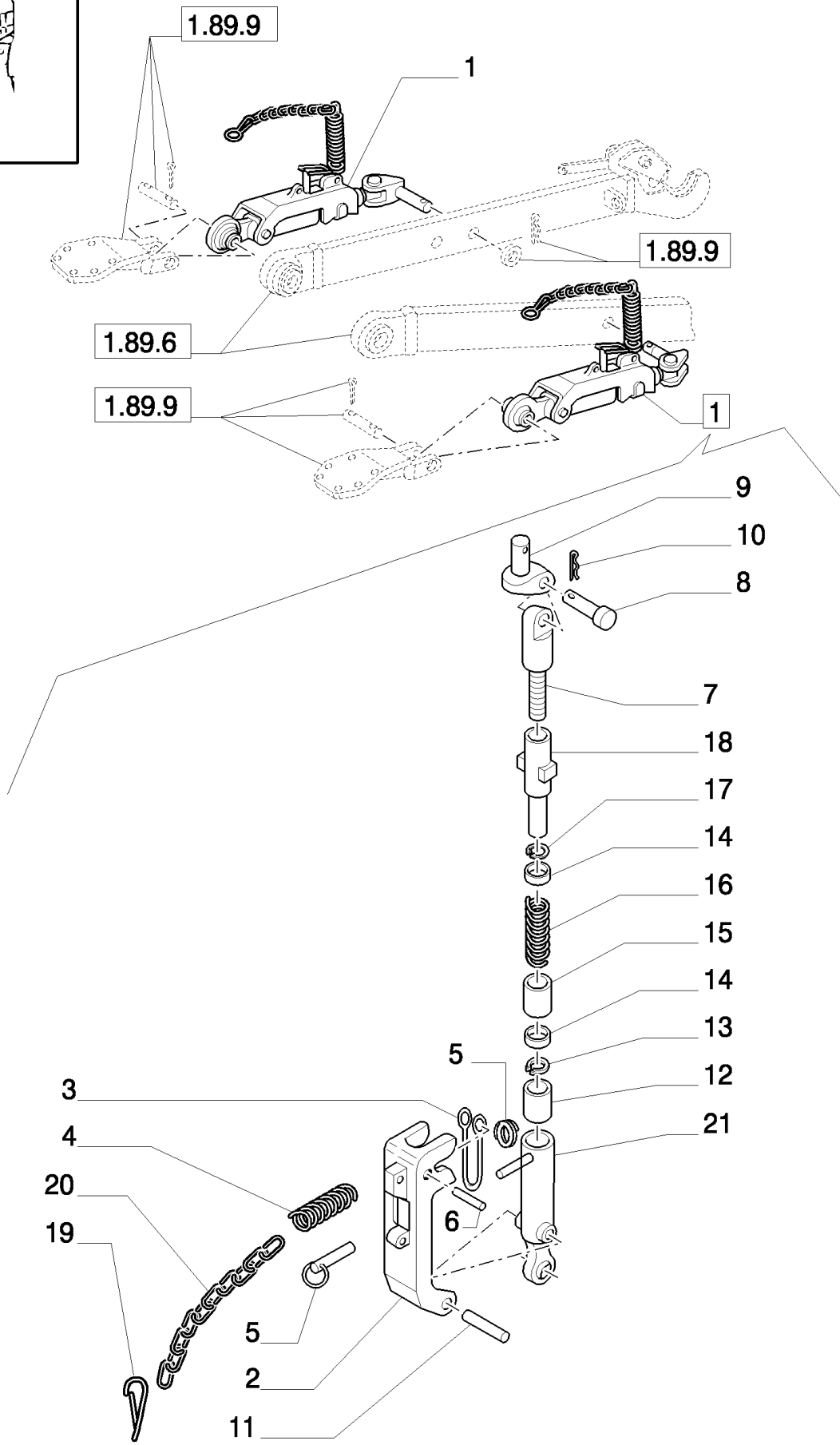
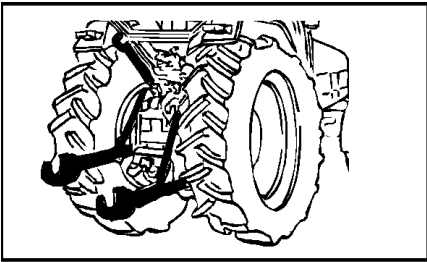
1.89.9 LATERAL STABILIZERS



## MXM155 CASE IH TRACTOR (6/02- )

## 1.89.9 LATERAL STABILIZERS

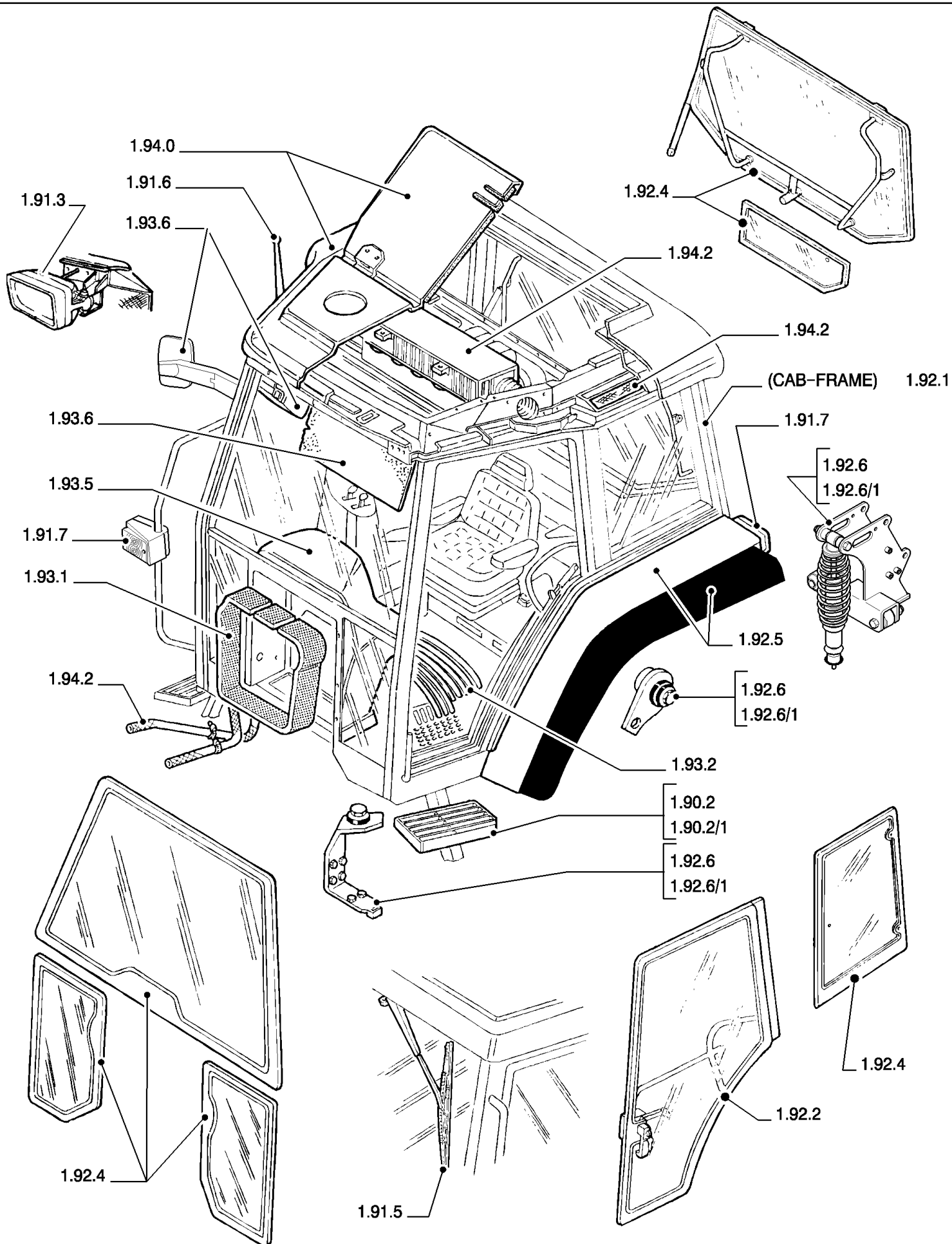
сылка	Номер детали	Кол-во	Описание
1	5170360	2	STABILIZER,
2	5153265	2	END,
3	5103862	2	PIN, LOCK,
4	5153261	2	SLEEVE, ADJUSTING,
5	5103856	2	ROD, Threaded
6	10798401	6	PIN, SPLIT (COTTER), M6.3 x 40,
7	5103861	2	PIN,
8	5162486	2	PIN,
9	5112606	2	PIN, SPLIT (COTTER),
10	562106	2	WASHER,
11	5154776	2	SUPPORT,
12	5125861	2	PIN,
13	15984324	8	BOLT, Hex, M18 x 1.5 x 50, 8.8, Full Thd,



## MXM155 CASE IH TRACTOR (6/02- )

## 1.89.9/04 (VAR.742-946) AUTO LINKAGE STABILIZERS

сылка	Номер детали	Кол-во	Описание
1	47125971	2	STABILIZER,
2	86010956	1	LEVER,
3	86010951	1	LEVER,
4	86010953	1	SPRING,
5	86010945	1	RING, , -C5553
5	87601253	1	RING, , D5553-
6	86011031	1	PIN, ROLL,
7	5184534	1	PIN, Threaded
8	5103861	1	PIN,
9	5162486	1	PIN,
10	89515820	1	PIN, SPLIT (COTTER),
11	86011032	1	PIN,
12	86010948	1	SLEEVE, ADJUSTING,
13	86011042	1	RING, SNAP,
14	86010946	2	BUSHING, GUIDE,
15	5184526	1	SPACER,
16	86010950	1	SPRING,
17	86011043	1	CIRCLIP,
18	5184529	1	END,
19	5184533	1	CLIP,
20	5184532	1	CHAIN,
21	5184518	1	SLEEVE, , -C5553
21	47125940	1	SLEEVE, , D5553-



MXM155 CASE IH TRACTOR (6/02- )

1.90.1(01) SEC. 10 - DRIVER'S COMPARTMENT

сылка	Номер детали	Кол-во	Описание



MISCELLANEOUS CAPS

1.96.7

1.91.1  
1.91.1/1

1.97.1

1.95.4  
1.95.4/1

1.97.0  
1.96.0  
1.96.0/1

1.97.1

1.97.0

1.93.0

1.91.7

1.96.3

1.93.0

1.96.2

1.91.6

1.95.0  
1.95.0/1

1.91.4

1.91.7

1.93.5

1.91.0

1.95.5  
1.95.5/1

1.93.3

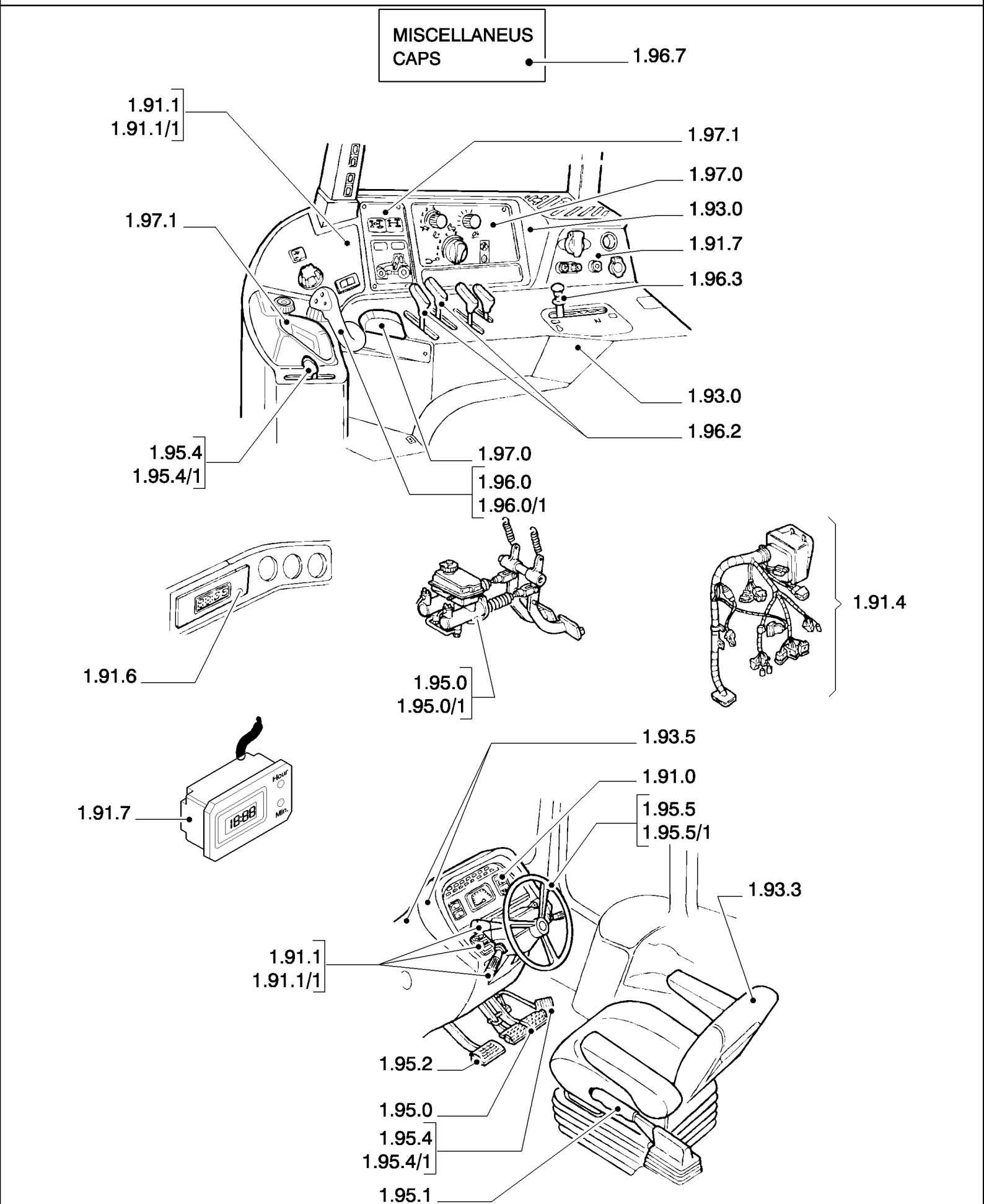
1.91.1  
1.91.1/1

1.95.2

1.95.0

1.95.4  
1.95.4/1

1.95.1

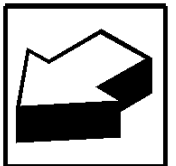
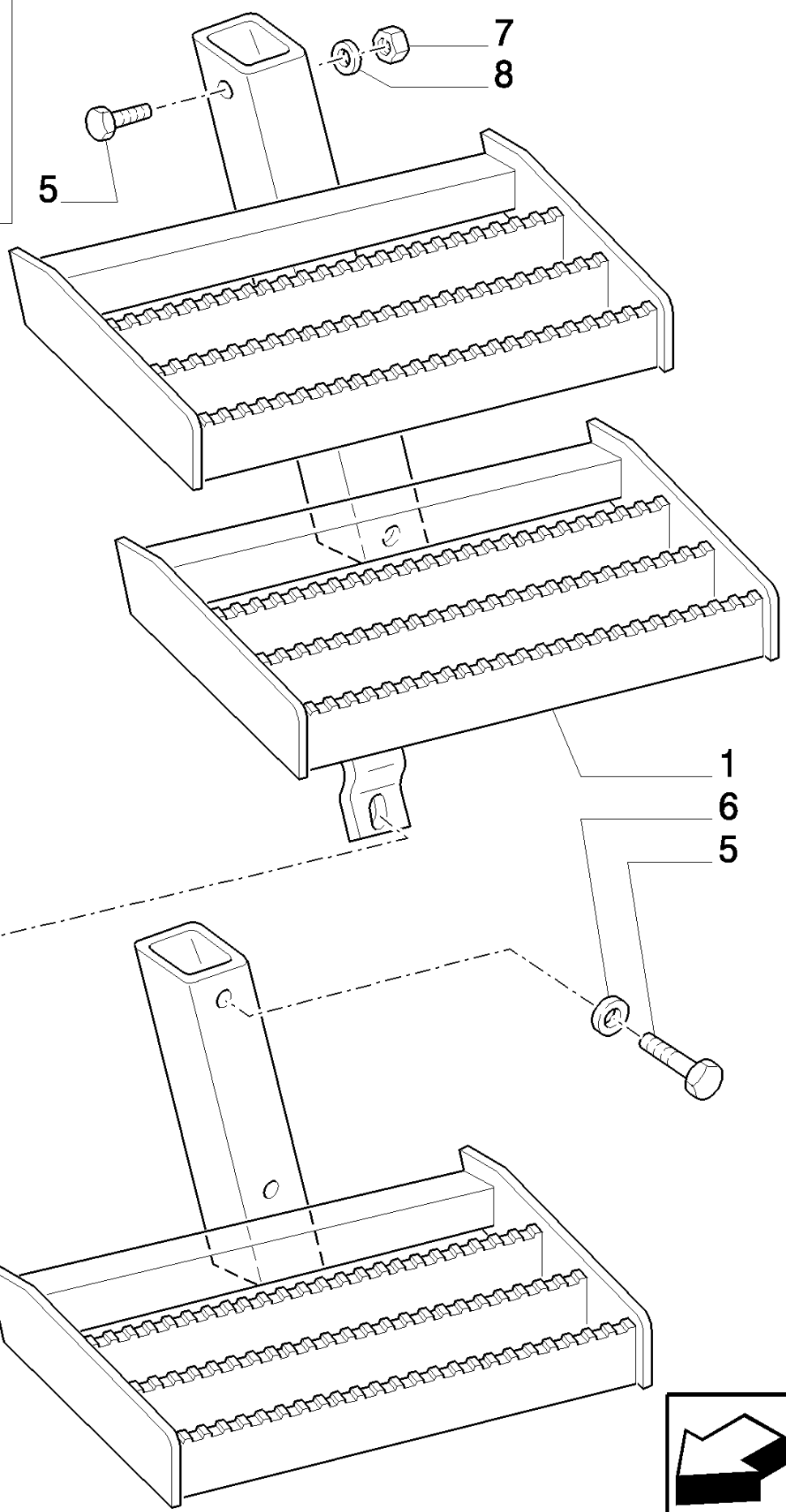
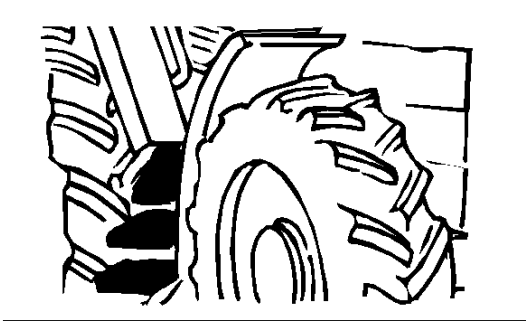


MXM155 CASE IH TRACTOR (6/02- )

1.90.1(02) SEC. 10 - DRIVER'S COMPARTMENT

сылка	Номер детали	Кол-во	Описание

1.90.2 FOOT STEP

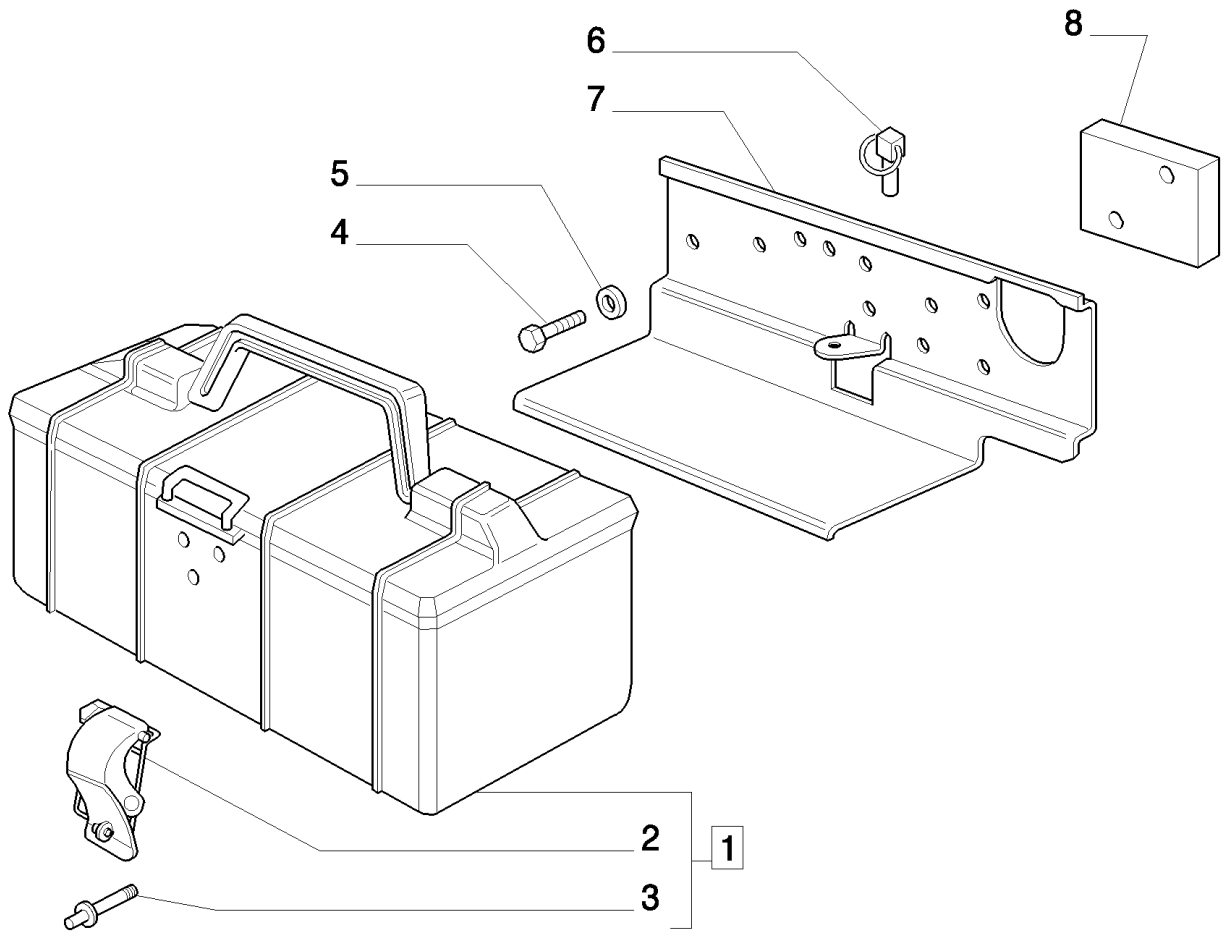
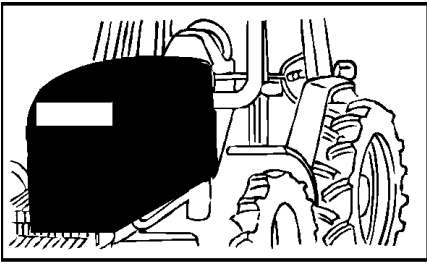


## MXM155 CASE IH TRACTOR (6/02- )

## 1.90.2 FOOT STEP

сылка	Номер детали	Кол-во	Описание
1	82009071	1	STEP, LH
1	82019808	1	STEP, RH
1	82020283	1	STEP, RH, Only for Cab w/Suspension (Equip. 635)
1	82018639	1	STEP, LH, Only for Cab w/Suspension (Equip. 635)
2	82007892	2	STEP,
2	82018638	1	STEP, , Only for Cab w/Suspension (Equip. 635)
3	82010490	2	SCREW, M12 x 1.75 x 40
4	86511324	2	WASHER, M12 x 24 x 2.5,
5	11113821	2	BOLT, Hex, M12 x 80, 8.8,
5	11113831	2	BOLT, Hex, M12 x 80, 10.9,
6	83995286	2	BUSHING, 12.5 x 35
7	80100038	2	NUT, LOCK, Prevailing Torque, CL 8, M12 x 1.75
8	14496721	2	WASHER, M12 x 24 x 2.5,

1.90.5 TOOL BOX

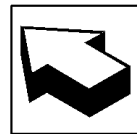
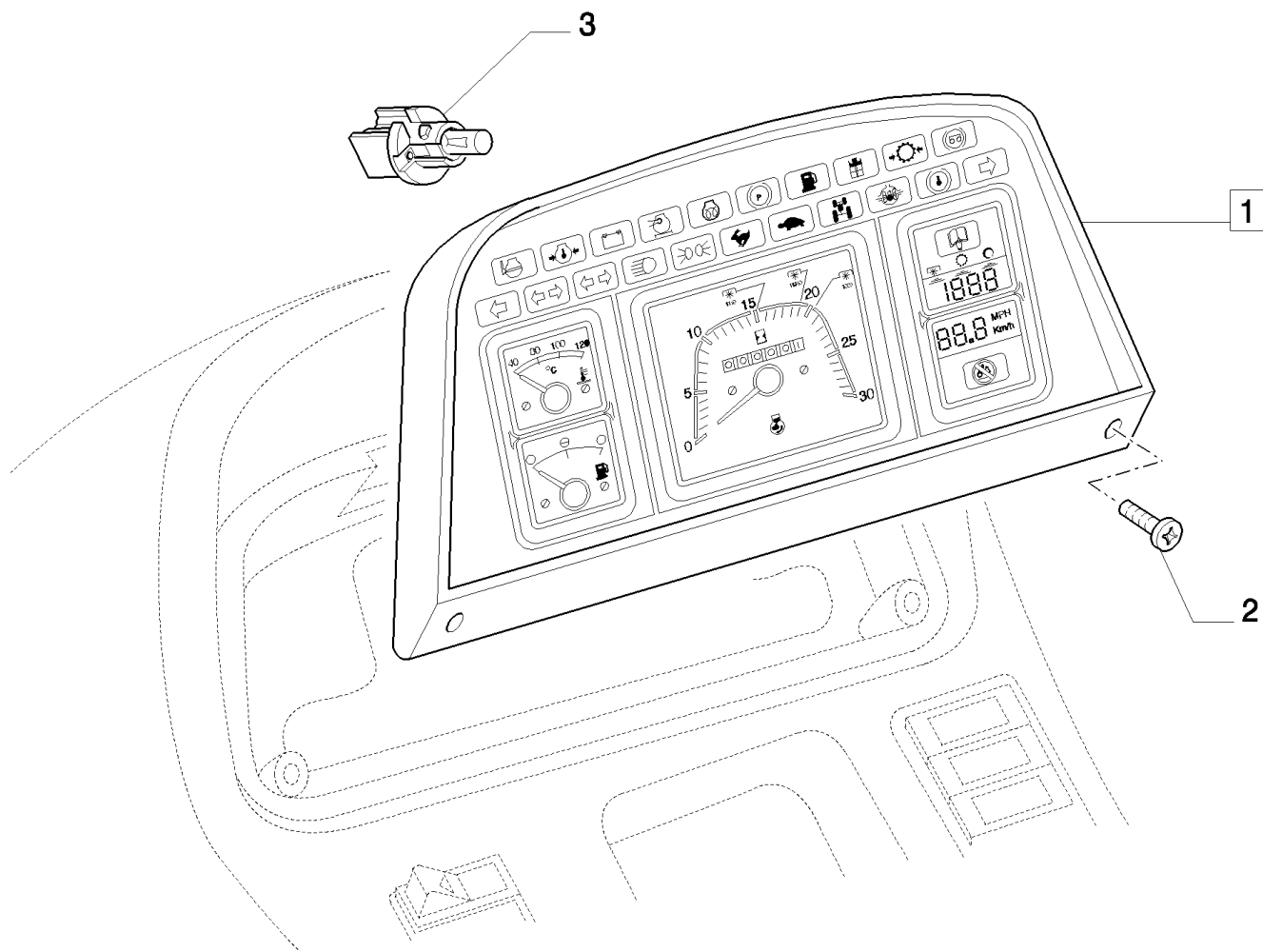
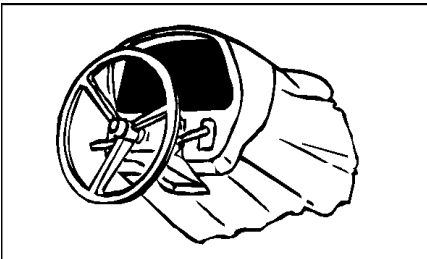


## MXM155 CASE IH TRACTOR (6/02- )

## 1.90.5 TOOL BOX

сылка	Номер детали	Кол-во	Описание
1	82030391	1	BOX, TOOL, , BSN 192648
1	5135060	1	BOX, TOOL, , ASN 192649
2	5135576	1	LATCH,
3	14641391	3	RIVET, Tr Hd, M3.2 x 8, Aluminum,
4	16043824	3	BOLT, Hex, M8 x 30, 8.8, Full Thd,
5	10516674	3	WASHER, LOCK, 5/16", (M8)
6	82013836	1	PIN, LOCK,
7	87352406	1	SUPPORT,
8	82014586	1	PLATE,

D4743 SERIAL N.192649

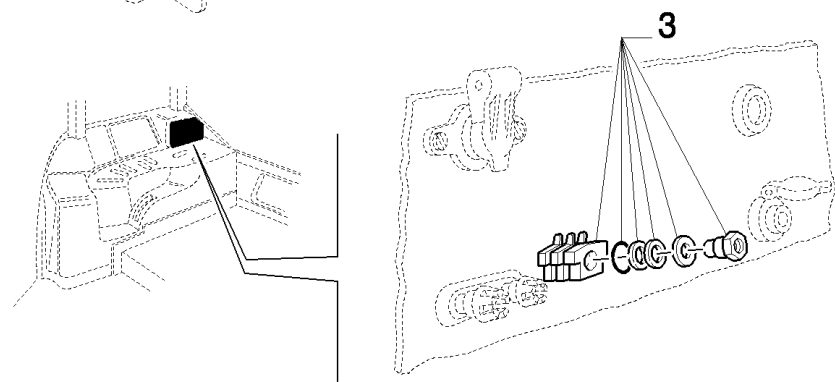
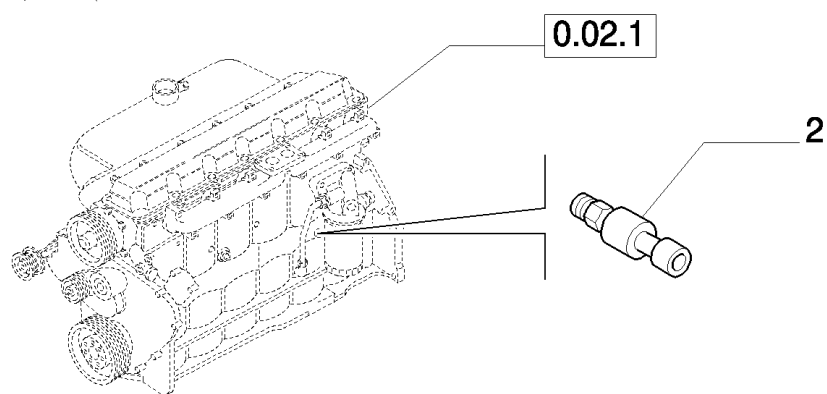
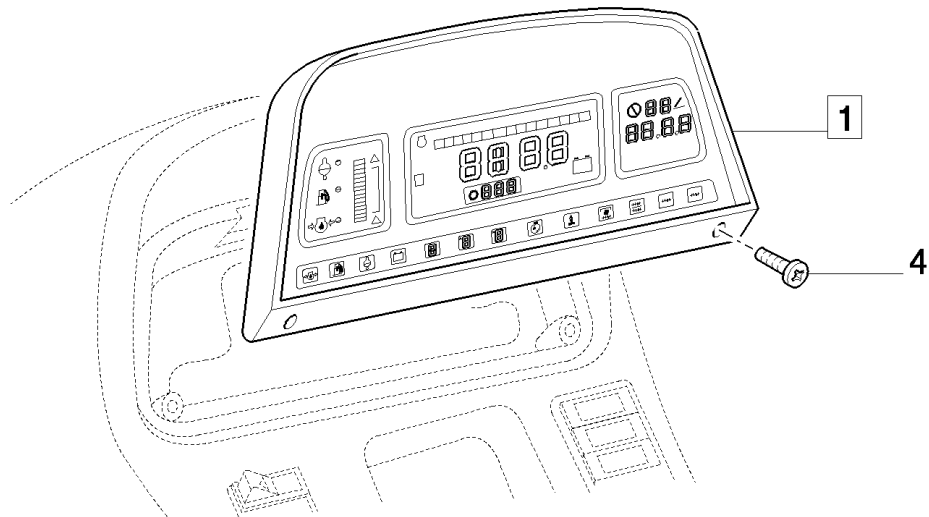
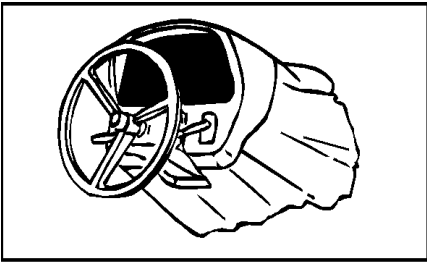


MXM155 CASE IH TRACTOR (6/02- )

1.91.0(01) INSTRUMENT CLUSTER- ANALOGUE/DIGITAL

сылка	Номер детали	Кол-во	Описание
1	82024007	1	INSTRUMENT CLUSTER, A.D.I.C.
2	13272424	AR	SCREW, Cross Pan Hd, M4 x 20, 8.8,
3	9966225	AR	KIT, 1.5W
3	9969223	AR	SOCKET, LAMP, 2W, W/Bulb



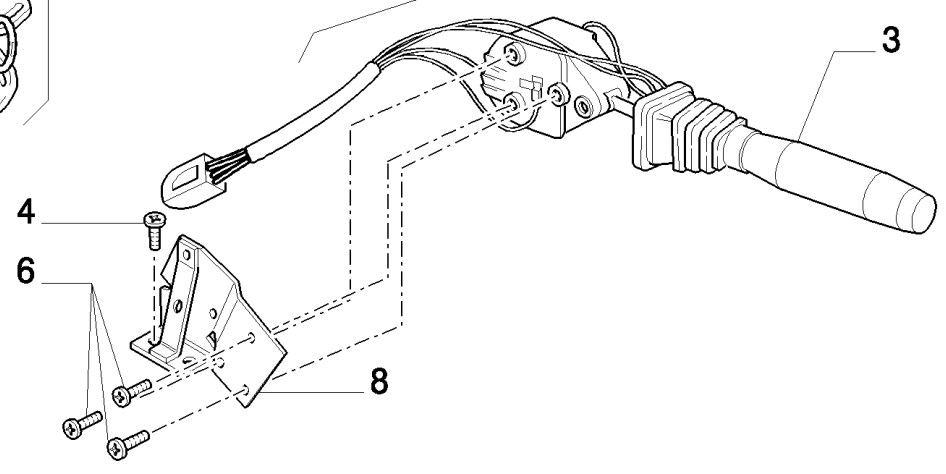
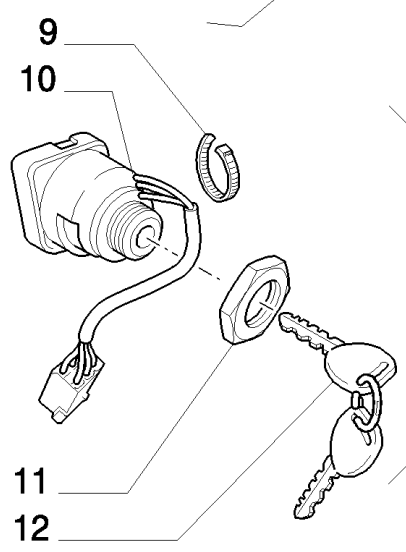
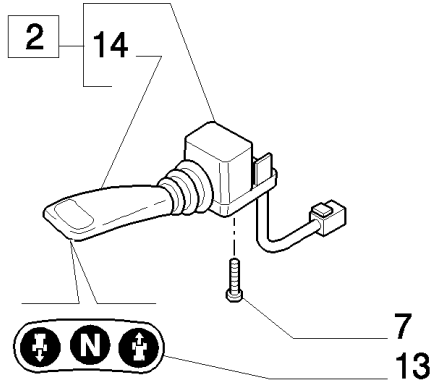
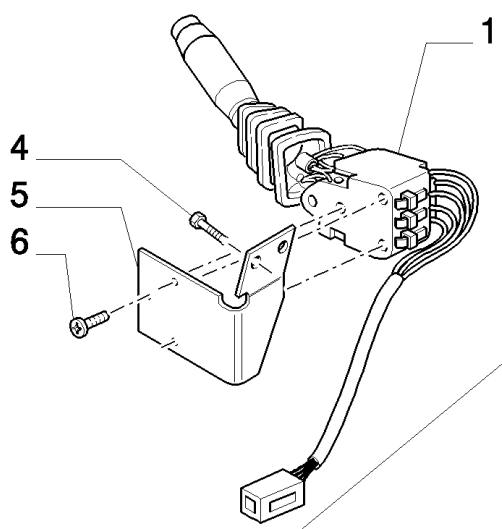
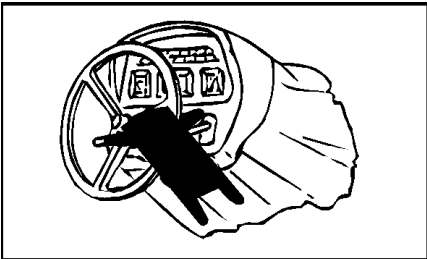


MXM155 CASE IH TRACTOR (6/02- )

1.91.0/01 (VAR.747) VERSION WITH DIGITAL INSTRUMENT (D.I.C.)

сылка	Номер детали	Кол-во	Описание
1	82036342	1	INSTRUMENT CLUSTER, Assy
2	87344173	1	SENDER UNIT, Engine Oil
3	82001273	1	CONNECTOR, ELEC,
4	13272424	2	SCREW, Cross Pan Hd, M4 x 20, 8.8,

1.91.1(01) CONTROL SWITCHES



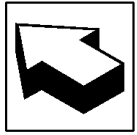
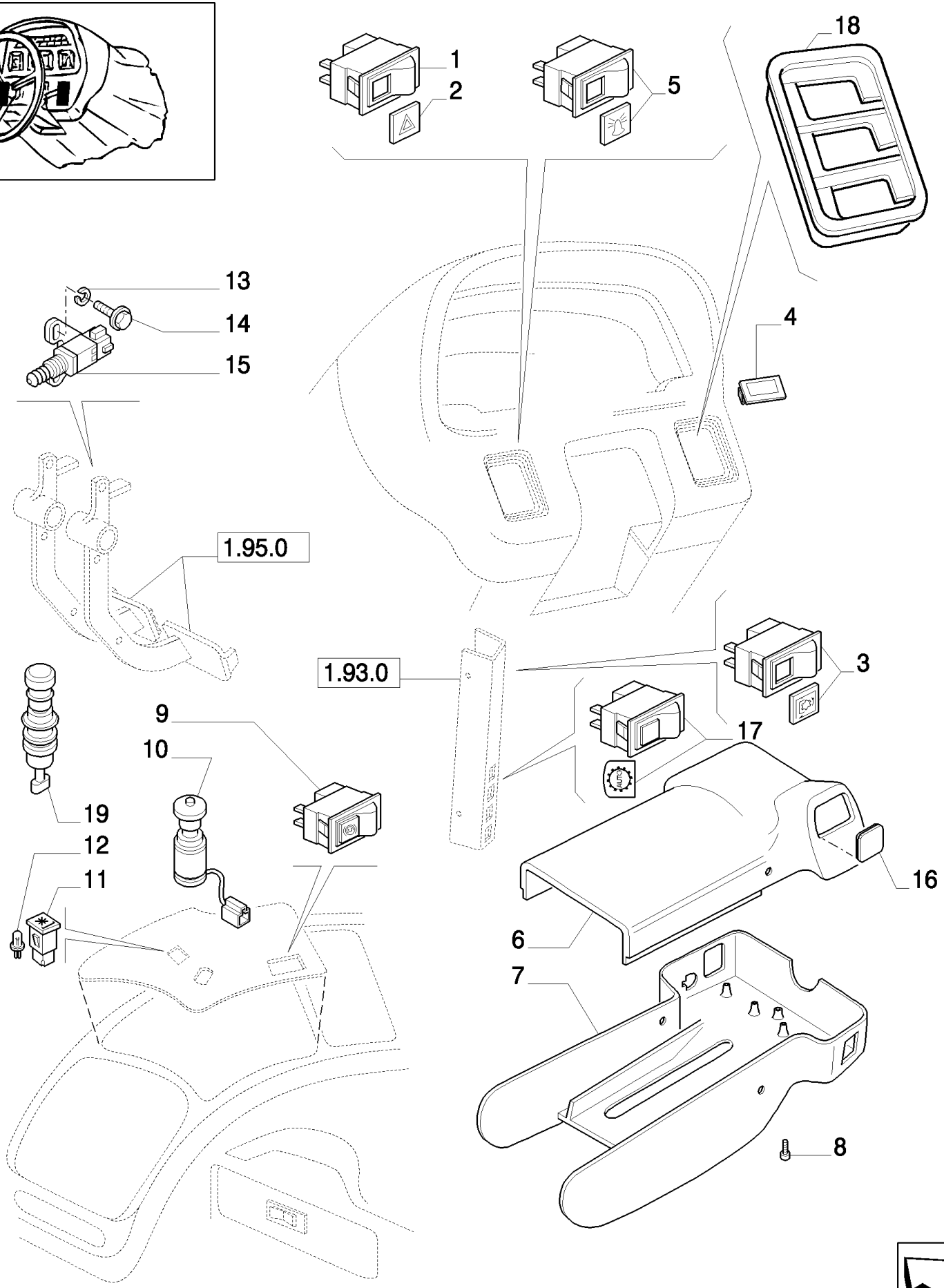
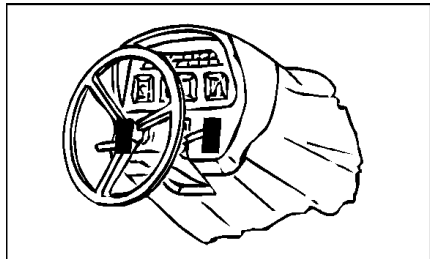
## MXM155 CASE IH TRACTOR (6/02- )

## 1.91.1(01) CONTROL SWITCHES

сылка	Номер детали	Кол-во	Описание
1	82011624	1	SWITCH, Windshield Wiper
2	82034515	1	SWITCH, Shuttle Lever, Incl. 14, BSN 223199
2	82035488	1	SWITCH, Shuttle Lever, ASN 223200
3	82015276	1	SWITCH, Headlights, Turn Signals
4	10979424	4	BOLT, Hex, M6 x 10, 8.8, Full Thd,
5	82005258	1	BRACKET, , BSN ACM254041
5	87313462	1	BRACKET, , ASN ACM254042
6	15902807	6	SCREW, SELF TAP, Cross Pan Hd, M3.5 x 22,
6	83912337	3	SCREW, SELF TAP, Pan Hd, #6 x M22
7	83963569	3	SCREW, Pan Hd, w/Washer, M4 x 12
8	82015434	1	BRACKET, , BSN 223199
8	82034513	1	BRACKET, , ASN 223200
9	529070	4	STRAP, CABLE, .30" x 14.5",
10	82025888	1	SWITCH, IGNITION, Ignition
11	81864297	1	NUT,
12	82030144	1	KEY, IGNITION,
13	87364176	1	DECAL, Forward/Reverse Shuttle
14	82026093	1	KNOB, , BSN 223199

D4853 Serial N.223200 D5054 Serial N.ACM254042

1.91.1(02) SWITCHES, INSTRUMENT PANEL

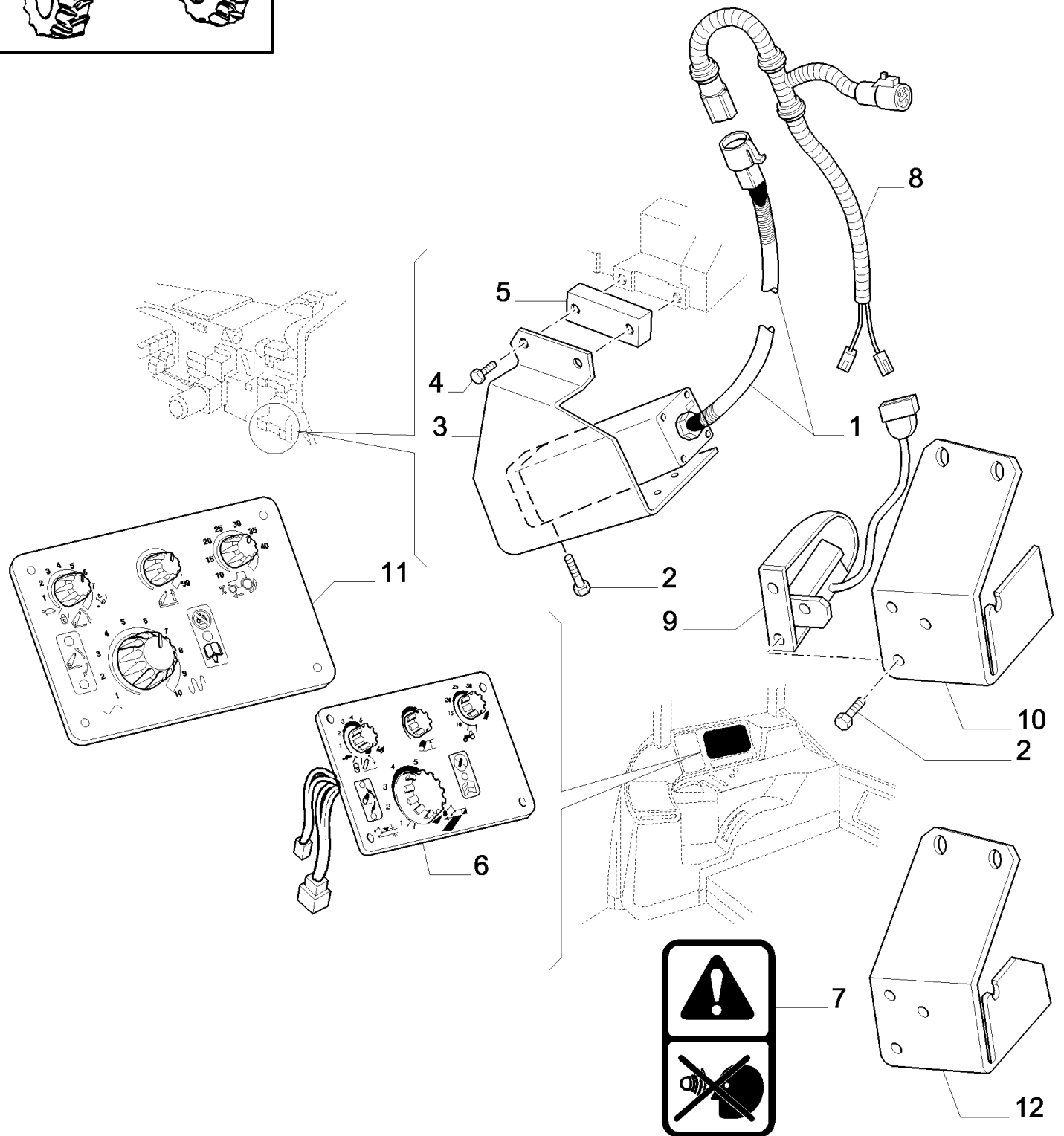
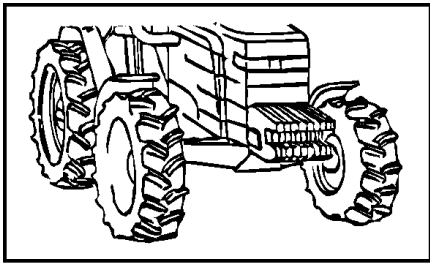


## MXM155 CASE IH TRACTOR (6/02- )

## 1.91.1(02) SWITCHES, INSTRUMENT PANEL

сылка	Номер детали	Кол-во	Описание
1	5150954	1	SWITCH, FLASHER,
2	5150933	1	INSERT, Emergency Lights
3	82018620	1	SWITCH, PTO Softstart
4	5151033	7	BLANK-OFF PLUG,
5	82007618	1	SWITCH, Beacon
6	82014494	1	COVER, Upper, BSN 223199
6	82034647	1	COVER, Upper, ASN 223200
7	82007773	1	COVER, Lower
8	86511830	6	SCREW, Cross Pan Hd, M6 x 20,
9	82007112	1	SWITCH, PTO Brake
10	82027012	1	SWITCH, Rear PTO, Brake, 4 Pin, BSN ACM265008
11	81869846	1	LAMP, PTO Speed Selector
12	14143990	1	BULB, 12V-3W
13	89824840	4	WASHER, M4
14	14303324	4	SCREW, Hex Soc Hd, M4 x 20, 8.8, Full Thd,
15	82026949	2	SWITCH, Brake
16	82004988	1	PLUG, MXM120, MXM130, MXM140, W/Mec. Trans. 20 x 16, BSN 223199
16	82035352	1	PLUG, , ASN 223200
17	82026205	1	SWITCH, Trans Auto Function, W/Full Power Shift trans. 18 x 6 (40 KPH-4WD) and 17 x 6 (30 KPH-2WD) Equip. 281
18	5151075	2	HOUSING,
19	87311254	1	SWITCH, Rear PTO, ASN ACM265009

D4853 Serial N.223200



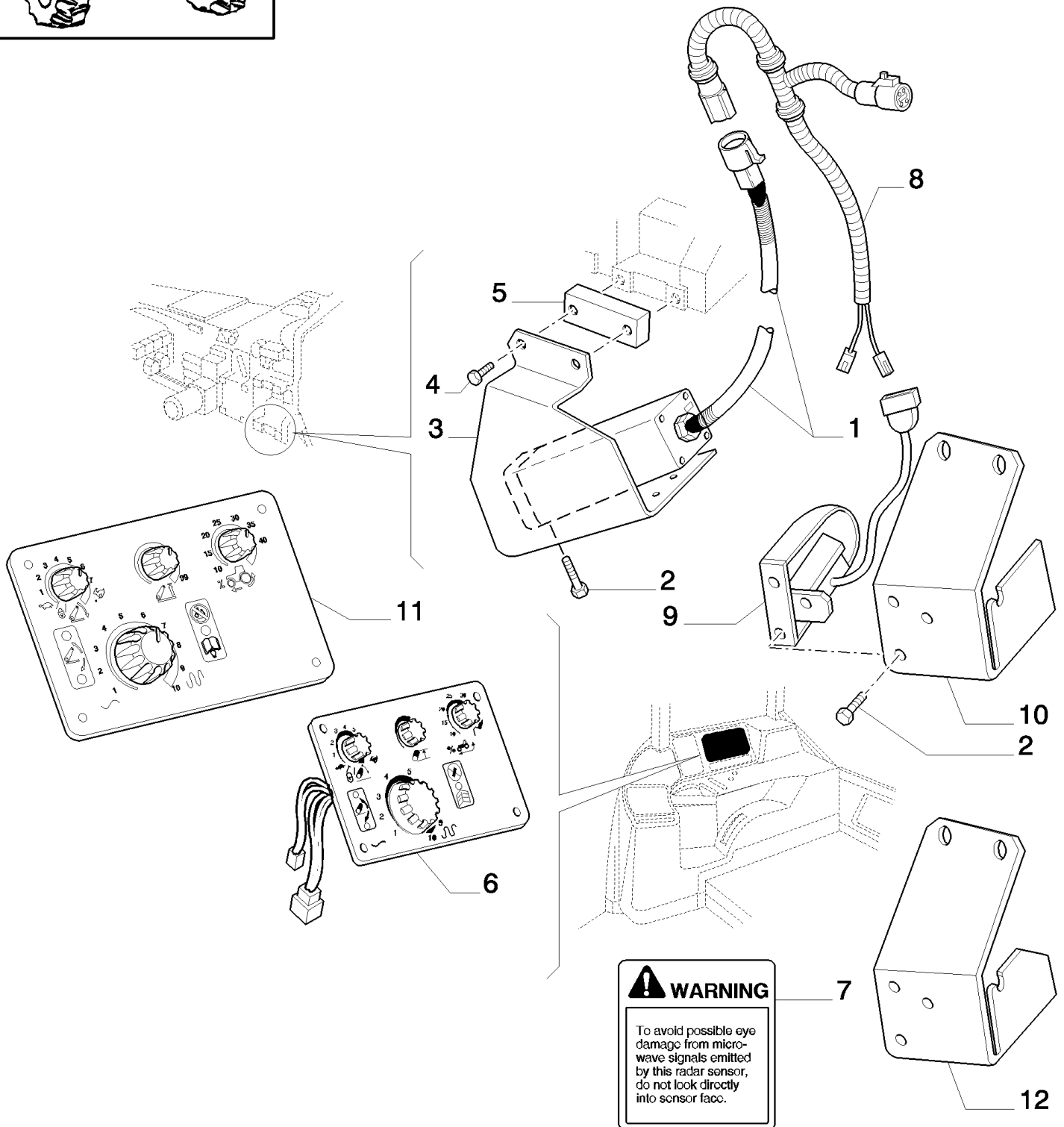
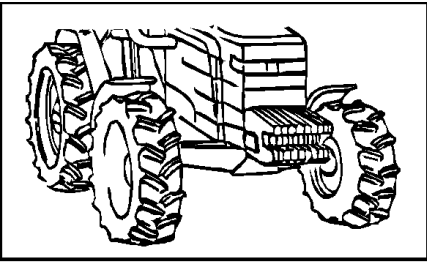
## MXM155 CASE IH TRACTOR (6/02- )

## 1.91.1/02 (VAR.743) RADAR UNIT - JAPAN

сылка	Номер детали	Кол-во	Описание
1	82021164	1	RADAR, , BSN ACM272692
2	81821499	4	SCREW, Cap, HH, G5, 1/4"-20 x 1/2"
3	82017858	1	BRACKET, MXM120, MXM130, MXM140, MXM155, BSN ACM272692
3	82012458	1	BRACKET, MXM175, MXM190, BSN ACM272692
4	11124921	2	BOLT, Hex, M20 x 60, 8.8,
5	82017860	1	SPACER,
6	82026307	1	PANEL, EDC w/Slip L/Elec Lk Level, -C5321
7	82002071	1	DECAL, WARNING, Radar
7	82025618	1	DECAL, Radar, French, D5415-
7	82025619	1	DECAL, Radar, Spanish, D5415-
8	86513451	1	HARNESS, WIRE, Radar Adapter (Equip.464)
9	87367899	1	RADAR, , ASN ACM272693
10	87367903	1	BRACKET, MXM120, MXM130, MXM140, MXM155, ACM272693-C5496
10	87367905	1	BRACKET, MXM175-MXM190, ACM272693-C5415
10	87565942	1	BRACKET, MXM175-MXM190, D5415-
11	87397179	1	PANEL, EDC w/Slip/Diverter Valve, D5321-C5425
11	87530853	1	PANEL, EDC w/Slip L/Diverter Valve, D5425-
12	87565940	1	BRACKET, MXM120, MXM130, MXM140, MXM155, D5496-

D5306 Serial N.ACM272693 D5321 After Date 17 January 2006 D5425 After Date 11 May 2006 D5415 After Date 20 July 2006 D5496 After Date 15 August 2006





**WARNING**

To avoid possible eye damage from microwave signals emitted by this radar sensor, do not look directly into sensor face.

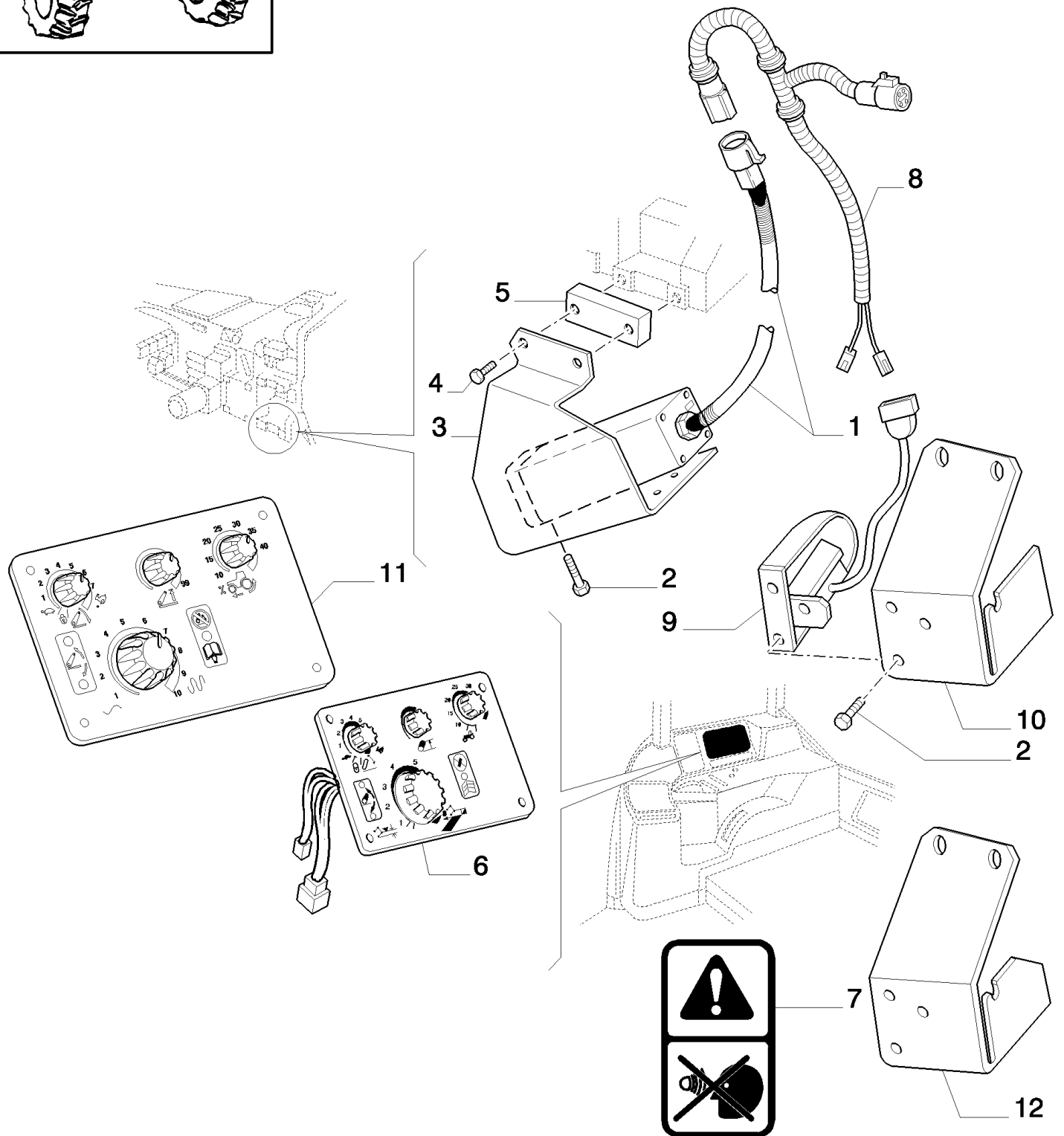
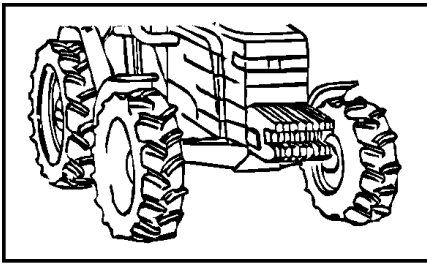


## MXM155 CASE IH TRACTOR (6/02- )

## 1.91.1/03 (VAR.743/1) RADAR UNIT - NA

сылка	Номер детали	Кол-во	Описание
1	82021163	1	RADAR, , BSN ACM272692
2	81821499	4	SCREW, Cap, HH, G5, 1/4"-20 x 1/2"
3	82017858	1	BRACKET, MXM120-MXM130-MXM140-MXM155, BSN ACM272692
3	82012458	1	BRACKET, MXM175-MXM190, BSN ACM272692
4	11124921	2	BOLT, Hex, M20 x 60, 8.8,
5	82017860	1	SPACER,
6	82026307	1	PANEL, EDC w/Slip L/Elec Lk Level, -C5321
7	82029314	1	DECAL, WARNING, Radar
7	82025618	1	DECAL, Radar, French, D5415-
7	82025619	1	DECAL, Radar, Spanish, D5415-
8	86513451	1	HARNESS, WIRE, Radar Adapter (Equip.464)
9	87367901	1	RADAR, , ASN ACM272693
10	87367903	1	BRACKET, MXM120-MXM130-MXM140-MXM155, ACM272693-C5496
10	87367905	1	BRACKET, MXM175-MXM190, ACM272693-C5415
10	87565942	1	BRACKET, MXM175-MXM190, D5415-
11	87397179	1	PANEL, EDC w/Slip/Diverter Valve, D5321-C5425
11	87530853	1	PANEL, EDC w/Slip L/Diverter Valve, D5425-
12	87565940	1	BRACKET, MXM120-MXM130-MXM140-MXM155, D5496-

D5306 Serial N.ACM272693 D5321 After Date 17 January 2006 D5425 After Date 11 May 2006 D5415 After Date 20 July 2006 D5496 After Date 15 August 2006

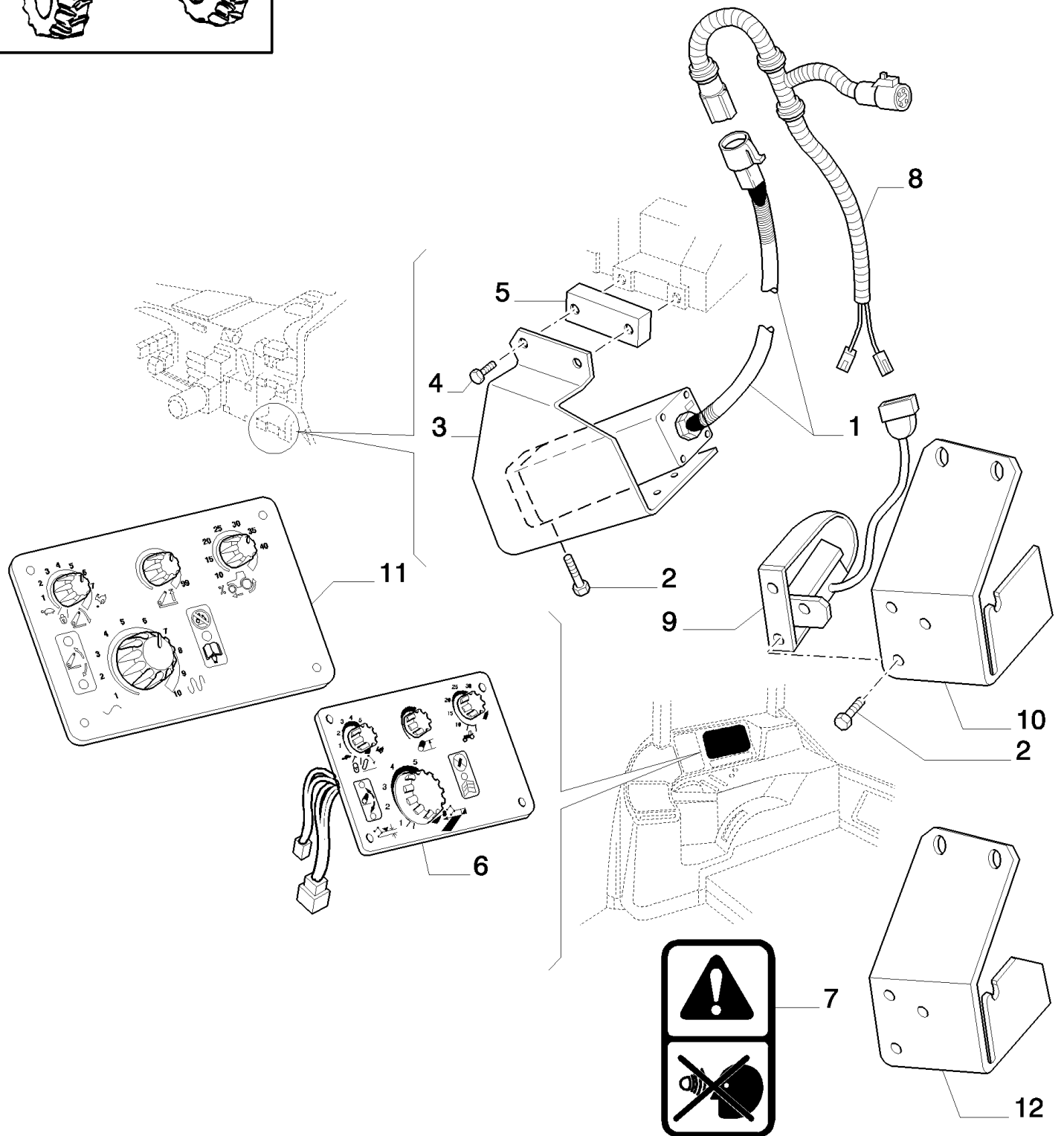
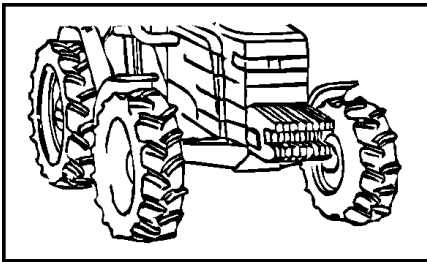


## MXM155 CASE IH TRACTOR (6/02- )

## 1.91.1/04 (VAR.749) RADAR UNIT - UK

сылка	Номер детали	Кол-во	Описание
1	82021162	1	RADAR, , BSN ACM272692
2	81821499	4	SCREW, Cap, HH, G5, 1/4"-20 x 1/2"
3	82017858	1	BRACKET, MXM120-MXM130-MXM140-MXM155, BSN ACM272692
3	82012458	1	BRACKET, MXM175-MXM190, BSN ACM272692
4	11124921	2	BOLT, Hex, M20 x 60, 8.8,
5	82017860	1	SPACER,
6	82026307	1	PANEL, EDC w/Slip L/Elec Lk Level, -C5321
7	82002071	1	DECAL, WARNING, Radar
8	86513451	1	HARNES, WIRE, Radar Adapter (Equip.464)
9	87367898	1	RADAR, , ASN ACM272693
10	87367903	1	BRACKET, MXM120-MXM130-MXM140-MXM155, ACM272693-C5496
10	87367905	1	BRACKET, MXM175-MXM190, ACM272693-C5415
10	87565942	1	BRACKET, MXM175-MXM190, D5415-
11	87397179	1	PANEL, EDC w/Slip/Diverter Valve, D5321-C5425
11	87530853	1	PANEL, EDC w/Slip L/Diverter Valve, D5425-
12	87565940	1	BRACKET, MXM120-MXM130-MXM140-MXM155, D5496-

D5306 Serial N.ACM272693 D5321 After Date 17 January 2006 D5425 After Date 11 May 2006 D5415 After Date 20 July 2006 D5496 After Date 15 August 2006

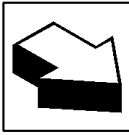
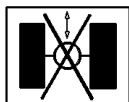
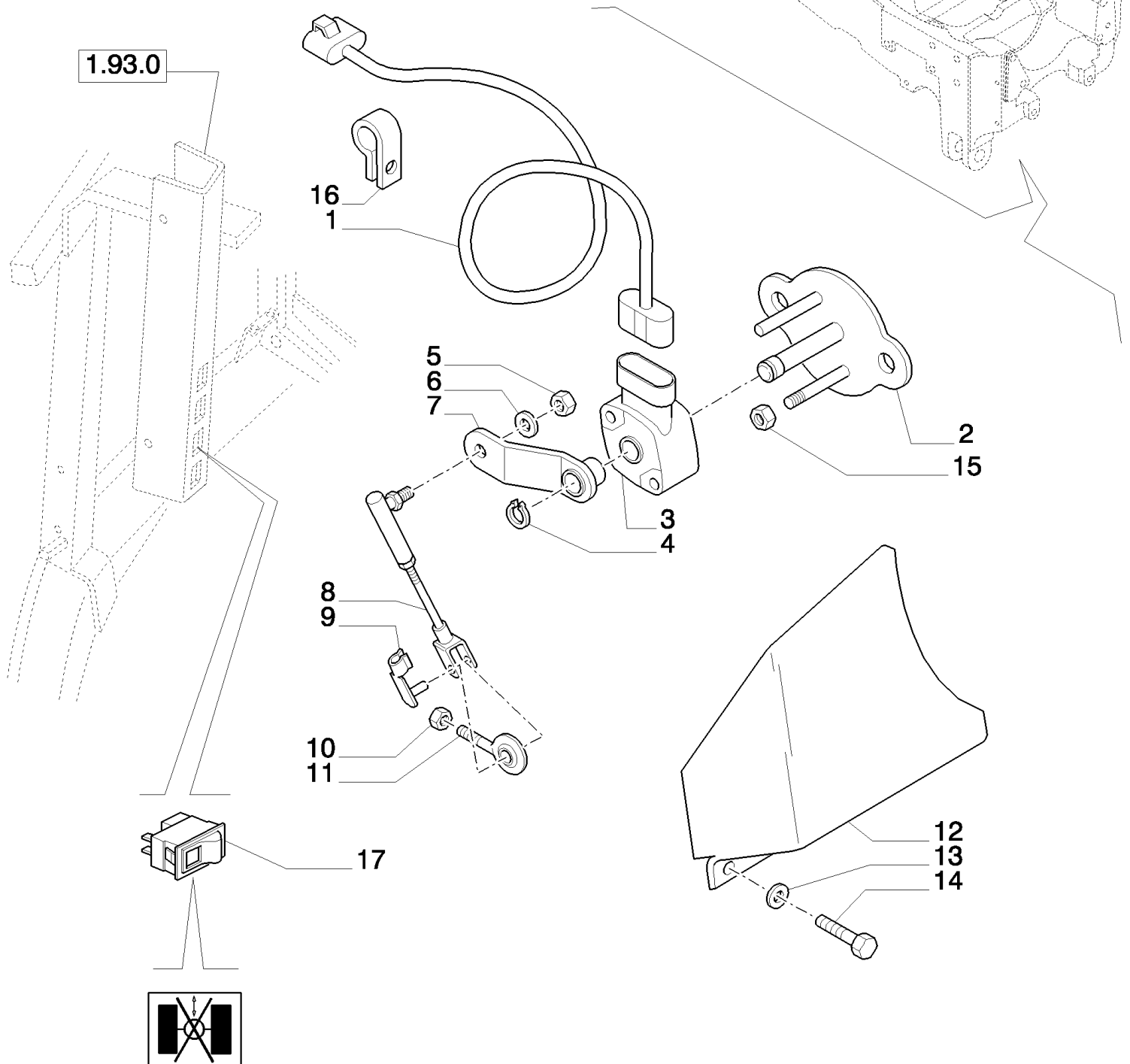
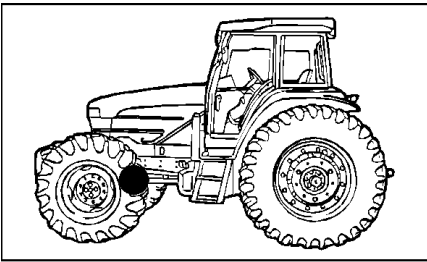


## MXM155 CASE IH TRACTOR (6/02- )

1.91.1/05 (VAR.753) RADAR FOR ALL COUNTRIES EXCEPT UK/NA/JAPAN

сылка	Номер детали	Кол-во	Описание
1	82021163	1	RADAR, , BSN ACM272692
2	81821499	4	SCREW, Cap, HH, G5, 1/4"-20 x 1/2"
3	82017858	1	BRACKET, MXM120-MXM130-MXM140-MXM155, BSN ACM272692
3	82012458	1	BRACKET, MXM175-MXM190, BSN ACM272692
4	11124921	2	BOLT, Hex, M20 x 60, 8.8,
5	82017860	1	SPACER,
6	82026307	1	PANEL, EDC w/Slip L/Elec Lk Level, -C5321
7	82002071	1	DECAL, WARNING, Radar
7	82025618	1	DECAL, Radar, French, D5415-
7	82025619	1	DECAL, Radar, Spanish, D5415-
8	86513451	1	HARNESS, WIRE, Radar Adapter (Equip.464)
9	87367901	1	RADAR, , ASN ACM272693
10	87367903	1	BRACKET, MXM120-MXM130-MXM140-MXM155, ACM272693-C5496
10	87367905	1	BRACKET, MXM175-MXM190, ACM272693-C5415
10	87565942	1	BRACKET, MXM175-MXM190, D5415-
11	87397179	1	PANEL, EDC w/Slip/Diverter Valve, D5321-C5425
11	87530853	1	PANEL, EDC w/Slip L/Diverter Valve, D5425-
12	87565940	1	BRACKET, MXM120-MXM130-MXM140-MXM155, D5496-

D5306 Serial N.ACM272693 D5321 After Date 17 January 2006 D5425 After Date 11 May 2006 D5415 After Date 20 July 2006 D5496 After Date 15 August 2006

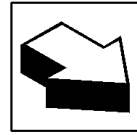
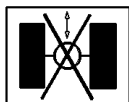
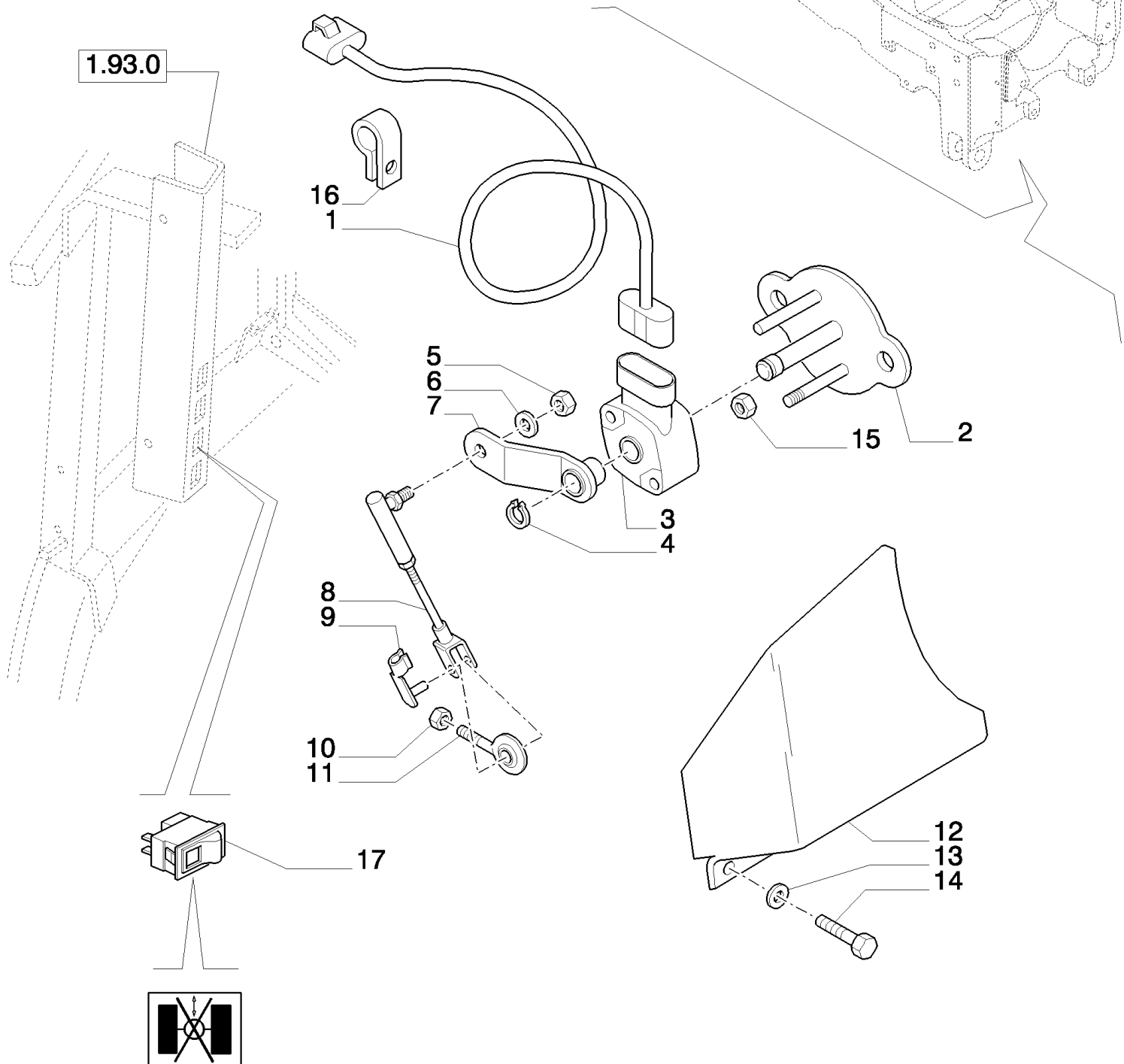
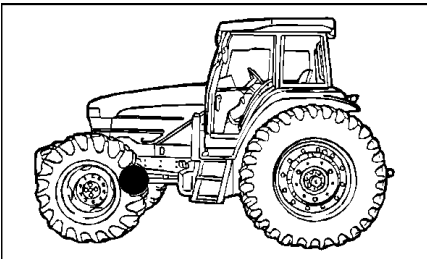


## MXM155 CASE IH TRACTOR (6/02- )

## 1.91.1/06 (VAR.420) 4WD FRONT AXLE WITH SUSPENSIONS AND TERRALOCK - SEMI POWER SHIFT - SWITCH

сылка	Номер детали	Кол-во	Описание
1	82022099	1	HARNESS, WIRE,
2	87584115	1	BRACKET,
3	87543715	1	POTENTIOMETER, Rotary Position Sensor
4	11087871	1	CIRCLIP, M7,
5	12574211	1	NUT, LOCK, M6 x 1, CI 8,
6	89824259	1	WASHER, M6
7	82016939	1	ARM,
8	82016945	1	LINK,
9	82016944	1	PIN,
10	82879533	1	NUT, M6
11	82016943	1	BALL JOINT,
12	82022043	1	GUARD,
13	10615474	6	WASHER, LOCK, Ext Tooth, M6,
14	10902124	6	BOLT, Hex, M6 x 14, 8.8, Full Thd,
15	12574111	1	NUT, LOCK, M5 x .8, CI 8,
16	10441490	2	CLAMP,
17	82020403	1	SWITCH, Suspension Lock

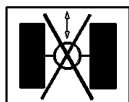
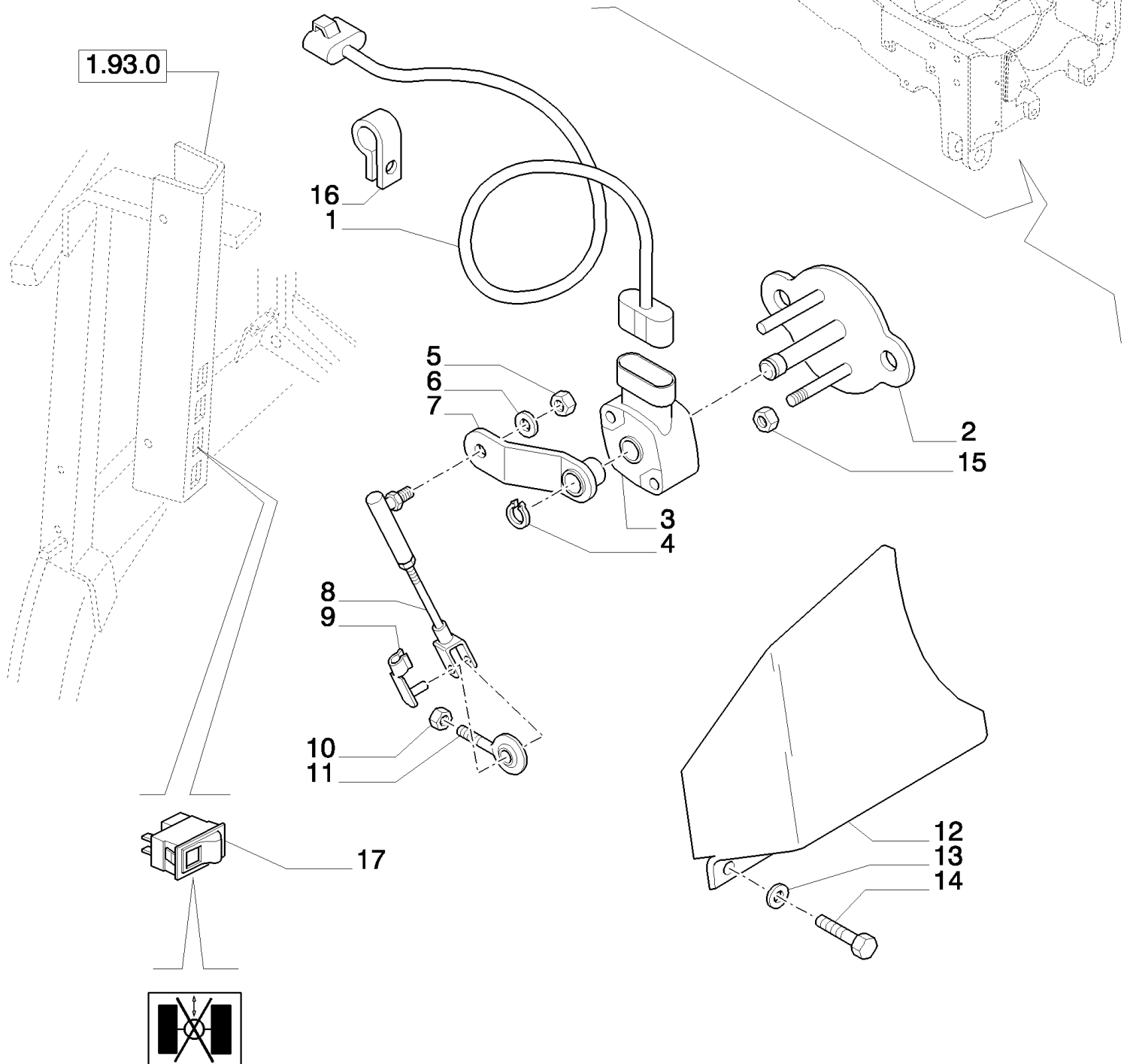
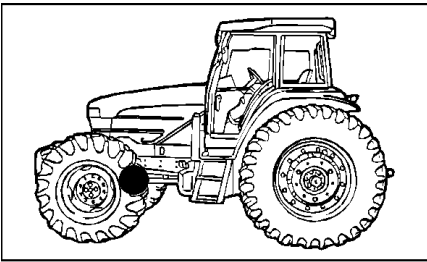




## MXM155 CASE IH TRACTOR (6/02- )

1.91.1/07 (VAR.452/1) 4WD FRONT AXLE WITH SUSPENSIONS, BRAKE, TERRALOCK, SPS - SWITCH

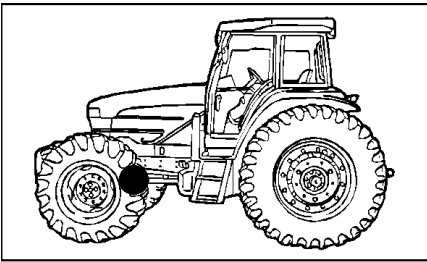
сылка	Номер детали	Кол-во	Описание
1	82022099	1	HARNESS, WIRE,
2	87584115	1	BRACKET,
3	87543715	1	POTENTIOMETER, Rotary Position Sensor
4	11087871	1	CIRCLIP, M7,
5	12574211	1	NUT, LOCK, M6 x 1, CI 8,
6	89824259	1	WASHER, M6
7	82016939	1	ARM,
8	82016945	1	LINK,
9	82016944	1	PIN,
10	82879533	1	NUT, M6
11	82016943	1	BALL JOINT,
12	82022043	1	GUARD,
13	10615474	6	WASHER, LOCK, Ext Tooth, M6,
14	10902124	6	BOLT, Hex, M6 x 14, 8.8, Full Thd,
15	12574111	1	NUT, LOCK, M5 x .8, CI 8,
16	10441490	2	CLAMP,
17	82020403	1	SWITCH, Suspension Lock



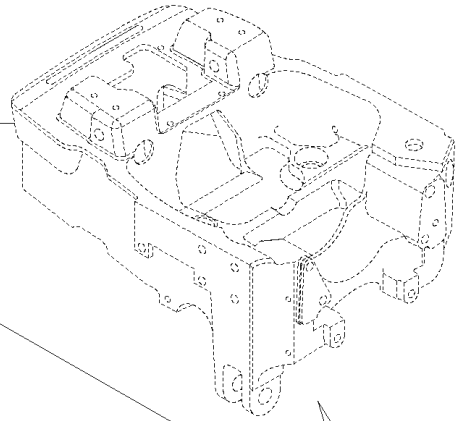
## MXM155 CASE IH TRACTOR (6/02- )

## 1.91.1/08 (VAR.463) 4WD FRONT AXLE WITH SUSPENSIONS, FULL POWER SHIFT - SWITCH

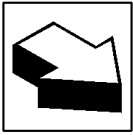
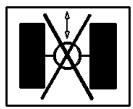
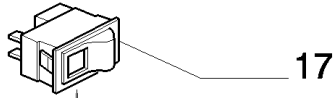
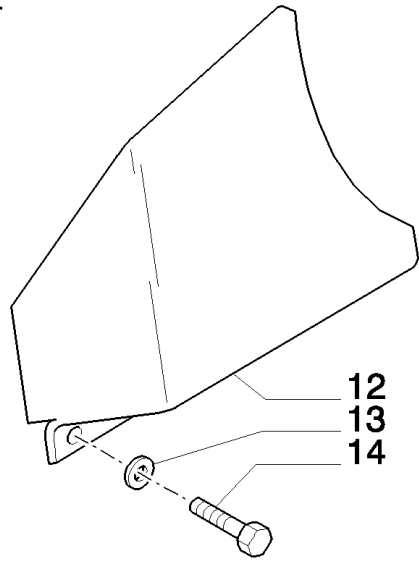
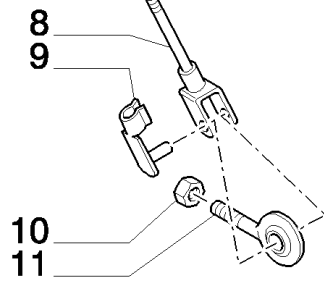
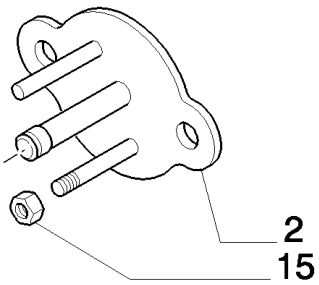
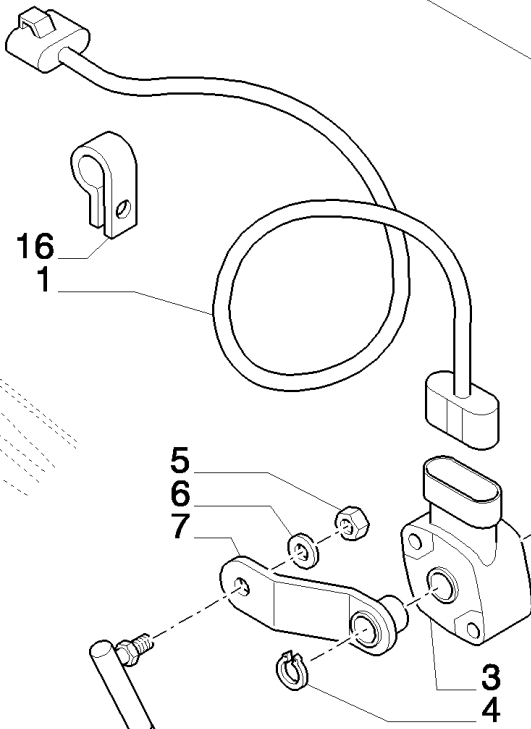
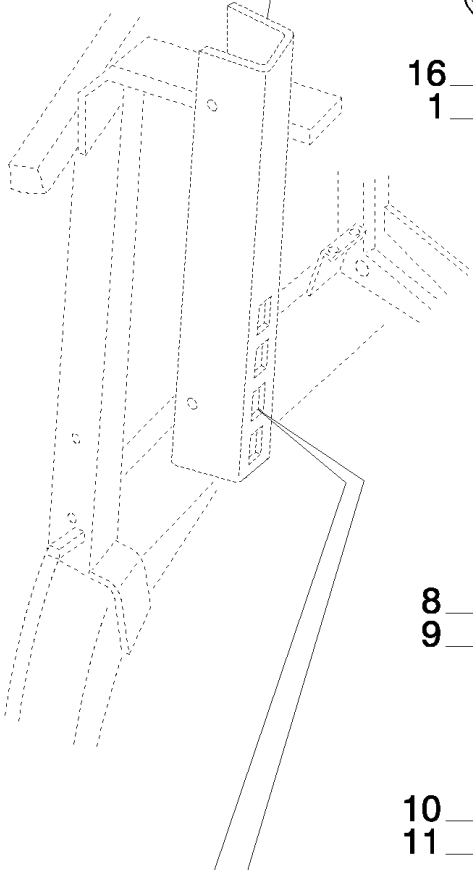
сылка	Номер детали	Кол-во	Описание
1	82022099	1	HARNESS, WIRE,
2	87584115	1	BRACKET,
3	87543715	1	POTENTIOMETER, Rotary Position Sensor
4	11087871	1	CIRCLIP, M7,
5	12574211	1	NUT, LOCK, M6 x 1, CI 8,
6	89824259	1	WASHER, M6
7	82016939	1	ARM,
8	82016945	1	LINK,
9	82016944	1	PIN,
10	82879533	1	NUT, M6
11	82016943	1	BALL JOINT,
12	82022043	1	GUARD,
13	10615474	6	WASHER, LOCK, Ext Tooth, M6,
14	10902124	6	BOLT, Hex, M6 x 14, 8.8, Full Thd,
15	12574111	1	NUT, LOCK, M5 x .8, CI 8,
16	10441490	2	CLAMP,
17	82020403	1	SWITCH, Suspension Lock



1.21.3/3



1.93.0

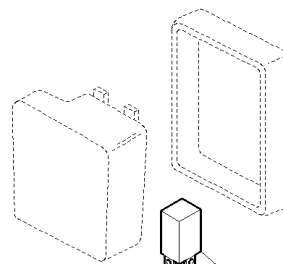
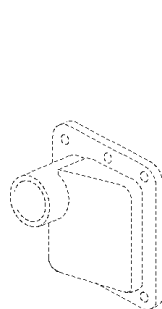
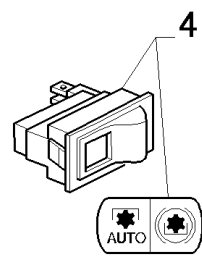
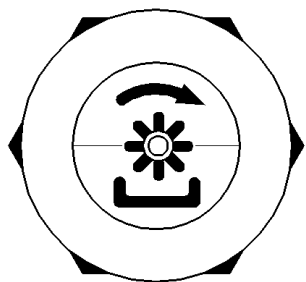
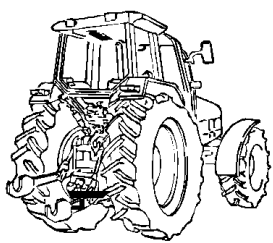


## MXM155 CASE IH TRACTOR (6/02- )

1.91.1/09 (VAR.463/1) 4WD FRONT AXLE WITH SUSPENSIONS, BRAKE, TERRALOCK, FPS - SWITCH

сылка	Номер детали	Кол-во	Описание
1	82022099	1	HARNESS, WIRE,
2	87584115	1	BRACKET,
3	87543715	1	POTENTIOMETER, Rotary Position Sensor
4	11087871	1	CIRCLIP, M7,
5	12574211	1	NUT, LOCK, M6 x 1, CI 8,
6	89824259	1	WASHER, M6
7	82016939	1	ARM,
8	82016945	1	LINK,
9	82016944	1	PIN,
10	82879533	1	NUT, M6
11	82016943	1	BALL JOINT,
12	82022043	1	GUARD,
13	10615474	6	WASHER, LOCK, Ext Tooth, M6,
14	10902124	6	BOLT, Hex, M6 x 14, 8.8, Full Thd,
15	12574111	1	NUT, LOCK, M5 x .8, CI 8,
16	10441490	2	CLAMP,
17	82020403	1	SWITCH, Suspension Lock

1.91.1/10 (VAR.838) OUTER PTO CONTROL MOUNTED ON MUDGUARDS



2



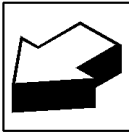
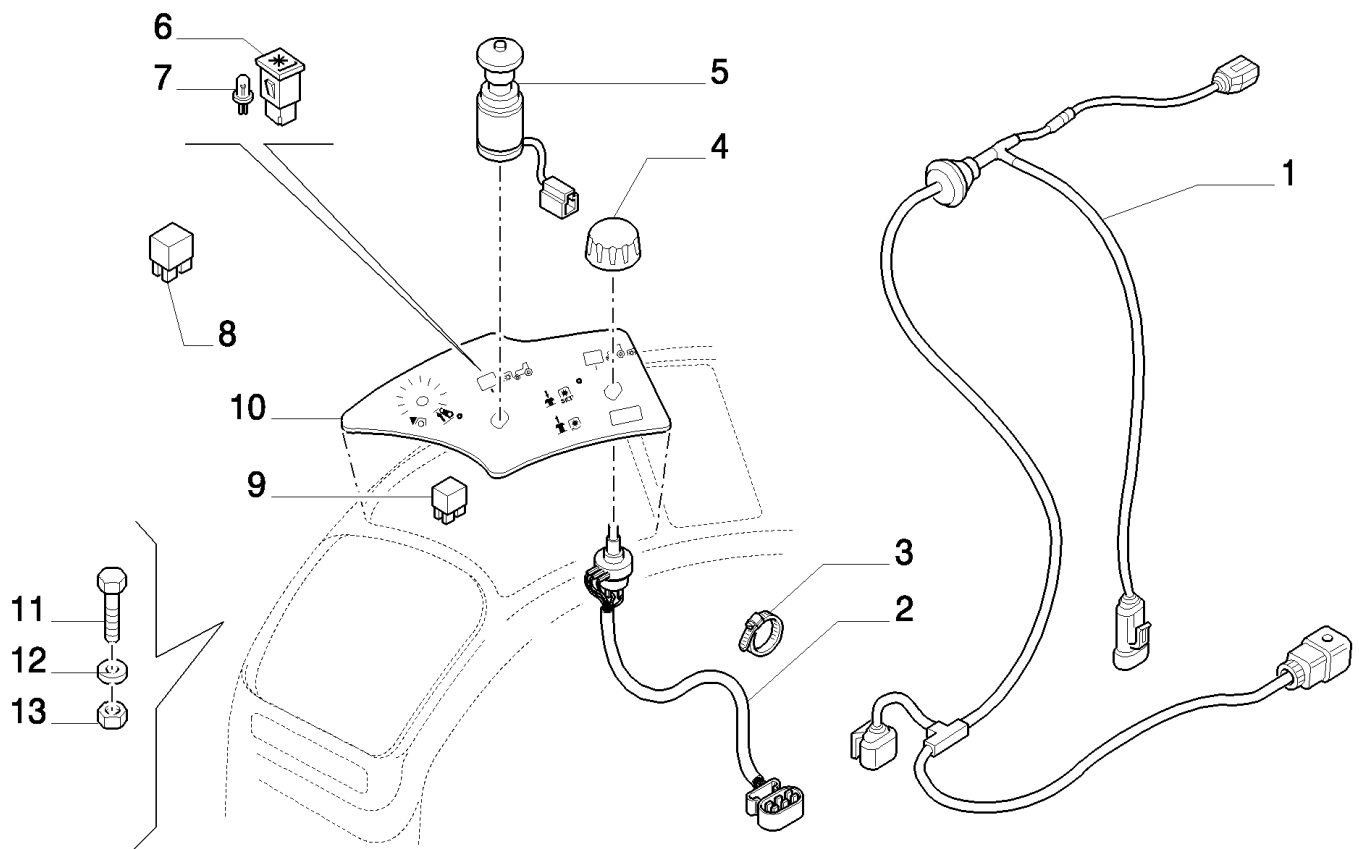
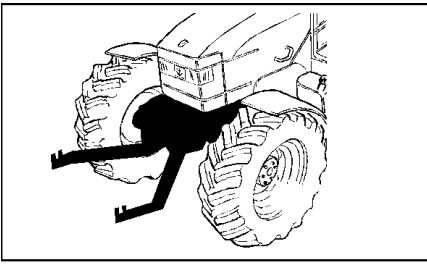
MXM155 CASE IH TRACTOR (6/02- )

1.91.1/10 (VAR.838) OUTER PTO CONTROL MOUNTED ON MUDGUARDS

сылка	Номер детали	Кол-во	Описание
1	82016444	2	SWITCH, External PTO, MXM120, MXM130, MXM140, MXM155
1	82025543	2	SWITCH, External PTO, MXM175, MXM190
2	82003697	1	RELAY,
3	82013932	2	PANEL, MXM175, MXM190
4	82036041	1	SWITCH, Auto PTO, ASN 238973

D4869 Serial N.238973



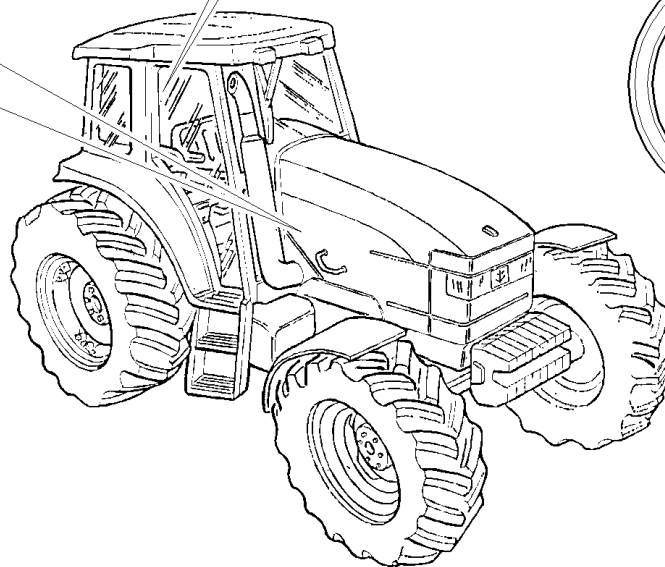
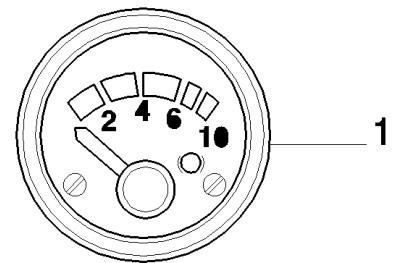
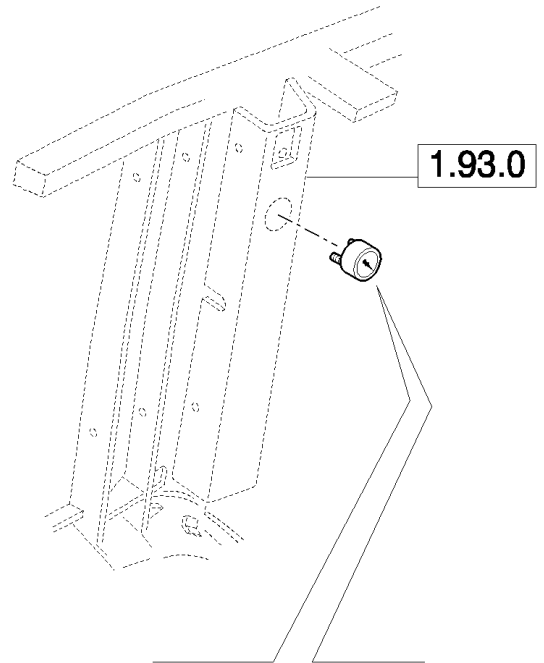
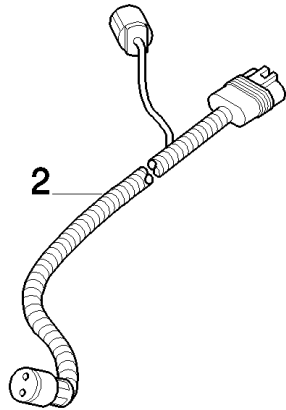
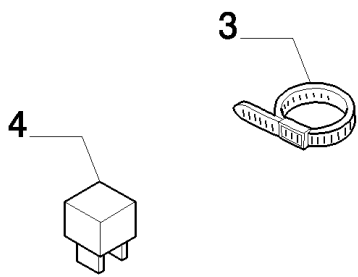
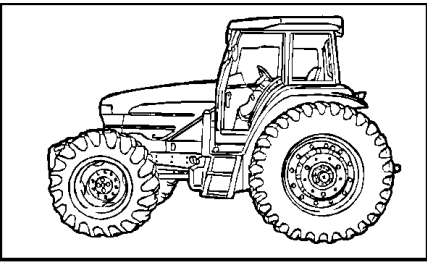


MXM155 CASE IH TRACTOR (6/02- )

1.91.1/11 (VAR.780-781) LIFT AND FRONT PTO (WITH 6 - 21 SPLINES) CCLS - SWITCH AND WIRES

сылка	Номер детали	Кол-во	Описание
1	82018522	1	HARNESS, WIRE, HPL & Front PTO
2	82006115	1	POTENTIOMETER,
3	263117	7	STRAP, CABLE, .14" x 11 1/2",
4	82018916	1	KNOB,
5	82024183	1	SWITCH, Front Control PTO, 6 Pin
6	81869846	1	LAMP,
7	14143990	1	BULB, 12V-3W
8	82011707	1	MODULE, PTO Control
9	82006159	1	SWITCH, REMOTE CONTROL, Front Hitch Control
10	82031692	1	DECAL, , BSN ACM265008
10	87363487	1	DECAL, , ASN ACM265009
11	13274877	2	SCREW, Cross Pan Hd, M5 x 30,
12	14496301	2	WASHER, M5 x 10
13	12574111	2	NUT, LOCK, M5 x .8, CI 8,

D5281 Serial N.ACM265009

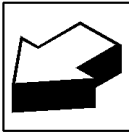
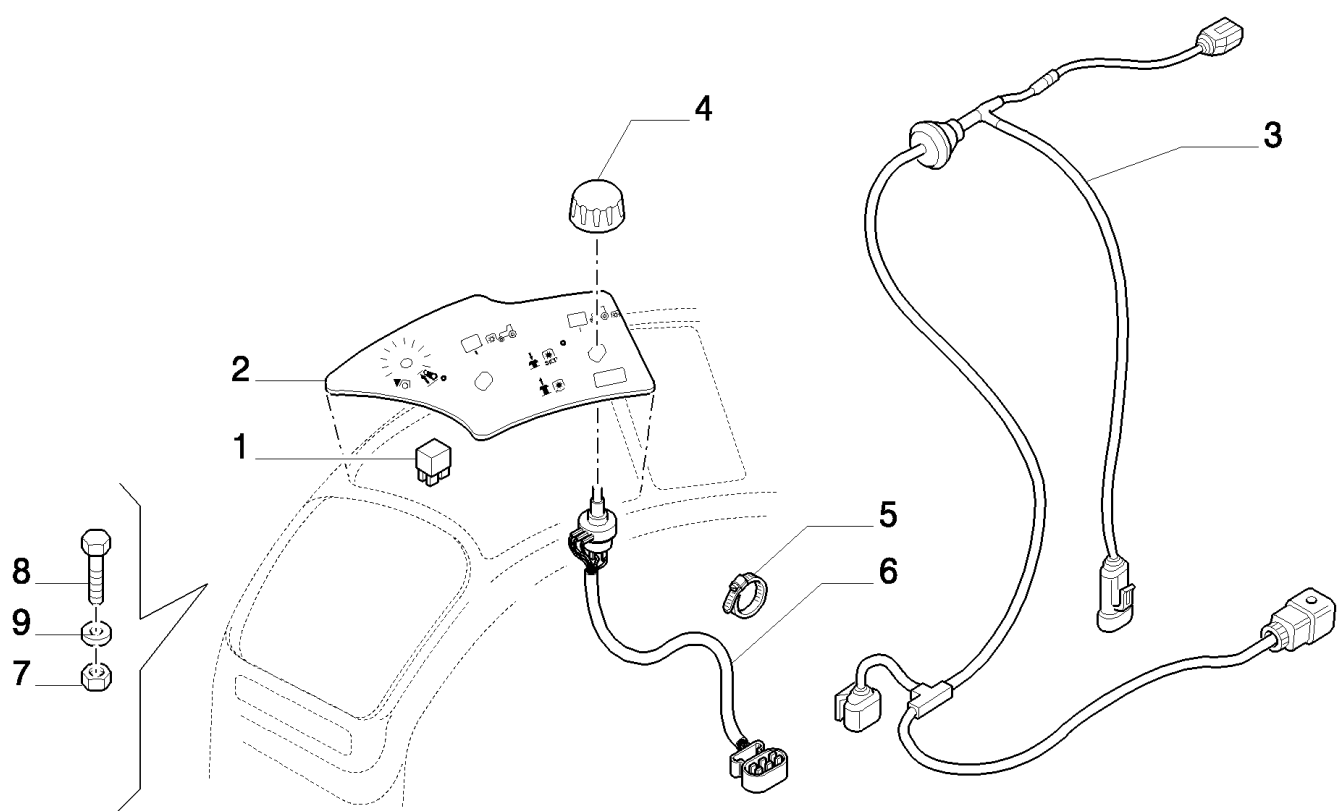
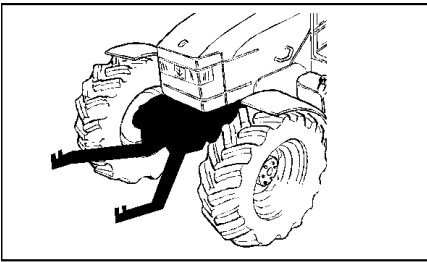


MXM155 CASE IH TRACTOR (6/02- )

1.91.1/12 (VAR.178-385-385/1-385/2) PNEUMATIC TRAILER BRAKES - PRESSURE GAUGE AND RELEVANT PARTS

сылка	Номер детали	Кол-во	Описание
1	82011332	1	GAUGE, Air Brake Pressure
2	82018861	1	HARNES, WIRE,
3	5112712	10	CLIP, HOSE, M4.8 x 283,
4	83990086	1	RELAY, 20 AMP

1.91.1/13 (VAR.789) FRONT HYDRAULIC LIFT FOR CCLS - SWITCH AND CABLES



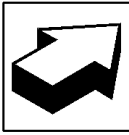
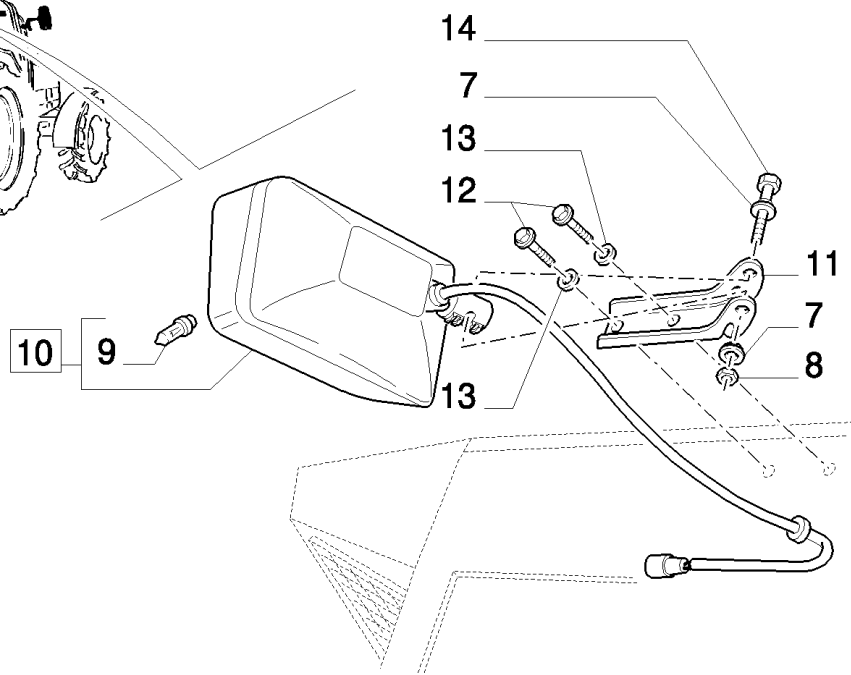
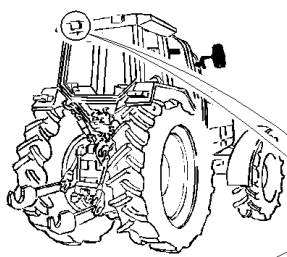
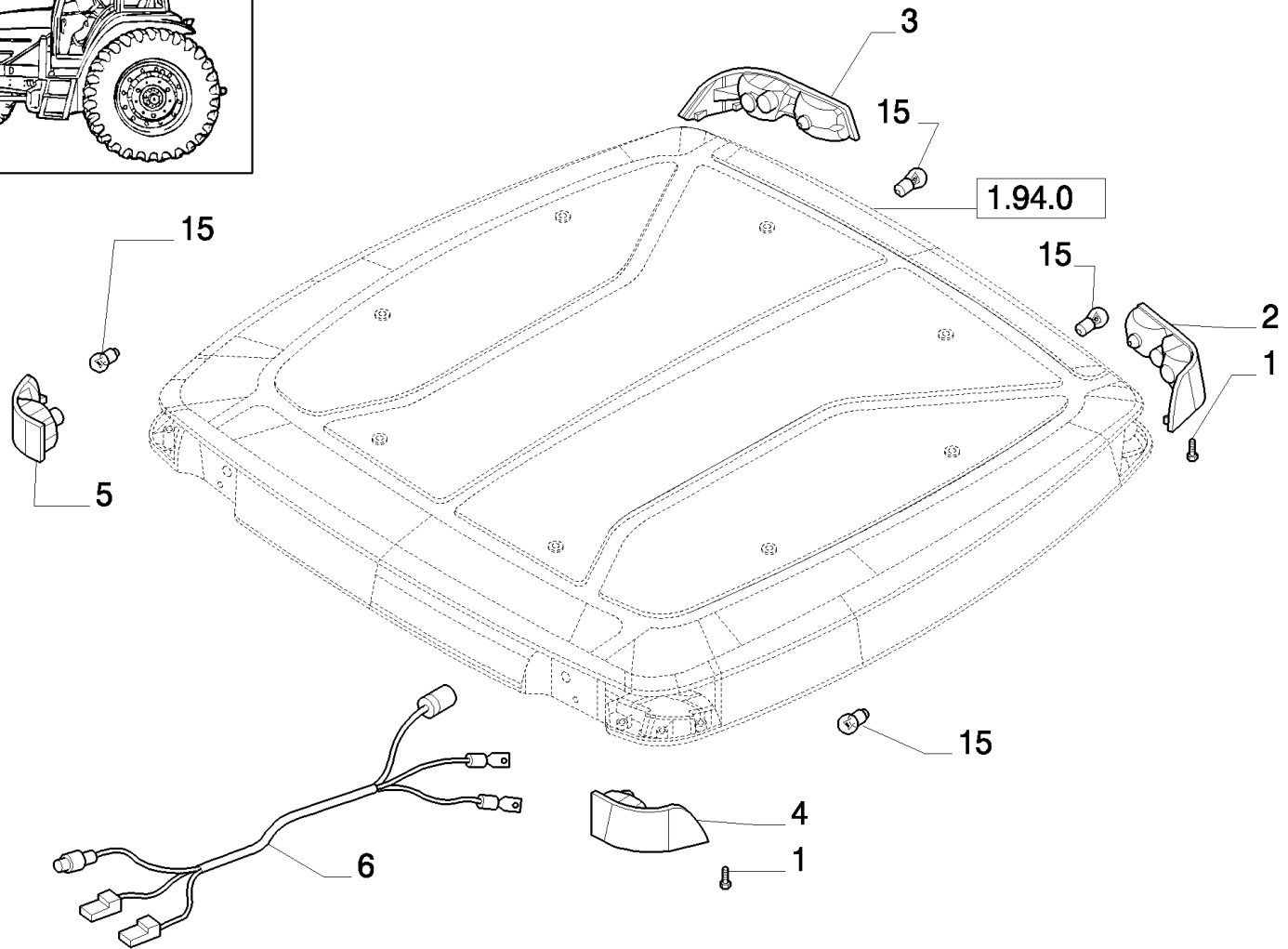
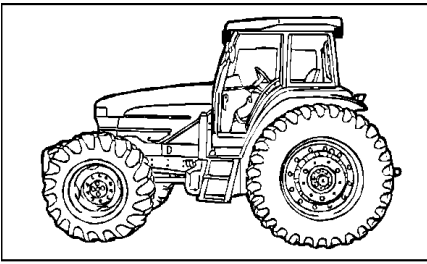
MXM155 CASE IH TRACTOR (6/02- )

1.91.1/13 (VAR.789) FRONT HYDRAULIC LIFT FOR CCLS - SWITCH AND CABLES

сылка	Номер детали	Кол-во	Описание
1	82006159	1	SWITCH, REMOTE CONTROL, Front Control
2	82031694	1	DECAL, , BSN ACM265008
2	87363489	1	DECAL, , ASN ACM265009
3	82018522	1	HARNESS, WIRE,
4	82018916	1	KNOB,
5	263117	7	STRAP, CABLE, .14" x 11 1/2",
6	82006115	1	POTENTIOMETER,
7	12574111	2	NUT, LOCK, M5 x .8, CI 8,
8	13274877	2	SCREW, Cross Pan Hd, M5 x 30,
9	14496301	2	WASHER, M5 x 10

D5281 Serial N.ACM265009

1.91.3(01) WORK LAMPS



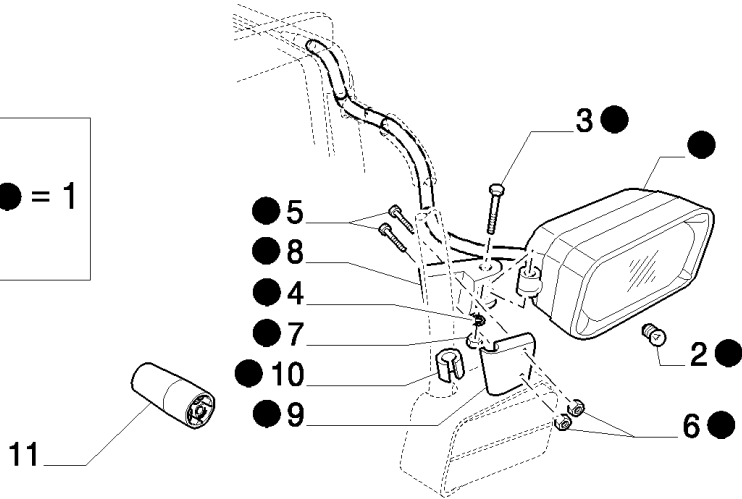
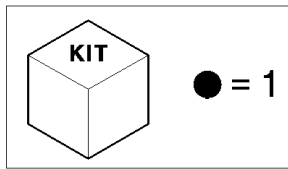
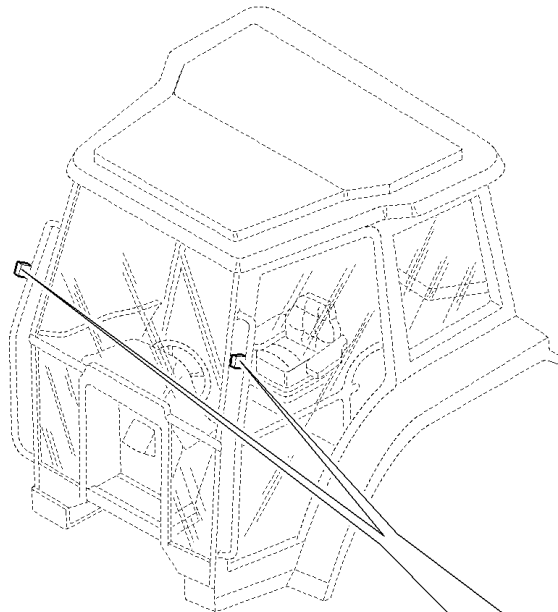
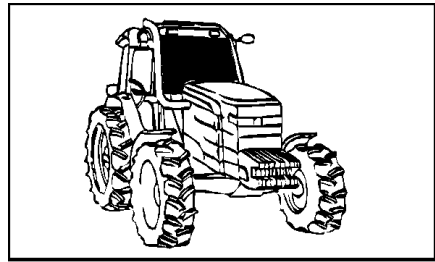
## MXM155 CASE IH TRACTOR (6/02- )

## 1.91.3(01) WORK LAMPS

сылка	Номер детали	Кол-во	Описание
1	82880748	10	SCREW, Pan Hd, M6 x 2 x 14
2	279228A1	1	LAMP, WORK, RH, Front, Incl. 15
3	279227A1	1	LAMP, WORK, LH, Front, Incl. 15
4	279229A1	1	LIGHT, WARNING, RH, Rear, Incl. 15
5	279231A1	1	LIGHT, WARNING, LH, Rear, Incl. 15, Bulb not included.
6	82026138	2	HARNESS, WIRE, RH, Rear
7	11193874	8	WASHER, SPRING, Belleville, M8.4,
8	14048221	2	NUT, LOCK, M8 x 1.25, CI 10,
9	14151590	2	BULB, 12V
10	82026139	1	LAMP, WORK, RH
10	82026141	2	LAMP, WORK, LH
11	82025464	2	BRACKET,
12	13632821	4	SCREW, M8 x 25
13	14496504	4	WASHER, M8 x 17 x 1.6,
14	16044224	2	BOLT, Hex, M8 x 50, 8.8,
15	323094A1	4	BULB, 894-12V (37W-Halogen)

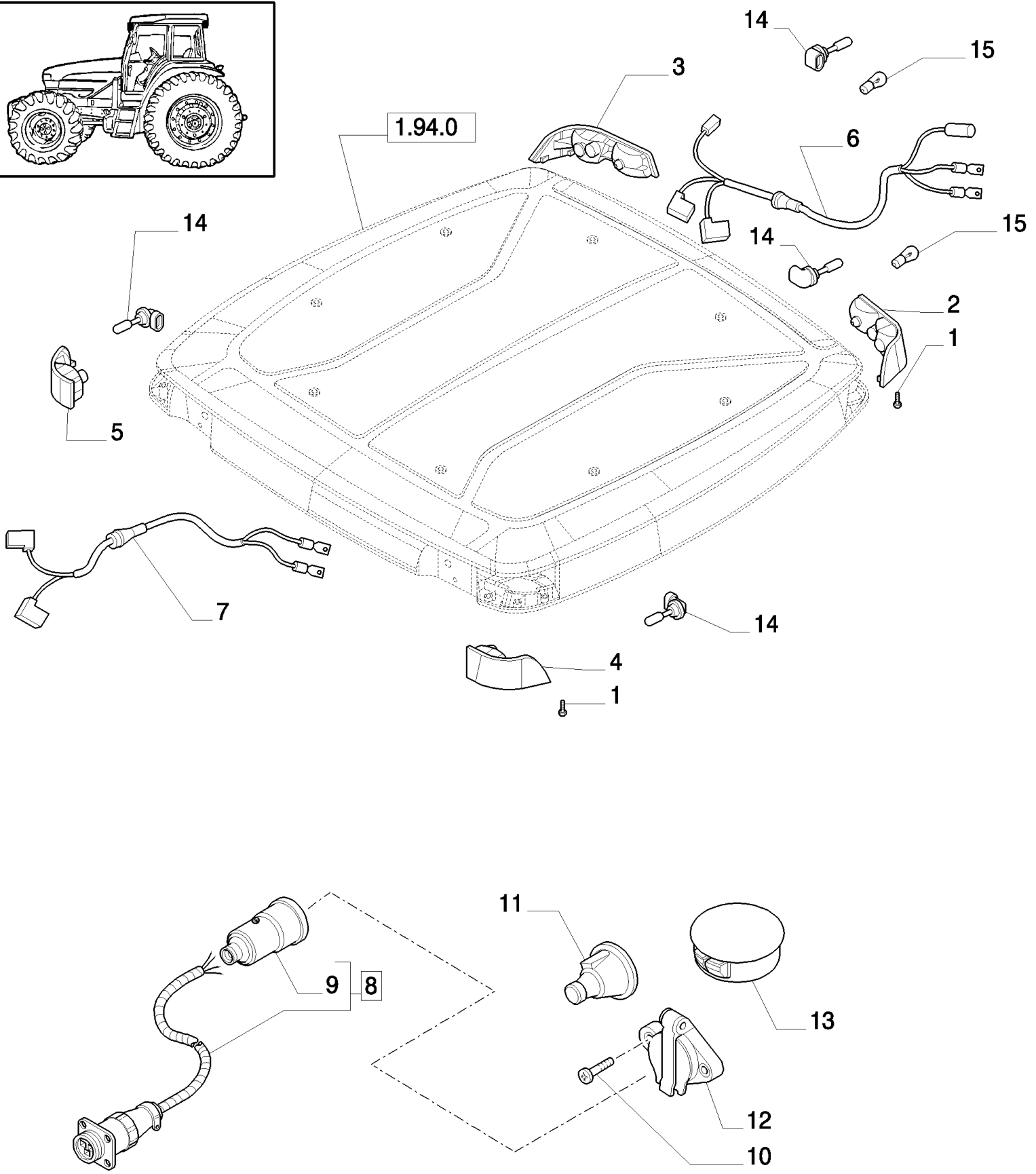
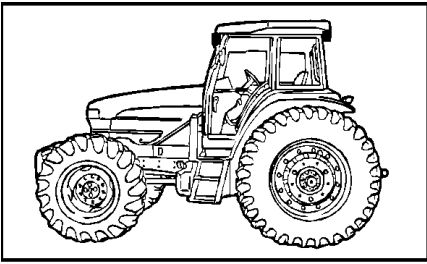


1.91.3(02) APPLICATION OF WORK SPOT-LIGHTS ON EXTERIOR CAB HANDLE



## 1.91.3(02) APPLICATION OF WORK SPOT-LIGHTS ON EXTERIOR CAB HANDLE

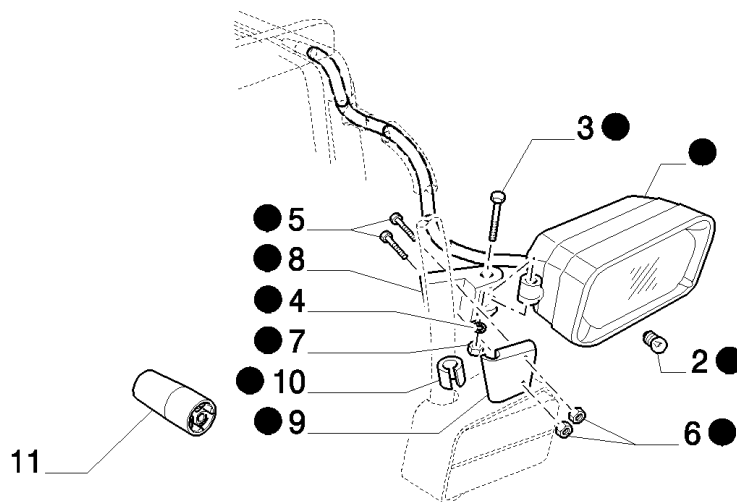
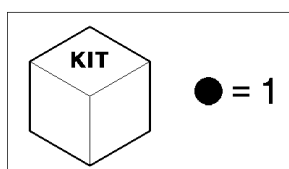
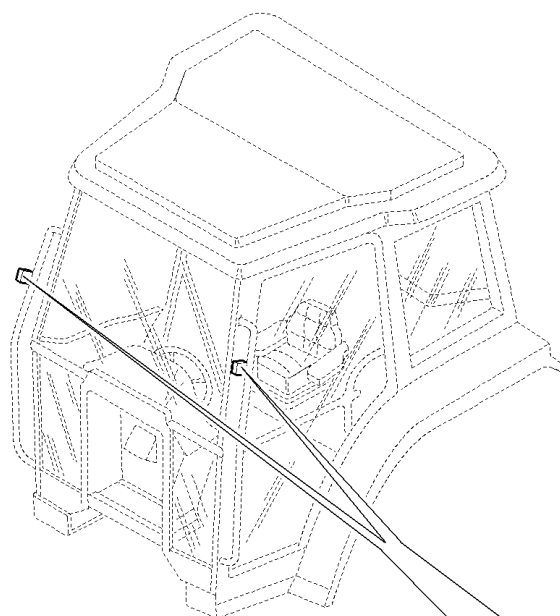
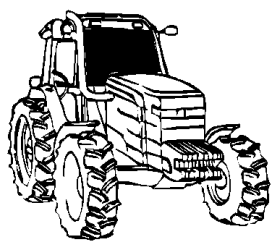
сылка	Номер детали	Кол-во	Описание
1	82014951	1	LAMP, WORK, LH
1	82014950	1	LAMP, WORK, RH
2	14151590	2	BULB, 12V
3	16044424	2	BOLT, Hex, M8 x 60, 8.8,
4	80080681	2	WASHER, LOCK, 5/16"
5	10903221	4	BOLT, Hex, M6 x 40, 8.8,
6	14048111	4	NUT, LOCK, M6 x 1, CI 8,
7	14048221	2	NUT, LOCK, M8 x 1.25, CI 10,
8	82008228	2	CLAMP,
9	82008229	2	CLAMP,
10	82006433	2	INSERT, PVC
11	82000578	2	CONNECTOR, ELEC,



## MXM155 CASE IH TRACTOR (6/02- )

## 1.91.3/01 (VAR.007) NORTH AMERICA VERSION - WORK LAMPS

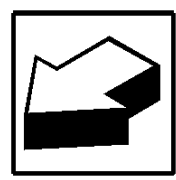
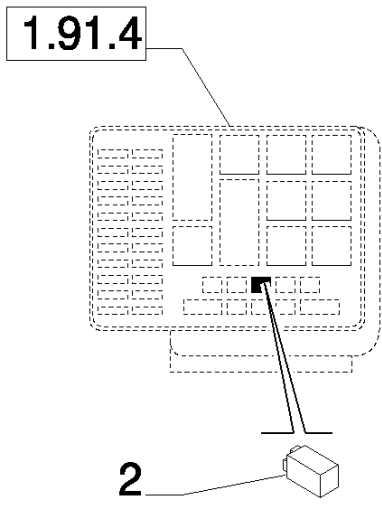
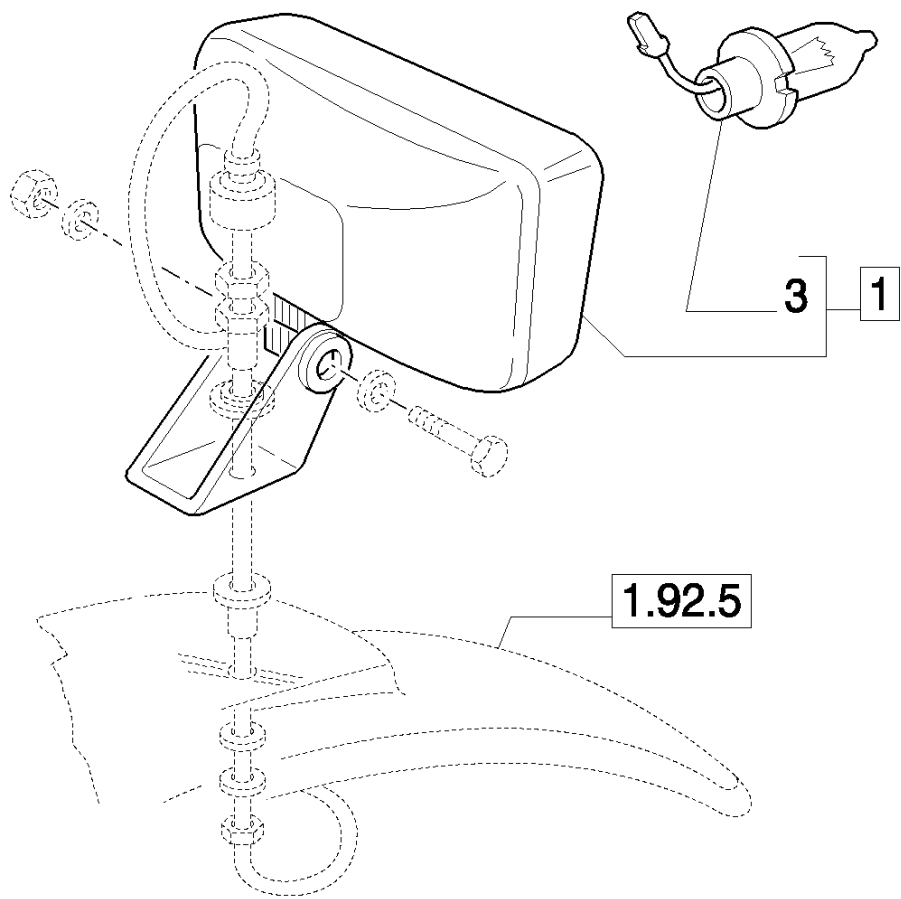
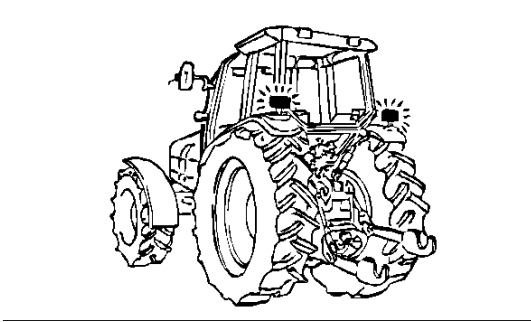
сылка	Номер детали	Кол-во	Описание
1	82880748	10	SCREW, Pan Hd, M6 x 2 x 14
2	279220A1	1	LIGHT ASSY., RH, Front, Incl. 14, 15
3	279219A1	1	LIGHT ASSY., LH, Front, Incl. 14, 15
4	279223A1	1	LIGHT, WARNING, RH, Rear, Incl. 14
5	279224A1	1	LIGHT, WARNING, LH, Rear, Incl. 14
6	82026138	2	HARNESS, WIRE, Front
7	82026137	2	HARNESS, WIRE, Rear
8	82015690	1	HARNESS, WIRE, , Mating female plug is 86511459.
9	81864735	1	SOCKET,
10	83986375	2	SCREW, SELF TAP, Self-Tapping, HWH, 5/16"-18 x 3/4"
11	83990207	1	BOOT,
12	82001021	1	SOCKET, POWER,
13	82031549	2	PLATE, D=31.5mm
14	323094A1	4	BULB, 894-12V (37W-Halogen)
15	A41264	2	BULB, #1156, 12V, 26W



MXM155 CASE IH TRACTOR (6/02- )

1.91.3/02 (VAR.766) APPLICATION OF WORK SPOT-LIGHTS ON EXTERIOR CAB HANDLE

сылка	Номер детали	Кол-во	Описание
1	82014951	1	LAMP, WORK, LH
1	82014950	1	LAMP, WORK, RH
2	14151590	2	BULB, 12V
3	16044424	2	BOLT, Hex, M8 x 60, 8.8,
4	80080681	2	WASHER, LOCK, 5/16"
5	10903221	4	BOLT, Hex, M6 x 40, 8.8,
6	14048111	4	NUT, LOCK, M6 x 1, CI 8,
7	14048221	2	NUT, LOCK, M8 x 1.25, CI 10,
8	82008228	2	CLAMP,
9	82008229	2	CLAMP,
10	82006433	2	INSERT, PVC
11	82000578	2	CONNECTOR, ELEC,

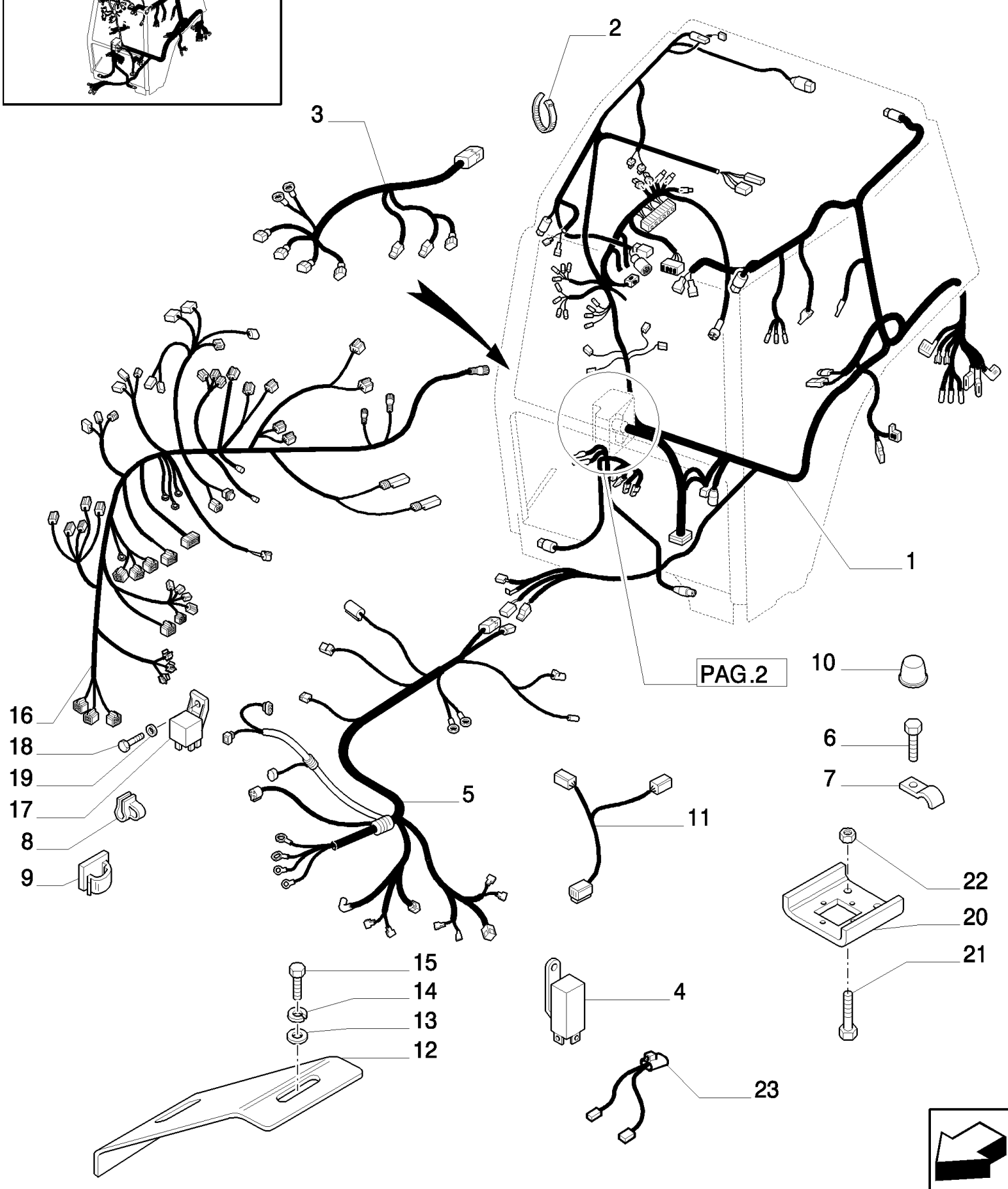
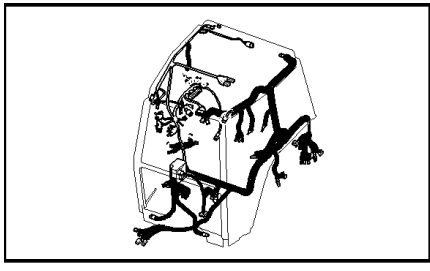


MXM155 CASE IH TRACTOR (6/02- )

1.91.3/03 (VAR.766/1) APPLICATION OF WORK SPOT-LIGHTS ON MUDGUARDS

сылка	Номер детали	Кол-во	Описание
1	82014949	AR	LAMP, WORK,
2	83990086	1	RELAY, 20 AMP
3	14151590	AR	BULB, 12V



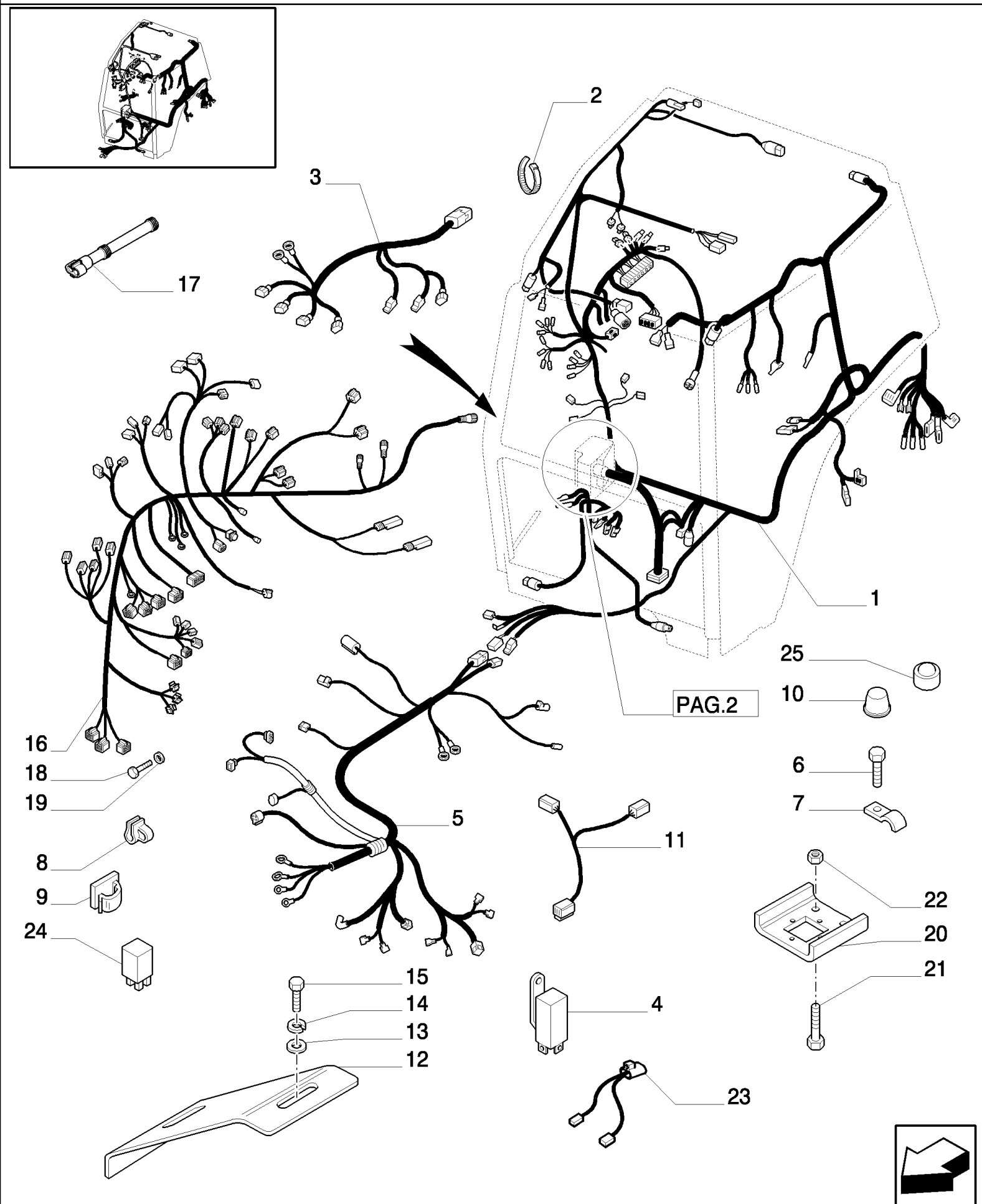


## MXM155 CASE IH TRACTOR (6/02- )

## 1.91.4(01) WIRE HARNESSSES AND FUSE BOX - C4868

сылка	Номер детали	Кол-во	Описание
1	82028409	1	HARNESS, WIRE, Main Rear, MXM120, MXM130, MXM140, MX155
1	82028253	1	Main Rear, MXM120, MXM130, MXM140, W/Mec. Trans. 20 x 16
1	82028414	1	HARNESS, WIRE, Main Rear, MXM175, MXM190
1	82028410	1	HARNESS, WIRE, Main Rear, MXM120, MXM130, MXM140, W/HI-LO Trans. 24 x 12 (40 kph-4WD) Equip. 272
1	82028408	1	HARNESS, WIRE, Main Rear, MXM120, MXM130, MXM140, MX155, W/Full Power Shift Trans. 18 x 6 (40 KPH 4WD) and 17 x 6 (30 KPH) Equip. 281
2	263117	4	STRAP, CABLE, .14" x 11 1/2",
2	5112712	3	CLIP, HOSE, M4.8 x 283,
3	82011886	1	HARNESS, WIRE, Console, RH
4	82015353	1	RELAY, Turn Indicator
5	82028411	1	HARNESS, WIRE, MXM175, MXM190
5	82028412	1	HARNESS, WIRE, MXM120, MXM130, MXM140, MX155
6	81872099	3	SCREW, HH, CL 8.8, M8 x 1.25 x 16
7	83976853	1	CLIP,
8	81813738	1	CLIP,
9	83918745	4	CLIP,
10	81864706	3	BOOT,
11	82015068	1	HARNESS, WIRE, HPL Pump, Open Center, MXM120, MXM130, MXM140, W/Mec. Trans. 20 x 16
12	82015352	2	PLATE,
13	10523401	4	WASHER, M6 x 18 x 2,
14	12035670	4	WASHER, LOCK, M6
15	10902224	4	BOLT, Hex, M6 x 16, 8.8, Full Thd,
16	82028413	1	HARNESS, WIRE, MXM175, MXM190, Main Electronic Full Power shift
17	82004463	2	RELAY, MXM175, MXM190
18	16043824	4	BOLT, Hex, M8 x 30, 8.8, Full Thd,
19	14496504	4	WASHER, M8 x 17 x 1.6,
20	82031360	1	BRACKET, MXM175, MXM190
21	15687201	4	SCREW, SELF TAP, Cross Pan Hd, M3.5 x 13,
21	16043424	2	SCREW, Hex, M8 x 20, 8.8, Full Thd,
22	16100811	2	NUT, M8, CI 8,
23	82028417	1	HARNESS, WIRE, Trans. Control

C4868 Serial N.230123



## MXM155 CASE IH TRACTOR (6/02- )

## 1.91.4(01A) CABLES AND FUSE BOX - D4868 - C5498

сылка	Номер детали	Кол-во	Описание
1	82034549	1	HARNESS, WIRE, Main Rear, MXM120, MXM130, MXM140, MX155, BSN ACM263457
1	82034561	1	HARNESS, WIRE, Main Rear, MXM120, MXM130, MXM140, W/Mec. Trans. 20 x 16, BSN ACM263457
1	82034547	1	HARNESS, WIRE, Main Rear, MXM175, MXM190, BSN ACM263457
1	82034560	1	HARNESS, WIRE, Main Rear, MXM120, MXM130, MXM140, W/HI-LO Trans. 24 x 12 (40 KPH-4WD) Equip. 272, BSN ACM263457
1	82034548	1	HARNESS, WIRE, Main Rear, MXM120, MXM130, MXM140, MX155, W/Full Power Shift Trans. 18 x 6 (40 KPH 4WD) and 17 x 6 (30 KPH) Equip. 281, BSN ACM263457
1	87301852	1	HARNESS, WIRE, Main Rear, MXM175, MXM190, W/Full Power Shift, BTW ACM263458 & ACM267460
1	87537902	1	HARNESS, WIRE, MXM175, MXM190, W/Full Power Shift, ASN ACM267461
1	87301853	1	HARNESS, WIRE, Main Rear, MXM120, MXM130, MXM140, MX155, W/Full Power Shift Trans. 18 x 6 (40 KPH 4WD) and 17 x 6 (30 KPH) Equip. 281, ASN ACM263458
1	87301854	1	HARNESS, WIRE, Main Rear, MXM120, MXM130, MXM140, MX155, BTW ACM263458 & ACM265009
1	87309545	1	HARNESS, WIRE, Main Rear, MXM120, MXM130, MXM140, MX155, ASN ACM265009
1	87301855	1	HARNESS, WIRE, Main Rear, MXM120, MXM130, MXM140, W/HI-LO Trans. 24 x 12 (40 KPH) Equip. 272, ASN ACM263458
1	87301856	1	HARNESS, WIRE, Main Rear, MXM120, MXM130, MXM140, W/Mec. Trans. 20 x 16, ASN ACM263458
2	263117	4	STRAP, CABLE, .14" x 11 1/2",
3	82011886	1	HARNESS, WIRE, Console, RH
4	82015353	1	RELAY, Turn Indicator
5	82034545	1	HARNESS, WIRE, Main Front, MXM175, MXM190, BSN ACM247564
5	87301849	1	HARNESS, WIRE, Main Front, MXM175, MXM190, BTW ACM247565 & ACM263457
5	82034546	1	HARNESS, WIRE, Main Front, MXM120, MXM130, MXM140, MXM155, BSN ACM247564
5	87301850	1	HARNESS, WIRE, Main Front, MXM120, MXM130, MXM140, MXM155, BTW ACM247565 & ACM263457
5	87331323	1	HARNESS, WIRE, Main Front, MXM120, MXM130, MXM140, MXM155, ASN ACM263458
5	87331324	1	HARNESS, WIRE, Main Front, MXM175, MXM190, ASN ACM263458
6	81872099	3	SCREW, HH, CL 8.8, M8 x 1.25 x 16
7	83976853	1	CLIP,
8	81813738	1	CLIP,
9	83918745	4	CLIP,
10	81864706	3	BOOT,
11	82015068	1	HARNESS, WIRE, HPL Pump, Open Center, MXM120, MXM130, MXM140, W/Mec. Trans. 20 x 16
12	82015352	2	PLATE,
13	10523401	4	WASHER, M6 x 18 x 2,
14	12035670	4	WASHER, LOCK, M6
15	10902224	4	BOLT, Hex, M6 x 16, 8.8, Full Thd,
16	87301851	1	HARNESS, WIRE, MXM175, MXM190, Main Electronic Full Power shift, BSN ACM263457
16	82034562	1	HARNESS, WIRE, MXM175, MXM190, Main Electronic Full Power shift, ASN ACM263458
17	82036572	1	HARNESS, WIRE, , For MXM175, MXM190 W/Electronic Remote
18	16043824	4	BOLT, Hex, M8 x 30, 8.8, Full Thd,
19	14496504	4	WASHER, M8 x 17 x 1.6,
20	82035501	1	BRACKET, MXM175, MXM190
21	15687201	4	SCREW, SELF TAP, Cross Pan Hd, M3.5 x 13,
21	16043424	2	SCREW, Hex, M8 x 20, 8.8, Full Thd,

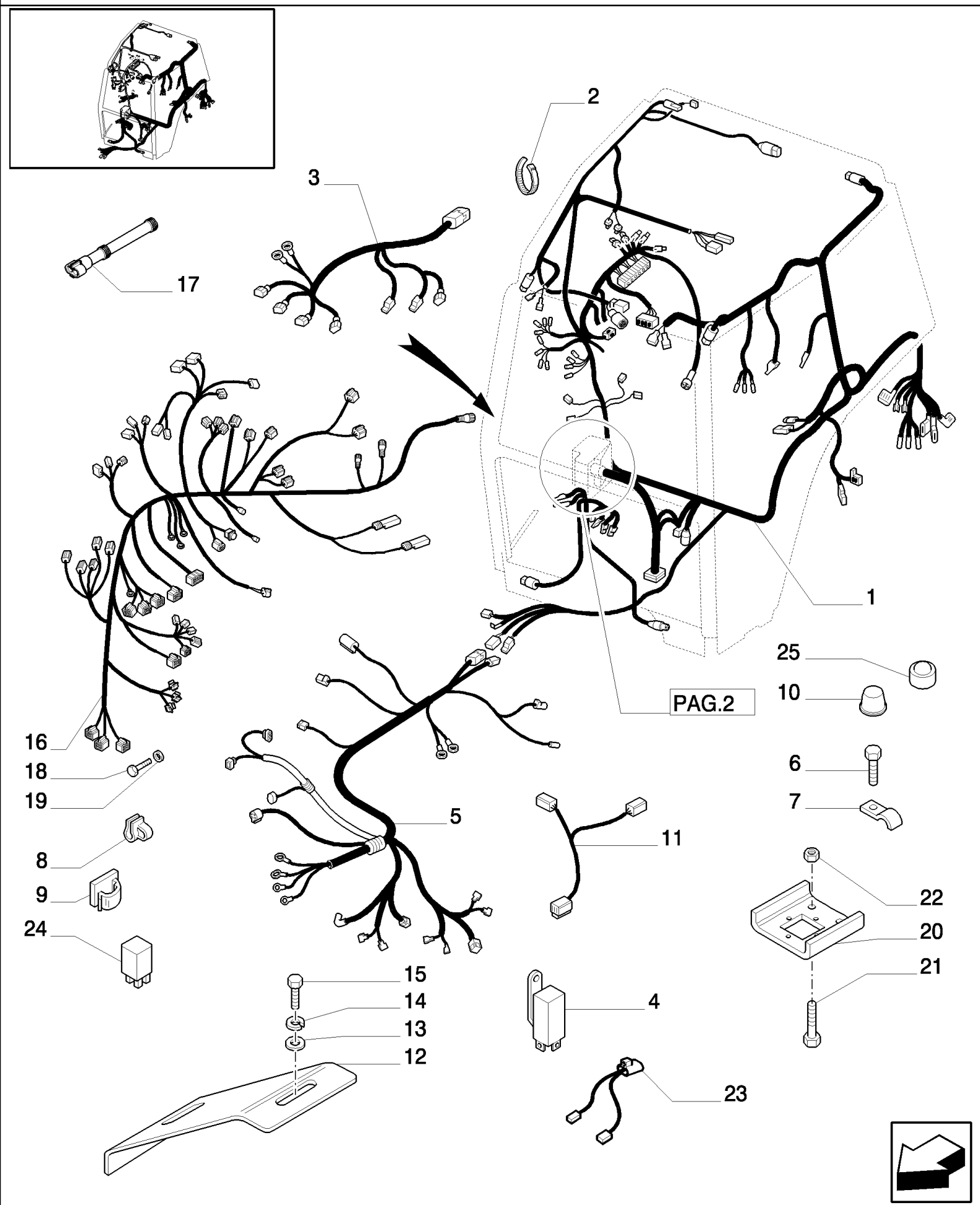
D4868 Serial N.230124 D4993 Serial N.ACM247565 D5212 Serial N.ACM263458 D5265 Serial N.ACM267461 D5281 Serial N.ACM265009 C5498 Before Date 17 August 2006

MXM155 CASE IH TRACTOR (6/02- )

1.91.4(01A) CABLES AND FUSE BOX - D4868 - C5498

сылка	Номер детали	Кол-во	Описание
22	16100811	2	NUT, M8, CI 8,
23	82028417	1	HARNESS, WIRE, Trans. Control
24	82017871	2	RELAY, MXM175, MXM190, ASN 230124
25	87533425	2	NUT,

D4868 Serial N.230124 D4993 Serial N.ACM247565 D5212 Serial N.ACM263458 D5265 Serial N.ACM267461 D5281 Serial N.ACM265009 C5498 Before Date 17 August 2006



## MXM155 CASE IH TRACTOR (6/02- )

## 1.91.4(01B) CABLES AND FUSE BOX - D5498

сылка	Номер детали	Кол-во	Описание
1	87539098	1	HARNESS, WIRE, Main Rear, MXM120, MXM130, MXM140, MX155, ASN ACM265009
1	87537902	1	HARNESS, WIRE, MXM175, MXM190, W/Full Power Shift
1	87539090	1	HARNESS, WIRE, Main Rear, MXM120, MXM130, MXM140, MX155, W/Full Power Shift Trans. 18 x 6 (40 KPH 4WD) and 17 x 6 (30 KPH) Equip. 281
1	87539054	1	HARNESS, WIRE, Main Rear, MXM120, MXM130, MXM140, W/Hi-LO Trans. 24 x 12 (40 KPH) Equip. 272
1	87538434	1	HARNESS, WIRE, Main Rear, MXM120, MXM130, MXM140, W/Mec. Trans. 20 x 16
2	263117	4	STRAP, CABLE, .14" x 11 1/2",
3	82011886	1	HARNESS, WIRE, Console, RH
4	82015353	1	RELAY, Turn Indicator
5	87331323	1	HARNESS, WIRE, Main Front, MXM120, MXM130, MXM140, MXM155
5	87331324	1	HARNESS, WIRE, Main Front, MXM175, MXM190
6	81872099	3	SCREW, HH, CL 8.8, M8 x 1.25 x 16
7	83976853	1	CLIP,
8	81813738	1	CLIP,
9	83918745	4	CLIP,
10	81864706	3	BOOT,
11	82015068	1	HARNESS, WIRE, HPL Pump, Open Center, MXM120, MXM130, MXM140, W/Mec. Trans. 20 x 16
12	82015352	2	PLATE,
13	10523401	4	WASHER, M6 x 18 x 2,
14	12035670	4	WASHER, LOCK, M6
15	10902224	4	BOLT, Hex, M6 x 16, 8.8, Full Thd,
16	82034562	1	HARNESS, WIRE, MXM175, MXM190, Main Electronic Full Power shift
17	82036572	1	HARNESS, WIRE, , For MXM175, MXM190 W/Electronic Remote
18	16043824	4	BOLT, Hex, M8 x 30, 8.8, Full Thd,
19	14496504	4	WASHER, M8 x 17 x 1.6,
20	82035501	1	BRACKET, MXM175, MXM190
21	15687201	4	SCREW, SELF TAP, Cross Pan Hd, M3.5 x 13,
21	16043424	2	SCREW, Hex, M8 x 20, 8.8, Full Thd,
22	16100811	2	NUT, M8, CI 8,
23	82028417	1	HARNESS, WIRE, Trans. Control
24	82017871	2	RELAY, MXM175, MXM190, ASN 230124
25	87533425	2	NUT,

D4868 Serial N.230124 D4993 Serial N.ACM247565 D5212 Serial N.ACM263458 D5265 Serial N.ACM267461 D5281 Serial N.ACM265009 D5498 After Date 17 August 2006



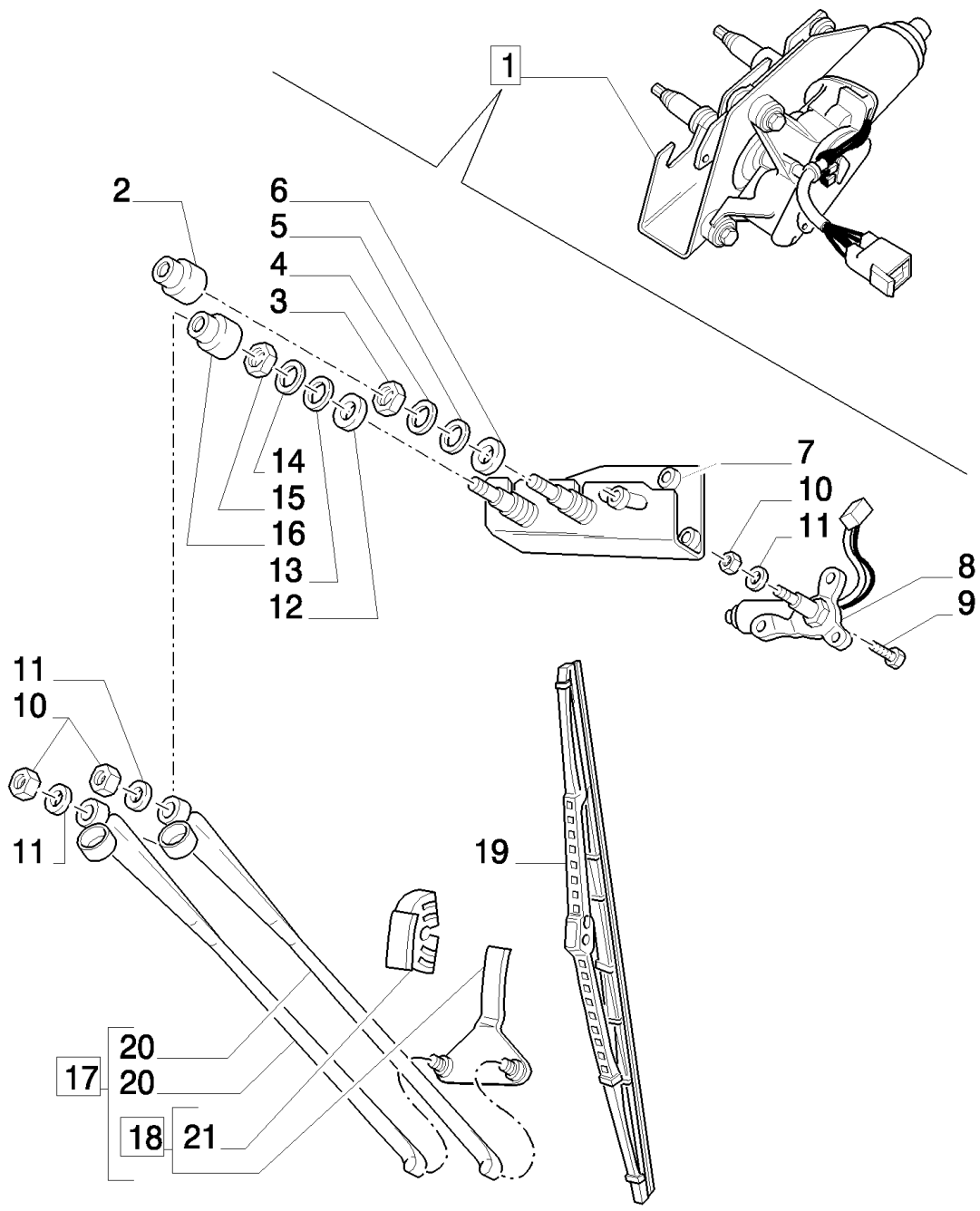
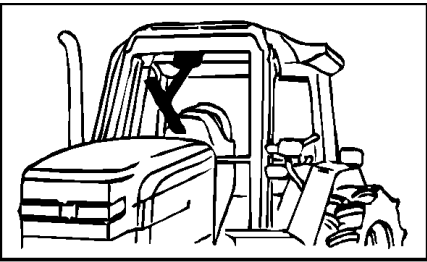


## MXM155 CASE IH TRACTOR (6/02- )

## 1.91.4(02) CABLES AND FUSE BOX

сылка	Номер детали	Кол-во	Описание
1	263117	1	STRAP, CABLE, .14" x 11 1/2",
2	81864242	6	CLIP,
3	81864246	1	COVER,
4	15896221	2	NUT, M6, CI 10,
5	10569274	2	WASHER, LOCK,
6	81864244	1	COVER,
7	83989947	1	RELAY, 70 AMP
8	83990084	1	RELAY, 40 AMP
8	83990086	1	RELAY, 20 AMP
9	82866276	1	FUSE HOLDER, , Included in the Main Harness, Less Fuse and Relay
10	82028827	1	DECAL, MXM120, MXM130, MXM140, MXM155
10	82028828	1	DECAL, MXM175, MXM190
11	82003266	1	COVER,
12	11055490	AR	FUSE, 40 AMP
12	5173263	AR	FUSE, 50 AMP
12	11055690	AR	FUSE, 60 AMP
12	5173264	AR	FUSE, 30 AMP
12	89623774	AR	FUSE, 15 AMP
12	89811773	AR	FUSE, 10 AMP
12	89804895	AR	FUSE, 20 AMP
12	83932926	AR	FUSE, 25 AMP
12	89623775	AR	FUSE, 5 AMP
13	81878921	AR	DIODE, Circuit Protecting
14	82859586	1	CONNECTOR, ELEC,

1.91.5(01) FRONT WINDSHIELD WIPER

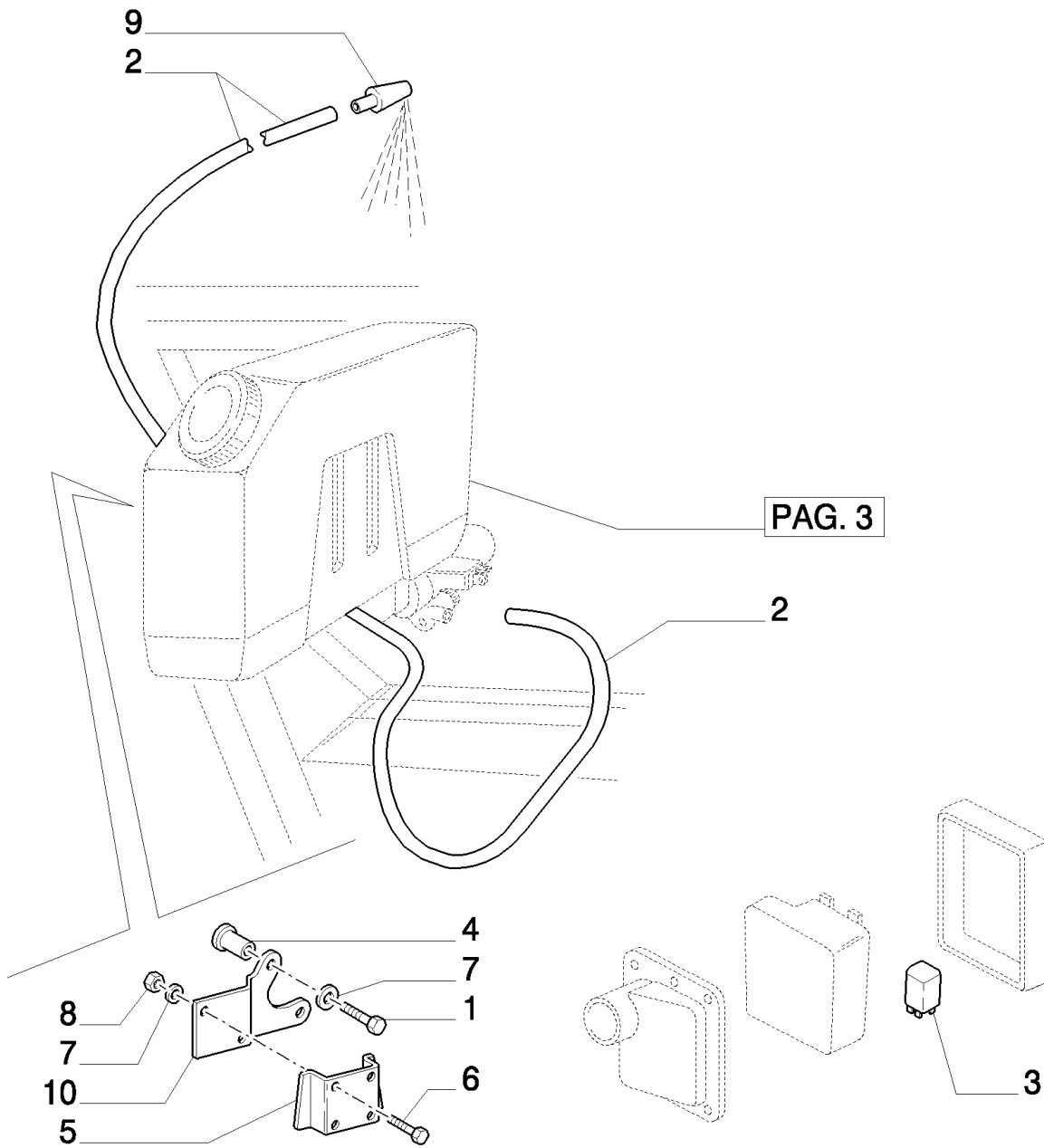
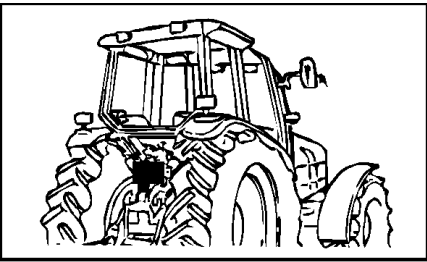


## MXM155 CASE IH TRACTOR (6/02- )

## 1.91.5(01) FRONT WINDSHIELD WIPER

сылка	Номер детали	Кол-во	Описание
1	82016930	1	WIPER MOTOR, Assy (2-16)
2	83994900	1	COVER,
3	83994886	1	NUT, M6
4	83994892	1	WASHER,
5	83994899	1	WASHER,
6	83994896	1	WASHER,
7	82024730	1	BRACKET,
8	82024725	1	WIPER MOTOR,
9	80120100	3	BOLT, Hex, M6 x 20, 8.8,
10	89706690	2	NUT, M8, CI 8,
11	80140160	2	WASHER, LOCK, Int T, M8
12	83994869	1	WASHER,
13	83994889	1	WASHER,
14	83994895	1	WASHER,
15	83994880	1	NUT, M20
16	83994874	1	PLUG,
17	83994998	1	ARM,
18	81875804	1	CLIP,
19	82008813	1	WIPER BLADE, 551 mm
19	82034373	1	WIPER BLADE, 500 mm
20	82942149	2	WIPER ARM,
21	9971672	1	ADAPTER,

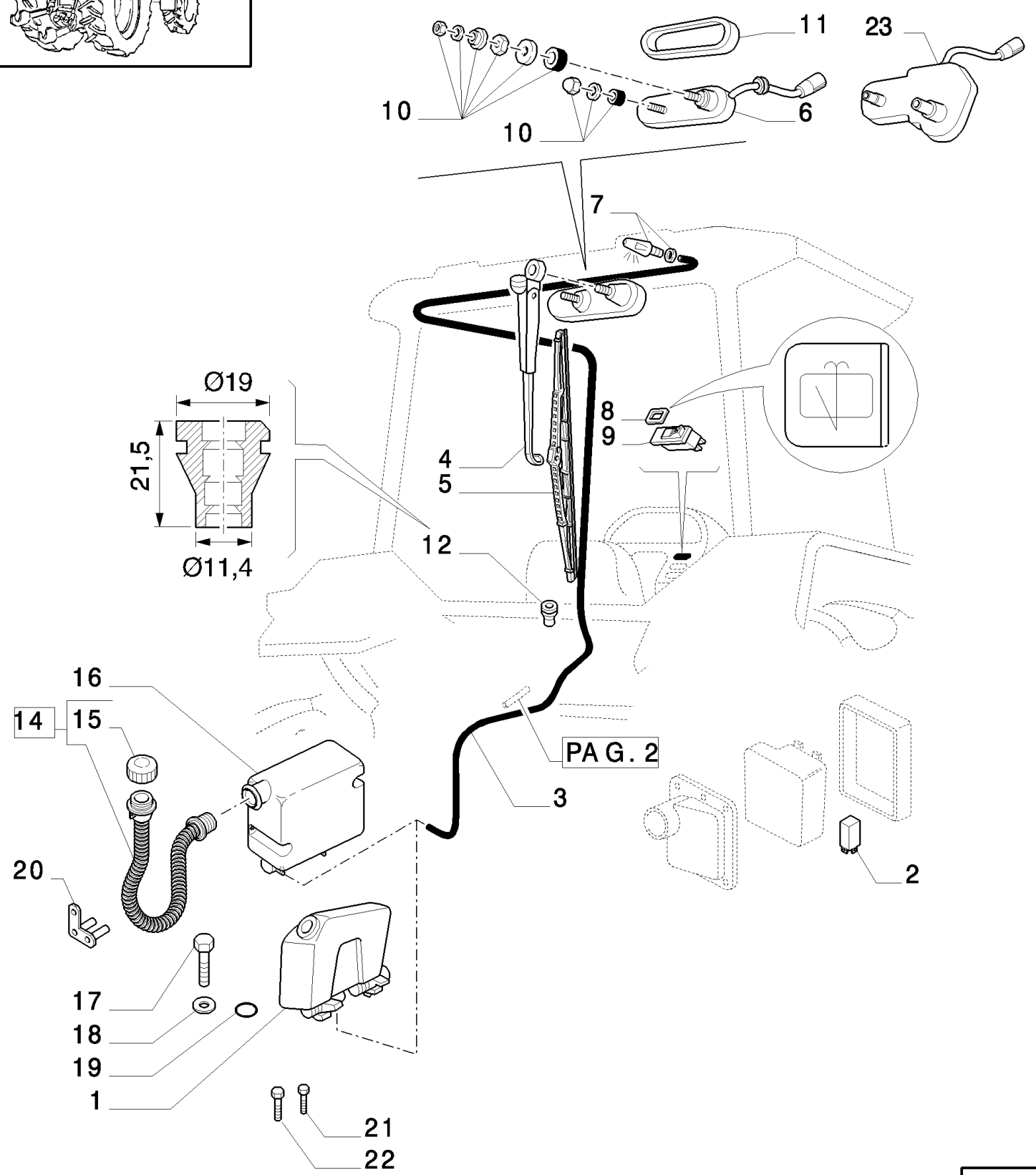
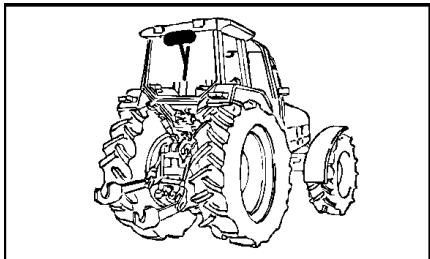
1.91.5(02) FRONT WINDSHIELD WIPER



MXM155 CASE IH TRACTOR (6/02- )

1.91.5(02) FRONT WINDSHIELD WIPER

сылка	Номер детали	Кол-во	Описание
1	10902624	2	BOLT, Hex, M6 x 25, 8.8, Full Thd,
2	81868334	1	HOSE,
3	82011380	1	RELAY, Intermittent Wipe (Front)
4	81869659	2	INSERT, THREADED, M6
5	5155855	1	BRACKET,
6	10902124	2	BOLT, Hex, M6 x 14, 8.8, Full Thd,
7	12035670	4	WASHER, LOCK, M6
8	15896221	2	NUT, M6, CI 10,
9	82006204	1	NOZZLE,
10	82016122	1	BRACKET,

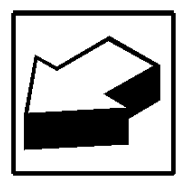
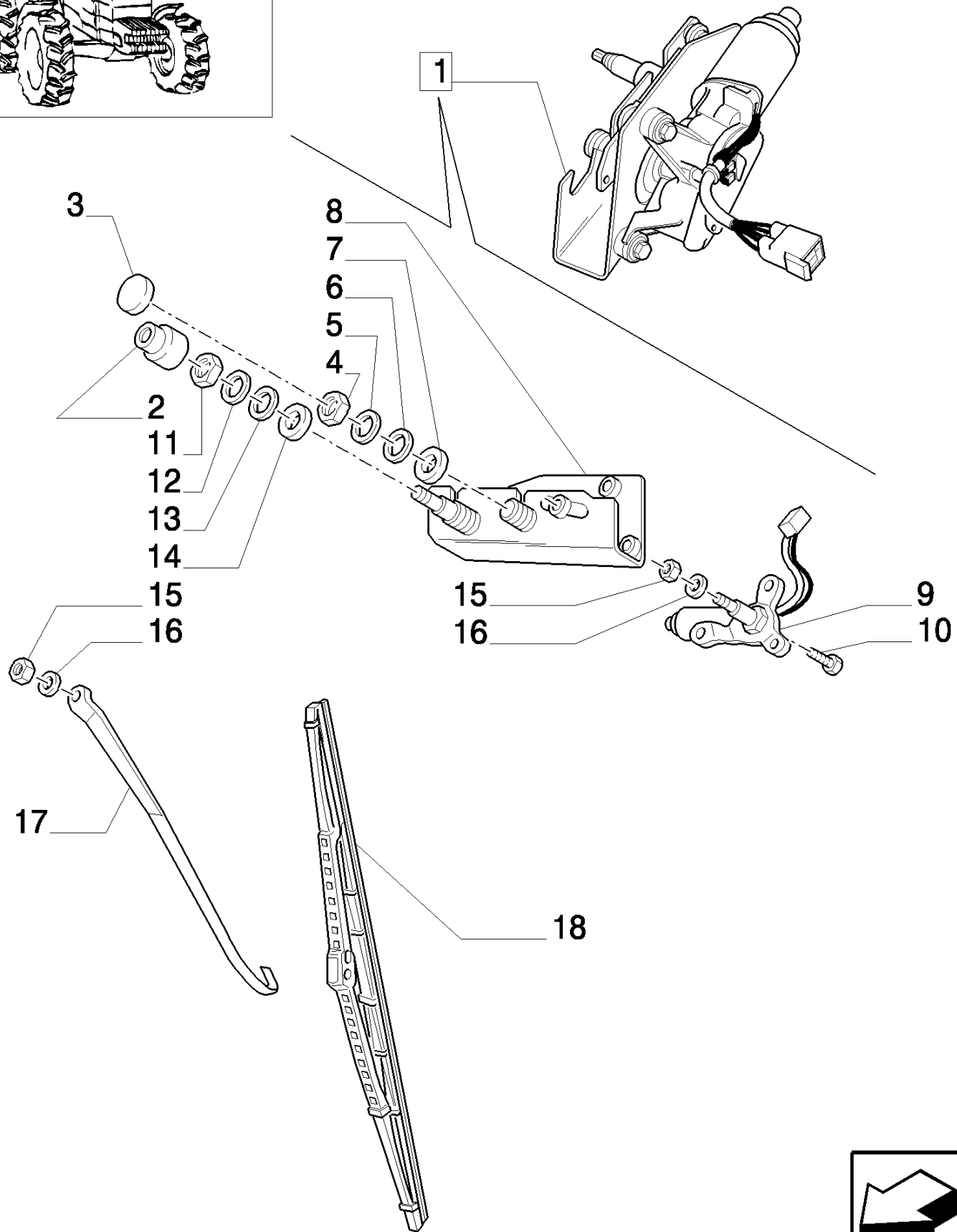
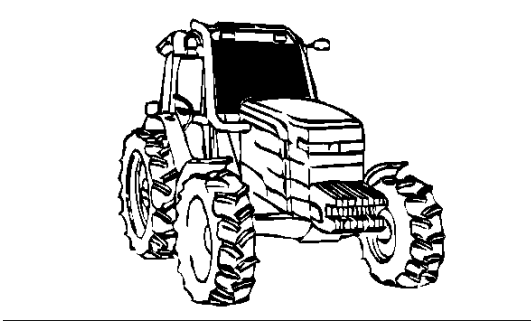


## MXM155 CASE IH TRACTOR (6/02- )

## 1.91.5(03) REAR WINDSHIELD WIPER

сылка	Номер детали	Кол-во	Описание
1	5155411	1	RESERVOIR, WINDSH. WASH, Incl. 13, MXM120, MXM130, MXM140, MXM155, 2 pumps and grommets are included, -C4908
1	82016434	1	RESERVOIR, WINDSH. WASH, Includes 2 Pumps, Only for Cab w/Suspension (Equip. 635), -C4908
2	82011381	1	MODULE,
3	82014060	1	HOSE,
4	82001912	1	WIPER ARM,
5	82003345	1	WIPER BLADE,
6	82009353	1	WIPER MOTOR, (10, 11), -C5264
7	82008335	1	NOZZLE,
8	5157932	1	INSERT,
9	5150956	1	SWITCH, Windshield Washer, Rear
10	9967810	1	KIT, Wiper Arm Repair
11	9969365	1	COVER,
12	82012309	1	GROMMET,
13	9972147	1	PLUG,
14	82036914	1	NECK FILLER, L=468, D4908-
15	82036769	1	CAP, FILLER, , D4908-
16	82036768	1	RESERVOIR, WINDSH. WASH, , D4908-
17	86511829	4	SCREW, Cross Pan Hd, M6 x 16, , D4908-
18	17094714	4	WASHER, LOCK, M6 x 12.5, D4908-
19	14454480	2	O-RING, -027, 70 Duro, 1.301" ID x .070" Thk, , D4908-
20	82036794	1	BRACKET, , D4908-
21	16043024	2	BOLT, Hex, M8 x 12, 8.8, Full Thd, , D4908-
22	16043224	2	BOLT, Hex, M8 x 16, 8.8, Full Thd, , D4908-
23	87380358	1	WIPER MOTOR, , D5264-

D4908 After Date 06/08/03 D5264 After Date 18 November 2005



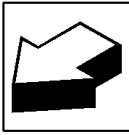
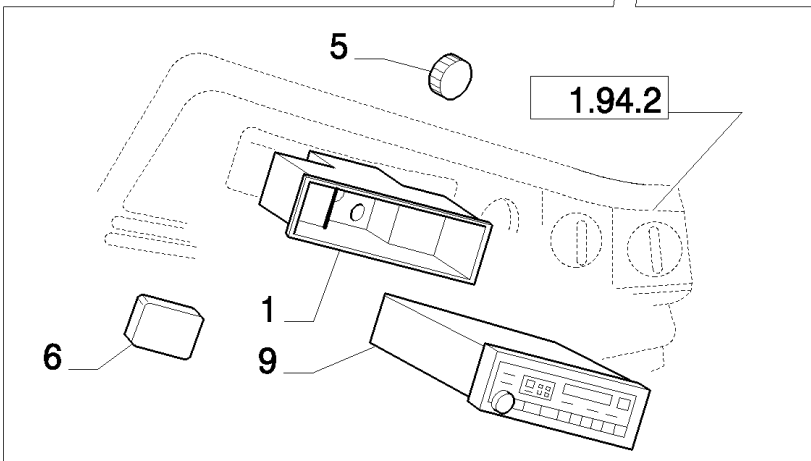
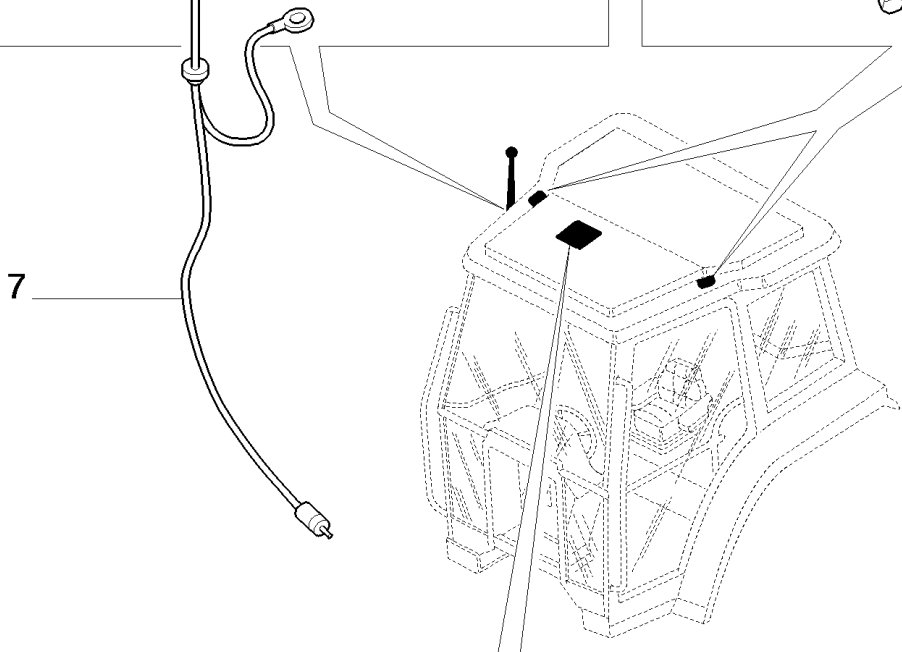
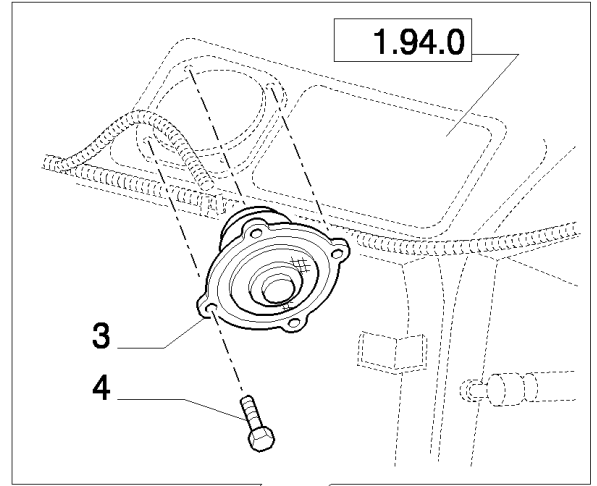
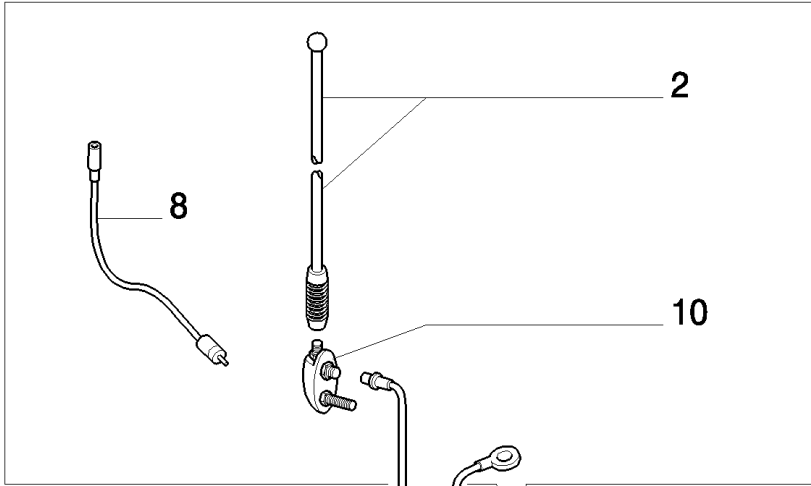
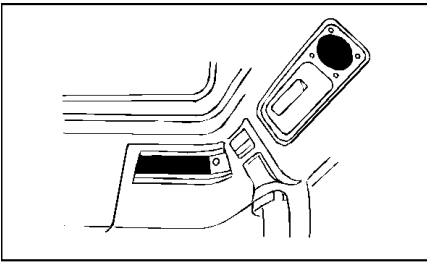


## MXM155 CASE IH TRACTOR (6/02- )

## 1.91.5/01 (VAR.007-640) FRONT WINDSHIELD WIPER

сылка	Номер детали	Кол-во	Описание
1	82016927	1	WIPER MOTOR, Assy (2-16)
2	83994874	1	PLUG,
3	83994902	1	CAP,
4	83994886	1	NUT, M16
5	83994892	1	WASHER,
6	83994899	1	WASHER,
7	83994896	1	WASHER,
8	82024729	1	BRACKET,
9	82024725	1	WIPER MOTOR,
10	10902424	3	BOLT, Hex, M6 x 20, 8.8, Full Thd,
11	83994880	1	NUT, M20
12	83994895	1	WASHER,
13	83994889	1	WASHER,
14	83994869	1	WASHER,
15	89706690	1	NUT, M8, CI 8,
16	80140160	1	WASHER, LOCK, Int T, M8
17	82015773	1	WIPER ARM,
18	82003345	1	WIPER BLADE,

1.91.6 INTENDED FOR RADIO INSTALLATION, CLOCK



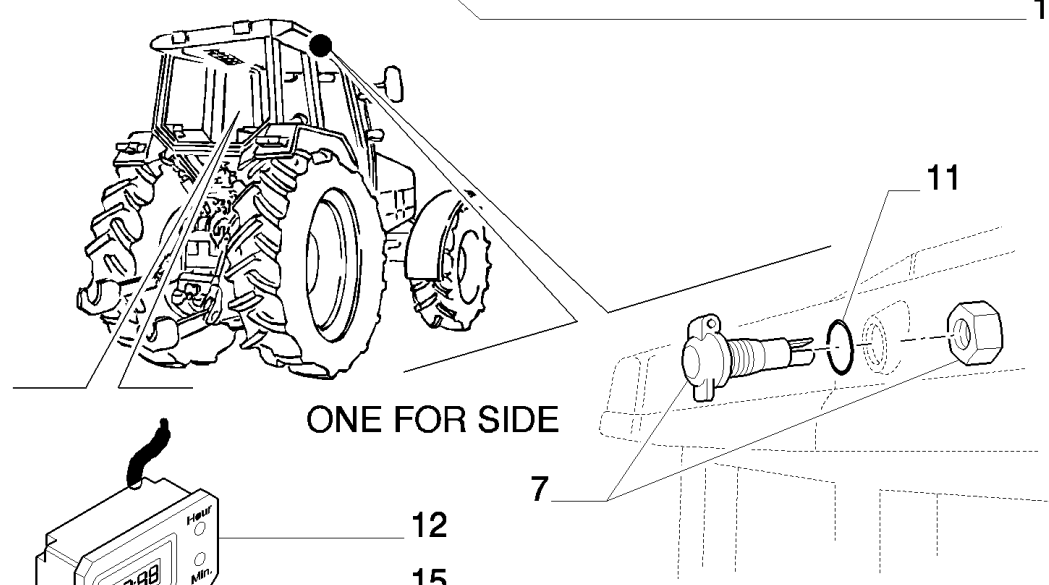
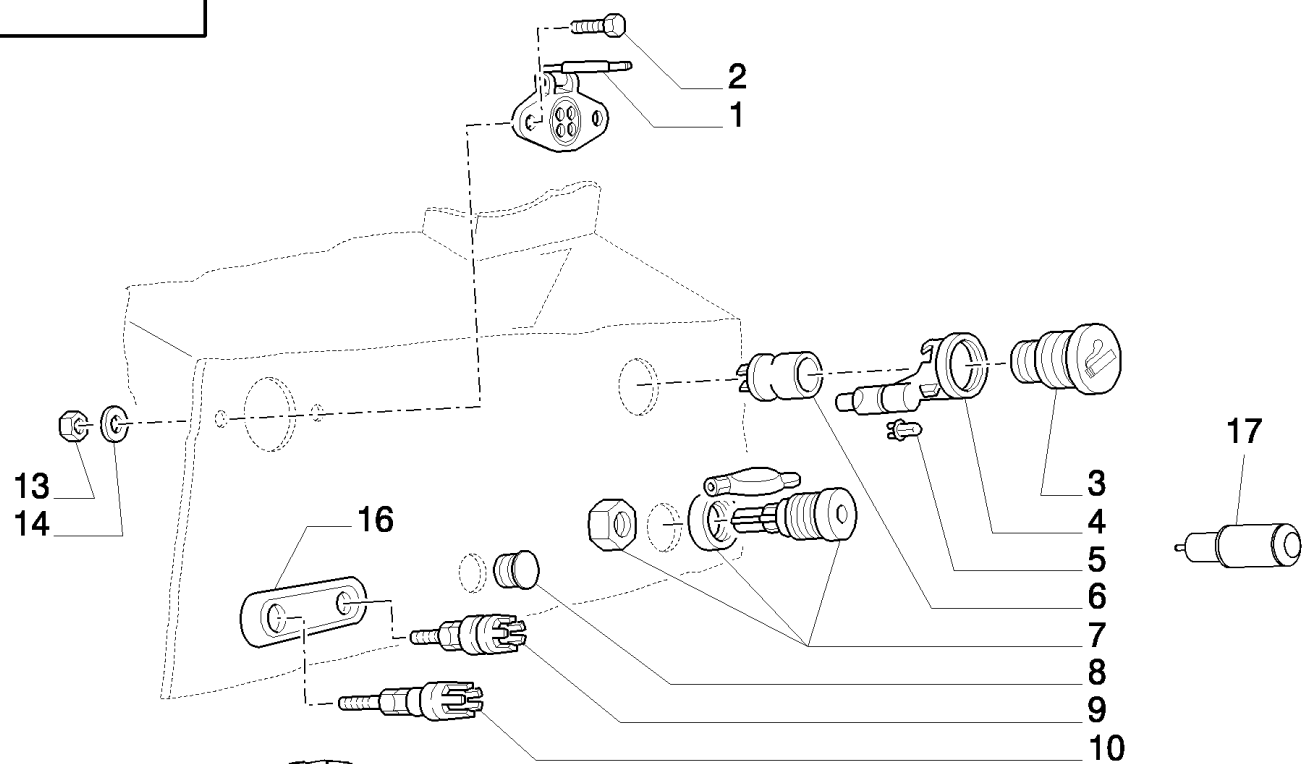
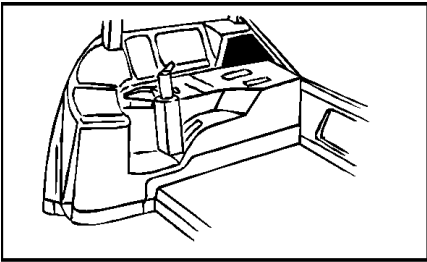
## MXM155 CASE IH TRACTOR (6/02- )

## 1.91.6 INTENDED FOR RADIO INSTALLATION, CLOCK

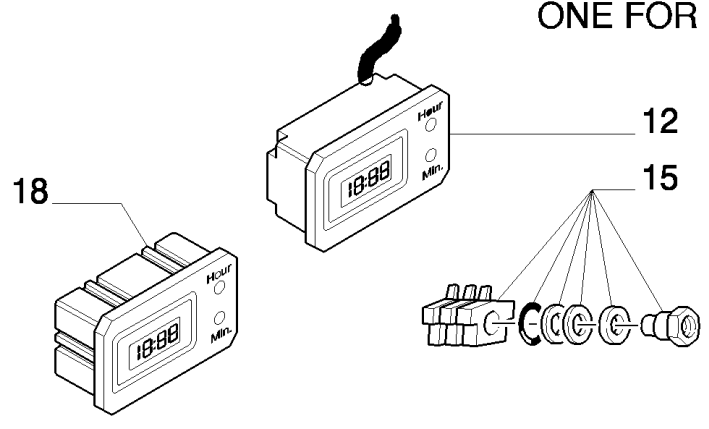
сылка	Номер детали	Кол-во	Описание
1	82026194	1	HOUSING,
2	82037610	1	ANTENNA, , -C5224
2	87363131	1	ANTENNA, , D5224-
3	82014952	2	SPEAKER,
4	15644001	8	SCREW, SELF TAP, Cross Pan Hd, M4.2 x 13,
5	83935425	1	NUT,
6	82025862	1	DECAL,
7	82026196	1	CABLE, ELECTRIC, Antenna
8	82026197	1	CABLE, ELECTRIC, Antenna
9	82028195	1	RADIO, (Equip. 758)
10	82031724	1	SUPPORT, , -C5224
10	87363130	1	SUPPORT, , D5224-

D5224 After Date 05 August 2005

1.91.7(01) POWER SOCKETS AND CLOCK



ONE FOR SIDE

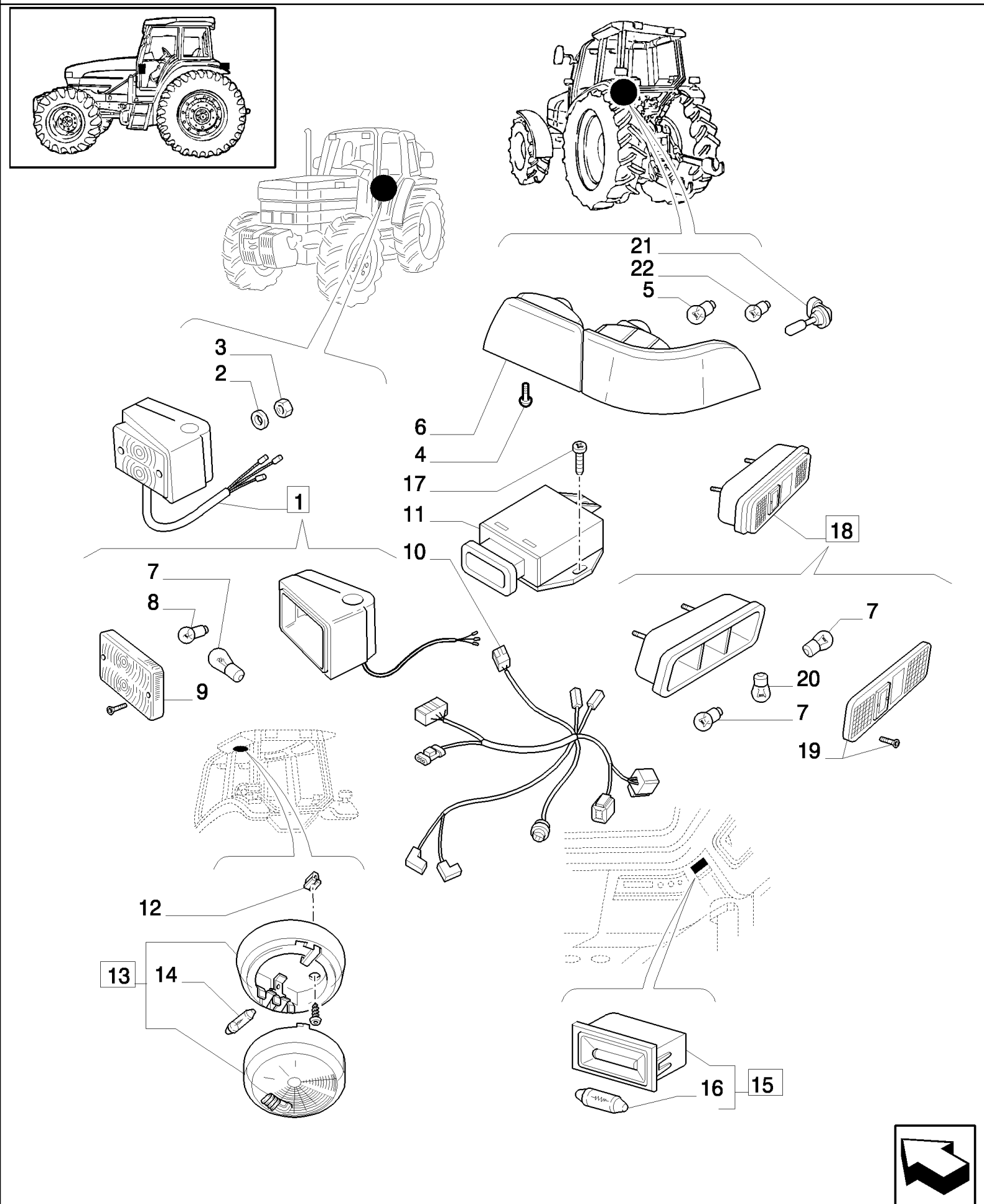


## MXM155 CASE IH TRACTOR (6/02- )

## 1.91.7(01) POWER SOCKETS AND CLOCK

сылка	Номер детали	Кол-во	Описание
1	83982634	1	SOCKET, POWER,
2	13272617	2	SCREW, Cross Pan Hd, M4 x 25,
3	5148133	1	LIGHTER, CIGARETTE,
4	5148132	1	NUT, LOCK, (5)
5	14143790	1	BULB, 12V-1.2W
6	5148131	1	HOUSING,
7	82002966	1	SOCKET, POWER, , BSN 226420
7	82039143	1	SOCKET, POWER, , ASN 226421
8	82001272	1	PLUG,
9	82003172	1	TERMINAL, Black
10	82003171	1	TERMINAL, Red
11	82016322	2	GASKET,
12	5187801	1	CLOCK, , -C5250
13	10794014	2	NUT, M4, CI 8,
14	14496201	2	WASHER, 4 x 9
15	82001273	1	CONNECTOR, ELEC, MXM175, MXM190
16	82003173	1	BEZEL,
17	86508819	1	CONNECTOR, ELEC, Male
18	87379338	1	CLOCK, , D5250-

1.91.7(02) LIGHTING

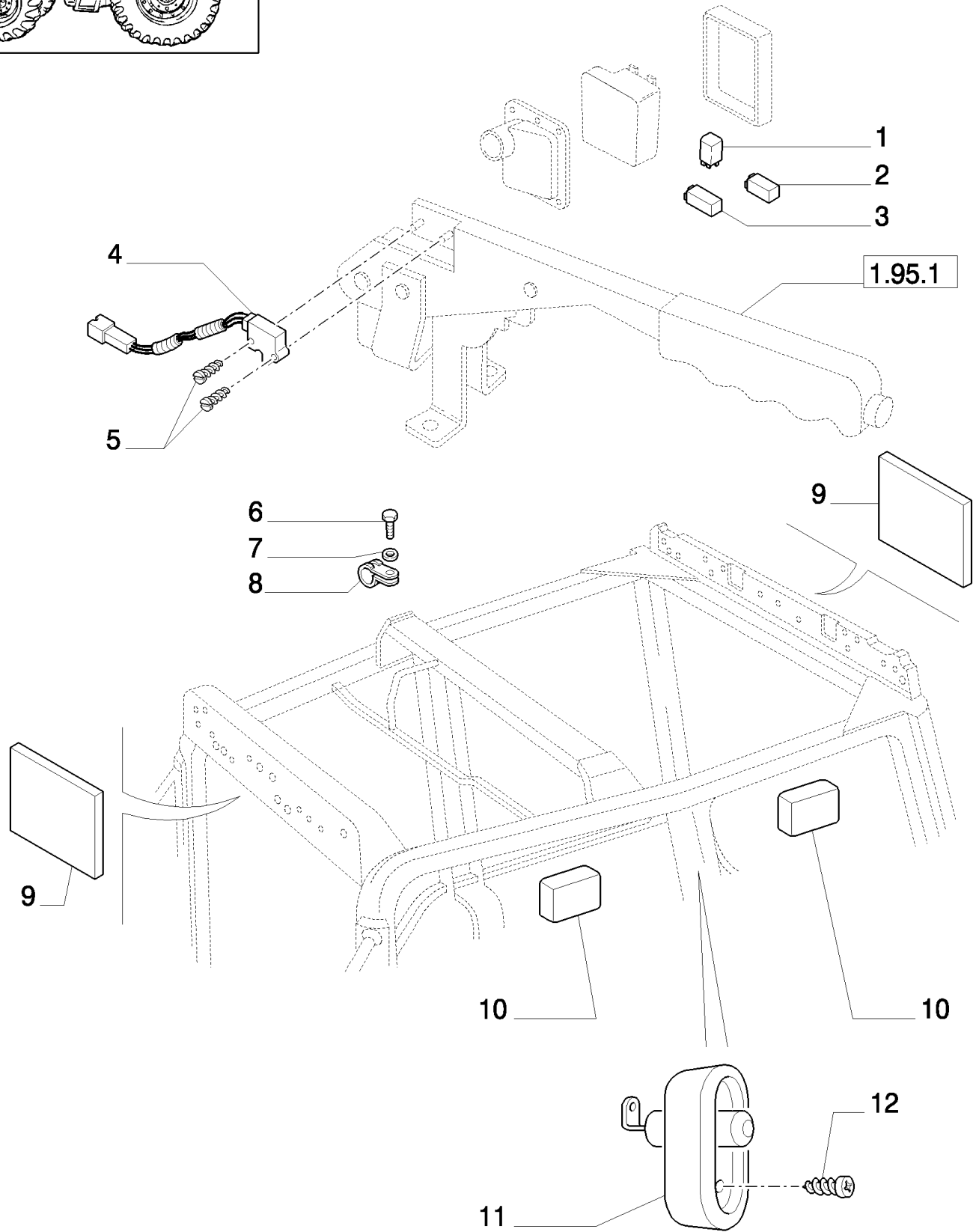
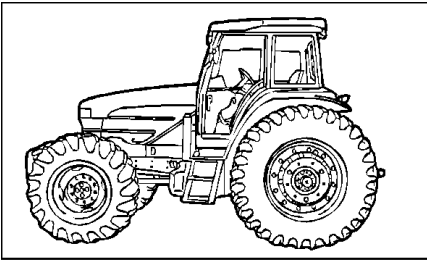


## MXM155 CASE IH TRACTOR (6/02- )

## 1.91.7(02) LIGHTING

сылка	Номер детали	Кол-во	Описание
1	82009121	1	LAMP, FRONT, LH
1	82009122	1	LAMP, FRONT, RH
2	12605279	4	WASHER,
3	14084114	4	NUT, M5 x .8, Flg,
4	82880748	6	SCREW, Pan Hd, M6 x 2 x 14
5	3131227R1	2	BULB, P25-1, 12V, 25W, 12V-21W
6	279226A1	1	LAMP, TAIL, RH, Stop & Turn, Incl. 5, 21, 22
6	279225A1	1	LAMP, TAIL, LH, Stop & Turn, Incl. 5, 21, 22
6	357540A1	1	LAMP, TAIL, RH, Stop & Turn, Incl. 5, 22, NASO
6	357541A1	1	LAMP, TAIL, LH, Stop & Turn, Incl. 5, 22, NASO
7	14148190	AR	BULB, 21W
8	10857790	AR	BULB, 12V, 5W
9	71316700	2	LENS,
10	82028416	2	HARNESS, WIRE, , -C5064
10	87306952	2	HARNESS, WIRE, , D5064-
11	47127173	1	FLASHER UNIT, NASO, -C5453
11	87373529	1	FLASHER UNIT, Turn Indicator
11	82038684	1	FLASHER UNIT, VAR. 007, D5453-
12	83906832	2	NUT,
13	83990551	1	LAMP, CEILING,
14	80470016	1	BULB,
15	82003144	1	LIGHT, INTERIOR,
16	82003147	1	BULB,
17	15931011	2	SCREW, SELF TAP, Pan Hd, M8 x 13,
18	82007635	2	LAMP, MXM120, MXM130, MXM140, W/Mech. Trans 20 x 16 and MXM175, MXM190
19	82004451	2	LENS, MXM120, MXM130, MXM140, W/Mech. Trans 20 x 16 and MXM175, MXM190
20	14149590	AR	BULB, 10W
21	323094A1	2	BULB, 894-12V (37W-Halogen)
22	279916A1	2	BULB, 12.8V - 21 AMP

1.91.7(03) LIGHTING

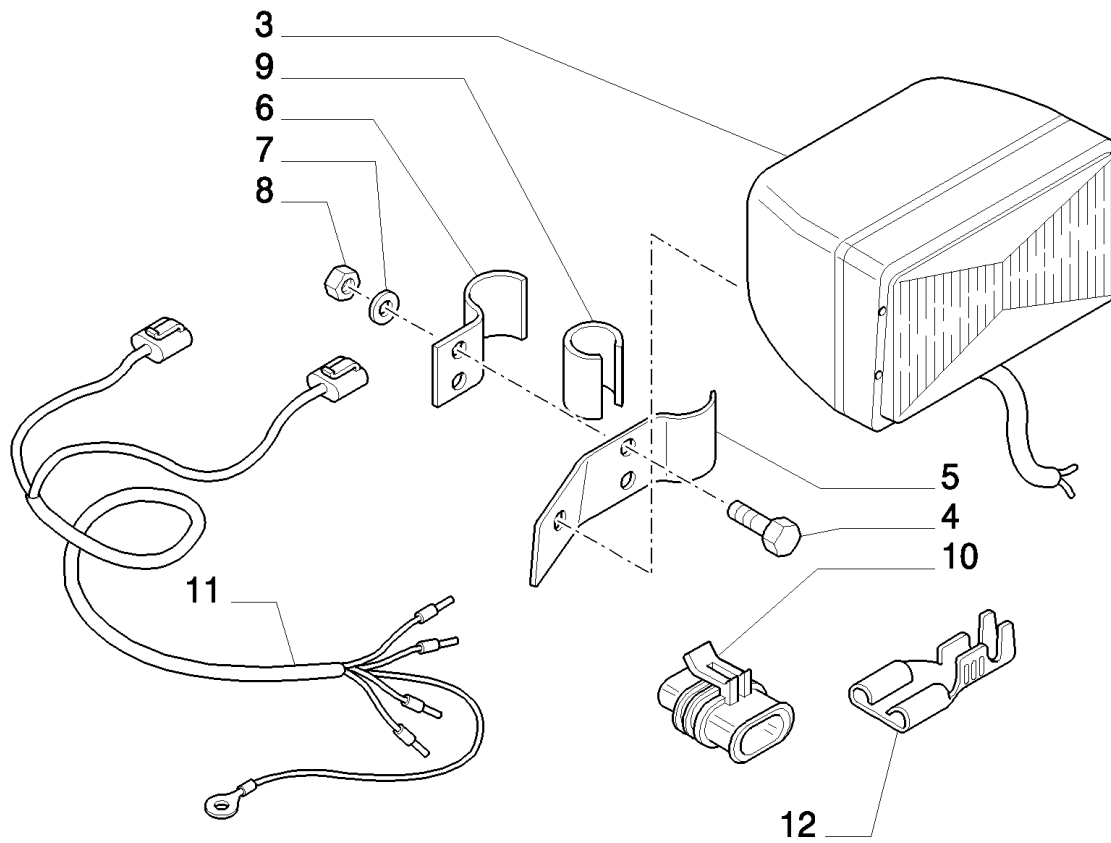
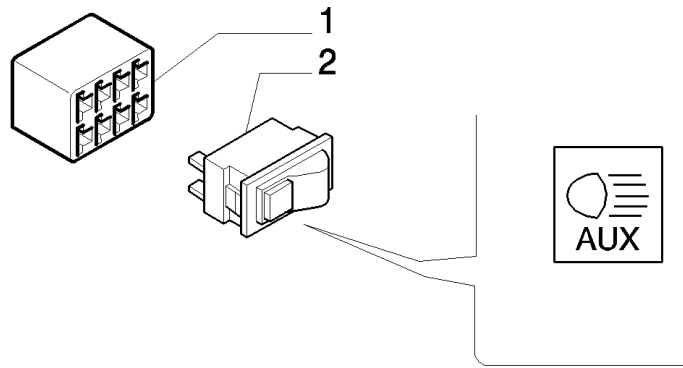
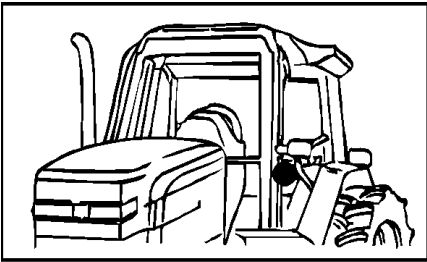




## MXM155 CASE IH TRACTOR (6/02- )

## 1.91.7(03) LIGHTING

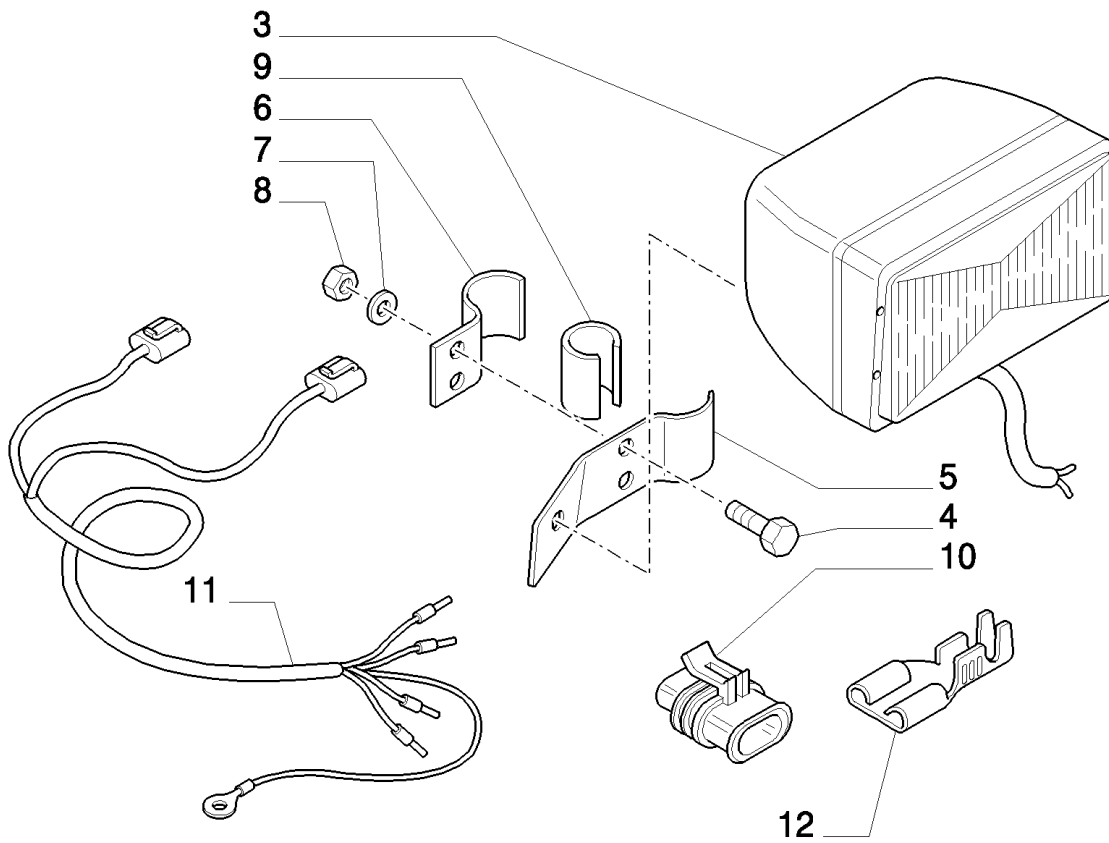
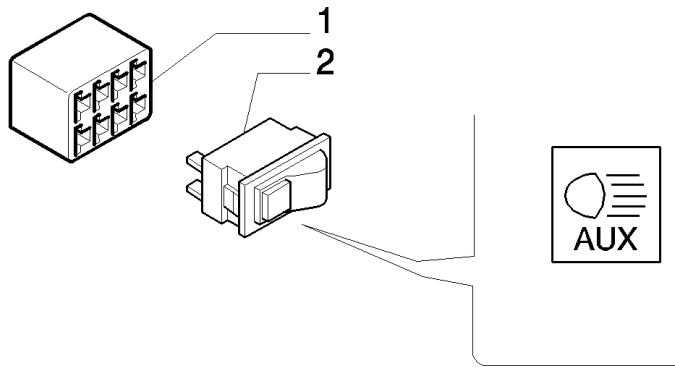
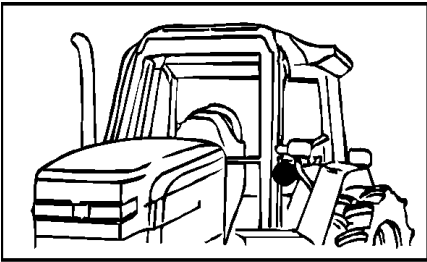
сылка	Номер детали	Кол-во	Описание
1	83982680	1	RELAY,
2	83990084	1	RELAY, 40A
3	83990086	1	RELAY, 20A, Ignition Load
4	82005257	1	SWITCH, Handbrake Warning, 3 wires, MXM120, MXM130, MXM140, W/Mec. Trans. 20 x 16
4	87364942	1	SWITCH, Handbrake Warning
5	82007240	2	SCREW,
6	16043024	2	BOLT, Hex, M8 x 12, 8.8, Full Thd,
7	14496504	2	WASHER, M8 x 17 x 1.6,
8	82010899	2	CLAMP,
9	82025862	2	DECAL,
10	82002126	2	INSULATOR,
11	83961521	2	SWITCH, Door Light
12	15903804	2	SCREW, SELF TAP, Cross Pan Hd, M4.8 x 13,



## MXM155 CASE IH TRACTOR (6/02- )

## 1.91.7/01 (VAR.177) AUXILIARY LIGHTS KIT (LEFT HAND DRIVE)

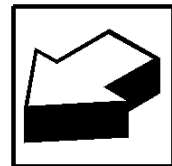
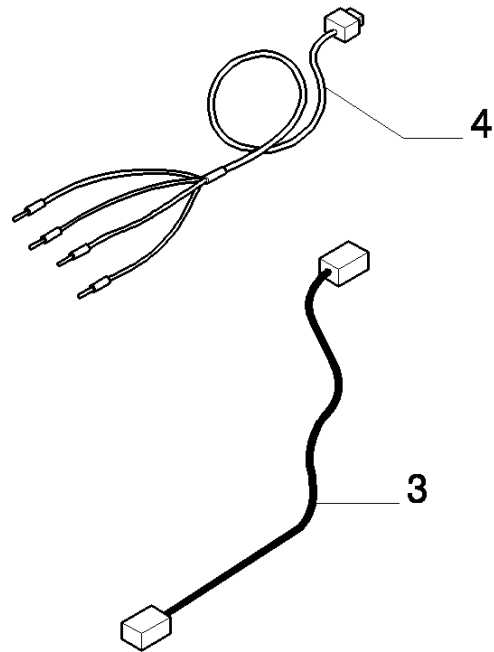
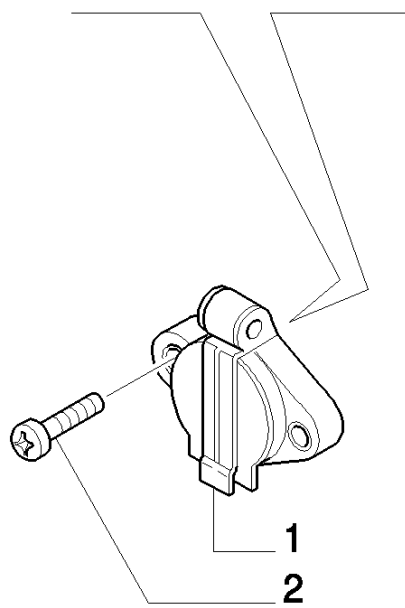
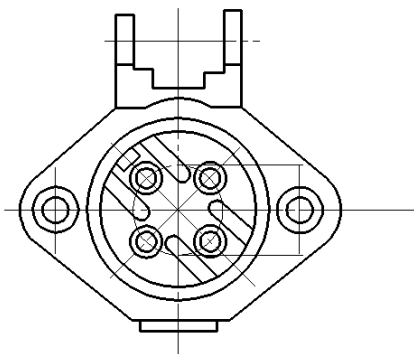
сылка	Номер детали	Кол-во	Описание
1	5148448	1	CONNECTOR, ELEC,
2	82019845	1	SWITCH, Auxiliary Lights
3	82019850	2	HEADLAMP, LH,
4	16043424	4	SCREW, Hex, M8 x 20, 8.8, Full Thd,
5	82020406	1	BRACKET, LH
5	82020407	1	BRACKET, RH
6	82020408	2	BRACKET,
7	14496504	4	WASHER, M8 x 17 x 1.6,
8	16104111	4	NUT, LOCK, M8 x 1.25, Cl 8,
9	82019994	2	PAD,
10	12453287	2	CONNECTOR, WIRE,
11	82019667	1	HARNESS, WIRE,
12	12062644	4	CABLE TERMINAL,



## MXM155 CASE IH TRACTOR (6/02- )

## 1.91.7/02 (VAR.177/1) AUXILIARY LIGHTS KIT (RIGHT HAND DRIVE)

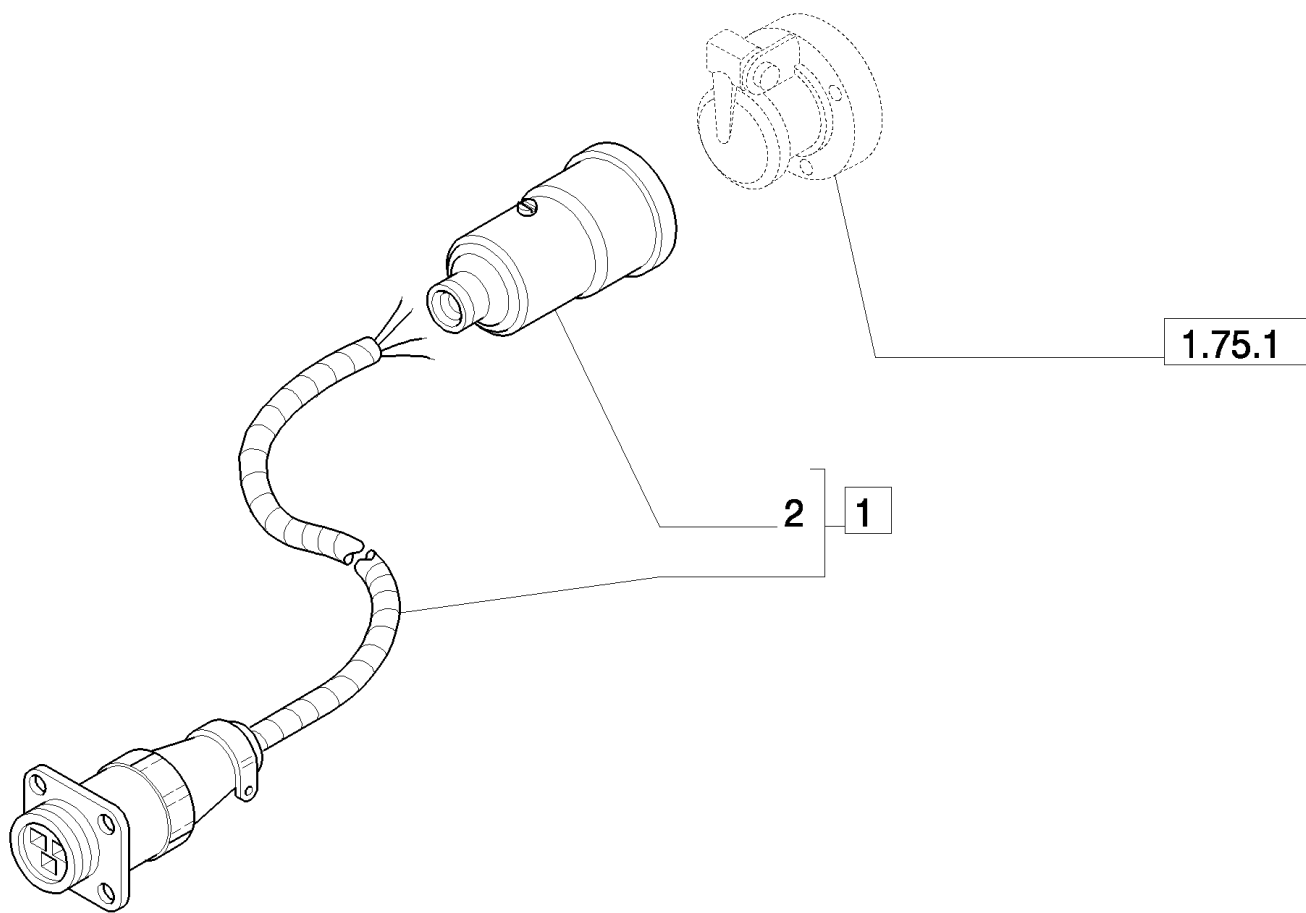
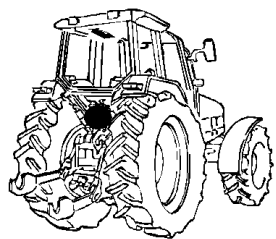
сылка	Номер детали	Кол-во	Описание
1	5148448	1	CONNECTOR, ELEC,
2	82019845	1	SWITCH, Auxiliary Lights
3	82019521	2	HEADLAMP, RH,
4	16043424	4	SCREW, Hex, M8 x 20, 8.8, Full Thd,
5	82020406	1	BRACKET, LH
5	82020407	1	BRACKET, RH
6	82020408	2	BRACKET,
7	14496504	4	WASHER, M8 x 17 x 1.6,
8	16104111	4	NUT, LOCK, M8 x 1.25, CI 8,
9	82019994	2	PAD,
10	12453287	2	CONNECTOR, WIRE,
11	82019667	1	HARNESS, WIRE,
12	12062644	4	CABLE TERMINAL,



MXM155 CASE IH TRACTOR (6/02- )

1.91.7/04 (VAR.774) 40 AMP FRONT IMPLEMENT SOCKET

сылка	Номер детали	Кол-во	Описание
1	83982634	1	SOCKET, POWER,
2	13272617	2	SCREW, Cross Pan Hd, M4 x 25,
3	82014359	1	HARNESS, WIRE, Implement Socket, Front
4	82014246	1	HARNESS, WIRE, Implement Socket



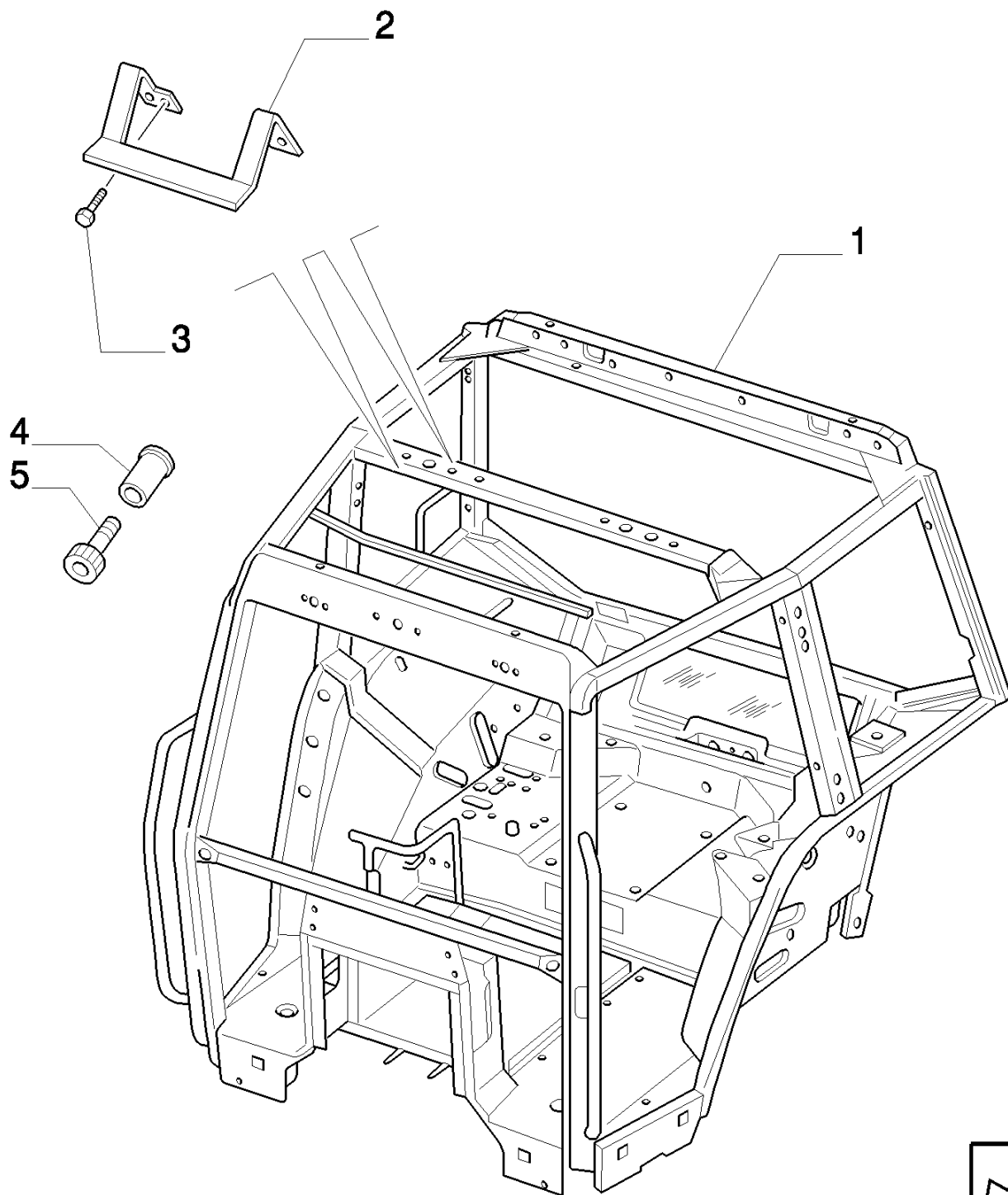
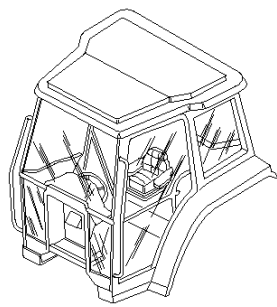


MXM155 CASE IH TRACTOR (6/02- )

1.91.7/05 (VAR.628) REAR AUXILIARY POWER SOCKET ADAPTOR "SAE"

сылка	Номер детали	Кол-во	Описание
1	82015690	1	HARNESS, WIRE, , Mating female plug is 86511459.
2	81864735	1	SOCKET, Male, 4 Pin

1.92.1 CAB FRAME



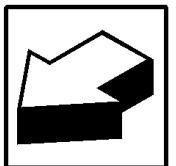
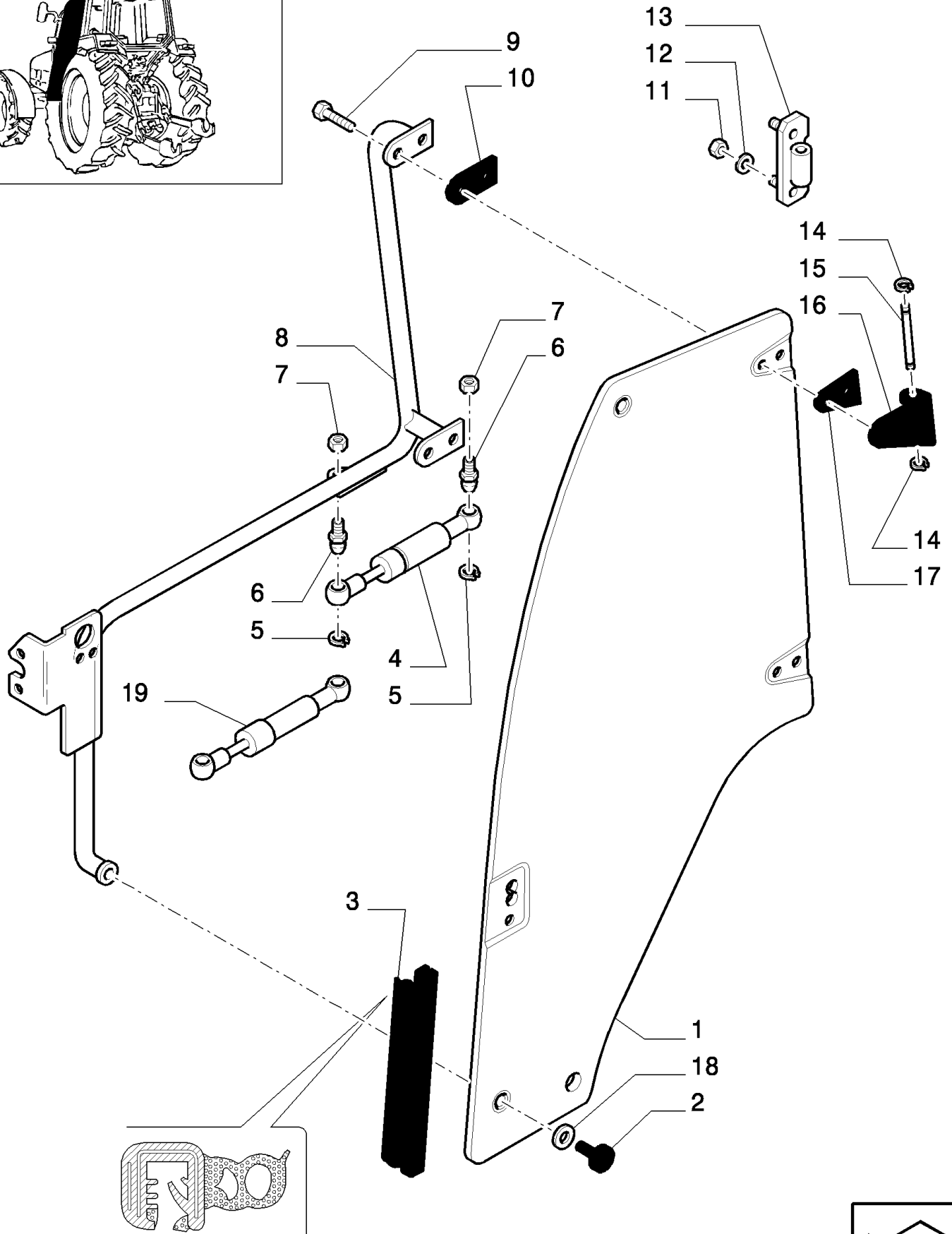
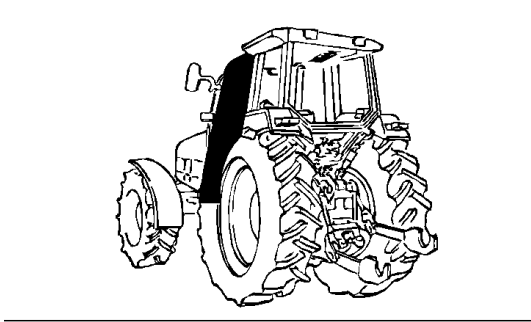
## MXM155 CASE IH TRACTOR (6/02- )

## 1.92.1 CAB FRAME

сылка	Номер детали	Кол-во	Описание
1	87302916	1	FRAME, CAB, MXM120, MXM130, MXM140, MXM155, BSN ACM263457
1	87350751	1	FRAME, CAB, MXM120, MXM130, MXM140, MXM155, BTW ACM263458 & ACM267842
1	87302914	1	FRAME, CAB, MXM175, MXM190, BSN ACM263457
1	87350745	1	FRAME, CAB, MXM175, MXM190, BTW ACM263458 & ACM267842
1	87341127	1	FRAME, CAB, MXM120, MXM130, MXM140, MXM155, ASN ACM267843
1	87341093	1	FRAME, CAB, MXM175, MXM190, ASN ACM267843
2	82013926	1	SUPPORT, MXM175, MXM190
3	13274411	2	SCREW, Cross Pan Hd, M5 x 20, MXM175, MXM190
4	82014551	3	NUT, M10 x 1.5 x 24.5, Rivet Type
5	14420121	3	SCREW, Hex Soc Hd, M10 x 25, 8.8,

D5212 Serial N.ACM263458 D5233 Serial N.ACM267843

1.92.2(01) DOORS



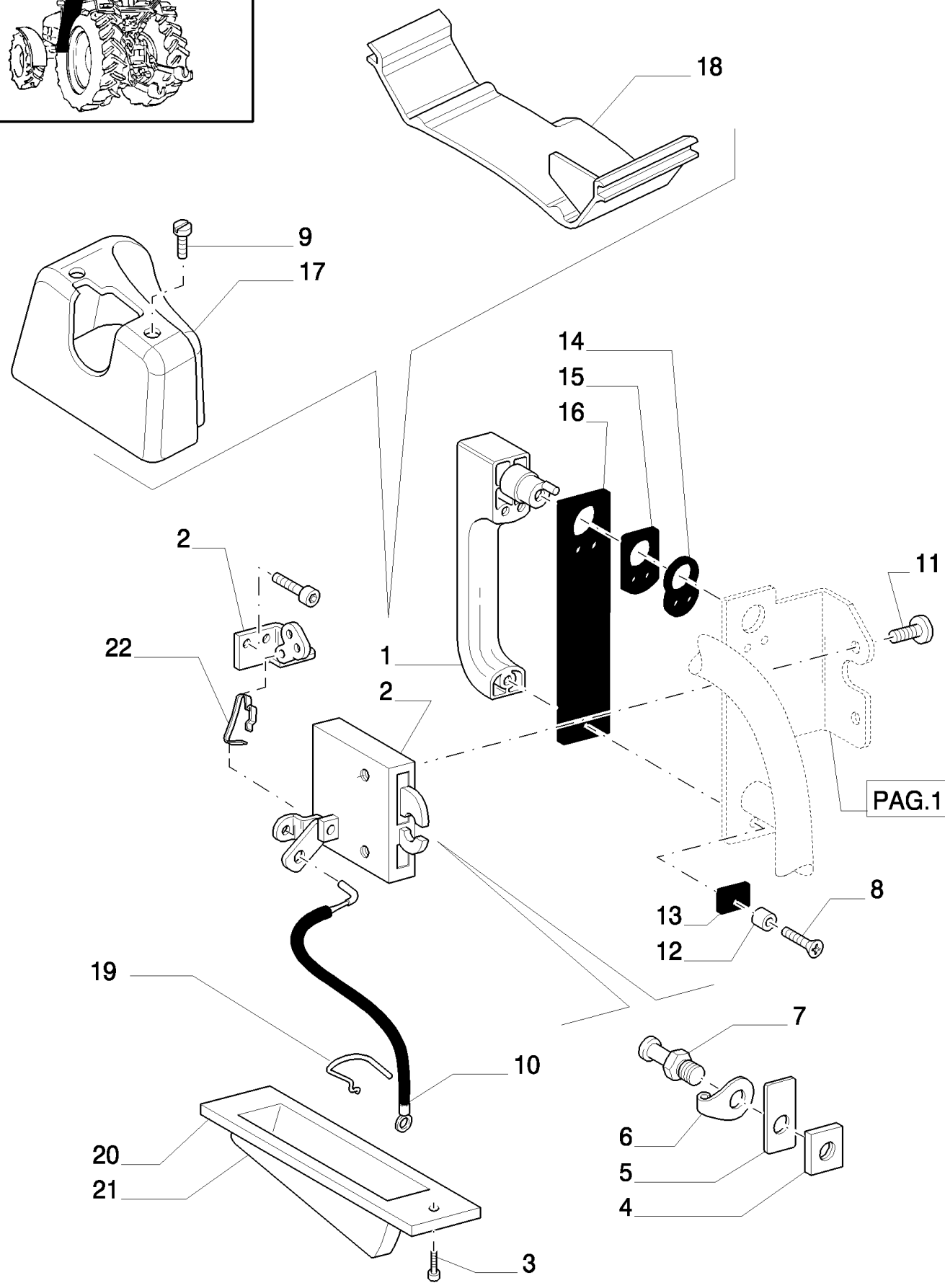
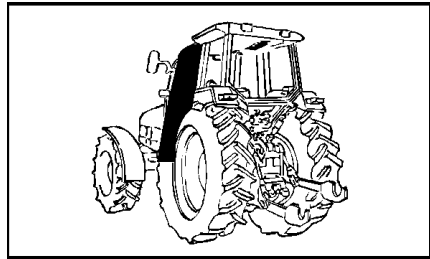
## MXM155 CASE IH TRACTOR (6/02- )

## 1.92.2(01) DOORS

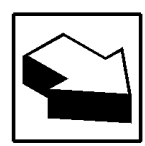
сылка	Номер детали	Кол-во	Описание
1	82036000	1	GLASS, Door, RH
1	82036001	1	GLASS, Door, LH
2	82013304	2	SCREW, M8 x 1.25 x 22
3	82016385	2	WEATHERSTRIP, 4220 mm lg
4	82027922	2	GAS STRUT, , -C5258
5	81869714	4	CLIP,
6	82000409	4	PIN, BALL,
7	16100811	4	NUT, M8, CI 8,
8	82018982	1	FRAME, RH
8	82018984	1	FRAME, LH
9	82025029	8	SCREW,
10	82016389	4	GASKET,
11	14048221	8	NUT, LOCK, M8 x 1.25, CI 10,
12	83984751	8	WASHER, M8
13	82018444	2	HINGE, Lower, Upper for RH door and Lower for LH door
13	82018445	2	HINGE, Upper, Lower for RH door and Upper for LH door
14	11065676	8	RING, SNAP, M8, Ext,
15	83994405	4	PIN,
16	82016386	2	HINGE, Upper, -C4887
16	82035978	2	HINGE, Upper, Lower for RH door and Upper for LH door, D4887-
16	82016387	2	HINGE, Lower, -C4887
16	82035979	2	HINGE, Lower, Upper for RH door and Lower for LH door, D4887-
17	82016391	4	GASKET, , -C4887
17	82035977	4	GASKET, , D4887-
18	81868323	2	WASHER,
19	87378324	1	GAS STRUT, , D5258-

D4887 Serial Numbers: 220994 for LWB W/Fixed screen, 220961 for SWB W/Fixed screen, 221222 for LWB W/Opening screen, 220942 for SWB W/Opening screen D5258 After Date 07 December 2005

1.92.2(02) DOORS



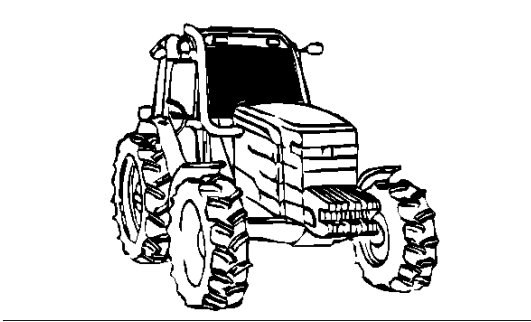
PAG.1



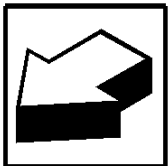
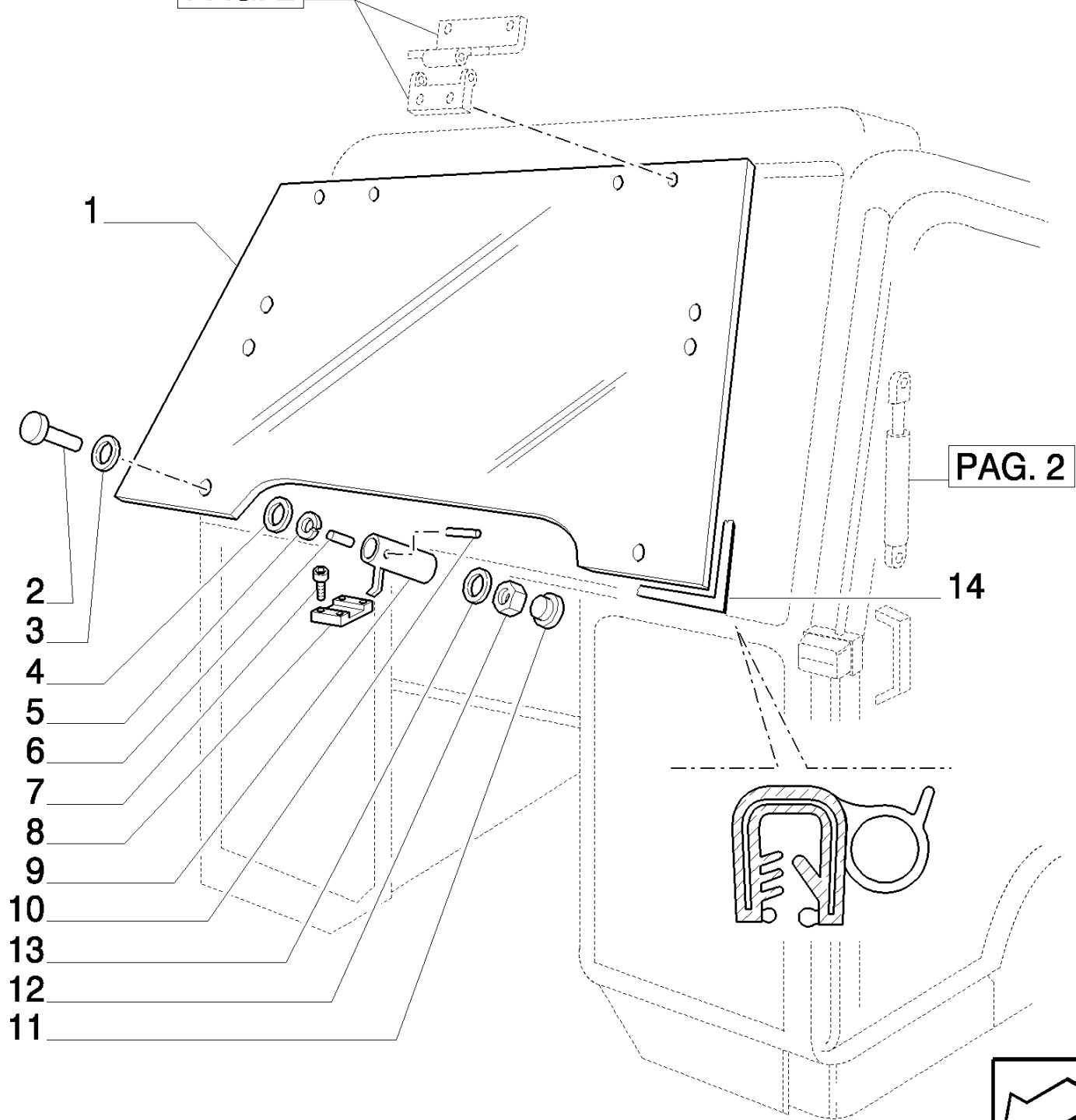
## MXM155 CASE IH TRACTOR (6/02- )

## 1.92.2(02) DOORS

сылка	Номер детали	Кол-во	Описание
1	82019604	2	HANDLE,
2	82016379	1	LOCK, RH, Incl. 10, 19, 20, 21
2	82016412	1	LOCK, LH, Incl. 10, 19, 20, 21
3	15688001	2	SCREW, SELF TAP, Cross Pan Hd, M4.2 x 13,
4	83994378	2	NUT, M12 x 1
5	82018460	2	PLATE,
6	82019370	2	COVER,
7	83969563	2	LATCH,
8	10902824	6	BOLT, Hex, M6 x 30, 8.8,
9	83956457	4	SCREW, Hex Flat Hd, M4 x 10, 4.8,
10	82016403	2	CABLE,
11	14442031	4	SCREW, Hex Soc Flat Hd, M8 x 20, 10.9,
12	83961987	2	SPACER, 6.2 x 12.5 x 10
13	5183634	2	GASKET,
14	83994024	2	GASKET,
15	82010403	2	GASKET,
16	82016392	2	GASKET,
17	82016380	1	COVER, Door Latch, RH
17	82016450	1	COVER, Door Latch, LH
18	82018465	1	COVER, Infill Door Cover, RH, Shown
18	82018466	1	COVER, Infill Door Cover, LH
19	82035974	2	SPRING,
20	82016408	2	HOUSING,
21	82016406	2	LEVER,
22	82035974	1	SPRING,



PAG. 2

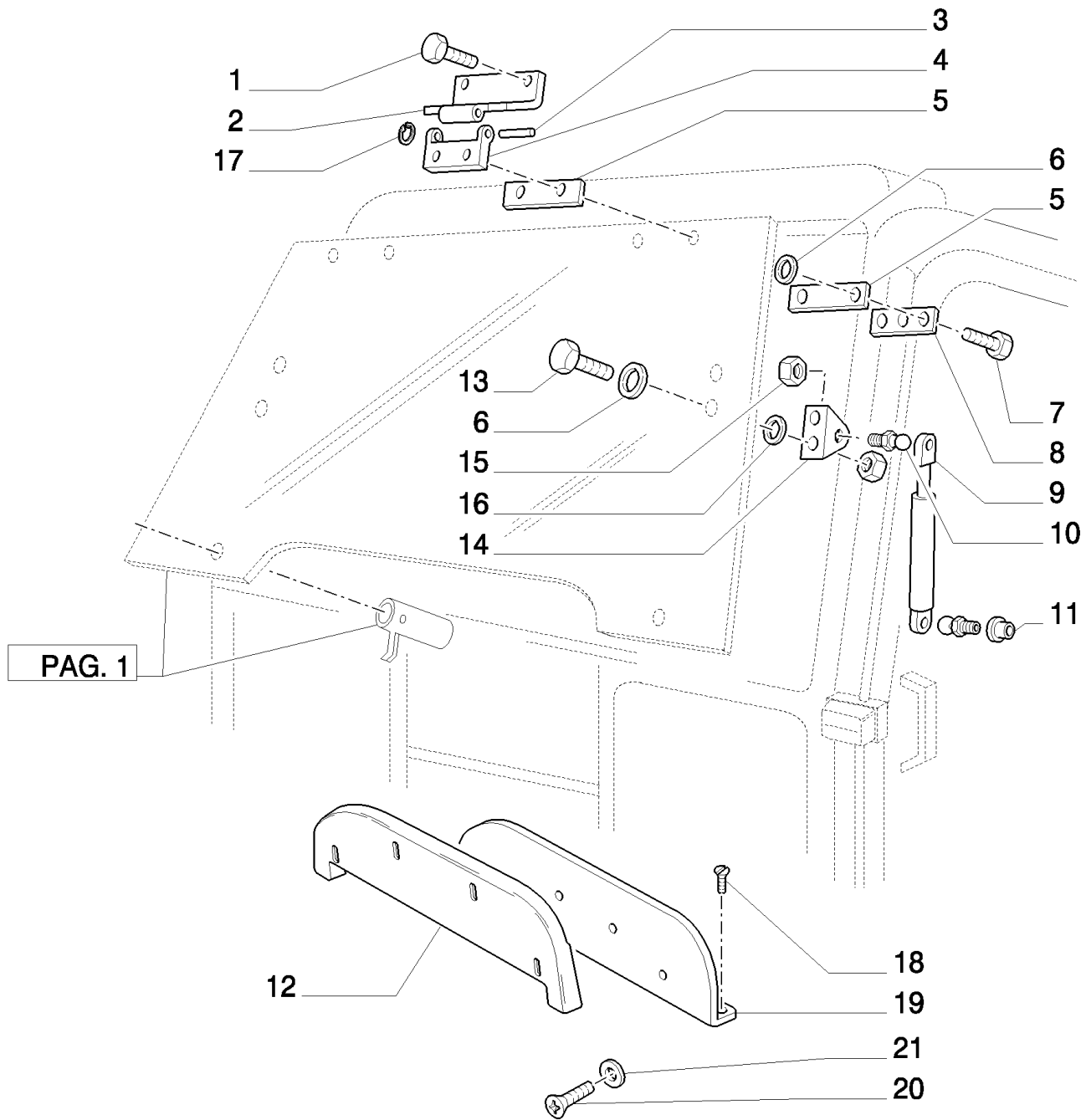
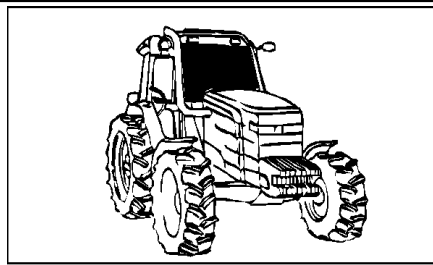




## MXM155 CASE IH TRACTOR (6/02- )

## 1.92.3(01) (VAR.640) HINGED WINDSHIELD

сылка	Номер детали	Кол-во	Описание
1	82000488	1	WINDSHIELD,
2	83995345	2	SCREW, M12 x 1.75 x 50
3	81865223	6	WASHER,
4	83995356	2	BUSHING,
5	83995286	2	BUSHING,
6	83995351	2	SPACER,
7	15688607	4	SCREW, SELF TAP, Cross Pan Hd, M4.8 x 25,
8	82000919	2	BLOCK,
9	87541759	2	HANDLE,
10	81865250	2	PIN,
11	83961986	2	PLUG,
12	81853287	2	NUT, LOCK, M12 x 1.75, CI 8,
13	14499604	2	WASHER, M12 x 20 x 2.5,
14	82008625	1	WEATHERSTRIP,

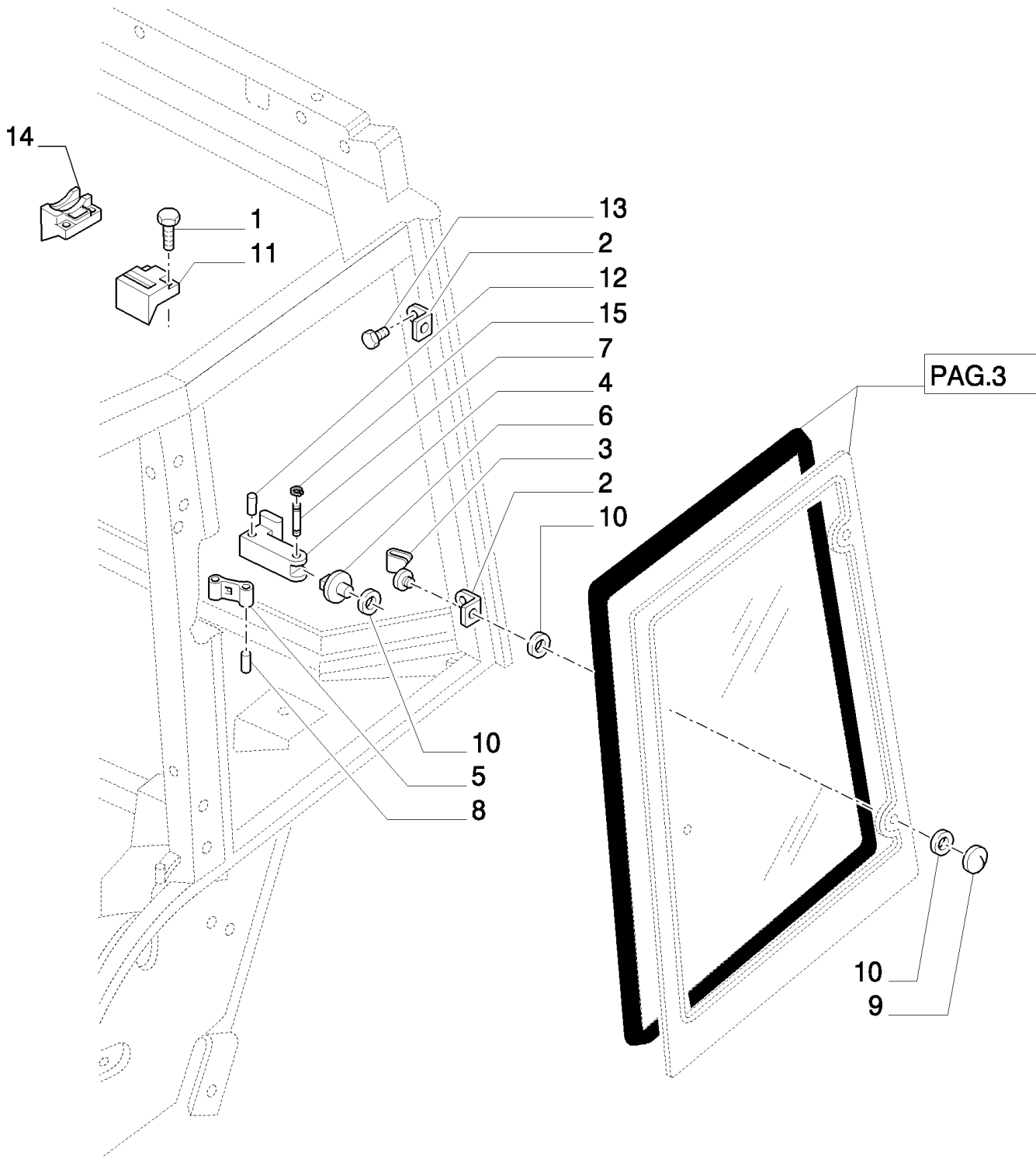
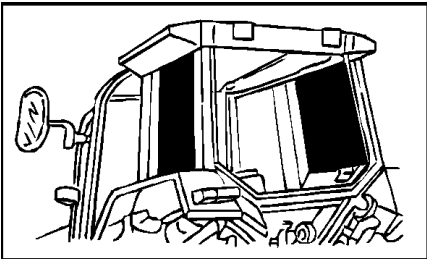


## MXM155 CASE IH TRACTOR (6/02- )

## 1.92.3(02) (VAR.640) HINGED WINDSHIELD

сылка	Номер детали	Кол-во	Описание
1	16200624	4	BOLT, Hex Lock, M8 x 25,
2	82001003	2	BRACKET,
3	82014487	2	PIN,
4	82000317	2	HINGE,
5	81865253	4	SEAL,
6	81865261	4	WASHER,
7	82007919	4	SCREW, M6 x 20
8	81873554	2	HINGE,
9	82001505	2	GAS STRUT,
10	83952214	4	PIN, BALL,
11	82850542	2	NUT,
12	82009503	1	PANEL,
12	82030387	1	PANEL, , Only for Suspension Cab
13	82013304	4	SCREW, M8 x 1.25 x 22
14	82001004	2	BRACKET,
15	14048221	6	NUT, LOCK, M8 x 1.25, CI 10,
16	81872309	4	SPACER,
17	11087871	2	CIRCLIP, M7,
18	83929012	AR	SCREW,
19	82006735	1	BRACKET,
20	15687901	4	SCREW, SELF TAP, Cross Pan Hd, M4.2 x 9.5,
21	14496301	4	WASHER, M5 x 10

1.92.4(01) CAB GLASS AND RELEVANT PARTS



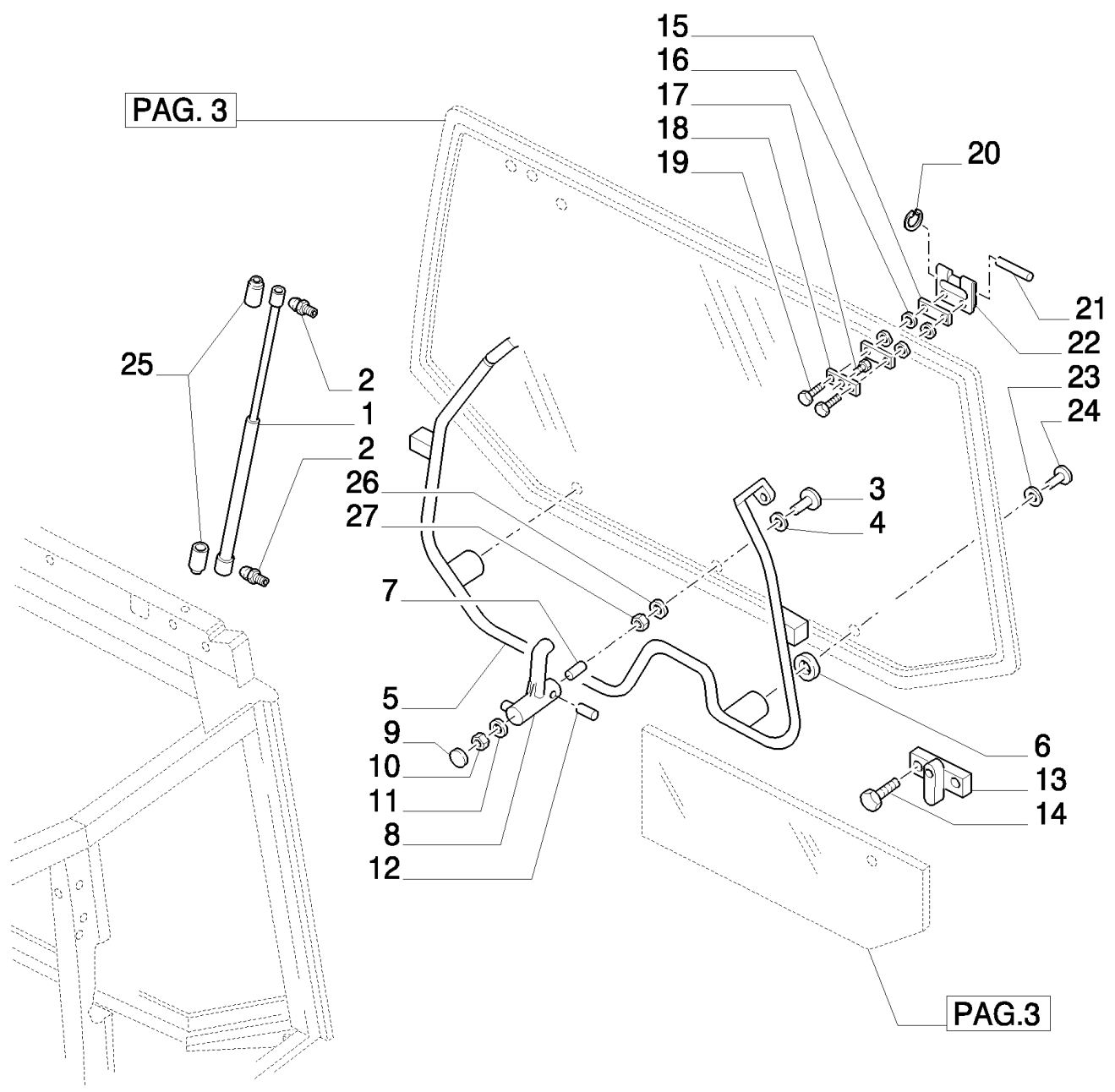
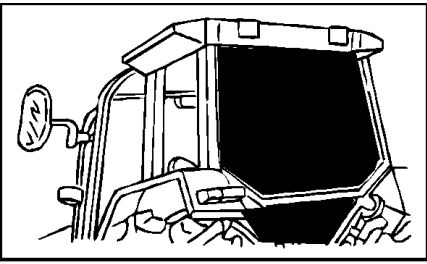
## MXM155 CASE IH TRACTOR (6/02- )

## 1.92.4(01) CAB GLASS AND RELEVANT PARTS

сылка	Номер детали	Кол-во	Описание
1	15688607	2	SCREW, SELF TAP, Cross Pan Hd, M4.8 x 25,
2	83994424	2	HINGE, RH
2	83994426	2	HINGE, LH
3	81865241	2	COVER, LH
3	81865242	2	COVER, RH
4	81871681	2	HANDLE,
5	81869863	2	ARM,
6	81865236	2	BRACKET,
7	87367620	2	PIN,
8	82012892	2	PIN,
9	83995335	6	RETAINER,
10	83995300	12	RING,
11	81866997	1	BRACKET, , -C4990
12	82012893	2	PIN,
13	81875681	8	SCREW, M6 x 16
14	87306541	1	BRACKET, , D4990-
15	11087671	4	CIRCLIP, M5,

D4990 From Date 14/01/04

1.92.4(02) CAB GLASS AND RELEVANT PARTS

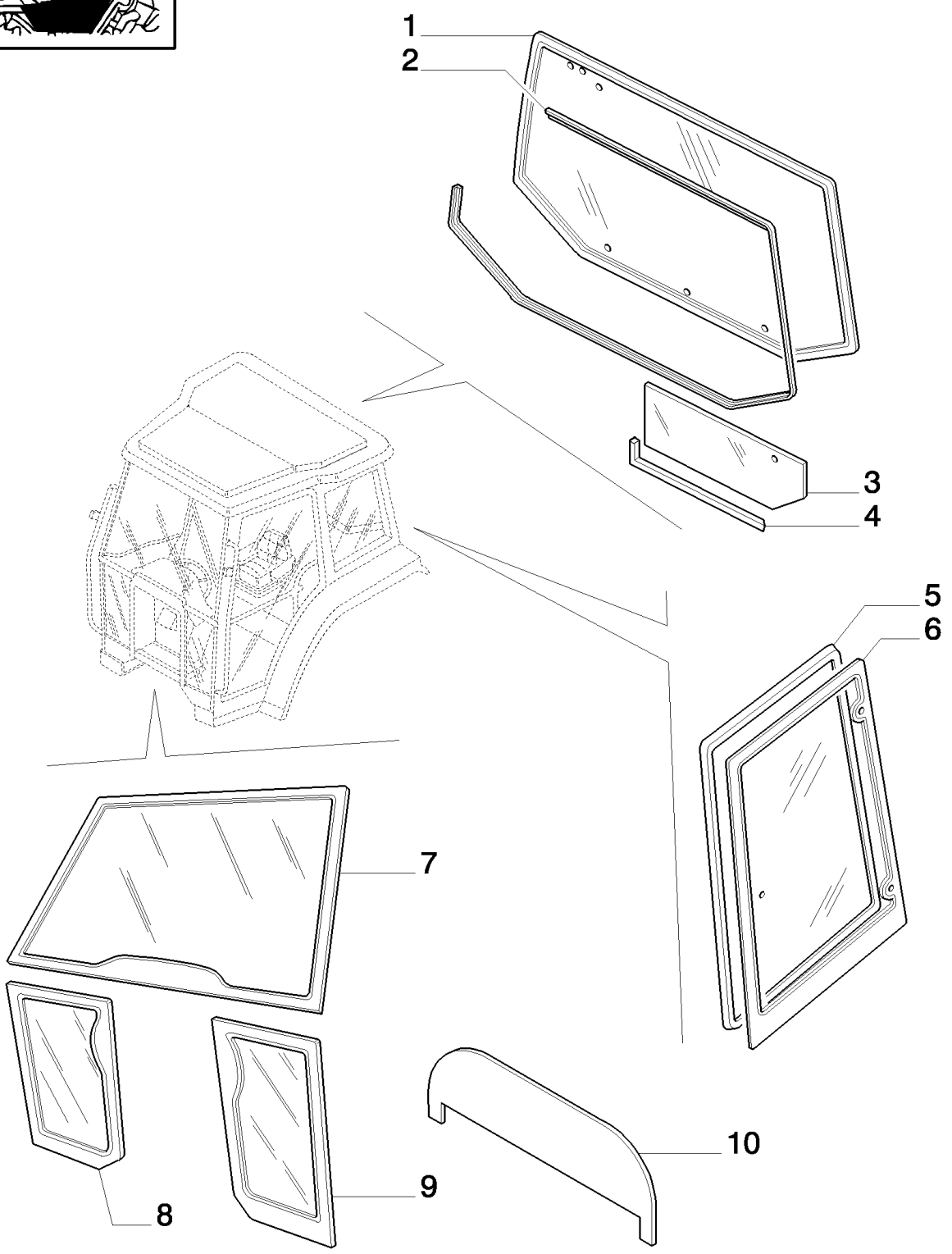
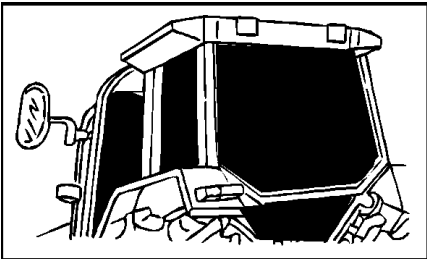


## MXM155 CASE IH TRACTOR (6/02- )

## 1.92.4(02) CAB GLASS AND RELEVANT PARTS

сылка	Номер детали	Кол-во	Описание
1	82019393	2	GAS STRUT,
2	83952214	2	PIN, BALL,
3	83995345	1	SCREW, M12 x 1.75 x 50
4	81865223	2	WASHER,
5	82013085	1	HANDLE,
6	83995286	1	BUSHING,
7	83995351	1	SPACER,
8	87541759	1	HANDLE,
9	83961986	1	PLUG,
10	81853287	1	NUT, LOCK, M12 x 1.75, Cl 8,
11	14499604	1	WASHER, M12 x 20 x 2.5,
12	81865250	1	PIN,
13	82000487	2	LATCH,
14	15909401	4	SCREW, SELF TAP, Cross Oval Hd, M3.5 x 19,
15	81865253	4	SEAL,
16	81865261	4	WASHER,
17	13303514	2	SCREW, Phil Flat Hd, M8 x 20, 5.8,
18	81873554	2	HINGE,
19	82007919	4	SCREW, M6 x 20
20	11087871	2	CIRCLIP, M7,
21	82014487	2	PIN,
22	82000317	2	HINGE,
23	81868323	4	WASHER,
24	82013304	2	SCREW, M8 x 1.25 x 22
25	82019395	4	GASKET,
26	83995356	1	BUSHING,
27	83995286	1	BUSHING,

1.92.4(03) CAB GLASS AND RELEVANT PARTS



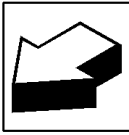
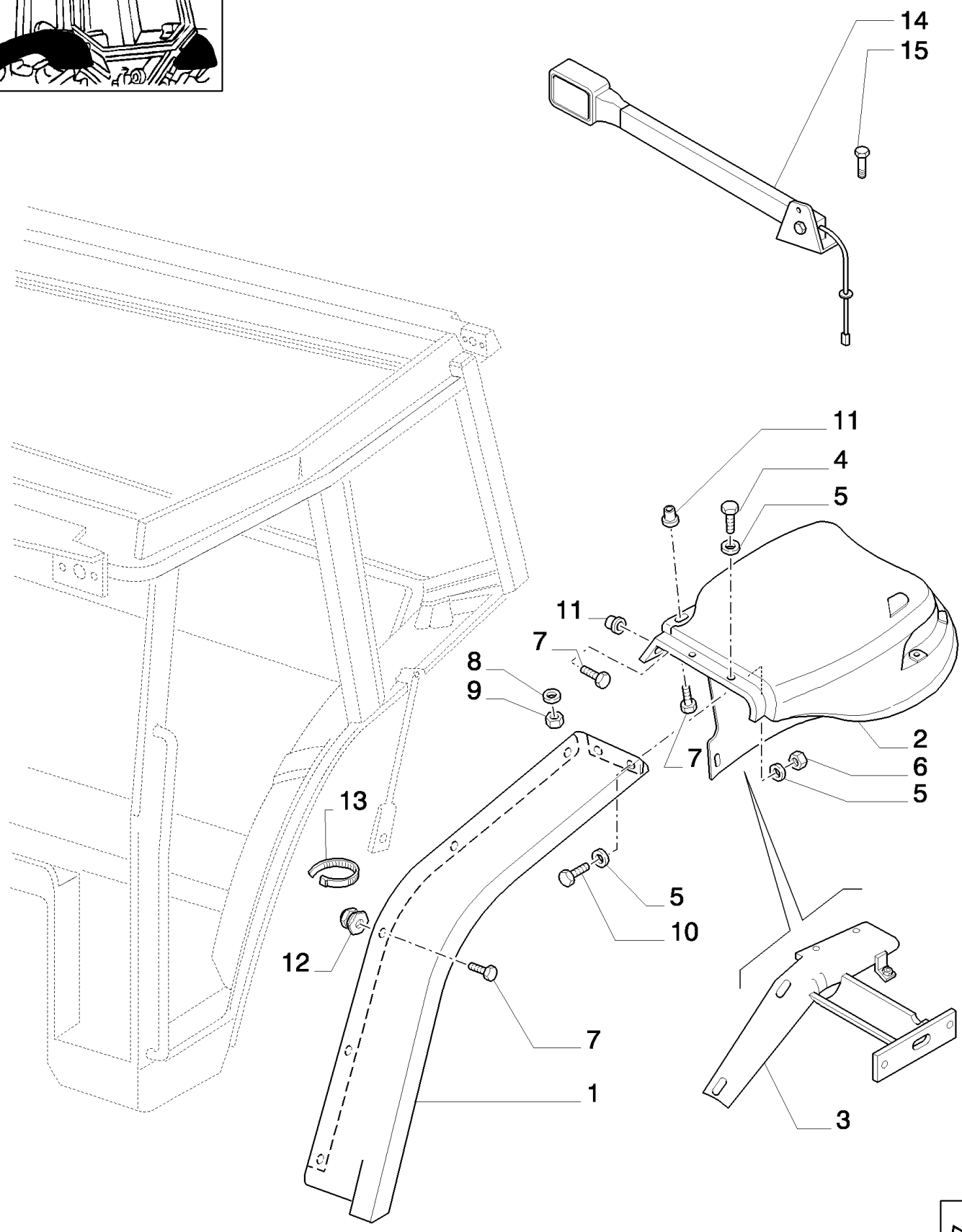
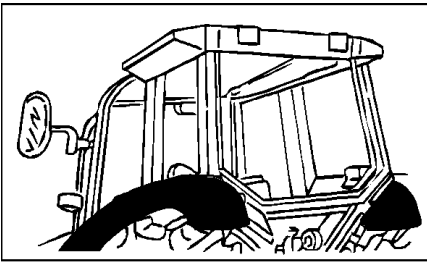


## MXM155 CASE IH TRACTOR (6/02- )

## 1.92.4(03) CAB GLASS AND RELEVANT PARTS

сылка	Номер детали	Кол-во	Описание
1	82014988	1	GLASS, Rear Window
2	82012294	1	GASKET,
3	82000485	1	GLASS,
4	82008627	1	GASKET,
5	82009814	2	GASKET,
6	82029320	1	GLASS, RH
6	82029321	1	GLASS, LH
7	82000296	1	GLASS,
8	82001924	1	GLASS, RH
9	82001923	1	GLASS, LH
10	82030770	1	SOFT TRIM,

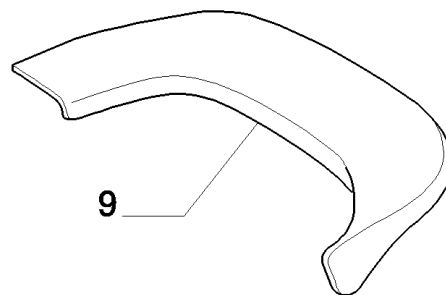
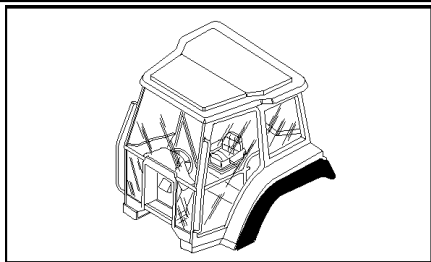
1.92.5 REAR FENDERS



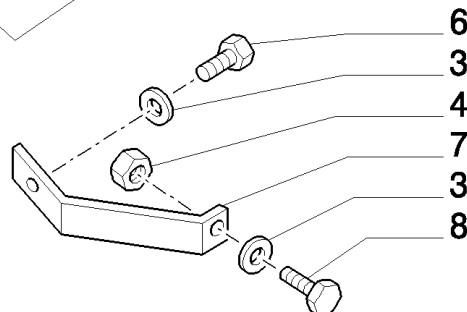
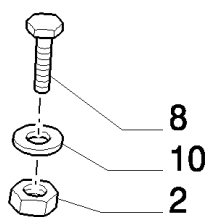
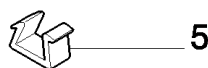
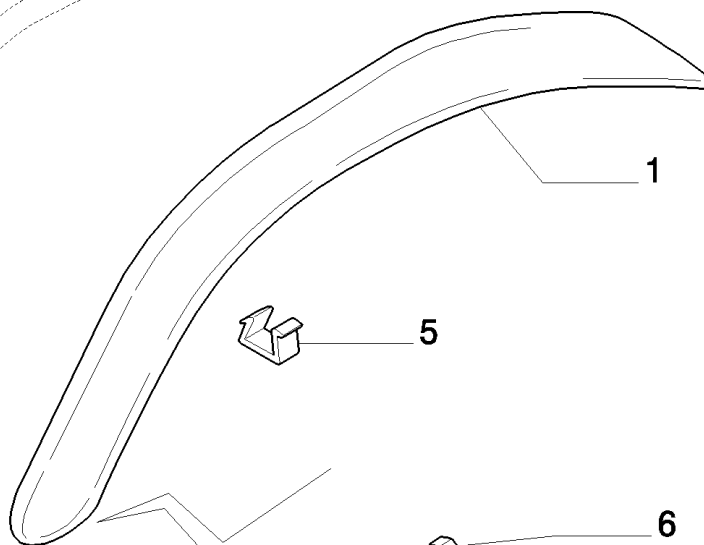
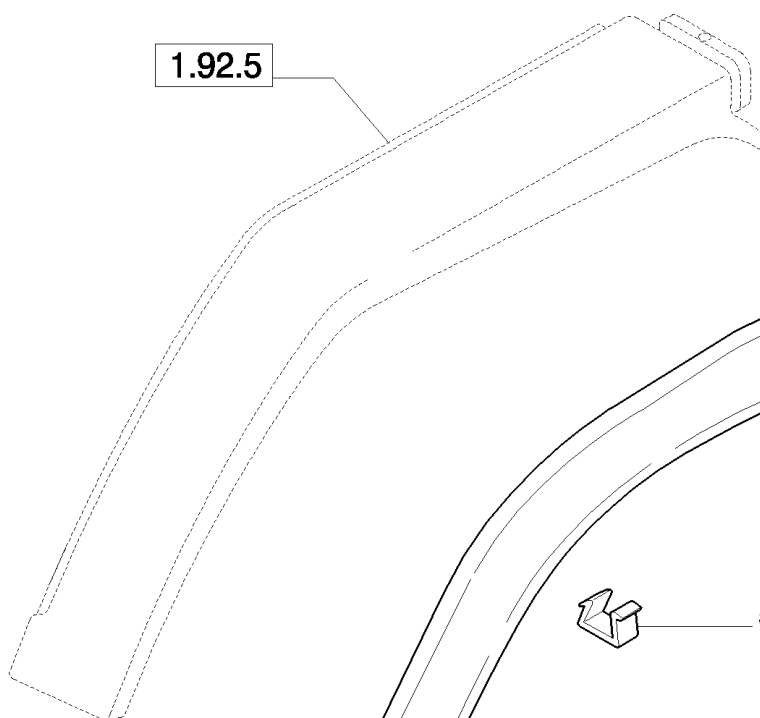
## MXM155 CASE IH TRACTOR (6/02- )

## 1.92.5 REAR FENDERS

сылка	Номер детали	Кол-во	Описание
1	82023529	1	PANEL, RH, Red
1	82023573	1	PANEL, LH, Red
1	82013935	1	PANEL, RH, Black
1	82013936	1	PANEL, LH, Black
2	82024249	1	FENDER, REAR, RH, Red
2	82024250	1	FENDER, REAR, LH, Red
2	82030141	1	FENDER, REAR, RH, Black
2	82030140	1	FENDER, REAR, LH, Black
3	82029126	1	SUPPORT, RH
3	82029127	1	SUPPORT, LH
4	86511830	4	SCREW, Cross Pan Hd, M6 x 20,
5	12647601	12	WASHER, M6 x 16 x 2,
6	15896221	4	NUT, M6, CI 10,
7	83998888	12	SCREW, HH, W/Washer, M8 x 1.25 x 25
8	83903813	4	SPACER,
9	16104511	4	NUT, LOCK, M8 x 1.25, CI 8.8,
10	10902424	4	BOLT, Hex, M6 x 20, 8.8, Full Thd,
11	82850542	6	NUT, M8
12	81864782	8	RETAINER, M8
13	5112712	4	CLIP, HOSE, M4.8 x 283,
14	82028803	1	KIT, RH
14	82028804	1	KIT, LH
15	10902624	4	BOLT, Hex, M6 x 25, 8.8, Full Thd,



1.92.5

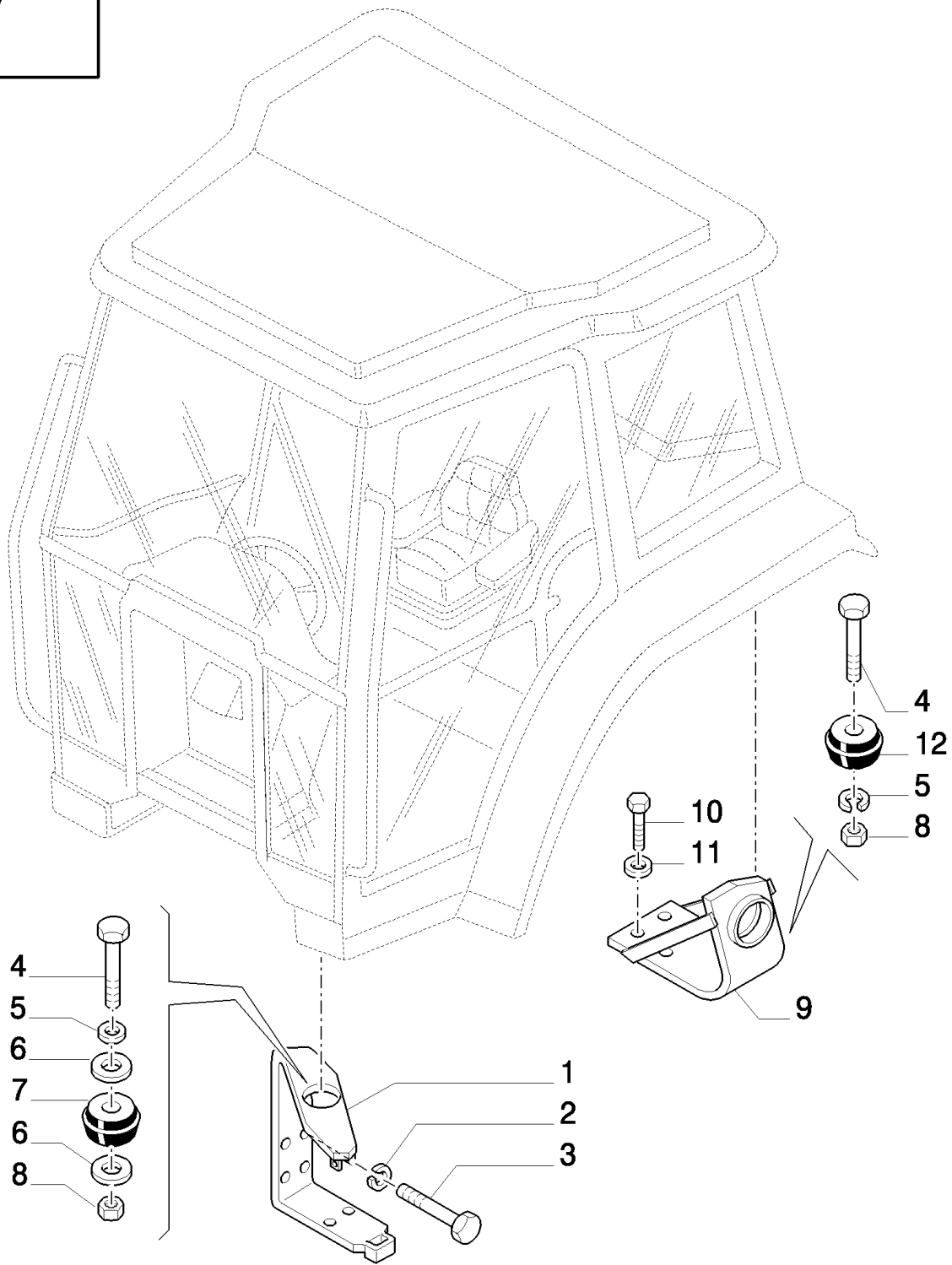
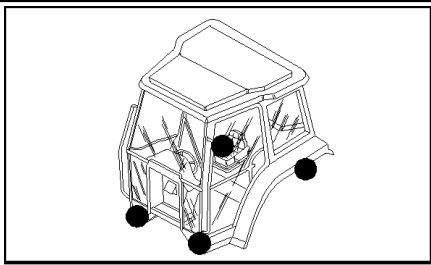


MXM155 CASE IH TRACTOR (6/02- )

1.92.5/01(01) (VAR. 869) MUDGUARDS SIDE SHIELD

сылка	Номер детали	Кол-во	Описание
1	82024492	1	EXTENSION, FENDER, RH
1	82024493	1	EXTENSION, FENDER, LH
2	15896221	1	NUT, M6, CI 10,
3	12647601	4	WASHER, M6 x 16 x 2,
4	15896221	3	NUT, M6, CI 10,
5	82010838	38	CLIP,
6	86511830	2	SCREW, Cross Pan Hd, M6 x 20,
7	82008692	1	BRACKET, RH
7	82008693	1	BRACKET, LH
8	10902424	2	BOLT, Hex, M6 x 20, 8.8, Full Thd,
9	82024498	1	EXTENSION, FENDER, Rear, RH
9	82024499	1	EXTENSION, FENDER, Rear, LH
10	10519404	2	WASHER, M6 x 11.95 x 1.6,

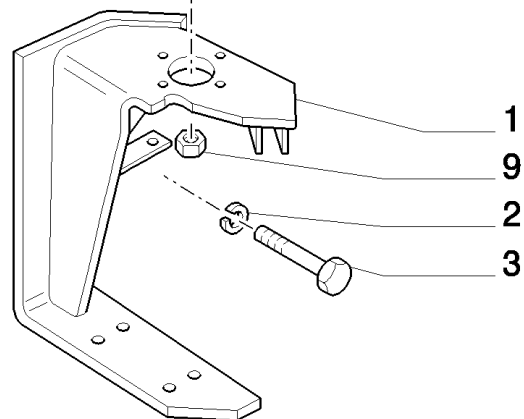
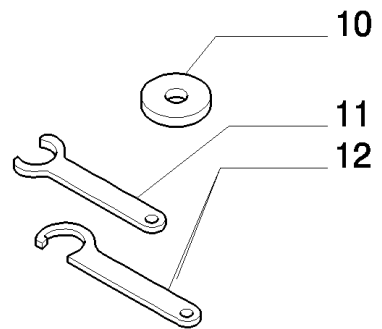
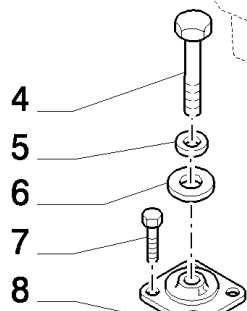
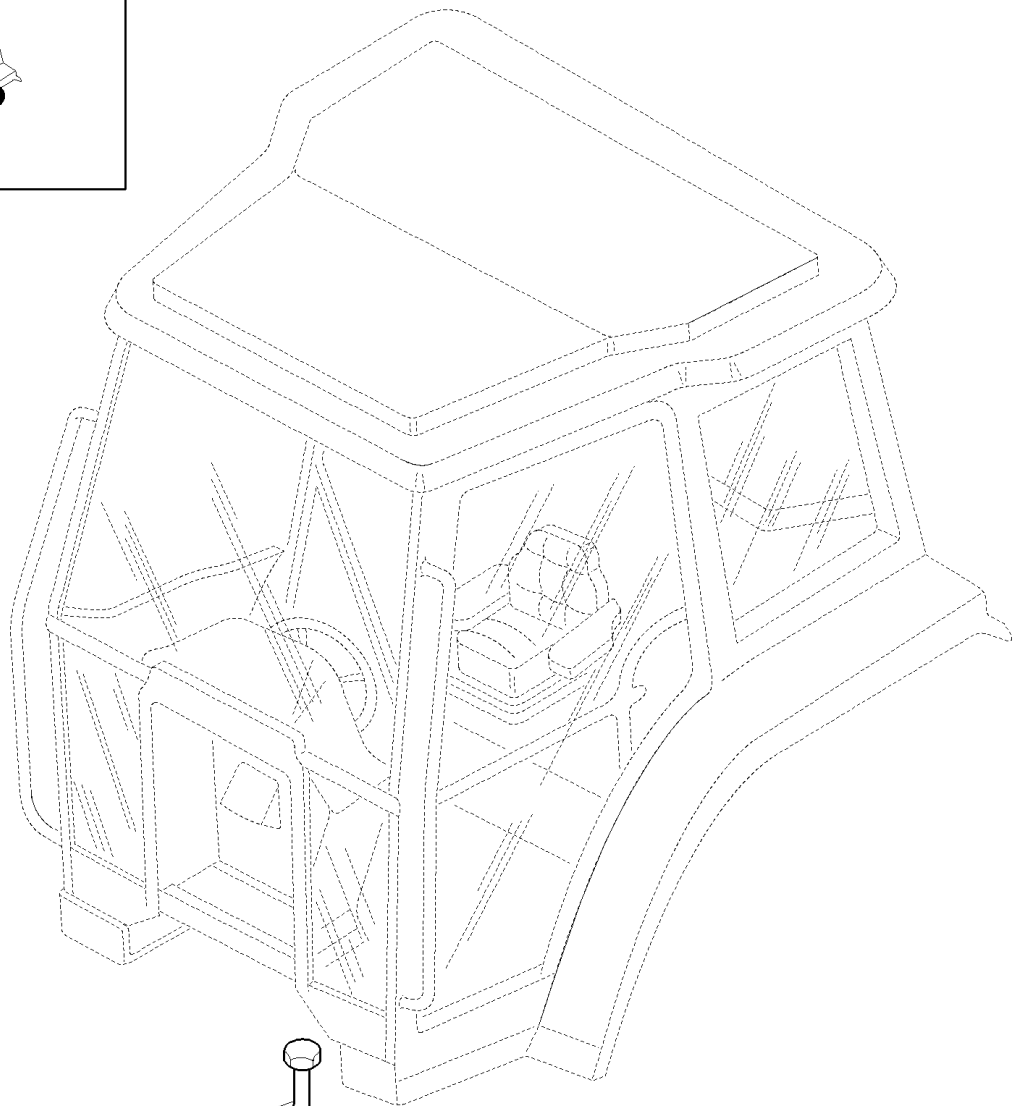
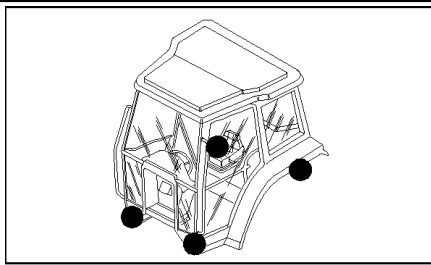
1.92.6 CAB SUPPORTS



## MXM155 CASE IH TRACTOR (6/02- )

## 1.92.6 CAB SUPPORTS

сылка	Номер детали	Кол-во	Описание
1	82019927	1	SUPPORT, RH
1	82014222	1	SUPPORT, LH
2	10517174	8	WASHER, LOCK,
3	16214634	8	BOLT, Hex, M14 x 50,
4	80088007	4	SCREW, BOLT, HH, 3/4"-10 x 4-1/2", G5
4	89602203	4	SCREW, BOLT, HH, 3/4"-10 x 5, G8
5	80087381	4	WASHER, SAE, 3/4"
6	83957652	4	SPACER, 20 x 120 x 5 mm
6	82021079	4	SPACER, 20 x 120 x 11 mm
7	83983548	2	INSULATOR,
8	80280375	4	NUT, LOCK, 3/4"-10, GC
8	87314164	4	NUT, 3/4"-10, G8
9	82021827	1	SUPPORT, LH, Incl. 12
9	82021826	1	SUPPORT, RH, Incl. 12
10	15984324	8	BOLT, Hex, M18 x 1.5 x 50, 8.8, Full Thd,
11	10517374	8	WASHER, LOCK, M18
12	81866330	2	INSULATOR,



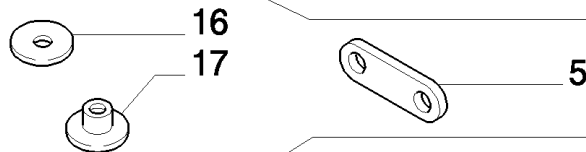
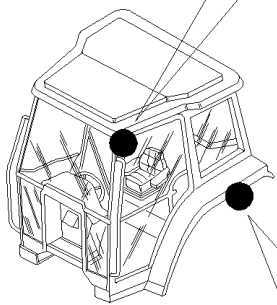
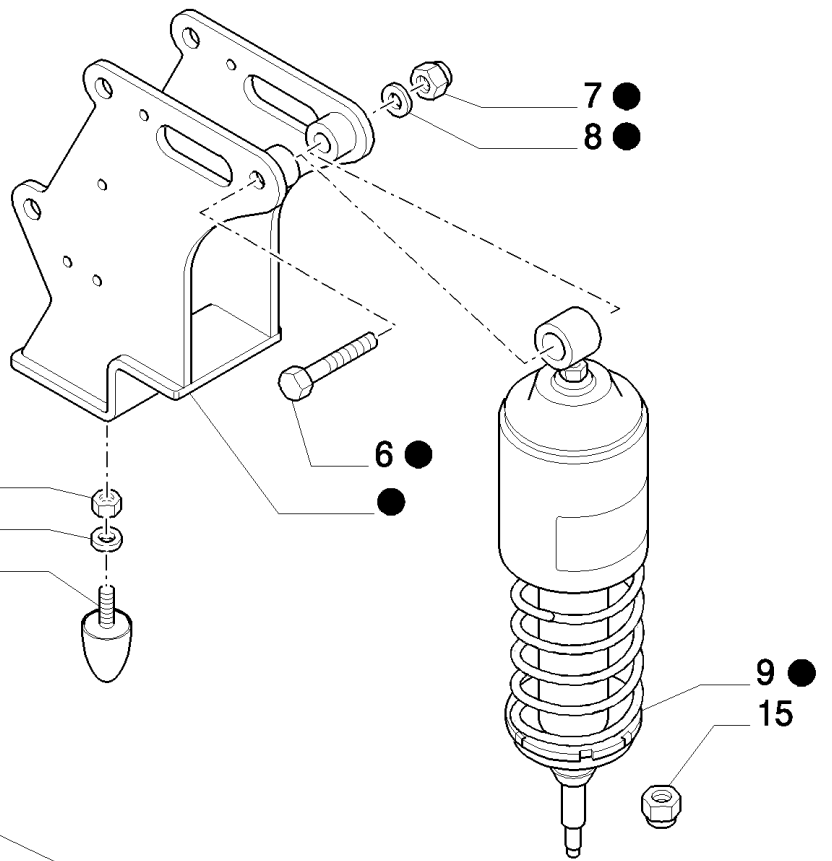
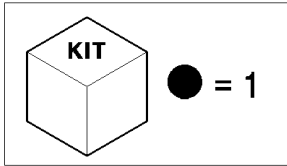
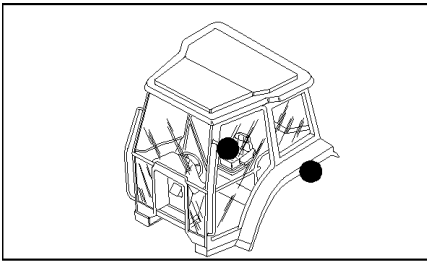


## MXM155 CASE IH TRACTOR (6/02- )

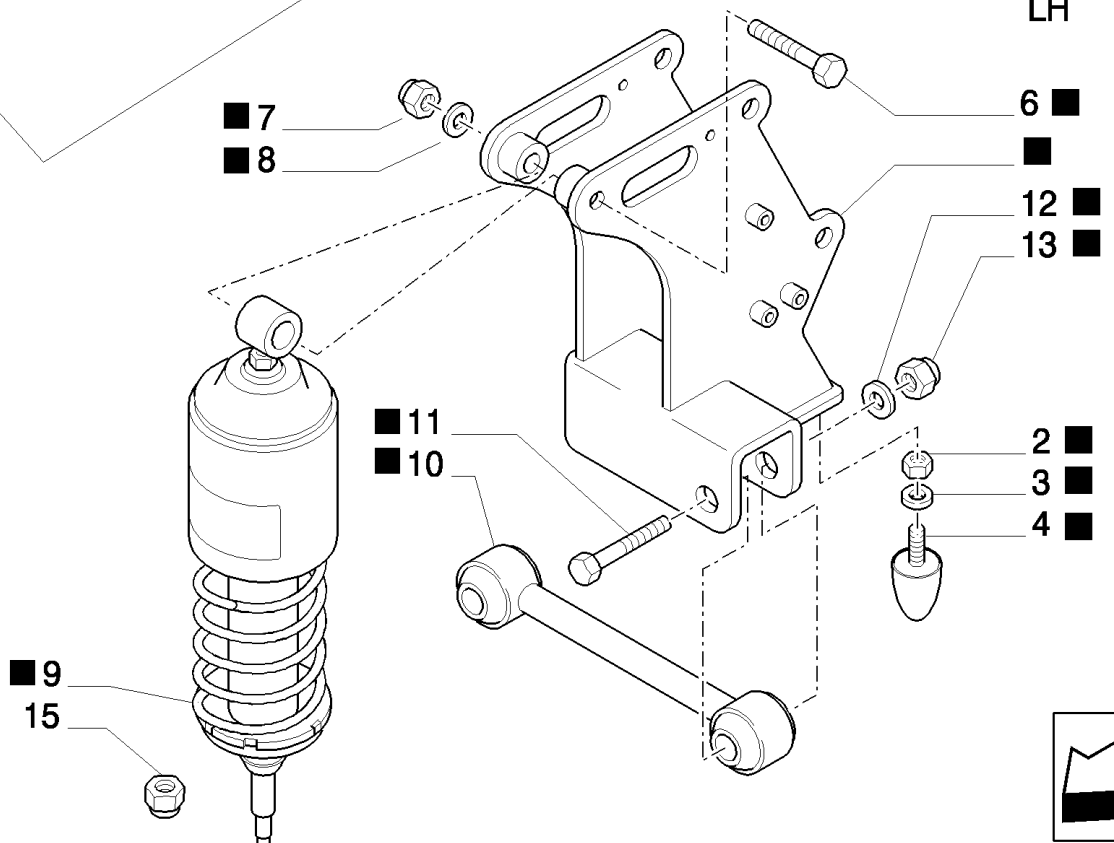
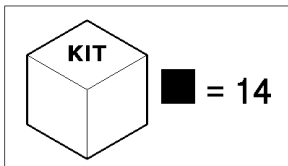
## 1.92.6/02(01) (VAR.635) CAB SUPPORTS

сылка	Номер детали	Кол-во	Описание
1	82021166	1	SUPPORT, LH
1	82021171	1	SUPPORT, RH
2	10517174	8	WASHER, LOCK,
3	16214621	8	BOLT, Hex, M14 x 50,
4	80088007	2	SCREW, BOLT, HH, 3/4"-10 x 4-1/2", G5
4	89602203	4	SCREW, BOLT, HH, 3/4"-10 x 5, G8
5	80087381	2	WASHER, SAE, 3/4"
6	82021079	2	SPACER, 20 x 120 x 11 mm
7	11112124	8	BOLT, Hex, M12 x 20, 8.8, Full Thd,
8	82021655	2	SHOCK ABSORBER,
8	87314164	4	NUT, 3/4"-10, G8
9	80280375	2	NUT, LOCK, 3/4"-10, GC
10	82030853	4	WASHER,
11	82035160	1	WRENCH, SPECIAL,
12	82034842	1	WRENCH, SPECIAL,
13	11408524	4	BOLT, Hex, M18 x 1.5 x 40, 8.8, Full Thd,
14	10517374	4	WASHER, LOCK, M18

RH



LH



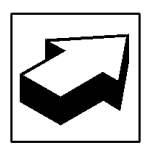
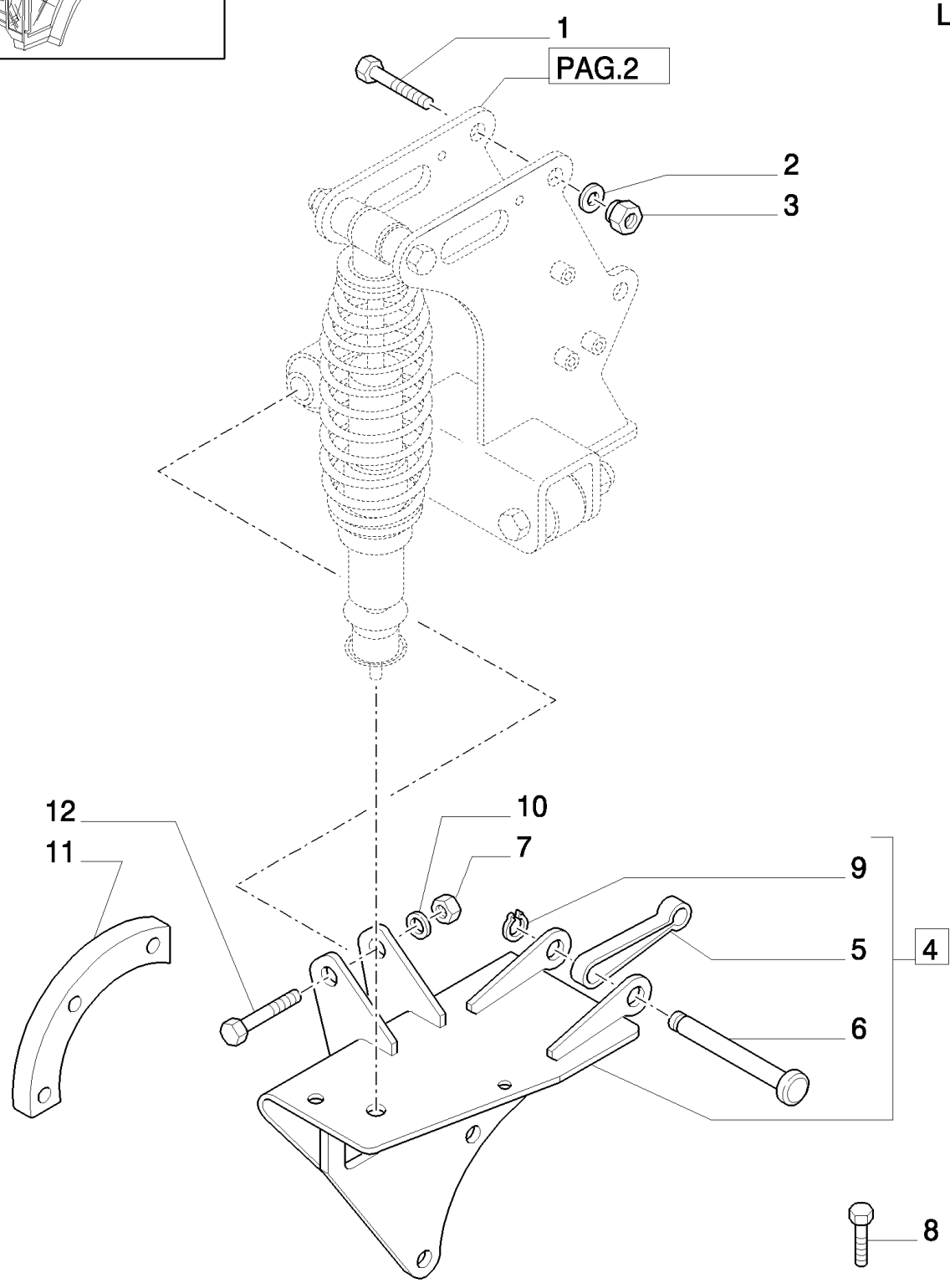
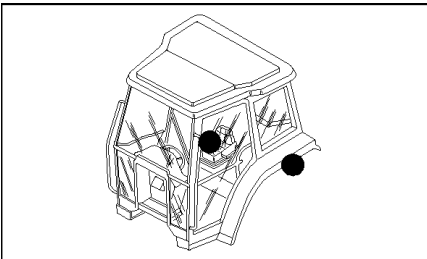
## MXM155 CASE IH TRACTOR (6/02- )

## 1.92.6/02(02) (VAR.635) CAB SUPPORTS - RH

сылка	Номер детали	Кол-во	Описание
1	82033878	1	SUSPENSION,
2	16104111	2	NUT, LOCK, M8 x 1.25, CI 8,
3	14496504	2	WASHER, M8 x 17 x 1.6,
4	44995061	2	BUMPER, RUBBER,
5	82019063	4	RING, RUBBER,
6	11114631	1	BOLT, Hex, M12 x 120, 10.9,
7	12577511	2	NUT, LOCK, M12 x 1.25, CI 8,
8	14496721	2	WASHER, M12 x 24 x 2.5,
9	82033876	2	DAMPER,
10	87302101	1	TIE-ROD,
11	11125721	1	BOLT, Hex, M20 x 100, 8.8,
12	14497101	1	WASHER, M20 x 37 x 3,
13	82020635	1	NUT, M20
14	82036344	1	SUSPENSION, , -C4908
14	82036819	1	SUSPENSION, , D4908-
15	16105021	2	NUT, LOCK, M12 x 1.25, CI 10,

D4908 After Date 06/08/03

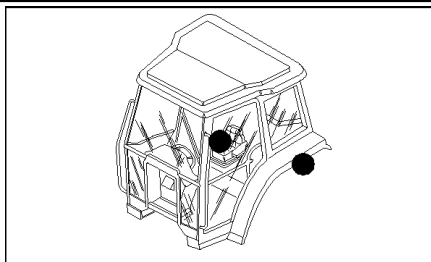
LH



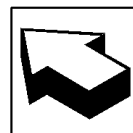
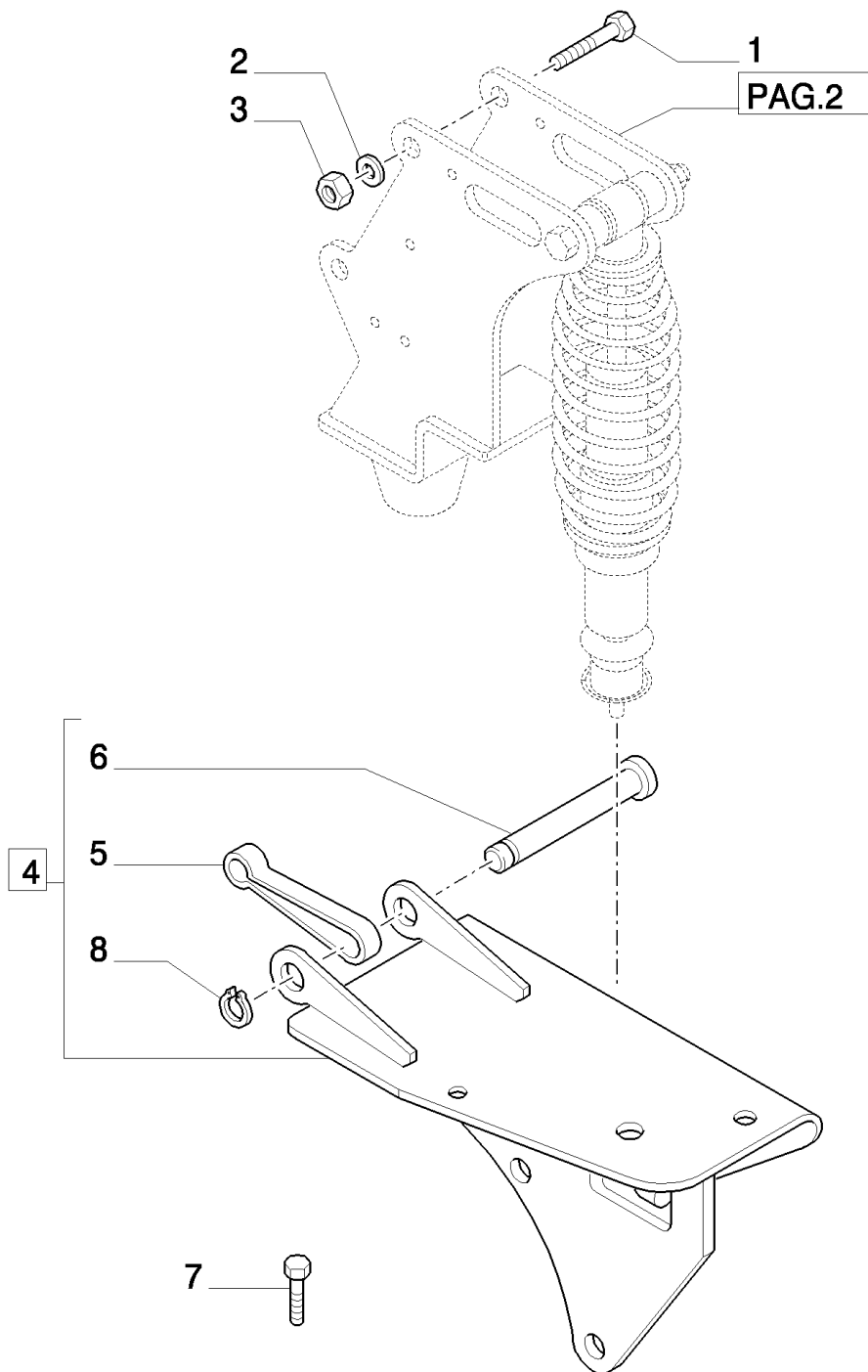
## MXM155 CASE IH TRACTOR (6/02- )

## 1.92.6/02(03) (VAR.635) CAB SUPPORTS - LH

сылка	Номер детали	Кол-во	Описание
1	11120321	2	BOLT, Hex, M16 x 120, 8.8,
2	14496901	2	WASHER, M16 x 30 x 3,
3	12577411	2	NUT, LOCK, M16 x 2, Cl 8,
4	82021119	1	BRACKET, LH
5	82018509	1	SUPPORT,
6	82018508	1	PIN,
7	82020635	3	NUT, M20
8	11126121	2	BOLT, Hex, M20 x 120, 8.8,
8	11126521	2	BOLT, Hex, M20 x 140, 8.8,
9	82018535	1	CIRCLIP,
10	14497101	1	WASHER, M20 x 37 x 3,
11	82018491	2	SPACER, MXM120, MXM130
12	11125721	1	BOLT, Hex, M20 x 100, 8.8,



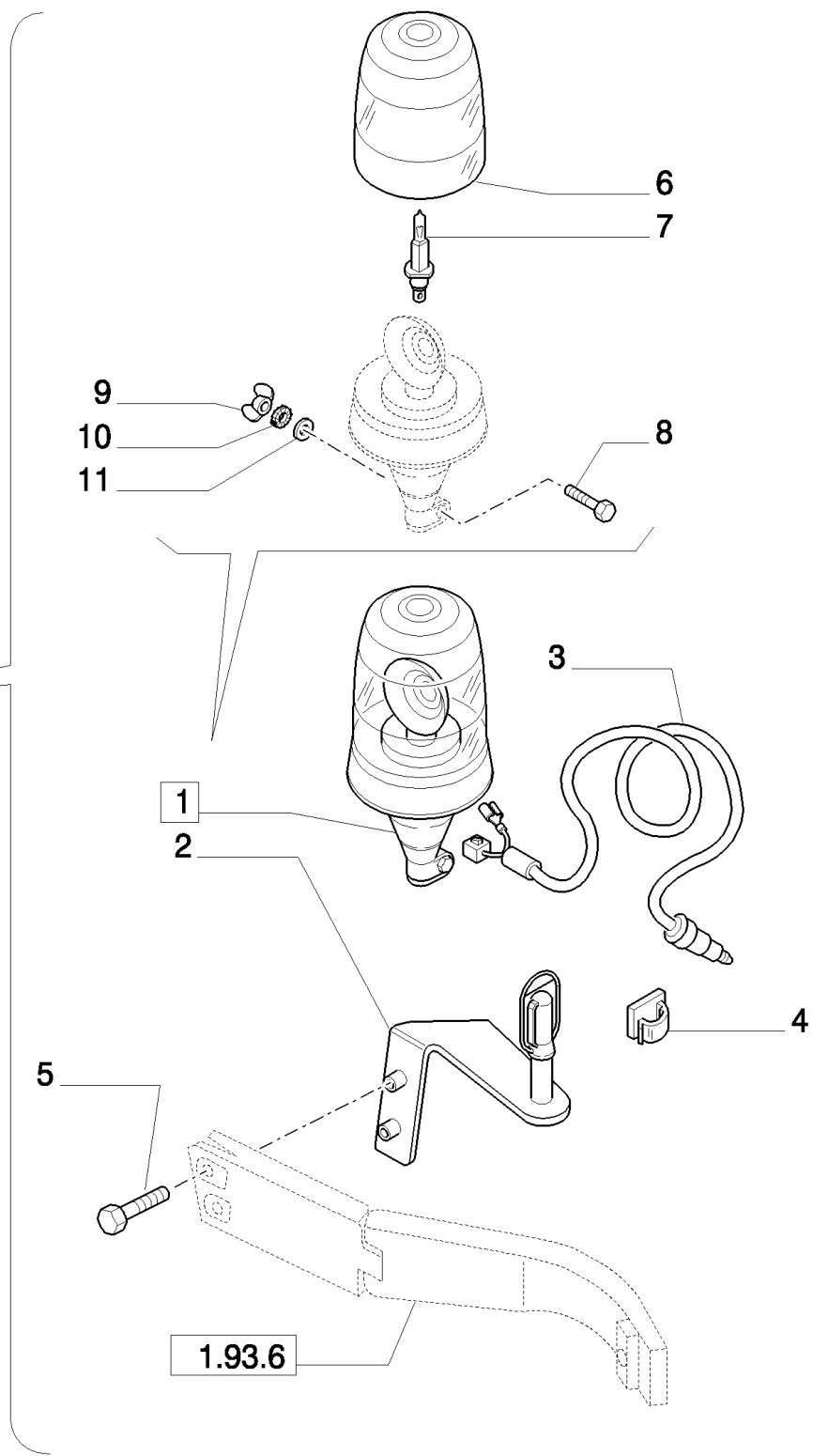
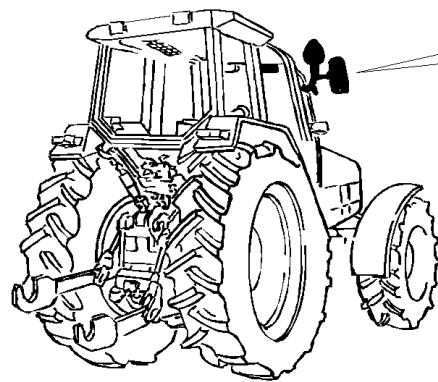
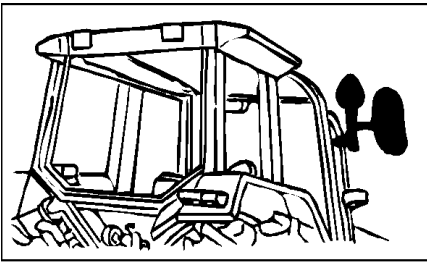
RH



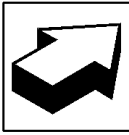
MXM155 CASE IH TRACTOR (6/02- )

1.92.6/02(04) (VAR.635) CAB SUPPORTS - RH

сылка	Номер детали	Кол-во	Описание
1	11120321	1	BOLT, Hex, M16 x 120, 8.8,
2	14496901	2	WASHER, M16 x 30 x 3,
3	12577411	2	NUT, LOCK, M16 x 2, Cl 8,
4	82021120	1	BRACKET,
5	82018509	1	SUPPORT,
6	82018508	1	PIN,
7	11126121	2	BOLT, Hex, M20 x 120, 8.8,
7	11126521	2	BOLT, Hex, M20 x 140, 8.8,
8	82018535	1	CIRCLIP,



1.93.6



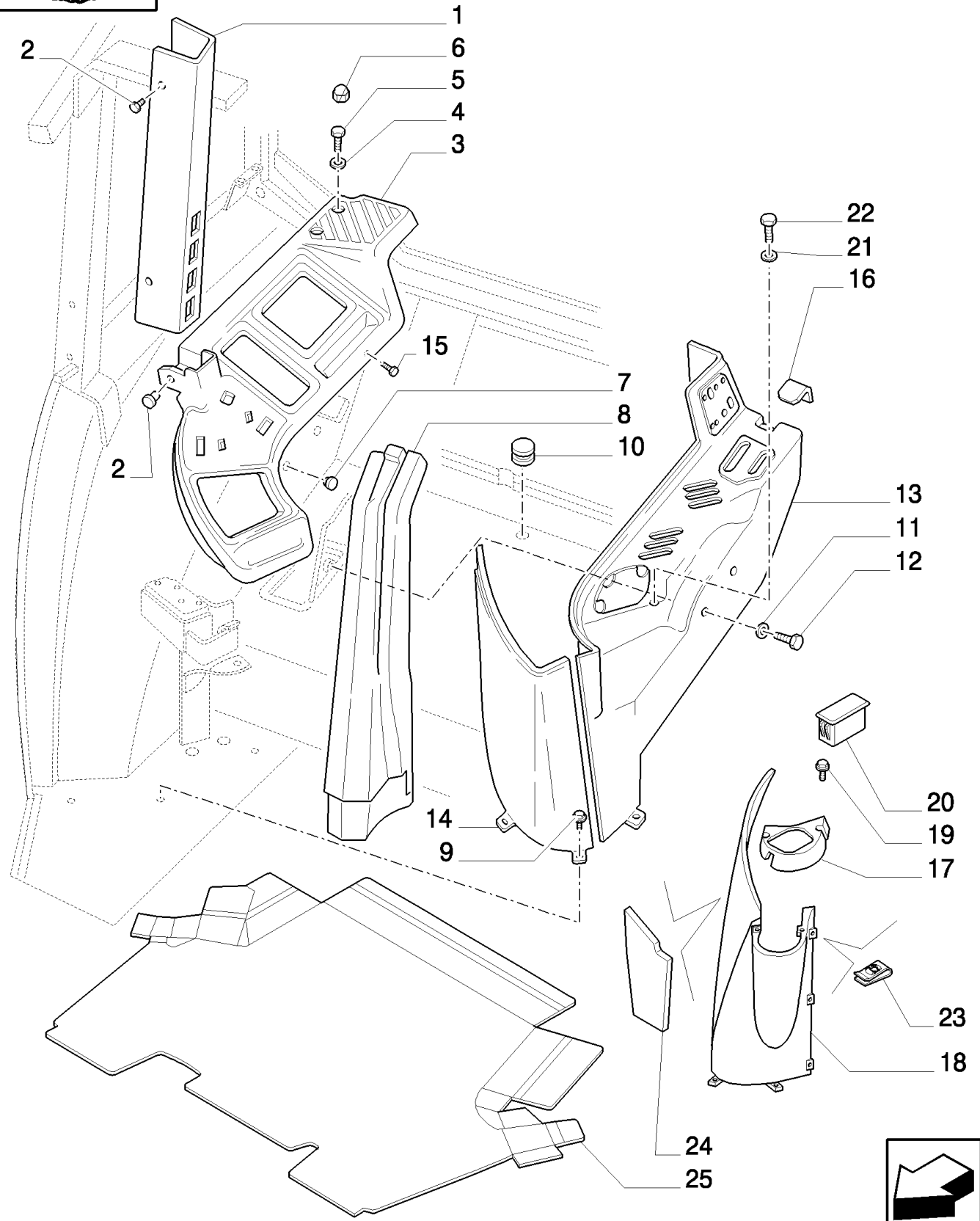
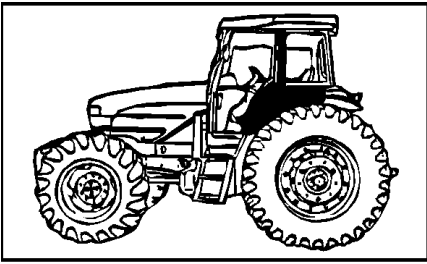


MXM155 CASE IH TRACTOR (6/02- )

1.92.762 (VAR.762) ROTARY BEACON

сылка	Номер детали	Кол-во	Описание
1	82018390	1	BEACON,
2	82027651	1	BRACKET, RH
2	82027652	1	BRACKET, LH
3	82028208	1	HARNESS, WIRE,
4	83918745	4	CLIP,
5	14420631	2	SCREW, Hex Soc Hd, M10 x 50, 10.9,
6	82020775	1	LENS,
7	14151095	1	BULB, 12V-55W
8	11106624	1	BOLT, Hex, M10 x 35, 8.8, Full Thd,
9	10101901	1	NUT, M10
10	12605671	1	WASHER, LOCK, Int Tooth, M10,
11	14496621	1	WASHER, M10 x 21 x 2,

1.93.0(01) CONTROLS COVER

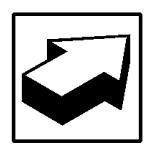
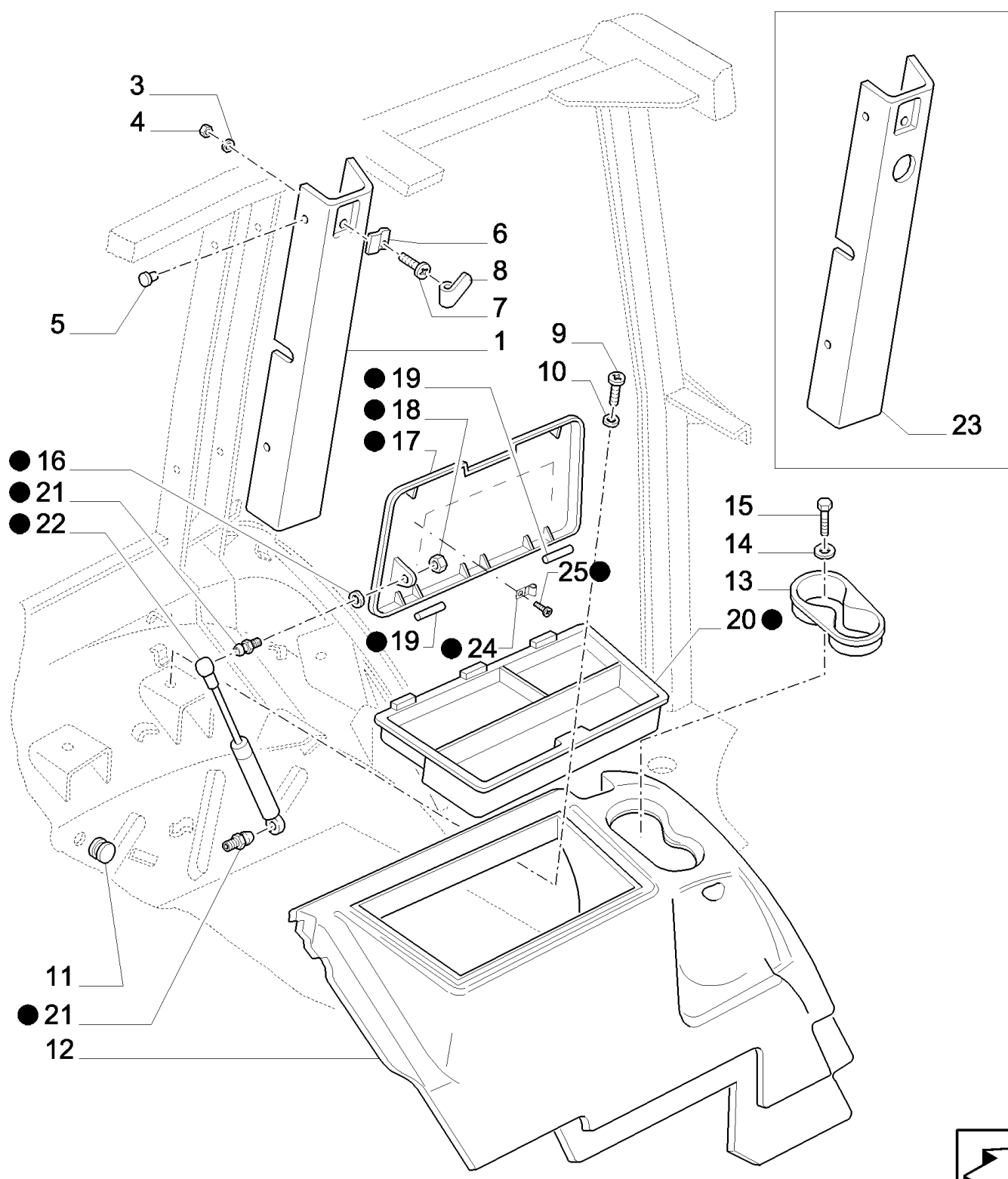
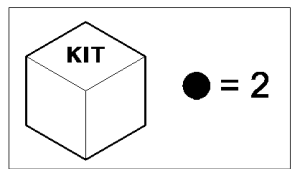
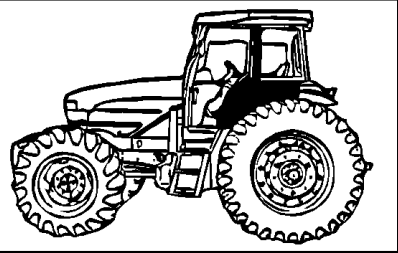


## MXM155 CASE IH TRACTOR (6/02- )

## 1.93.0(01) CONTROLS COVER

сылка	Номер детали	Кол-во	Описание
1	82023458	1	SOFT TRIM, RH
2	82023460	5	STUD,
3	82027665	1	CONSOLE, RH, BSN ACM237800
3	82038962	1	CONSOLE, , ASN ACM237801
4	14496621	4	WASHER, M10 x 21 x 2,
5	11106221	4	BOLT, Hex, M10 x 25, 8.8, Full Thd,
6	82012814	4	CAP,
7	81873232	2	PLUG,
8	82023446	1	PANEL, RH, BSN ACM237800
8	82038708	1	PANEL, , ASN ACM237801
9	82023989	3	SCREW,
10	83904456	5	GROMMET,
11	12638104	4	WASHER, M5 x 14 x 1,
12	10977624	2	BOLT, Hex, M5 x 12, 8.8, Full Thd,
13	82027660	1	CONSOLE, RH
13	82027661	1	CONSOLE, MXM120, MXM130, MXM140, W/Mec. Trans. 20 x 16
14	82027667	1	PANEL, RH, -C5073
14	87301795	1	PANEL, RH, D5073-
15	15909401	6	SCREW, SELF TAP, Cross Oval Hd, M3.5 x 19,
16	82007725	1	PLUG, MXM120, MXM130, MXM140, W/Mec. Trans. 20 x 16
17	82033870	1	SOFT TRIM, , W/Equip. 244, 245/1, 440, 440/2, 444, 714/1, 723, Joystick for Loader
18	82033872	1	SOFT TRIM, Incl. 23, W/Equip. 244, 245/1, 440, 440/2, 444, 714/1, 723, Joystick for Loader, -C5073
18	87301791	1	PANEL, Incl. 23, 24, W/Equip. 244, 245/1, 440, 440/2, 444, 714/1, 723, Joystick for Loader, D5073-
19	15687201	3	SCREW, SELF TAP, Cross Pan Hd, M3.5 x 13, , W/Equip. 244, 245/1, 440, 440/2, 444, 714/1, 723, Joystick for Loader
20	82022763	1	PLUG, Blanking, W/Equip. 244, 245/1, 440, 440/2, 444, 714/1, 723, Joystick for Loader
21	9824840	2	WASHER, M4,
22	86511824	2	SCREW, Cross Pan Hd, M4 x 20,
23	14372171	AR	NUT, , W/Equip. 244, 245/1, 440, 440/2, 444, 714/1, 723, Joystick for Loader
24	82019598	1	INSULATION, FOAM, , W/Equip. 244, 245/1, 440, 440/2, 444, 714/1, 723, Joystick for Loader, D5073-
25	87313046	1	MAT,

D4910 Serial N.ACM237801 for MXM120, MXM130, MXM140, MXM155 only D5073 After Date 04/10/04

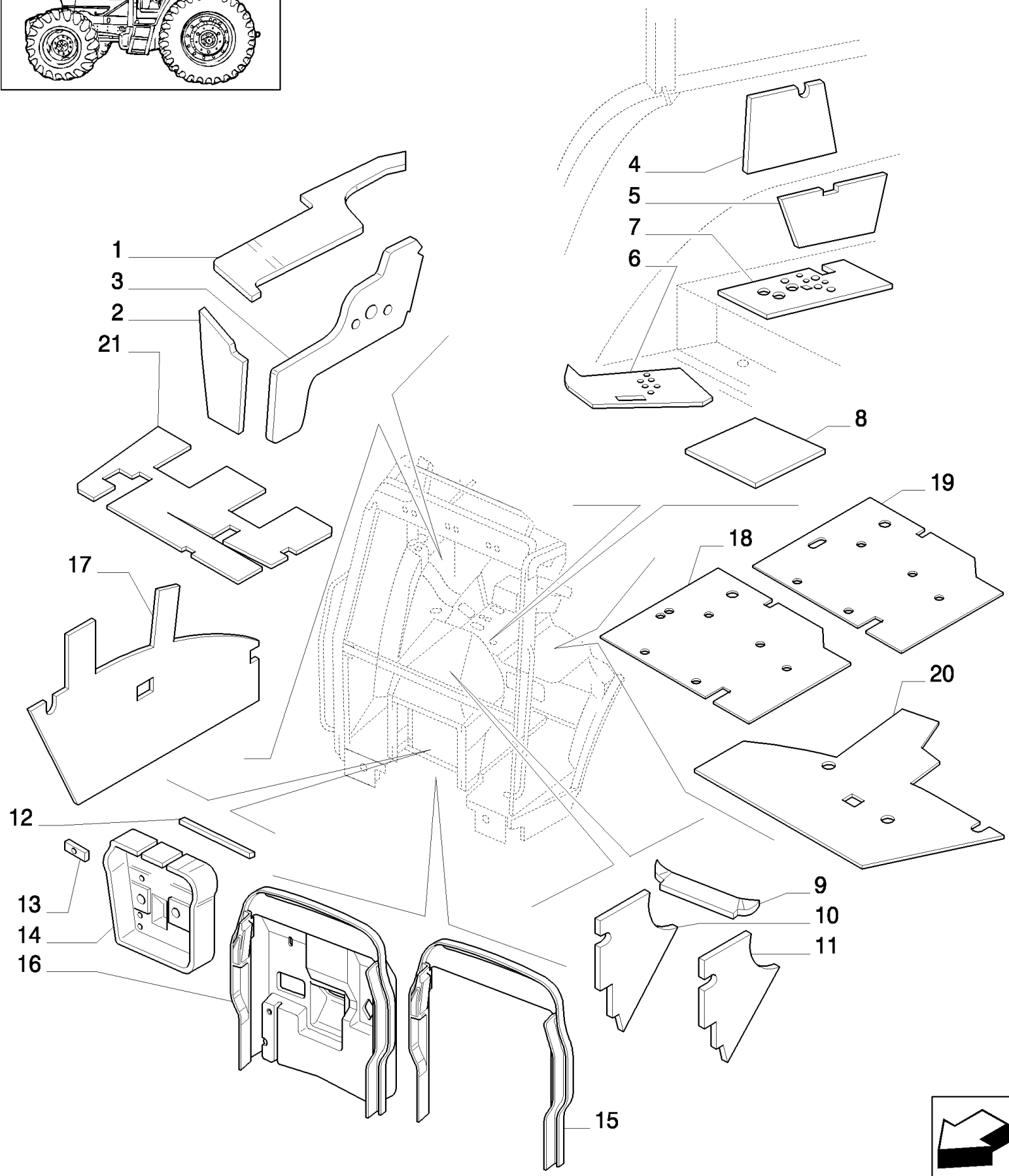
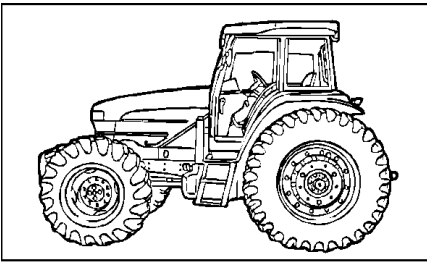


## MXM155 CASE IH TRACTOR (6/02- )

## 1.93.0(02) CONTROLS COVER

сылка	Номер детали	Кол-во	Описание
1	82023467	1	SOFT TRIM,
2	87304959	1	BOX, Assy
3	12642804	1	WASHER, M4 x 12 x 1,
4	10794014	1	NUT, M4, CI 8,
5	82023460	4	STUD,
6	83904461	1	RETAINER,
7	82880745	1	SCREW,
8	82023459	1	COAT HOOK, Wheat Grey
8	82872313	1	COAT HOOK, Black
9	16043624	4	BOLT, Hex, M8 x 25, 8.8, Full Thd,
10	14496504	4	WASHER, M8 x 17 x 1.6,
11	83904456	5	GROMMET,
12	87305129	1	SOFT TRIM, LH
13	82023447	1	HOLDER, Cup
14	17094714	2	WASHER, LOCK, M6 x 12.5
15	82011899	2	SCREW, M6 x 20
16	14496504	1	WASHER, M8 x 17 x 1.6,
17	82030611	1	LID,
18	16100811	1	NUT, M8, CI 8,
19	82014621	2	PIN,
20	87304955	1	BOX,
21	83952214	2	PIN, BALL,
22	82014620	1	GAS STRUT,
23	82023931	1	SOFT TRIM, , W/Pneumatic Trailer Brakes
24	82030616	4	CLIP,
25	81864319	4	SCREW,

1.93.1 SOUNDPROOFING



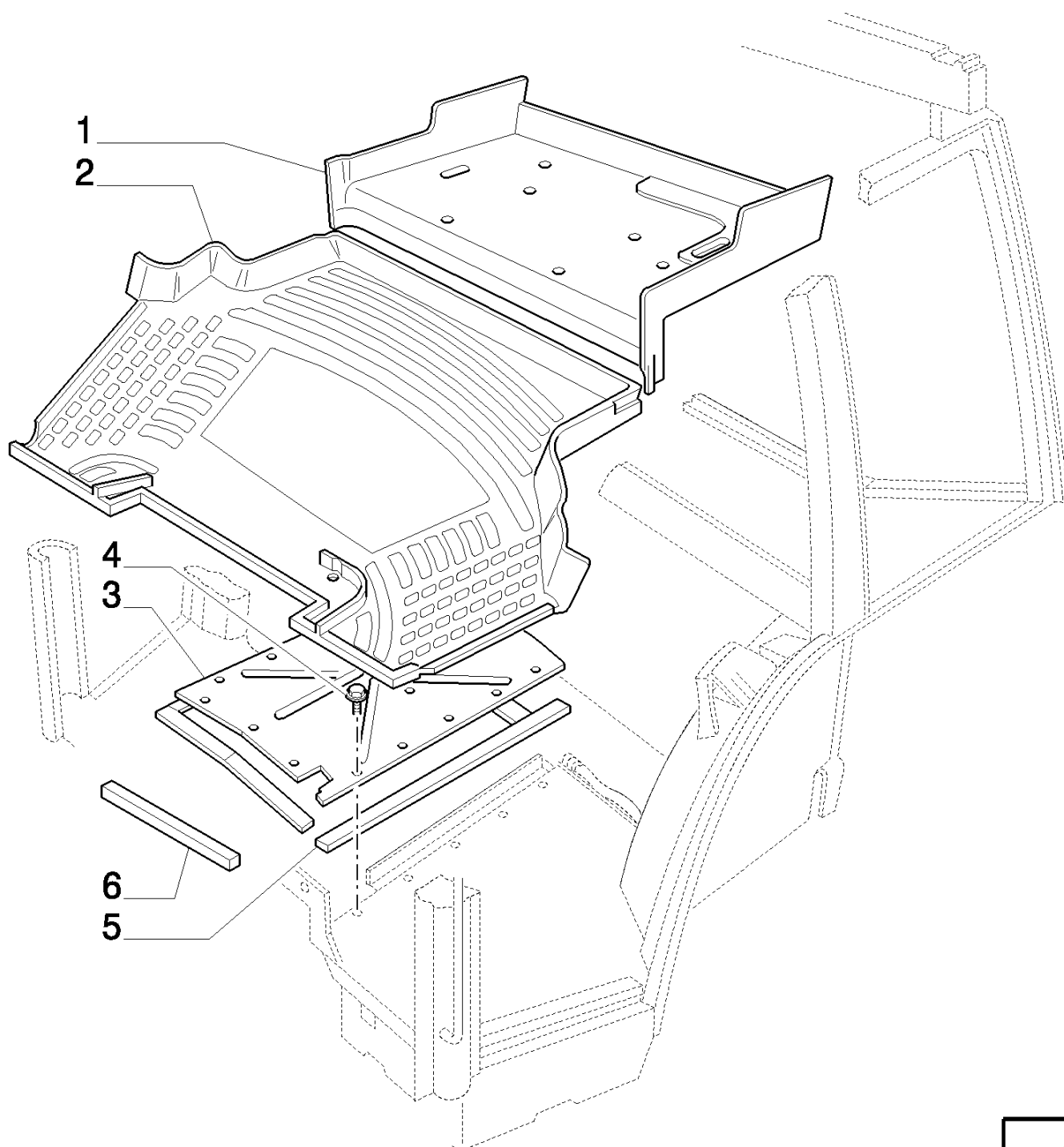
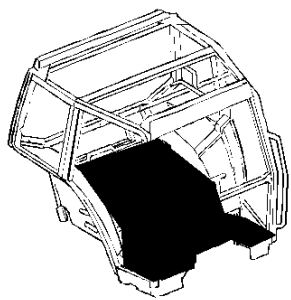
## MXM155 CASE IH TRACTOR (6/02- )

## 1.93.1 SOUNDPROOFING

сылка	Номер детали	Кол-во	Описание
1	82014656	1	INSULATION, FOAM, Rear, Upper
2	82014657	1	INSULATION, FOAM, Console, Front
3	82003542	1	INSULATION, FOAM, Console, Rear, Lower
4	82019852	1	INSULATOR, RH Side, Upper
5	82003547	1	INSULATION, FOAM, RH Side, Lower
6	82018644	1	INSULATION, FOAM, Console, Floor, Front
7	82018701	1	INSULATION, FOAM, Console, Floor, Rear
8	81871523	1	INSULATION, FOAM, Floor, Front
9	82002659	1	INSULATION, FOAM, Upper
10	82006278	1	INSULATION, FOAM, RH, Lower
11	82006277	1	INSULATION, FOAM, LH, Lower
12	82007176	1	INSULATOR, Front Floor
13	83904591	2	NUT,
14	82035970	1	INSULATION, FOAM,
14	82031862	1	INSULATION, FOAM, MXM120, MXM130, MXM140, MXM155, Only for Cab w/Suspension (Equip. 635)
15	82027403	1	INSULATION, FOAM, MXM175, MXM190, BSN ACM252489
16	87311677	1	INSULATION, FOAM, , ASN ACM252490
17	82037474	1	LINING, Fender Bottom, LH
18	82037475	1	LINING, Cab Floor
19	82037477	1	LINING, Cab Floor
20	82037476	1	LINING, Fender, RH
21	82037478	1	LINING, Fender Top, LH

D5085 Serial N.ACM252490

1.93.2 MATS



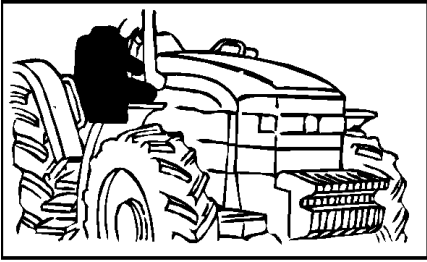


## MXM155 CASE IH TRACTOR (6/02- )

## 1.93.2 MATS

сылка	Номер детали	Кол-во	Описание
1	82023465	1	MAT, FLOOR,
2	82023466	1	MAT, FLOOR,
3	82013026	1	PLATE,
4	83929012	13	SCREW, & Washer, HH, M6.3 x 1.8 x 20
5	82000180	2	STRIP, SEALING,
6	82009094	2	PAD, RUBBER,

1.93.3 SEAT



- 1 1.93.3/A
- 4 1.93.3/B
- 5 1.93.3/C
- 6 1.93.3/D
- 7 1.93.3/E
- 8 1.93.3/F
- 9 1.93.3/G
- 10 1.93.3/H



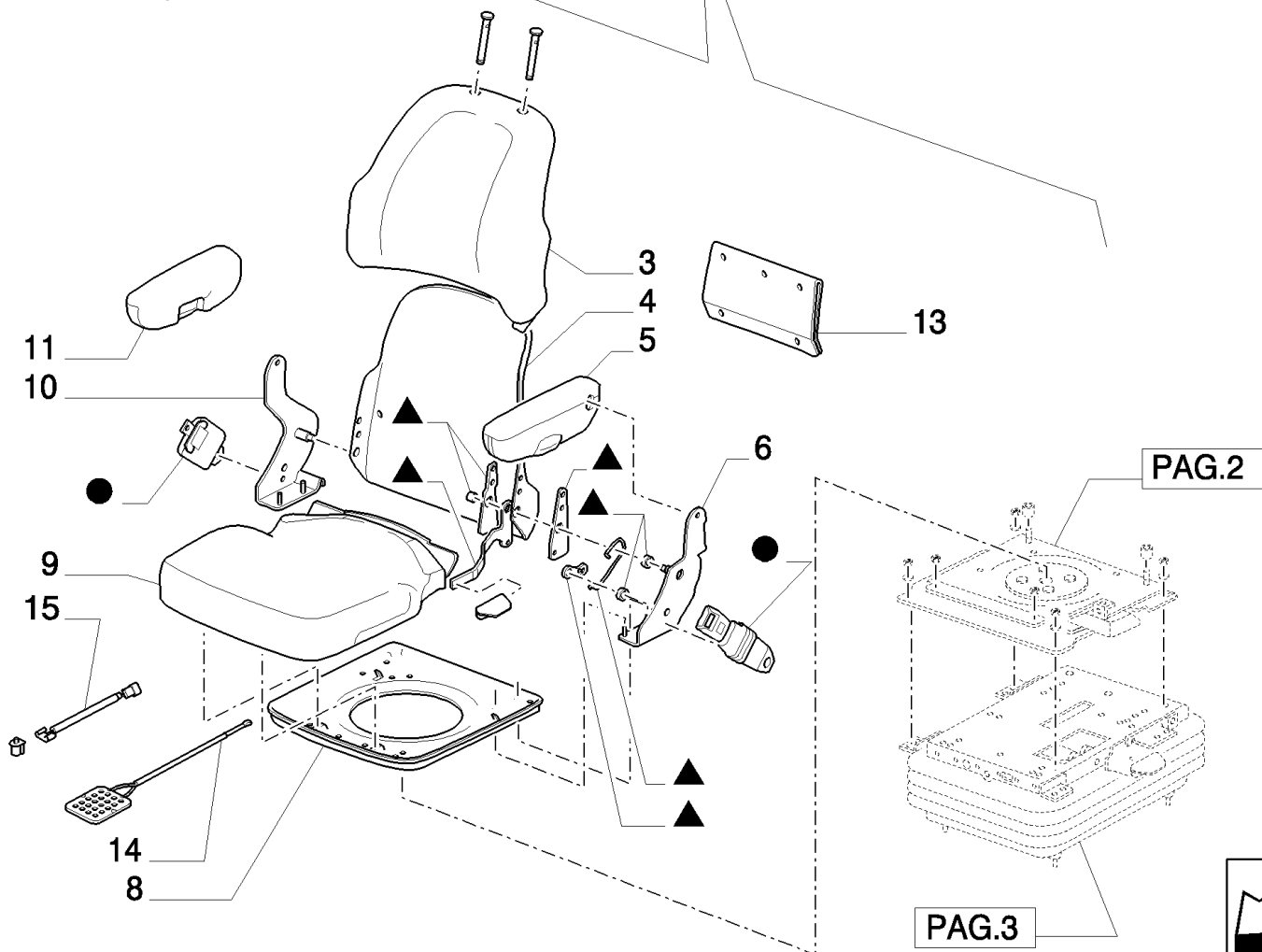
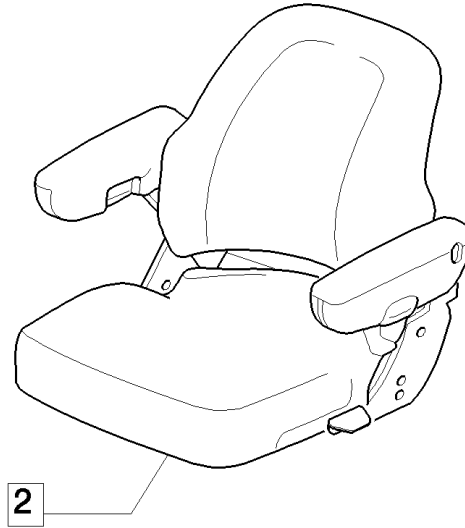
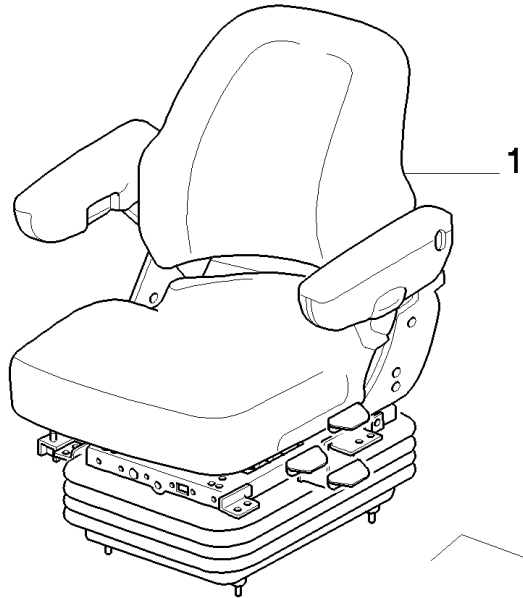
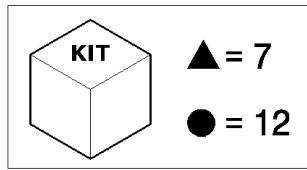
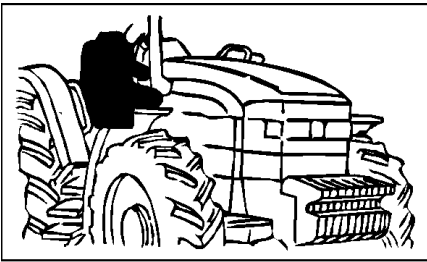
## MXM155 CASE IH TRACTOR (6/02- )

## 1.93.3 SEAT

сылка	Номер детали	Кол-во	Описание
1	82023875	1	SEAT, DRIVER, MXM120, MXM130, MXM140, MXM155, Air seat with seat belt (Std version), -C5227
2	16100811	4	NUT, M8, CI 8,
3	12646204	4	WASHER, M8 x 35 x 3,
4	82027643	1	SEAT, DRIVER, , Deluxe air seat with reeling seat belt (Std version) for MXM175, MXM190, Var. 963 for TM120, TM130, TM140, TM155, BSN ACM262222
5	82023883	1	SEAT, DRIVER, (VAR.964), Deluxe air seat with reeling seat belt and heated cushion, BSN ACM262222
6	82036743	1	SEAT, DRIVER, (VAR.319), Deluxe air seat with reeling seat belt and heated cushion in red leather, BSN ACM262222
7	87342443	1	SEAT, DRIVER, MXM120, MXM130, MXM140, MXM155, Air seat with seat belt (Std version), D5227-
8	87363494	1	SEAT, DRIVER, , Deluxe air seat with reeling seat belt (Std version) for MXM175, MXM190, Var. 963 for TM120, TM130, TM140, TM155, ASN ACM262223
9	87363496	1	SEAT, DRIVER, VAR.964, Deluxe air seat with reeling seat belt and heated cushion, ASN ACM262223
10	87363498	1	SEAT, DRIVER, VAR.319, Deluxe air seat with reeling seat belt and heated cushion in red leather, ASN ACM262223

D5227 After Date 16 August 2005 D5248 Serial N.ACM262223

1.93.3/ A(01) AIR SEAT WITH SEAT BELT - BREAKDOWN



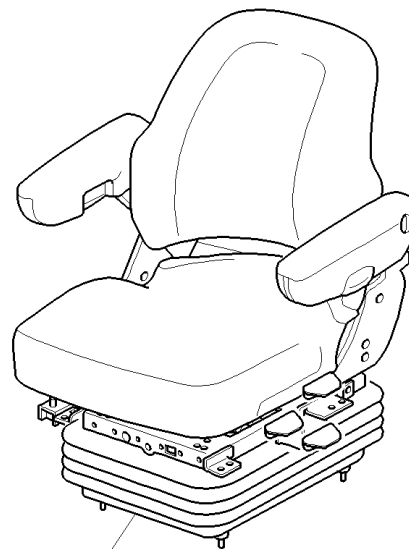
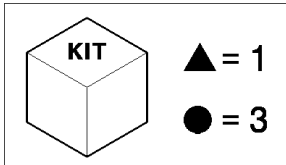
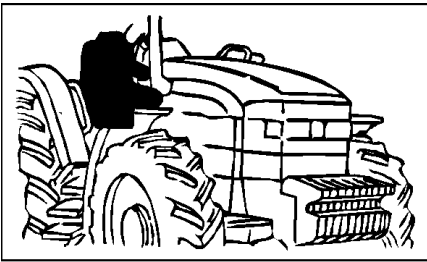
## MXM155 CASE IH TRACTOR (6/02- )

## 1.93.3/ A(01) AIR SEAT WITH SEAT BELT - BREAKDOWN

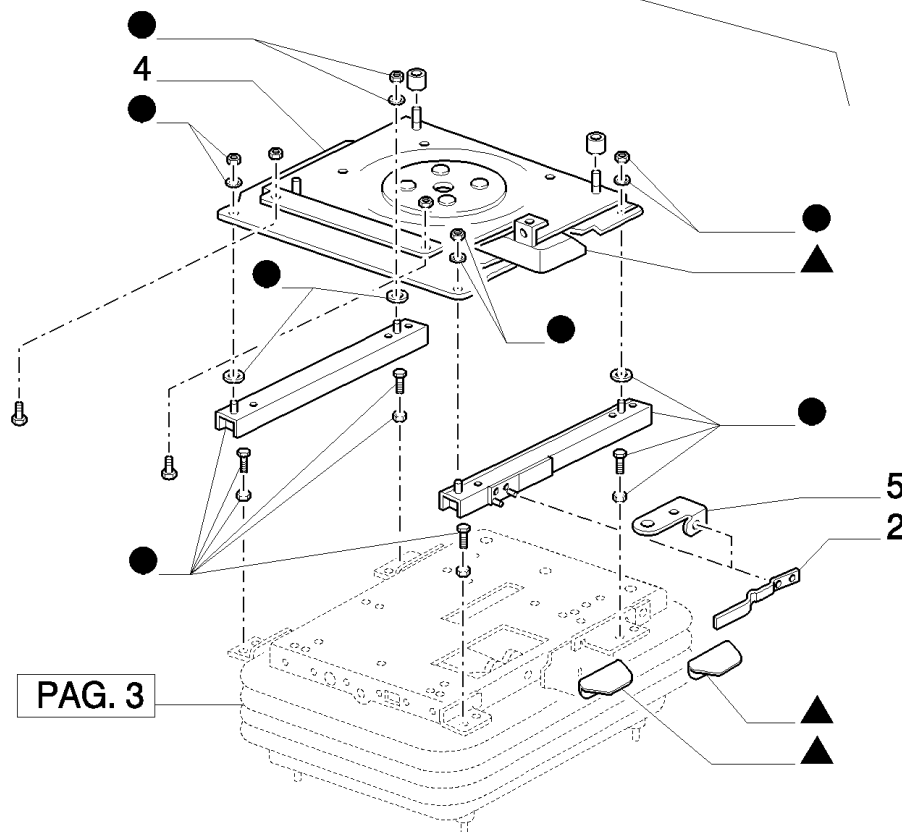
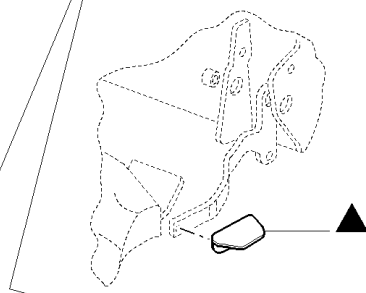
сылка	Номер детали	Кол-во	Описание
1	82023875	1	SEAT, DRIVER, Assy
2	82030781	1	SEAT, Assy, Upper
3	82030782	1	SEAT, BACK, w/Armrests
4	82020834	1	KIT, Back Pan
5	82020805	1	ARMREST, LH
6	82020804	1	BRACKET, LH Armrest
7	82020808	1	KIT, Recliner
8	82020803	1	PAN,
9	82030783	1	CUSHION, SEAT, Case IH Logo, Cloth, -C5141
9	87308593	1	CUSHION, SEAT, , D5141-
10	82020806	1	BRACKET, RH Armrest
11	82020807	1	ARMREST, RH
12	82020831	1	KIT, Seat Belt
13	82030777	1	HOLDER,
14	82020813	1	KIT, Operator Presence Switch, -C5141
15	87308594	1	KIT, SERVICE, Operator Presence , D5141-

D5141 After Date 13/12/04

1.93.3/ A(02) AIR SEAT WITH SEAT BELT - BREAKDOWN



6



PAG. 3

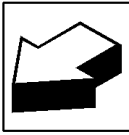
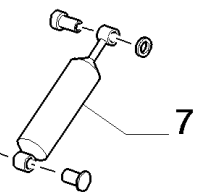
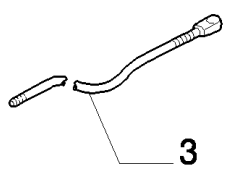
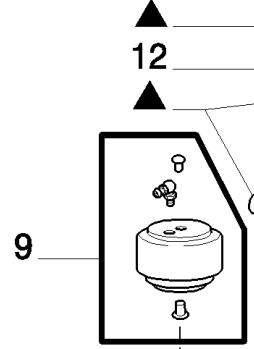
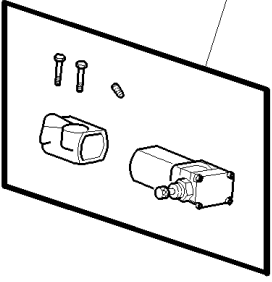
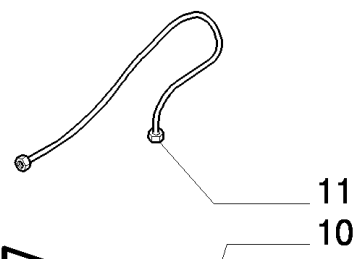
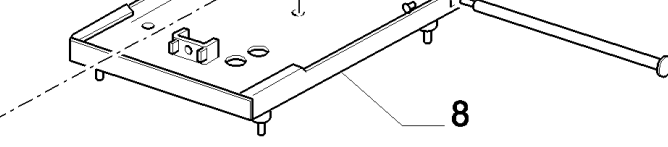
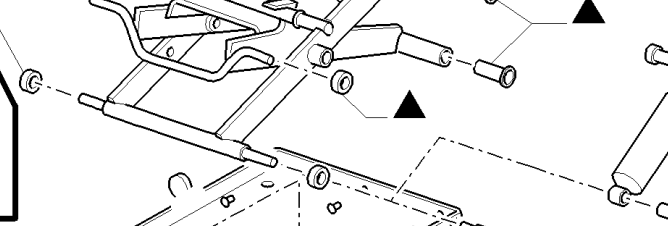
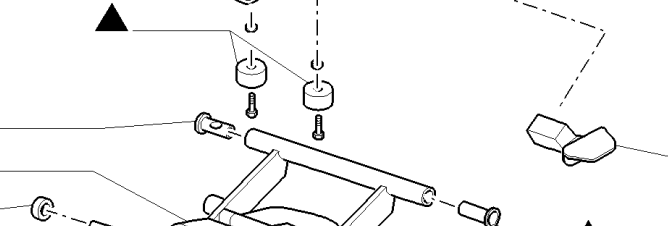
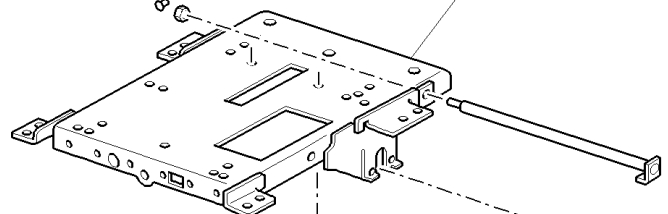
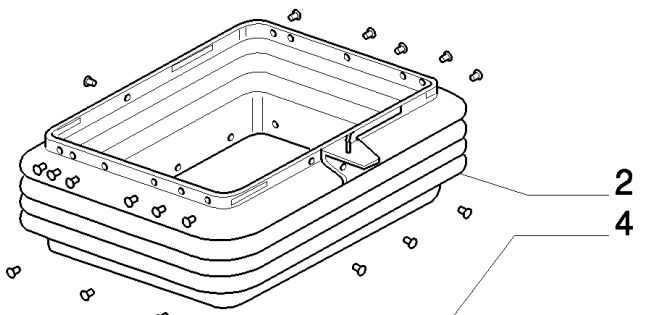
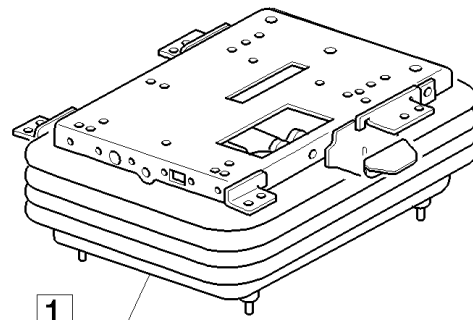
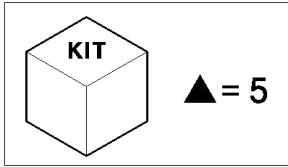
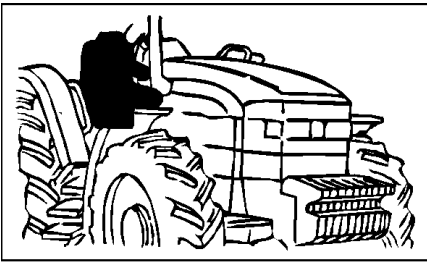


## MXM155 CASE IH TRACTOR (6/02- )

## 1.93.3/ A(02) AIR SEAT WITH SEAT BELT - BREAKDOWN

сылка	Номер детали	Кол-во	Описание
1	82020812	1	KIT, Knob
2	82020809	1	KIT, Slide Lever
3	82020814	1	KIT, Slide
4	82020815	1	KIT, Swivel
5	82020923	1	BRACKET, Lever Support
6	82023875	1	SEAT, DRIVER, Assy

1.93.3/ A(03) AIR SEAT WITH SEAT BELT - BREAKDOWN



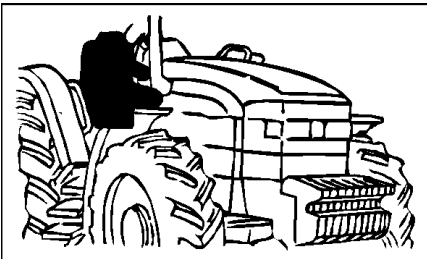


## MXM155 CASE IH TRACTOR (6/02- )

## 1.93.3/ A(03) AIR SEAT WITH SEAT BELT - BREAKDOWN

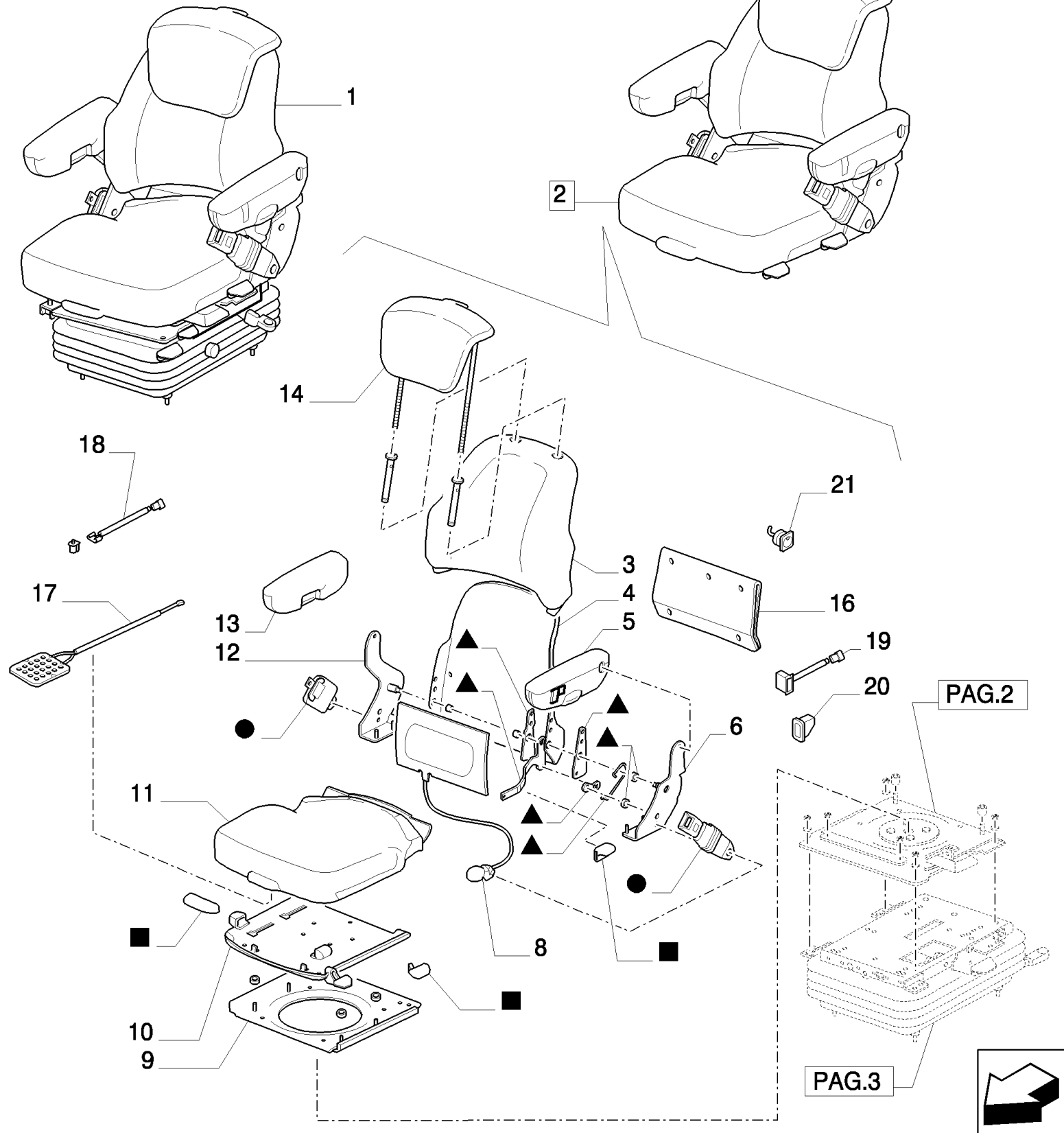
сылка	Номер детали	Кол-во	Описание
1	82020816	1	SUSPENSION, Assy
2	82020818	1	BELLOWS,
3	82030778	1	HARNESS, WIRE,
4	82020820	1	KIT, Upper Housing
5	82020822	1	KIT, Suspension Bearing
6	82020825	1	VALVE,
7	82020824	1	KIT, Shock Abosorber
8	82020821	1	KIT, Lower Housing
9	82020819	1	KIT, Air Spring
10	82030779	1	KIT, Compressor
11	82030780	1	KIT, Air Line
12	82020823	1	KIT, Suspension Scissor

1.93.3/ B(01) DELUXE AIR SEAT WITH REELING SEAT BELT - BREAKDOWN



**KIT**

- ▲ = 7
- = 15
- = 22



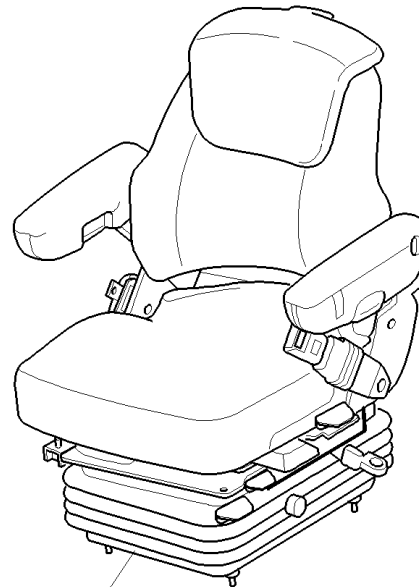
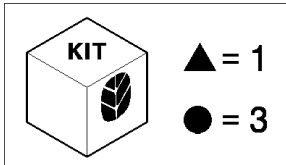
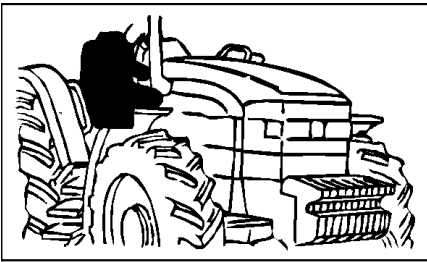
## MXM155 CASE IH TRACTOR (6/02- )

## 1.93.3/ B(01) DELUXE AIR SEAT WITH REELING SEAT BELT - BREAKDOWN

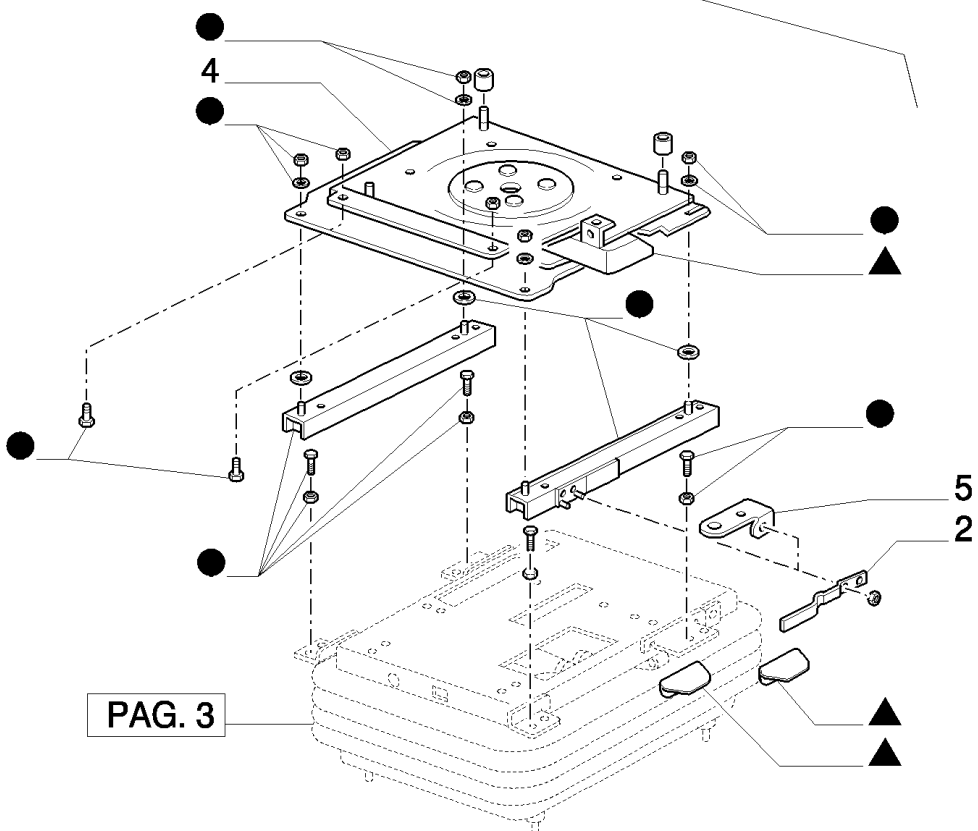
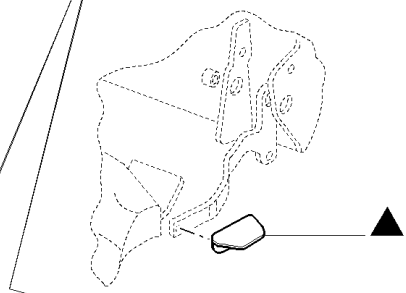
сылка	Номер детали	Кол-во	Описание
1	82027643	1	SEAT, DRIVER, Assy, Complete
2	82030823	1	SEAT, Top Assy, W/Armrest
3	82030782	1	SEAT, BACK, Back
4	82020834	1	KIT, Back Pan
5	82020837	1	ARMREST, LH
6	82020804	1	BRACKET, LH Armrest
7	82020808	1	KIT, Recliner
8	82030802	1	KIT, Lumbar
9	82020836	1	KIT, Seat Pan
10	82020828	1	KIT, Cushion Extension
11	82039400	1	CUSHION, SEAT, , -C5141
11	87308597	1	CUSHION, SEAT, , D5141-
12	82020806	1	BRACKET, RH Armrest
13	82020807	1	ARMREST, RH
14	82030825	1	HEADREST, SEAT, Upper
15	82020831	1	KIT, Seat Belt
16	82030777	1	HOLDER,
17	82020813	1	KIT, Operator Presence Switch, -C5141
18	87308594	1	KIT, SERVICE, Operator Presence , D5141-
19	87308603	1	SWITCH, Height Control, -C5141
20	87308605	1	SWITCH, Height Control, D5141-
21	87308609	1	SWITCH, Heater
22	87308611	1	KIT, SERVICE,

D5141 After Date 13/12/04

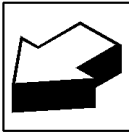
1.93.3/ B(02) DELUXE AIR SEAT WITH REELING SEAT BELT - BREAKDOWN



6



PAG. 3

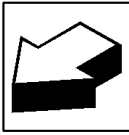
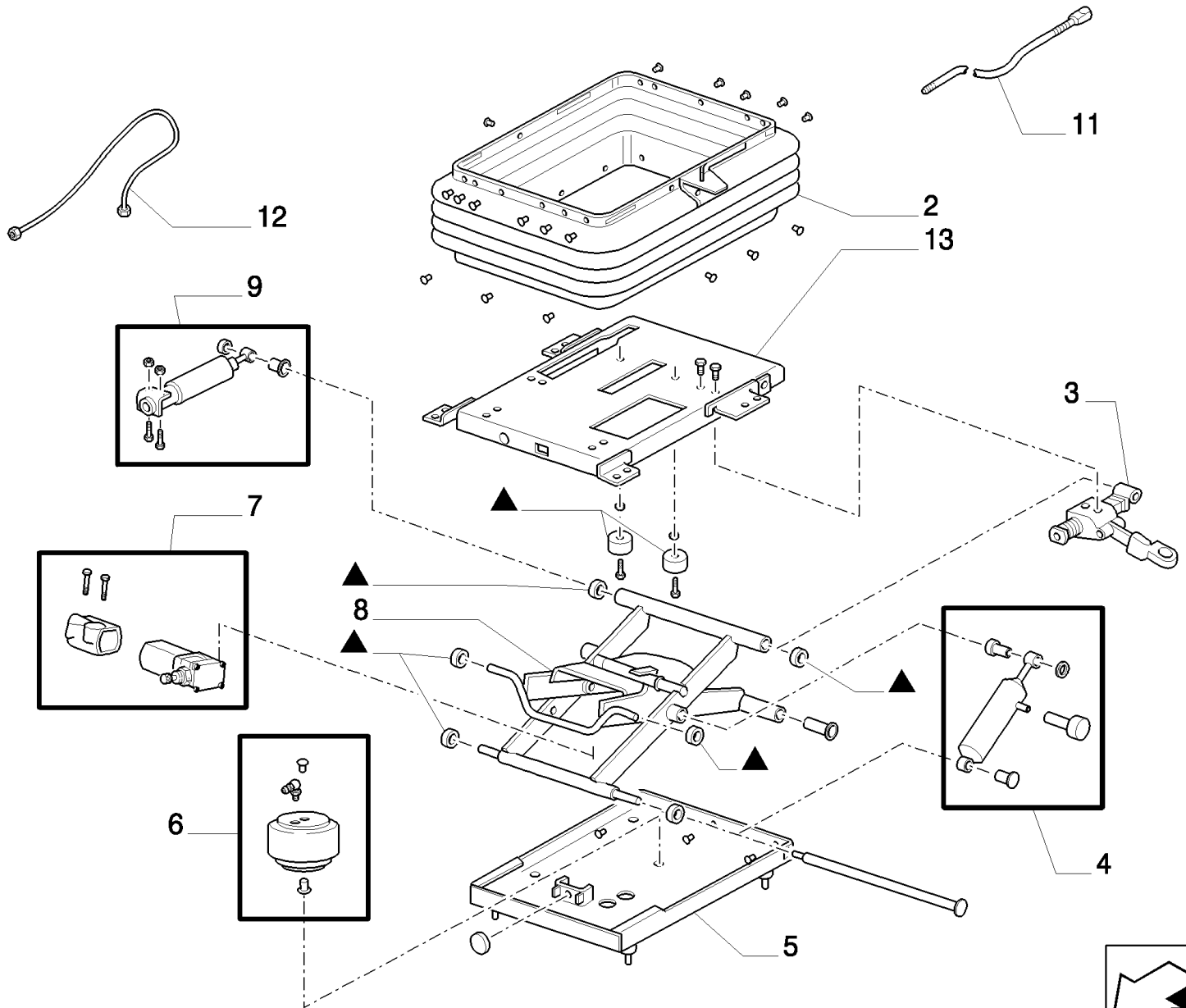
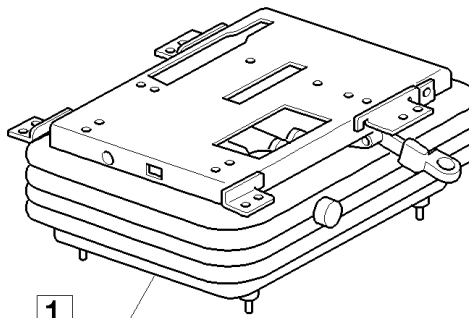
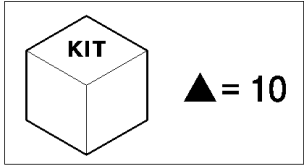
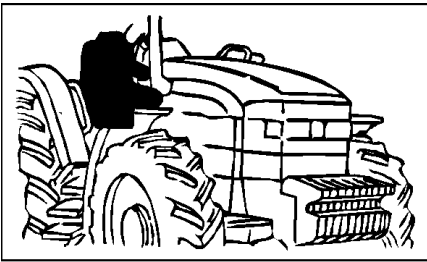


## MXM155 CASE IH TRACTOR (6/02- )

## 1.93.3/ B(02) DELUXE AIR SEAT WITH REELING SEAT BELT - BREAKDOWN

сылка	Номер детали	Кол-во	Описание
1	82020839	1	KIT, Knobs
2	82020809	1	KIT, Slide Lever
3	82020814	1	KIT, Slide
4	82020840	1	KIT, Swivel
5	82020923	1	BRACKET, Lever Support
6	82027643	1	SEAT, DRIVER, Assy

1.93.3/ B(03) DELUXE AIR SEAT WITH REELING SEAT BELT - BREAKDOWN

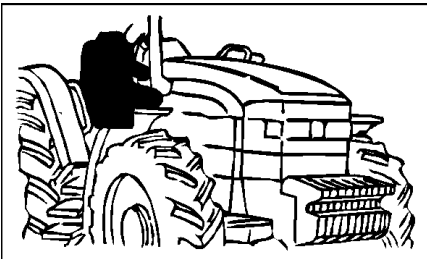


## MXM155 CASE IH TRACTOR (6/02- )

## 1.93.3/ B(03) DELUXE AIR SEAT WITH REELING SEAT BELT - BREAKDOWN

сылка	Номер детали	Кол-во	Описание
1	82020841	1	KIT, Suspension Assy
2	82020843	1	KIT, Suspension Boot
3	82021020	1	KIT, Fore/Aft Insulator
4	82020847	1	KIT, Suspension Shock Absorber
5	82020821	1	KIT, Lower Housing
6	82020819	1	KIT, Air Spring
7	82030804	1	KIT, Compressor
8	82020846	1	KIT, Suspension Scissors
9	82020830	1	KIT, Fore/Aft Shock Absorber
10	82020845	1	KIT, Bumper and Roller
11	82030808	1	KIT, Harness
12	82030806	1	KIT, Air Line
13	82020844	1	KIT, Upper Housing

1.93.3/ C(01) (VAR.964) DELUXE AIR SEAT WITH REELING SEAT BELT AND HEATED CUSHION - BREAKDOWN

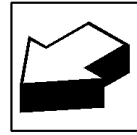
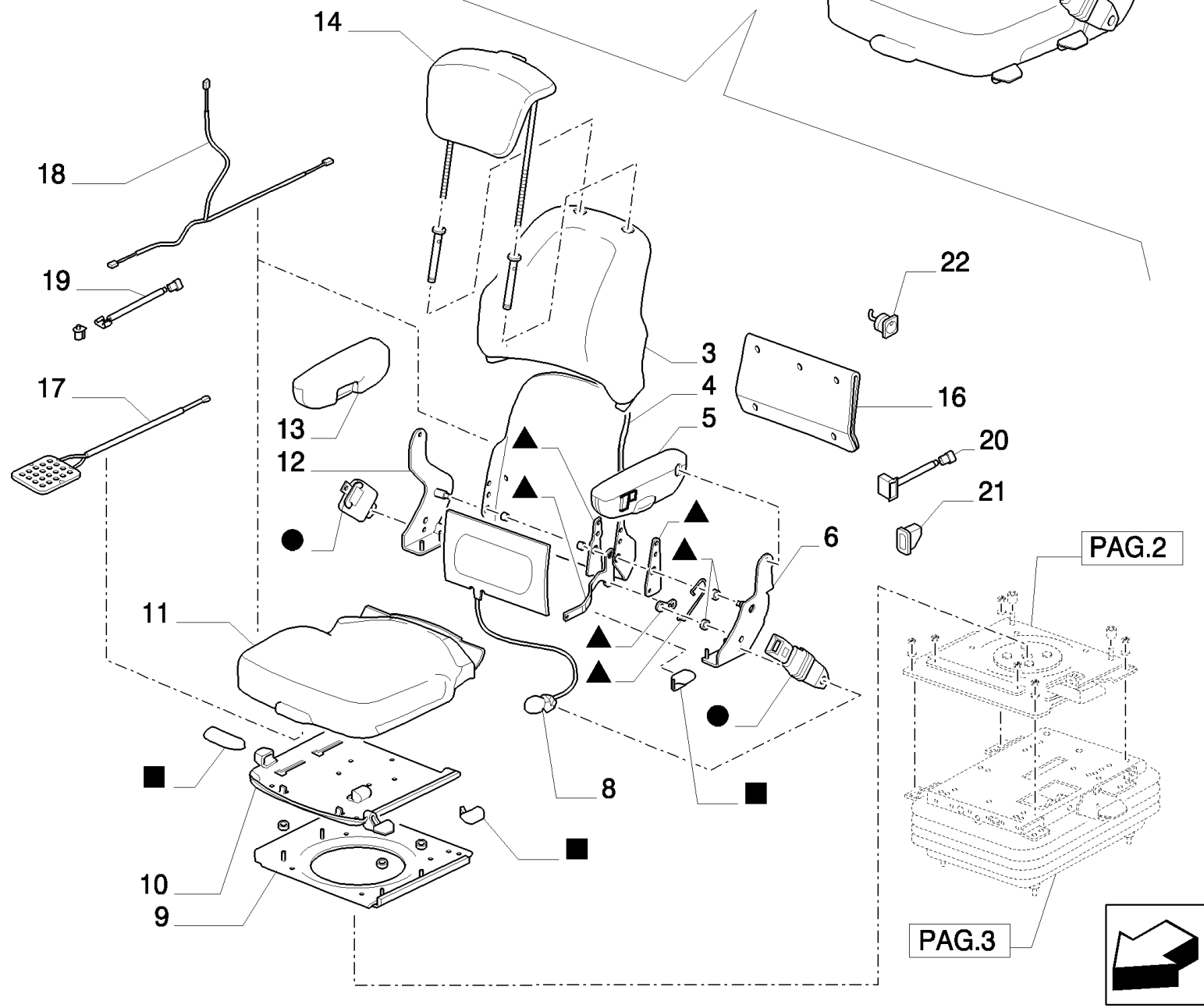
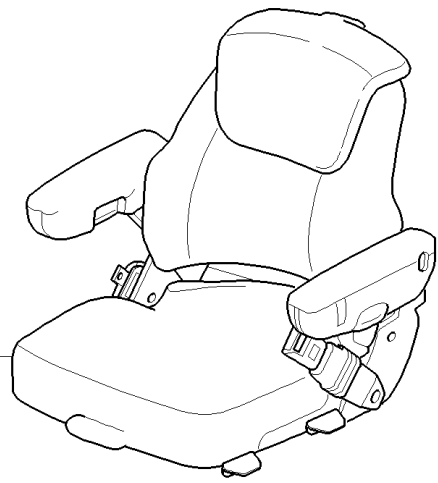
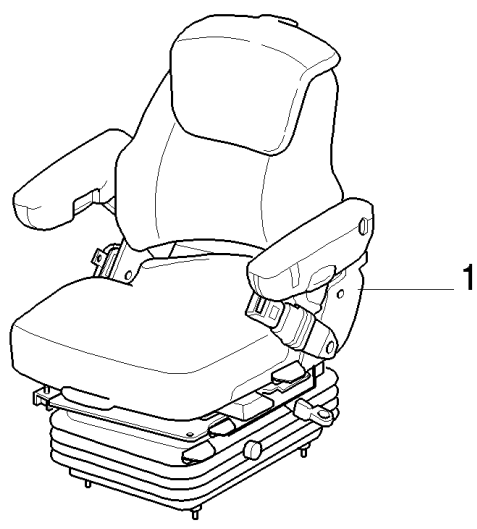


**KIT**

▲ = 7

● = 15

■ = 23

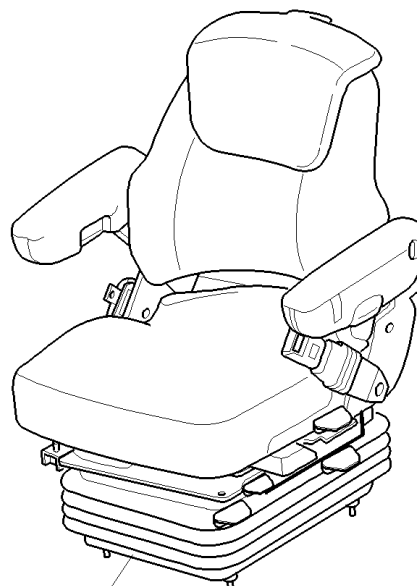
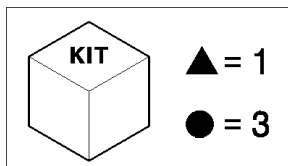
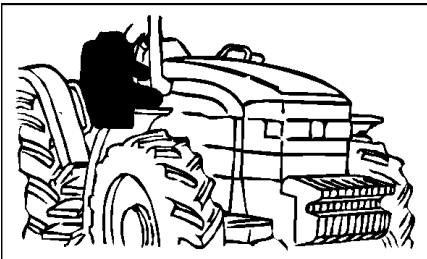




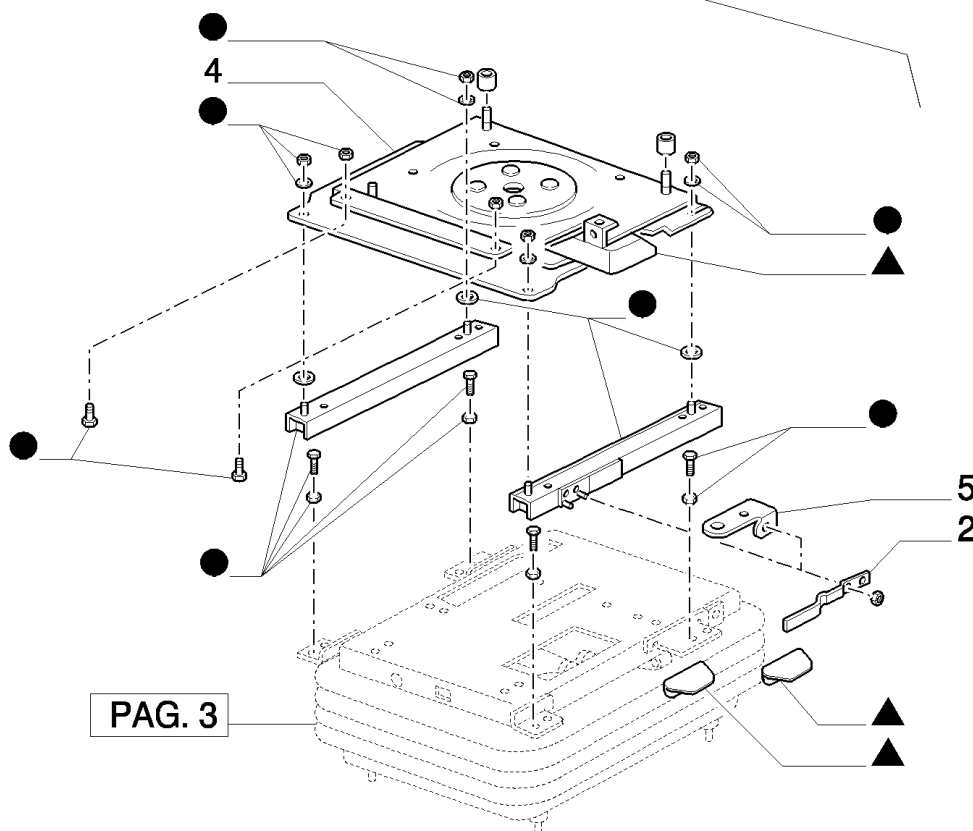
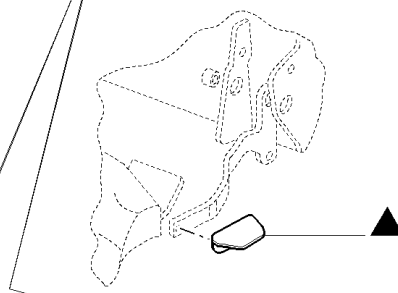
## 1.93.3/ C(01) (VAR.964) DELUXE AIR SEAT WITH REELING SEAT BELT AND HEATED CUSHION - BREAKDOWN

сылка	Номер детали	Кол-во	Описание
1	82023883	1	SEAT, DRIVER, Assy
2	82030826	1	SEAT, DRIVER, Assy
3	82036256	1	BACKREST, Heated
4	82020834	1	KIT, Back Pan
5	82030801	1	ARMREST, LH, Heated
6	82020804	1	BRACKET, LH Armrest
7	82020808	1	KIT, Recliner
8	82030802	1	KIT, Lumbar
9	82020836	1	KIT, Seat Pan
10	82020828	1	KIT, Cushion Extension
11	82030827	1	CUSHION, SEAT, Heated, -C5141
11	87308599	1	CUSHION, SEAT, Heated, D5141-
12	82020806	1	BRACKET, RH Armrest
13	82020807	1	ARMREST, RH
14	82030825	1	HEADREST, SEAT, Upper
15	82020831	1	KIT, Seat Belt
16	82030777	1	HOLDER,
17	82020813	1	KIT, Operator Presence Switch, -C5141
18	82030807	1	HARNESS, WIRE,
19	87308594	1	KIT, SERVICE, Operator Presence , D5141-
20	87308603	1	SWITCH, Height Control, -C5141
21	87308605	1	SWITCH, Height Control, D5141-
22	87308609	1	SWITCH, Heater
23	87308611	1	KIT, SERVICE,

1.93.3/ C(02) (VAR.964) DELUXE AIR SEAT WITH REELING SEAT BELT AND HEATED CUSHION - BREAKDOWN



6



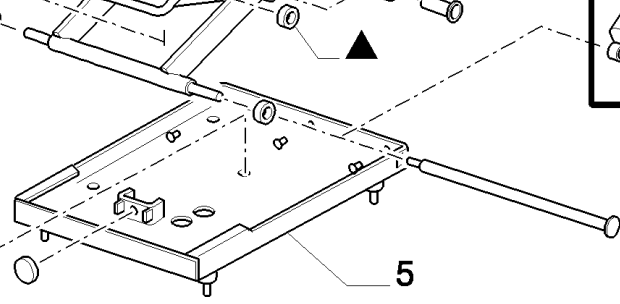
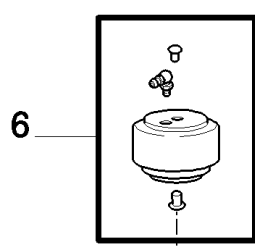
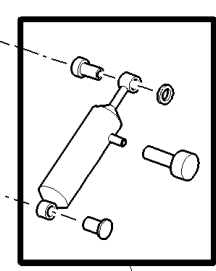
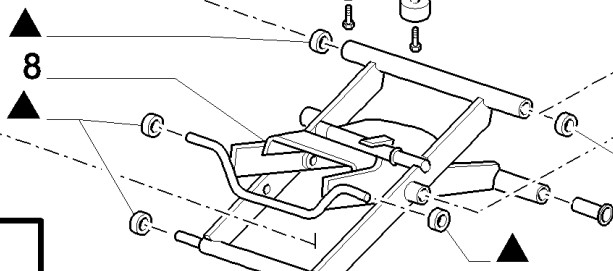
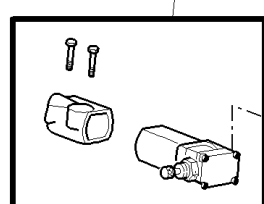
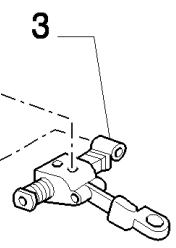
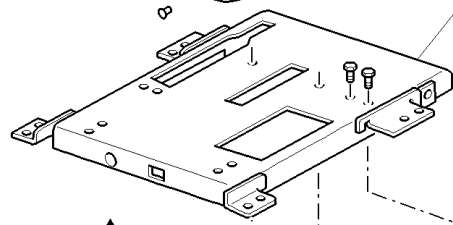
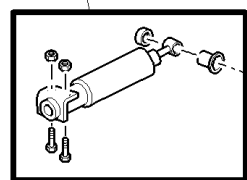
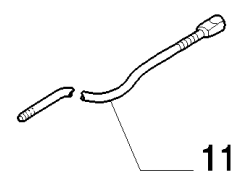
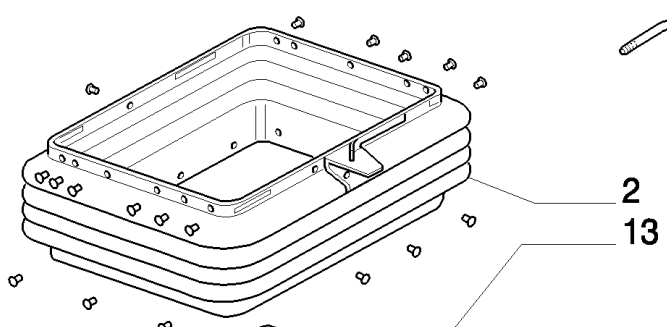
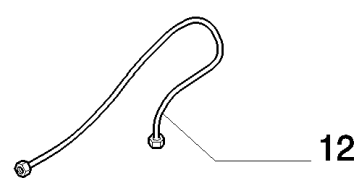
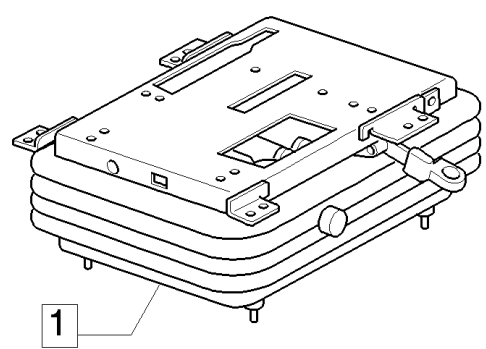
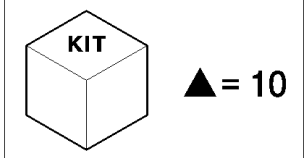
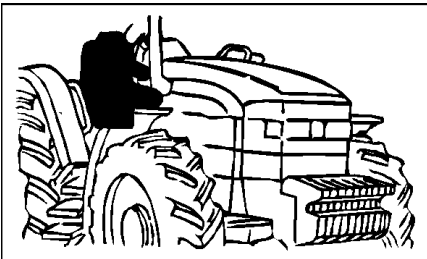
PAG. 3



MXM155 CASE IH TRACTOR (6/02- )

1.93.3/ C(02) (VAR.964) DELUXE AIR SEAT WITH REELING SEAT BELT AND HEATED CUSHION - BREAKDOWN

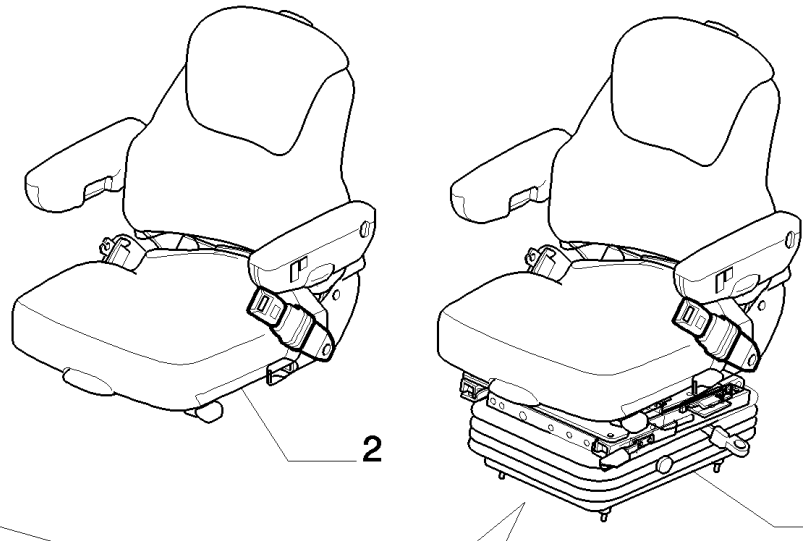
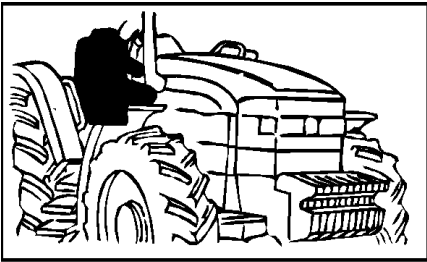
сылка	Номер детали	Кол-во	Описание
1	82020839	1	KIT, Knobs
2	82020809	1	KIT, Slide Lever
3	82020814	1	KIT, Slide
4	82020840	1	KIT, Swivel
5	82020923	1	BRACKET, Lever Support
6	82023883	1	SEAT, DRIVER, Assy



## MXM155 CASE IH TRACTOR (6/02- )

## 1.93.3/ C(03) (VAR.964) DELUXE AIR SEAT WITH REELING SEAT BELT AND HEATED CUSHION - BREAKDOWN

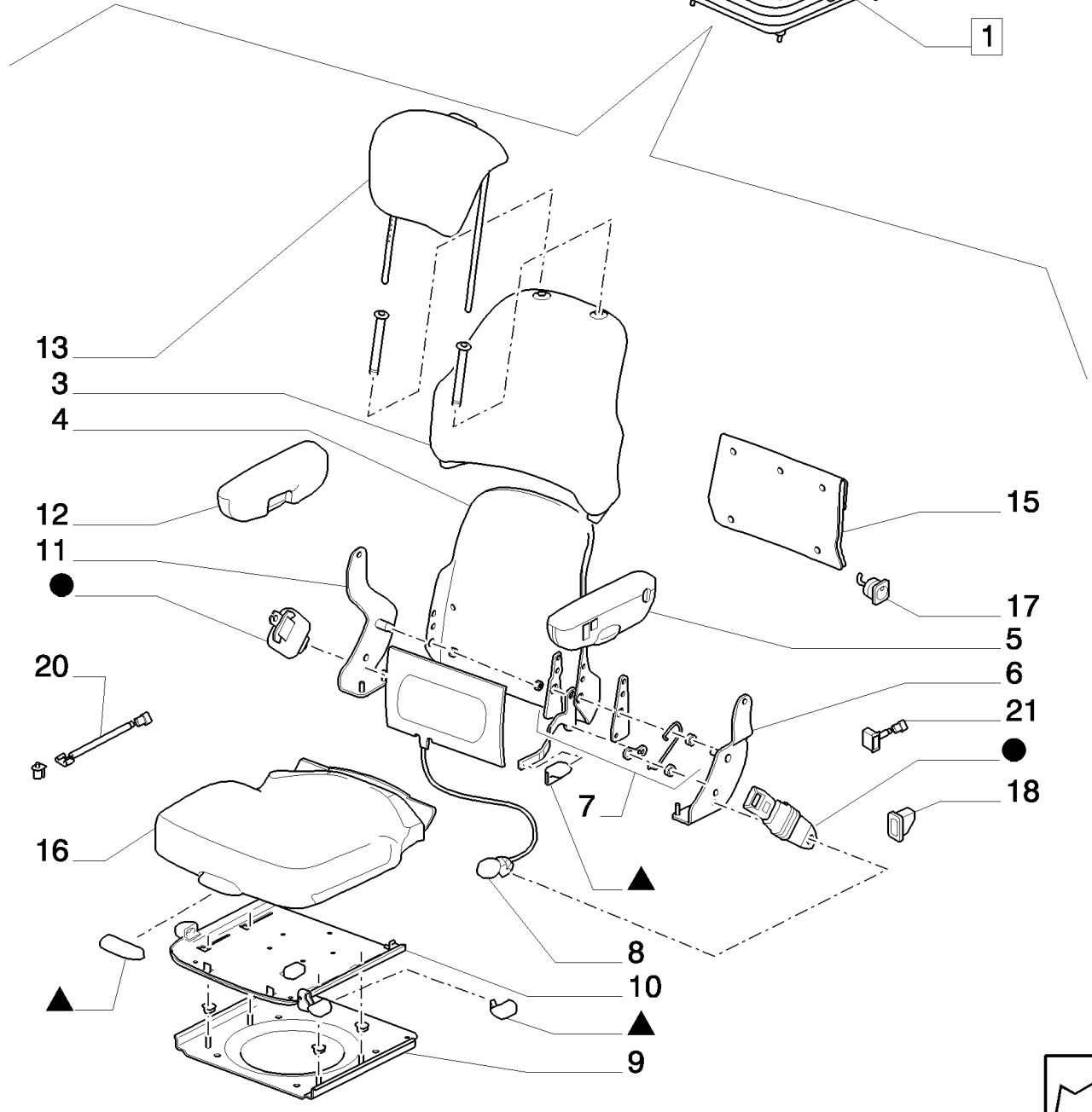
сылка	Номер детали	Кол-во	Описание
1	82020841	1	KIT, Suspension Assy
2	82020843	1	KIT, Suspension Boot
3	82021020	1	KIT, Fore/Aft Insulator
4	82020847	1	KIT, Suspension Shock Absorber
5	82020821	1	KIT, Lower Housing
6	82020819	1	KIT, Air Spring
7	82030804	1	KIT, Compressor
8	82020846	1	KIT, Suspension Scissors
9	82020830	1	KIT, Fore/Aft Shock Absorber
10	82020845	1	KIT, Bumper and Roller
11	82030805	1	HARNESS, WIRE,
12	82030806	1	KIT, Air Line
13	82020844	1	KIT, Upper Housing



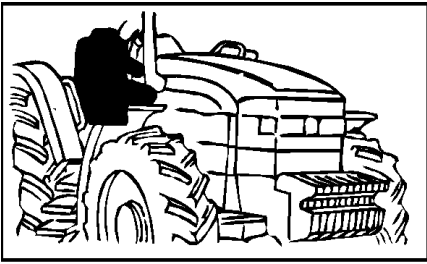
**KIT**

● = 14

▲ = 19



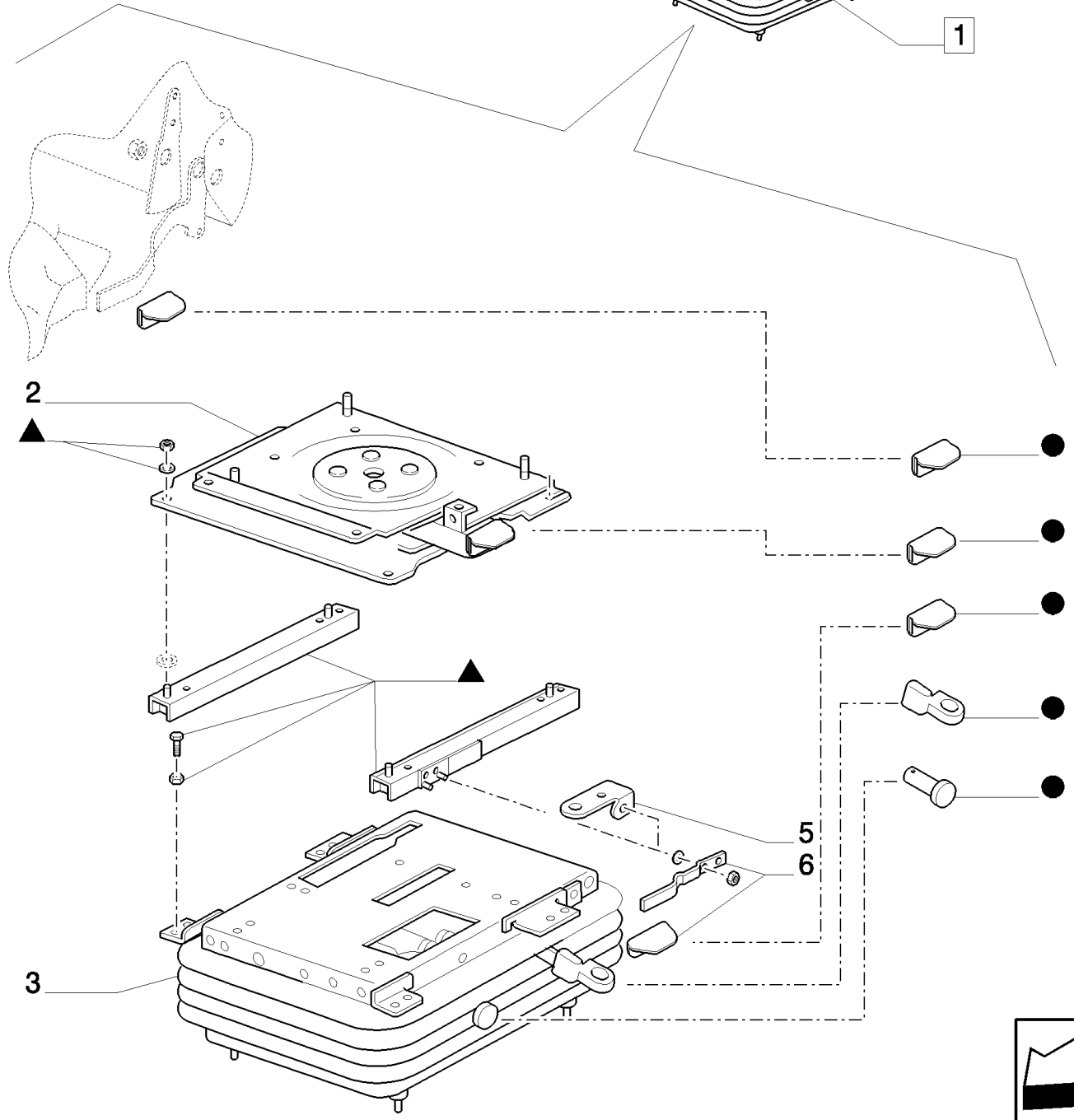
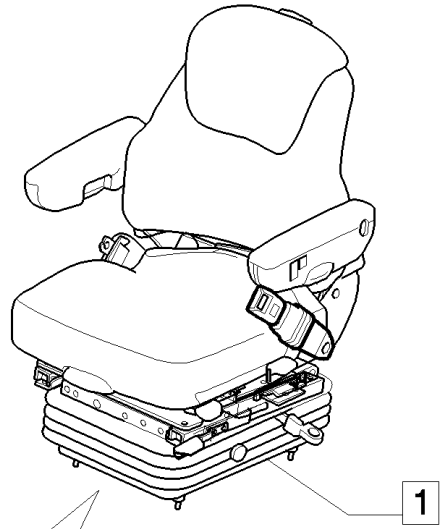
сылка	Номер детали	Кол-во	Описание
1	82036743	1	SEAT, DRIVER, Assy
2	87308613	1	SEAT, Assy
3	87308616	1	BACKREST,
4	82020834	1	KIT, Back Pan
5	82030801	1	ARMREST, LH
6	82020804	1	BRACKET, LH Armrest
7	82020808	1	KIT, Recliner
8	82030802	1	KIT, Lumbar
9	82020836	1	KIT, Seat Pan
10	82020828	1	KIT, Cushion Extension
11	82020806	1	BRACKET, RH Armrest
12	82020807	1	ARMREST, RH
13	87308623	1	HEADREST, SEAT,
14	82020831	1	KIT, Seat Belt
15	82030777	1	HOLDER,
16	87308617	1	CUSHION, SEAT,
17	87308609	1	SWITCH, Heater
18	87308605	1	SWITCH, Height Control, D5141-
19	87308611	1	KIT, SERVICE,
20	87308594	1	KIT, SERVICE,
21	87308603	1	SWITCH, Height Control, -C5141



**KIT**

● = 4

▲ = 7

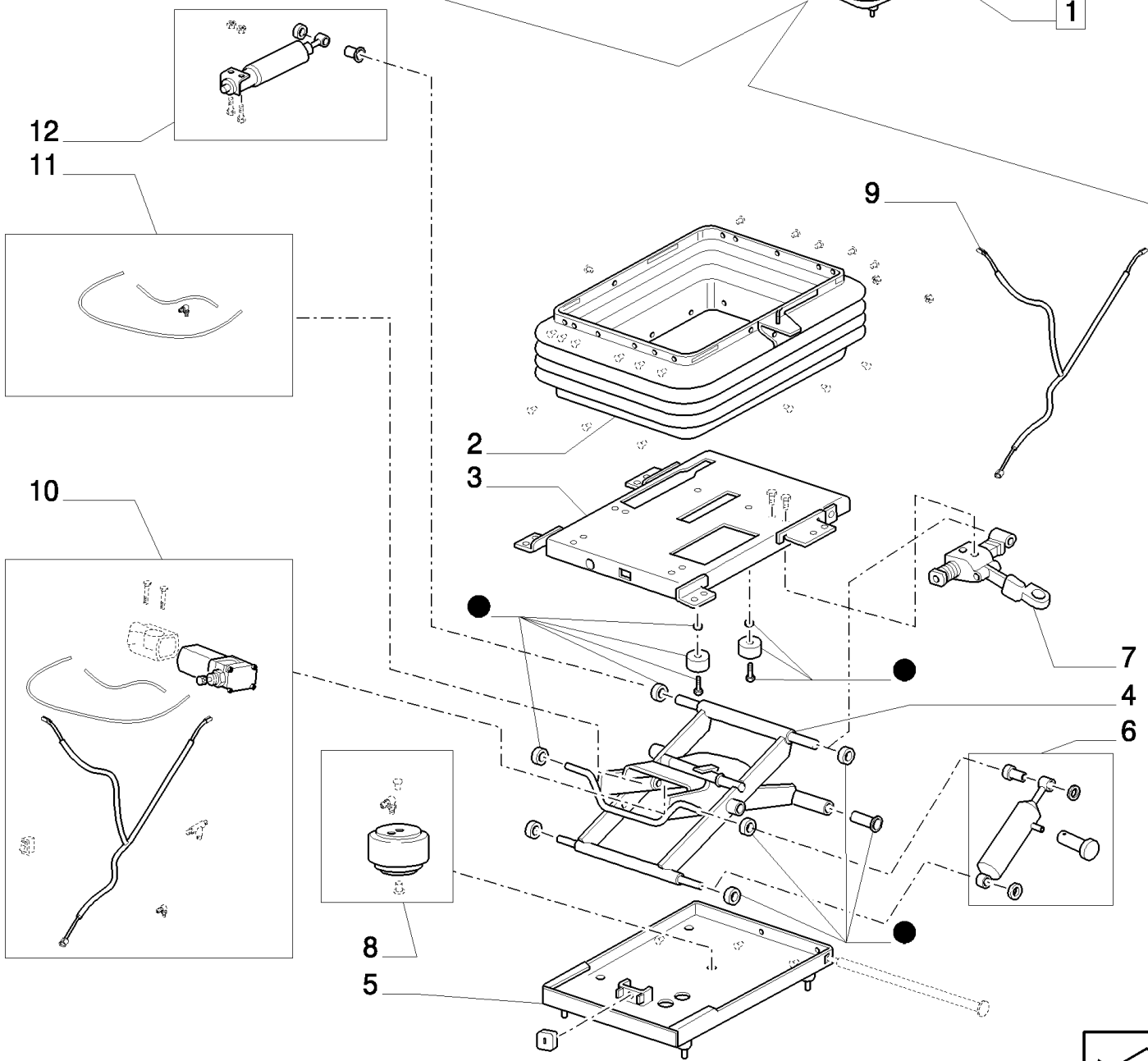
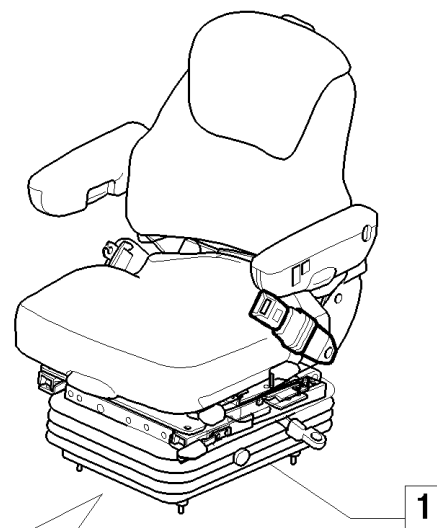
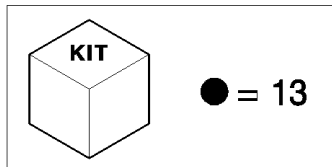
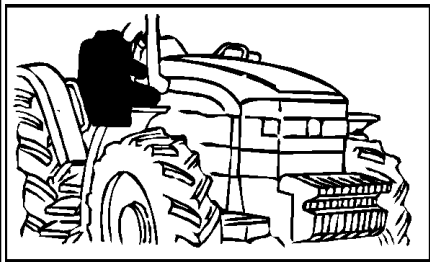




MXM155 CASE IH TRACTOR (6/02- )

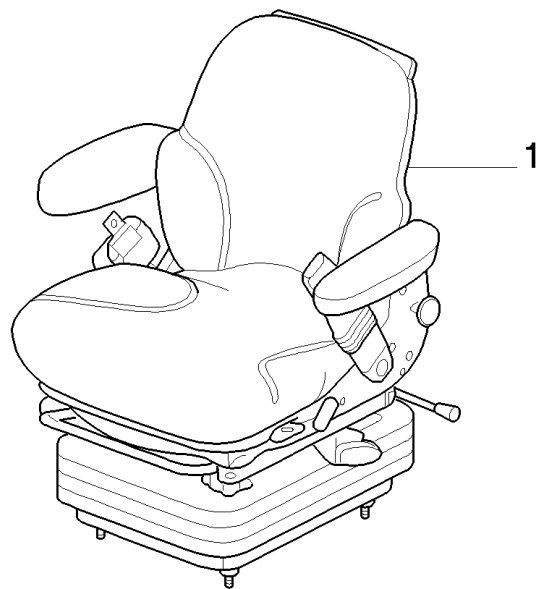
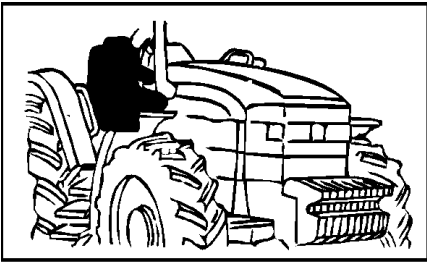
1.93.3/ D(02) (VAR.319) DELUXE AIR SEAT WITH REELING SEAT BELT AND HEATED CUSHION IN RED LEATHER - BREAKDOWN

сылка	Номер детали	Кол-во	Описание
1	82036743	1	SEAT, DRIVER, Assy
2	82020840	1	KIT, Swivel
3	82039689	1	SUSPENSION,
4	82020839	1	KIT, Knobs
5	82020923	1	BRACKET, Lever Support
6	82020809	1	KIT, Slide Lever
7	82020814	1	KIT, Slide



сылка	Номер детали	Кол-во	Описание
1	82036743	1	SEAT, DRIVER, Assy
2	82020843	1	KIT, Suspension Boot
3	82020844	1	KIT, Upper Housing
4	82020846	1	KIT, Suspension Scissors
5	82020821	1	KIT, Lower Housing
6	82020847	1	KIT, Suspension Shock Absorber
7	82021020	1	KIT, Fore/Aft Insulator
8	82020819	1	KIT, Air Spring
9	82030805	1	HARNESS, WIRE,
10	87308627	1	COMPRESSOR,
11	82030806	1	KIT, Air Line
12	82020830	1	KIT, Fore/Aft Shock Absorber
13	82020845	1	KIT, Bumper and Roller

1.93.3/ E(01) AIR SEAT WITH SEAT BELT - BREAKDOWN



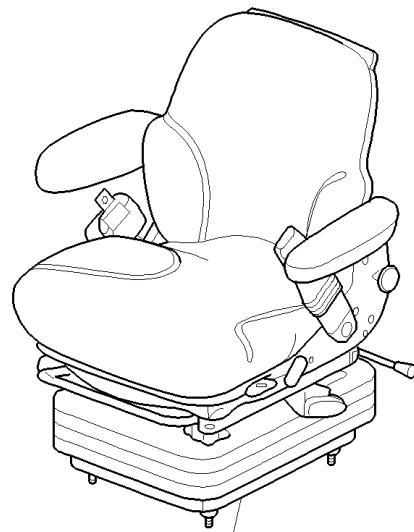
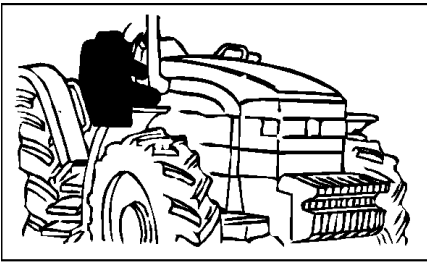
MXM155 CASE IH TRACTOR (6/02- )

1.93.3/ E(01) AIR SEAT WITH SEAT BELT - BREAKDOWN

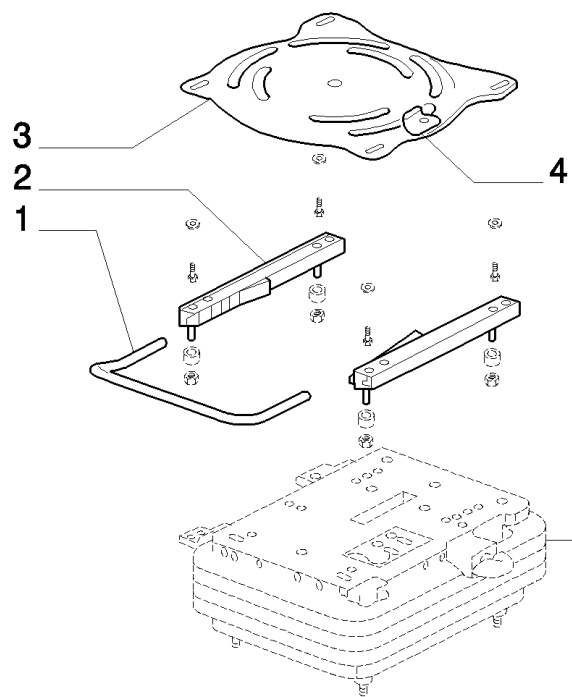
сылка	Номер детали	Кол-во	Описание
1	87342443	1	SEAT, DRIVER, Assy, D5227-

D5227 After Date 16 August 2005

1.93.3/ E(02) AIR SEAT WITH SEAT BELT - BREAKDOWN



5



3  
2  
1

4

PAG.3

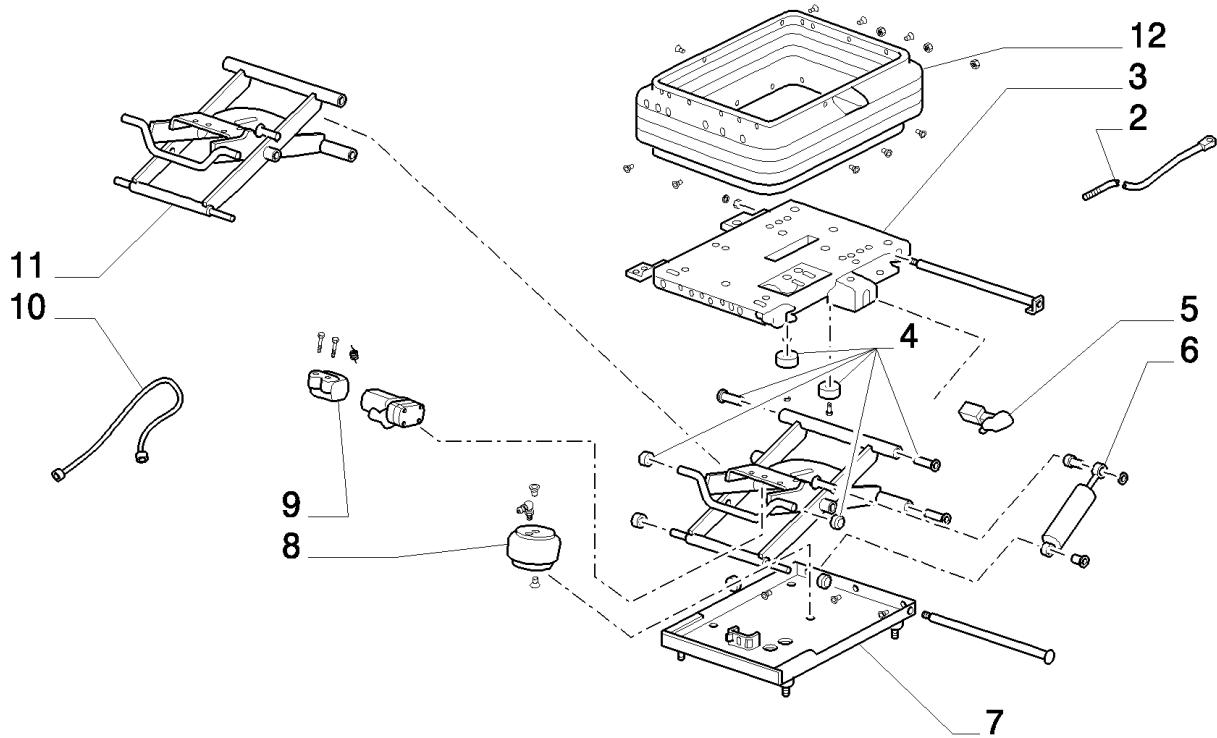
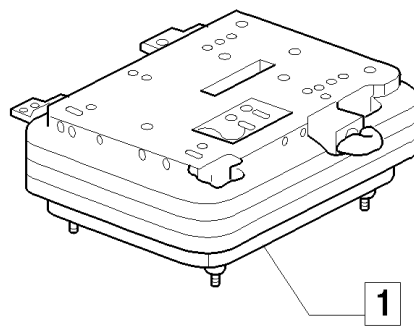
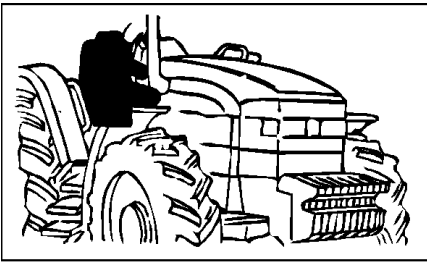


## MXM155 CASE IH TRACTOR (6/02- )

## 1.93.3/ E(02) AIR SEAT WITH SEAT BELT - BREAKDOWN

сылка	Номер детали	Кол-во	Описание
1	87346572	1	KIT, SERVICE, , D5227-
2	87346577	1	SLIDE, , D5227-
3	87346583	1	PIVOT, , D5227-
4	87346592	1	KIT, SERVICE, , D5227-
5	87342443	1	SEAT, DRIVER, Assy, D5227-

1.93.3/ E(03) AIR SEAT WITH SEAT BELT - SUSPENSION





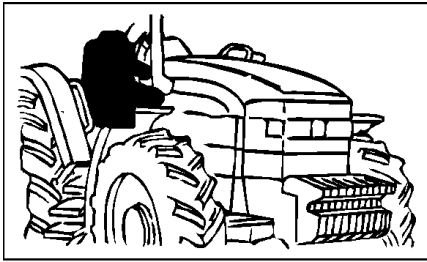
## MXM155 CASE IH TRACTOR (6/02- )

## 1.93.3/ E(03) AIR SEAT WITH SEAT BELT - SUSPENSION


сылка	Номер детали	Кол-во	Описание
1	87346574	1	SUSPENSION, , D5227-
2	82030778	1	HARNESS, WIRE, , D5227-
3	82020820	1	KIT, Upper Housing, D5227-
4	82020822	1	KIT, Suspension Bearing, D5227-
5	82020825	1	VALVE, , D5227-
6	82020824	1	KIT, Shock Absorber, D5227-
7	82020821	1	KIT, Lower Housing, D5227-
8	82020819	1	KIT, Air Spring, D5227-
9	82030779	1	KIT, Compressor, D5227-
10	82030780	1	KIT, Air Line, D5227-
11	82020823	1	KIT, Suspension Scissor, D5227-
12	82020818	1	BELLOWS, , D5227-

D5227 After Date 16 August 2005

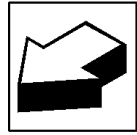
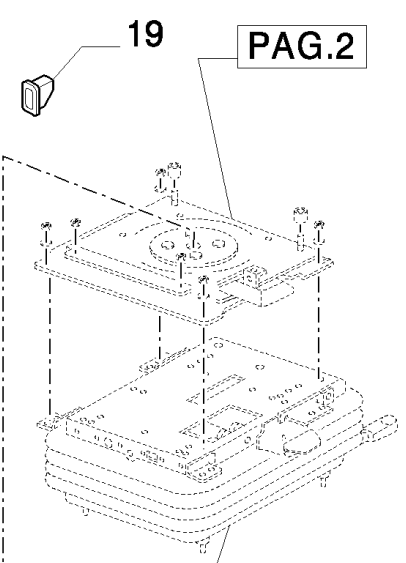
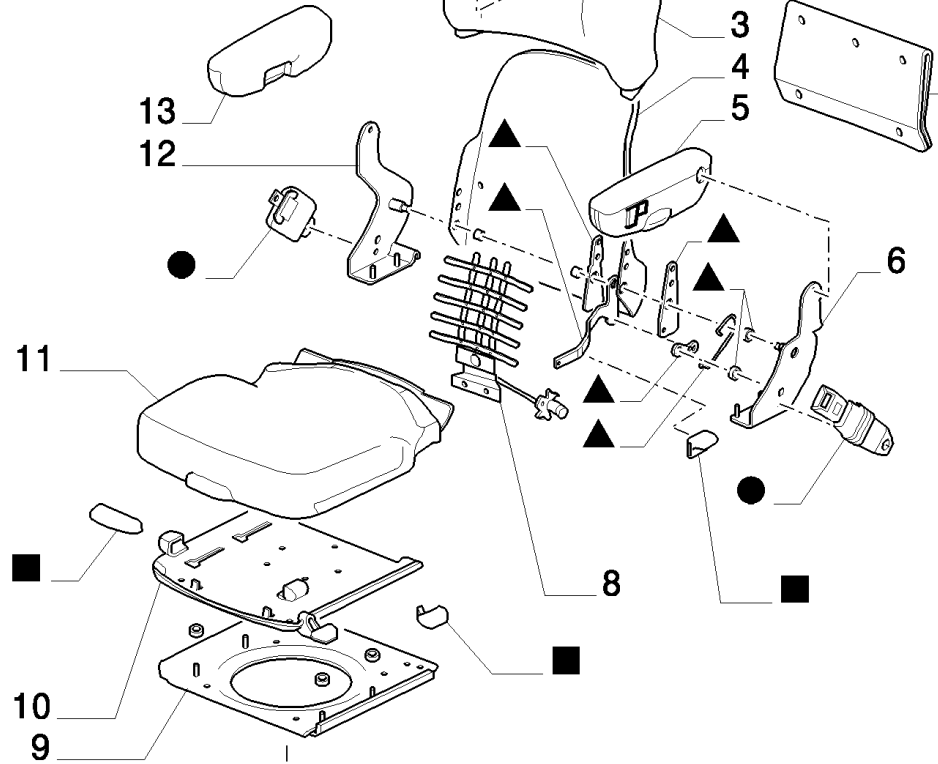
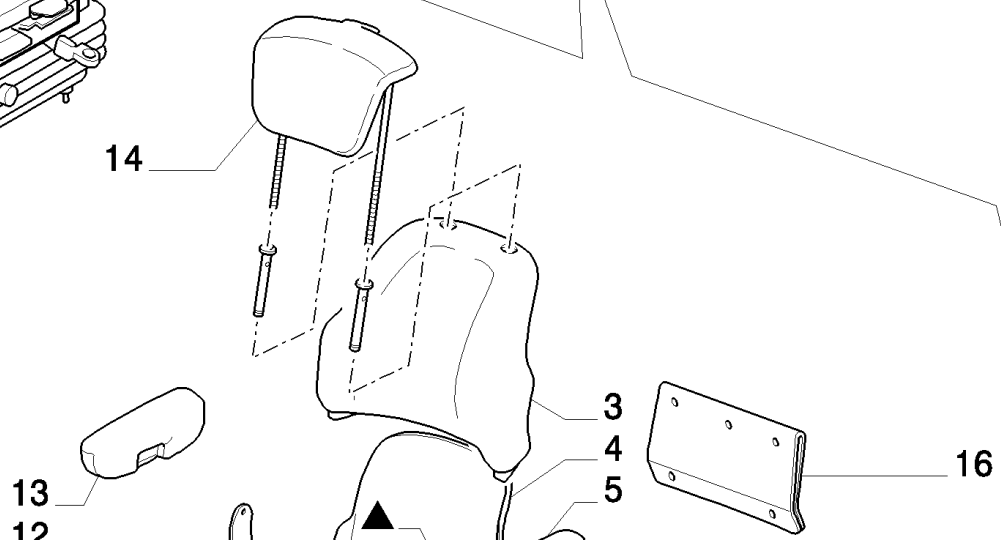
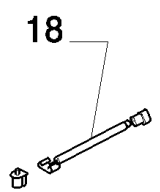
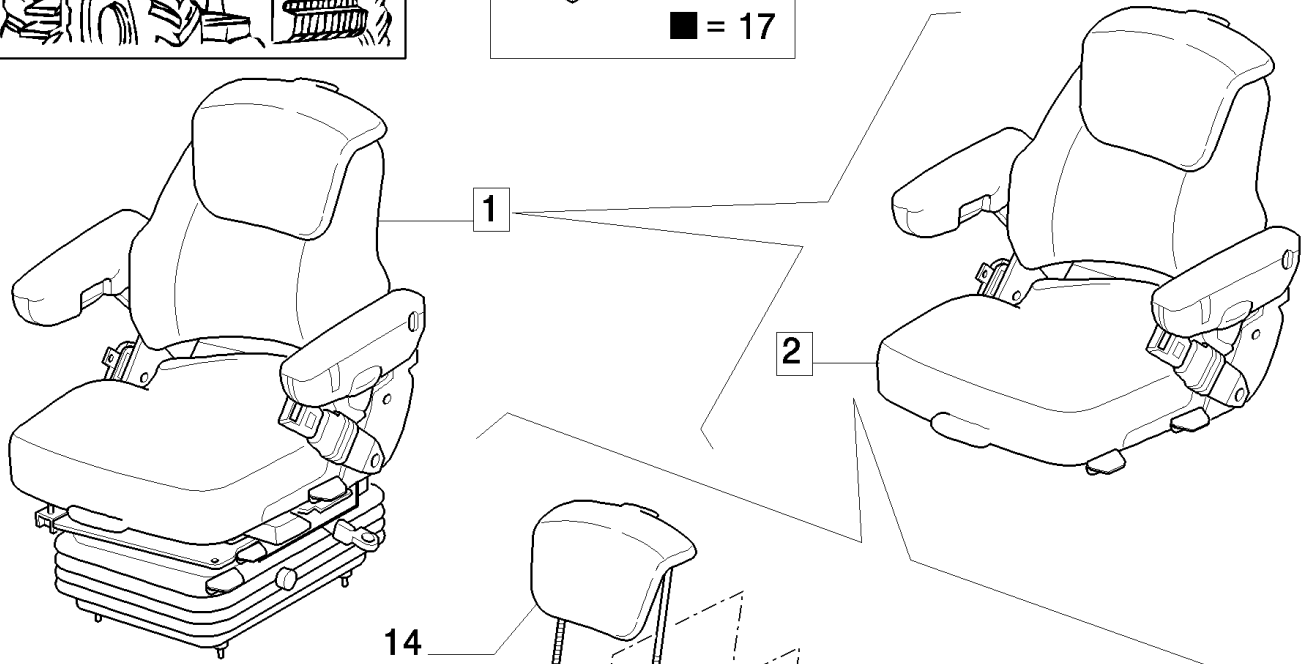
1.93.3/ F(01) DELUXE AIR SEAT WITH REELING SEAT BELT - BREAKDOWN



**KIT**



▲ = 7  
● = 15  
■ = 17

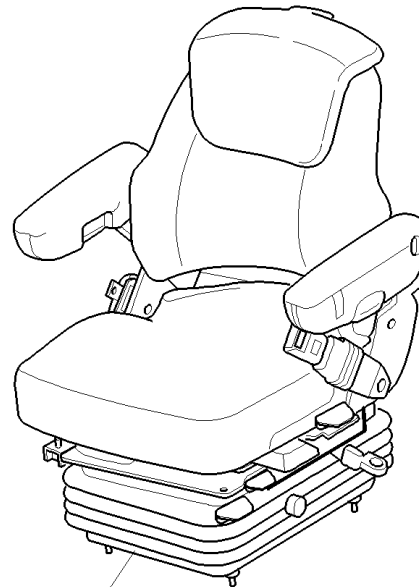
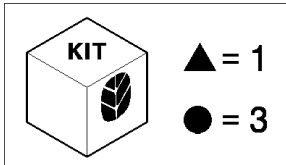
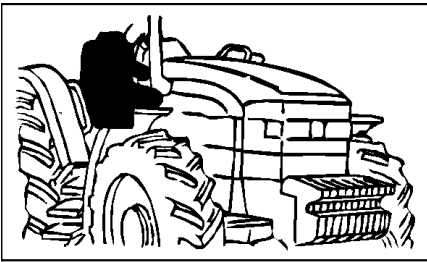


## MXM155 CASE IH TRACTOR (6/02- )

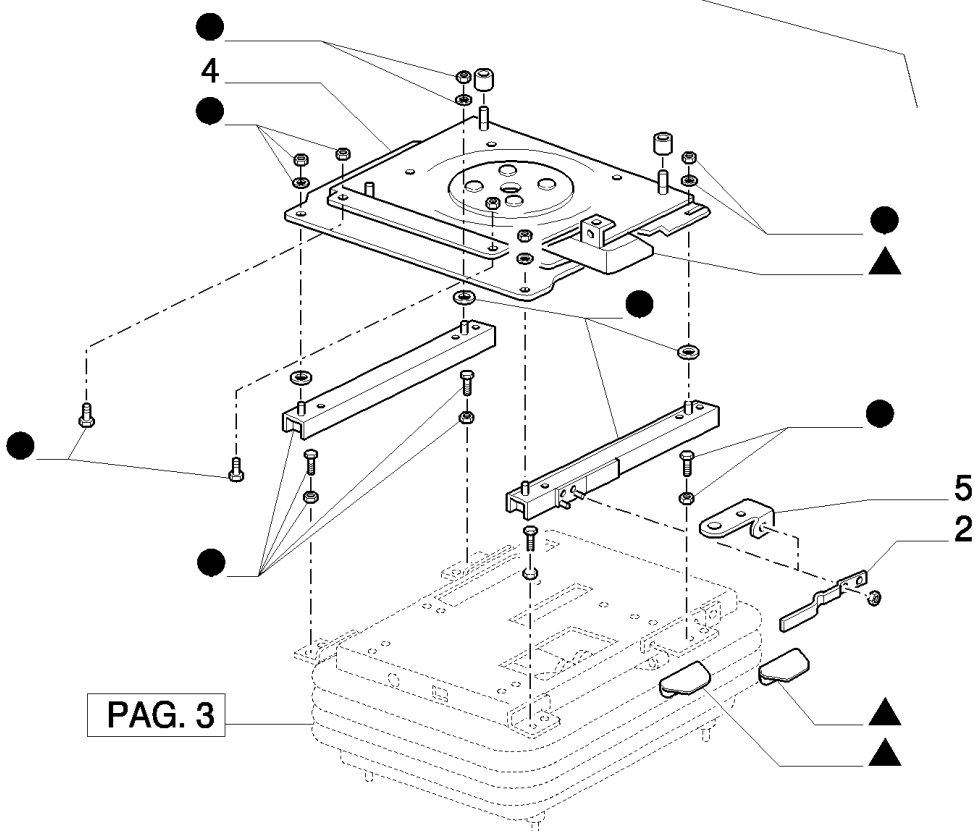
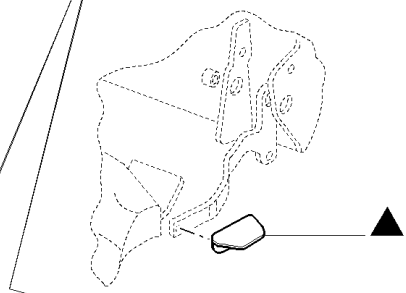
## 1.93.3/ F(01) DELUXE AIR SEAT WITH REELING SEAT BELT - BREAKDOWN

сылка	Номер детали	Кол-во	Описание
1	87363494	1	SEAT, DRIVER, Assy
2	87515363	1	SEAT, Assy, W/Armrests
3	82030782	1	SEAT, BACK, Back
4	87367813	1	KIT, SERVICE, Back Pan
5	82020837	1	ARMREST, LH
6	82020804	1	BRACKET, LH, Armrest
7	82020808	1	KIT, Recliner
8	87367816	1	KIT, Lumbar
9	82020836	1	KIT, Seat Pan
10	82020828	1	KIT, Cushion Extension
11	87308597	1	CUSHION, SEAT,
12	82020806	1	BRACKET, RH, Armrest
13	82020807	1	ARMREST, RH
14	82030825	1	HEADREST, SEAT, Upper, Include two plastic tubes
15	82020831	1	KIT, Seat Belt
16	82030777	1	HOLDER,
17	87308611	1	KIT, SERVICE,
18	87308594	1	KIT, SERVICE, Operator Presence
19	87308605	1	SWITCH, Height Control

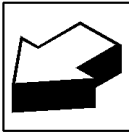
1.93.3/ F(02) DELUXE AIR SEAT WITH REELING SEAT BELT - BREAKDOWN



6



PAG. 3

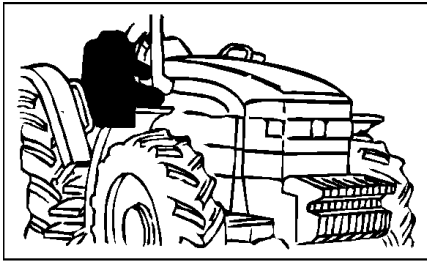


MXM155 CASE IH TRACTOR (6/02- )

1.93.3/ F(02) DELUXE AIR SEAT WITH REELING SEAT BELT - BREAKDOWN

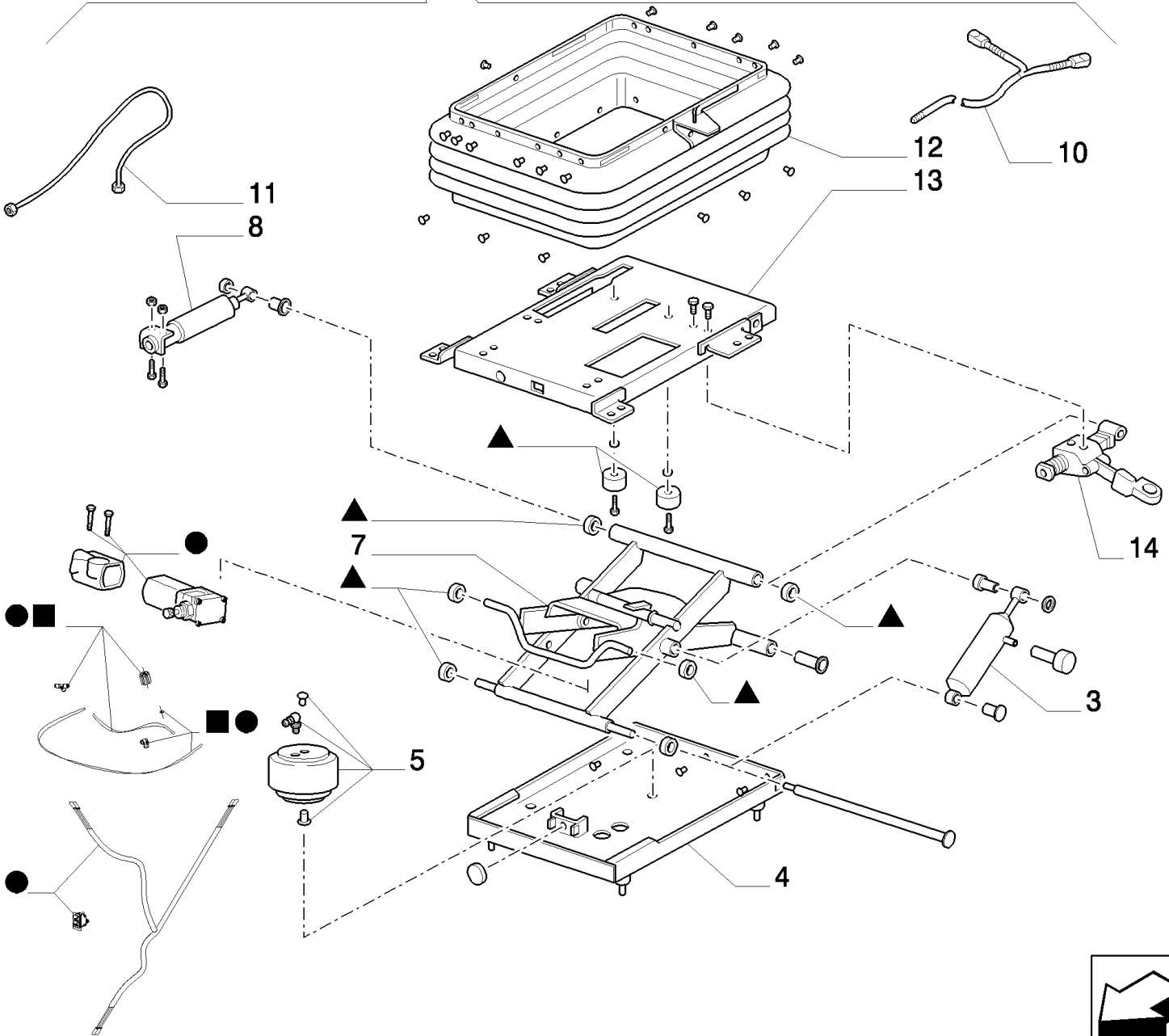
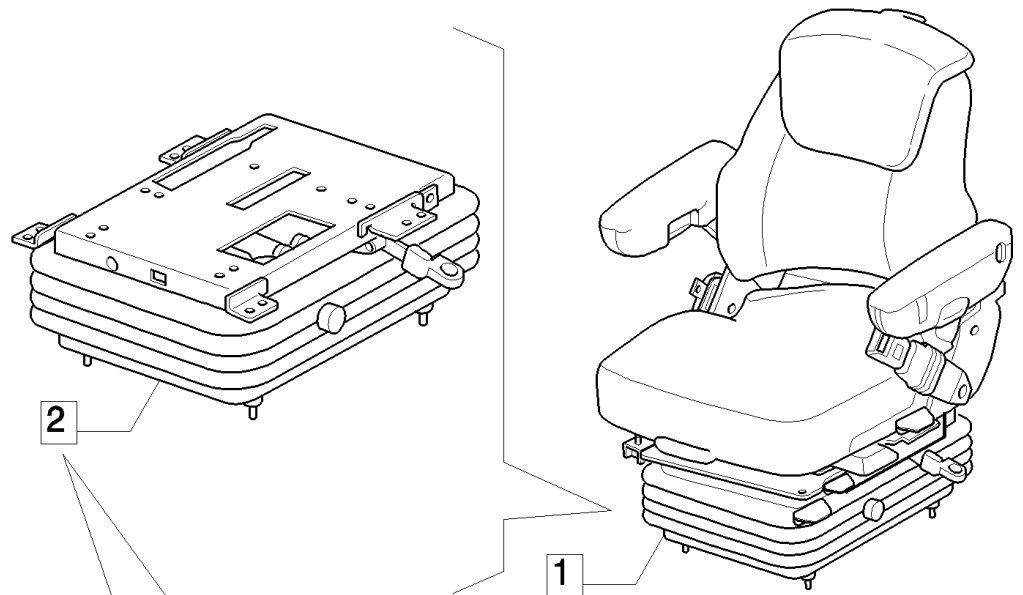
сылка	Номер детали	Кол-во	Описание
1	87363494	1	SEAT, DRIVER, Assy
2	82020840	1	KIT, Swivel
3	82020839	1	KIT, Lever Support
4	82020809	1	KIT, Slide Lever
5	82020923	1	BRACKET, Lever Support
6	82020814	1	KIT, Slide

1.93.3/ F(03) DELUXE AIR SEAT WITH REELING SEAT BELT - BREAKDOWN



**KIT**

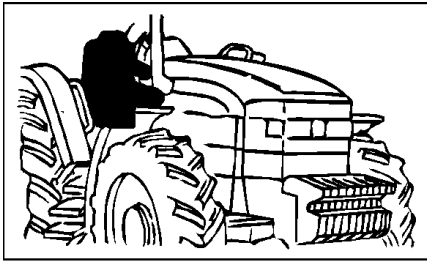
● = 6  
■ = 9  
▲ = 11



## MXM155 CASE IH TRACTOR (6/02- )

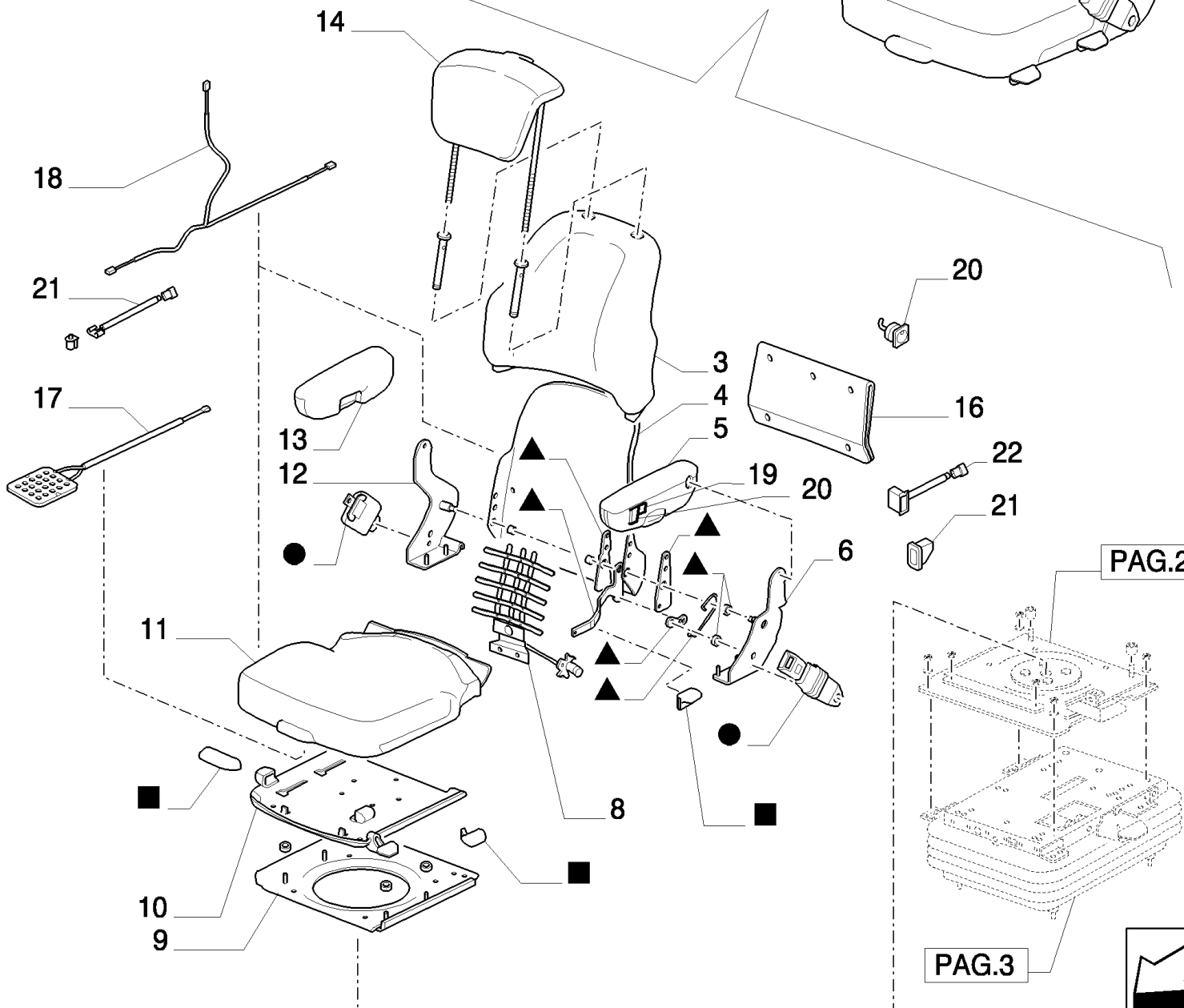
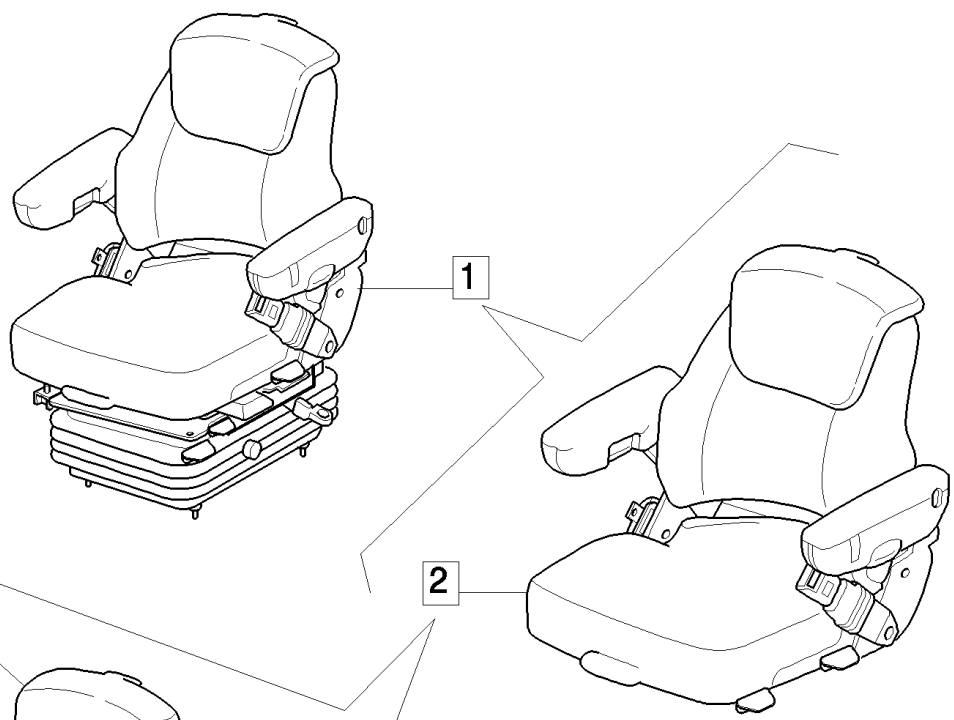
## 1.93.3/ F(03) DELUXE AIR SEAT WITH REELING SEAT BELT - BREAKDOWN

сылка	Номер детали	Кол-во	Описание
1	87363494	1	SEAT, DRIVER, Assy
2	82039689	1	SUSPENSION, Assy
3	82020847	1	KIT, Suspension Shock Absorber
4	82020821	1	KIT, Lower Housing
5	82020819	1	KIT, Air Spring
6	87515350	1	KIT, Compressor
7	82020846	1	KIT, Suspension Scissors
8	82020830	1	KIT, Fore/Aft Shock Absorber
9	82020845	1	KIT, Bumper and Roller
10	87363510	1	
11	87352578	1	KIT, SERVICE, Air line
12	82020843	1	KIT, Suspension Boot
13	82020844	1	KIT, Upper Housing
14	82021020	1	KIT, Fore/Aft Insulator



**KIT**

▲ = 7  
● = 15  
■ = 19



PAG.2

PAG.3



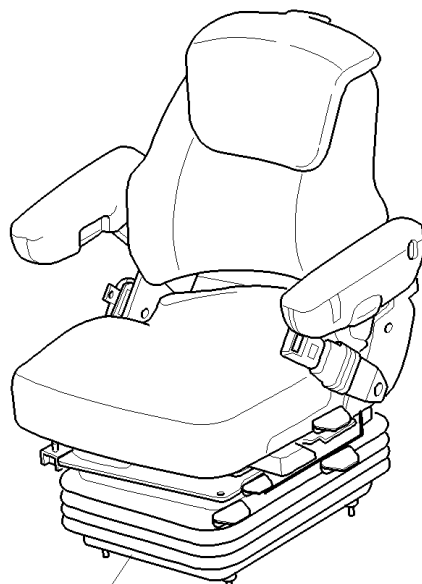
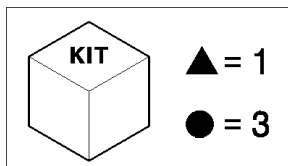
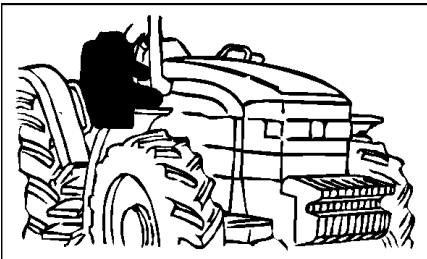


## MXM155 CASE IH TRACTOR (6/02- )

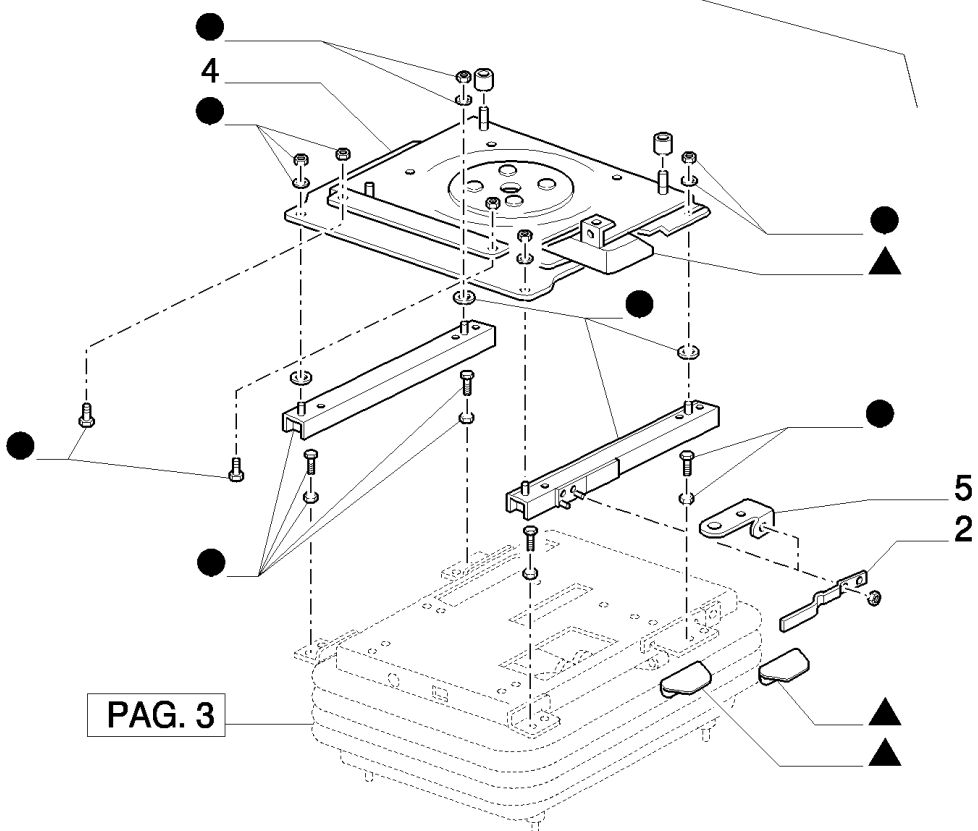
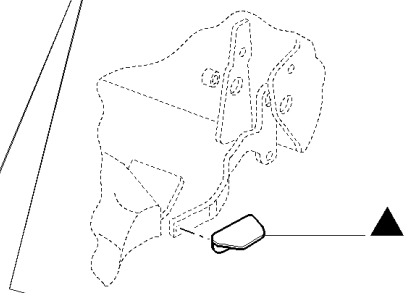
## 1.93.3/ G(01) (VAR.964) DELUXE AIR SEAT WITH REELING SEAT BELT AND HEATED CUSHION - BREAKDOWN

сылка	Номер детали	Кол-во	Описание
1	87363496	1	SEAT, DRIVER, Assy
2	87515356	1	SEAT, Assy
3	82036256	1	BACKREST,
4	87367813	1	KIT, SERVICE, Back Pan
5	82030801	1	ARMREST, LH
6	82020804	1	BRACKET, LH Armrest
7	82020808	1	KIT, Recliner
8	87367816	1	KIT, Lumbar
9	82020836	1	KIT, Seat Pan
10	82020828	1	KIT, Cushion Extension
11	87308599	1	CUSHION, SEAT,
12	82020806	1	BRACKET, RH Armrest
13	82020807	1	ARMREST, RH
14	82030825	1	HEADREST, SEAT, Upper, Include two plastic tubes
15	82020831	1	KIT, Seat Belt
16	82030777	1	HOLDER,
17	87308594	1	KIT, SERVICE, Operator Presence
18	87367527	1	HARNESS, WIRE,
19	87308611	1	KIT, SERVICE,
20	87308609	1	SWITCH, Heater
21	87308605	1	SWITCH, Height Control

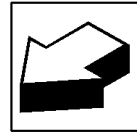
1.93.3/ G(02) (VAR.964) DELUXE AIR SEAT WITH REELING SEAT BELT AND HEATED CUSHION - BREAKDOWN



6

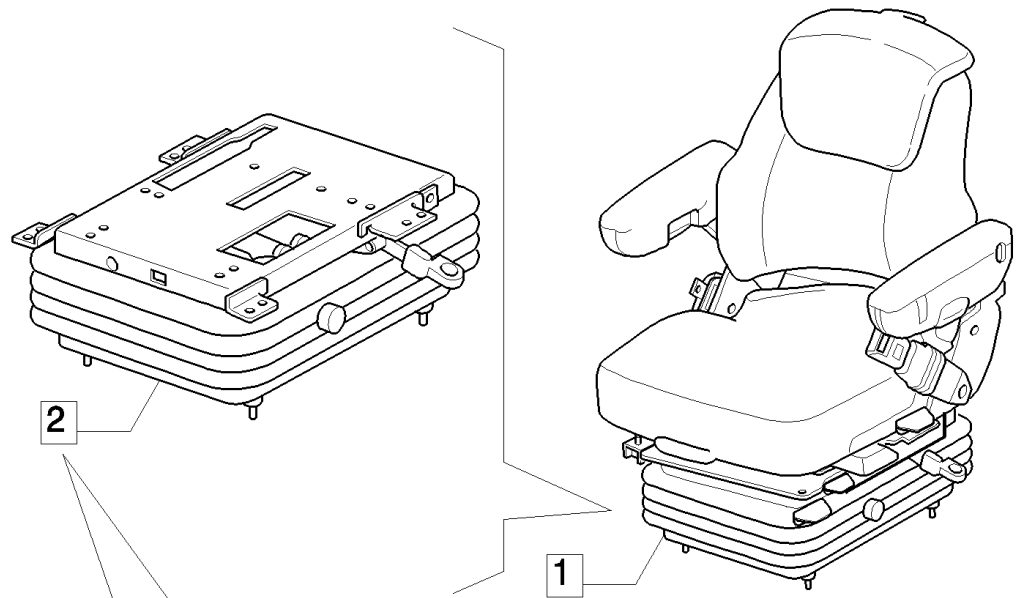
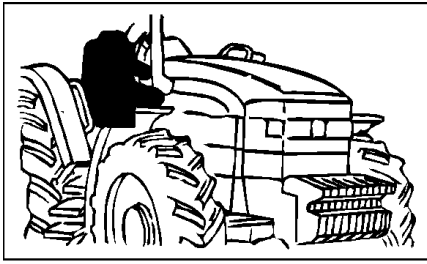


PAG. 3



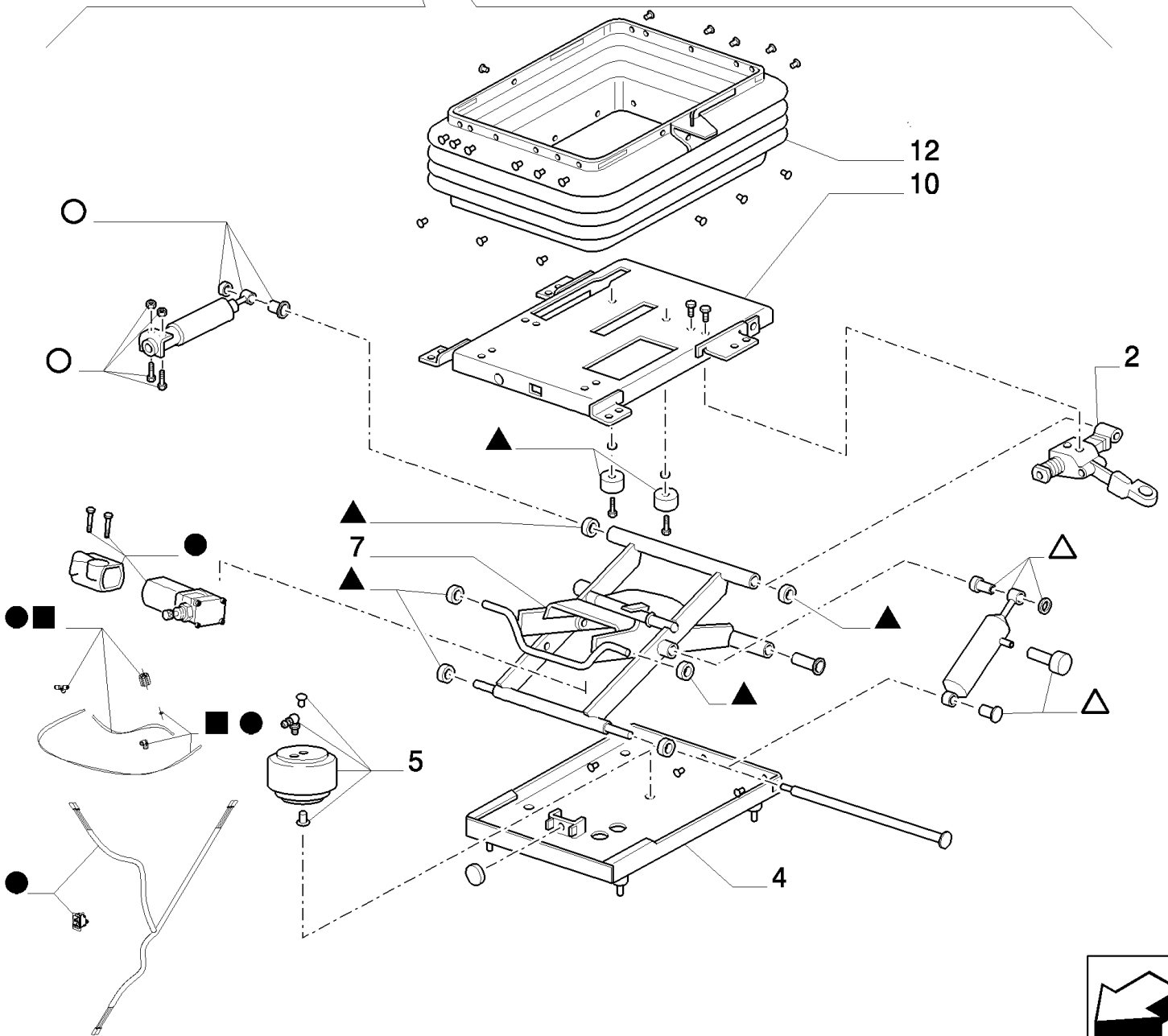
## 1.93.3/ G(02) (VAR.964) DELUXE AIR SEAT WITH REELING SEAT BELT AND HEATED CUSHION - BREAKDOWN

сылка	Номер детали	Кол-во	Описание
1	87363496	1	SEAT, DRIVER, Assy
2	82020840	1	KIT, Swivel
3	82020839	1	KIT, Knobs
4	82020809	1	KIT, Slide Lever
5	82020923	1	BRACKET, Lever Support
6	82020814	1	KIT, Slide



**KIT**

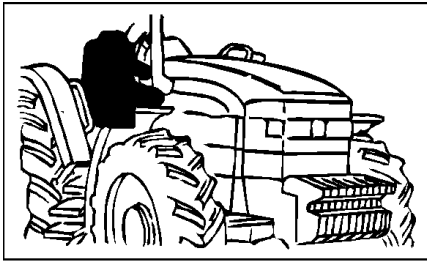
● = 6   ○ = 8  
▲ = 9   △ = 3  
■ = 11

A legend for the assembly kit. It includes the New Holland logo and a list of symbols corresponding to the number of each part required: a solid circle for 6, an open circle for 8, a solid triangle for 9, an open triangle for 3, and a solid square for 11.

## MXM155 CASE IH TRACTOR (6/02- )

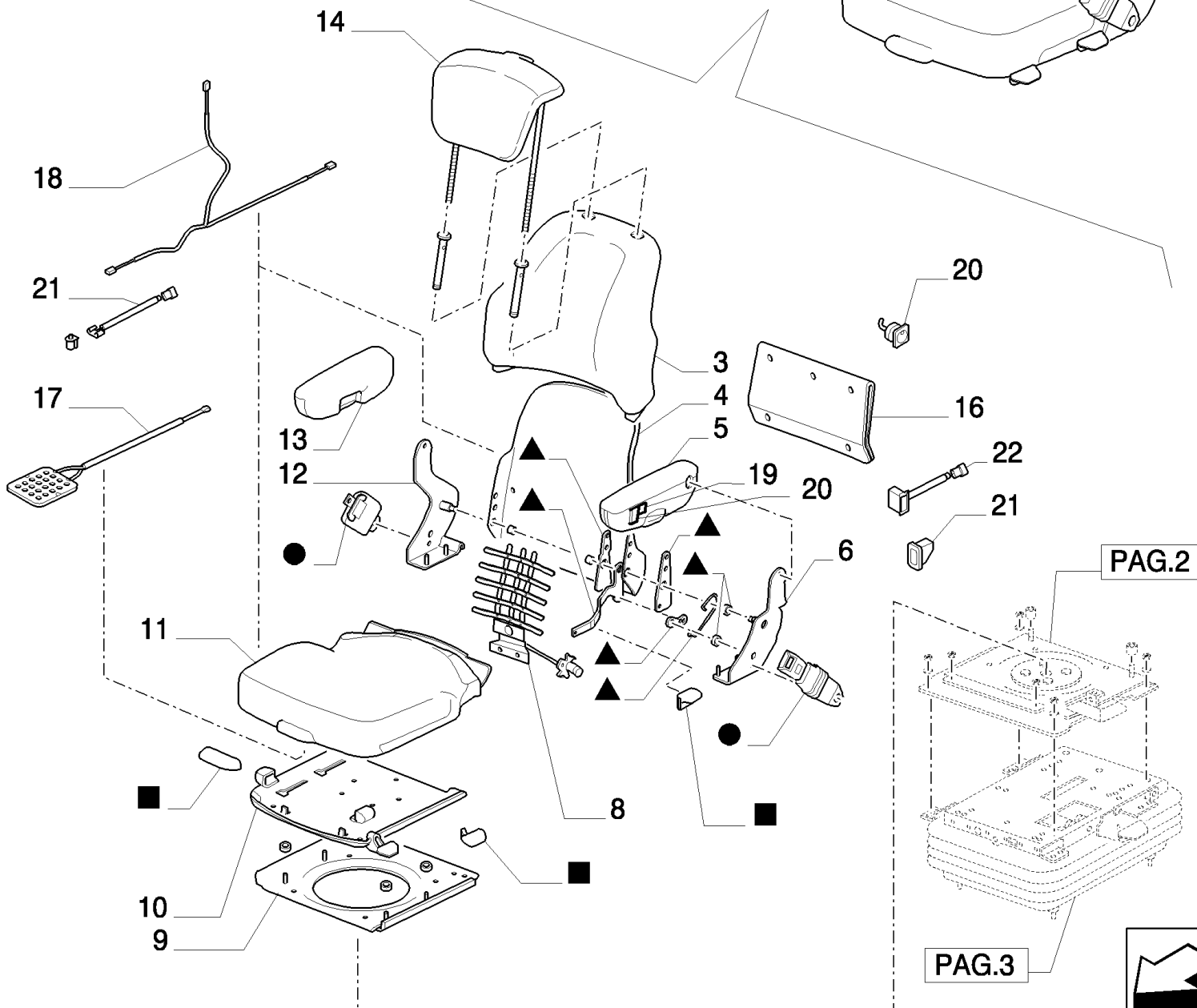
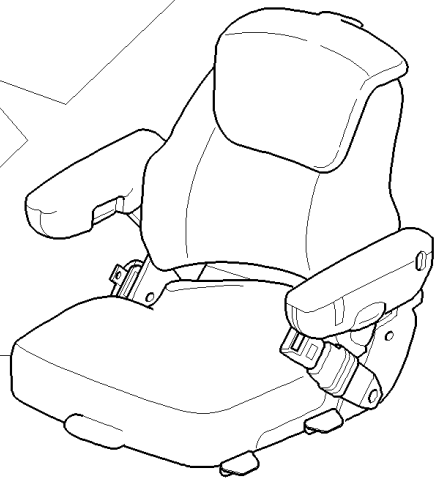
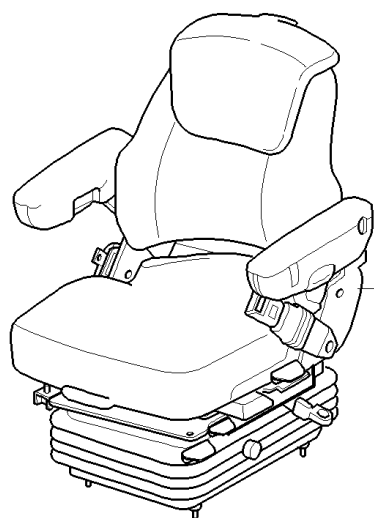
## 1.93.3/ G(03) (VAR.964) DELUXE AIR SEAT WITH REELING SEAT BELT AND HEATED CUSHION - BREAKDOWN

сылка	Номер детали	Кол-во	Описание
1	87363496	1	SEAT, DRIVER, Assy
1	82039689	1	SUSPENSION, Assy
2	82021020	1	KIT, Fore/Aft Insulator
3	82020847	1	KIT, Suspension Shock Absorber
4	82020821	1	KIT, Lower Housing
5	82020819	1	KIT, Air Spring
6	87367817	1	KIT, Compressor W/Heating
7	82020846	1	KIT, Suspension Scissors
8	82020830	1	KIT, Fore/Aft Shock Absorber
9	82020845	1	KIT, Bumper and Roller
10	82020844	1	KIT, Upper Housing
11	87352578	1	KIT, SERVICE, Air Line
12	82020843	1	KIT, Suspension Boot



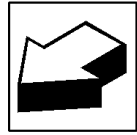
**KIT**

▲ = 7  
● = 15  
■ = 19



PAG.2

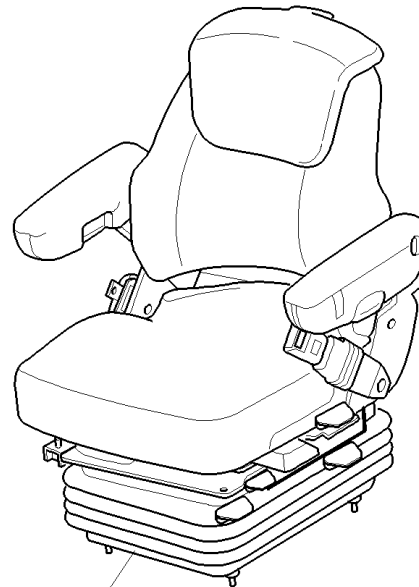
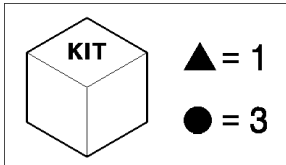
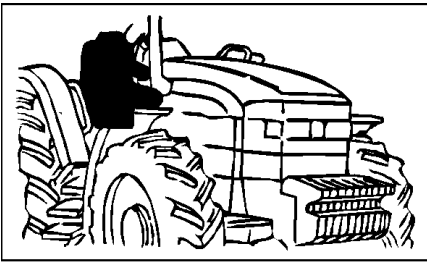
PAG.3



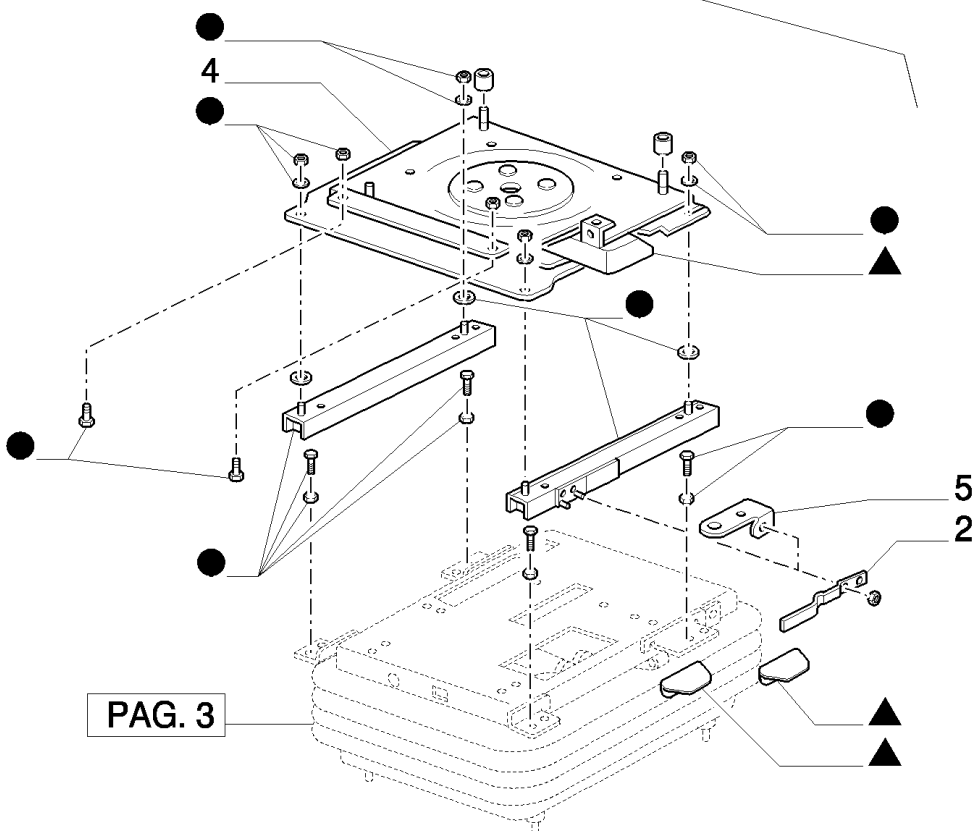
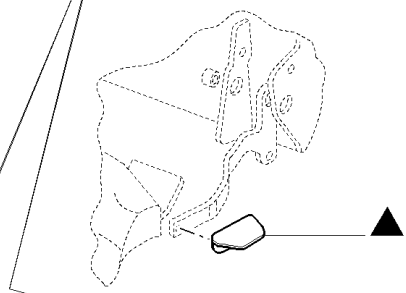
## MXM155 CASE IH TRACTOR (6/02- )

## 1.93.3/ H(01) (VAR.319) DELUXE AIR SEAT WITH REELING SEAT BELT AND HEATED CUSHION IN RED LEATHER - BREAKDOWN

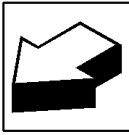
сылка	Номер детали	Кол-во	Описание
1	87363498	1	SEAT, DRIVER, Assy, W/Red leather
2	87515366	1	SEAT, DRIVER, Assy, W/Red leather
3	87308616	1	BACKREST, , W/Red leather
4	87367813	1	KIT, SERVICE, Back Pan
5	82030801	1	ARMREST, LH
6	82020804	1	BRACKET, LH Armrest
7	82020808	1	KIT, Recliner
8	87367816	1	KIT, Lumbar
9	82020836	1	KIT, Seat Pan
10	82020828	1	KIT, Cushion Extension
11	87308617	1	CUSHION, SEAT, , W/Red leather
12	82020806	1	BRACKET, RH Armrest
13	82020807	1	ARMREST, RH
14	87308623	1	HEADREST, SEAT, Upper, W/Redleather, Include two plastic tubes
15	82020831	1	KIT, Seat Belt
16	82030777	1	HOLDER,
17	87308594	1	KIT, SERVICE, Operator Presence
18	87367527	1	HARNESS, WIRE,
19	87308611	1	KIT, SERVICE,
20	87308609	1	SWITCH, Heater
21	87308605	1	SWITCH, Height Control



6



PAG. 3

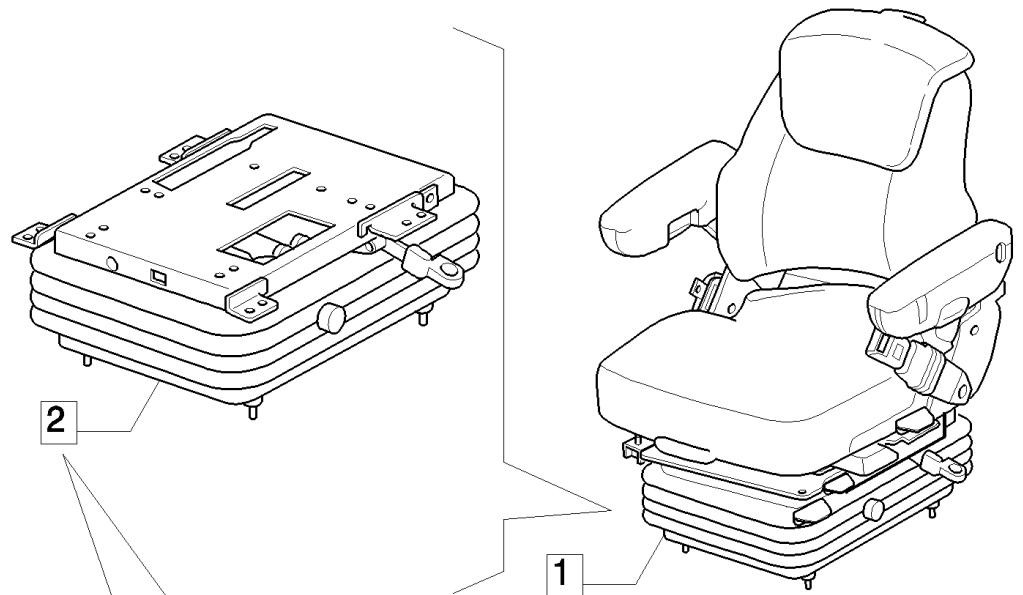
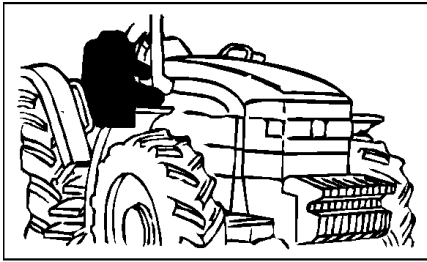




MXM155 CASE IH TRACTOR (6/02- )

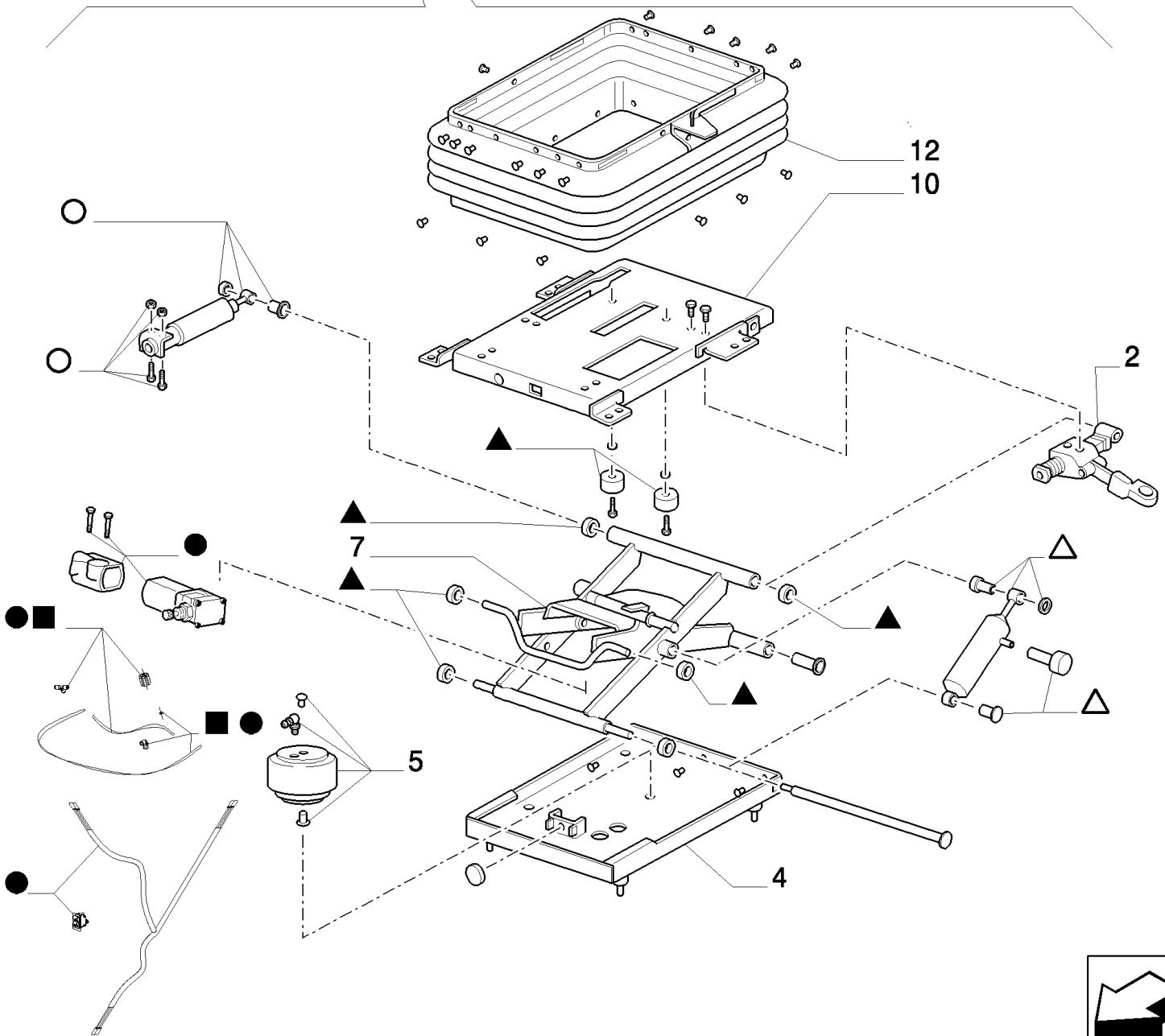
1.93.3/ H(02) (VAR.319) DELUXE AIR SEAT WITH REELING SEAT BELT AND HEATED CUSHION IN RED LEATHER - BREAKDOWN

сылка	Номер детали	Кол-во	Описание
1	87363496	1	SEAT, DRIVER, Assy
2	82020840	1	KIT, Swivel
3	82020839	1	KIT, Knobs
4	82020809	1	KIT, Slide Lever
5	82020923	1	BRACKET, Lever Support
6	82020814	1	KIT, Slide

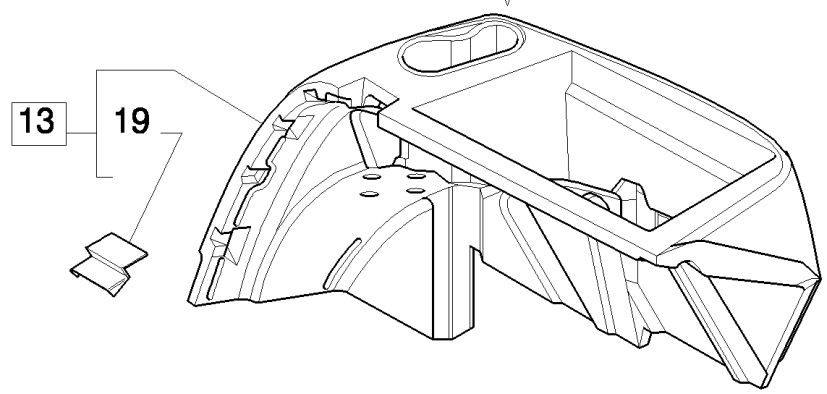
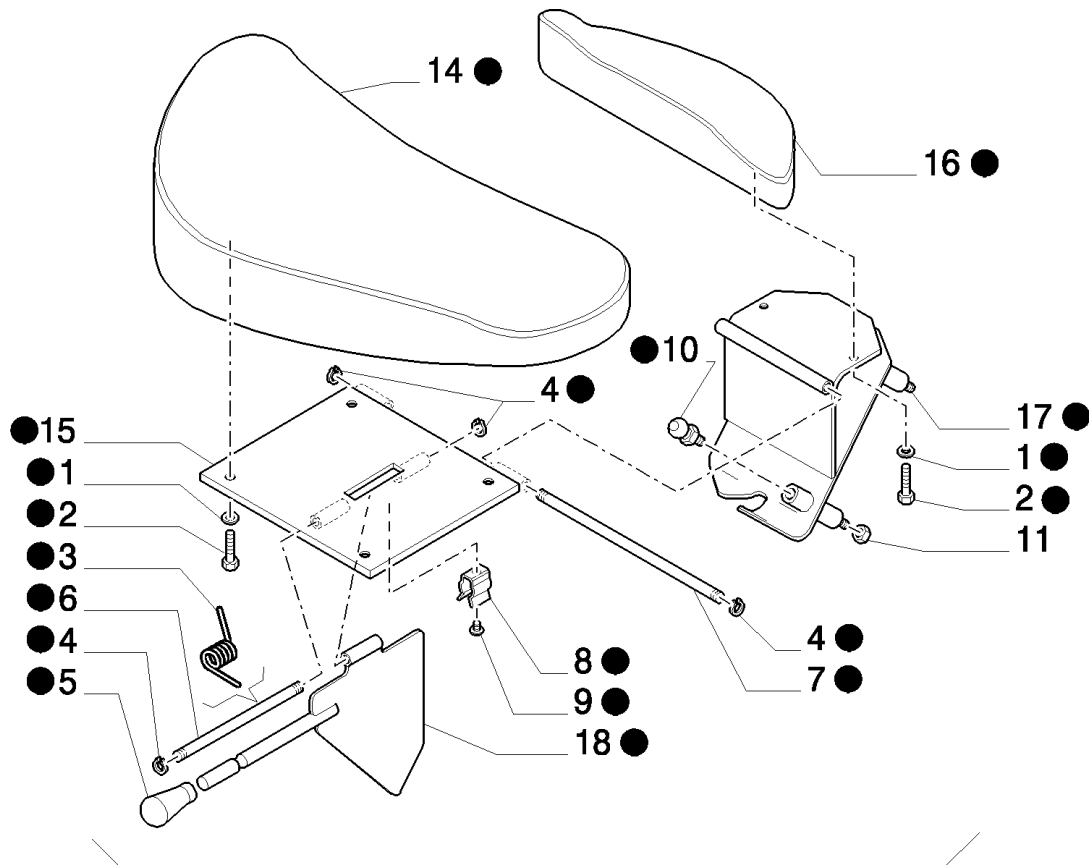
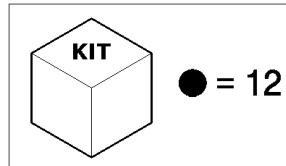
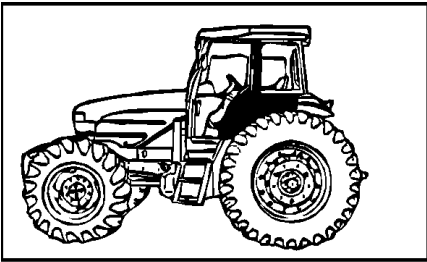


**KIT**

● = 6   ○ = 8  
▲ = 9   △ = 3  
■ = 11

A legend for the assembly kit. It features the New Holland logo and a list of symbols corresponding to the number of each part required: a solid circle for 6, an open circle for 8, a solid triangle for 9, an open triangle for 3, and a solid square for 11.

сылка	Номер детали	Кол-во	Описание
1	87363496	1	SEAT, DRIVER, Assy
1	82039689	1	SUSPENSION, Assy
2	82021020	1	KIT, Fore/Aft Insulator
3	82020847	1	KIT, Suspension Shock Absorber
4	82020821	1	KIT, Lower Housing
5	82020819	1	KIT, Air Spring
6	87367817	1	KIT, Compressor W/Heating
7	82020846	1	KIT, Suspension Scissors
8	82020830	1	KIT, Fore/Aft Shock Absorber
9	82020845	1	KIT, Bumper and Roller
10	82020844	1	KIT, Upper Housing
11	87352578	1	KIT, SERVICE, Air Line
12	82020843	1	KIT, Suspension Boot

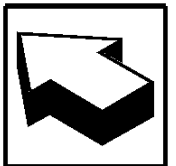
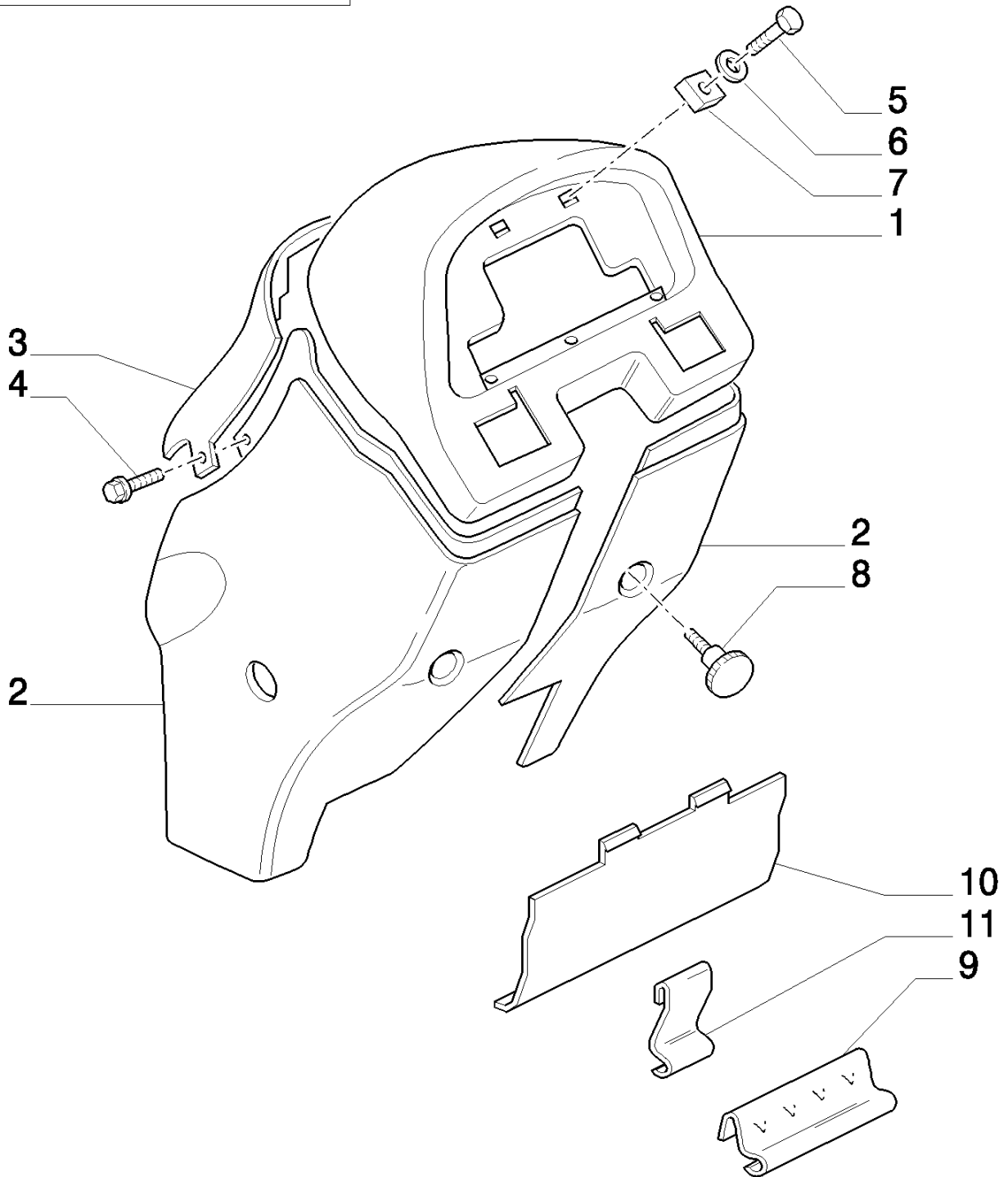
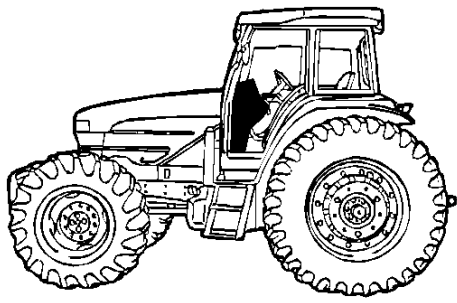


## MXM155 CASE IH TRACTOR (6/02- )

## 1.93.3/01 (VAR.865) PASSENGER SEAT

сылка	Номер детали	Кол-во	Описание
1	10523401	6	WASHER, M6 x 18 x 2,
2	10902024	6	BOLT, Hex, M6 x 12, 8.8, Full Thd,
3	82014654	1	SPRING,
4	11087676	4	CIRCLIP, M5,
5	83935136	1	KNOB,
6	82014652	1	PIN,
7	82014653	1	PIN,
8	82014655	1	CLIP, SPRING,
9	81863119	1	SCREW,
10	82000409	1	PIN, BALL,
11	14059311	4	NUT, M8 x 1.25, Flg, Cl 8,
12	82031698	1	SEAT, DRIVER, Assy
13	87305130	1	SOFT TRIM, LH
14	82031822	1	CUSHION, SEAT,
15	82014634	1	HINGE,
16	82031823	1	CUSHION, SEAT,
17	82014641	1	BRACKET,
18	82018625	1	SUPPORT,
19	82001632	3	CLIP,

1.93.5 FRONT CONSOLE TRIM

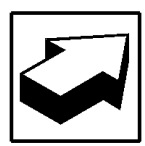
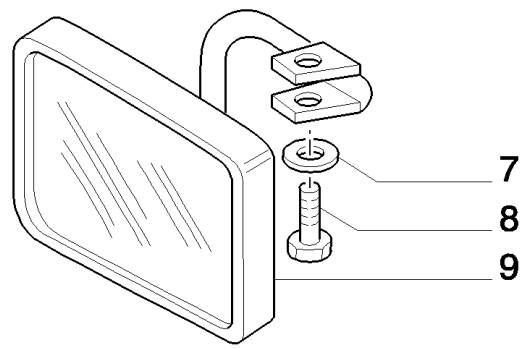
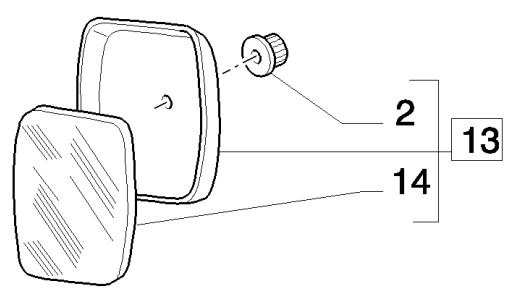
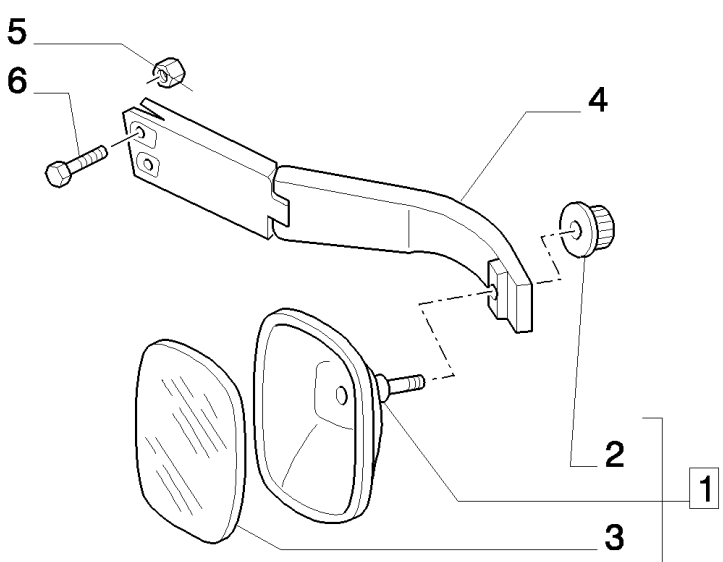
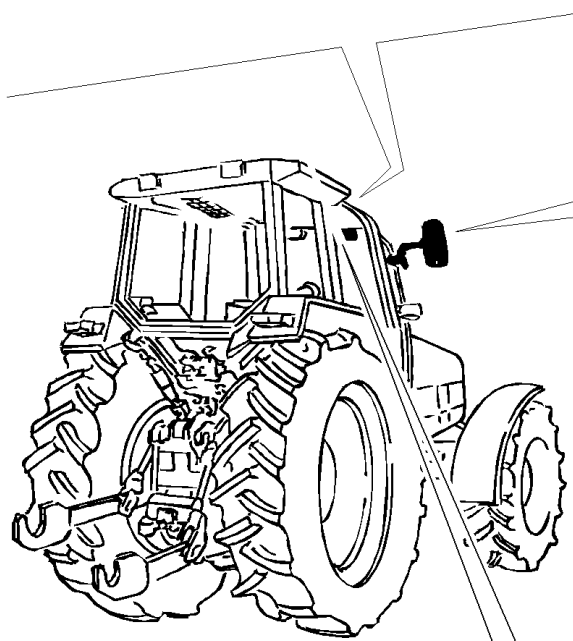
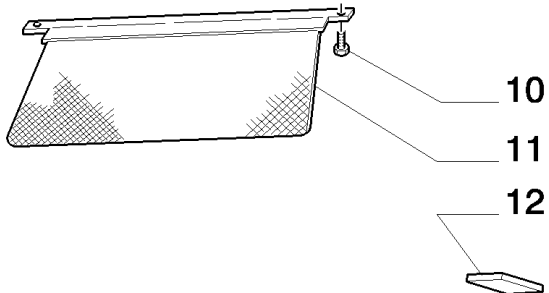
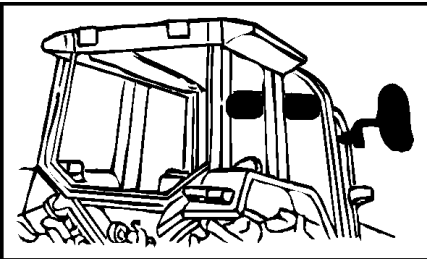


## MXM155 CASE IH TRACTOR (6/02- )

## 1.93.5 FRONT CONSOLE TRIM

сылка	Номер детали	Кол-во	Описание
1	82027674	1	PANEL, INSTRUMENTS,
2	82027678	1	PANEL, RH
2	82027679	1	PANEL, LH
3	82027675	1	PANEL,
4	83929012	2	SCREW,
5	10902424	6	BOLT, Hex, M6 x 20, 8.8, Full Thd,
6	12647601	6	WASHER, M6 x 16 x 2,
7	83929522	3	NUT, Speed, M6 x 1
8	82000463	4	KNOB, M6
9	82010681	1	CLIP,
10	82007688	1	COVER,
11	81869560	1	CLIP,

1.93.6 REAR MIRROR - SUN SCREEN

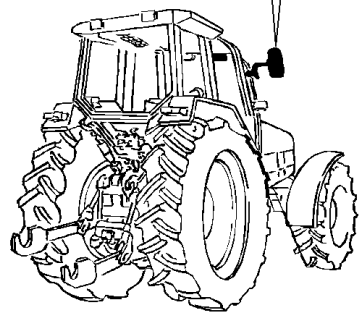
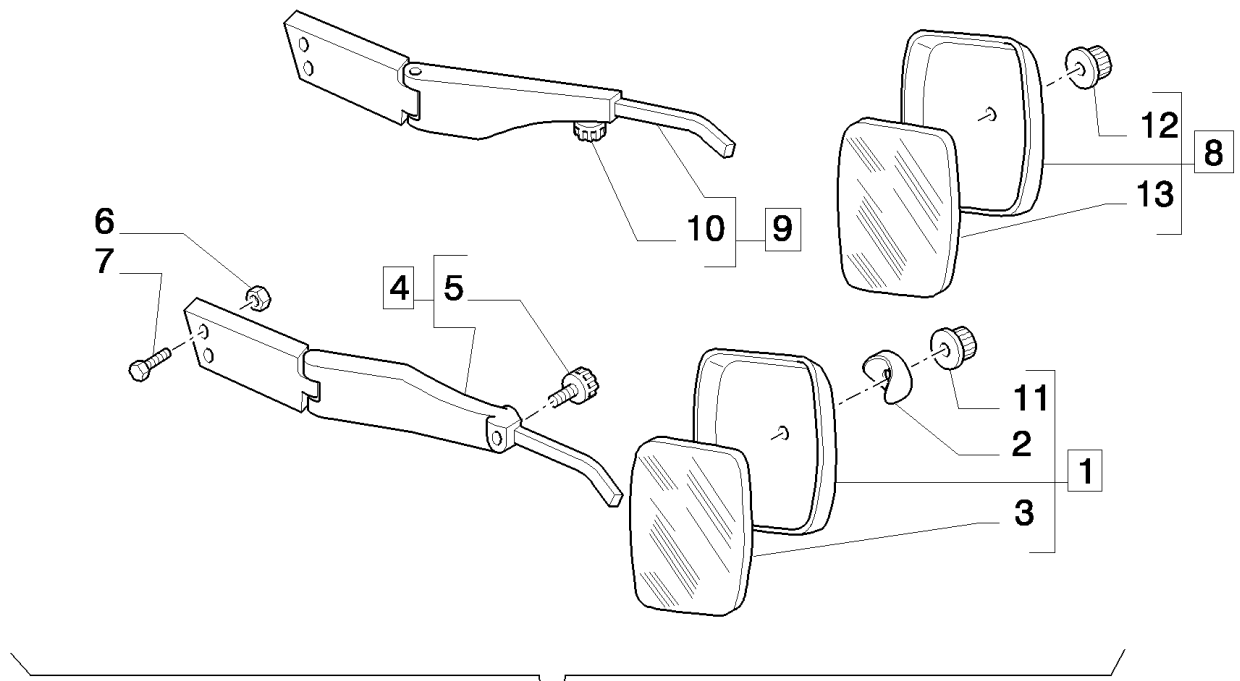
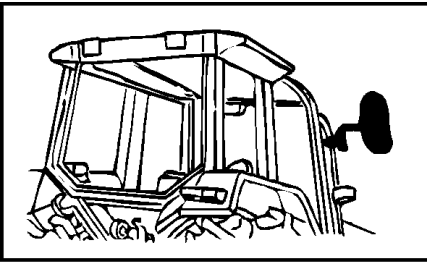




## MXM155 CASE IH TRACTOR (6/02- )

## 1.93.6 REAR MIRROR - SUN SCREEN

сылка	Номер детали	Кол-во	Описание
1	82014840	2	MIRROR, REAR-VIEW, BRITAX # 02*1113
2	82016257	2	KNOB,
3	82015244	2	MIRROR, REPLACEMENT, 253 x 152, " Not Telescopic "
4	82014838	1	ARM, RH
4	82014839	1	ARM, LH
5	12577211	4	NUT, LOCK, M10 x 1.5, CI 8,
6	81869630	4	SCREW, Hex Soc Hd, M10 x 35, 8.8,
7	12647601	1	WASHER, M6 x 16 x 2,
8	16050621	1	BOLT, Hex, M6 x 30, 8.8, Full Thd,
9	82018819	1	MIRROR, REAR-VIEW, Inside
10	15902707	4	SCREW, SELF TAP, Cross Pan Hd, M3.5 x 19,
11	82004428	1	SUN CURTAIN,
12	82000080	2	INSULATOR,
13	87339177	1	MIRROR ASSY., (VAR.053)
14	82035218	2	MIRROR, , D5542-

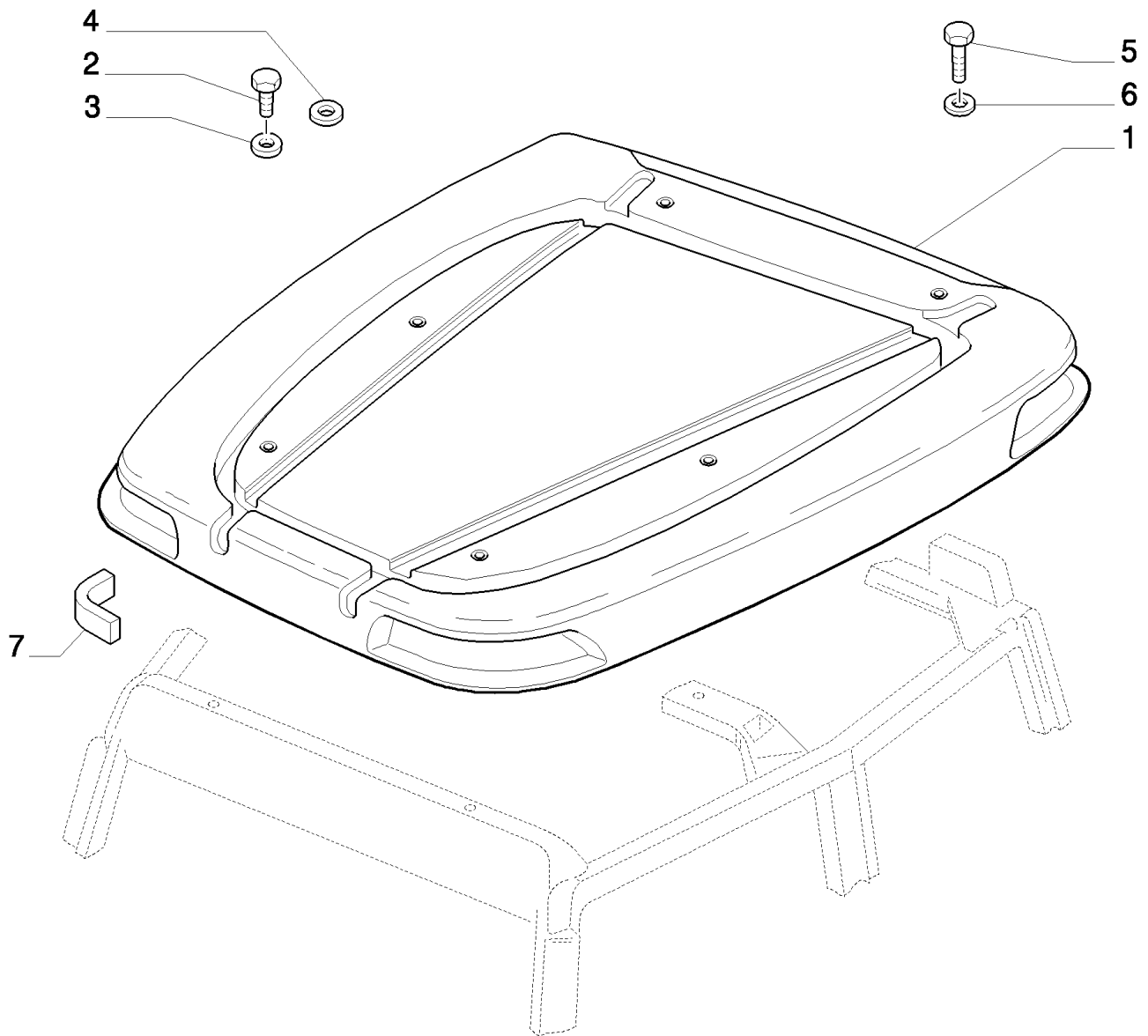
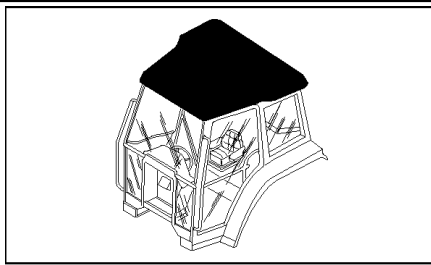


## MXM155 CASE IH TRACTOR (6/02- )

## 1.93.6/01 (VAR.879) TELESCOPIC REAR VIEW MIRROR

сылка	Номер детали	Кол-во	Описание
1	82014587	2	MIRROR, REAR-VIEW, BRITAX # 02*5481, -C4878
2	82035908	2	WASHER,
3	82015243	2	MIRROR, REPLACEMENT, 225 x 315, -C4878
4	82029422	1	MIRROR, REAR-VIEW, RH, -C5239
4	82014589	1	ARM, LH, -C5239
5	82015245	2	KNOB, , -C5239
6	12577211	4	NUT, LOCK, M10 x 1.5, Cl 8,
7	81869630	4	SCREW, Hex Soc Hd, M10 x 35, 8.8,
8	87339177	1	MIRROR ASSY., , D4878-
9	87339173	1	ARM, LH, D5239-
9	87339174	1	ARM, RH, D5239-
10	87365131	1	KNOB, , D5239-
11	82016257	2	KNOB, , -C4878
12	82016257	2	KNOB, , D5542-
13	82035218	2	MIRROR, , D5542-

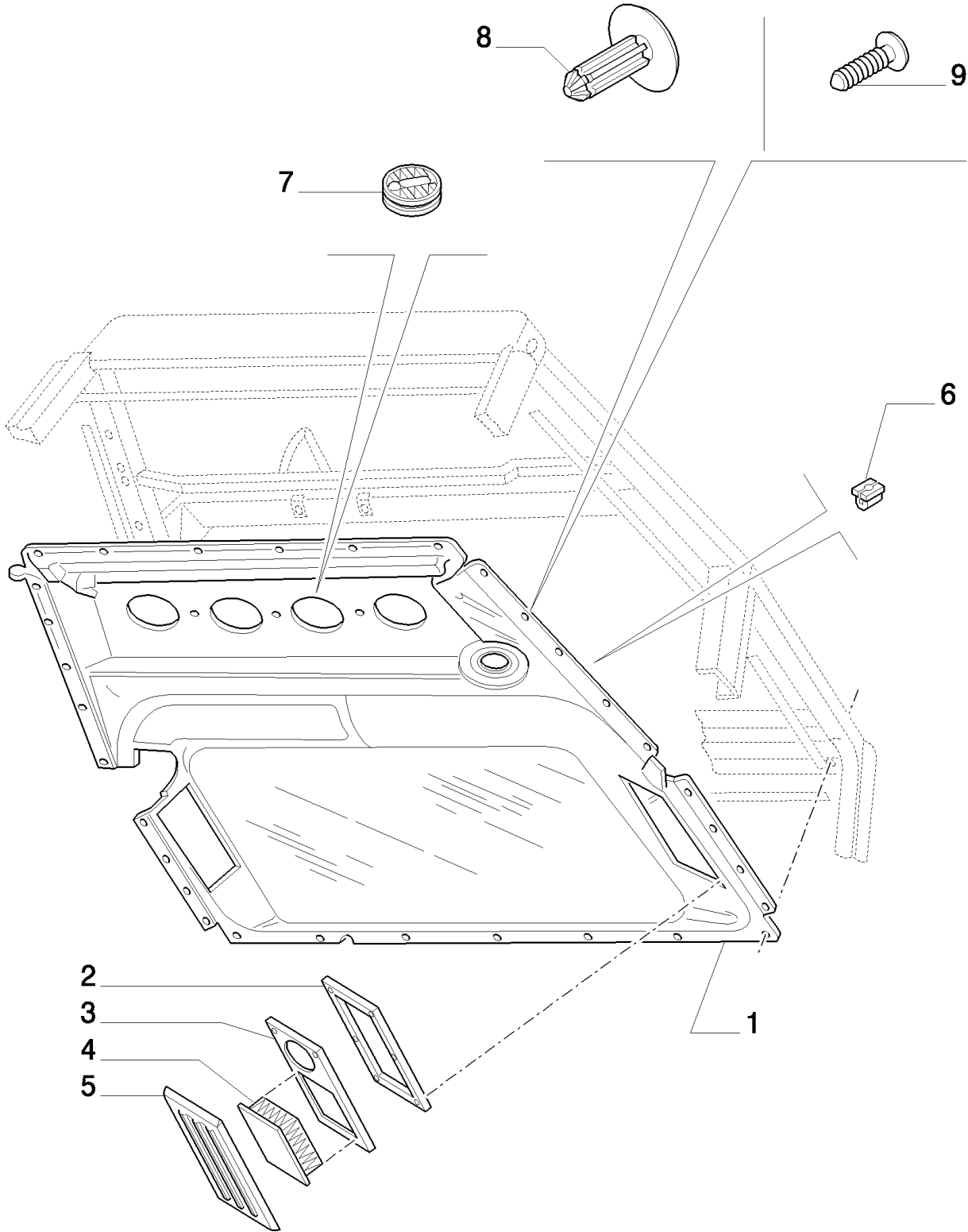
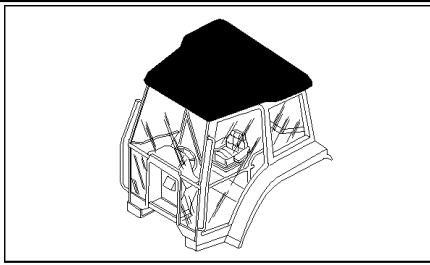
D4878 After Date 04/11/2003 D5239 After Date 8 September 2005 D5542 After Date 17 October 2006



## MXM155 CASE IH TRACTOR (6/02- )

## 1.94.0(01) ROOF

сылка	Номер детали	Кол-во	Описание
1	87354939	1	ROOF, Red
1	82027676	1	ROOF, White
2	11114221	2	BOLT, Hex, M12 x 100, 8.8,
3	83994544	2	WASHER,
4	82014155	4	WASHER, 7 x 20
5	16044524	4	BOLT, Hex, M8 x 65, 8.8,
5	82031699	4	SCREW, M8 x 90
6	12647004	4	WASHER, M8 x 25 x 2.5,
7	82000733	1	SEAL, RUBBER,



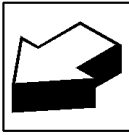
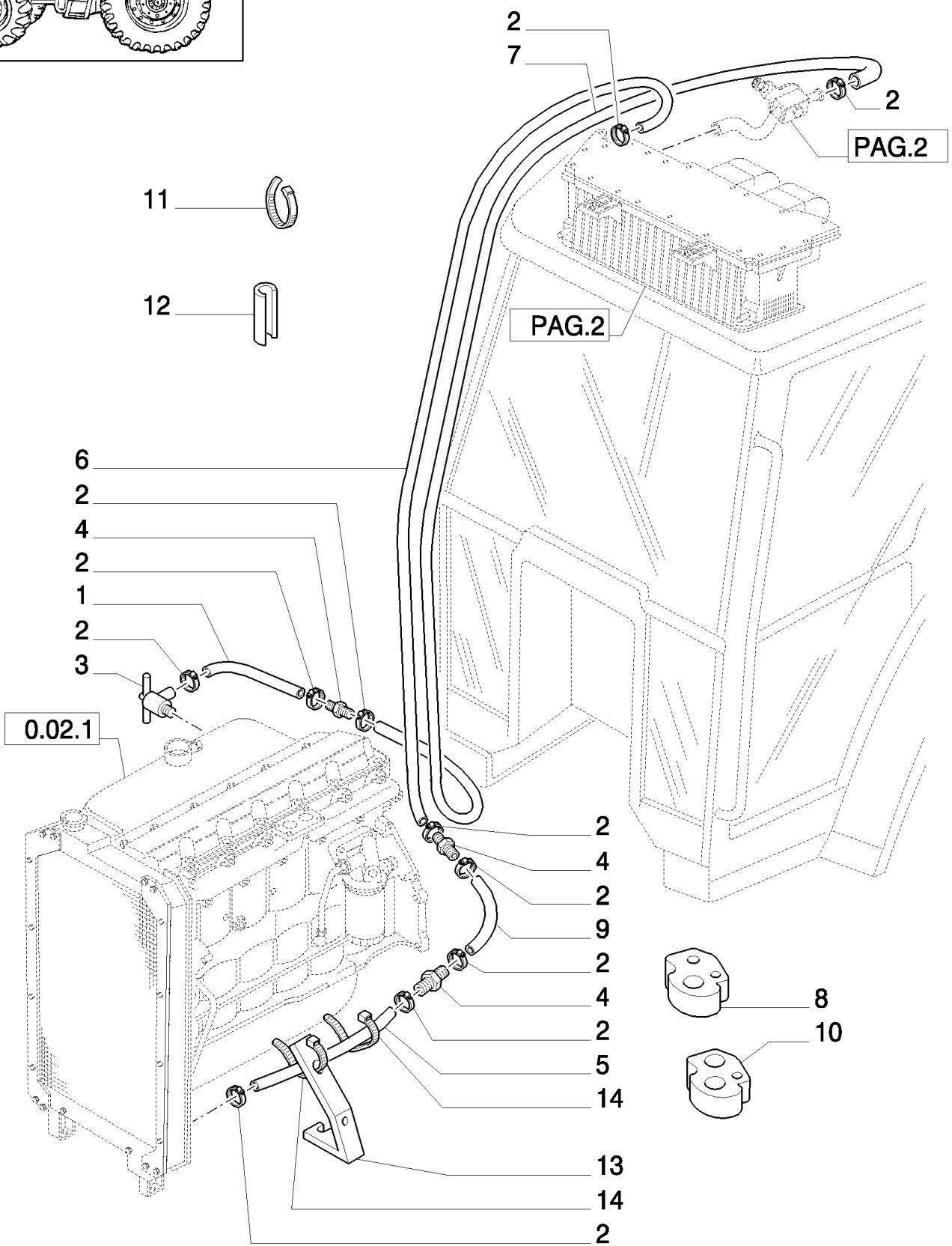
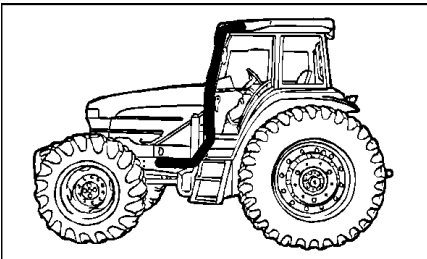
## MXM155 CASE IH TRACTOR (6/02- )

## 1.94.0(02) ROOF

сылка	Номер детали	Кол-во	Описание
1	82031821	1	ROOF, , -C5534
1	87596034	1	ROOF, ASSY, Incl. 2, 3, 5, 7, D5534-
2	82016788	2	FRAME,
3	82016736	2	SUPPORT,
4	82018373	2	FILTER, CAB,
5	82023485	2	GRILLE,
6	83907330	2	NUT,
7	83994728	4	VENT,
8	82023482	21	RETAINER, Push-in
9	82023460	15	STUD, Push-in

D5534 After Date 11 October 2006

1.94.2(01) HEATER LINES



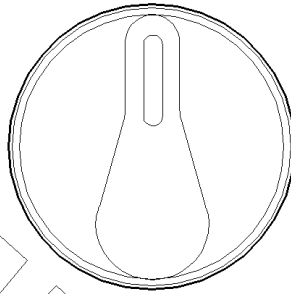
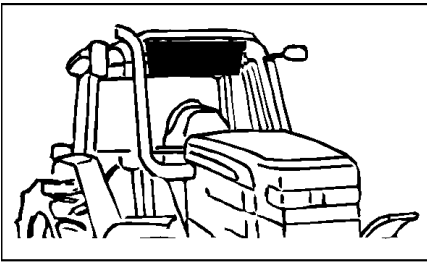


## MXM155 CASE IH TRACTOR (6/02- )

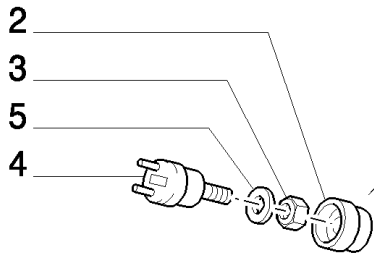
## 1.94.2(01) HEATER LINES

сылка	Номер детали	Кол-во	Описание
1	82020608	1	HOSE,
2	82019905	8	CLAMP, HOSE,
3	83961305	1	VALVE, SHUT-OFF,
4	83954537	3	FITTING,
5	82036149	1	HOSE, FLEXIBLE, 2415 mm lg
6	83994769	1	HOSE, FLEXIBLE, Heater to Radiator, BSN ACM269617
6	87382947	1	HOSE, FLEXIBLE, Heater to Radiator, ASN ACM269618
7	82014535	1	HOSE, FLEXIBLE, Engine to Heater, BSN ACM269617
7	87382945	1	HOSE, FLEXIBLE, Engine to Heater, ASN ACM269618
8	82031690	1	INSULATION, FOAM, W/Air Cond.
9	82010787	1	HOSE,
10	82001902	1	INSULATION, FOAM, W/Air Cond.
11	81844383	1	STRAP, CABLE,
12	82015330	1	BUMPER,
13	82027305	1	BRACKET,
14	263117	2	STRAP, CABLE, .14" x 11 1/2",

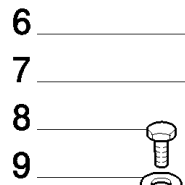
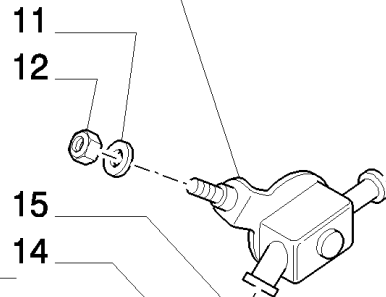
D5318 Serial N.ACM269618



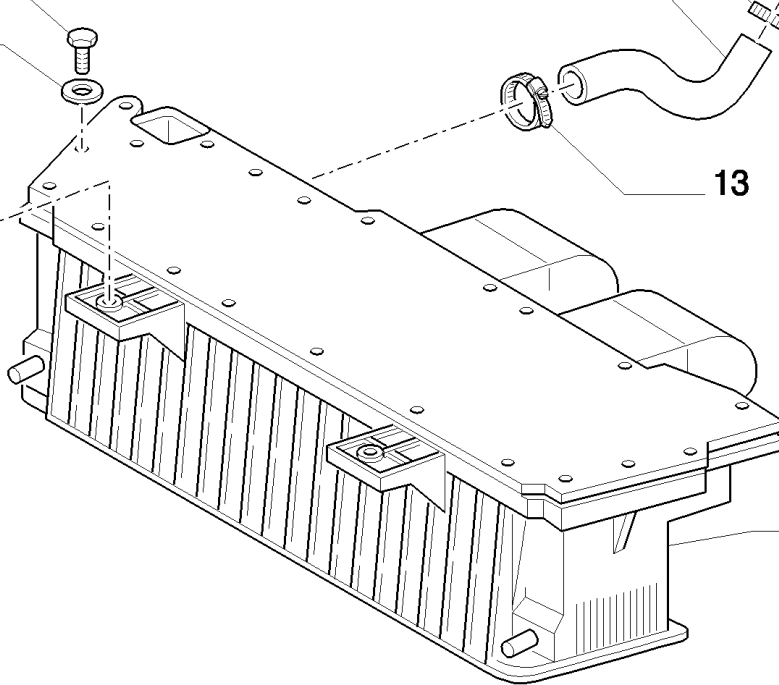
PAG.1



10



13



1.94.2/A	1
1.94.2/B	16



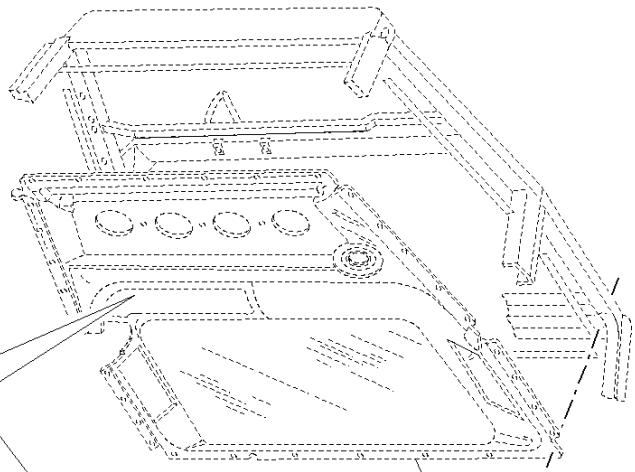
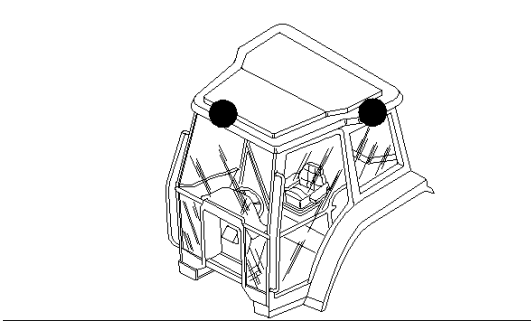
## MXM155 CASE IH TRACTOR (6/02- )

## 1.94.2(02) HEATER &amp; AIR CONDITIONER

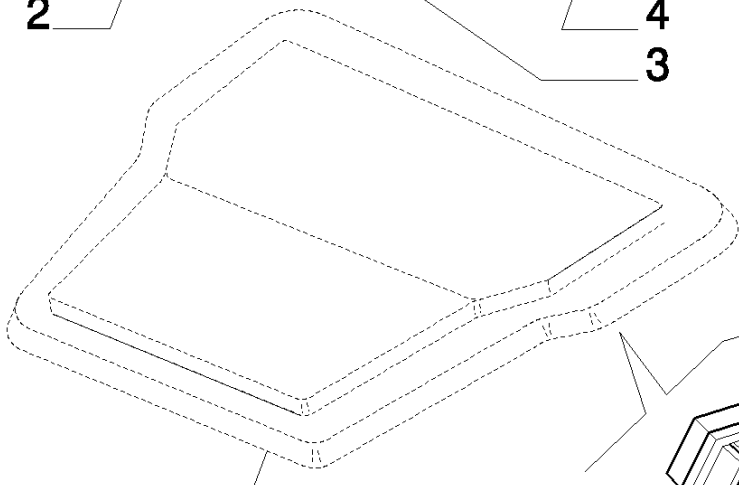
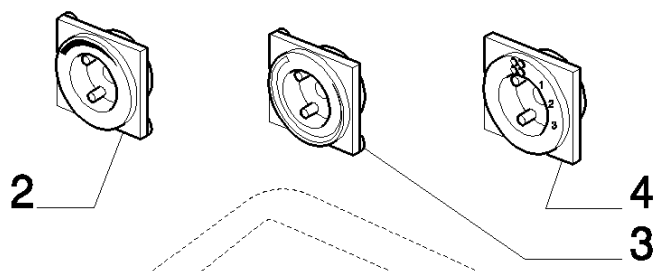
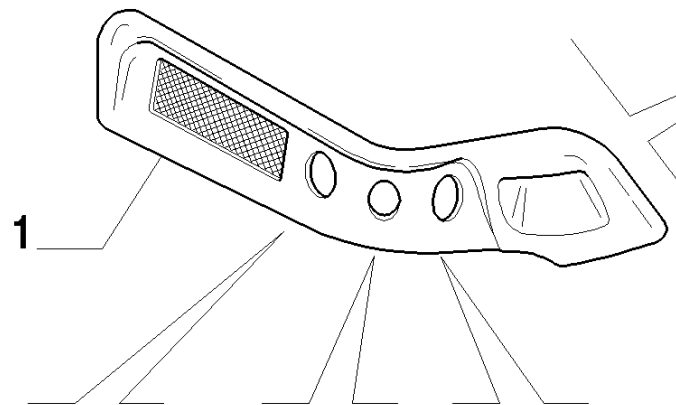
сылка	Номер детали	Кол-во	Описание
1	82024427	1	AIR CONDITIONER, & Heater, -C4994
1	82027127	1	AIR CONDITIONER, & Heater, D4994-ACM210477
2	81867238	2	KNOB,
3	80274562	1	NUT,
4	83907434	1	SWITCH, Heater Blower
5	89715503	1	WASHER, LOCK, Ext T, 7/16"
6	10903221	2	BOLT, Hex, M6 x 40, 8.8,
7	12035670	4	WASHER, LOCK, M6
8	10902424	2	BOLT, Hex, M6 x 20, 8.8, Full Thd,
9	17094714	2	WASHER, LOCK, M6 x 12.5
10	82020530	1	VALVE, CONTROL, , BSN ACM280643
10	87380762	1	VALVE, CONTROL, , ASN ACM280644
11	83925303	1	WASHER, LOCK, Ext Tooth, M12, , BSN ACM280643
12	81868671	1	NUT, , BSN ACM280643
13	263117	2	STRAP, CABLE, .14" x 11 1/2",
14	82014536	1	HOSE, FLEXIBLE,
15	82019905	1	CLAMP, HOSE,
16	82034850	1	AIR CONDITIONER, & Heater, ASN ACM210478

D4994 From Date 15/07/02 D4995 Serial N.ACM210478 D5270 Serial n.ACM280644

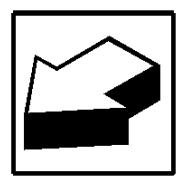
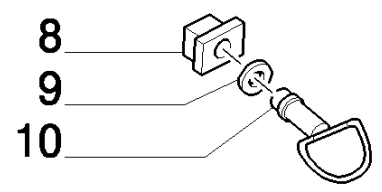
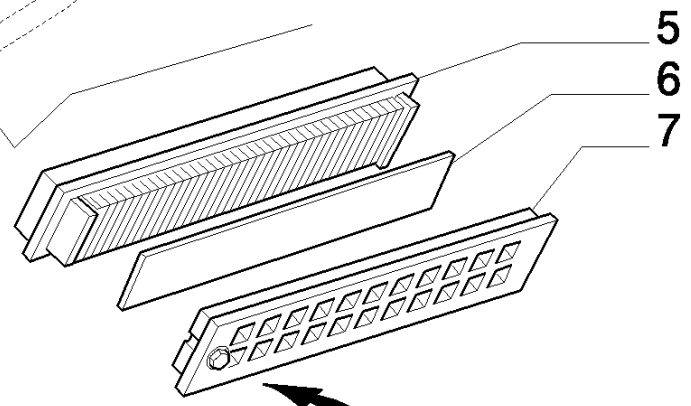
1.94.2(03) AIR CONDITIONER



1.94.0



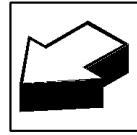
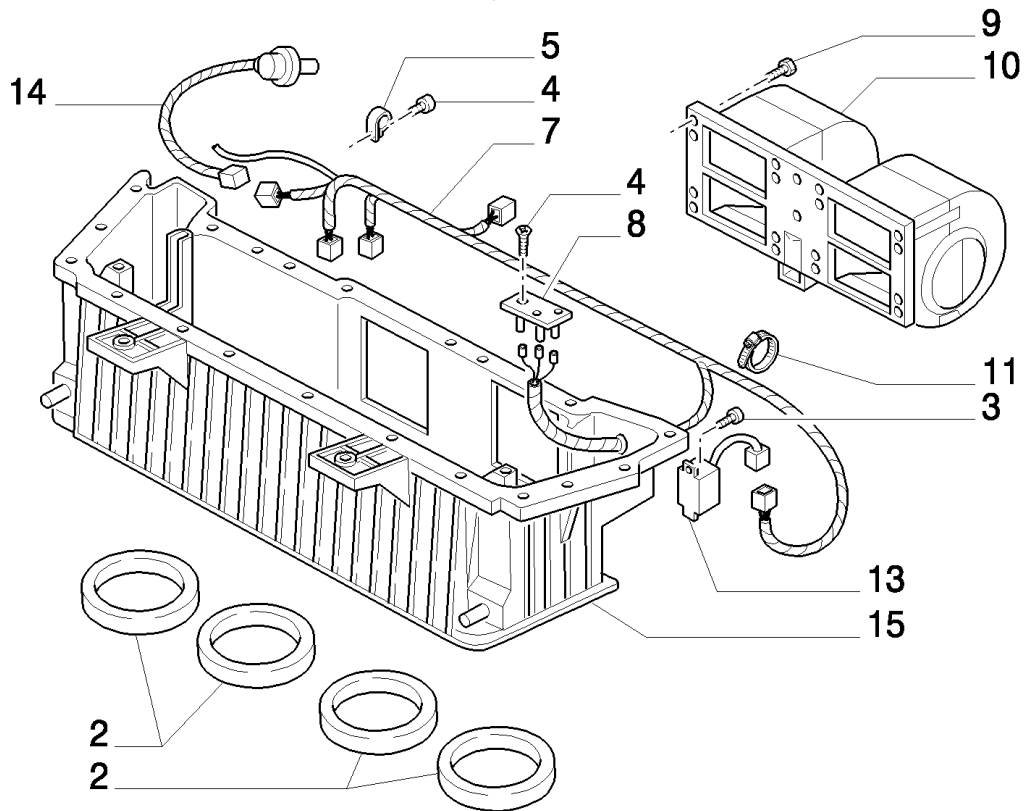
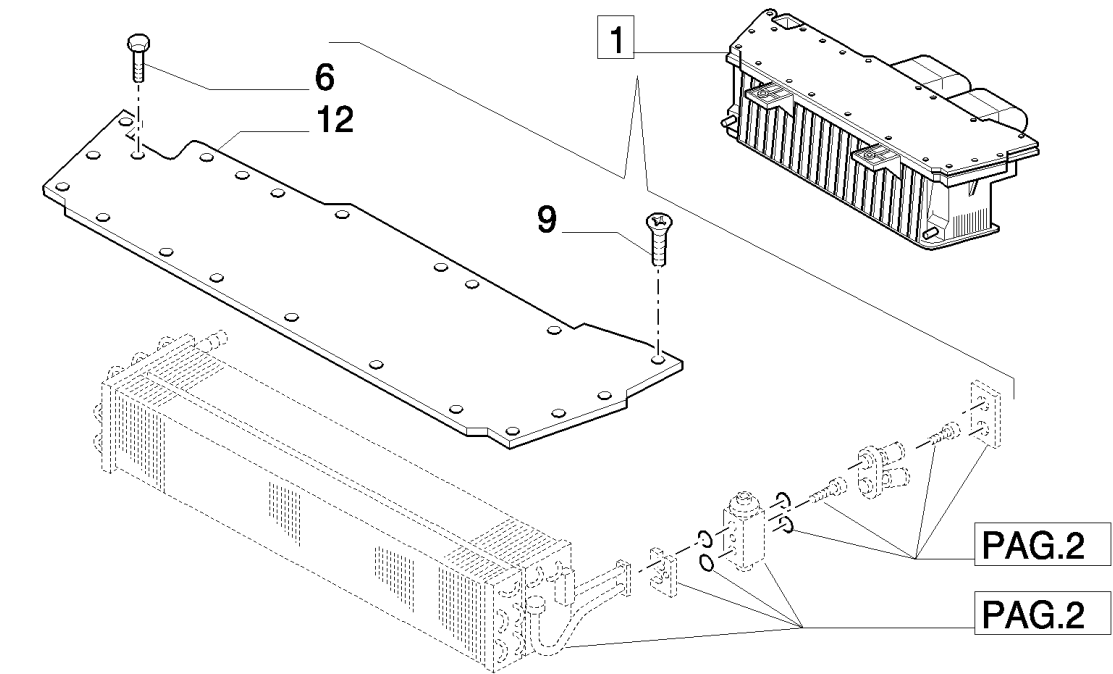
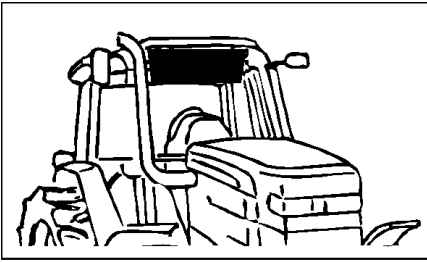
1.94.0



## MXM155 CASE IH TRACTOR (6/02- )

## 1.94.2(03) AIR CONDITIONER

сылка	Номер детали	Кол-во	Описание
1	82026505	1	CONSOLE, Incl. 2, 3 & 4
2	82023498	1	BOSS,
3	82026503	1	BOSS,
4	82023497	1	BOSS,
5	87385322	2	FILTER, CAB,
6	83994694	2	FILTER, AIR,
7	81871634	2	SUPPORT,
8	83994515	2	RETAINER,
9	81875581	4	RETAINER,
10	81875580	2	FASTENER, 1/4 Turn

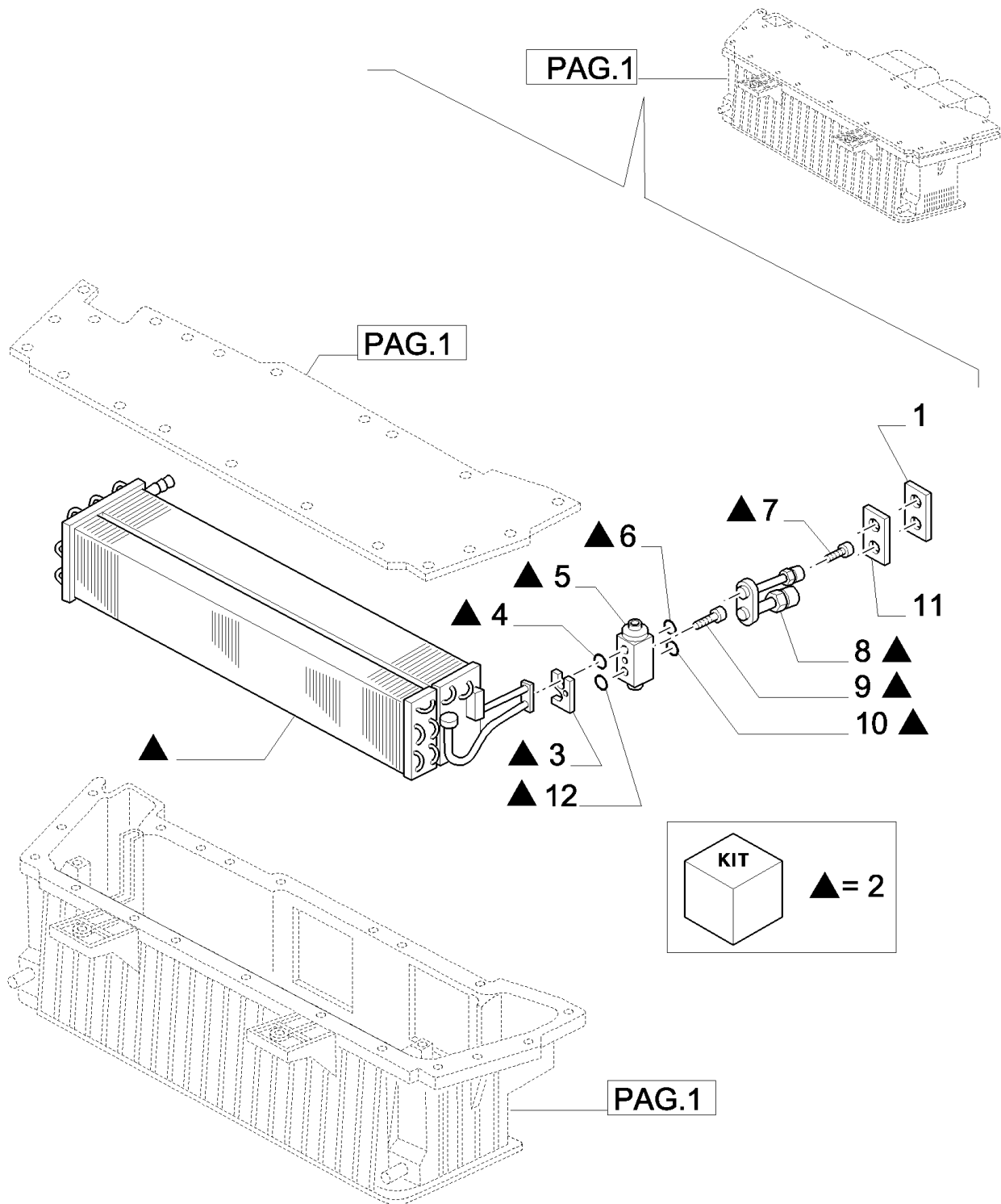
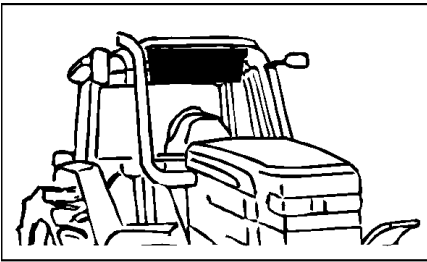


## MXM155 CASE IH TRACTOR (6/02- )

## 1.94.2/ A(01) AIR CONDITIONING BREAKDOWN - C4995

сылка	Номер детали	Кол-во	Описание
1	82024427	1	AIR CONDITIONER, , -C4994
1	82027127	1	AIR CONDITIONER, , D4994-
2	81865554	4	SEAL,
3	82000559	2	SCREW,
4	82000560	4	SCREW,
5	82000564	3	CLIP,
6	82866253	5	SCREW,
7	82024425	1	HARNES, WIRE,
8	81870363	1	RESISTOR,
9	82001934	23	SCREW,
10	81870361	1	BLOWER,
11	263117	16	STRAP, CABLE, .14" x 11 1/2",
12	82000581	1	COVER,
13	81865558	1	THERMOSTAT, , -C4994
13	82024945	1	THERMOSTAT, , D4994-
14	82024042	1	SWITCH ASSY, A/C Control, -C4994
14	82027128	1	SEAL, A/C Control, D4994-
15	82000550	1	HOUSING,

D4994 From Date 15/07/02 C4995 Serial N.ACM210478



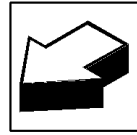
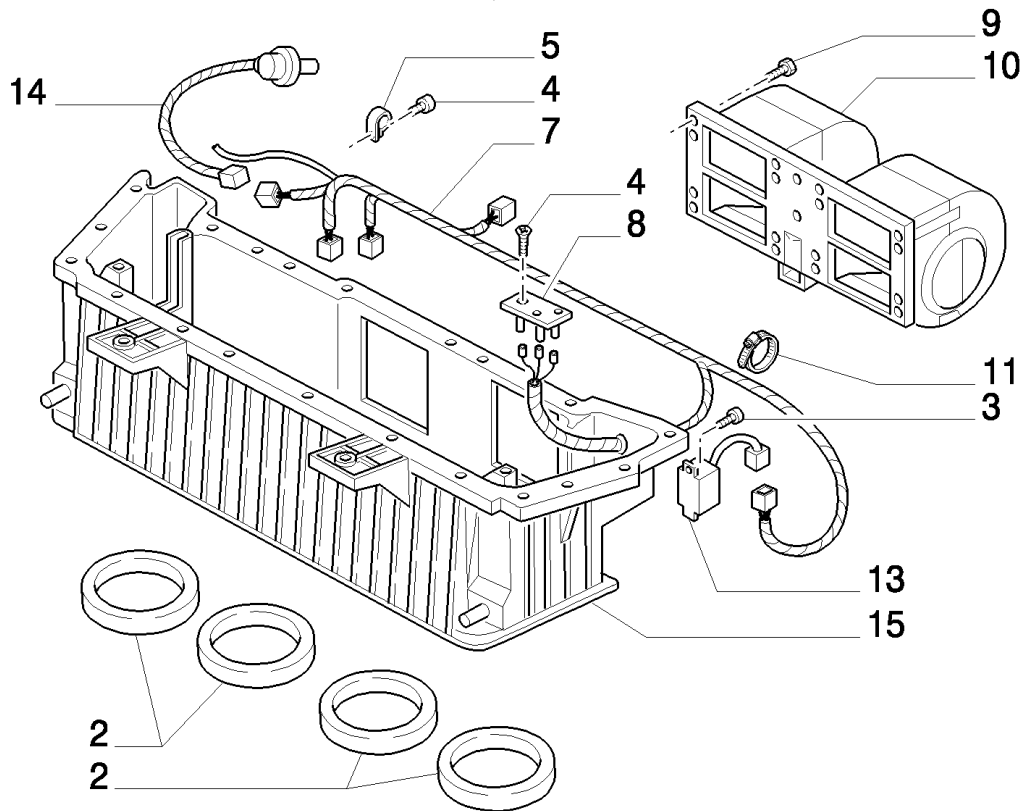
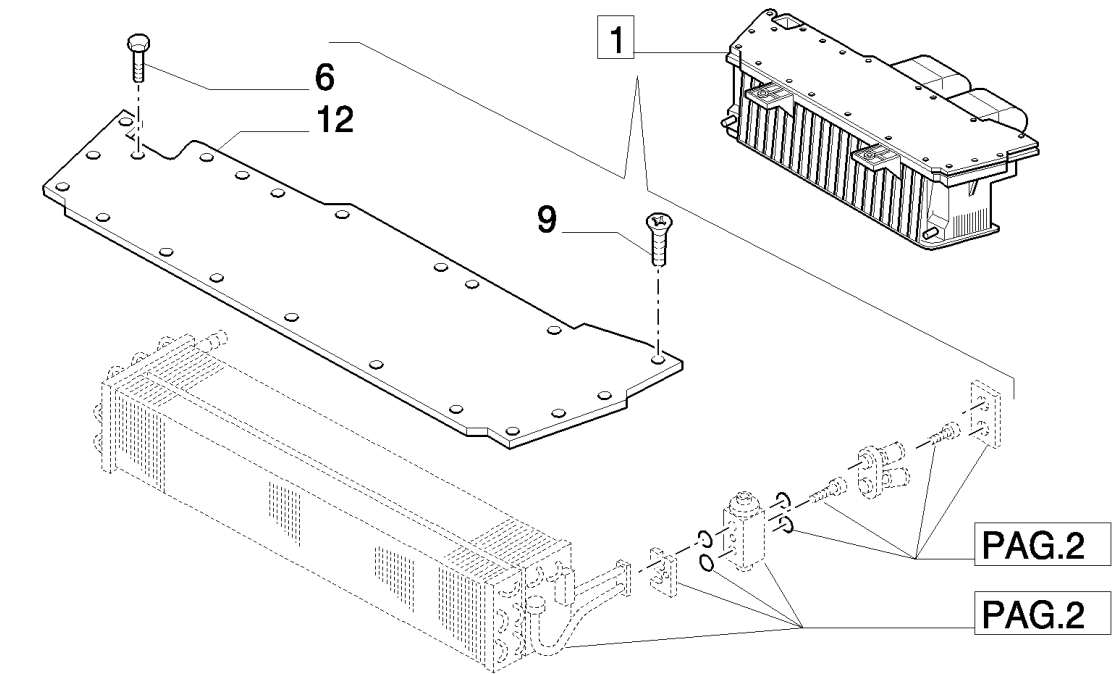
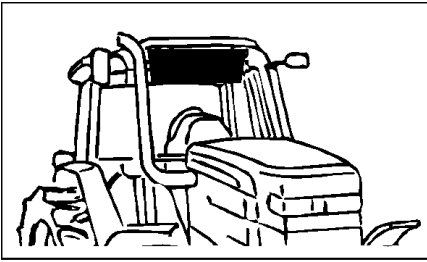


## MXM155 CASE IH TRACTOR (6/02- )

## 1.94.2/ A(02) AIR CONDITIONING BREAKDOWN - C4995

сылка	Номер детали	Кол-во	Описание
1	81872757	1	SEAL, 118 x 58
2	82009238	1	EVAPORATOR, & Heater Assy
3	81874723	1	PLATE,
4	9827058	2	O-RING, .426" ID x .070" Thk
5	82000932	1	VALVE, Expansion, Has 2 same size ports on one side and 2 different size ports on the opposite side.
6	89827059	1	O-RING, .551" ID x .070" Thk
7	81874722	1	SCREW,
8	82009113	1	TUBE,
9	81874721	2	SCREW,
10	82000793	1	O-RING, 5/16" ID x .070" Thk, Green
11	82009242	1	SEAL, 114.5 x 37

C4995 Serial N.ACM210478

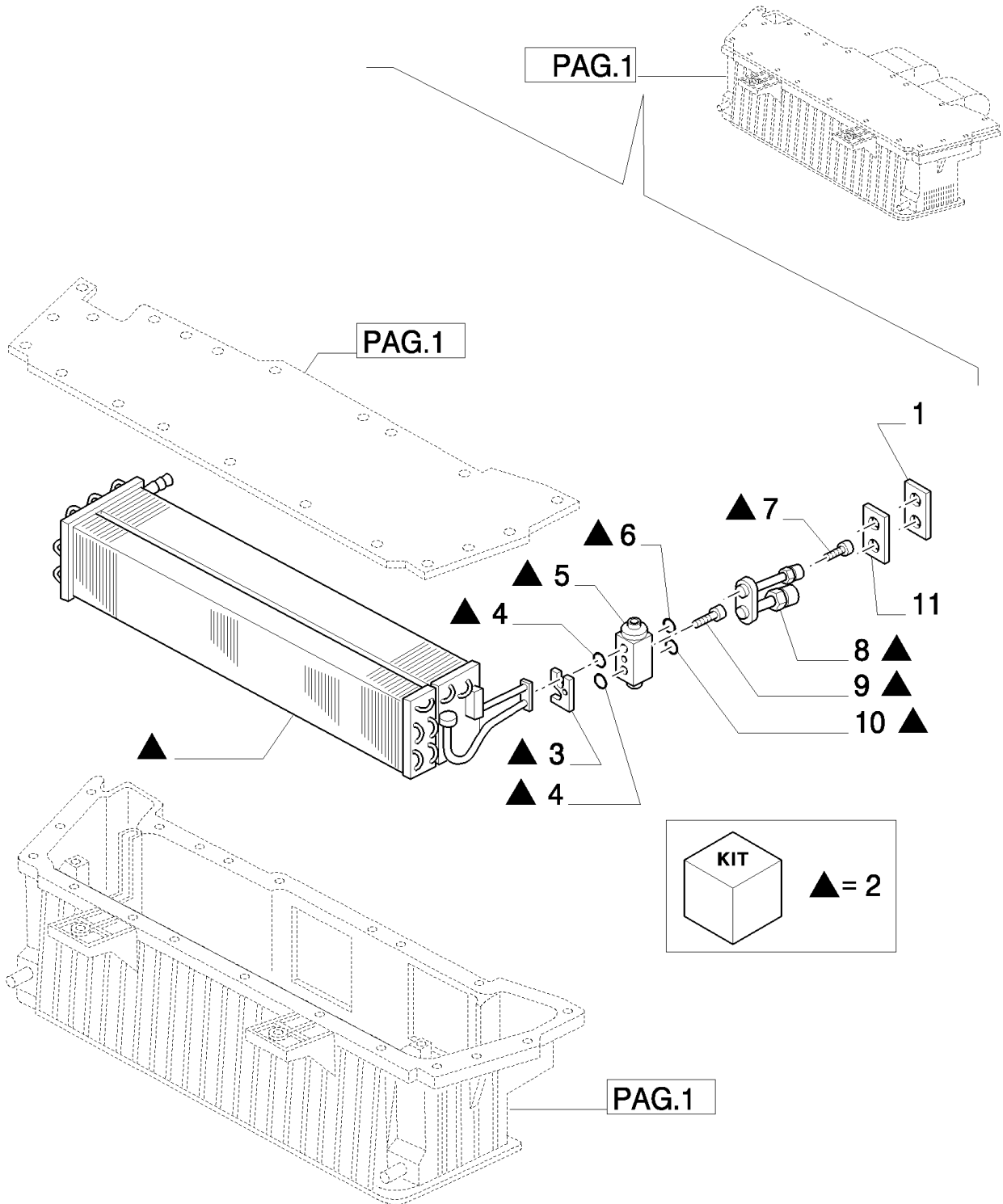
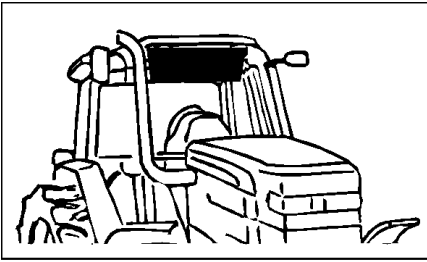


## MXM155 CASE IH TRACTOR (6/02- )

## 1.94.2/ B(01) AIR CONDITIONING BREAKDOWN - D4995

сылка	Номер детали	Кол-во	Описание
1	82034850	1	AIR CONDITIONER,
2	81865554	4	SEAL,
3	82000559	2	SCREW,
4	82000560	4	SCREW,
5	82000564	3	CLIP,
6	82866253	5	SCREW,
7	82034871	1	HARNESS, WIRE,
8	81870363	1	RESISTOR,
9	82001934	23	SCREW,
10	82034852	1	BLOWER,
11	263117	16	STRAP, CABLE, .14" x 11 1/2",
12	82000581	1	COVER,
13	82034877	1	THERMOSTAT,
14	82027128	1	SEAL, A/C Control
15	82000550	1	HOUSING,

D4995 Serial N.ACM210478



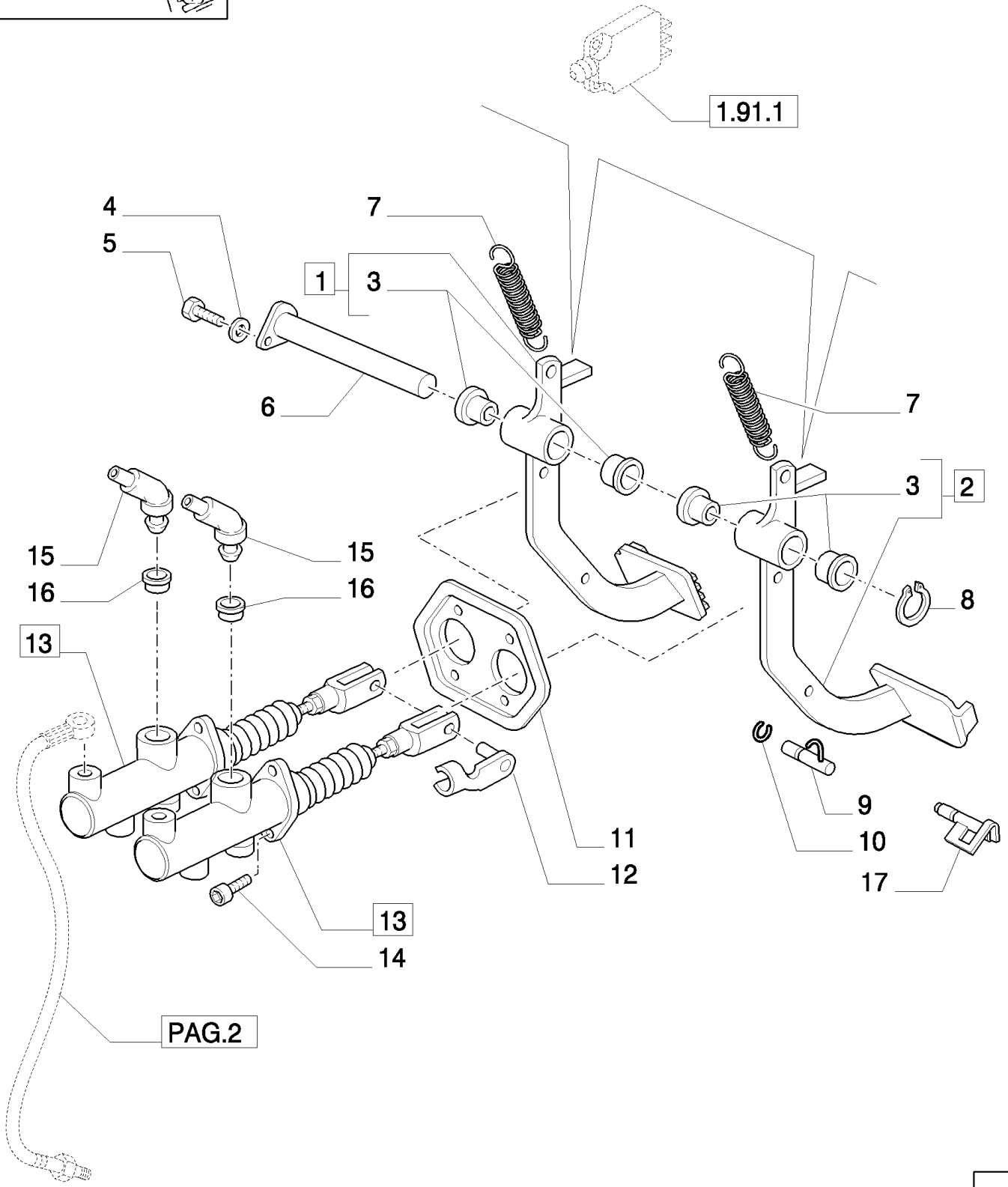
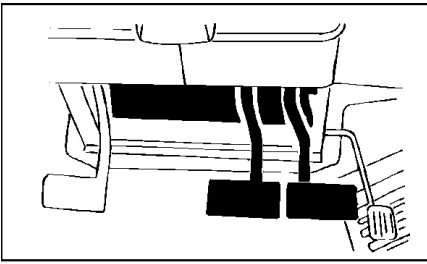
## MXM155 CASE IH TRACTOR (6/02- )

## 1.94.2/ B(02) AIR CONDITIONING BREAKDOWN - D4995

сылка	Номер детали	Кол-во	Описание
1	81872757	1	SEAL, 118 x 58
2	82034855	1	EVAPORATOR, & Heater
3	81874723	1	PLATE,
4	89827059	1	O-RING, 9/16" ID x .073" Thk
5	82034858	1	VALVE, Expansion, Has 4 different size ports
6	82000789	1	O-RING, 11/16" ID x .073" Thk
7	81874722	1	SCREW,
8	82034859	1	TUBE,
9	81874721	2	SCREW, M5 x 45
10	82000793	1	O-RING, 5/16" ID x .073" Thk
11	82009242	1	SEAL, 114.5 x 37
12	89827058	1	O-RING, 7/16" ID x .073" Thk

D4995 Serial N.ACM210478

1.95.0(01) BRAKE PEDALS

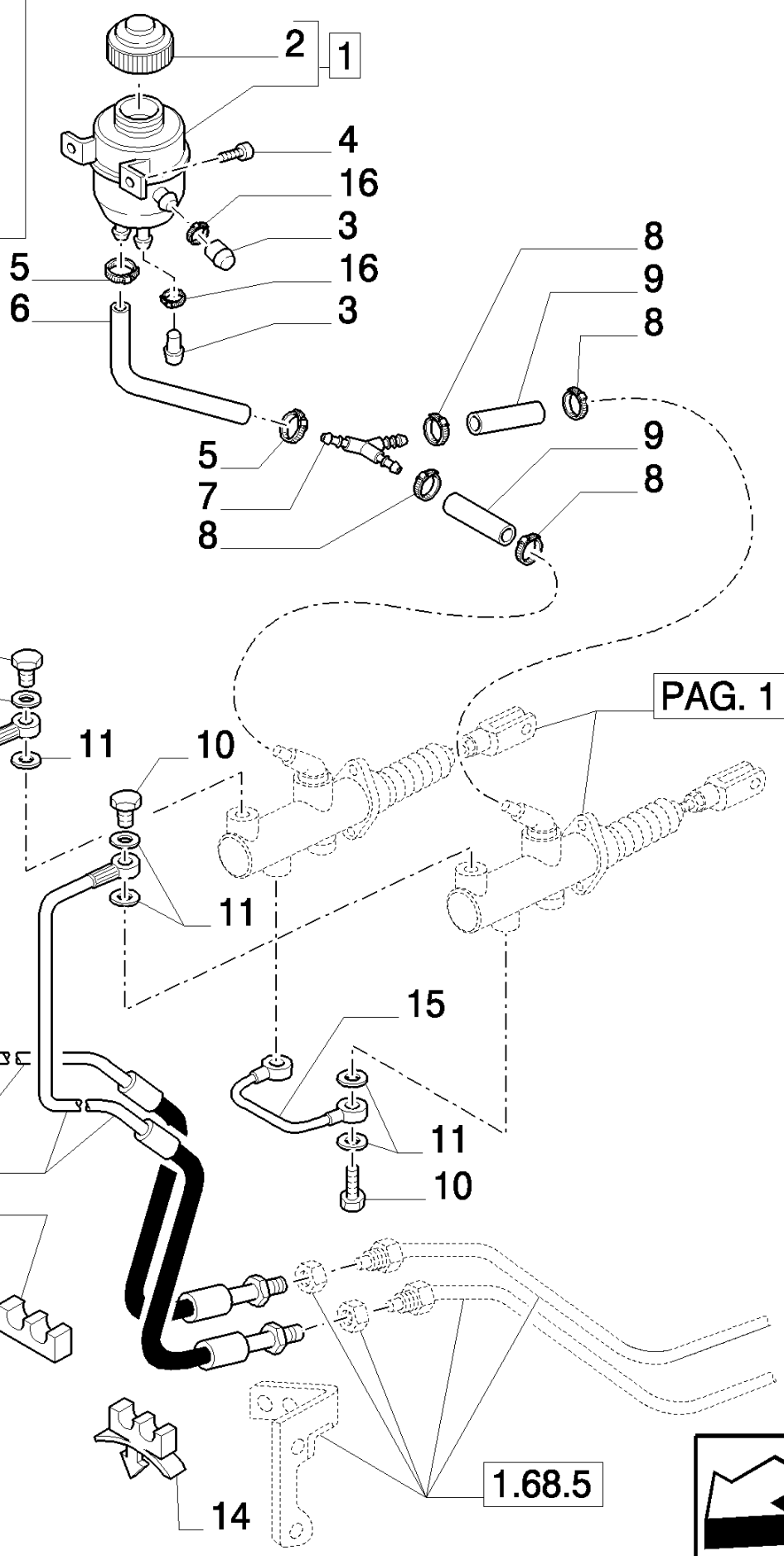
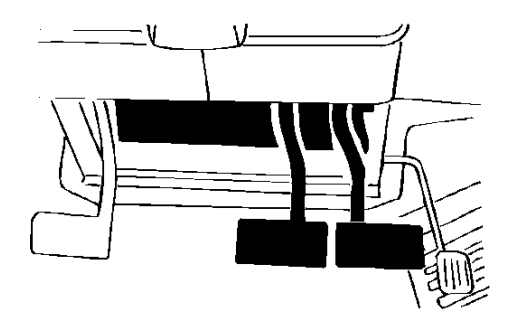


## MXM155 CASE IH TRACTOR (6/02- )

## 1.95.0(01) BRAKE PEDALS

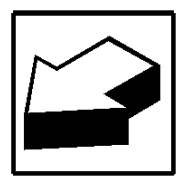
сылка	Номер детали	Кол-во	Описание
1	82036048	1	PEDAL, RH
2	82036051	1	PEDAL, LH
3	5155548	4	BUSHING,
4	10615479	1	WASHER, LOCK, Ext Tooth, M6, Serr,
5	10902024	1	BOLT, Hex, M6 x 12, 8.8, Full Thd,
6	82030041	1	PIN,
7	5153180	2	SPRING,
8	87790533	1	RING, SNAP,
9	82036476	1	PIN, , -C5133
10	11088171	1	RING, SNAP, M11,
11	82028816	1	BEZEL,
12	87316560	2	PIN,
13	82018664	2	MASTER CYLINDER, , -C5229
13	87343615	2	MASTER CYLINDER, , D5229-
14	13632821	4	SCREW, M8 x 25
15	9963010	2	ELBOW,
16	9966201	2	GASKET,
17	87325895	1	PIN, , D5133-

D5133 After Date 30/03/2005 D5229 After date 01 July 2006



PAG. 1

1.68.5



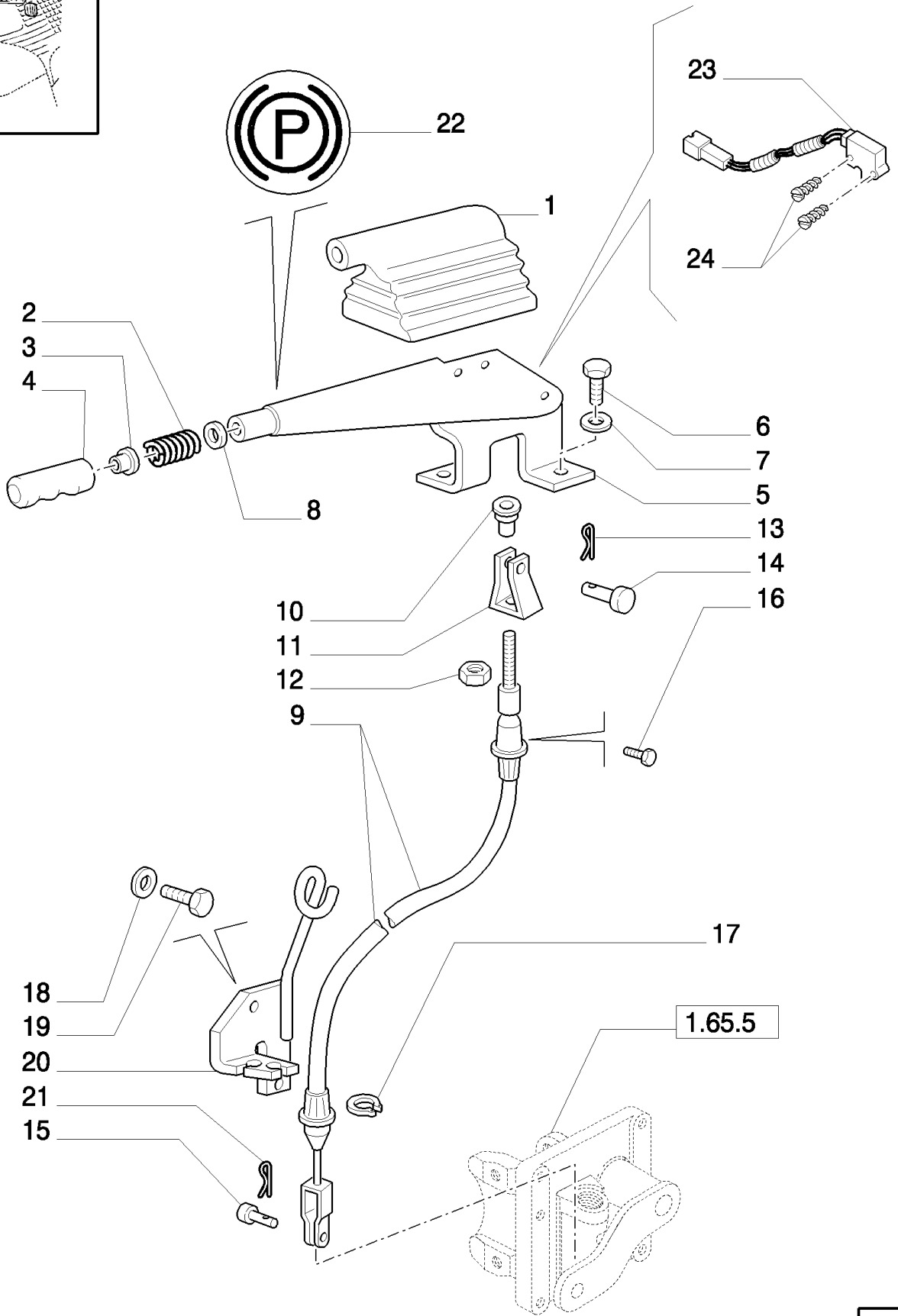
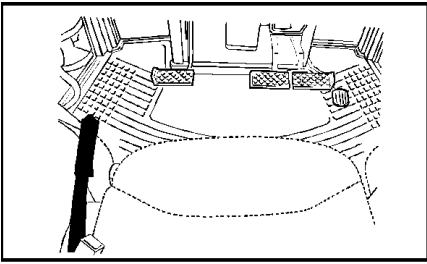


## MXM155 CASE IH TRACTOR (6/02- )

## 1.95.0(02) BRAKE PEDALS

сылка	Номер детали	Кол-во	Описание
1	82031429	1	RESERVOIR, BRAKE FLUID, Brake Fluid
2	82031428	1	CAP,
3	81871497	2	COVER,
4	82880748	2	SCREW, Pan Hd, M6 x 2 x 14
5	81864605	2	CLAMP, HOSE,
6	82016566	1	HOSE,
7	87397960	1	TEE,
8	82011382	6	CLAMP, HOSE,
9	82011329	2	HOSE, FLEXIBLE, 80 mm lg
10	5155703	4	BOLT, BANJO, M12 x 1.25 x 22
11	5183780	8	WASHER, SEALING,
12	82026263	2	BRAKE LINE,
12	82027684	2	BRAKE LINE, , Only for Cab w/Suspension (Var. 635)
13	81863753	1	CLIP,
14	81863745	2	CLIP,
15	82024412	1	BRAKE LINE,
16	529070	2	STRAP, CABLE, .30" x 14.5",

1.95.1 HANDBRAKE CONTROL

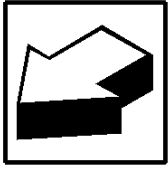
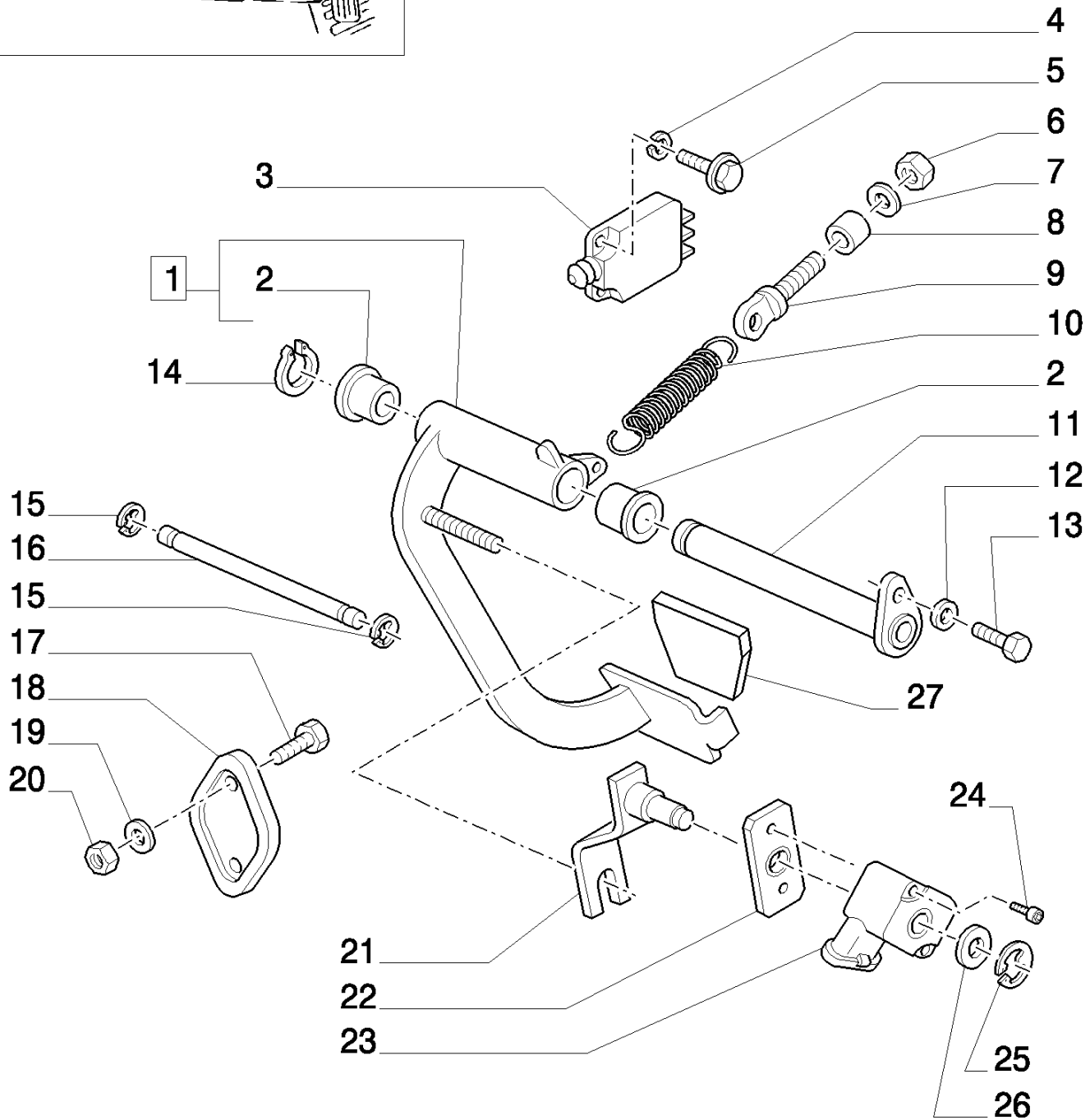
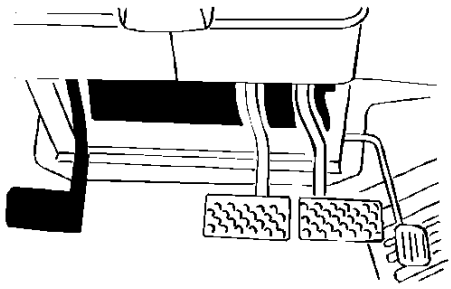


## MXM155 CASE IH TRACTOR (6/02- )

## 1.95.1 HANDBRAKE CONTROL

сылка	Номер детали	Кол-во	Описание
1	81866095	1	BOOT,
2	81866091	1	SPRING,
3	81870377	1	BUTTON,
4	81866090	1	HANDLE GRIP,
5	82006245	1	BRAKE, HAND, (2, 3, 4, 8)
6	11106221	2	BOLT, Hex, M10 x 25, 8.8, Full Thd,
7	14496621	2	WASHER, M10 x 21 x 2,
8	81866092	1	WASHER,
9	87531704	1	CABLE, MXM120, MXM130, MXM140, MXM155
9	87531705	1	CABLE, MXM175, MXM190
10	82000974	1	NUT,
11	82000975	1	YOKE,
12	16100811	1	NUT, M8, CI 8,
13	80280250	1	PIN, SPLIT (COTTER), 3/32" x 3/4"
14	83902558	1	PIN, 3/8" x 1-5/16"
15	10033411	1	PIN, M10
16	82007631	1	SCREW, M5 x 12
17	11087376	1	CIRCLIP, M13,
18	82879352	2	WASHER,
19	15540424	2	BOLT, Hex, M12 x 1.25 x 30, 8.8, Full Thd,
20	82019554	1	BRACKET, MXM120, MXM130, MXM140, MXM155
20	82031225	1	BRACKET, MXM175, MXM190
21	10766901	1	PIN, SPLIT (COTTER), M3.2 x 25,
22	82016114	1	DECAL, Parking Brake
23	87364942	1	SWITCH, Handbrake Warning
24	82007240	2	SCREW,

1.95.2 CLUTCH PEDAL

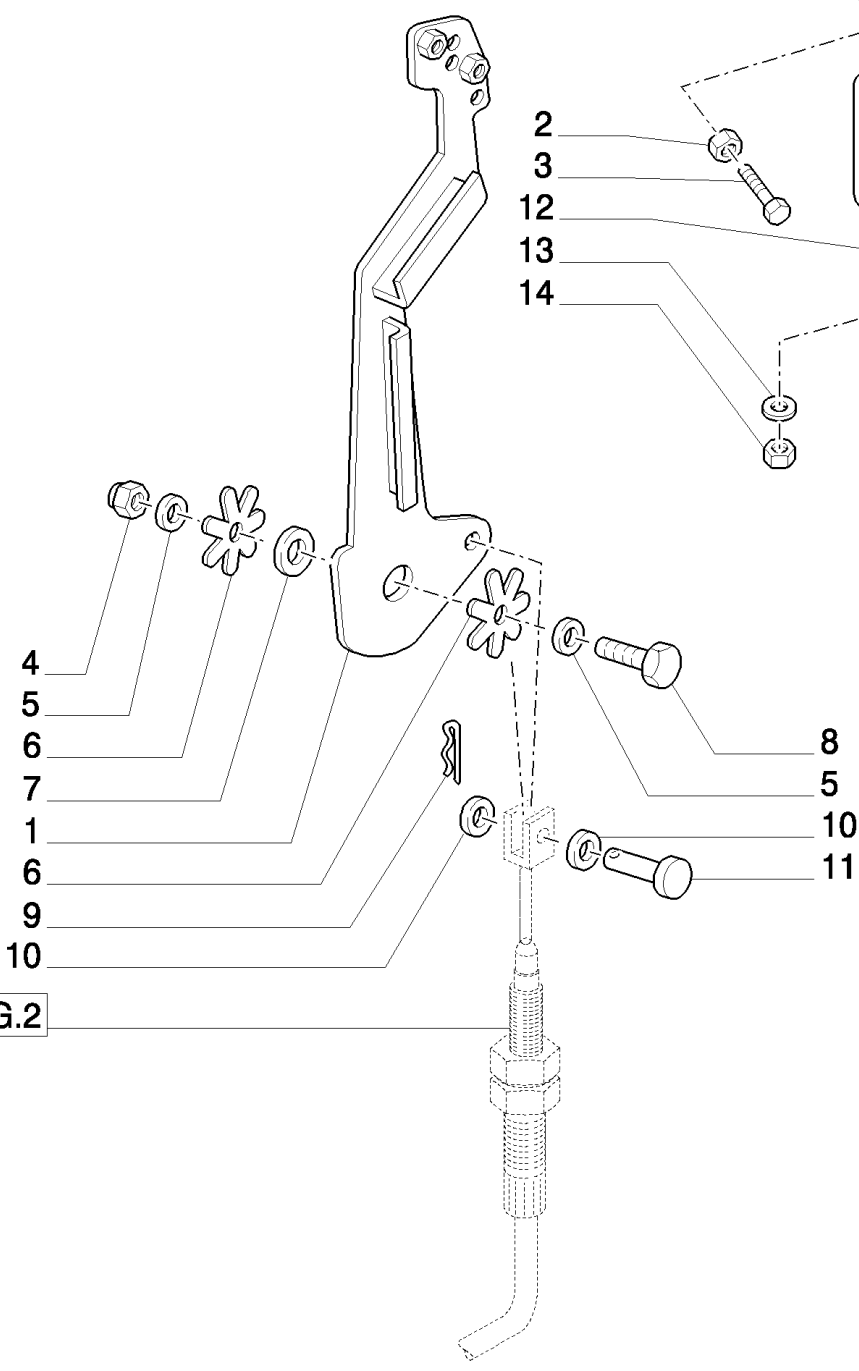
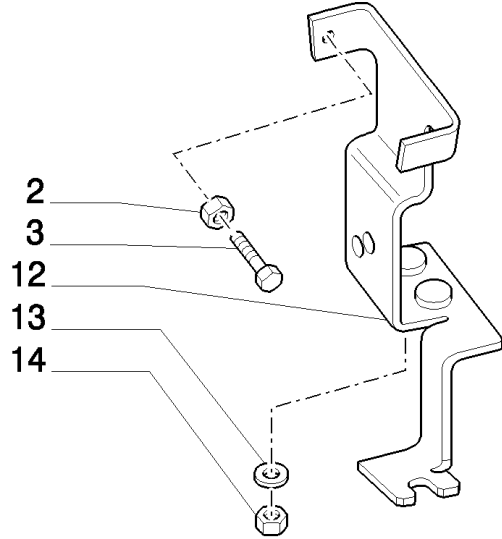
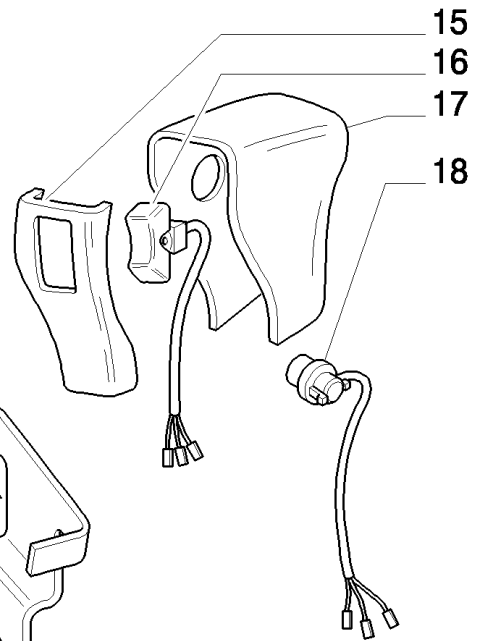
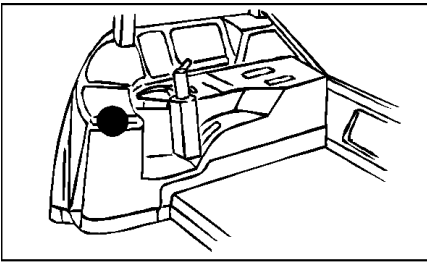


## MXM155 CASE IH TRACTOR (6/02- )

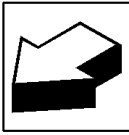
## 1.95.2 CLUTCH PEDAL

сылка	Номер детали	Кол-во	Описание
1	82025743	1	PEDAL, Assy, also Incl. 27
2	5155548	2	BUSHING,
3	82026949	1	SWITCH, Brake
4	14496204	2	WASHER, LOCK,
5	83963569	2	SCREW, Pan Hd, w/Washer, M4 x 12
6	12164721	1	NUT, M10 x 1.25, CI 10,
7	10516874	1	WASHER, LOCK, M10
8	5120607	1	SPACER, M10 x 20 x 12
9	5121612	1	HOOK,
10	82008879	1	SPRING,
11	82030041	1	PIN,
12	10615479	1	WASHER, LOCK, Ext Tooth, M6, Serr,
13	10902024	1	BOLT, Hex, M6 x 12, 8.8, Full Thd,
14	87790533	1	RING, SNAP,
15	11087976	2	CIRCLIP, M8,
16	82000806	1	PIN,
17	16043424	2	SCREW, Hex, M8 x 20, 8.8, Full Thd,
18	82000826	1	RETAINER,
19	10516674	2	WASHER, LOCK, 5/16", (M8)
20	16100811	2	NUT, M8, CI 8,
21	82014694	1	LEVER,
22	82015543	1	PLATE,
23	87543715	1	POTENTIOMETER, Rotary Position Sensor
24	15211521	2	BOLT, Hex, M5 x 32, 8.8, Full Thd,
25	11087871	1	CIRCLIP, M7,
26	10519604	1	WASHER, M8 x 17 x 2,
27	82025747	1	PAD, RUBBER PEDAL,

1.95.4(01) ACCELERATOR HAND CONTROL LINKAGE



PAG.2



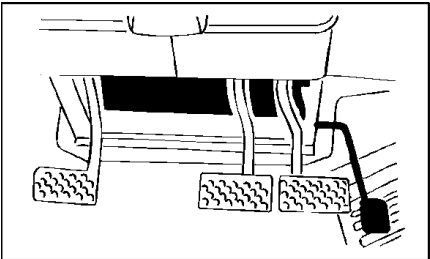
## MXM155 CASE IH TRACTOR (6/02- )

## 1.95.4(01) ACCELERATOR HAND CONTROL LINKAGE

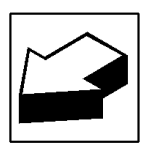
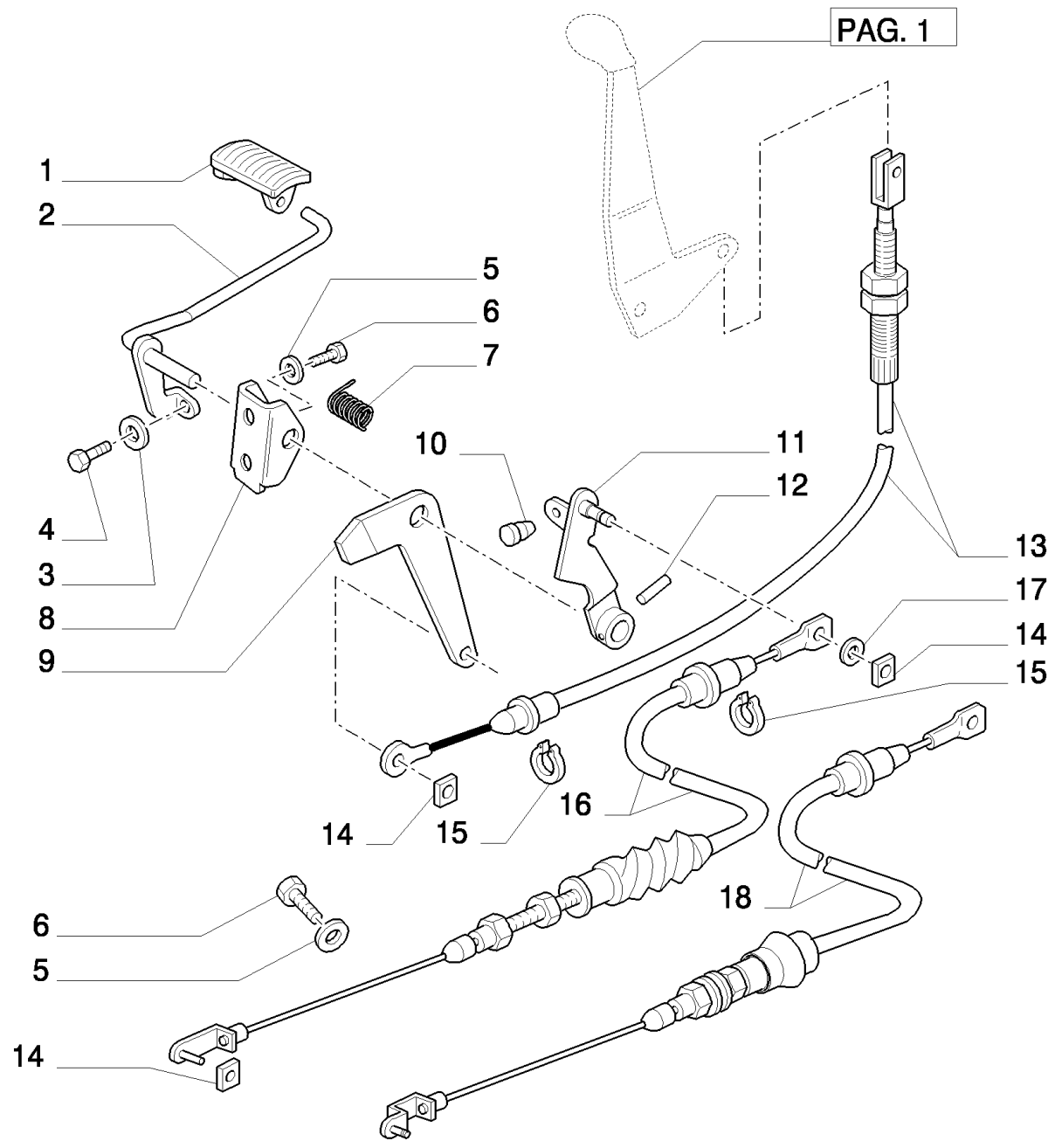
сылка	Номер детали	Кол-во	Описание
1	82030102	1	LEVER,
2	15896421	1	NUT, M5, CI 10,
3	10978221	1	BOLT, Hex, M5 x 25, 8.8, Full Thd,
4	80412126	1	NUT, LOCK, Lock, Insert, CL 8, M12 x 1.75
5	14496704	2	WASHER, 12 x 24 x 2.5 mm
6	87347331	2	WASHER, LOCK, Spring
7	83924272	1	DISC, Friction
8	86629541	1	BOLT, Hex, M12 x 40, 8.8, Full Thd,
9	83947375	1	PIN,
10	17094714	2	WASHER, LOCK, M6 x 12.5
11	83963082	1	PIN, CLEVIS, M6 x 14
12	82030101	1	BRACKET,
13	14496504	2	WASHER, M8 x 17 x 1.6,
14	16100811	2	NUT, M8, CI 8,
15	316000A2	1	GRIP,
16	82030904	1	SWITCH, Up & Down
17	388705A1	1	GRIP,
17	293388A2	1	GRIP, , W/Full Power Shift trans. 18 x 6 (40 KPH-4WD) and 17 x 6 (30 KPH-2WD) Equip. 281
18	82029181	1	SWITCH, Range Selector

1.95.4(02) ACCELERATOR CONTROL LINKAGE

STD.EQUIP.



PAG. 1



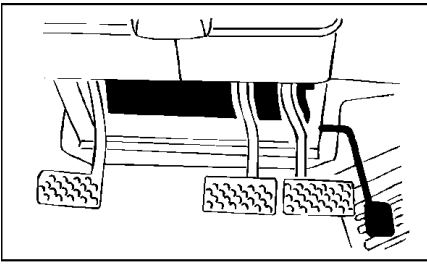


## MXM155 CASE IH TRACTOR (6/02- )

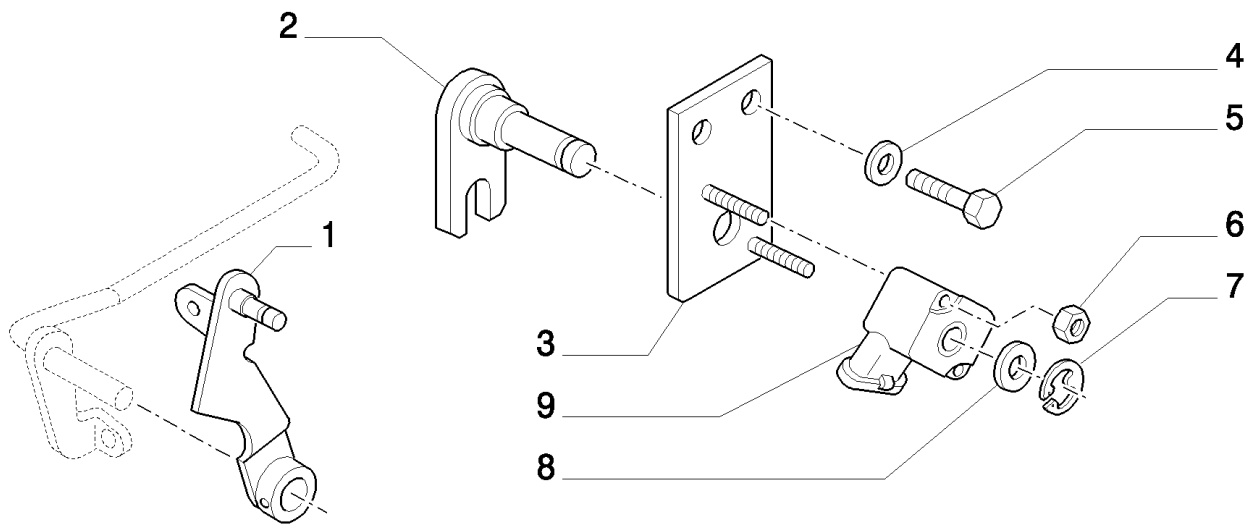
## 1.95.4(02) ACCELERATOR CONTROL LINKAGE

сылка	Номер детали	Кол-во	Описание
1	5167651	1	PEDAL,
2	5170351	1	PEDAL STEM,
3	15896221	1	NUT, M6, CI 10,
4	16050621	1	BOLT, Hex, M6 x 30, 8.8, Full Thd,
5	10516674	2	WASHER, LOCK, 5/16", (M8)
6	16043424	2	SCREW, Hex, M8 x 20, 8.8, Full Thd,
7	5148906	1	SPRING,
8	5157531	1	SUPPORT,
9	82000802	1	LEVER,
10	81823467	1	PAD,
11	82009504	1	LEVER,
12	13938070	1	PIN, ROLL, M4 x 24, Coiled,
13	82026140	1	CABLE, FLEXIBLE, , BSN ACM281223
13	87394939	1	CABLE, FLEXIBLE, , ASN ACM281224
14	11063876	3	CLIP,
15	11087976	2	CIRCLIP, M8,
16	82025456	1	CABLE, FLEXIBLE, , BSN ACM281223
17	14497806	1	WASHER, LOCK,
18	87396116	1	CABLE, FLEXIBLE, , ASN ACM281224

D5358 Serial N.ACM281224



W/FULL POWER-SHIFT TRANS.18X6 (40Km/h)-Equip.281 AND  
W/FULL POWER-SHIFT TRANS.17X6 (30Km/h)-Equip.281/1

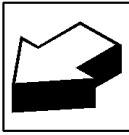
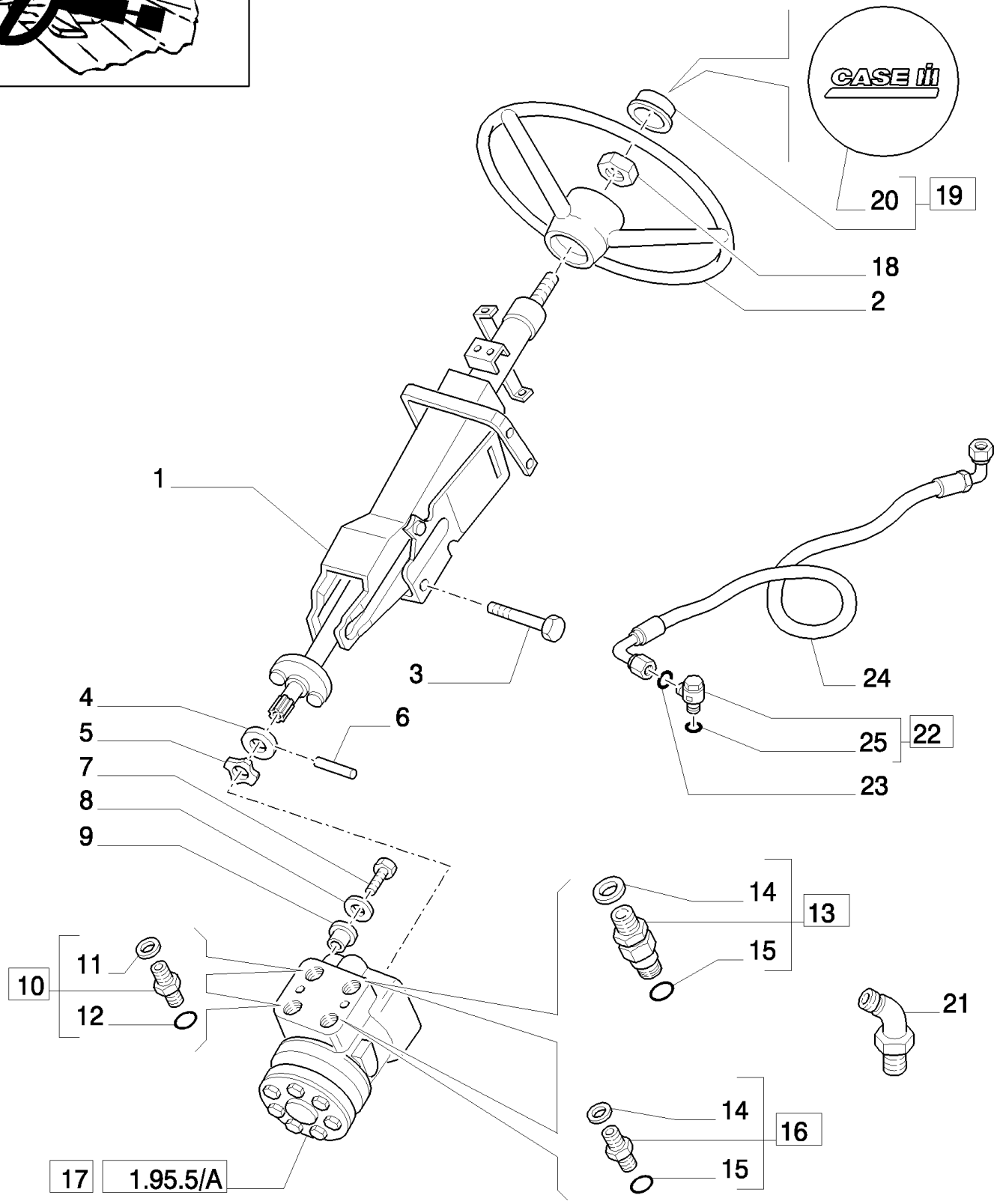
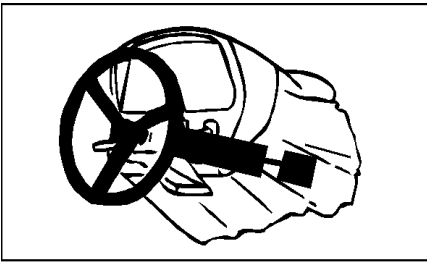


## MXM155 CASE IH TRACTOR (6/02- )

## 1.95.4/02 (VAR.281) ACCELERATOR CONTROL LINKAGE

сылка	Номер детали	Кол-во	Описание
1	82030857	1	LEVER,
2	82018106	1	ARM,
3	82030855	1	BRACKET,
4	14496504	2	WASHER, M8 x 17 x 1.6,
5	10902224	2	BOLT, Hex, M6 x 16, 8.8, Full Thd,
6	12574111	2	NUT, LOCK, M5 x .8, CI 8,
7	11087871	1	CIRCLIP, M7,
8	10519604	1	WASHER, M8 x 17 x 2,
9	87543715	1	POTENTIOMETER, Rotary Position Sensor

1.95.5 HYDROSTATIC STEERING WHEEL AND STEERING COLUMN

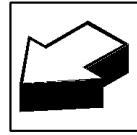
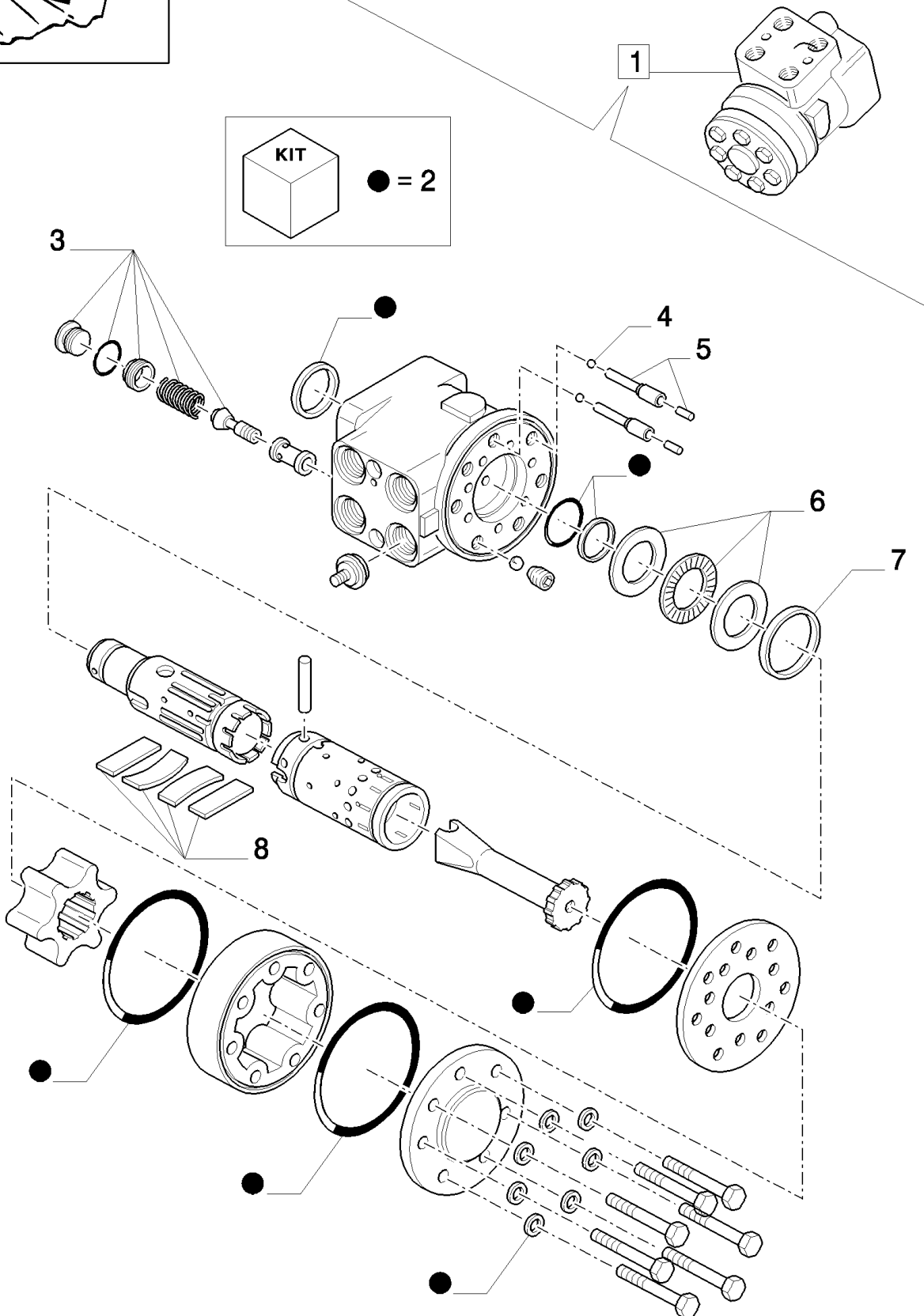
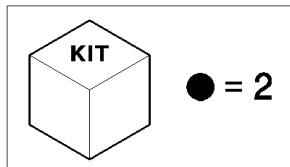
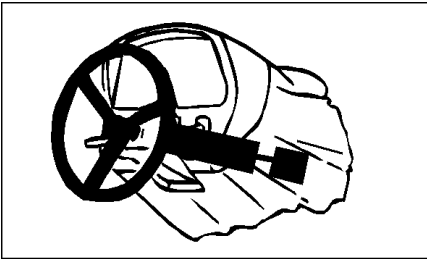


## MXM155 CASE IH TRACTOR (6/02- )

## 1.95.5 HYDROSTATIC STEERING WHEEL AND STEERING COLUMN

сылка	Номер детали	Кол-во	Описание
1	87308090	1	STEERING COLUMN,
2	82016844	1	STEERING WHEEL,
3	82008760	4	SCREW,
4	81862874	1	COLLAR,
5	81873344	1	SUPPORT,
6	81862880	1	PIN,
7	11106624	4	BOLT, Hex, M10 x 35, 8.8, Full Thd,
8	83904166	4	WASHER, M10
9	82009429	4	BUSHING,
10	82016498	2	CONNECTOR, HYD., 1"-14 UN-2A/M22 x 1.5
11	82016732	1	SEAL, 19.6 x 24.3 x 1.5
12	83901443	1	O-RING, 90 Duro, .625" ID x .070" Thk
13	82016471	1	VALVE, PRESSURE RELIEF, M18 x 1.5/11/16"-16 UN-2A, 2WD
14	83999938	2	SEAL, 15.7 x 20.9 x 1.5
15	81844851	2	O-RING, 90 Duro, .375" ID x .070" Thk
16	82016499	AR	CONNECTOR, HYD., M18 x 1.5-11/16UN-2A, 2WD Qty = 1; 4WD Qty = 2
17	82001471	1	STEERING HYDRAULIC, MXM120, MXM130, MXM140, MXM155
17	82016413	1	STEERING HYDRAULIC, 2WD, MXM175, MXM190
17	47126025	1	STEERING HYDRAULIC, 4WD, MXM175, MXM190
18	83908148	1	NUT, 5/8"-18, Thin,
19	82023492	1	CAP,
20	86401707	1	EMBLEM,
21	82035268	1	ELBOW,
22	82016838	1	ELBOW,
23	82016850	1	O-RING,
24	82033352	1	HOSE, FLEXIBLE, Load Sensing
25	82016851	1	SEALRING,

1.95.5/ A HYDRAULIC STEERING BREAKDOWN

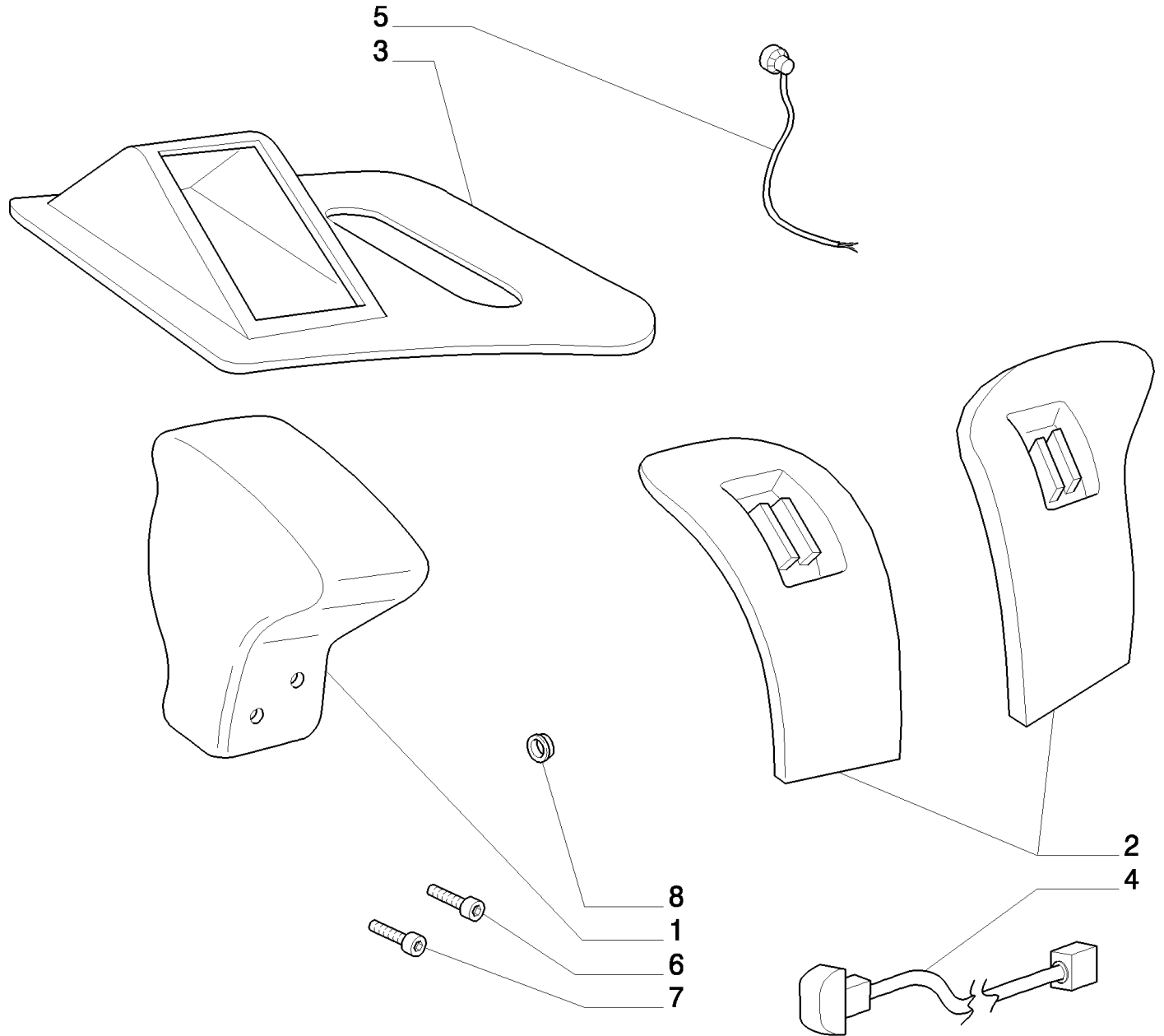
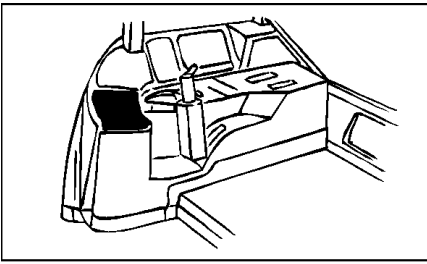


## MXM155 CASE IH TRACTOR (6/02- )

## 1.95.5/ A HYDRAULIC STEERING BREAKDOWN

сылка	Номер детали	Кол-во	Описание
1	82001471	1	STEERING HYDRAULIC, Assy
2	9970369	1	KIT, SEALS,
3	9967909	1	KIT, Valve
4	9960184	2	BALL, 4WD
5	9961829	2	PIN, 4WD
6	71314915	1	KIT, Bearing Assy
7	9288137	1	RING,
8	9966587	1	KIT, Springs

1.96.0(01) GEARBOX CONTROL





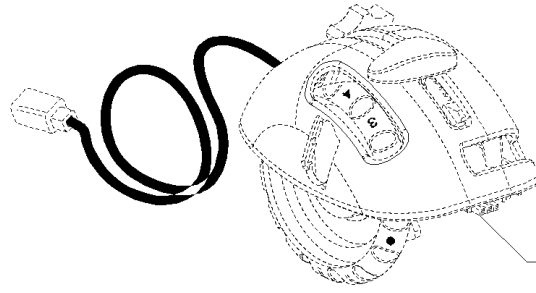
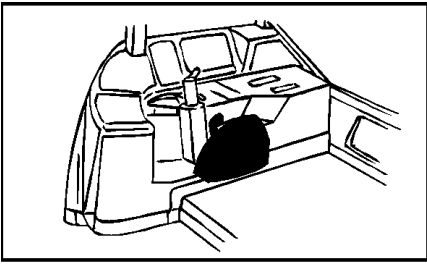
## MXM155 CASE IH TRACTOR (6/02- )

## 1.96.0(01) GEARBOX CONTROL

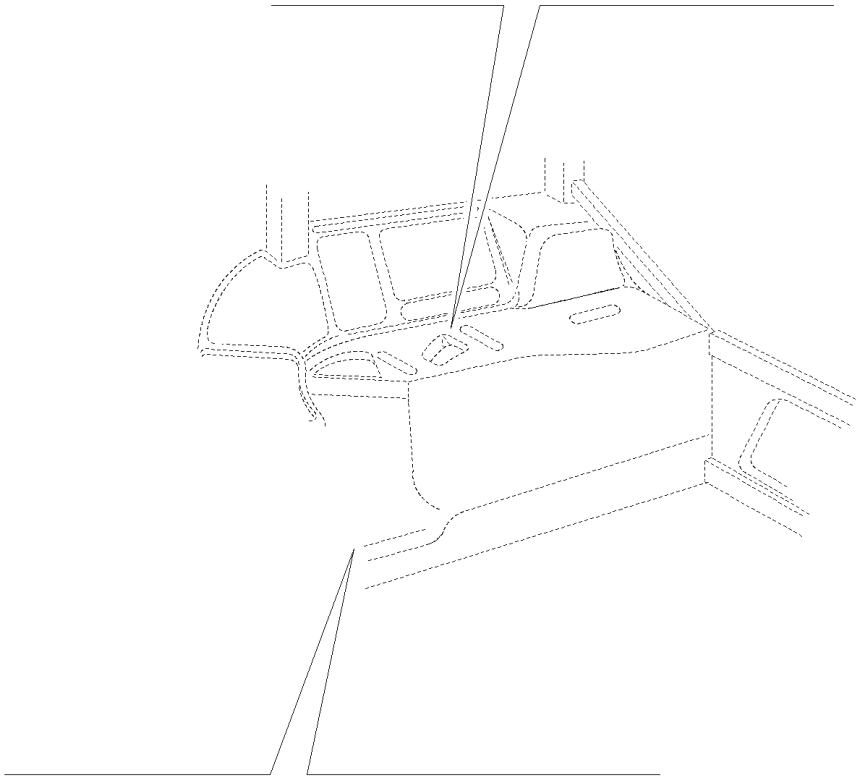
сылка	Номер детали	Кол-во	Описание
1	388705A1	1	GRIP, Throttle
1	293388A2	1	GRIP, Throttle, W/Full Power Shift trans. 18 x 6 (40 KPH-4WD) and 17 x 6 (30 KPH-2WD) Equip. 281
2	316000A2	1	GRIP, Handle
3	82034416	1	COVER, Switch, -C5088
3	87309878	1	COVER, Switch, D5088-
4	82030904	1	SWITCH, Up/Down
5	82029181	1	SWITCH, Up/Down
6	864-4020	2	SCREW, Hex Soc Hd, M4 x 20, 8.8,
7	368048A1	4	SCREW, M4 x 12
8	81862738	7	PLUG,

D5088 Serial N. ACM272179

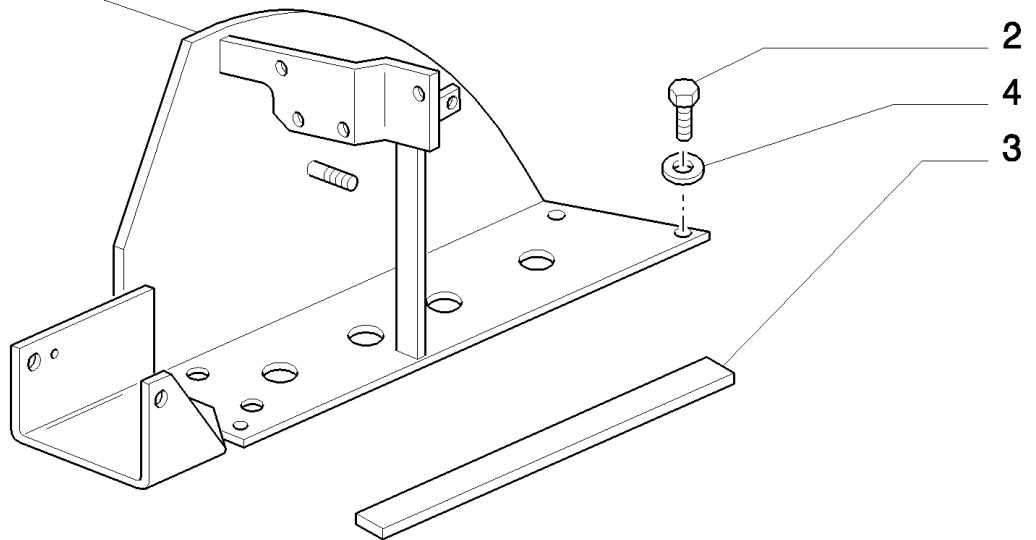
1.96.1 LIFT CONTROL



1.97.0



1

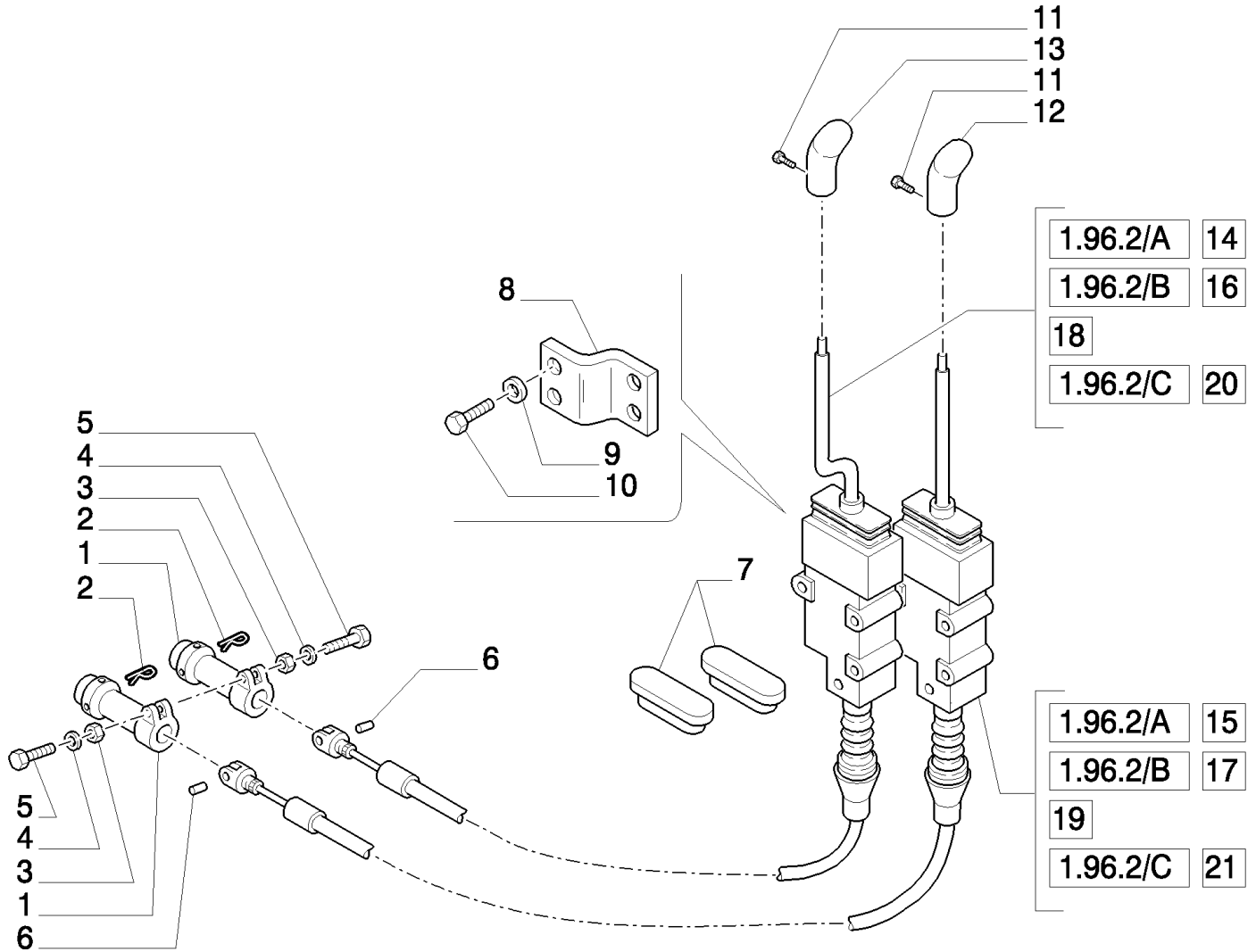
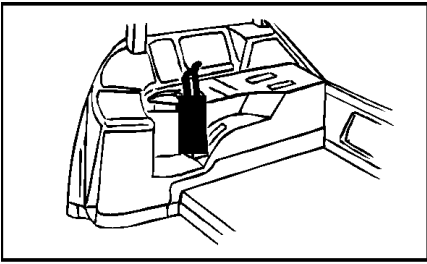


## MXM155 CASE IH TRACTOR (6/02- )

## 1.96.1 LIFT CONTROL

сылка	Номер детали	Кол-во	Описание
1	82024749	1	SUPPORT,
2	16043624	5	BOLT, Hex, M8 x 25, 8.8, Full Thd,
3	82000180	1	STRIP, SEALING,
4	12628904	5	WASHER, M8 x 25 x 4,

1.96.2(01) CONTROL VALVES



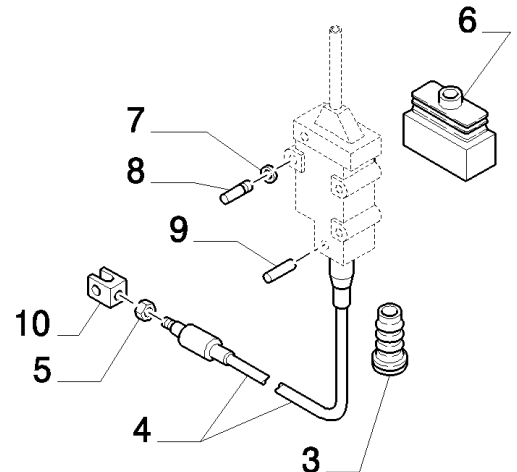
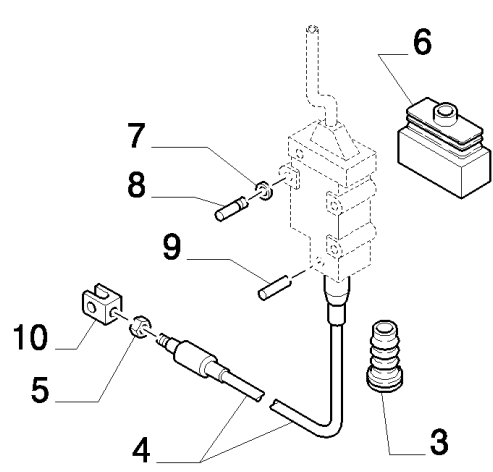
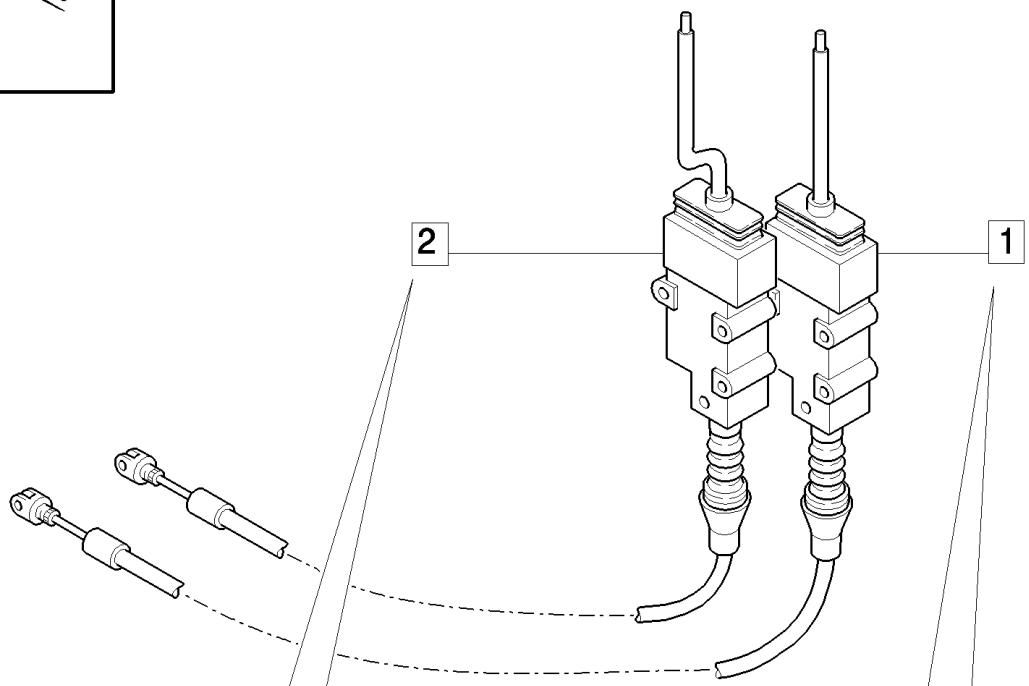
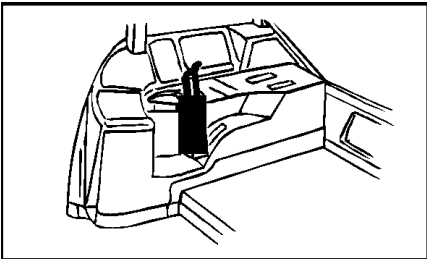
## MXM155 CASE IH TRACTOR (6/02- )

## 1.96.2(01) CONTROL VALVES

сылка	Номер детали	Кол-во	Описание
1	87356033	2	SLEEVE,
2	82026318	4	PIN, SPLIT (COTTER),
3	15896221	2	NUT, M6, CI 10,
3	15896224	2	NUT,
4	10615479	2	WASHER, LOCK, Ext Tooth, M6, Serr,
5	81865692	2	SCREW, M6 x 30
5	10903034	2	SCREW,
6	82001332	2	PIN,
7	82025499	2	PLUG,
8	82006519	1	PLATE,
9	12647104	2	WASHER, M8 x 20 x 3,
10	16044331	4	BOLT, Hex, M8 x 55, 10.9,
11	13309117	2	SCREW, Cross Oval Hd, M4 x 14,
12	82026096	1	KNOB, Second Control Valve
13	82026095	1	KNOB, First Control Valve
14	82030045	1	CONTROL, , -C5167
15	82030044	1	CONTROL, , -C5167
16	82035846	1	CONTROL, , D5167-ACM243986
17	82035845	1	CONTROL, , D5167-ACM243986
18	87309770	1	CONTROL, , BTW ACM243987 & ACM257211
19	87309769	1	CONTROL, , BTW ACM243987 & ACM257211
20	87567708	1	CONTROL, , ASN ACM257212
21	87567706	1	CONTROL, , ASN ACM257212

D5167 After Date 04 March 2003 D5168 Serial N.ACM243987 D5169 Serial N.ACM257212

1.96.2/ A CONTROL VALVES - BREAKDOWN

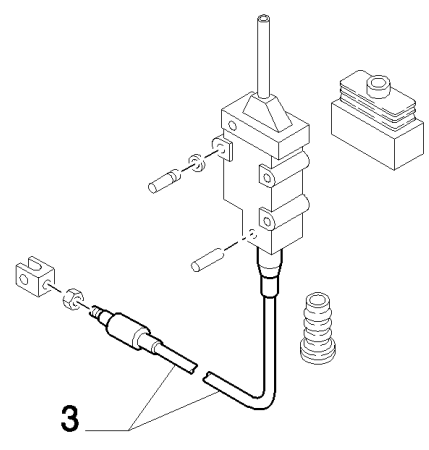
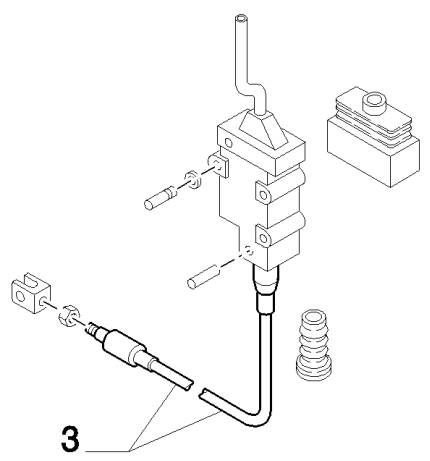
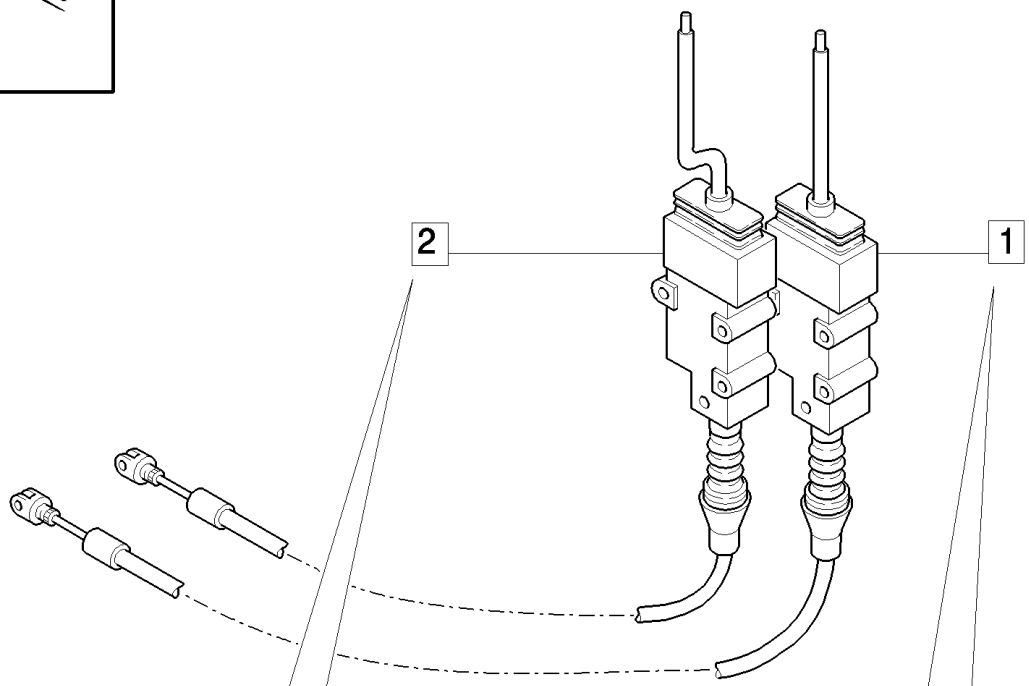
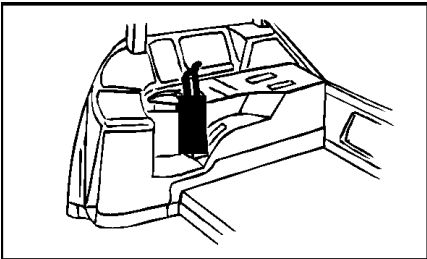


## MXM155 CASE IH TRACTOR (6/02- )

## 1.96.2/ A CONTROL VALVES - BREAKDOWN

сылка	Номер детали	Кол-во	Описание
1	82030044	1	CONTROL,
2	82030045	1	CONTROL,
3	82006917	2	BOOT,
4	82030042	2	CABLE,
5	83999895	2	NUT, LOCK,
6	83999894	2	BOOT,
7	83999888	2	CLIP,
8	83999891	2	PIN,
9	83999889	2	PIN,
10	82019690	2	CLEVIS,

1.96.2/ B CONTROL VALVES - BREAKDOWN



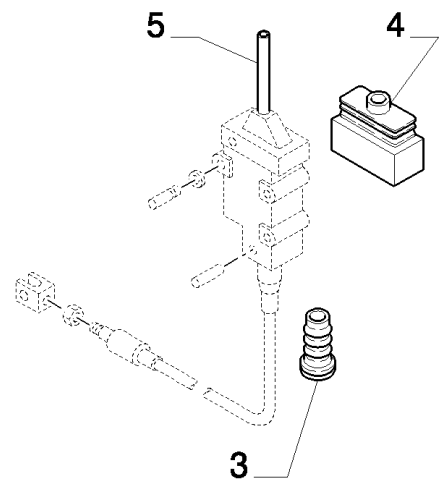
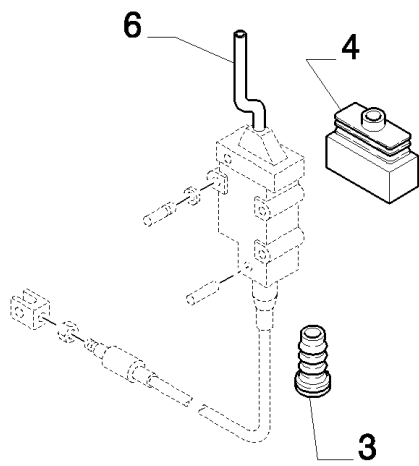
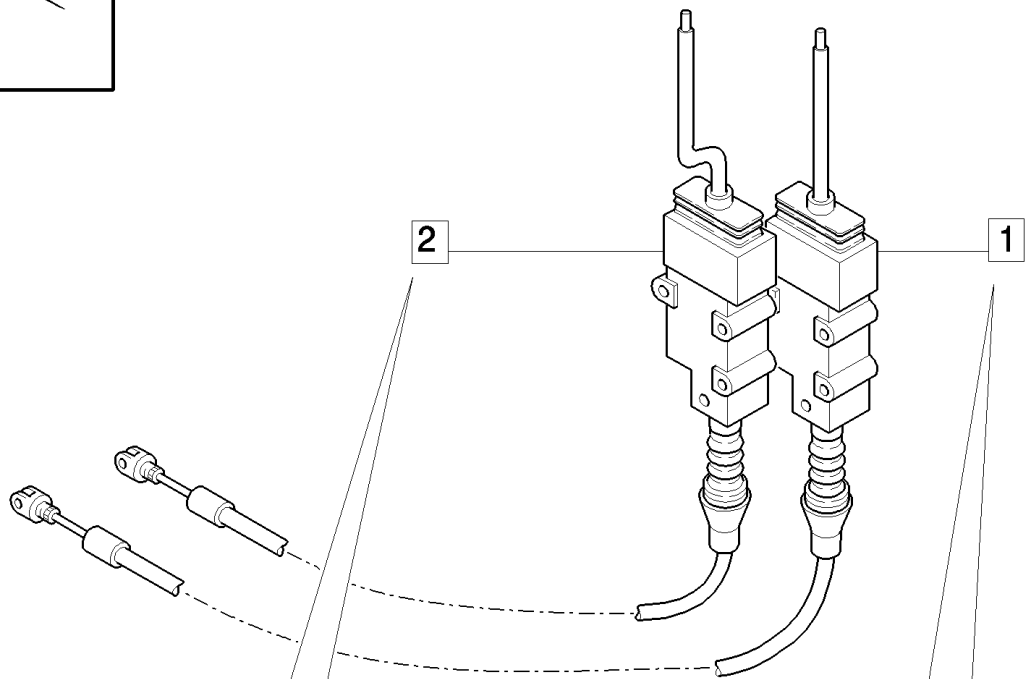
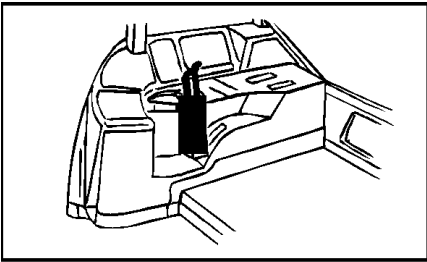


MXM155 CASE IH TRACTOR (6/02- )

1.96.2/ B CONTROL VALVES - BREAKDOWN

сылка	Номер детали	Кол-во	Описание
1	82035845	1	CONTROL,
2	82035846	1	CONTROL,
3	82030042	2	CABLE,

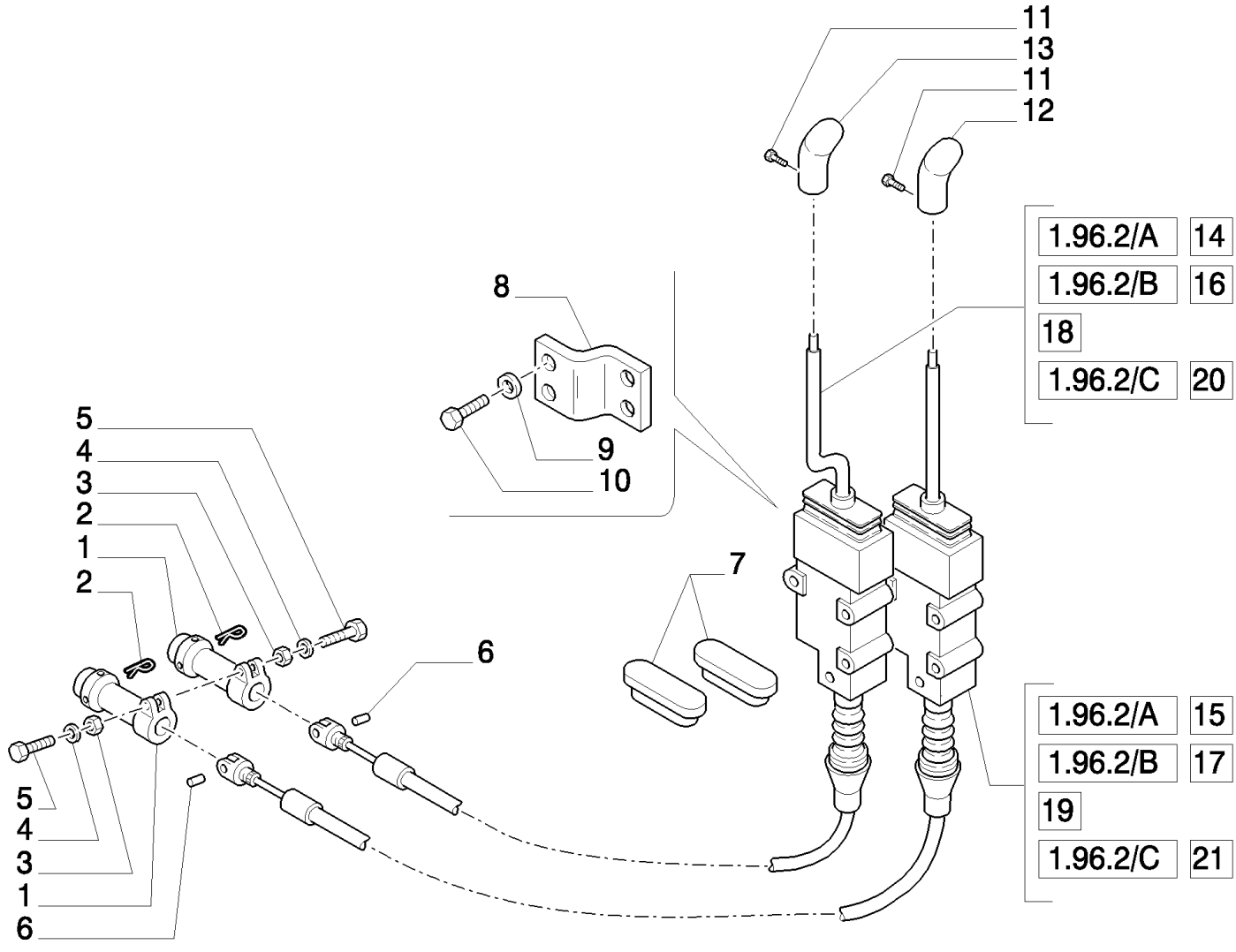
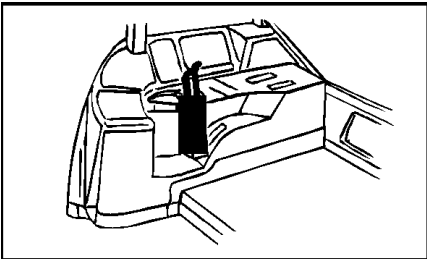
1.96.2/ C CONTROL VALVES - BREAKDOWN



MXM155 CASE IH TRACTOR (6/02- )

1.96.2/ C CONTROL VALVES - BREAKDOWN

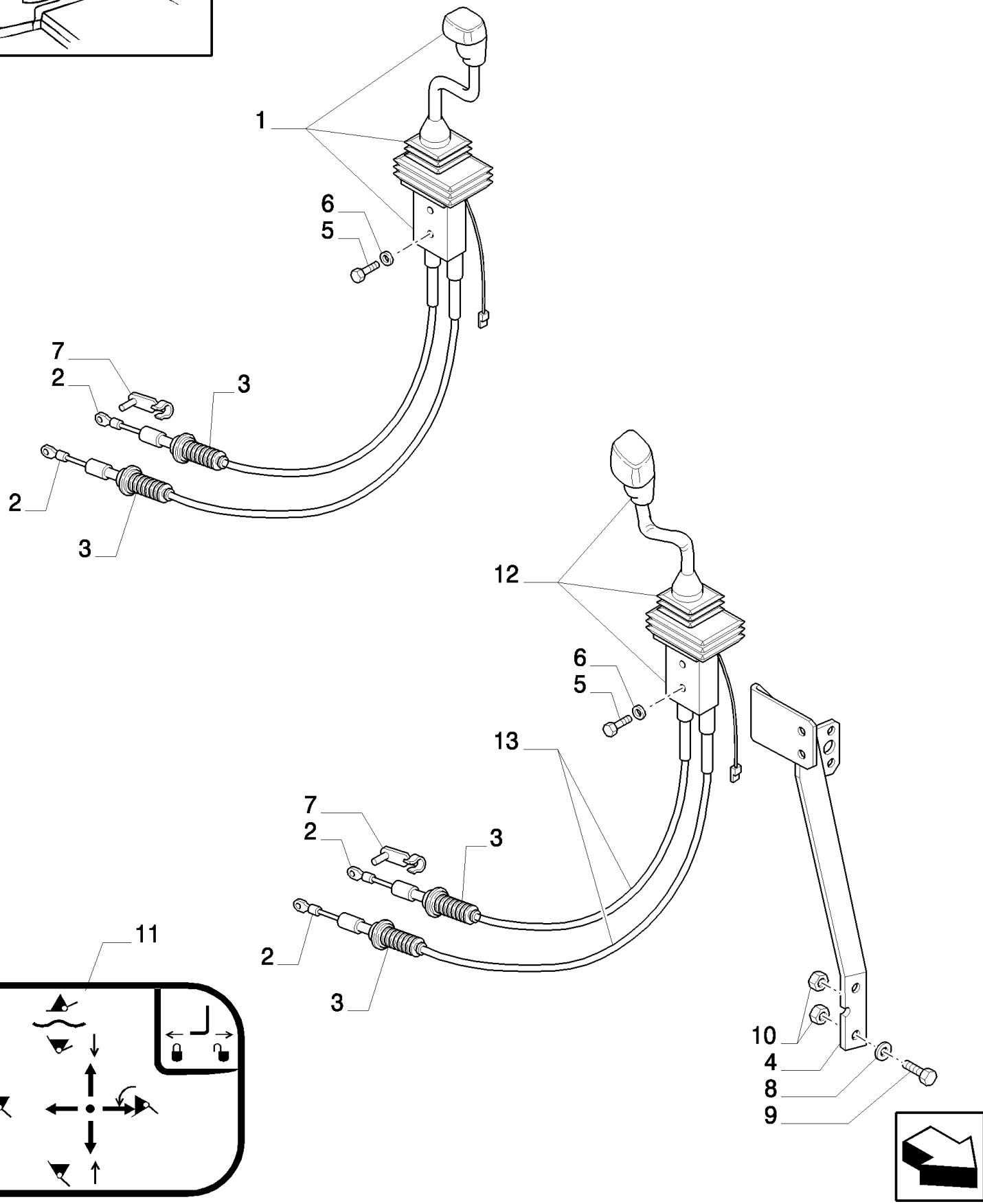
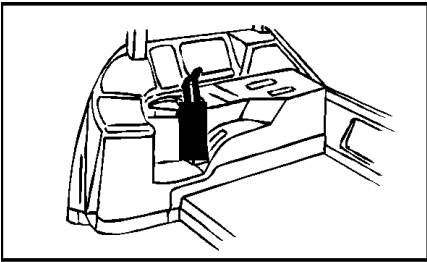
сылка	Номер детали	Кол-во	Описание
1	87567706	1	CONTROL,
2	87567708	1	CONTROL,
3	82006917	2	BOOT,
4	87335764	2	BOOT,
5	87335765	1	LEVER,
6	87335767	1	LEVER,



## MXM155 CASE IH TRACTOR (6/02- )

## 1.96.2/01 (VAR.425) 4-CONTROL VALVE - CONTROL VALVES

сылка	Номер детали	Кол-во	Описание
1	87356033	2	SLEEVE,
2	82026318	4	PIN, SPLIT (COTTER),
3	15896221	2	NUT, M6, CI 10,
3	15896224	2	NUT,
4	10615479	2	WASHER, LOCK, Ext Tooth, M6, Serr,
5	81865692	2	SCREW, M6 x 30
5	10903034	2	SCREW,
6	82001332	2	PIN,
8	82006519	1	PLATE,
7	82025499	2	PLUG,
9	12647104	2	WASHER, M8 x 20 x 3,
10	16044331	4	BOLT, Hex, M8 x 55, 10.9,
11	13309117	2	SCREW, Cross Oval Hd, M4 x 14,
12	82026095	1	KNOB, First Control Valve
12	82026097	1	KNOB, Third Control Valve
13	82026096	1	KNOB, Second Control Valve
13	82026098	1	KNOB, Fourth Control Valve
14	82030045	1	CONTROL, , -C5167
15	82030044	1	CONTROL, , -C5167
16	82035846	1	CONTROL, , D5167-ACM243986
17	82035845	1	CONTROL, , D5167-ACM243986
18	87309770	1	CONTROL, , BTW ACM243987 & ACM257211
19	87309769	1	CONTROL, , BTW ACM243987 & ACM257211
20	87567708	1	CONTROL, , ASN ACM257212
21	87567706	1	CONTROL, , ASN ACM257212

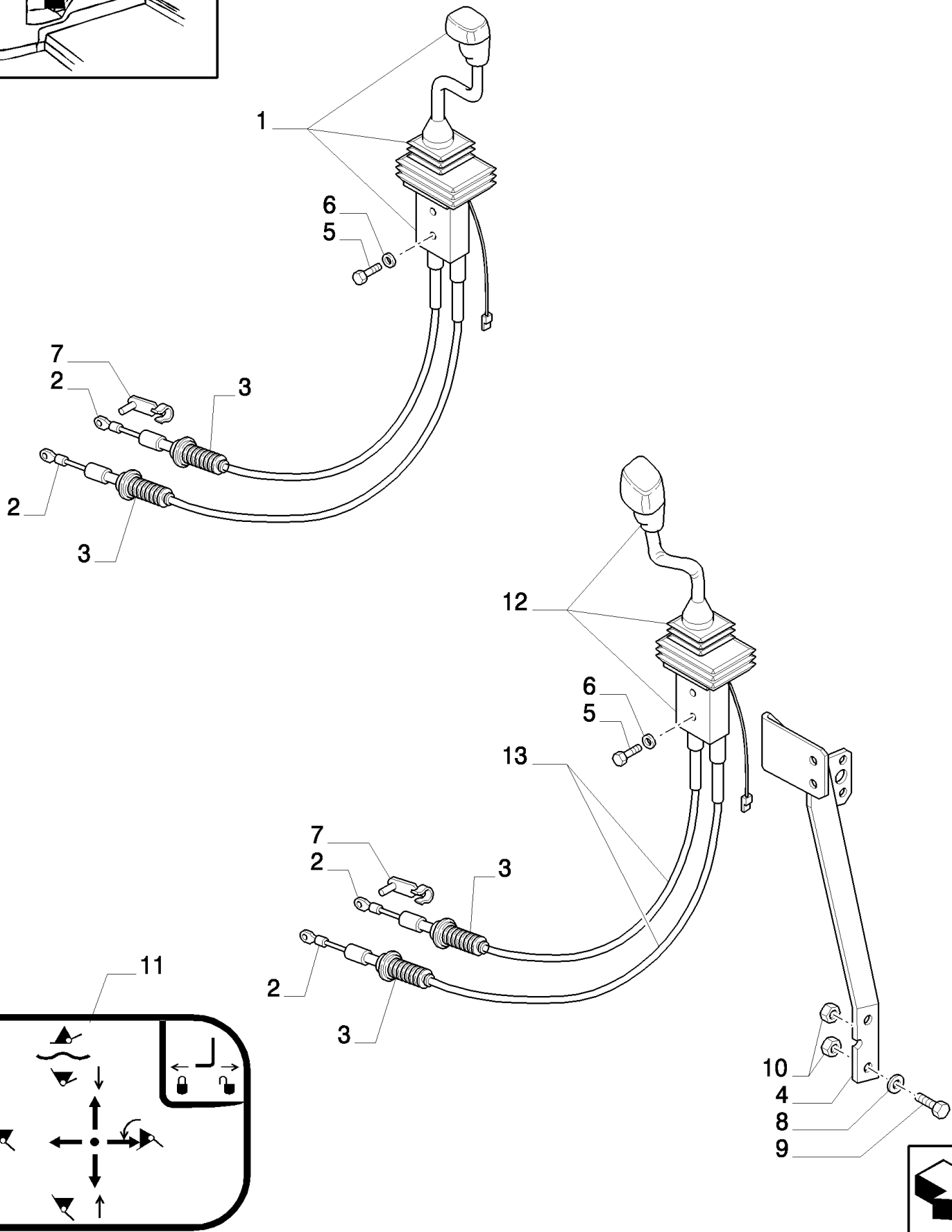
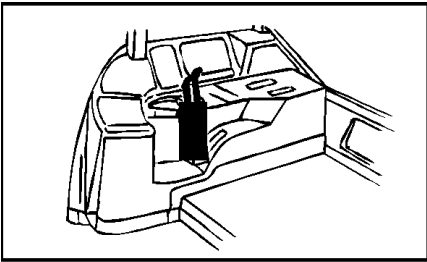


## MXM155 CASE IH TRACTOR (6/02- )

## 1.96.2/02 (VAR.440) VALVE CONTROL UNIT WITH JOYSTICK FOR LOADER

сылка	Номер детали	Кол-во	Описание
1	82005313	1	SLEEVE, Incl. 2, 3, ASN 200705
2	82019805	2	CLEVIS,
3	82006917	2	BOOT,
4	82022498	1	BRACKET,
5	16044321	2	BOLT, Hex, M8 x 55, 8.8,
6	14496504	2	WASHER, M8 x 17 x 1.6,
7	82022510	2	CLIP, SPRING,
8	86511315	4	WASHER, M8 x 16 x 1.6,
9	81872099	4	SCREW, HH, CL 8.8, M8 x 1.25 x 16
10	16100811	2	NUT, M8, CI 8,
11	82025300	1	DECAL, Joystick Control
12	82030545	1	JOYSTICK, Incl. 2, 3 with bent Joystick Lever, BSN 200704
13	82033062		AR CABLE,

D4787 Serial N.200705



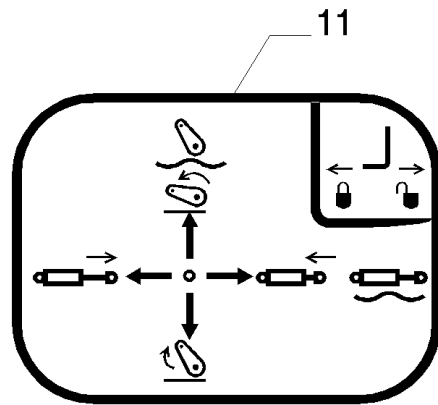
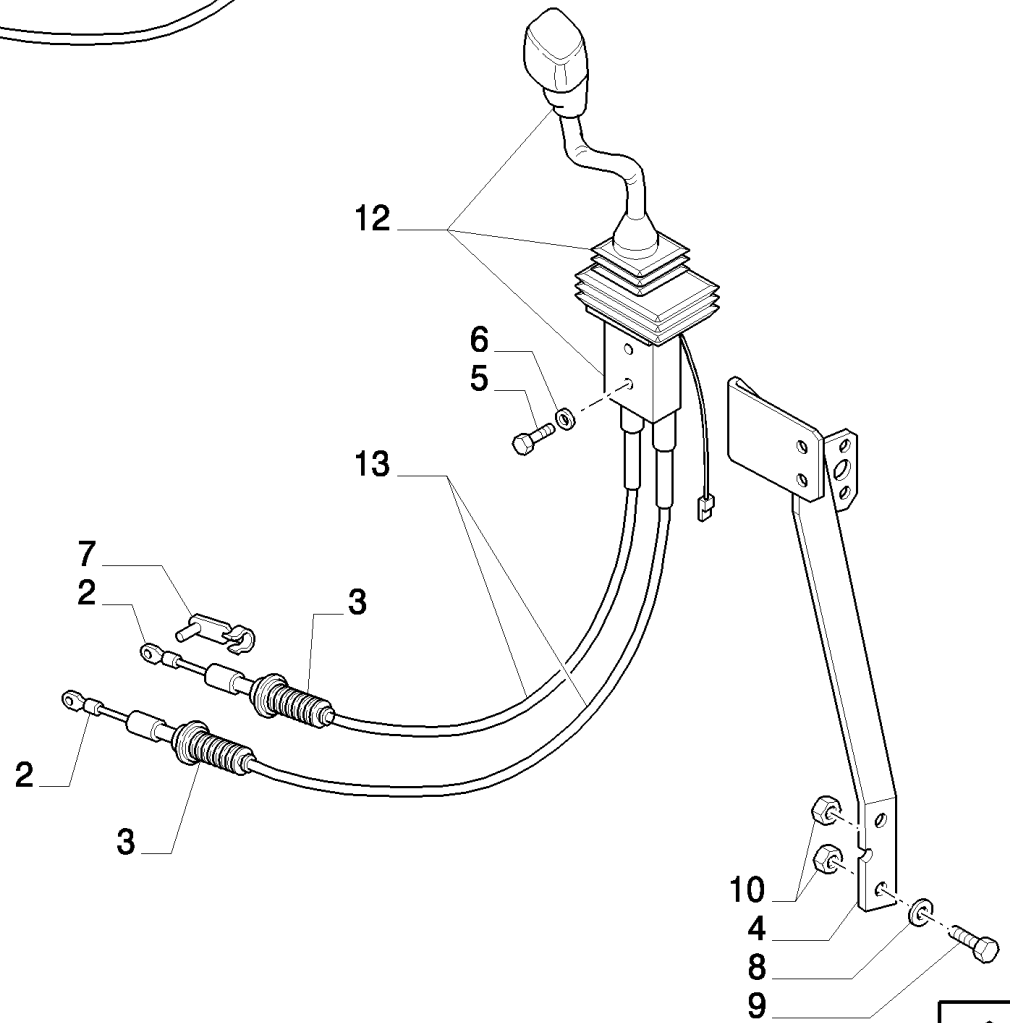
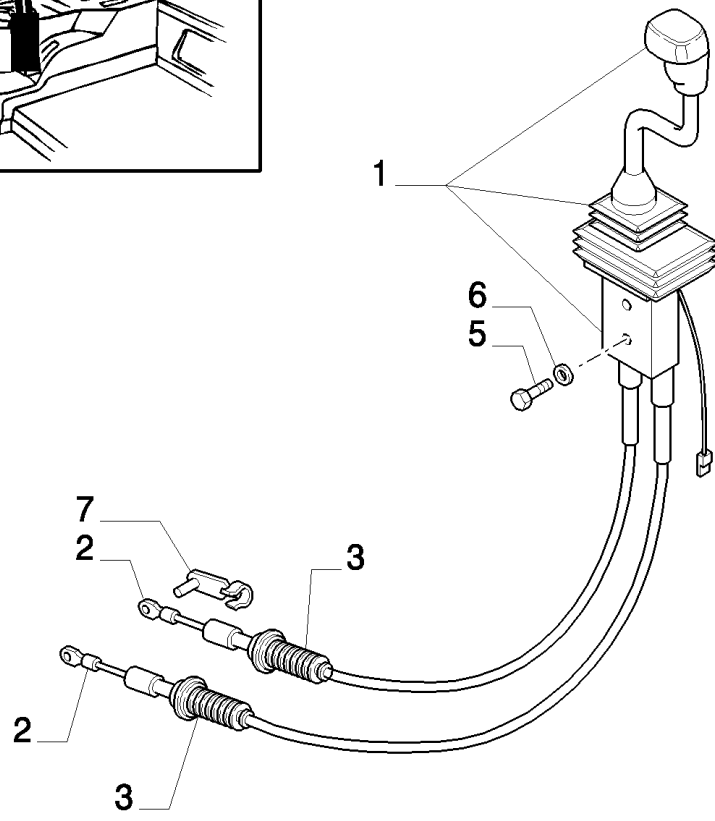
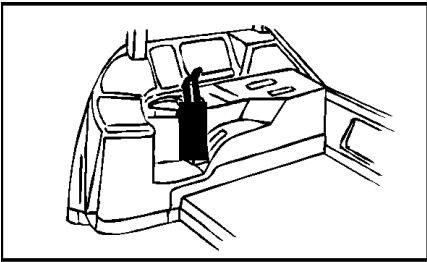


MXM155 CASE IH TRACTOR (6/02- )

1.96.2/04 (VAR.440/2) VALVE CONTROL UNIT WITH JOYSTICK FOR LOADER W/CAB SUSP.

сылка	Номер детали	Кол-во	Описание
1	82033837	1	JOYSTICK, Incl. 2, 3, ASN 200705
2	82019805	2	CLEVIS,
3	82006917	2	BOOT,
4	82022498	1	BRACKET,
5	16044321	2	BOLT, Hex, M8 x 55, 8.8,
6	14496504	2	WASHER, M8 x 17 x 1.6,
7	82022510	2	CLIP, SPRING,
8	86511315	4	WASHER, M8 x 16 x 1.6,
9	81872099	4	SCREW, HH, CL 8.8, M8 x 1.25 x 16
10	16100811	2	NUT, M8, CI 8,
11	82025300	1	DECAL, Joystick Control
12	82030545	1	JOYSTICK, Incl. 2, 3 with bent Joystick Lever, BSN 200704
13	82033062		AR CABLE,

D4787 Serial N.200705

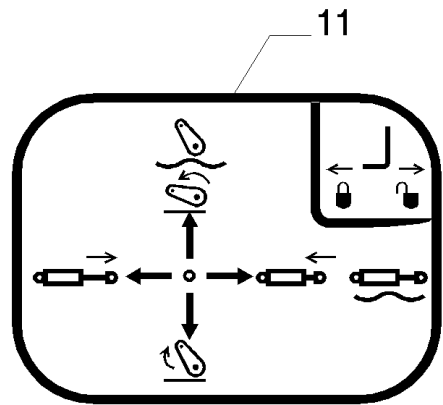
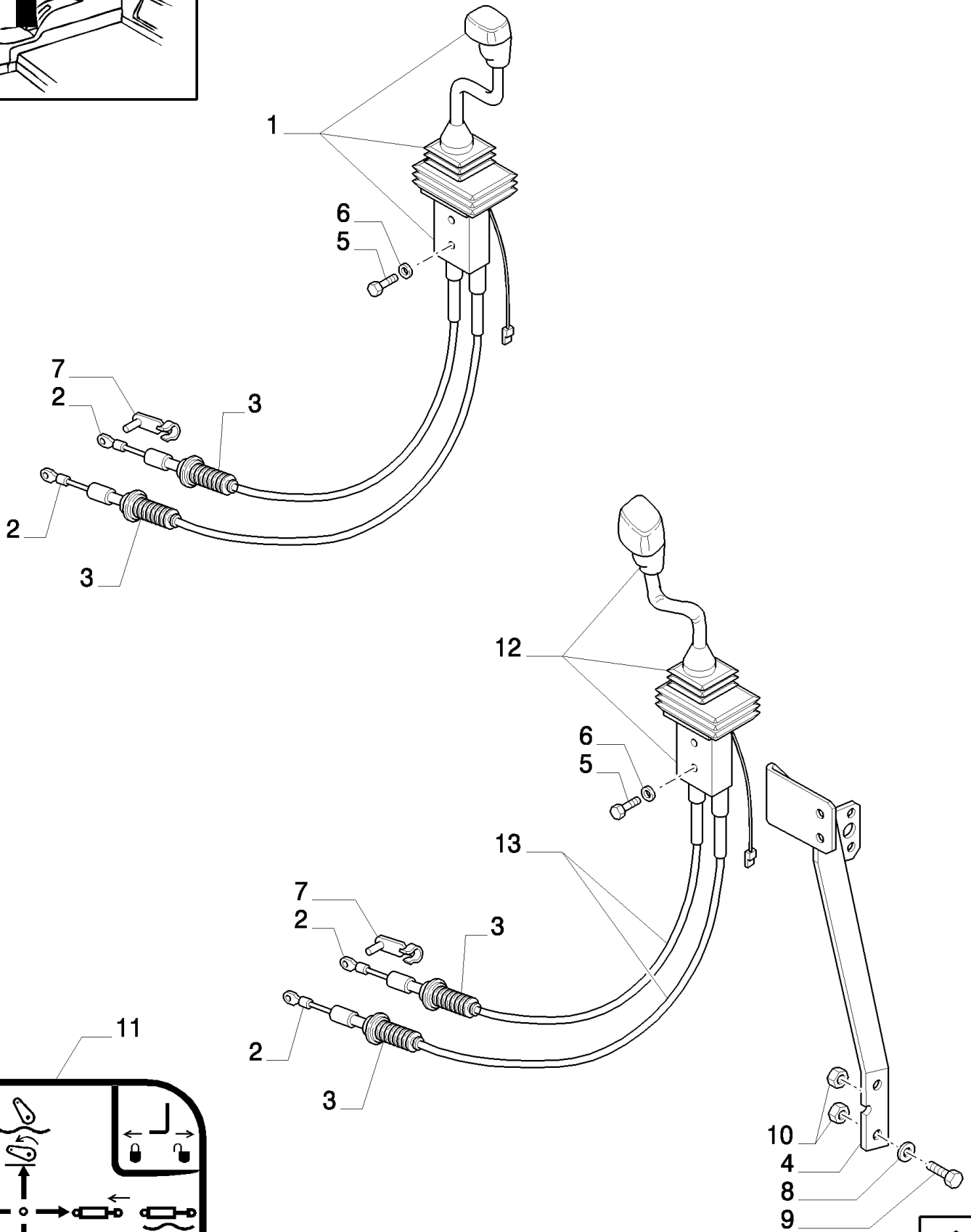
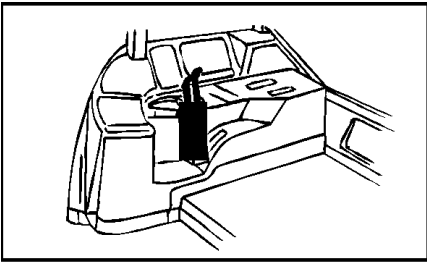


MXM155 CASE IH TRACTOR (6/02- )

1.96.2/05 (VAR.444) VALVE CONTROL UNIT WITH JOYSTICK FOR FRONT LIFT

сылка	Номер детали	Кол-во	Описание
1	82033837	1	JOYSTICK, Incl. 2, 3, ASN 200705
2	82019805	2	CLEVIS,
3	82006917	2	BOOT,
4	82022498	1	BRACKET,
5	16044321	2	BOLT, Hex, M8 x 55, 8.8,
6	14496504	2	WASHER, M8 x 17 x 1.6,
7	82022510	2	CLIP, SPRING,
8	86511315	4	WASHER, M8 x 16 x 1.6,
9	81872099	4	SCREW, HH, CL 8.8, M8 x 1.25 x 16
10	16100811	2	NUT, M8, CI 8,
11	82020577	1	DECAL,
12	82030545	1	JOYSTICK, Incl. 2, 3 with bent Joystick Lever, BSN 200704
13	82033062		AR CABLE,

D4787 Serial N.200705

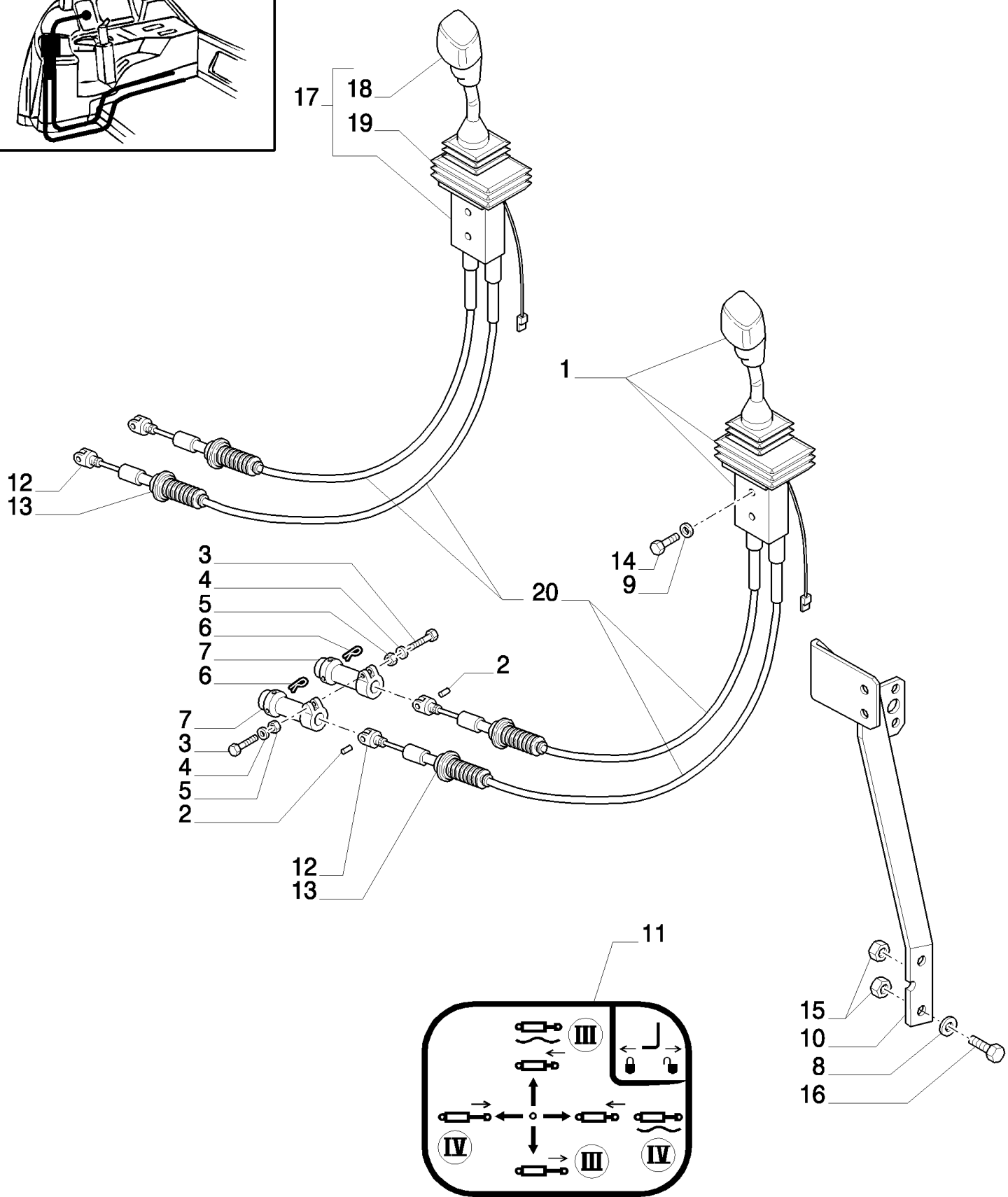
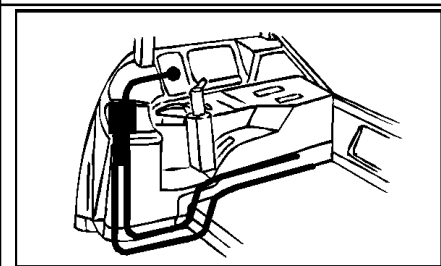


MXM155 CASE IH TRACTOR (6/02- )

1.96.2/07 (VAR.714/1) CONTROL VALVES WITH JOYSTICK FOR FRONT LIFT WITH CAB AND SUSPENSIONS

сылка	Номер детали	Кол-во	Описание
1	82033837	1	JOYSTICK, Incl. 2, 3, ASN 200705
2	82019805	2	CLEVIS,
3	82006917	2	BOOT,
4	82022498	1	BRACKET,
5	16044321	4	BOLT, Hex, M8 x 55, 8.8,
6	14496504	2	WASHER, M8 x 17 x 1.6,
7	82022510	2	CLIP, SPRING,
8	86511315	4	WASHER, M8 x 16 x 1.6,
9	81872099	4	SCREW, HH, CL 8.8, M8 x 1.25 x 16
10	16100811	2	NUT, M8, CI 8,
11	82020577	1	DECAL,
12	82030545	1	JOYSTICK, Incl. 2, 3 with bent Joystick Lever, BSN 200704
13	82033062		AR CABLE,

D4787 Serial N.200705

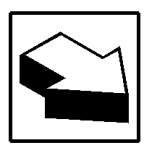
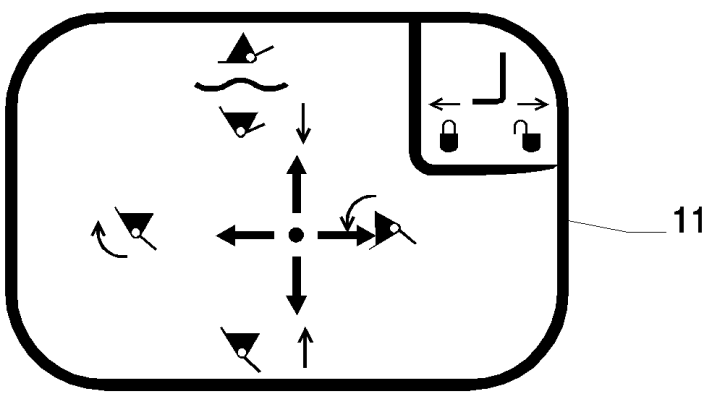
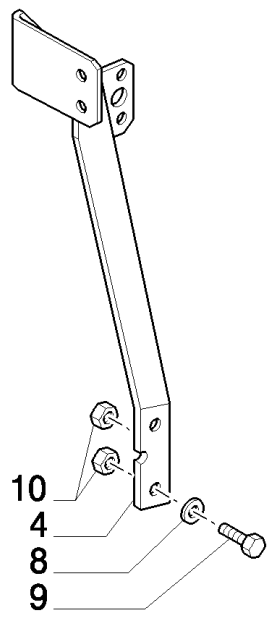
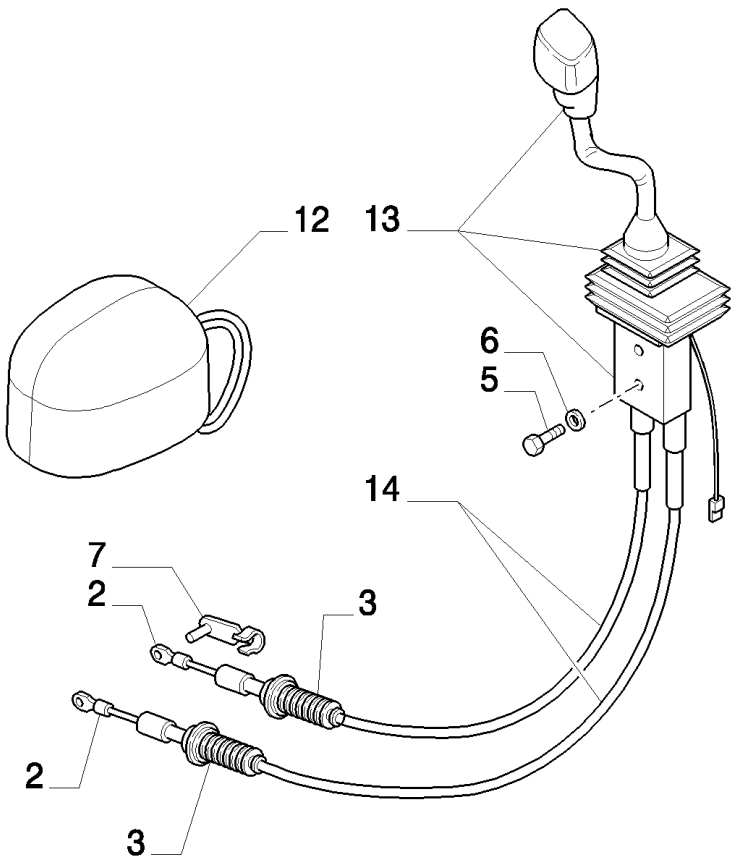
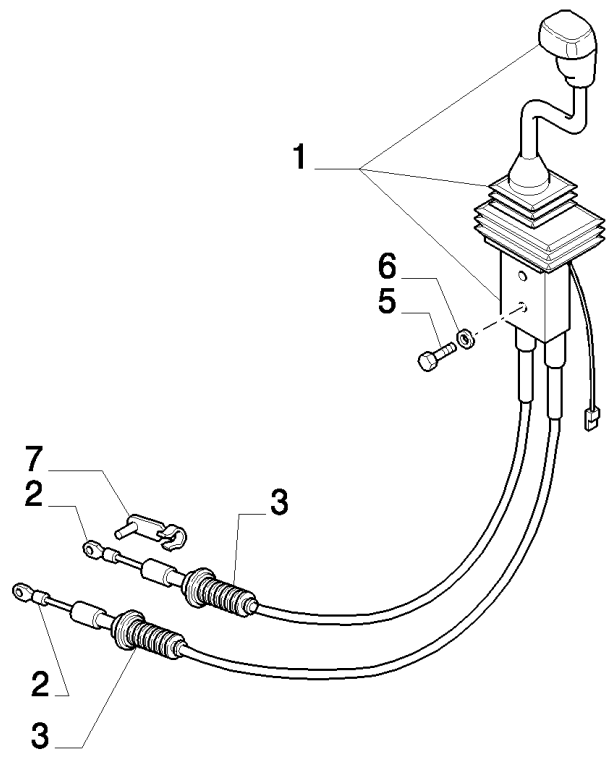
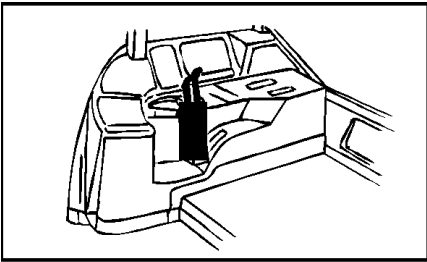


MXM155 CASE IH TRACTOR (6/02- )

1.96.2/08 (VAR.723) 4-CONTROL-VALVE BATTERY WITH JOYSTICK

сылка	Номер детали	Кол-во	Описание
1	82022514	1	CONTROL, Incl. 12, 13, BSN 200704
2	82001332	2	PIN,
3	81865692	2	SCREW, M6 x 30
3	10903034	2	SCREW,
4	10615479	2	WASHER, LOCK, Ext Tooth, M6, Serr,
5	15896221	2	NUT, M6, CI 10,
5	15896224	2	NUT,
6	82026318	2	PIN, SPLIT (COTTER),
7	87356033	2	SLEEVE,
8	86511315	4	WASHER, M8 x 16 x 1.6,
9	14496504	2	WASHER, M8 x 17 x 1.6,
10	82022498	1	BRACKET,
11	82020574	1	DECAL,
12	82019675	2	CLEVIS,
13	82006917	2	BOOT,
14	16044321	2	BOLT, Hex, M8 x 55, 8.8,
15	16100811	2	NUT, M8, CI 8,
16	81872099	4	SCREW, HH, CL 8.8, M8 x 1.25 x 16
17	82019722	1	JOYSTICK, Incl. 12, 13, 18, 19, ASN 200705
18	82020869	1	KNOB, , ASN 200705
19	82020870	1	BOOT, , ASN 200705
20	82020872	AR	CABLE,

D4787 Serial N.200705



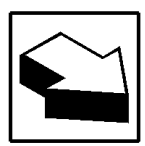
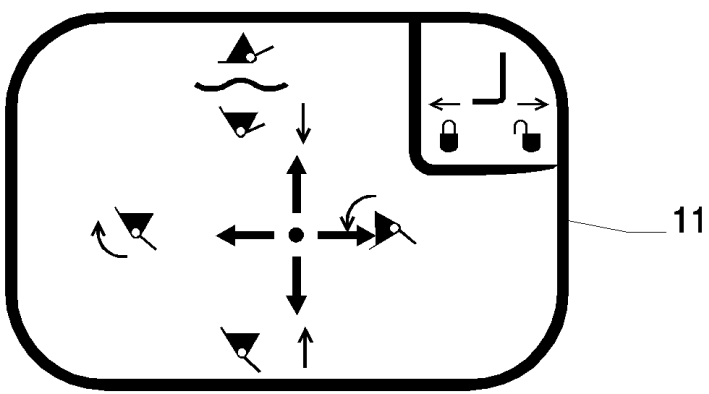
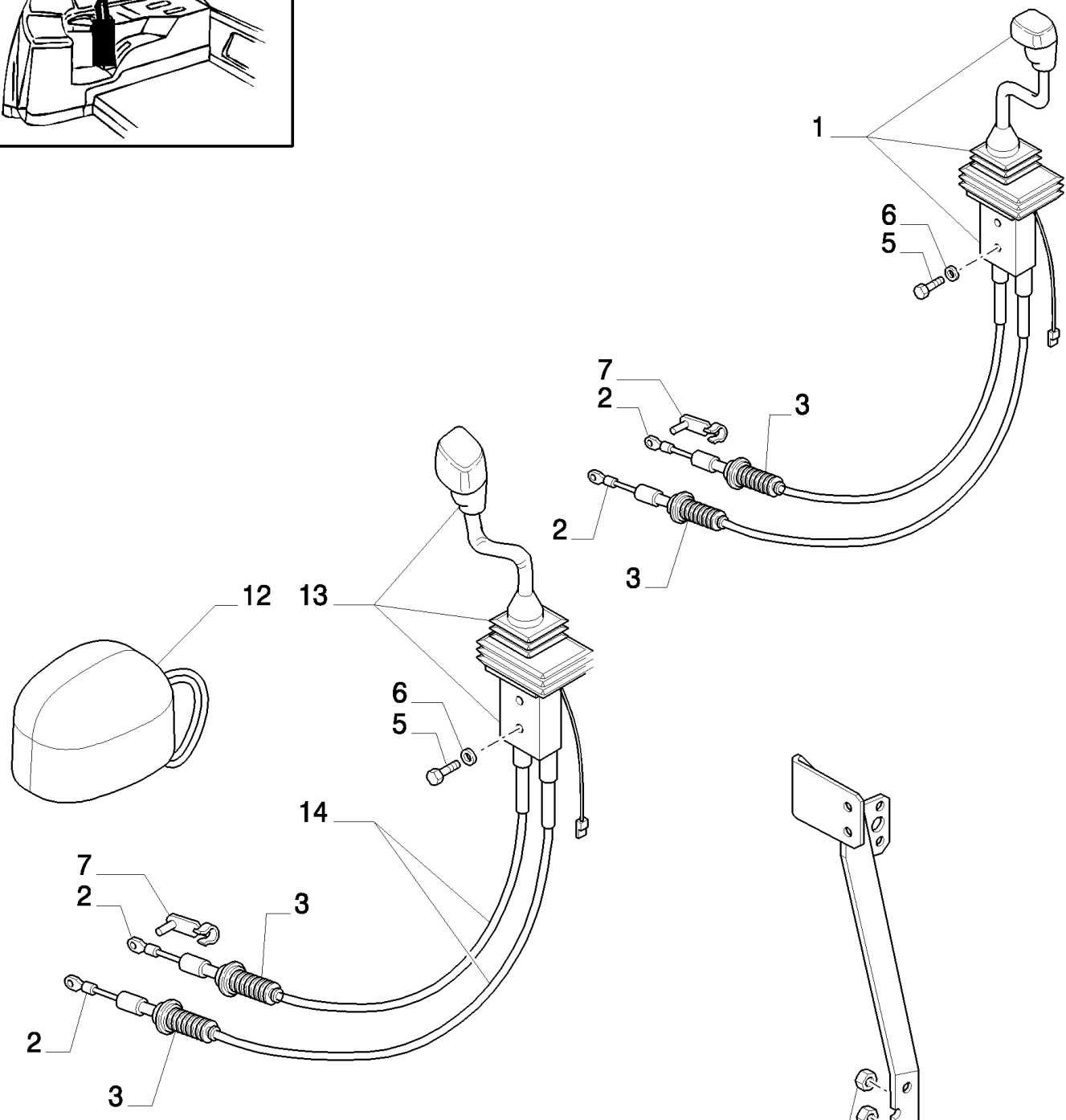
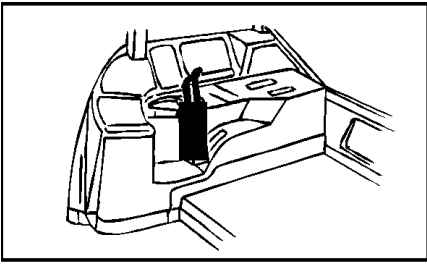


MXM155 CASE IH TRACTOR (6/02- )

1.96.2/09 (VAR.244) 3 CONTROL VALVES WITH JOYSTICK FOR LOADER FOR FRONT LIFT

сылка	Номер детали	Кол-во	Описание
1	82033837	1	JOYSTICK, Incl. 2, 3, ASN 200705
2	82019805	2	CLEVIS,
3	82006917	2	BOOT,
4	82022498	1	BRACKET,
5	16044321	2	BOLT, Hex, M8 x 55, 8.8,
6	14496504	2	WASHER, M8 x 17 x 1.6,
7	82022510	2	CLIP, SPRING,
8	86511315	4	WASHER, M8 x 16 x 1.6,
9	81872099	4	SCREW, HH, CL 8.8, M8 x 1.25 x 16
10	16100811	2	NUT, M8, CI 8,
11	82025300	1	DECAL, Joystick Control
12	82032501	1	KNOB, Grip Assy
13	82030545	1	JOYSTICK, Incl. 2, 3 with bent Joystick Lever, BSN 200704
14	82033062	AR	CABLE,

D4787 Serial N.200705

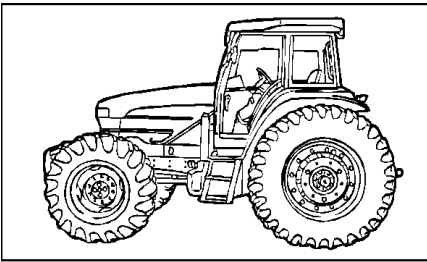


## MXM155 CASE IH TRACTOR (6/02- )

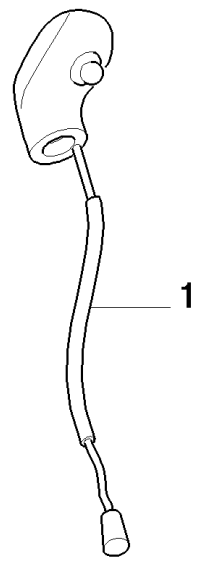
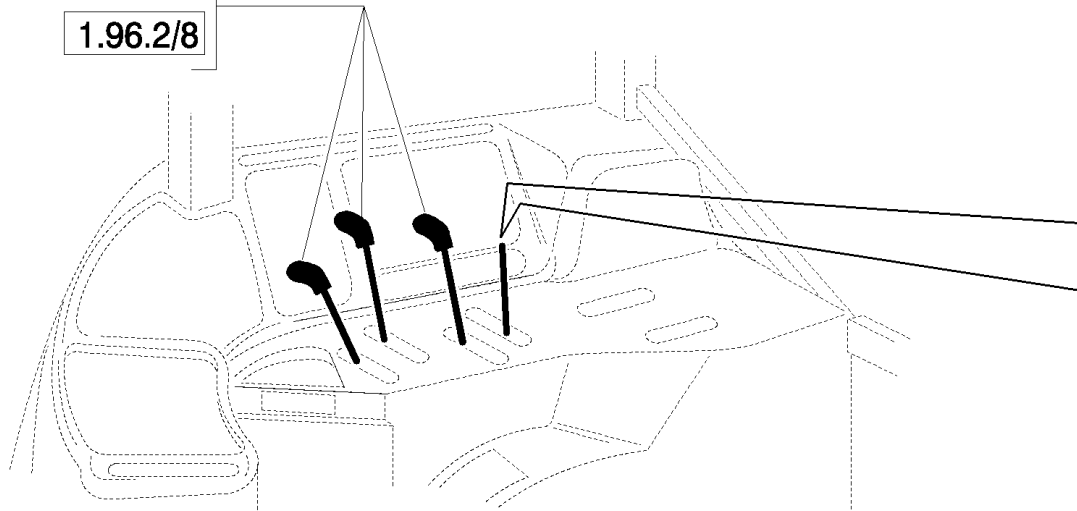
## 1.96.2/10 (VAR.245/1) 3 CONTROL VALVES WITH JOYSTICK WITH SPRUNG CAB

сылка	Номер детали	Кол-во	Описание
1	82033837	1	JOYSTICK, Incl. 2, 3, ASN 200705
2	82019805	2	CLEVIS,
3	82006917	2	BOOT,
4	82022498	1	BRACKET,
5	16044321	2	BOLT, Hex, M8 x 55, 8.8,
6	14496504	2	WASHER, M8 x 17 x 1.6,
7	82022510	2	CLIP, SPRING,
8	86511315	4	WASHER, M8 x 16 x 1.6,
9	81872099	4	SCREW, HH, CL 8.8, M8 x 1.25 x 16
10	16100811	2	NUT, M8, CI 8,
11	82025300	1	DECAL, Joystick Control
12	82032501	1	KNOB, Grip Assy
13	82030545	1	JOYSTICK, Incl. 2, 3 with bent Joystick Lever, BSN 200704
14	82033062	AR	CABLE,

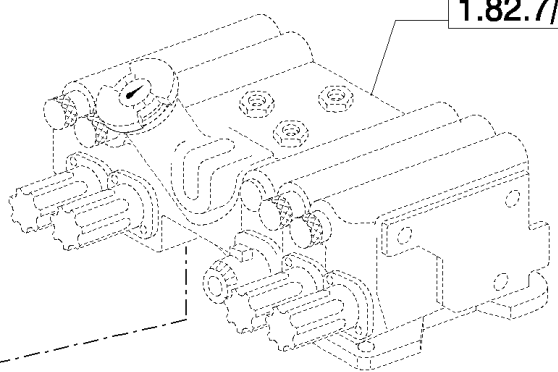
D4787 Serial N.200705



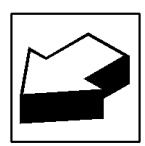
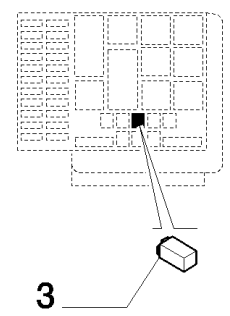
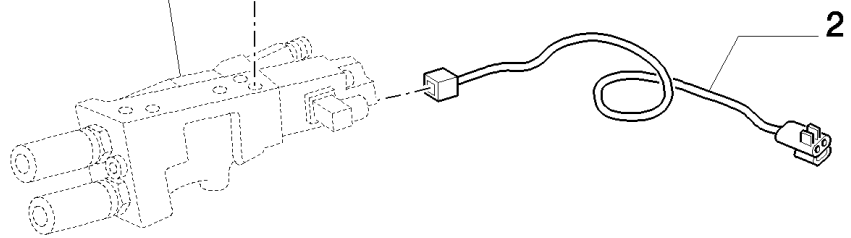
1.96.2/1  
1.96.2/8



1.82.7/13



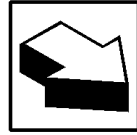
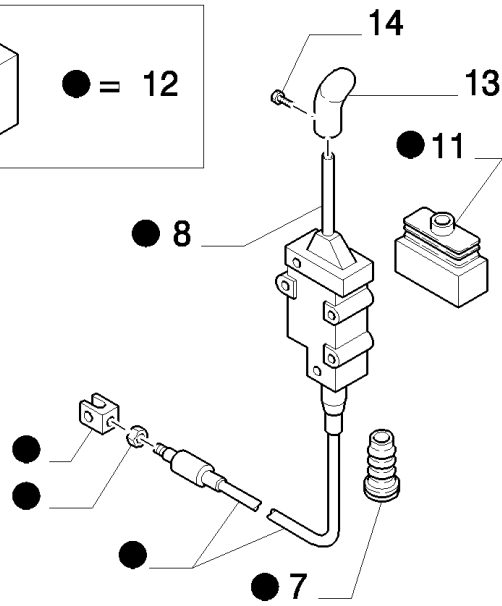
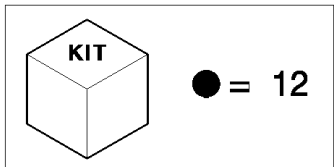
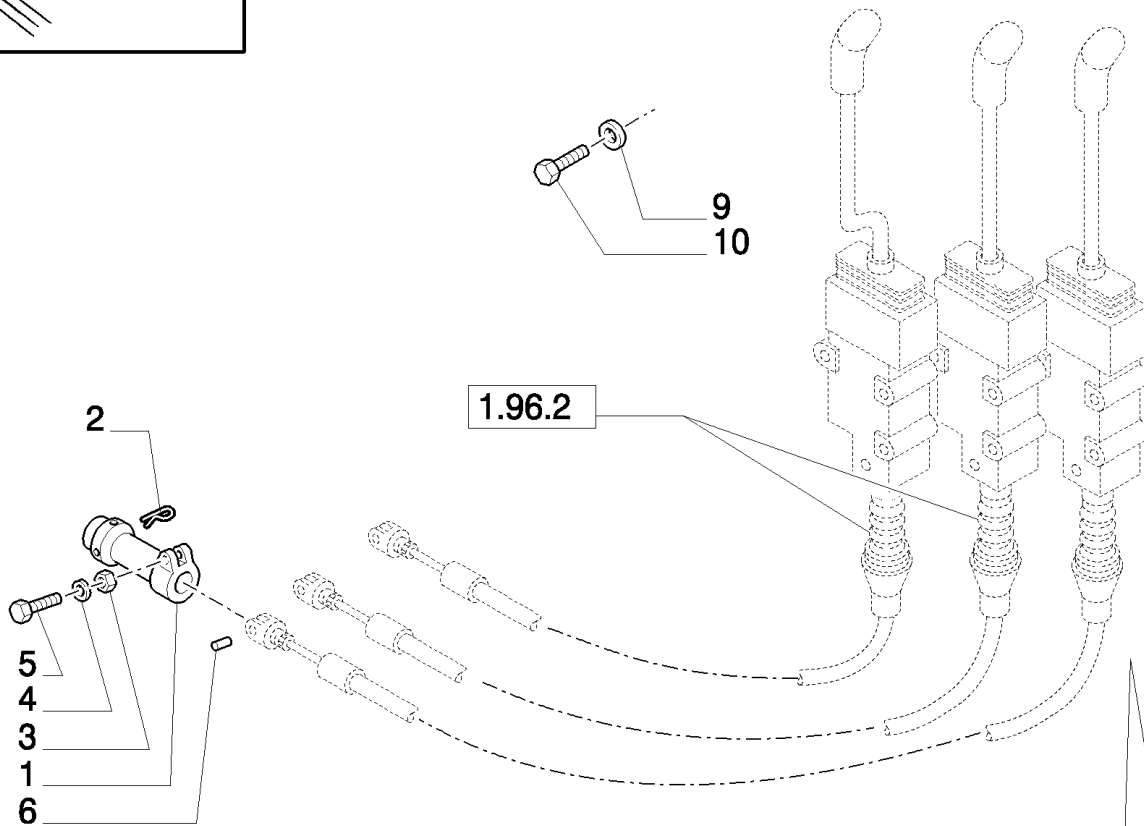
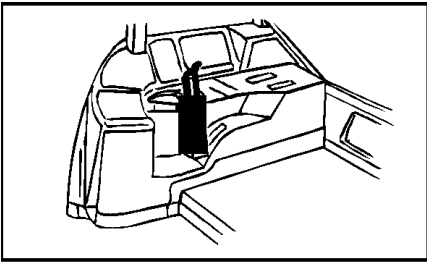
1.82.7/13



MXM155 CASE IH TRACTOR (6/02- )

1.96.2/11 (VAR.900) HYDR. ADJUSTMENT OF RIGHT TIE-ROD AND 3 POINT LINK FOR CLOSED CCLS CENTRE- KNOB W/SWITCH

сылка	Номер детали	Кол-во	Описание
1	82030064	1	BRACKET,
2	82002298	1	HARNESS, WIRE, Diverter Valve
3	83990084	1	RELAY, 40A

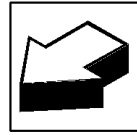
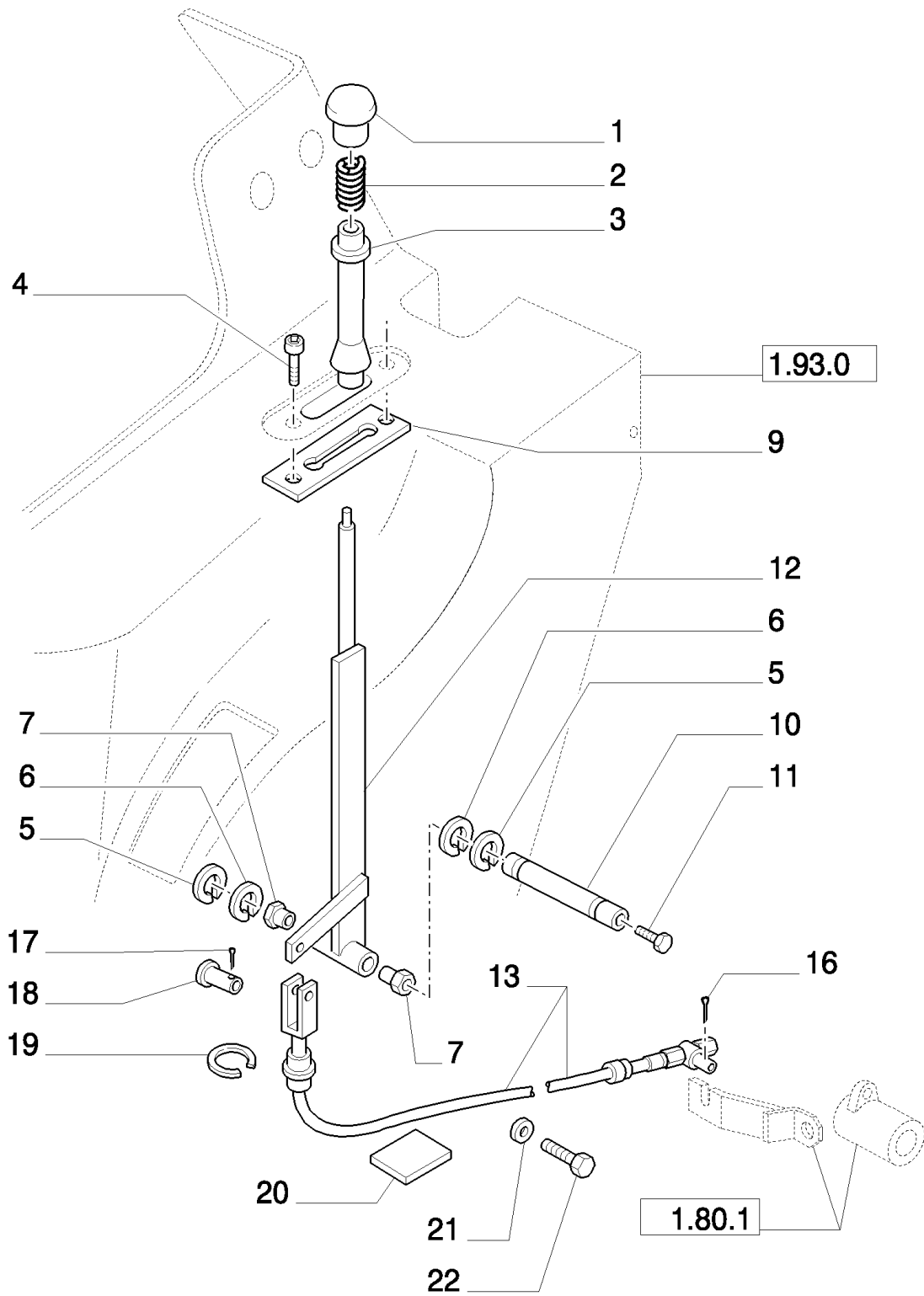
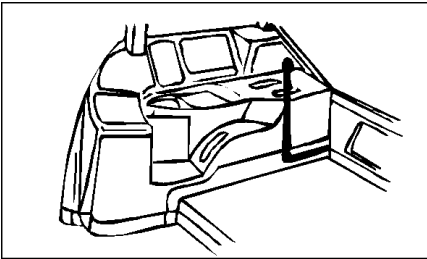


## MXM155 CASE IH TRACTOR (6/02- )

## 1.96.2/13 (VAR.170) 3-CONTROL VALVE UNIT - CONTROL VALVES

сылка	Номер детали	Кол-во	Описание
1	87356033	1	SLEEVE,
2	82026318	2	PIN, SPLIT (COTTER),
3	15896221	1	NUT, M6, CI 10,
3	15896224	1	NUT,
4	10615479	1	WASHER, LOCK, Ext Tooth, M6, Serr,
5	81865692	1	SCREW, M6 x 30
5	10903034	1	SCREW,
6	82001332	1	PIN, D=6
7	82006917	1	BOOT,
8	87335765	1	LEVER,
9	12647104	1	WASHER, M8 x 20 x 3,
10	16044331	2	BOLT, Hex, M8 x 55, 10.9,
11	87335764	1	BOOT,
12	87567706	1	CONTROL,
13	82026097	1	KNOB, 3rd. Control Valve
14	13309117	1	SCREW, Cross Oval Hd, M4 x 14,

1.96.3 P.T.O. CONTROL

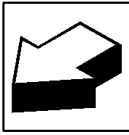
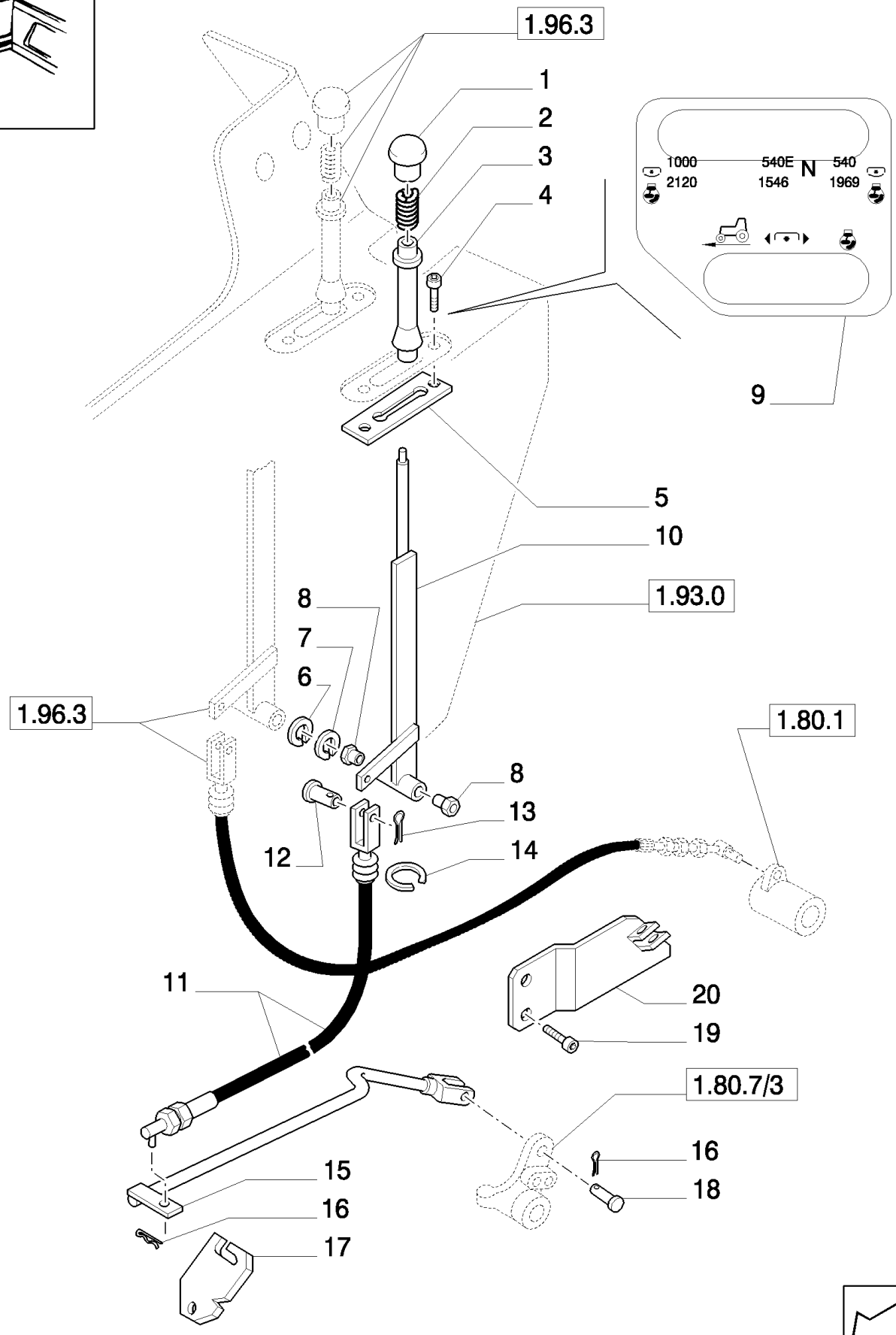
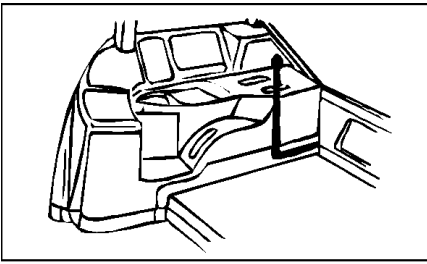




## MXM155 CASE IH TRACTOR (6/02- )

## 1.96.3 P.T.O. CONTROL

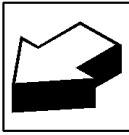
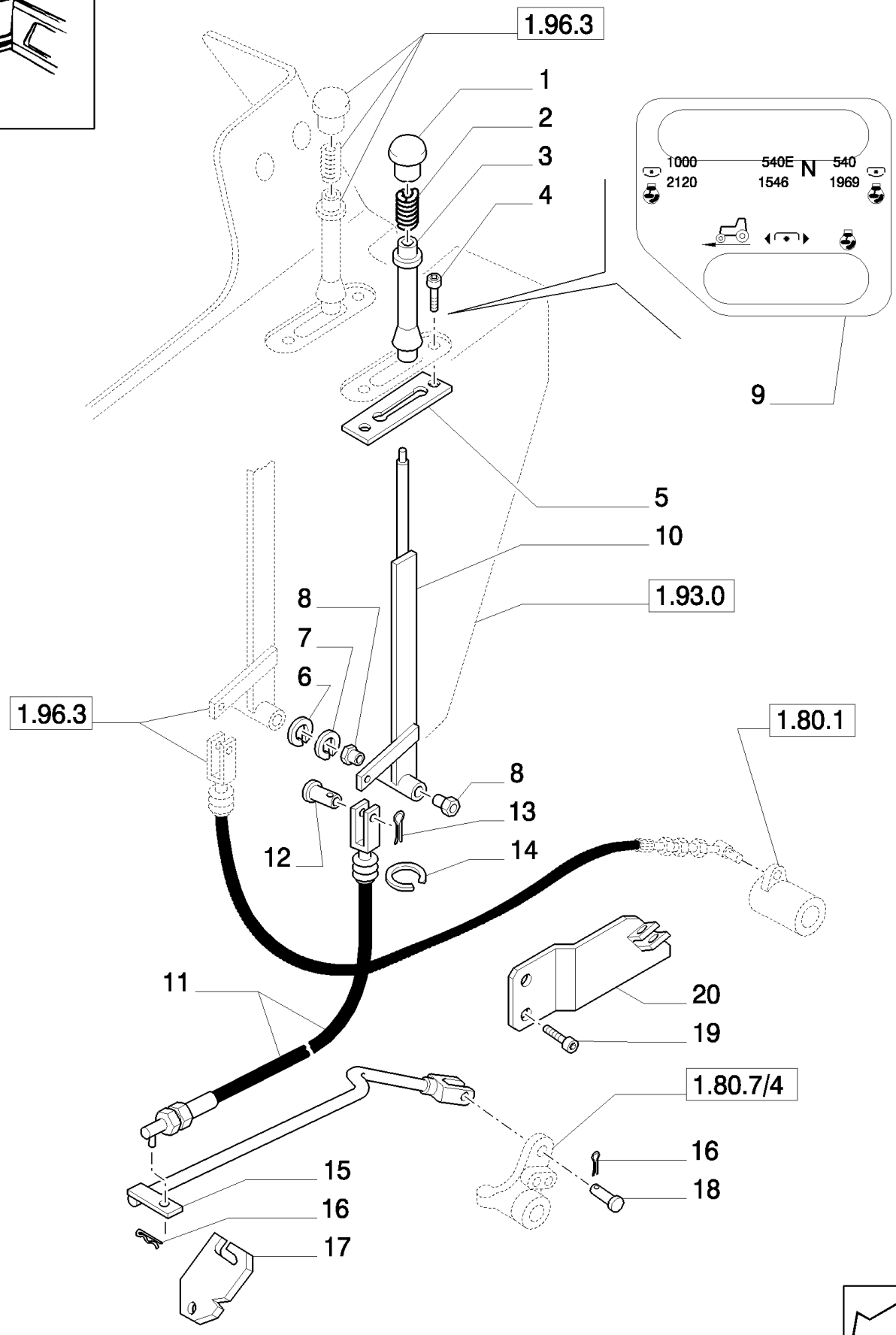
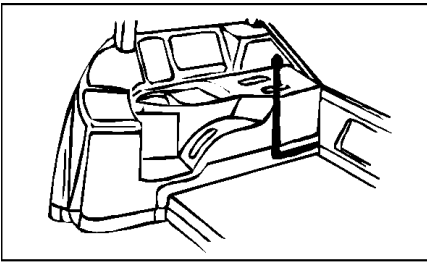
сылка	Номер детали	Кол-во	Описание
1	81862957	1	KNOB,
2	81862963	1	SPRING,
3	82010111	1	TUBE,
4	5122813	2	SCREW, M5 x 14
5	11088176	1	CIRCLIP, M11,
6	14496704	1	WASHER, 12 x 24 x 2.5 mm
7	82002289	2	BUSHING,
9	82010878	1	BRACKET, MXM175, MXM190
9	82012549	1	BRACKET, MXM120, MXM130, MXM140, MXM155
10	82002370	1	SHAFT,
11	10902024	1	BOLT, Hex, M6 x 12, 8.8, Full Thd,
12	82006560	1	LEVER,
13	82030043	1	CABLE, (14, 15)
16	83957394	2	PIN, SPLIT (COTTER),
17	10734301	1	PIN, SPLIT (COTTER), M2 x 18,
17	10766901	1	PIN, SPLIT (COTTER), M3.2 x 25,
18	83949897	1	PIN, CLEVIS, M8 x 14
19	81865873	1	CLIP,
20	82003103	1	STRIP-GASKET,
21	12574211	1	NUT, LOCK, M6 x 1, CI 8,
22	10903221	1	BOLT, Hex, M6 x 40, 8.8,



## MXM155 CASE IH TRACTOR (6/02- )

## 1.96.3/01 (VAR.815) SYNCHRO. POWER TAKE OFF FOR TERRALOCK - POWER TAKE OFF CONTROLS

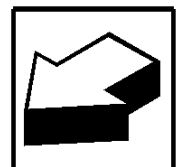
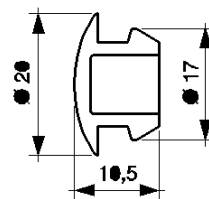
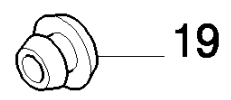
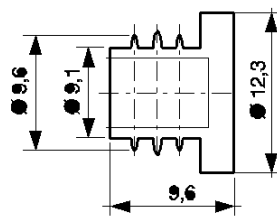
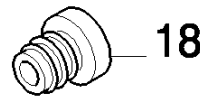
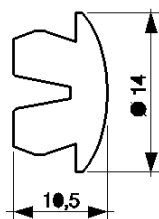
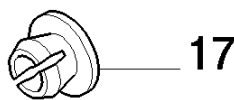
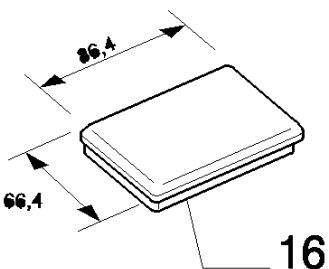
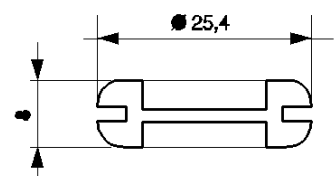
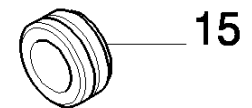
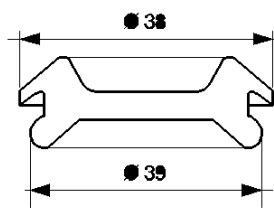
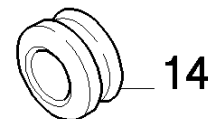
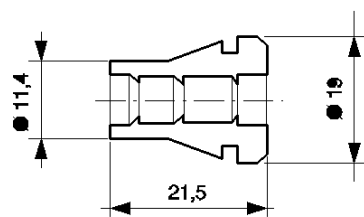
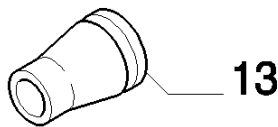
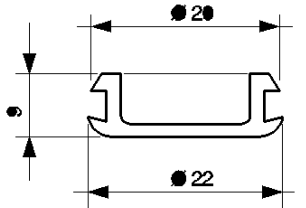
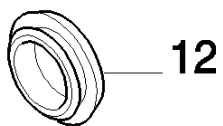
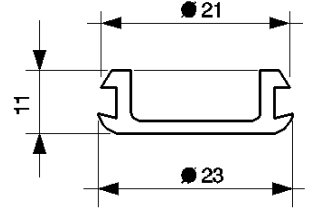
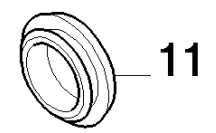
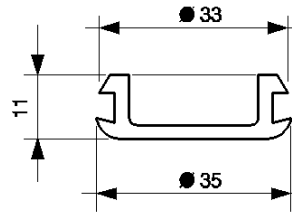
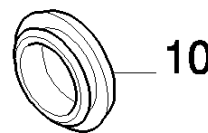
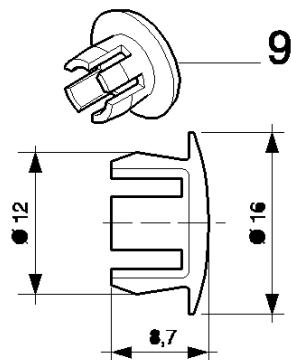
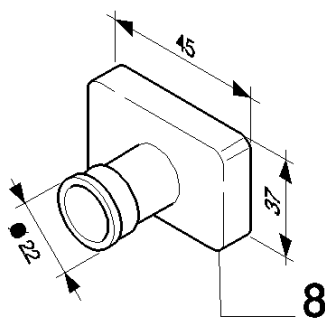
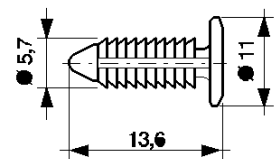
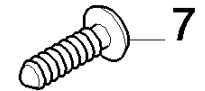
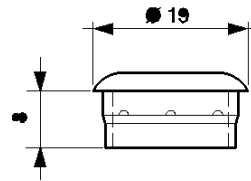
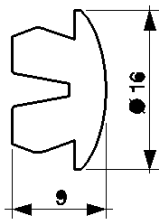
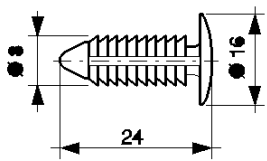
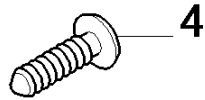
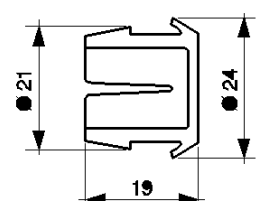
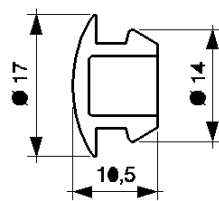
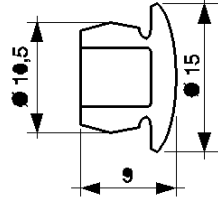
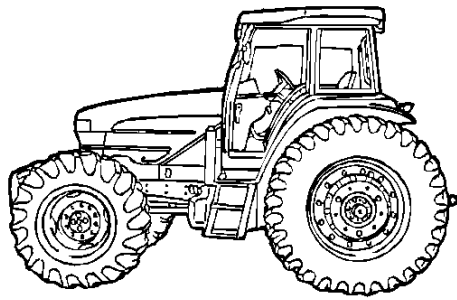
сылка	Номер детали	Кол-во	Описание
1	81862957	1	KNOB,
2	81862963	1	SPRING,
3	82010111	1	TUBE,
4	5122813	2	SCREW, M5 x 14
5	82006562	1	GUIDE,
6	11088176	1	CIRCLIP, M11,
7	14496704	1	WASHER, 12 x 24 x 2.5 mm
8	82002289	2	BUSHING,
9	82031696	1	DECAL,
10	82006560	1	LEVER,
11	82029323	1	CABLE,
12	83949897	1	PIN, CLEVIS, M8 x 14
13	10734301	1	PIN, SPLIT (COTTER), M2 x 18,
13	10766901	1	PIN, SPLIT (COTTER), M3.2 x 25,
14	81865873	1	CLIP,
15	82003975	1	TIE-ROD,
16	81865839	2	PIN,
17	82029318	1	BRACKET,
18	10033411	1	PIN, M10
19	14833324	2	BOLT, Hex, M10 x 1.25 x 20, Full Thd,
20	47129557	1	BRACKET,



## MXM155 CASE IH TRACTOR (6/02- )

## 1.96.3/02 (VAR.817) SYNCHRO. POWER TAKE OFF FOR FULL POWER SHIFT - POWER TAKE OFF CONTROLS

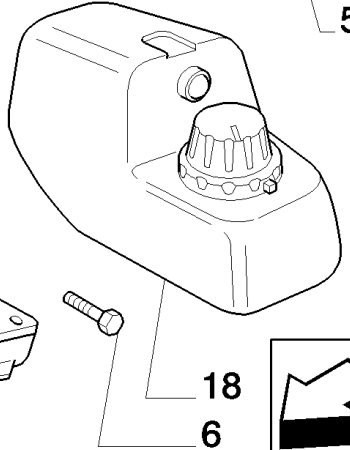
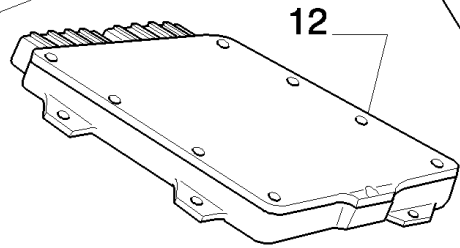
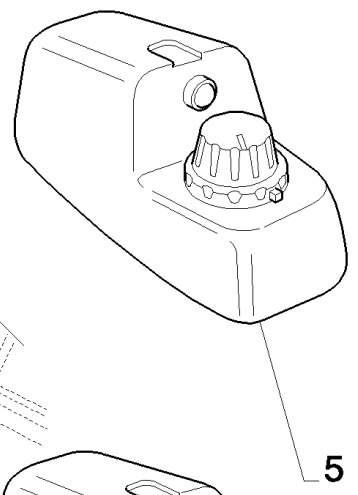
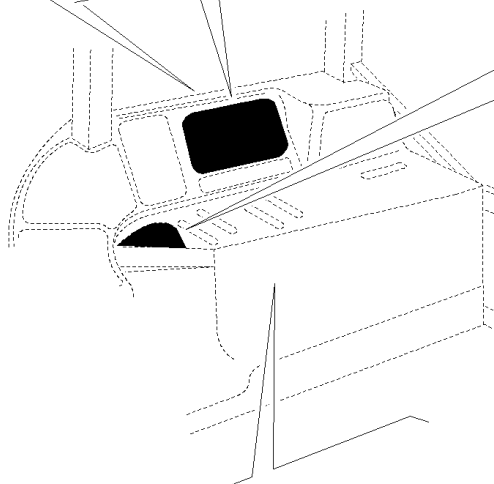
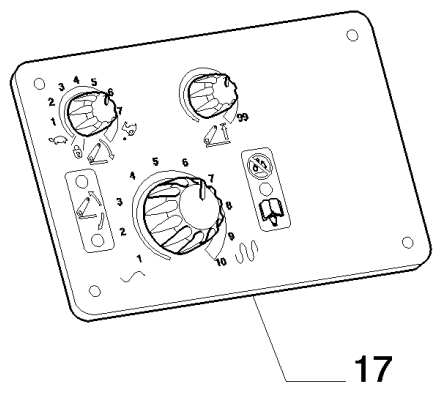
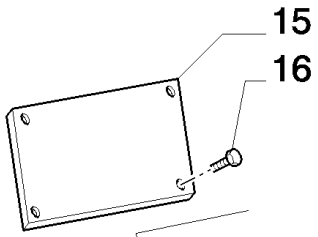
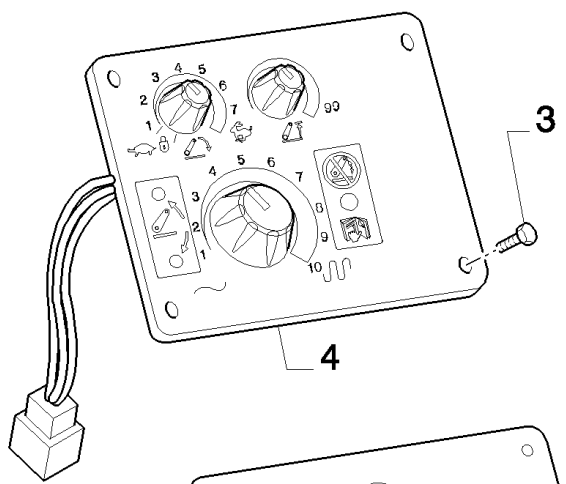
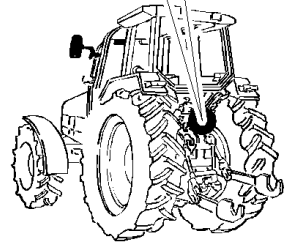
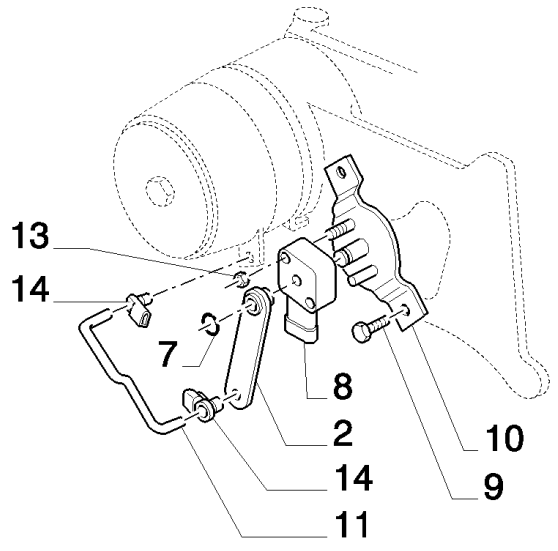
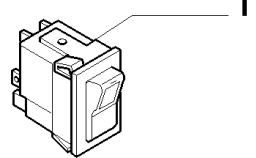
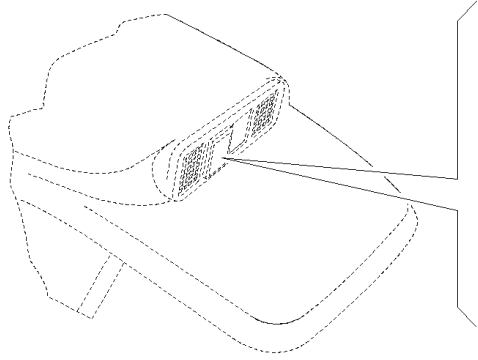
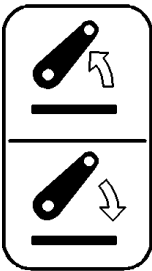
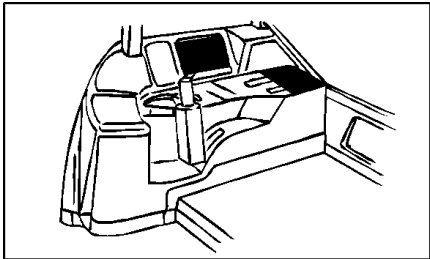
сылка	Номер детали	Кол-во	Описание
1	81862957	1	KNOB,
2	81862963	1	SPRING,
3	82010111	1	TUBE,
4	5122813	2	SCREW, M5 x 14
5	82006562	1	GUIDE,
6	11088176	1	CIRCLIP, M11,
7	14496704	1	WASHER, 12 x 24 x 2.5 mm
8	82002289	2	BUSHING,
9	82031696	1	DECAL,
10	82006560	1	LEVER,
11	82029323	1	CABLE,
12	83949897	1	PIN, CLEVIS, M8 x 14
13	10734301	1	PIN, SPLIT (COTTER), M2 x 18,
13	10766901	1	PIN, SPLIT (COTTER), M3.2 x 25,
14	81865873	1	CLIP,
15	82003975	1	TIE-ROD,
16	81865839	2	PIN,
17	82029318	1	BRACKET,
18	10033411	1	PIN, M10
19	14833324	2	BOLT, Hex, M10 x 1.25 x 20, Full Thd,
20	47129557	1	BRACKET,



MXM155 CASE IH TRACTOR (6/02- )

1.96.7(01) MISCELLANEOUS CAPS

сылка	Номер детали	Кол-во	Описание
1	82003283		AR PLUG, D=8.15
2	81865592		AR PLUG,
3	81865567		AR PLUG,
4	81870039		AR FASTENER, Push-in
5	82001272		AR PLUG,
6	81865863		AR PLUG,
7	83994150		AR PLUG, D=4.5
8	83995035		AR GROMMET,
9	81865132		AR PLUG,
10	82001909		AR GROMMET,
11	82001910		AR GROMMET,
12	82002491		AR PLUG,
13	82012309		AR GROMMET,
14	81862738		AR PLUG,
15	81819333		AR GROMMET,
16	82011934		AR PLUG,
17	83954770		AR PLUG,
18	83908579		AR GROMMET,
19	81864869		AR PLUG,



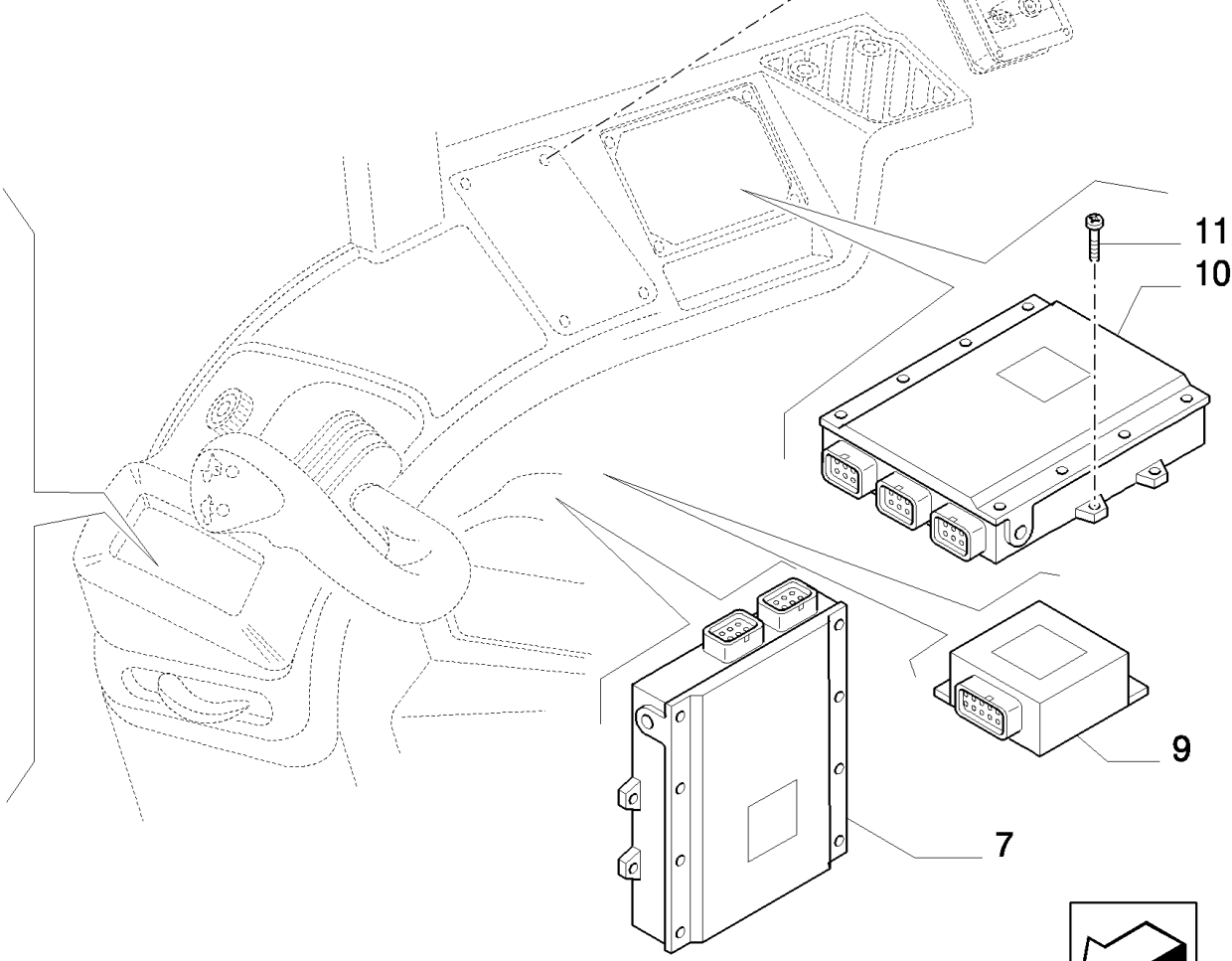
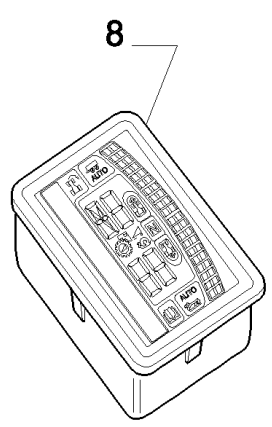
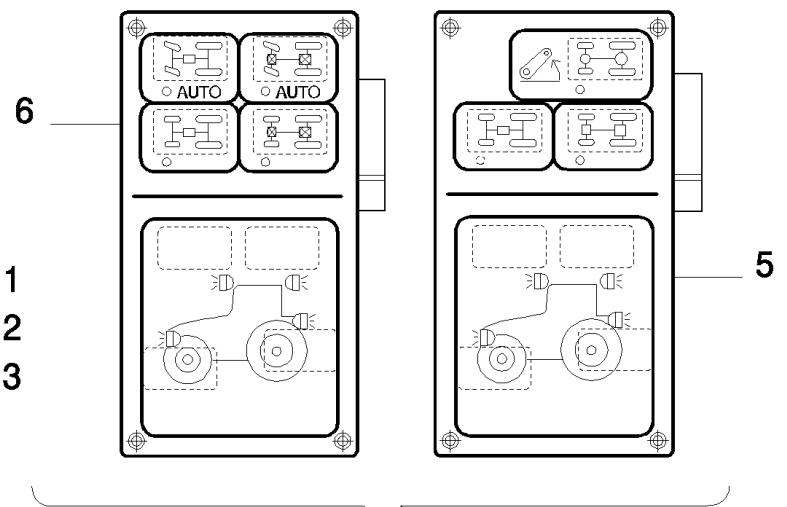
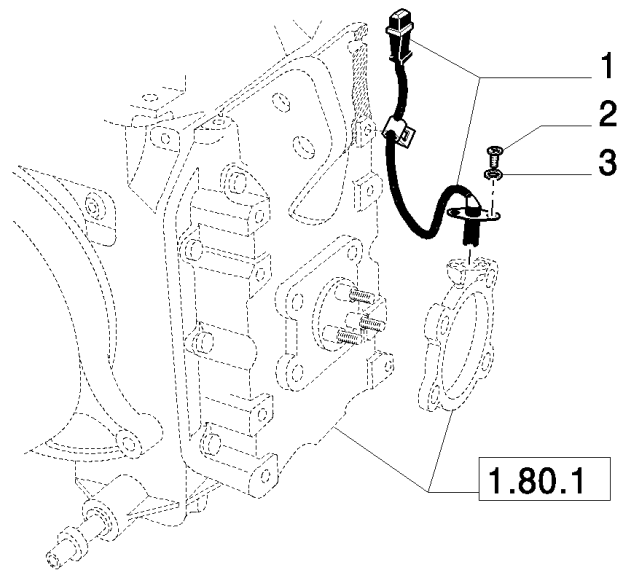
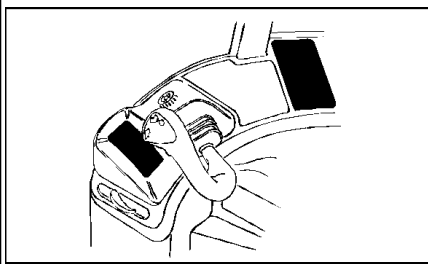


## MXM155 CASE IH TRACTOR (6/02- )

## 1.97.0(01) ELECTRONIC UNIT CONTROL

сылка	Номер детали	Кол-во	Описание
1	82032524	2	SWITCH, External EDC, -C5064
1	87452577	2	SWITCH, Remote Hitch, UP/Down, D5064-
2	81864634	2	LEVER,
3	15691301	4	SCREW, SELF TAP, Cross Oval Hd, M4.2 x 13,
4	82026306	1	PANEL, , -C5321
5	82026135	1	ELECTRONIC UNIT, CONTROL, EDC, -C5321
6	82016959	4	SCREW, M3.5 x 12
7	83981963	1	WASHER, THRUST, M8,
8	87543715	1	POTENTIOMETER, Rotary Position Sensor
9	16043124	2	BOLT, Hex, M8 x 14, 8.8, Full Thd,
10	87570983	1	BRACKET,
11	82014120	1	ROD,
12	82033611	1	ELECTRONIC UNIT, CONTROL, EDC and Suspended Front Axle
13	12574111	1	NUT, LOCK, M5 x .8, CI 8,
14	89821714	2	CLIP,
16	15691301	4	SCREW, SELF TAP, Cross Oval Hd, M4.2 x 13, , W/Mec. Trans. 20 x 16, W/Mec. Trans. 20 x 16
15	81869733	1	PANEL, MXM120, MXM130, MXM140
17	87397178	1	PANEL, EDC L/Slip L/Diverter Valve, D5321-C5425
17	87530852	1	PANEL, EDC L/Slip L/Diverter Valve, D5425-
18	87397173	1	ELECTRONIC UNIT, CONTROL, , D5321-

D5064 After Date 07/09/04 D5321 After Date 17 January 2006 D5425 After Date 11 May 2006



## MXM155 CASE IH TRACTOR (6/02- )

## 1.97.1(01) ELECTRONIC CONTROL UNIT - TRANSMISSION CONTROL MODULE - C5345

сылка	Номер детали	Кол-во	Описание
1	5150991	1	SENSOR, PTO Speed, -C5000
1	82036589	1	SENSOR, PTO Speed, D5000-
2	10977524	2	BOLT, Hex, M5 x 10, 8.8, Full Thd,
3	10571474	2	WASHER, LOCK,
4	15691301	4	SCREW, SELF TAP, Cross Oval Hd, M4.2 x 13,
5	82029205	1	PANEL, Worklamps, 2WD, Electronic Management Unit, Touch Panel for Worklamps (W/CAB), -C5065
5	87307888	1	ELECTRONIC UNIT, CONTROL, Worklamps (W/Cab), 2WD, Electronic Management Unit, Touch Panel for Worklamps (W/CAB), D5065-ACM268730
5	87374230	1	ELECTRONIC UNIT, CONTROL, Worklamps, 2WD, Electronic Management Unit, Touch Panel for Worklamps (W/CAB), ASN ACM268731
6	82029206	1	ELECTRONIC UNIT, CONTROL, 4WD, Electronic Management Unit L/Super Steer, -C5065
6	87307889	1	ELECTRONIC UNIT, CONTROL, 4WD, Electronic Management Unit L/Super Steer, D5065-ACM268730
6	87374231	1	ELECTRONIC UNIT, CONTROL, 4WD, Electronic Management Unit L/Super Steer, ASN ACM268731
7	47130673	1	ELECTRONIC UNIT, CONTROL, , Controller Full Power Shift II (40 KPH) W/Full Power Shift 18 x 6 (30 KPH 4WD)
7	47130663	1	ELECTRONIC UNIT, CONTROL, , Controller Full Power Shift II (30 KPH) W/HI-LO Trans. 24 x 12 (40 KPH) Equip. 272, EDC
7	47130683	1	ELECTRONIC UNIT, CONTROL, MXM175, MXM190, Controller Full Power Shift II (50 KPH) W/Full Power Shift 19 x 6 (50 KPH) Equip. 147/1, Transmission Module
7	47133123	1	ELECTRONIC UNIT, CONTROL, MXM175, MXM190, Controller Full Power Shift II (30 KPH) (Japan)
7	87373974	1	ELECTRONIC UNIT, CONTROL, MXM175, MXM190, Controller Full Power Shift II (40 KPH) Economy W/Full Power Shift 19 x 6 (40 KPH 4WD)
8	82013047	1	DISPLAY, 2WD, MXM120, MXM130, MXM140, MXM155, Display of Gears, BSN ACM265008
8	82013048	1	DISPLAY, 4WD, MXM120, MXM130, MXM140, MXM155, Display of Gears, BSN ACM265008
8	87313811	1	DISPLAY, MXM120, MXM130, MXM140, MXM155, Display of Gears, ASN ACM265009
8	47130171	1	DISPLAY, MXM175, MXM190, DISPLAY OF GEARS - ADVANCED, Display of Gears, Advanced, W/SEMI POWER SHIFT 17 x 6 (30 KPH 4WD) Equip. 147 and Full Power Shift Trans. 18 x 6 (40 KPH 4WD) and 17 x 6 (30 KPH) Equip. 281 is used for MXM120, MXM130, MXM140, MXM155
8	87569994	1	ELECTRONIC UNIT, CONTROL, MXM120, MXM130, MXM140, MXM155, Display of Gears L/HTS, Advanced, W/Semi Power Shift 17 x 6 (30 KPH 4WD) Equip. 147 and Full Power Shift Trans. 18 x 6 (40 KPH 4WD) and 17 x 6 (30KPH) Equip. 281 is used for MXM120, MXM130, MXM140, MXM155, ASN ACM261856
9	82033641	1	MODULE, MXM120, MXM130, MXM140, MXM155, Small Control Module for Visctronic Fan
10	82033580	1	MODULE, 2WD, MXM120, MXM130, MXM140, MXM155, General Control Unit W/Semi Power Shift 17 x 6 (30 KPH), BSN ACM265008
10	87356940	1	MODULE, 2WD, MXM120, MXM130, MXM140, MXM155, XCM - W/Semi Power Shift (30 KPH), EDC, FSA, PTO and Visctronic Fan, ASN ACM265009
10	82033630	1	MODULE, 4WD, MXM120, MXM130, MXM140, MXM155, General Control Unit W/Semi Power Shift 18 x 6 (40 KPH), BSN ACM265008
10	87356939	1	MODULE, 4WD, MXM120, MXM130, MXM140, MXM155, XCM - W/Semi Power Shift (40 KPH), EDC, FSA, PTO and Visctronic Fan, ASN ACM265009
10	87304731	1	MODULE, MXM175, MXM190, Central Control Module (XCM1.5) for Engine, Suspension and Visctronic Fan
10	87384495	1	MODULE, MXM120, MXM130, MXM140

D5000 After Date 04/August/04 D5065 After Date 16/September/04 D5108 Serial N.ACM261856 D5247 Serial N.ACM268731 D5281 Serial N.ACM265009 C5345 Before Date 28 March 2006

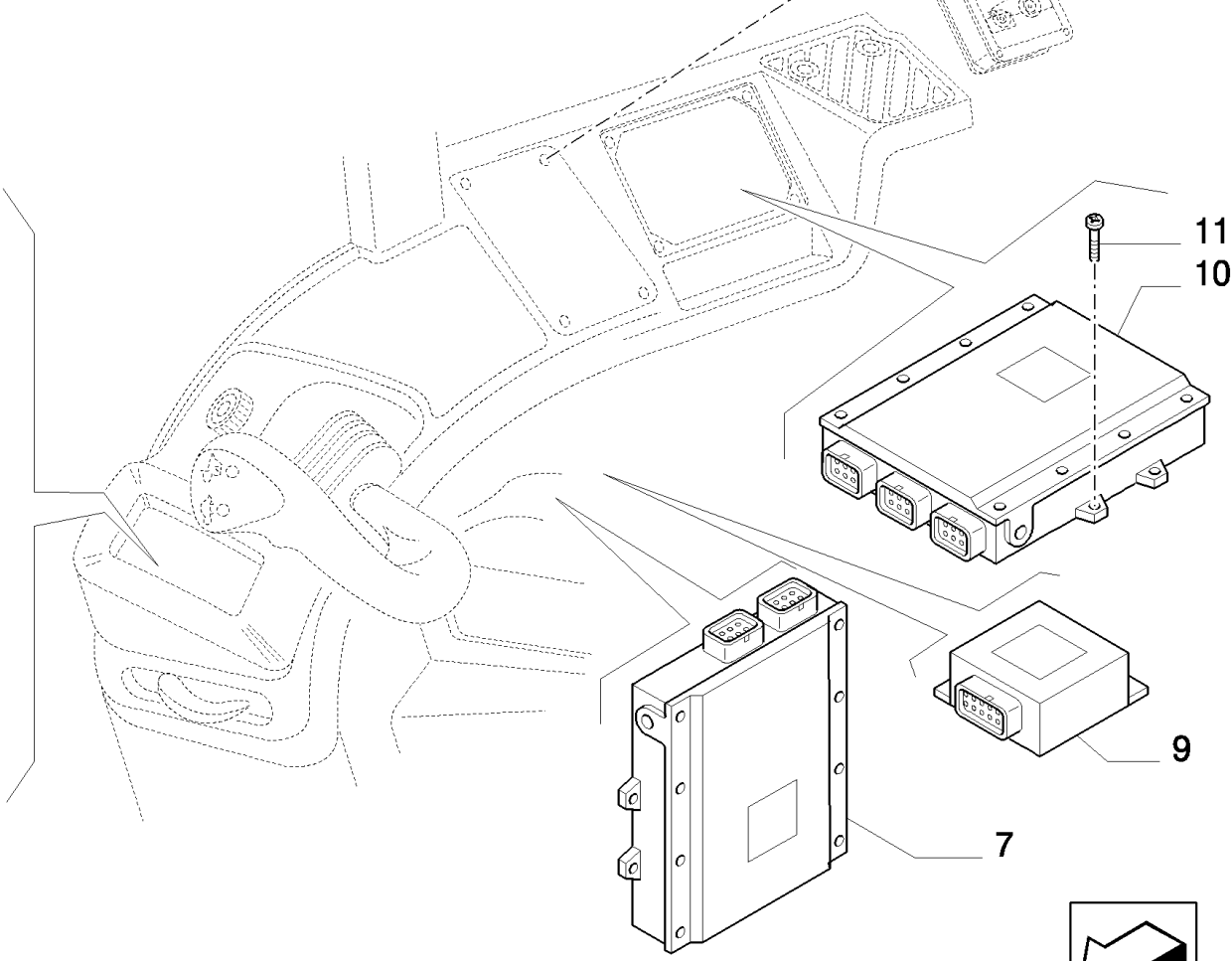
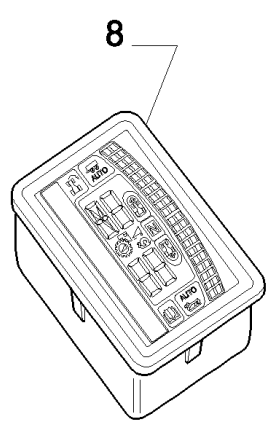
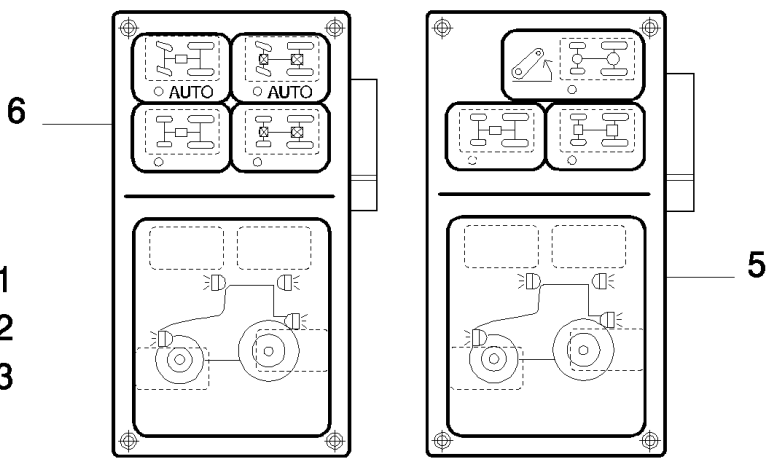
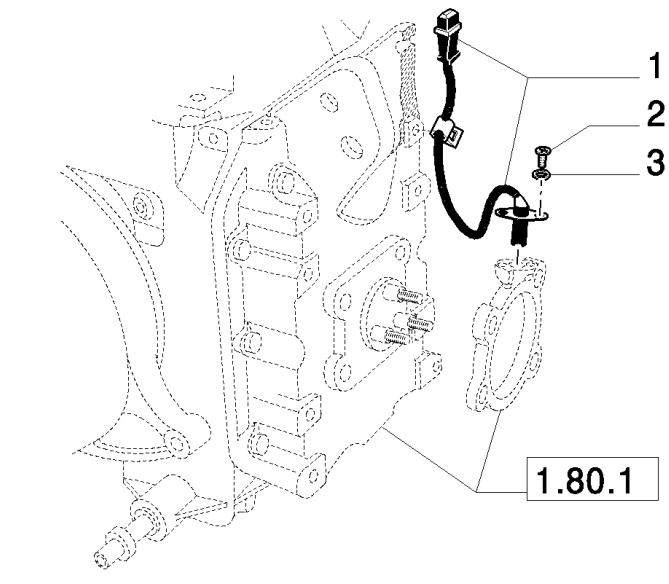
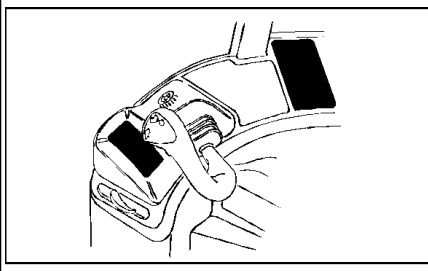
MXM155 CASE IH TRACTOR (6/02- )

1.97.1(01) ELECTRONIC CONTROL UNIT - TRANSMISSION CONTROL MODULE - C5345

сылка	Номер детали	Кол-во	Описание
-------	--------------	--------	----------

11	15643904	3	SCREW, SELF TAP, Cross Pan Hd, M4.2 x 9.5,
----	----------	---	--

D5000 After Date 04/August/04 D5065 After Date 16/September/04 D5108 Serial N.ACM261856 D5247 Serial N.ACM268731 D5281  
Serial N.ACM265009 C5345 Before Date 28 March 2006

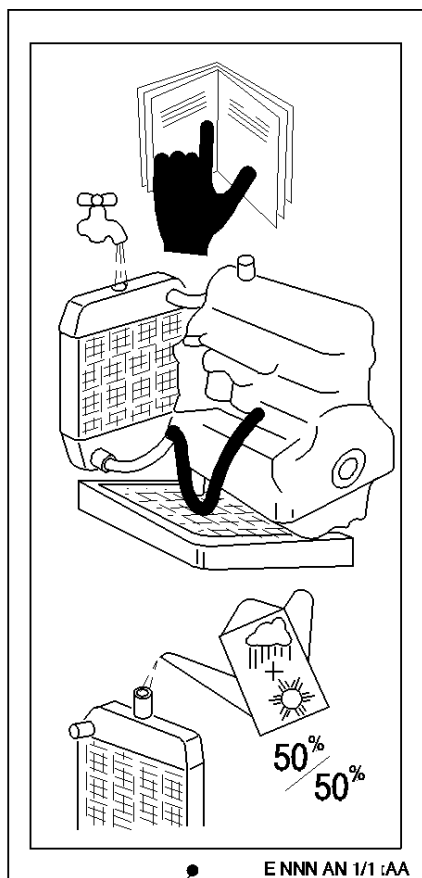


## MXM155 CASE IH TRACTOR (6/02- )

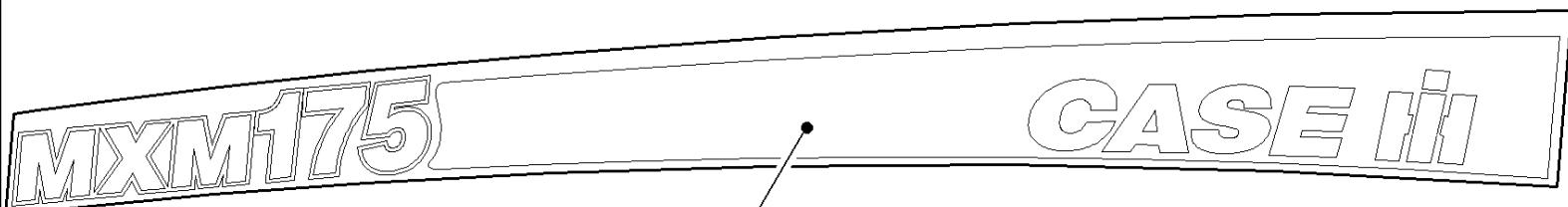
## 1.97.1(02) ELECTRONIC CONTROL UNIT - TRANSMISSION CONTROL MODULE - D5345

сылка	Номер детали	Кол-во	Описание
1	82036589	1	SENSOR,
2	10977524	2	BOLT, Hex, M5 x 10, 8.8, Full Thd,
3	10571474	2	WASHER, LOCK,
4	15691301	4	SCREW, SELF TAP, Cross Oval Hd, M4.2 x 13,
5	87374230	1	ELECTRONIC UNIT, CONTROL, Worklamps, 2WD, Electronic Management Unit, Touch Panel for Worklamps (W/CAB)
6	87374231	1	ELECTRONIC UNIT, CONTROL, 4WD, Electronic Management Unit L/Super Steer
7	47130674	1	ELECTRONIC UNIT, CONTROL, MXM120, MXM130, MXM140, MXM155, Controller Full Power Shift 18 x 6 (40 KPH) Equip. 281, Electronic Module
7	47130664	1	ELECTRONIC UNIT, CONTROL, , Controller Full Power Shift 17 x 6 (30 KPH) Equip. 281, Electronic Module
7	47130684	1	ELECTRONIC UNIT, CONTROL, MXM175, MXM190, Controller Full Power Shift 19 x 6 (50 KPH) Equip. 147, Electronic Module
7	47133124	1	ELECTRONIC UNIT, CONTROL, MXM175, MXM190, Controller Full Power Shift (30 KPH), Japan only Electronic Module, Equip. 570
7	87528659	1	ELECTRONIC UNIT, CONTROL, MXM175, MXM190, Controller Full Power Shift (40 KPH), Energy Saving, Electronic Module, Equip. 571
8	87569994	1	ELECTRONIC UNIT, CONTROL, MXM120, MXM130, MXM140, MXM155
8	47130171	1	DISPLAY, MXM175, MXM190, DISPLAY OF GEARS - ADVANCED, Semi Power Shift (30 KPH 4WD) Equip. 147, Full Power Shift 18 x 6 (40 KPH 4WD) and 17 x 6 (30 KPH) Equip. 281 is used for MXM120, MXM130, MXM140, MXM155, -C5513
8	87569995	1	ELECTRONIC UNIT, CONTROL, , Semi Power Shift (30 KPH 4WD) Equip. 147, Full Power Shift 18 x 6 (40 KPH 4WD) and 17 x 6 (30 KPH) Equip. 281 is used for MXM120, MXM130, MXM140, MXM155, D5513-
9	82033641	1	MODULE, MXM120, MXM130, MXM140, MXM155, Small Control Module for Visctronic Fan
10	87356940	1	MODULE, 2WD, MXM120, MXM130, MXM140, MXM155, XCM - W/Semi Power Shift (30 KPH), EDC, FSA, PTO and Visctronic Fan
10	87356939	1	MODULE, 4WD, MXM120, MXM130, MXM140, MXM155, XCM - W/Semi Power Shift (40 KPH), EDC, FSA, PTO and Visctronic Fan
10	87304731	1	MODULE, MXM175, MXM190, Central Control Module (XCM1.5) for Engine, Suspension and Visctronic Fan, -C5543
10	87384495	1	MODULE, MXM120, MXM130, MXM140
10	87304732	1	ELECTRONIC UNIT, CONTROL, MXM175, MXM190, Central Control Module (XCM1.5) for Engine, Suspension and Visctronic Fan, D5543-
11	15643904	3	SCREW, SELF TAP, Cross Pan Hd, M4.2 x 9.5,

D5345 After Date 28 March 2006 D5513 After Date 11 September 2006 D5543 After Date 18 October 2006



1.98.0



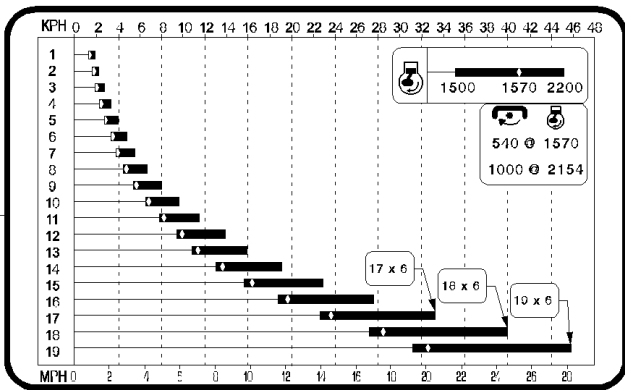
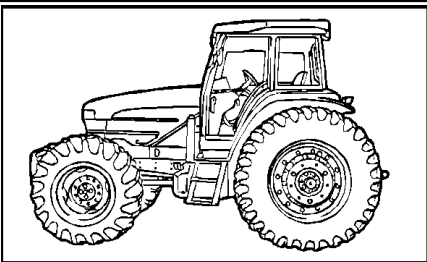
1.98.2

MXM155 CASE IH TRACTOR (6/02- )

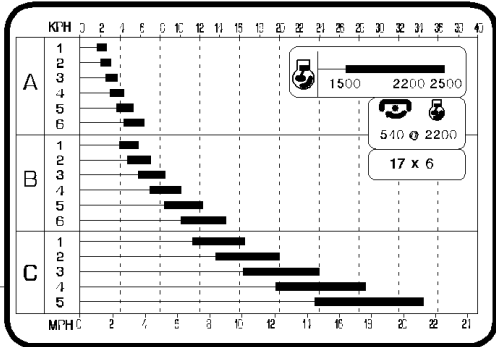
1.97.9 SEC. 13 - DECALS

сылка	Номер детали	Кол-во	Описание

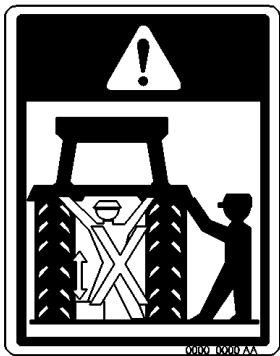




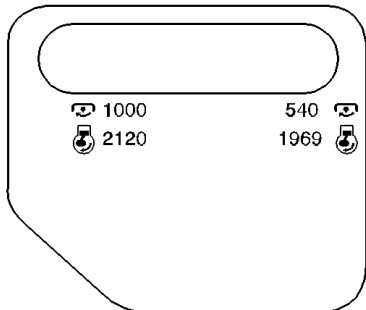
10



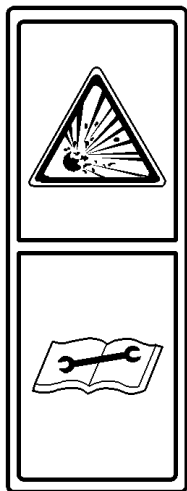
5



6

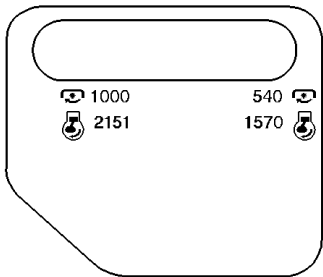


9



3

4

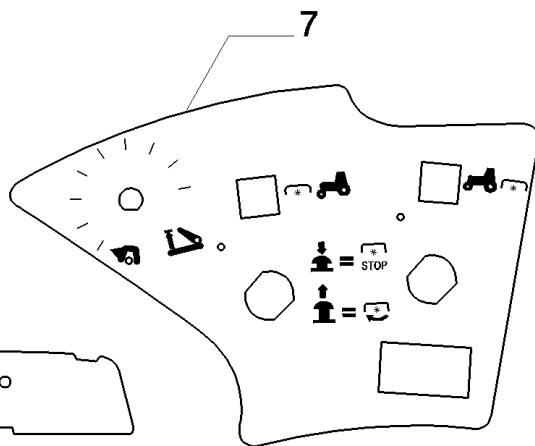


1

8



2



7



11



**LUBRICATE WITH**  
 Lubrificare con  
 Lubrifier avec  
 Schmieröl mit  
 Engressar con

**AKCELA**

**N° 1 ENGINE OIL 15W - 40 (MS 1121) / N° 1 ENGINE OIL 10W - 30 (MS 1121)**  
 Engine sump - Coppa motore - Carter moteur - Motor olwanne - Carter de aceite

**NEXPLORE (MAT 3525)**  
 Gearbox - Scatola cambio - Boite de vitesses - Schaltgetriebe - Caja de cambios  
 Rear axle - Trasmissione posteriore - Transmission arrière - Hinterrachs -  
 Transmission posterior  
 Final drives - Riduttori laterali - Reducteurs lateraux - Endantriebe - Reductores laterales  
 Hydraulic lift - Sollevatore idraulico - Releveur hydraulique - Hydraulischer Kraftheber -  
 Elevador hidráulico  
 P.T.O. - Presa di forza - Prise de force - Zapfwelle - Torna do fuerza  
 Front axle - Ponte anteriore - Pont avant - Vorderachse - Puente anterior  
 Power steering - Guida idrostatica - Direction hydraulique - Hydrolenkung - Servo direccion

**LHM FLUID (ISO 7308)**  
 Brake & clutch control - Comando freno e frizione - Commando freinos et embrayage -  
 Brem und kauptungskleuertrels - Comando frenos y embrague

**MULTIPURPOSE GREASE 251H EP (NLGI 2)**  
 Grease fittings - Ingrassatori a pressione - Graisseurs a pression - Schmierlippen -  
 Engrasadores a presion

**PREMIUM ANTI-FREEZE (MS 1710)**  
 Radiator - Radiatore - Radiateur - Kuehler - Radiator

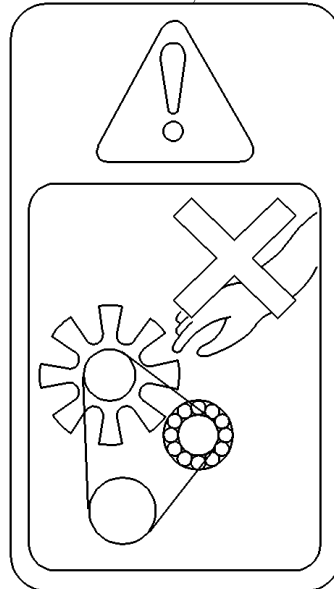
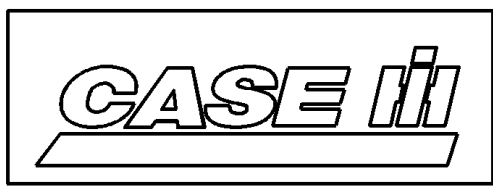
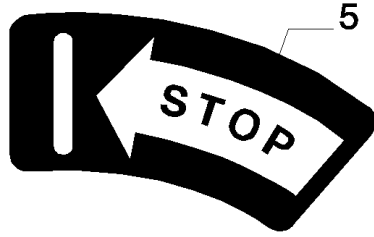
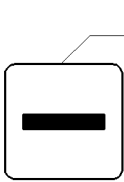
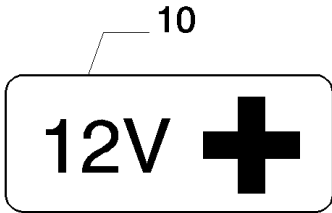
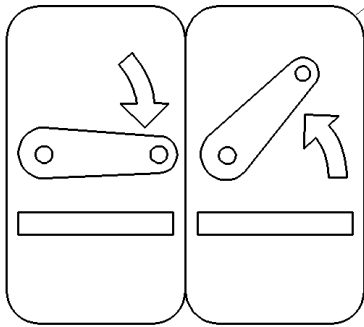
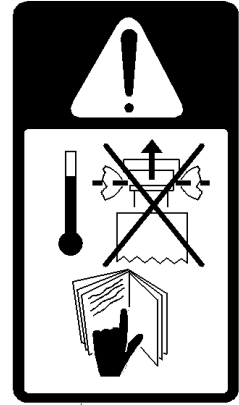
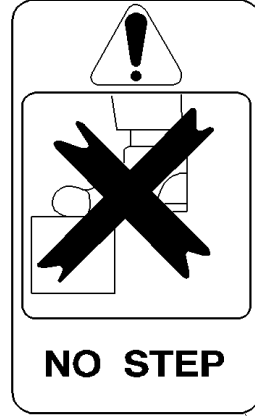
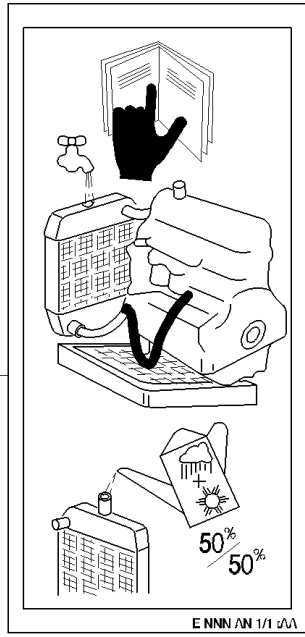
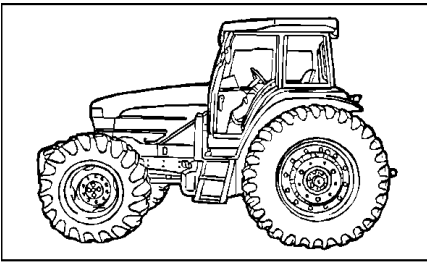
**Case IH**



## MXM155 CASE IH TRACTOR (6/02- )

## 1.98.0(01) DECALS

сылка	Номер детали	Кол-во	Описание
1	82025496	1	DECAL,
2	82027148	2	DECAL,
3	83946774	1	DECAL, WARNING
4	82029751	4	DECAL, Hydraulic
5	82016108	1	DECAL,
6	83982553	2	DECAL, WARNING, Ext Switch F/HPL - W/EDC
7	82025492	1	DECAL,
8	82031691	1	DECAL,
9	82036835	1	DECAL, Lubricants
10	82030858	1	DECAL,
11	81863548	1	DECAL,



1  
7

10

11

5

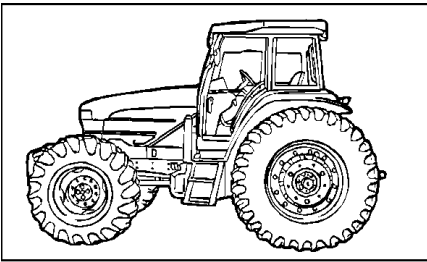
9

4  
2  
6  
3  
8

## MXM155 CASE IH TRACTOR (6/02- )

## 1.98.0(02) DECALS

сылка	Номер детали	Кол-во	Описание
1	82015448	1	DECAL, Coolant Level
2	82010947	1	DECAL, WARNING, No Step
3	81863548	1	DECAL,
4	87391222	2	DECAL, WARNING, Radiator
5	87556492	1	DECAL, Stop Engine
6	82013371	1	DECAL,
7	81871929	1	DECAL,
8	81871830	2	DECAL, WARNING, Fan
9	82031729	2	DECAL,
10	87524728	1	DECAL,
11	87524725	1	DECAL,



7  
1  
11

**BRAKE**

**WARNING**  
In an overturn risk or in the event of a steering wheel lock, do not attempt to jump out.

**ADVARSEL**  
Ved advarsel: Hold fast i rattet spring ikke af.

**WAARSCHUWING**  
Als de tractor kantteit springt of niet af, niet houd u stevig vast aan het stuur.

**VAROITUS**  
Pide kiinni ohjauksyörsästä traktorin keuhassa-aiia hyppää.

**ATTENTION**  
En cas de retournement du tracteur ou cramponner au volant. Ne pas tenter de sauter.

**ACHTUNG**  
Wenn Traktor kippt, festhalten am Lenkrad, nicht abspringen!

**ATTENZIONE**  
In caso di ribaltamento, tenersi saldamente al volante senza tentare di saltare fuori.

**ADVARSEL**  
Hold fast i rattet hvis traktoren vorter. Hopp ikke av!

**CUIDADO**  
Se a unidade se voltar, segure-se bem ao volante. Não tente saltar para fora.

**CUIDADO**  
En caso de volcar del tractor, no saltar sbejo pero agarrarse a la rueda del timon.

**WARNING**  
Hold fast i rattet om traktoren stjalper hoppa ej.

**ΠΡΟΕΧΗ**  
ΙΣΤΗΝ ΑΠΟΚΕΙ ΤΟΥ ΜΗΛΛΙ ΚΕΑΤΗΘΕΙΤΕ ΑΥΝΑΤΑΣΤΟ ΤΙΜΟΝΙ ΜΗΝ ΤΥΧΕΤΑ. ΟΧΕΙΤΕ ΝΑ ΠΙΛΗΘΕΤΕ ΙΣΤΗΝ ΤΑ ΕΞΩ.

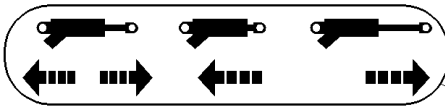
DISTRIBUTED BY FORD NEW HOLLAND INC. NEW HOLLAND, PA 17357

**DANGER-EXPLOSIVE CAN CAUSE BLINDNESS OR SEVERE INJURY PROTECT EYES SPARKS, FLAMES, CIGARETTES CAN CAUSE EXPLOSIONS: TOOLS AND CABLE CALMPS CAN CAUSE SPARKS, DO NOT USE WITHOUT INSTRUCTION. KEEP VENT CAPS TIGHT AND LEVEL.**

**ACID-POISON CAUSES SEVERE BURNS CONTAINS SULFURIC ACID. IN EVENT OF CONTACT. FLUSH WITH WATER AND SEE A DOCTOR. KEEP OUT OF THE REACH OF CHILDREN.**

REPLACE WITH TRACTOR BATTERY F-770 FNN-10x001-AA

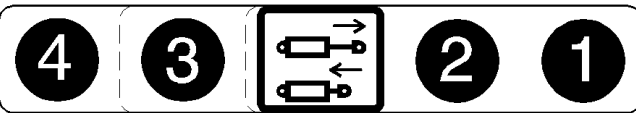
3



**WARNING**

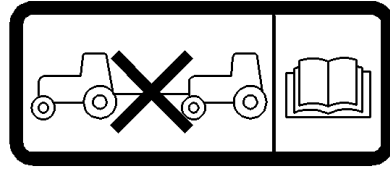
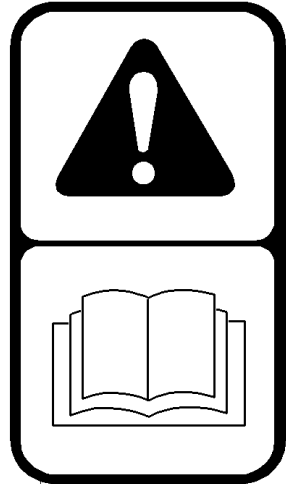
**TO JUMP START (Negative Grounded Battery)**

1. Shield eyes. 2. Connect one end of one cable to positive (+) terminals of each battery. 3. Connect one end of other cable to negative (-) terminal of "Good" battery. 4. Connect other end to engine block of vehicle being started. **TO PREVENT DAMAGE** to other electrical components on vehicle being started, make certain that engine is at idle speed before disconnecting jumper cables.

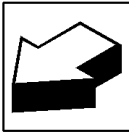


10  
2  
4  
8

1000 540E N 540  
2120 1546 1969



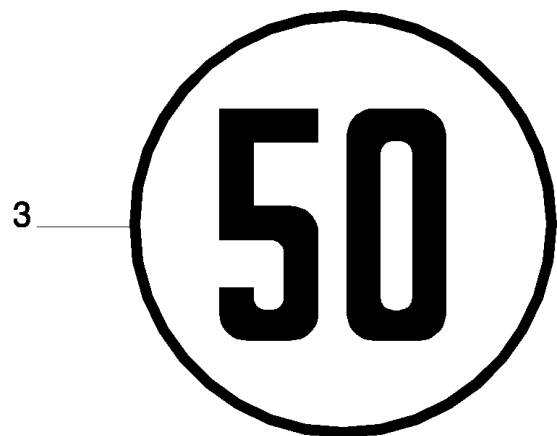
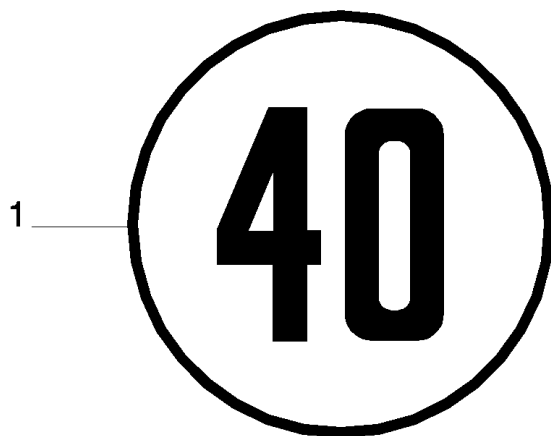
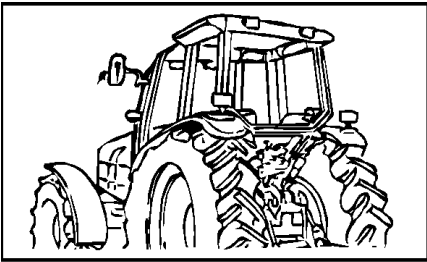
6  
9  
5



## MXM155 CASE IH TRACTOR (6/02- )

## 1.98.0(03) DECALS

сылка	Номер детали	Кол-во	Описание
1	82016114	1	DECAL, Parking Brake
2	82031697	1	DECAL,
3	82016113	1	DECAL, WARNING, Instruction (Overturn)
4	82029712	1	DECAL,
5	82011579	1	DECAL,
6	82001826	1	DECAL, WARNING, Instructions
7	81871702	1	DECAL, WARNING, Instructions
8	82031695	1	DECAL,
9	83946774	1	DECAL, WARNING
10	82029311	1	DECAL,
11	82008859	1	DECAL,



2 — "Die Beförderung von Personen ohne geeignete Sitzgelegenheit ist verboten".  
(vgl. § 21 StVO)

82016187

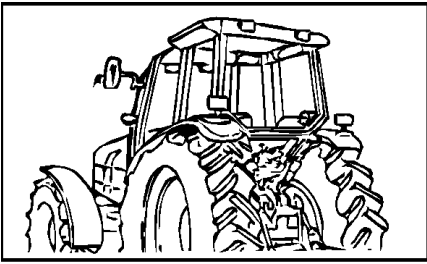


MXM155 CASE IH TRACTOR (6/02- )

1.98.0/01 (VAR.002) GERMAN VERSION - DECALS

сылка	Номер детали	Кол-во	Описание
1	83992508	1	DECAL,
2	82016187	1	DECAL,
3	82029770	1	DECAL,





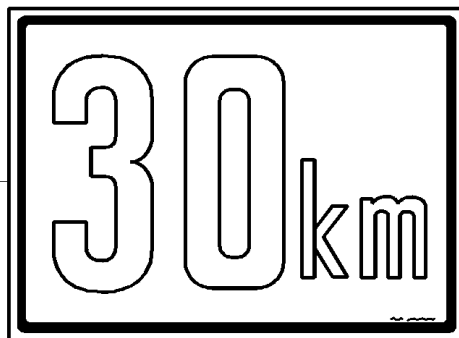
3



1



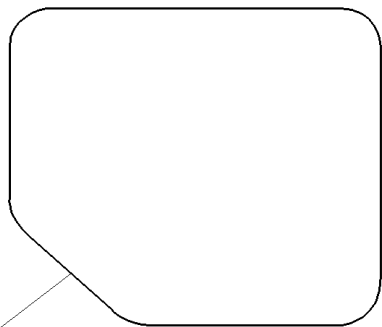
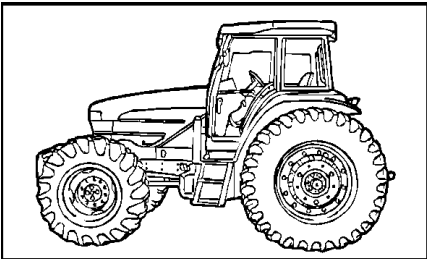
2



MXM155 CASE IH TRACTOR (6/02- )

1.98.0/02 (VAR.034) AUSTRIA VERSION - DECALS

сылка	Номер детали	Кол-во	Описание
1	83992507	1	DECAL,
2	83933622	2	DECAL,
3	82029769	1	DECAL,



**WARNING**

- Before starting and operating:
  - Know the operating and safety instructions in the operators manual and on the tractor.
  - Clear the area of bystanders. Locate and know operation of controls.
  - Fasten your seat belt.
- Start engine only from operators seat with transmission in neutral, PTO disengaged and hydraulic controls in lowered position.
- Avoid accidental contact with gear shift lever while the engine is running. Unexpected tractor movement can result.
- Slow down on turns, rough ground and slopes to avoid upset.
- Do not permit anyone but the operator to ride on the tractor. Unless an instructional seat has been fitted.
- Lock brakes together, use warning lights and SMV emblem while driving on roads.
- Lower equipment, place gear shift levers in neutral, stop engine and apply parking brake before leaving tractor seat.
- Always engage parking brake before dismounting. Transmission will not prevent tractor from rolling when engine is shut off.
- Keep safety shields in place for your protection.

FAILURE TO FOLLOW ANY OF THE INSTRUCTIONS ABOVE CAN CAUSE SERIOUS INJURY TO THE OPERATOR OR OTHER PERSONS.

**ATTENTION**

- Do not tow tractor unless all transmission levers are in neutral.
- To prevent cab damage:
  - Place tractor hydraulic system in position control before attaching implement.
  - Raise the implement slowly and ensure 4" (10cm) cab to implement clearance.
  - To protect the engine and hydraulic components:
    - Idle engine for one minute before shutdown after full load operation.
    - Do not exceed half throttle for first five minutes of operation.
  - Do not use creeper gears for high draft loads.
  - With units equipped with creeper gears. Do not stop engine with transmission in "creeper gear" to avoid starting difficulties.
- See Operators Manual for complete instructions.

**WARNING**

**TO JUMP START (Negative Grounded Battery)**

- Shield eyes.
- Connect one end of one cable to positive (+) terminals of each battery.
- Connect one end of other cable to negative (-) terminal of "Good" battery.
- Connect other end to engine block of vehicle being started. TO PREVENT DAMAGE to other electrical components on vehicle being started, make certain that engine is at idle speed before disconnecting jumper cables.

DISTRIBUTED BY FORD NEW HOLLAN INC. NEW HOLLAND, PA 17357

**DANGER—EXPLOSIVE CAN CAUSE BLINDNESS OR SEVERE INJURY PROTECT EYES SPARKS, FLAMES, CIGARETTES CAN CAUSE EXPLOSIONS: TOOLS AND CABLE CLAMPS CAN CAUSE SPARKS, DO NOT USE WITHOUT INSTRUCTION. KEEP VENT CAPS TIGHT AND LEVEL.**

**ACID—POISON CAUSES SEVERE BURNS CONTAINS SULFURIC ACID. IN EVENT OF CONTACT, FLUSH WITH WATER AND SEE A DOCTOR. KEEP OUT OF THE REACH OF CHILDREN.**

REPLACE WITH TRACTOR BATTERY F-770 FINN-10X004-AA

**DANGER**

**EXPLOSIVE CAN CAUSE BLINDNESS OR SEVERE INJURY PROTECT EYES. SPARKS, FLAMES, CIGARETTES CAN CAUSE EXPLOSION, TOOLS AND CABLE CLAMPS CAN CAUSE SPARKS. DO NOT USE WITHOUT INSTRUCTION KEEP VENTS TIGHT AND LEVEL.**

**ACID-POISON CAUSES SEVERE BURNS. CONTAINS SULPHURIC ACID. IN THE EVENT OF CONTACT, FLUSH WITH WATER AND SEE A DOCTOR. KEEP OUT OF REACH OF CHILDREN.**

**WARNING**

- Start engine only from operators seat. If safety start switch is bypassed engine can start with transmission in gear.
- Do not connect or short across terminals on starter solenoid.
- Attach booster cables as shown on battery decal.

Starting in gear causing runaway can result in serious injury.

FINN-16A901-EA

**WARNING**

**TO AVOID INJURY, DO NOT STAND ON IMPLEMENT OR BETWEEN IMPLEMENT AND TRACTOR WHILE OPERATING LIFT CONTROL**

EBNN-T970-AD

**WARNING**

**AIR CONDITIONING SYSTEM**

FLUID UNDER HIGH PRESSURE. DO NOT DISCONNECT ANY LINES.

SERVICE REPAIR OR RECHARGING MUST BE PERFORMED ONLY BY A TRAINED SERVICE TECHNICIAN.

REFRIGERANT: R134a  
CHARGE: 3.0lbs (1.4kg)

**WARNING**

**Hydraulic accumulator contains gas and oil under pressure. For removal and repair, instructions in technical manual must be followed.**

**WARNING**

**TO AVOID INJURY**

Read and Understand Instructions in Operators Manual before using Lift Controls

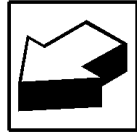
**EXTERNAL LIFT CONTROL**

- Apply Parking Brake
- Shift all Transmission Levers to Neutral.
- Disengage PTO
- Reduce Engine Speed to Low Idle
- Place Fast Raise Switch in Central Work Position

**NOTE**

WARRANTY ON THIS ENGINE AND OR POWER TRAIN COMPONENTS SHALL NOT APPLY TO ANY FAILURE RESULTING FROM UNSPECIFIED ADJUSTMENTS OF THE FUEL INJECTION SYSTEM

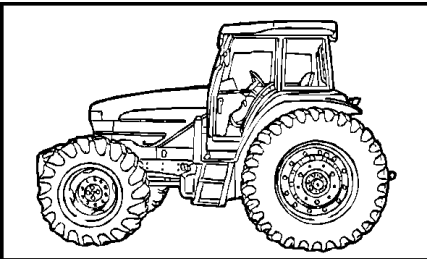
32002230



MXM155 CASE IH TRACTOR (6/02- )

1.98.0/03(01) (VAR. 007) DECALS

сылка	Номер детали	Кол-во	Описание
1	82025494	2	DECAL, PTO Blanking, Wheat Grey
2	82029313	1	DECAL,
3	82030429	2	DECAL,
4	82030541	2	DECAL,
5	82030732	4	DECAL,
6	82029311	1	DECAL,
7	82008859	1	DECAL,
8	82029312	1	DECAL, DANGER, Battery Safety Instructions
9	87311609	1	DECAL,
10	82029315	1	DECAL,
11	82029752	4	DECAL,
12	82029238	1	DECAL, WARNING, Fuel Injection Pump



MADE IN ENGLAND

**! WARNING**

TO AVOID INJURY,  
DO NOT STAND ON  
IMPLEMENT OR  
BETWEEN IMPLEMENT  
AND TRACTOR  
WHILE OPERATING  
LIFT CONTROL

E6NN-T070-AD

**! WARNING**

Cooling system operates under pressure. Do not remove radiator pressure cap while system is hot. See Operators Manual.

**! WARNING**

KEEP HANDS AND CLOTHING AWAY FROM MOVING PARTS.

**! WARNING**

NO STEP

12V +

-

STOP

**! WARNING**

- Pull only from drawbar. Pulling from any other point can cause rear overturn.
- Do not operate with unshielded PTO.
- Disengage PTO and stop engine before servicing tractor or implements or attaching and detaching implements.
- Position drawbar at 14" from end of PTO shaft to drawbar hole for 540 and 16" for 1000 PTO RPM.
- When towing equipment use a safety chain.

FAILURE TO FOLLOW ANY OF THE INSTRUCTIONS ABOVE CAN CAUSE SERIOUS INJURY TO THE OPERATOR OR OTHER PERSONS.

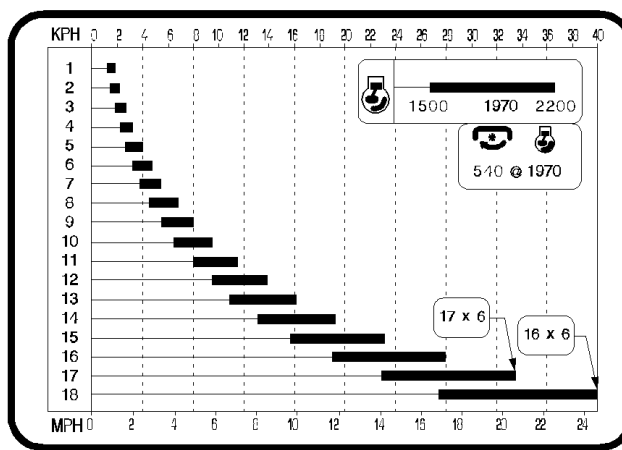
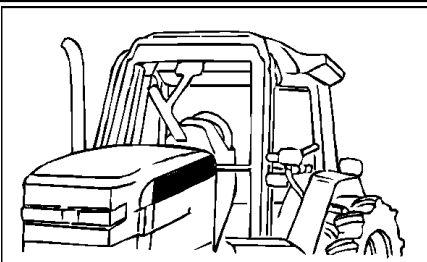


MXM155 CASE IH TRACTOR (6/02- )

1.98.0/03(02) (VAR. 007) DECALS

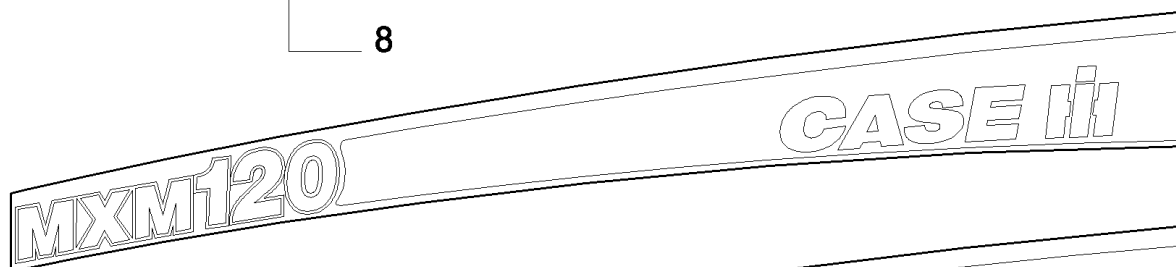
сылка	Номер детали	Кол-во	Описание
1	82029538	2	DECAL, WARNING, Fan
2	82029421	2	DECAL, WARNING, Radiator
3	81858824	1	DECAL,
4	82030526	1	DECAL,
5	82030732	1	DECAL,
6	82029420	1	DECAL, WARNING, No Step
7	82027147	1	DECAL, Red
7	82029808	1	DECAL, White
8	87556492	1	DECAL,
9	87524728	1	DECAL,
10	87524725	1	DECAL,

1.98.2 MODEL IDENTIFICATION DECALS

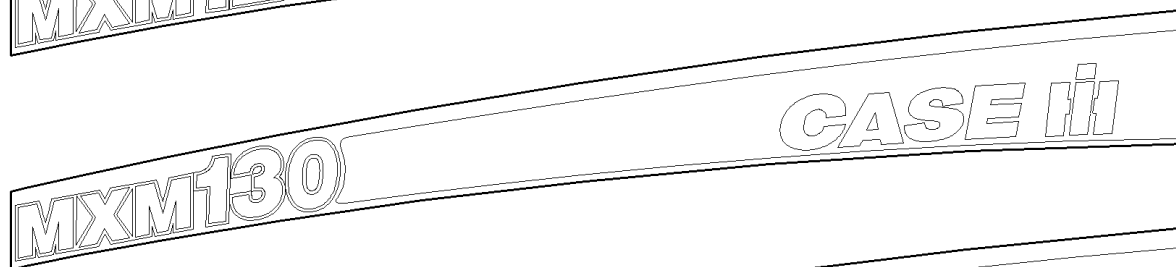


8

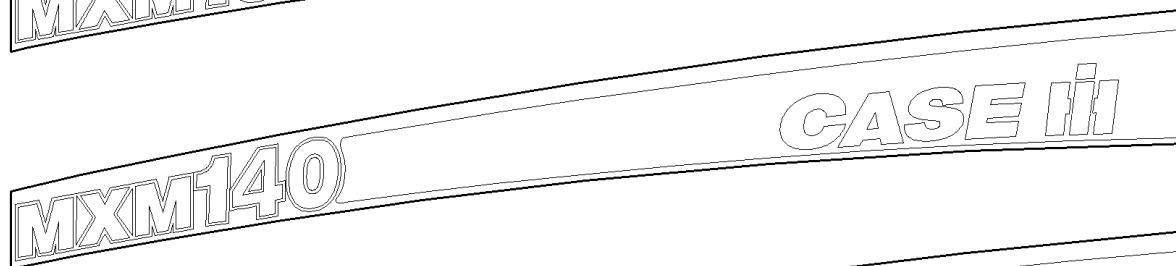
7



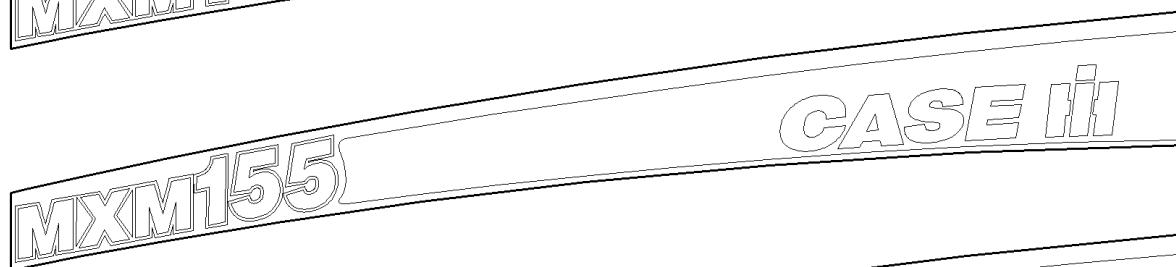
1



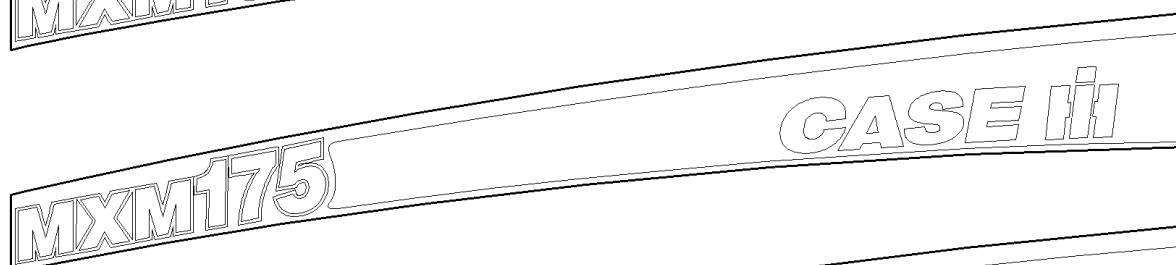
2



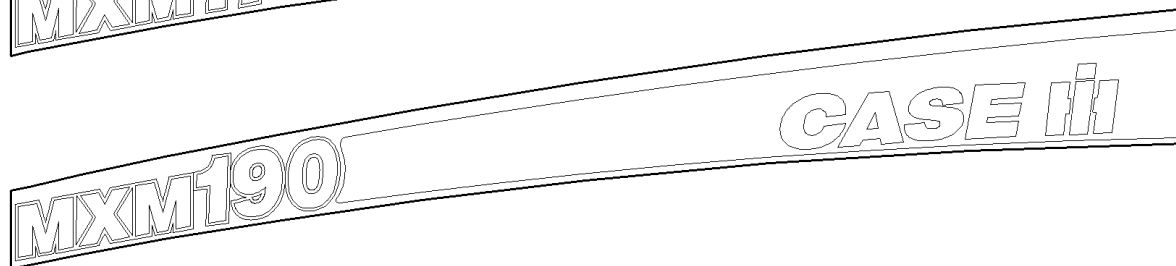
3



4



5



6

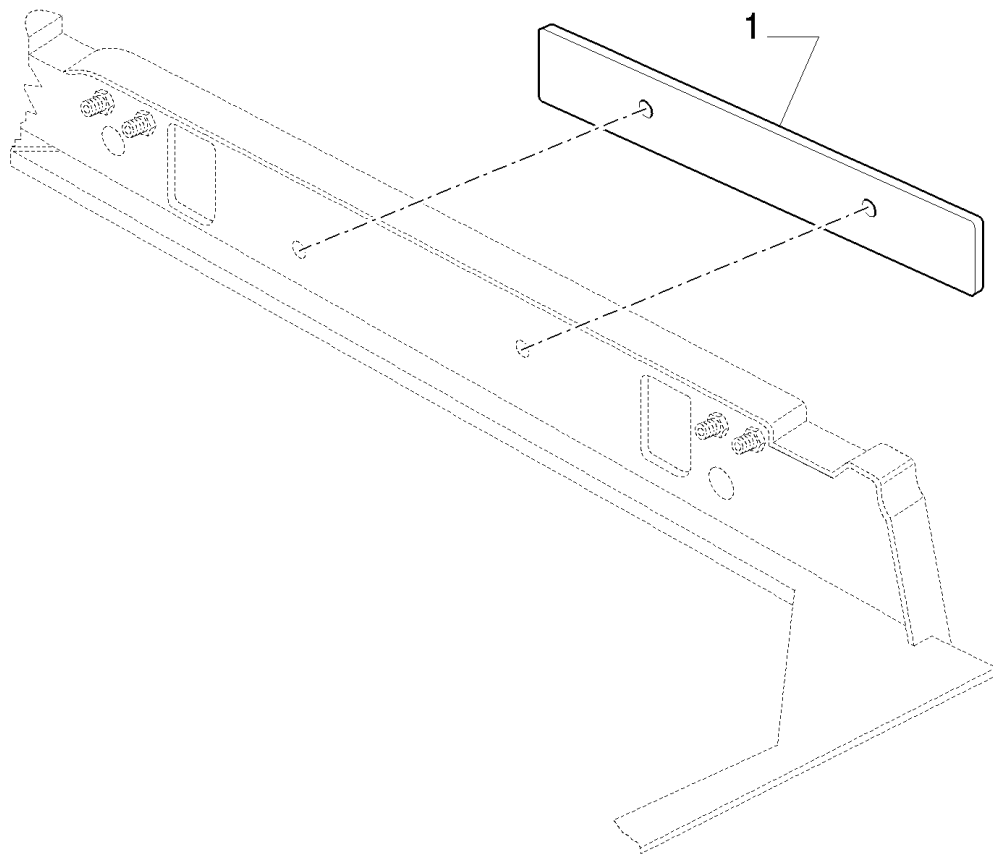
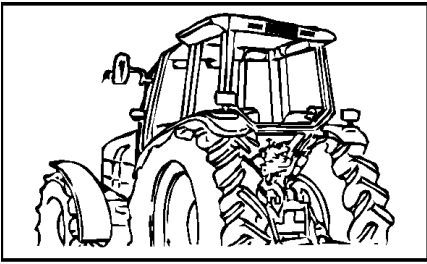


## MXM155 CASE IH TRACTOR (6/02- )

## 1.98.2 MODEL IDENTIFICATION DECALS

сылка	Номер детали	Кол-во	Описание
1	82023810	1	DECAL, LH
1	82023811	1	DECAL, RH
2	82023812	1	DECAL, LH
2	82023813	1	DECAL, RH
3	82023814	1	DECAL, LH
3	82023815	1	DECAL, RH
4	82023816	1	DECAL, LH
4	82023817	1	DECAL, RH
5	82023818	1	DECAL, LH
5	82023819	1	DECAL, RH
6	82023820	1	DECAL, LH
6	82023821	1	DECAL, RH
7	82020497	1	DECAL, , W/Full Power Shift trans. 18 x 6 (40 KPH-4WD) and 17 x 6 (30 KPH-2WD) Equip. 281
8	87304027	2	DECAL,

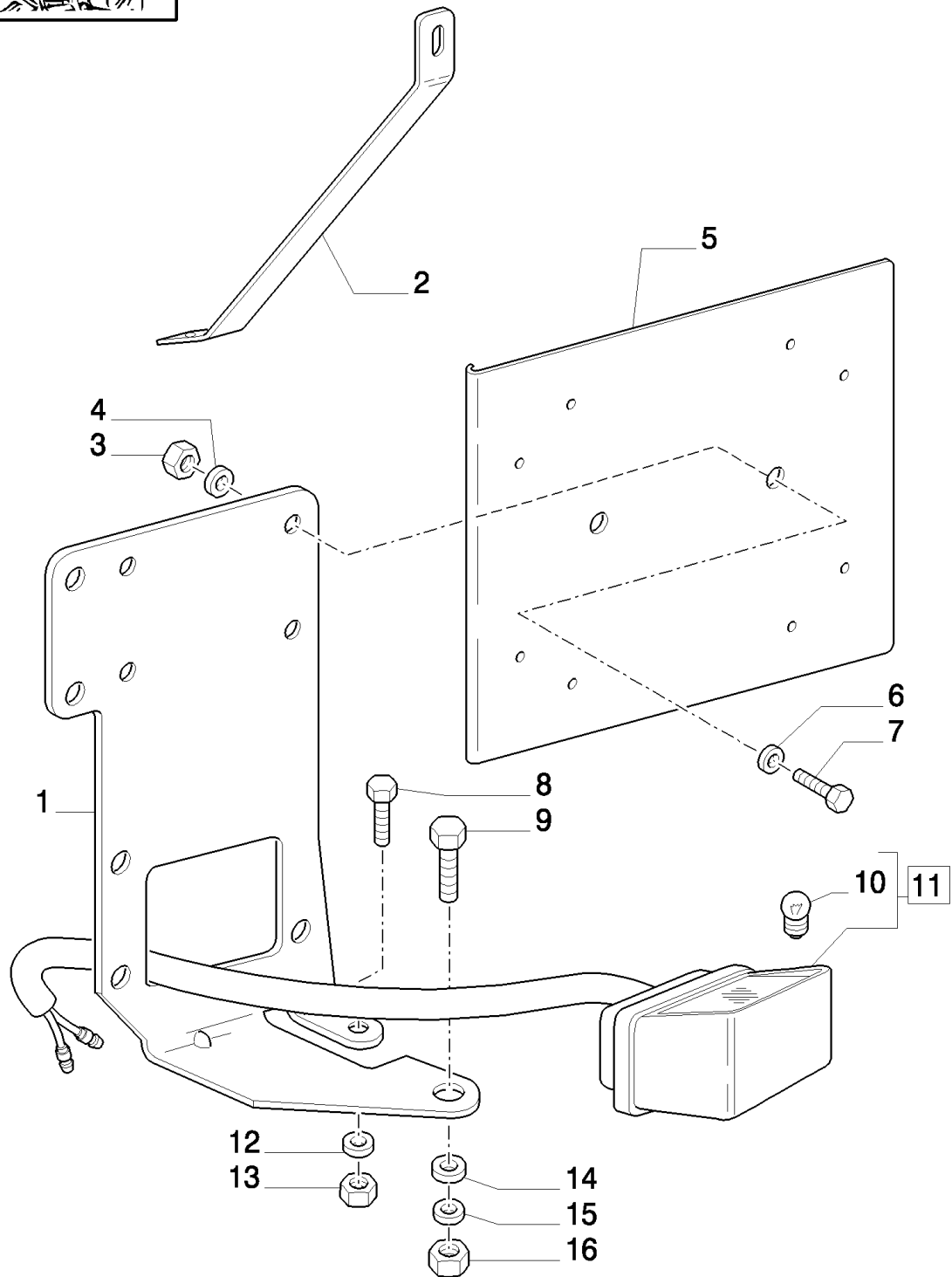
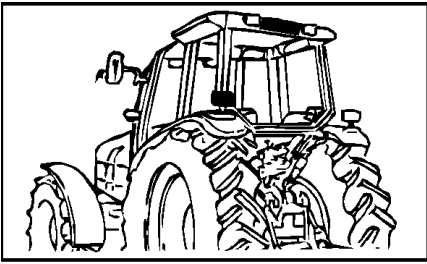




MXM155 CASE IH TRACTOR (6/02- )

1.98.3 (VAR.001) FRANCE VERSION - LICENSE PLATE & LAMP

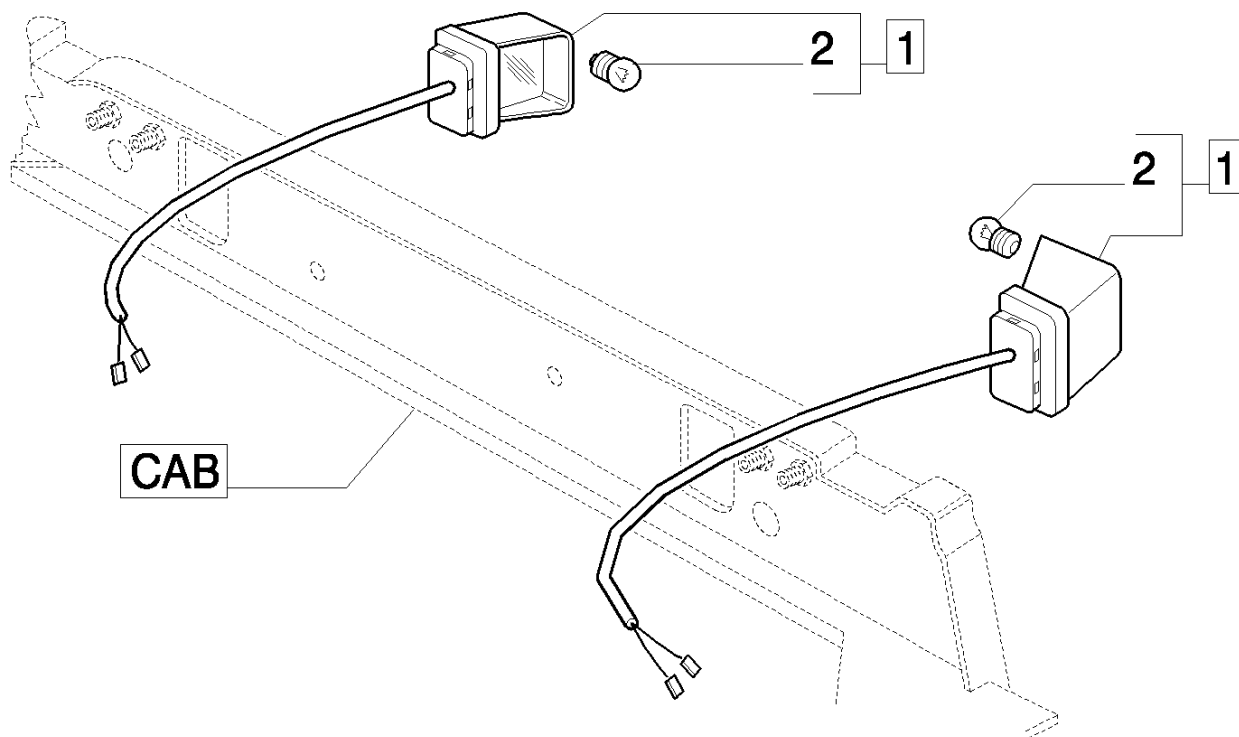
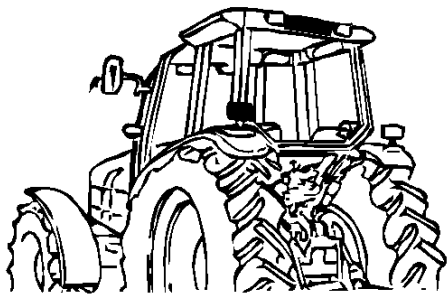
сылка	Номер детали	Кол-во	Описание
1	82027119	1	PLATE, Licence Rear (White)



MXM155 CASE IH TRACTOR (6/02- )

1.98.3/01 (VAR.965) LICENSE PLATE LAMP & SUPPORT, MOUNTING ON MUDGUARD

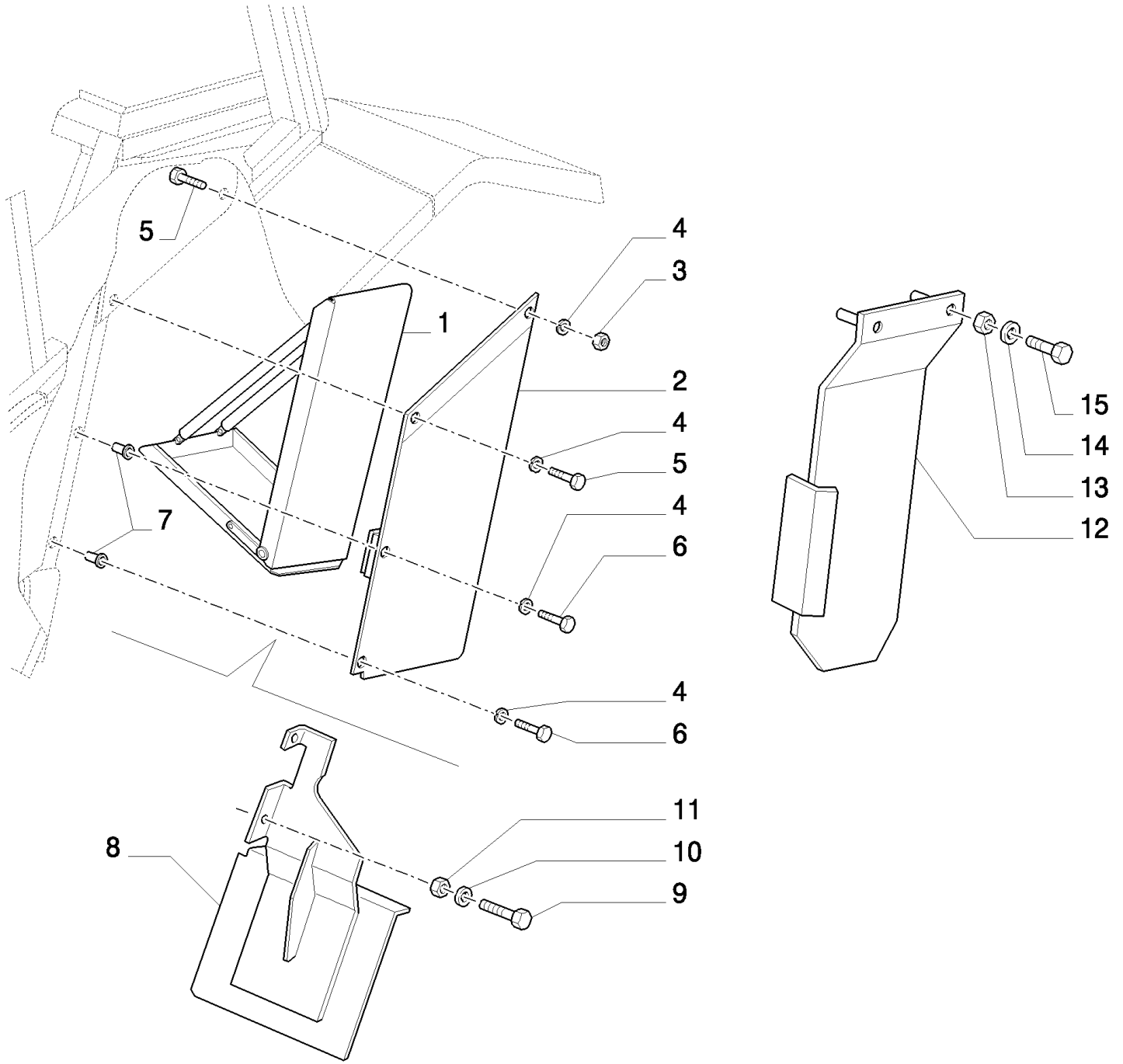
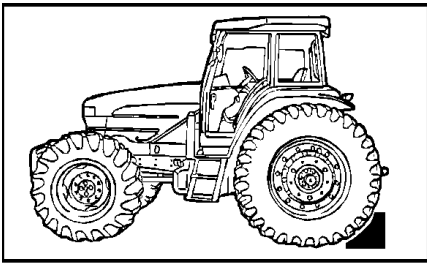
сылка	Номер детали	Кол-во	Описание
1	82030285	1	SUPPORT,
2	47124276	1	TIE-ROD,
3	15896221	2	NUT, M6, CI 10,
4	12035670	2	WASHER, LOCK, M6
5	5170366	1	PLATE,
6	12647601	2	WASHER, M6 x 16 x 2,
7	86511830	2	SCREW, Cross Pan Hd, M6 x 20,
8	16043624	1	BOLT, Hex, M8 x 25, 8.8, Full Thd,
9	80300388	1	SCREW, Cap, HH, CL 8.8, M12 x 1.75 x 25
10	81867061	1	BULB, Type R19, 10W
11	82000705	1	LAMP, NUMBER PLATE,
12	10516674	1	WASHER, LOCK, 5/16", (M8)
13	16100811	1	NUT, M8, CI 8,
14	82011888	1	WASHER,
15	10517074	1	WASHER, LOCK,
16	11702921	1	NUT, M12, CI 10,



MXM155 CASE IH TRACTOR (6/02- )

1.98.3/02 (VAR.966) LICENSE PLATE LAMP & SUPPORT, MOUNTING ON CAB ROOF

сылка	Номер детали	Кол-во	Описание
1	82011933	2	LAMP, NUMBER PLATE,
2	81867061	2	BULB, Type R19, 10W



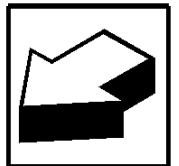
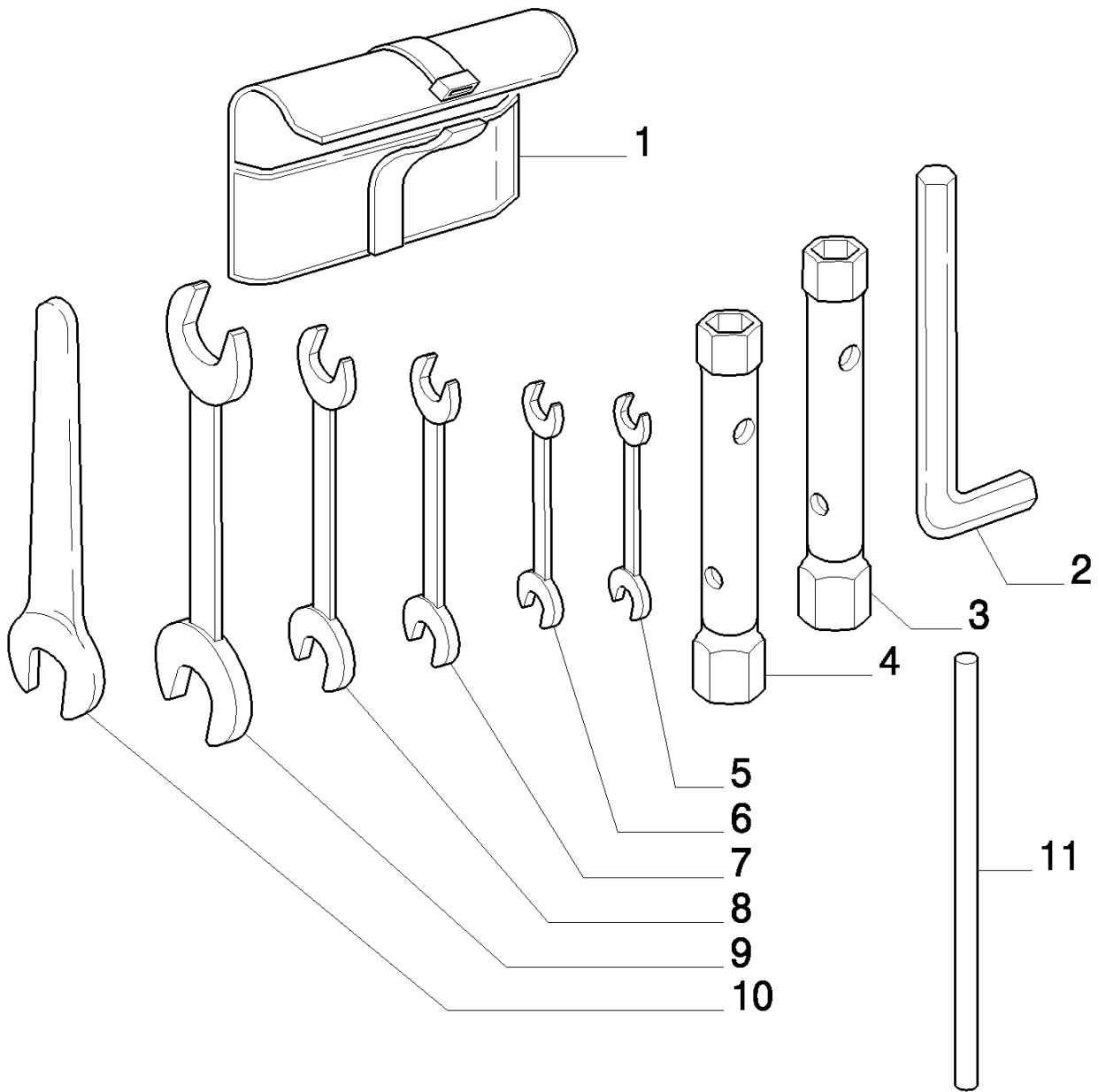
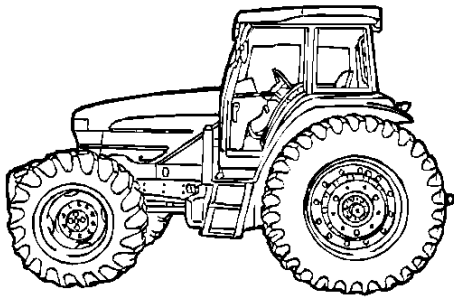
## MXM155 CASE IH TRACTOR (6/02- )

## 1.99.1 (VAR.863) DOUBLE CHOCK

сылка	Номер детали	Кол-во	Описание
1	5112736	2	WHEEL CHOCK,
2	82016177	1	SUPPORT, LH, -C5340
2	82016179	1	SUPPORT, RH, -C5340
3	15896221	AR	NUT, M6, CI 10, , -C5340
4	10523404	AR	WASHER, M6 x 18 x 2, , -C5340
5	10902224	AR	BOLT, Hex, M6 x 16, 8.8, Full Thd,
6	10902624	AR	BOLT, Hex, M6 x 25, 8.8, Full Thd, , -C5340
7	81869659	4	INSERT, THREADED, M6
8	87373331	1	SUPPORT, LH, W/Cab, W/Suspension
8	87373323	1	SUPPORT, RH, W/Cab, W/Suspension
9	11106424	4	BOLT, Hex, M10 x 30, 8.8, Full Thd,
10	14496621	4	WASHER, M10 x 21 x 2,
11	12577211	4	NUT, LOCK, M10 x 1.5, CI 8,
12	87371507	1	SUPPORT, LH, D5340-
12	87371512	1	SUPPORT, RH, D5340-
13	12577411	2	NUT, LOCK, M16 x 2, CI 8, , D5340-
14	14496901	2	WASHER, M16 x 30 x 3, , D5340-
15	14496901	2	WASHER, M16 x 30 x 3, M16 x 120, D5340-

D5340 After Date 15 March 2006

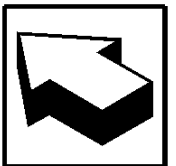
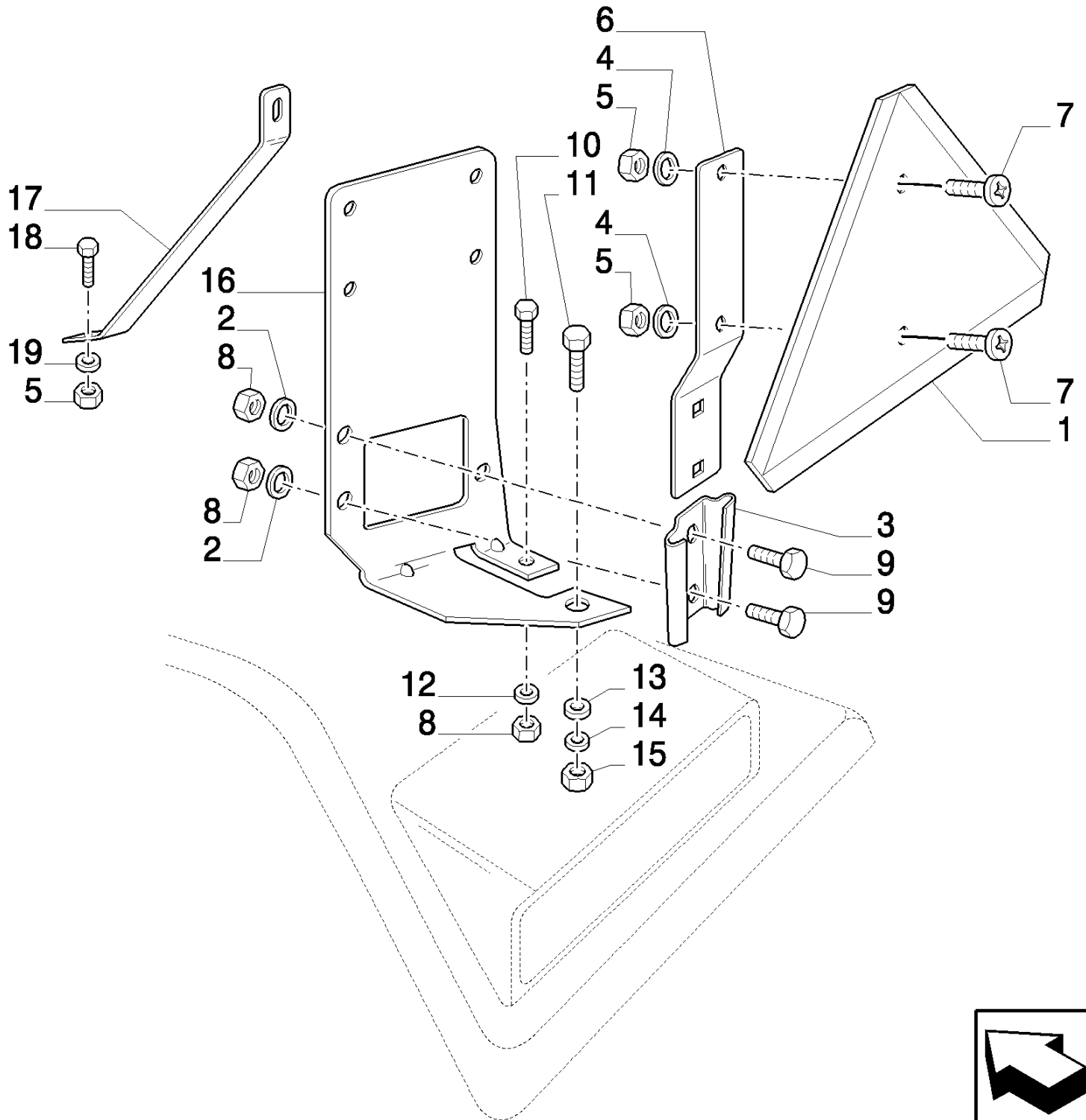
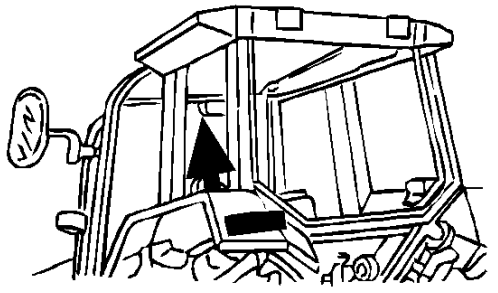




## MXM155 CASE IH TRACTOR (6/02- )

## 1.99.2 (VAR.996) SET OF TOOLS

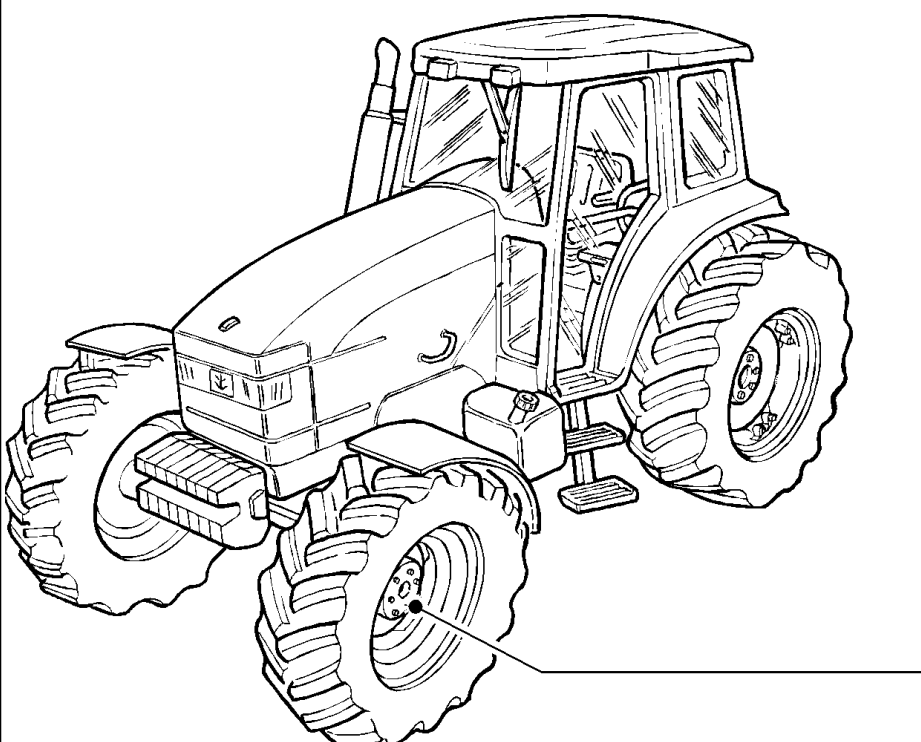
сылка	Номер детали	Кол-во	Описание
1	4960158	1	TOOL BAG,
2	5121429	1	WRENCH, SPECIAL, 12 mm
3	5121423	1	SOCKET WRENCH, 24 mm / 27 mm
4	5121422	1	SOCKET WRENCH, 22 mm / 24 mm
5	5121417	1	WRENCH, OPEN END, 6 x 7 mm
6	5121418	1	WRENCH, OPEN END, 10 x 13 mm
7	5121419	1	WRENCH, OPEN END, 11 x 14 mm
8	5121420	1	WRENCH, OPEN END, 17 x 19 mm
9	5121421	1	WRENCH, OPEN END, 22 x 24 mm
10	5121426	1	WRENCH, OPEN END, 27 mm
11	5121440	1	PIN,



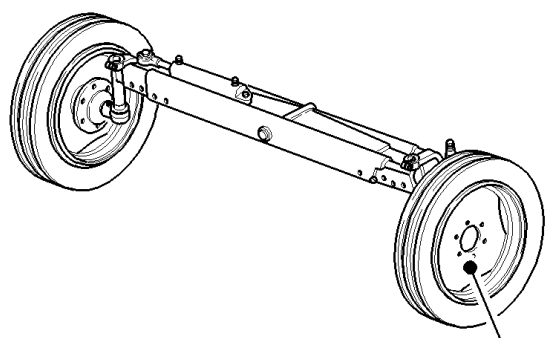
## MXM155 CASE IH TRACTOR (6/02- )

## 1.99.3 (VAR.759) SLOW MOVING VEHICLE SIGN

сылка	Номер детали	Кол-во	Описание
1	5144870	1	REFLECTOR, SMW
2	14496504	2	WASHER, M8 x 17 x 1.6,
3	5148517	1	SUPPORT,
4	14499304	2	WASHER, M6 x 11 x 1.6,
5	15896221	5	NUT, M6, CI 10,
6	81864740	1	BRACKET,
7	10376724	2	SCREW, Slotted, Pan Hd, M6 x 16,
8	16100811	3	NUT, M8, CI 8,
9	16043224	2	BOLT, Hex, M8 x 16, 8.8, Full Thd,
10	16043624	1	BOLT, Hex, M8 x 25, 8.8, Full Thd,
11	80300388	1	SCREW, Cap, HH, CL 8.8, M12 x 1.75 x 25
12	10516674	1	WASHER, LOCK, 5/16", (M8)
13	82011888	1	WASHER,
14	10517074	1	WASHER, LOCK,
15	11702921	1	NUT, M12, CI 10,
16	82015041	1	BRACKET,
17	82009275	1	BRACKET,
18	86511830	2	SCREW, Cross Pan Hd, M6 x 20,
19	12647601	2	WASHER, M6 x 16 x 2,

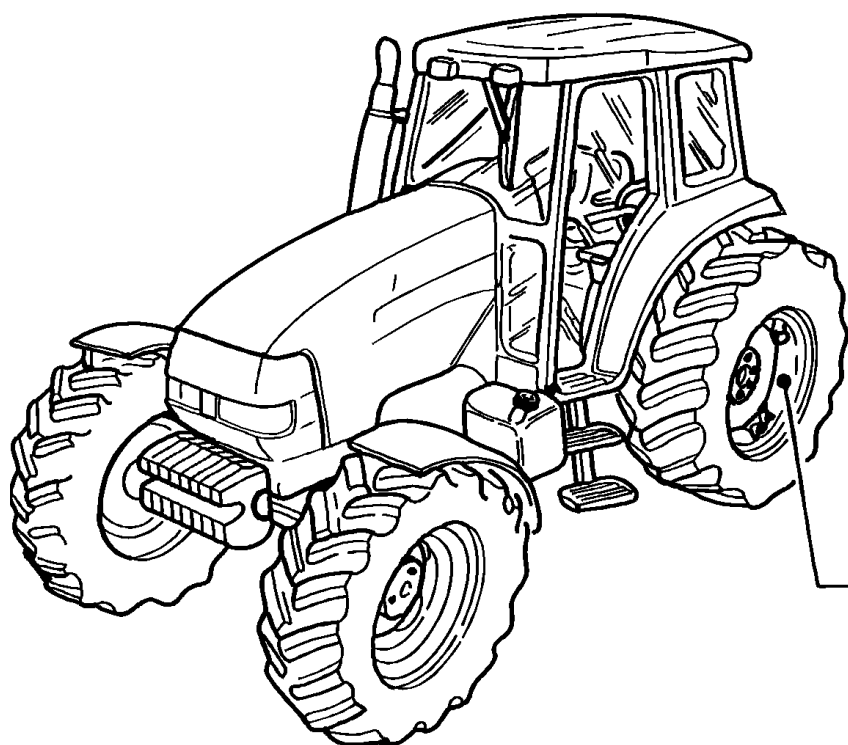


GROUP	EQUIP	RIM	TIRE SIZE
82.00	82.40	W12X24	14.9 R24 A8
	82.41	W12X28	14.9 R28 (380/85 R28) A8
	82.41/1	W12X28	14.9 R28
	82.41/2	W12X28	14.9 28 10PR
	82.41/3	W12X28	14.9 R28 (380/85R) A8 R1
	82.41/4	W12X28	380/85 R28 133A8
	82.41/5	W12X28	380/85 R28
	82.50	W12X28	13.6R28 (340/85 R28) A8
	82.50/1	W12X28	380/70 R28 A8
	82.51	W12X28	14.9 R28 R1
	82.53	W15X28	16.9 R28 R1
	82.55	W12X28	16.9 R28 (420/85 R28) A8
	82.55/1	W15X28	16.9 R28 R1
	82.55/2	W15X28	16.9 28 8PR
	82.55/3	W15X28	16.9 R28
	82.55/4	W15X28	16.9 R28 A8
	82.58	DWW13X30	14.9 R30
	82.58/1	W13X30	14.9 R30 A8 R1
	82.58/2	W13X30	14.9 R30 (380/85 R30)
	82.58/3	W13X30	14.9 R30 A8
	82.58/4	W13X30	14.9 R30 (380/85 R30)
	82.74	W15X30	16.9 R30 (420/85 R30) A8 R1
	82.85	W13x34	14.9 R34 R1
	82.95	W10X38	320/85 R38 R1W
	82.95/1	W10X38	320/85 R38
	88.13	W15LX28	480/70 R28 A8 R1
	88.15	W15X28	480/65 R28 A8
	88.15/1	W14X28	480/65 R28 A8
	88.25	W14X28	480/65 R28 A8
	88.33	W15X28	420/70 R28 A8 R1
	88.33/1	W15X28	480/70 R28 B R1
	88.51	W12X28	420/70 R28 A8
	88.51/1	W12X28	420/70 R28 DT812
	88.52	W14X28	420/70 R28 A8
88.52/1	W14X28	420/70 R28 DT812	
88.57	W15X30	540/65 R30 A8 R1	
88.58	W15X28	540/65 R28 A8 R1	
88.58/1	W15X28	540/65 R28 B R1	
88.59	W10X34	320/85 R34	
88.65	W15X30	480/70 R30 B R1	
88.68	W15X28	540/65 R28 A8 R1	
88.69	W15X30	540/65 R30 B R1	
88.75	W18X28	600/65 R28 A8 R1	
88.77	W20X28	600/65 R28 B R1	



GROUP	EQUIP	RIM	TIRE SIZE
81.00	81.15	W8LX16	11.00 - 16 10PR
	81.32	W11X16.1	14L - 16 1 12PR





GROUP	EQUIP	RIM	TIRE SIZE
	83.28	W15X38	18.4 R38 (460/85) R38 A8
	83.28/1	W15X38	18.4 R38
	83.28/2	W15X38	18.4 38 8PR
	83.33	W18X38	20.8 R38 R1
	83.33/1	W18X38	20.8 R38 10PR R1
	83.34	W16X38	18.4 R38 R1
	83.44	W10X54	320/90 R54
	83.65	DW15X34	18.4 R34 A8
	83.70	W12X46	14.9 R46
	83.75	W15X38	16.9 R38 (420/85) R38 A8
	83.76	W15X38	16.9 R38 (420/85 R38) A8
	83.77	W15X38	18.4 R38
	83.77/1	W15X38	18.4 R38 (460/85 R38) A8
	83.77/2	W15X38	18.4/38 8PR
	83.80	W18X38	20.8 R38 (520/85 R38) A8 R1
	83.80/1	W18X38	20.8 38 10PR R1
	83.80/2	W18X38	20.8 R38 R1
	83.80/3	W18X38	20.8 R38
	83.81	W18X38	20.8 R38 A8 R1
	83.88	W16X42	18.4 R42 R1
	83.89	W18X42	20.8 R42(520/85 R42) A8 R1
	83.90	W15X42	18.4 R42 A8 R1
	84.24	W18X38	20.8 R38
	84.40	W18X42	20.8 R42
	84.61	W10X54	320/90 R54 R1W
	84.66	W16X46	18.4 R46 R1W
	84.70	W12X46	14.9 R46 R1
83.00	84.80	W18X38	20.8 R38 R1
	84.80/1	W18X38	20.8 R38 (520/85 R38) A8 R1
	84.88	W15X42	18.4 R42 R1
	84.91	W15X42	18.4 R42 A8 R1
	84.95	W18X42	20.8 R42 (520/85 R42) A8 R1
	85.80	W18X38	20.8 R38 R2
	89.14	W23X38	650/75 R38 A8 R1
	89.26	W18X38	600/65 R38 A8 R1
	89.34	DW12X46	16.9 R46
	89.34/1	DW12X46	420/80 R46
	89.34/2	DW12x46	420/80 R46
	89.49	W18X38	520/70 R38 A8 R1
	89.49/1	W18X38	600/65 R38 A8
	89.53	W18X42	620/70 R42 A8 R1
	89.69	W18X38	600/65 R38
	89.69/1	W18X38	600/65 R38 A8 R1
	89.71	W18X42	580/70 R42 A8 R1
	89.75	W18X38	520/70 R38 A8
	89.75/1	W18X38	580/70 R38 A8 R1
	89.76	W15X38	480/70 R38 A8
	89.78	DW15LX38	520/70 R38
	89.79	W15X38	520/70 R38 A8
	89.84	W18X38	560/70 R38 A8 R1
	89.85	W18X42	650/65 R42 A8 R1
	89.86	W18X38	650/65 R38 A8 R1
	89.88	DW23X38	710/70 R38 A8 R1
	89.89	W18X42	650/65 R42 A8 R1
	89.97	W18X42	650/65 R42 A8 R1
	89.98	W18X38	650/65 R38 A8 R1

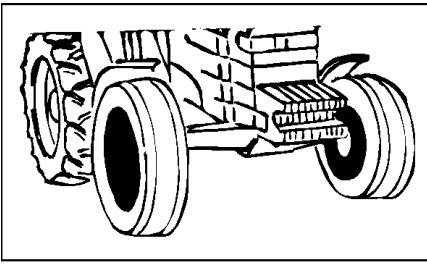
MXM155 CASE IH TRACTOR (6/02- )

80.00(02) SEC. 11 - TRACTION

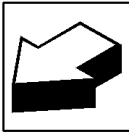
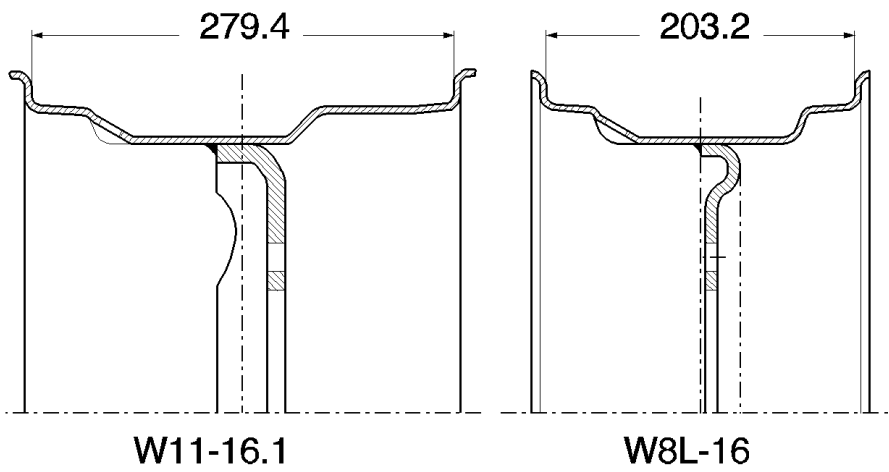
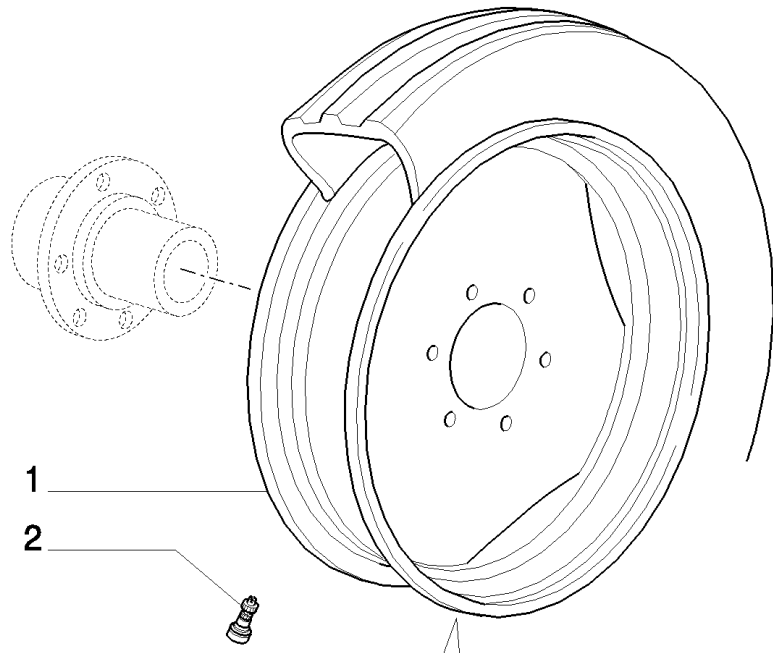
сылка	Номер детали	Кол-во	Описание



81.00 2WD FRONT WHEELS



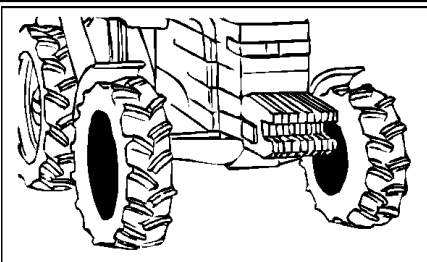
EQUIP.	TIRE SIZE	RIM
81.15	11.00 - 16 10PR	W8Lx16
81.32	14L - 16.1 12PR	W11x16.1



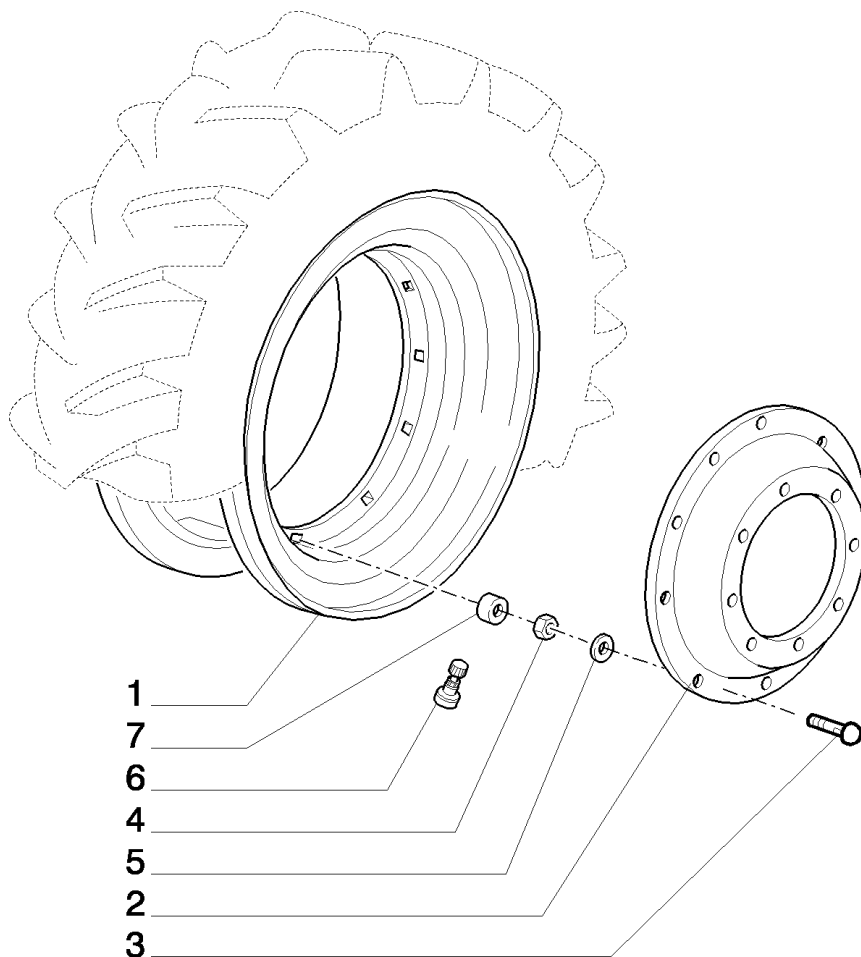
MXM155 CASE IH TRACTOR (6/02- )

81.00 2WD FRONT WHEELS

сылка	Номер детали	Кол-во	Описание
1	82029044	2	WHEEL, W8L x 16
1	82029047	2	WHEEL, W11 x 16,1
2	85700224	2	VALVE STEM,



EQUIP.	TIRE SIZE	RIM
82.53	16.9 R28 R1	W15X28
82.55	16.9 R28 (420/85 R28) A8	W15X28
82.55/1	16.9 R28 R1	W15X28
82.55/2	16.9 28 8PR	W15X28
82.55/4	16.9 R28 A8	W15X28
88.13	480/70 R28 A8 R1	W15X28
88.15	480/65 R28 A8	W15X28
88.68	540/65 R28 A8 R1	W15X28

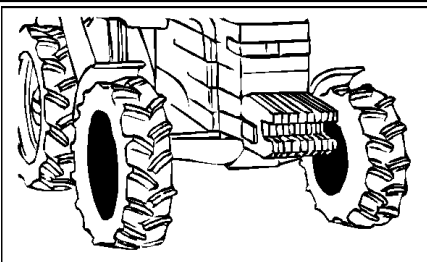


## MXM155 CASE IH TRACTOR (6/02- )

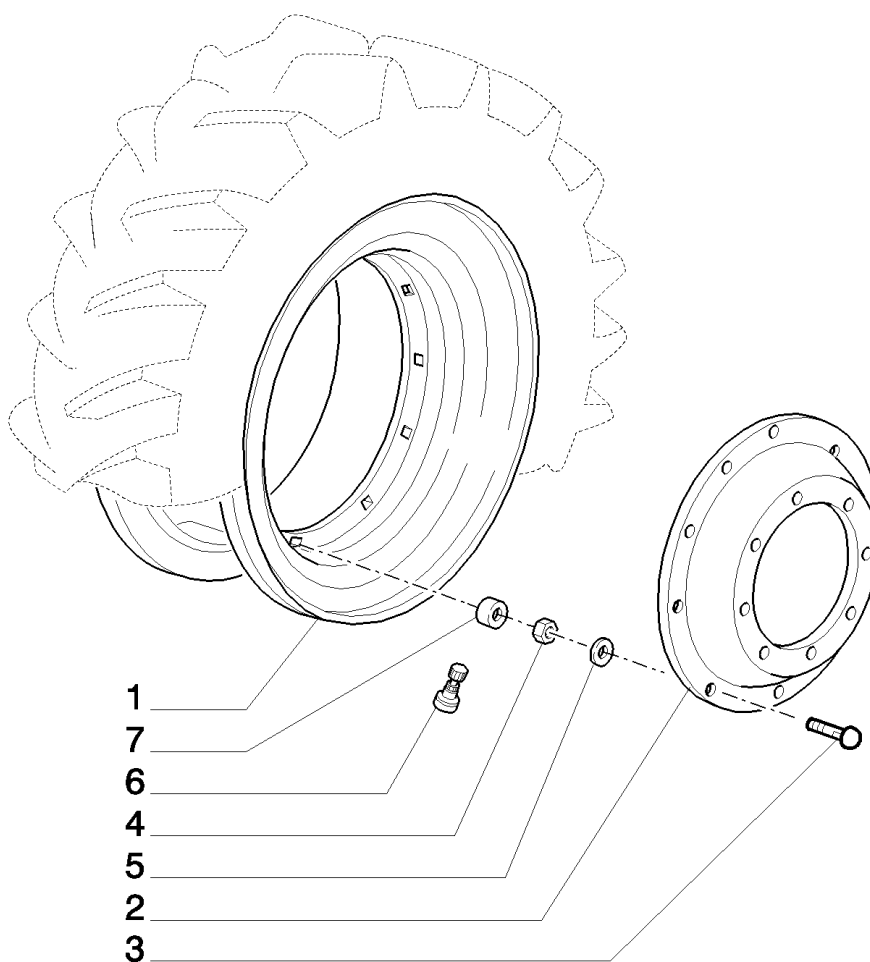
## 82.00(02) 4WD DRIVING WHEELS

сылка	Номер детали	Кол-во	Описание
1	82031125	2	RIM, W15 x 28
2	82031107	2	DISC, WHEEL,
3	82022305	24	BOLT, Coach, M16 x 1.5 x 58, 10.9,
4	12164121	24	NUT, M16 x 1.5, CI 10,
5	82011967	24	WASHER,
6	85700224	2	VALVE STEM,
7	82031090	24	SPACER,

Equip. 82.53, 82.55/4 Only for MXM120, MXM130, MXM140



EQUIP.	TIRE SIZE	RIM
82.41/1	14.9 R28	W12X28
82.41/2	14.9 28 10PR	W12X28
82.41/3	14.9 R28 (380/85R) A8 R1	W12X28
82.41/4	380/85 R28 133 A8	W12X28
82.41/5	380/85 R28	W12X28
82.51	14.9 R28 R1	W12X28
88.51	420/70 R28 A8	W12X28
88.51/1	420/70 R28 DT812	W12X28

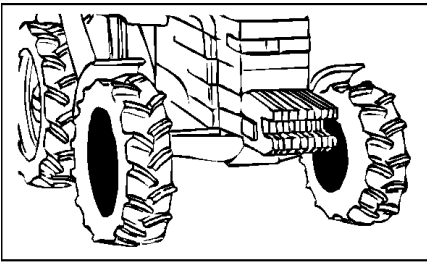


## MXM155 CASE IH TRACTOR (6/02- )

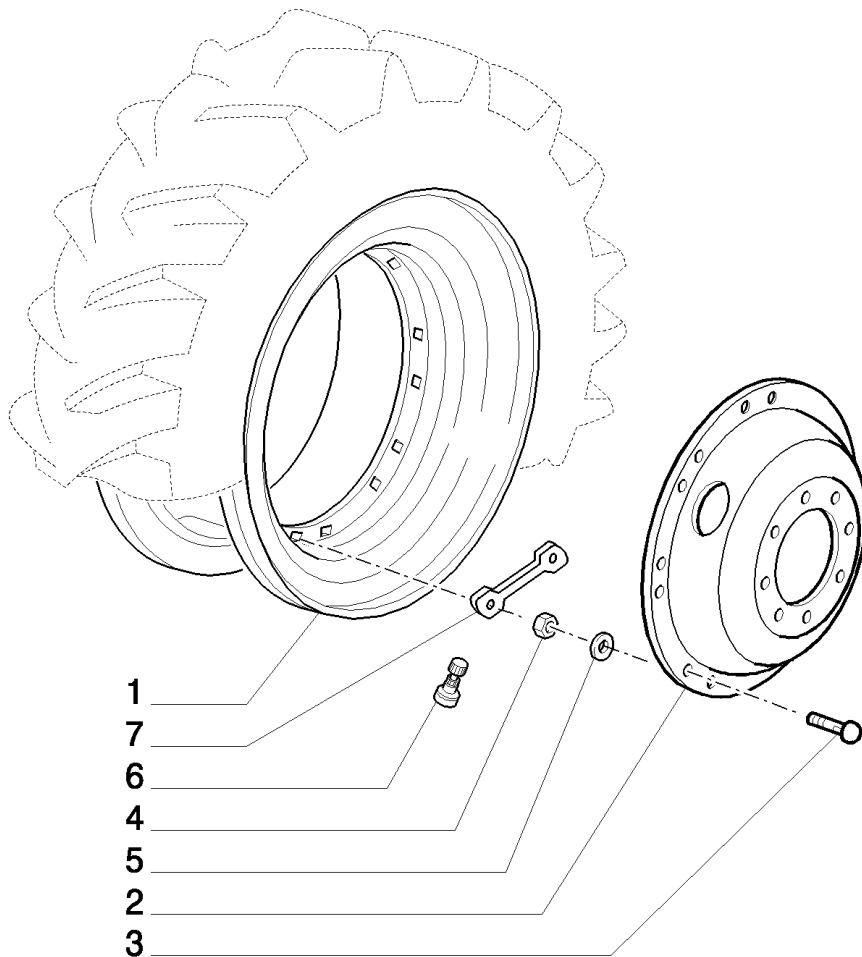
## 82.00(04) 4WD DRIVING WHEELS

сылка	Номер детали	Кол-во	Описание
1	82031123	2	RIM, W12 x 28
2	82031107	2	DISC, WHEEL,
3	82022305	24	BOLT, Coach, M16 x 1.5 x 58, 10.9,
4	12164121	24	NUT, M16 x 1.5, CI 10,
5	82011967	24	WASHER,
6	85700224	2	VALVE STEM,
7	82031090	24	SPACER,

Equip. 88.51/1, 82.51, 82.41/4, 82.41/5 Only for MXM120, MXM130, MXM140



EQUIP.	TIRE SIZE	RIM
82.95	320/85 R38 R1W	W10X38
82.95/1	320/85 R38	W10X38



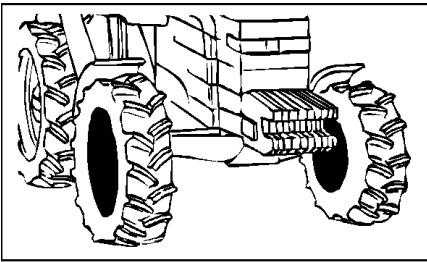
## MXM155 CASE IH TRACTOR (6/02- )

## 82.00(12) 4WD DRIVING WHEELS

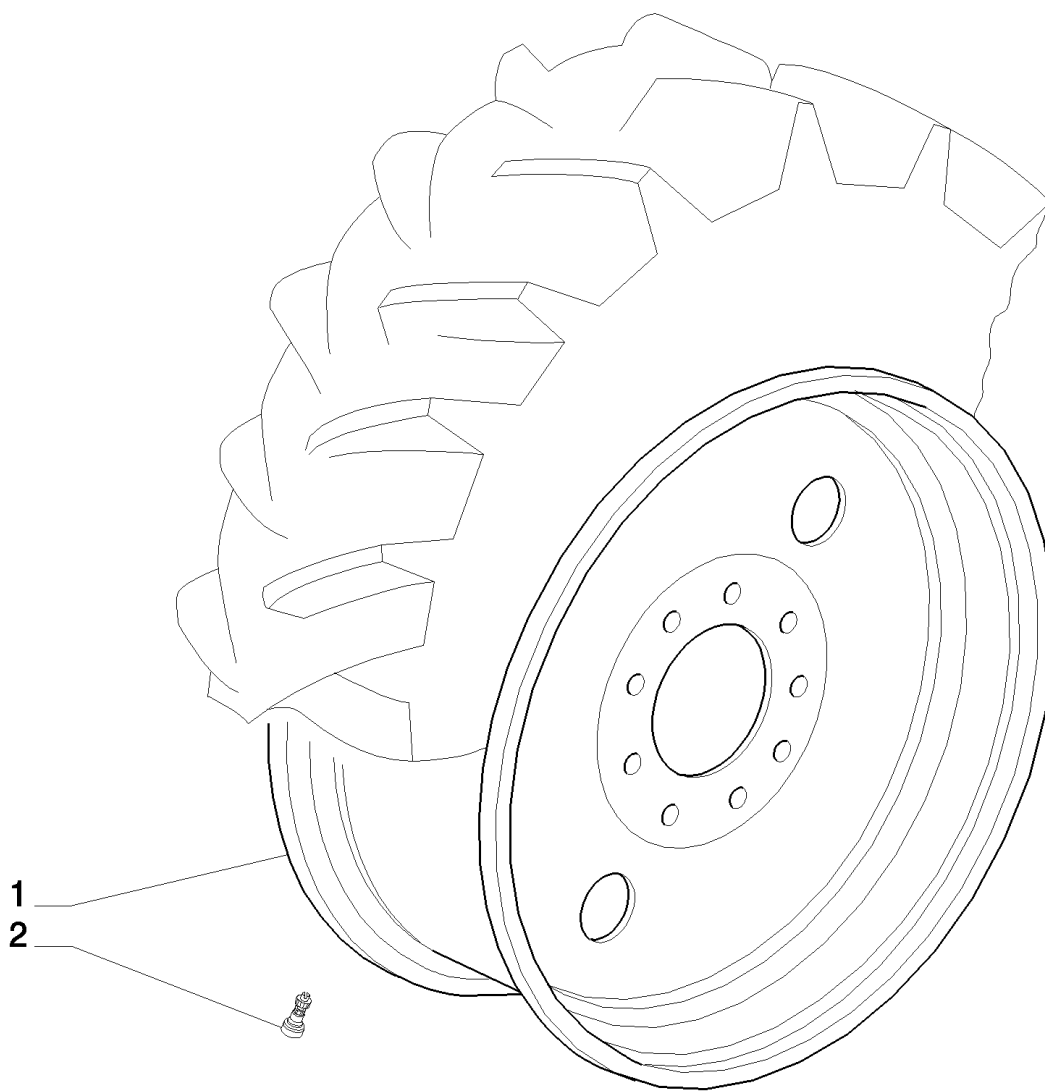
сылка	Номер детали	Кол-во	Описание
1	82031135	2	RIM, W10 x 38
2	82031137	2	DISC, WHEEL,
3	82022305	32	BOLT, Coach, M16 x 1.5 x 58, 10.9,
4	12164121	32	NUT, M16 x 1.5, CI 10,
5	82011967	32	WASHER,
6	85700224	2	VALVE STEM,
7	82031069	16	SPACER,

Equip. 82.95/1 Only for MXM120, MXM130, MXM140□





EQUIP.	TIRE SIZE	RIM
88.25	480/65 R28 A8	W14X28
82.52/1	48/70 R28 DT812	W14X28

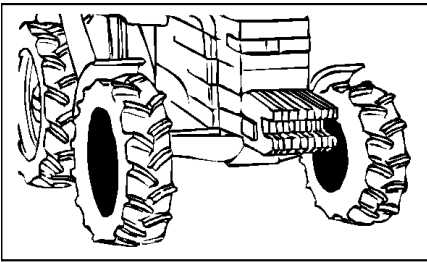


MXM155 CASE IH TRACTOR (6/02- )

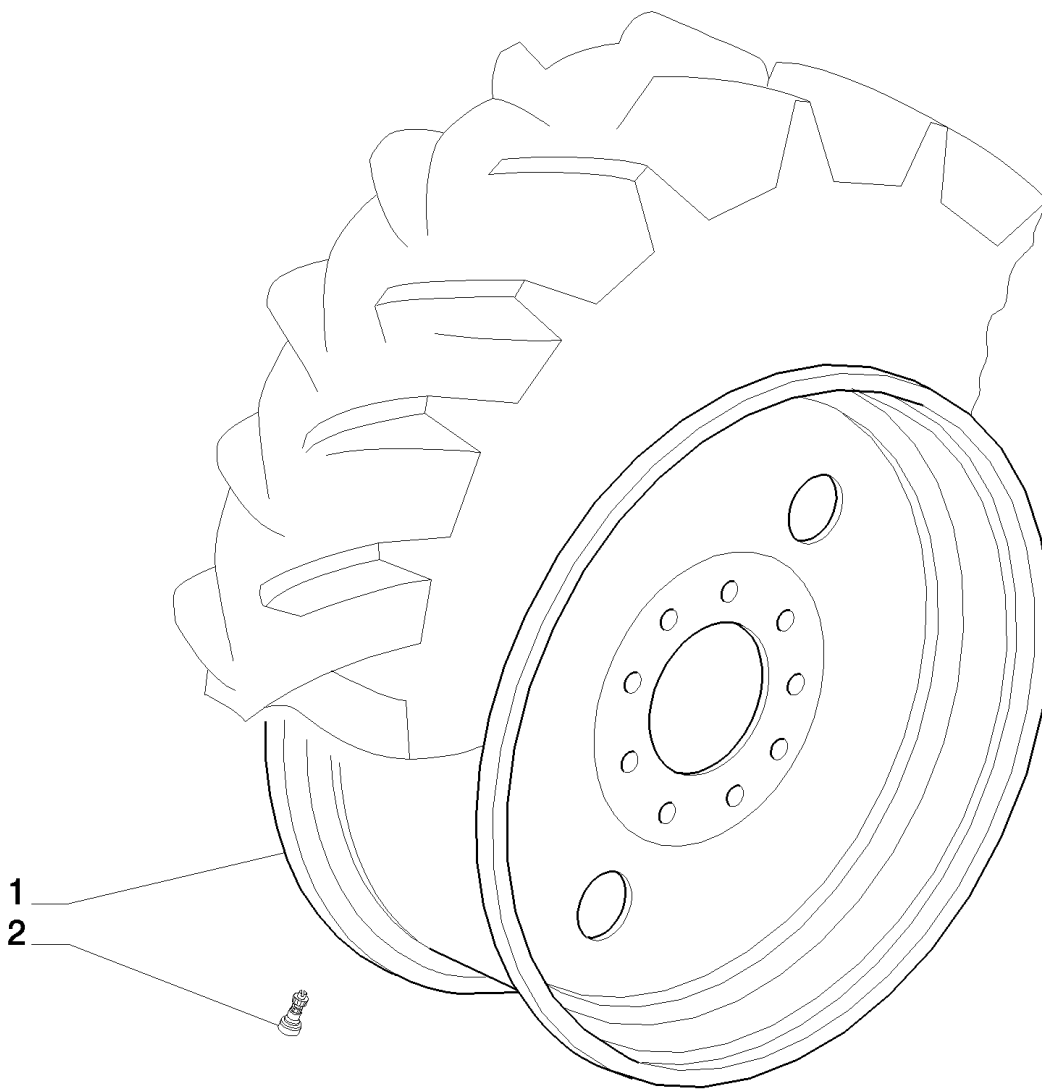
82.00(13) 4WD DRIVING WHEELS

сылка	Номер детали	Кол-во	Описание
1	82026377	2	WHEEL, W14 x 28
2	85700224	2	VALVE STEM,

Equip. 88.52/1 Only for MXM120, MXM130, MXM140



EQUIP.	TIRE SIZE	RIM
88.33	480/70 R28 A8 R1	W15X28
88.58	540/65 R28 A8 R1	W15X28

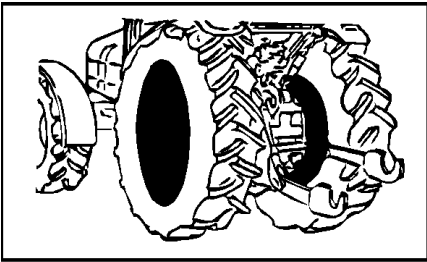


MXM155 CASE IH TRACTOR (6/02- )

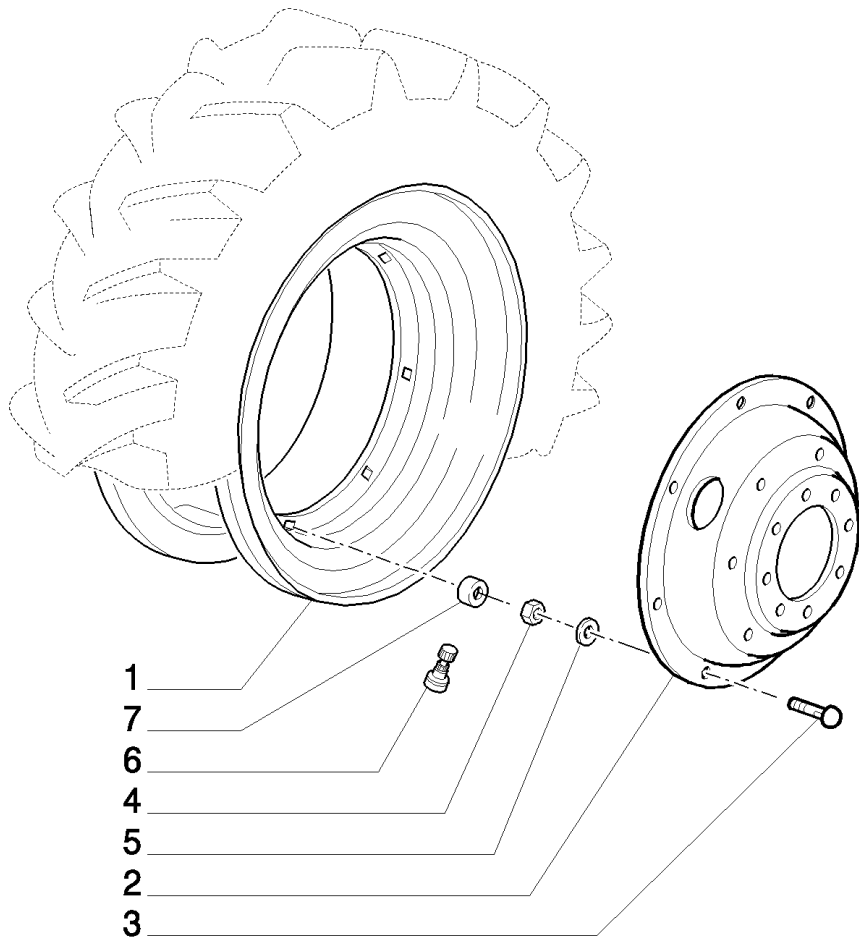
82.00(16) 4WD DRIVING WHEELS

сылка	Номер детали	Кол-во	Описание
1	82026609	2	WHEEL,
2	85700224	2	VALVE STEM,

83.00(03) DRIVE WHEELS



EQUIP.	TIRE SIZE	RIM
83.28	18.4 R38 (460/85) R38 A8	W15X38
83.28/1	18.4 R38	W15X38
83.28/2	18.4 38 8PR	W15X38
83.75	16.9 R38 (420/85) R38 A8	W15X38
89.78	520/70 R38	DW15LX38



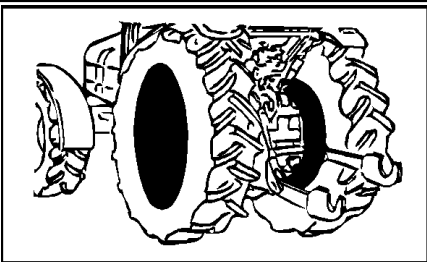
MXM155 CASE IH TRACTOR (6/02- )

83.00(03) DRIVE WHEELS

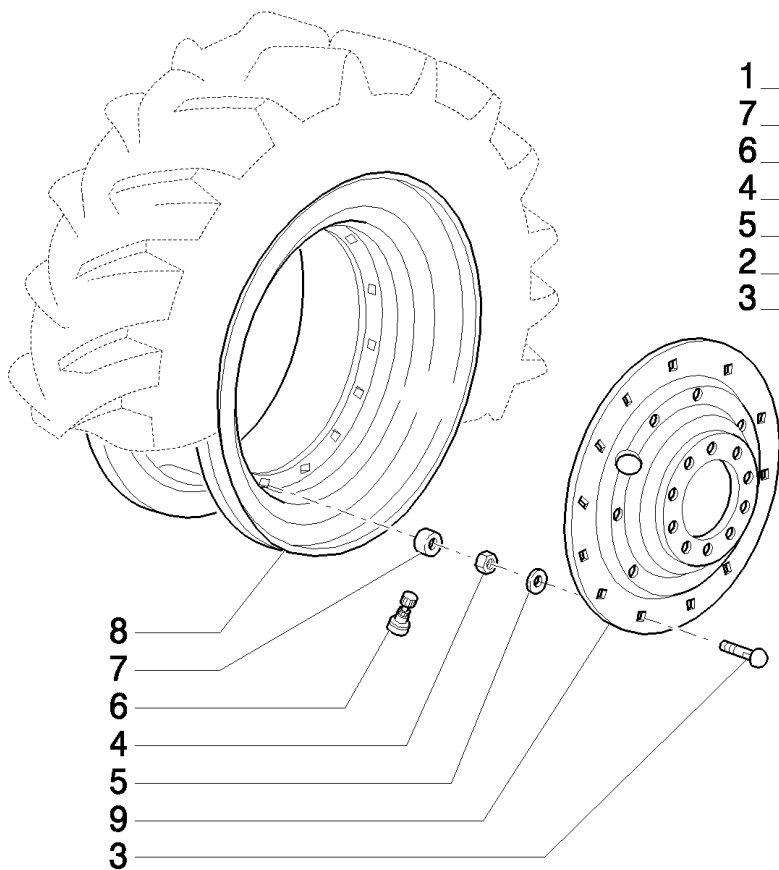
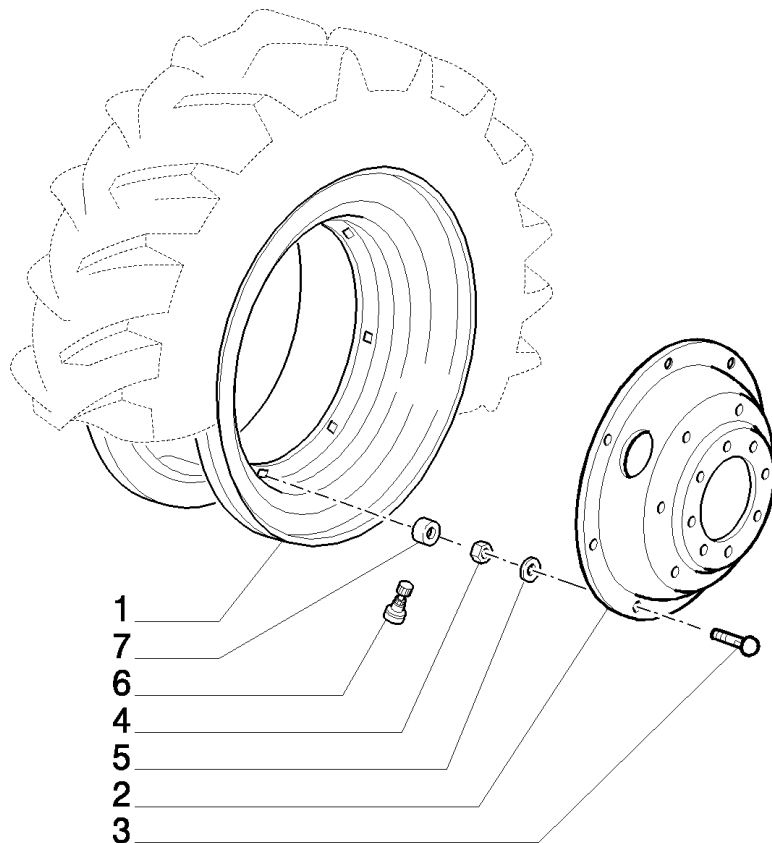
сылка	Номер детали	Кол-во	Описание
1	82031157	2	RIM, W15 x 38, -C5427
1	87520404	2	RIM, DW15L x 38, D5427-
2	82031195	2	DISC, WHEEL,
3	82022305	16	BOLT, Coach, M16 x 1.5 x 58, 10.9,
4	12164121	16	NUT, M16 x 1.5, CI 10,
5	82011967	16	WASHER,
6	85700224	2	VALVE STEM,
7	82031090	8	SPACER,

D5427 After Date 13 March 2006

83.00(04) DRIVE WHEELS



EQUIP.	TIRE SIZE	RIM
83.80	20.8 R38 (520/85 R38) A8 R1	W18X38
83.80/1	20.8 38 10PR R1	W18X38
83.80/2	20.8 R38 R1	W18X38
84.80	20.8 R38 R1	W18X38
84.80/1	20.8 R38 (520/85 R38) A8 R1	W18X38
85.80	20.8 R38 R2	W18X38
89.69/1	600/65 R38 A8R1	W18X38
89.86	650/65 R38 A8 R1	W18X38
89.84	560/70 R38 A8 R1	W18X38



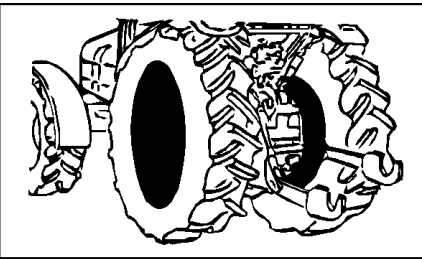
## MXM155 CASE IH TRACTOR (6/02- )

## 83.00(04) DRIVE WHEELS

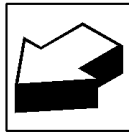
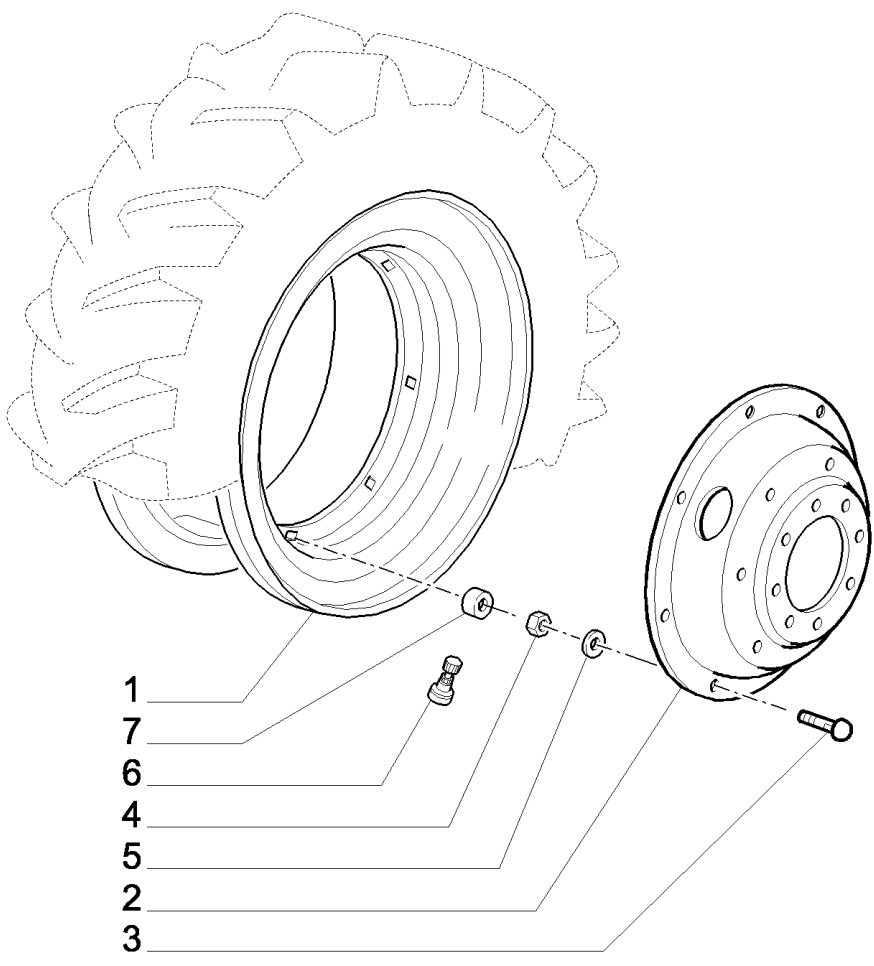
сылка	Номер детали	Кол-во	Описание
1	82031159	2	RIM, W18 x 38
2	82031195	2	DISC, WHEEL,
3	82022305	16	BOLT, Coach, M16 x 1.5 x 58, 10.9,
4	12164121	16	NUT, M16 x 1.5, CI 10,
5	82011967	16	WASHER,
6	87323751	2	VALVE STEM,
7	82031090	8	SPACER,
8	82031181	2	RIM, 18 x 38, For MXM175, MXM190 W/Equip. 89.84, 89.86
9	82031205	2	DISC, WHEEL, , For MXM175, MXM190 W/Equip. 89.84, 89.86



83.00(05) DRIVE WHEELS



EQUIP.	TIRE SIZE	RIM
83.70	14.9 R46	W12X46
84.70	14.9 R46 R1	W12X46

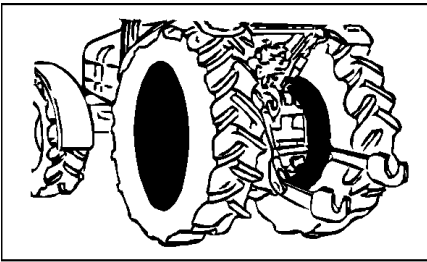


## MXM155 CASE IH TRACTOR (6/02- )

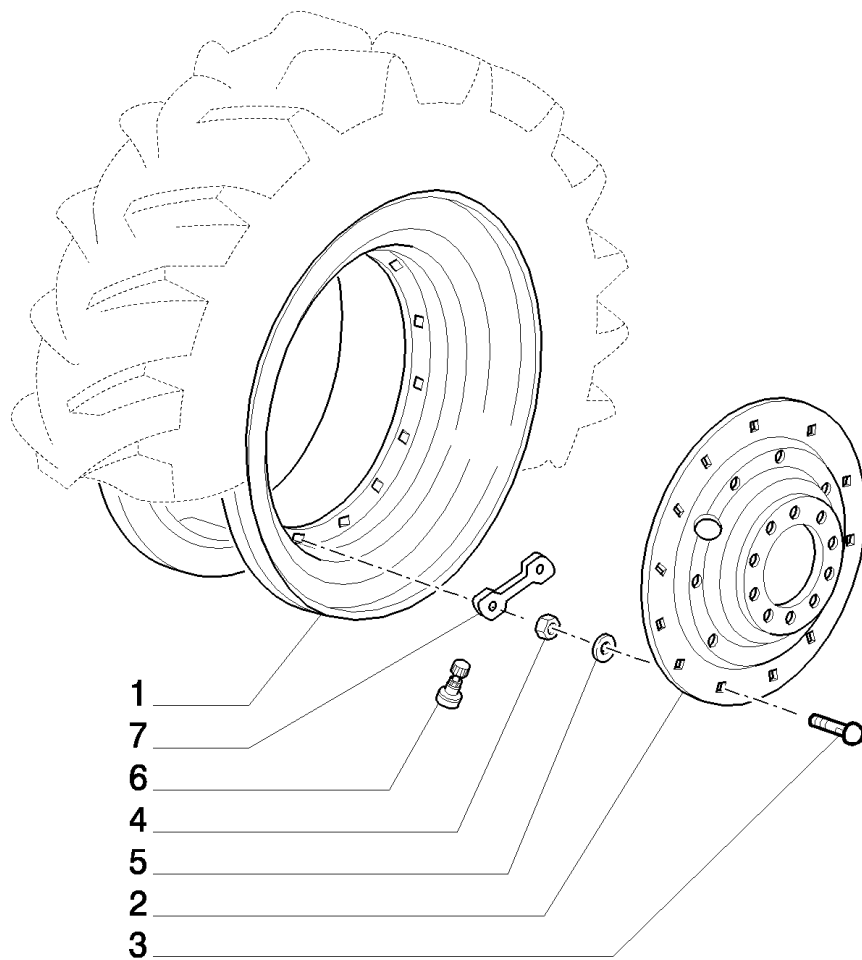
## 83.00(05) DRIVE WHEELS

сылка	Номер детали	Кол-во	Описание
1	82031161	2	RIM, W12 x 46
2	82031195	2	DISC, WHEEL,
3	82022305	16	BOLT, Coach, M16 x 1.5 x 58, 10.9,
4	12164121	16	NUT, M16 x 1.5, CI 10,
5	82011967	16	WASHER,
6	85700224	2	VALVE STEM,
7	82031090	16	SPACER,

83.00(06) DRIVE WHEELS



EQUIP.	TIRE SIZE	RIM
83.44	320/90 R54	W10X54
84.61	320/90 R54 R1W	W10 x 54

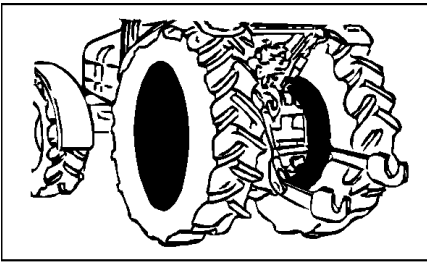


## MXM155 CASE IH TRACTOR (6/02- )

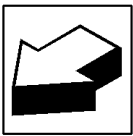
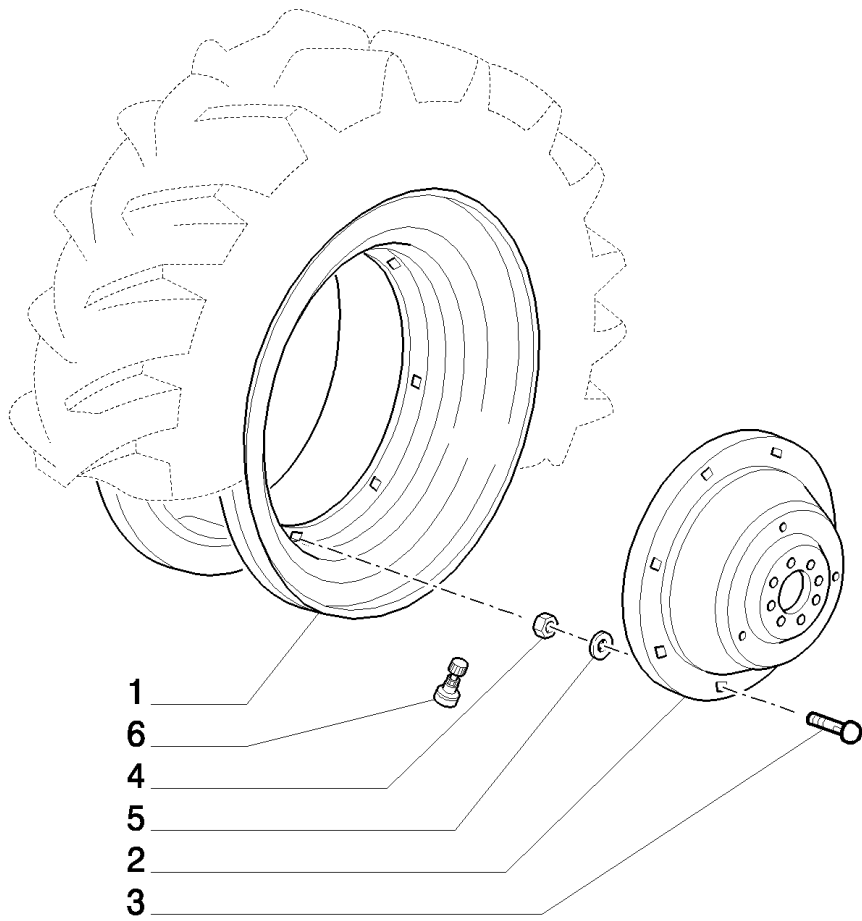
## 83.00(06) DRIVE WHEELS

сылка	Номер детали	Кол-во	Описание
1	82031179	2	RIM, W10 x 54
2	82031203	2	DISC, WHEEL,
3	82022305	32	BOLT, Coach, M16 x 1.5 x 58, 10.9,
4	12164121	32	NUT, M16 x 1.5, CI 10,
5	82011967	32	WASHER,
6	85700224	2	VALVE STEM,
7	82018745	16	SPACER,

83.00(07) DRIVE WHEELS



EQUIP.	TIRE SIZE	RIM
83.34	18.4 R38 R1	W16X38

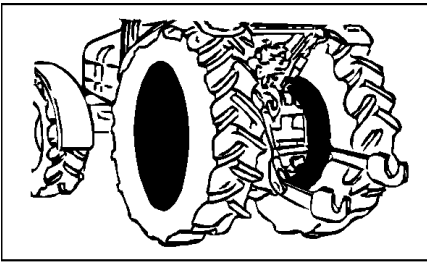


## MXM155 CASE IH TRACTOR (6/02- )

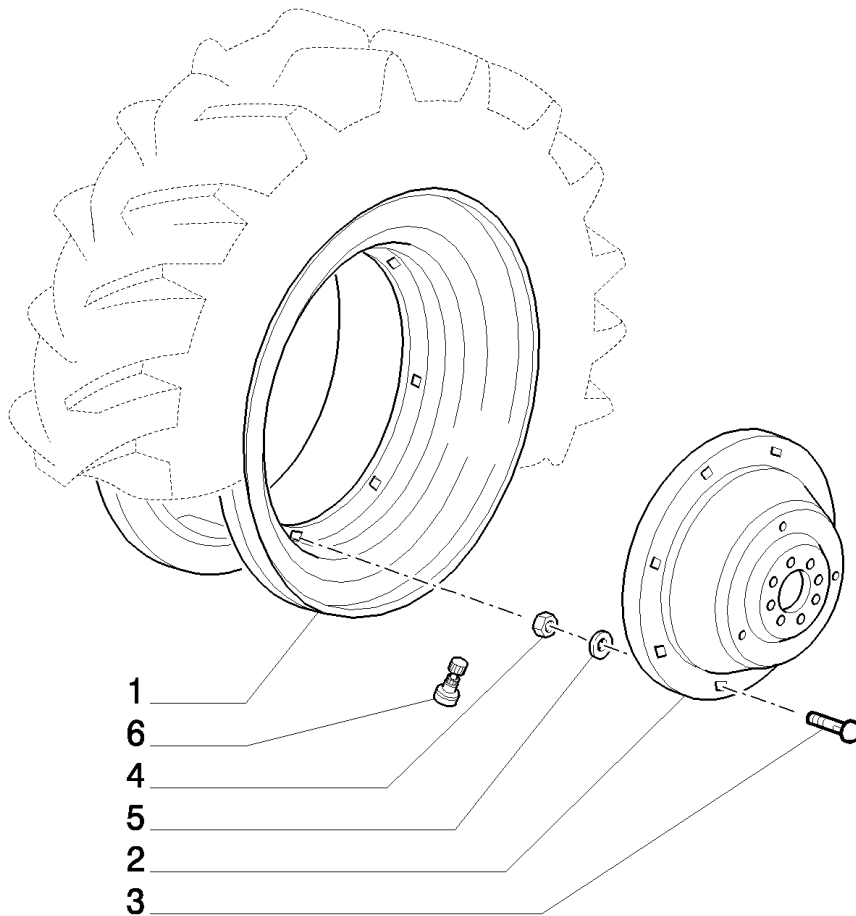
## 83.00(07) DRIVE WHEELS

сылка	Номер детали	Кол-во	Описание
1	82031165	2	RIM, W15 x 38
2	47127643	2	DISC, WHEEL,
3	87577244	16	SCREW, Coach , M16 x 1.5 x 74, CI 10.9
4	12164121	16	NUT, M16 x 1.5, CI 10,
5	82011967	16	WASHER,
6	85700224	2	VALVE STEM,

83.00(08) DRIVE WHEELS



EQUIP.	TIRE SIZE	RIM
83.33	20.8 R38 1	W18X38
83.33/1	20.8 R38 10PR R1	W18X38
84.24	20.8 R38	W18X38
84.80/2	20.8 R38 1	W18X38



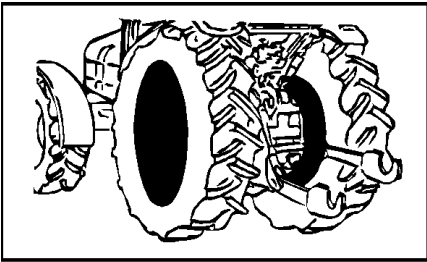
MXM155 CASE IH TRACTOR (6/02- )

83.00(08) DRIVE WHEELS

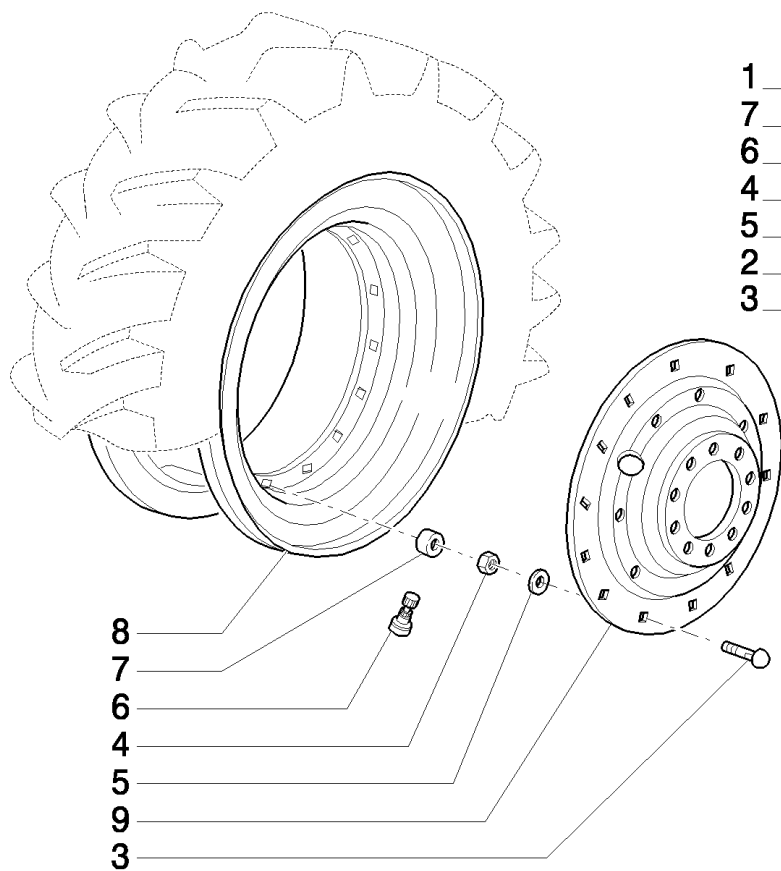
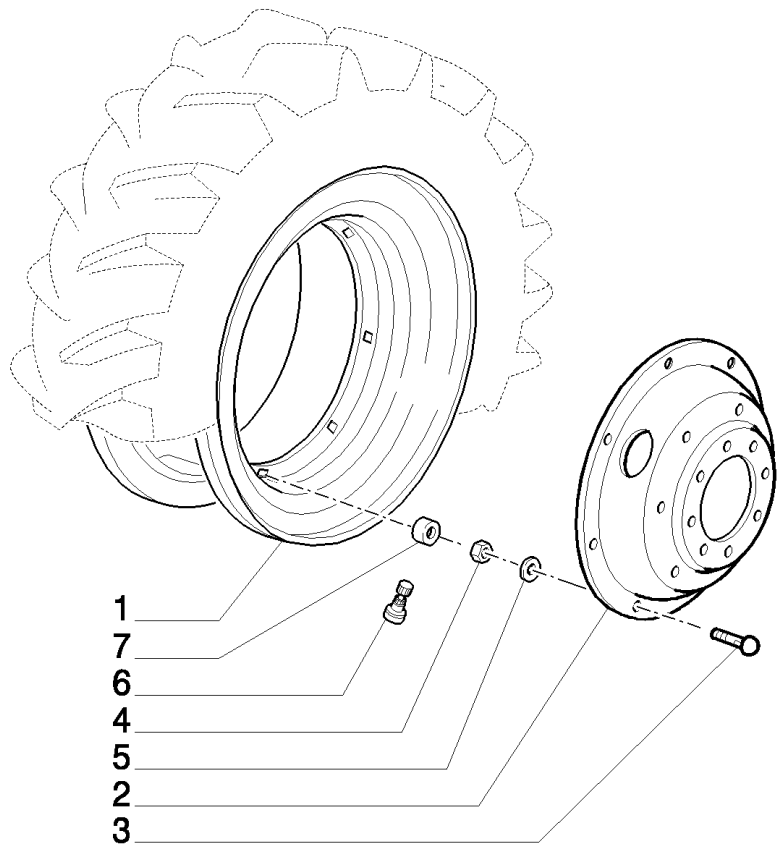
сылка	Номер детали	Кол-во	Описание
1	82031167	2	RIM, W18 x 38
2	47127643	2	DISC, WHEEL,
3	87577244	16	SCREW, Coach , M16 x 1.5 x 74, CI 10.9
4	12164121	16	NUT, M16 x 1.5, CI 10,
5	82011967	16	WASHER,
6	85700224	2	VALVE STEM,



83.00(09) DRIVE WHEELS



EQUIP.	TYRE SIZE	RIM
83.88	18.4 R42 R1	W16X42
83.88/1	18.4 R42 R1	W15X42
84.88/1	18.4 R42 R1	W16X42

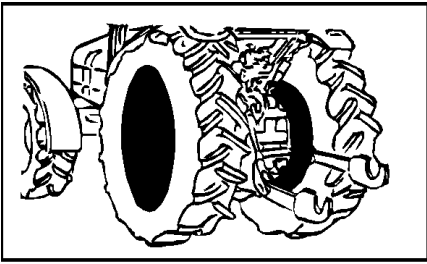


## MXM155 CASE IH TRACTOR (6/02- )

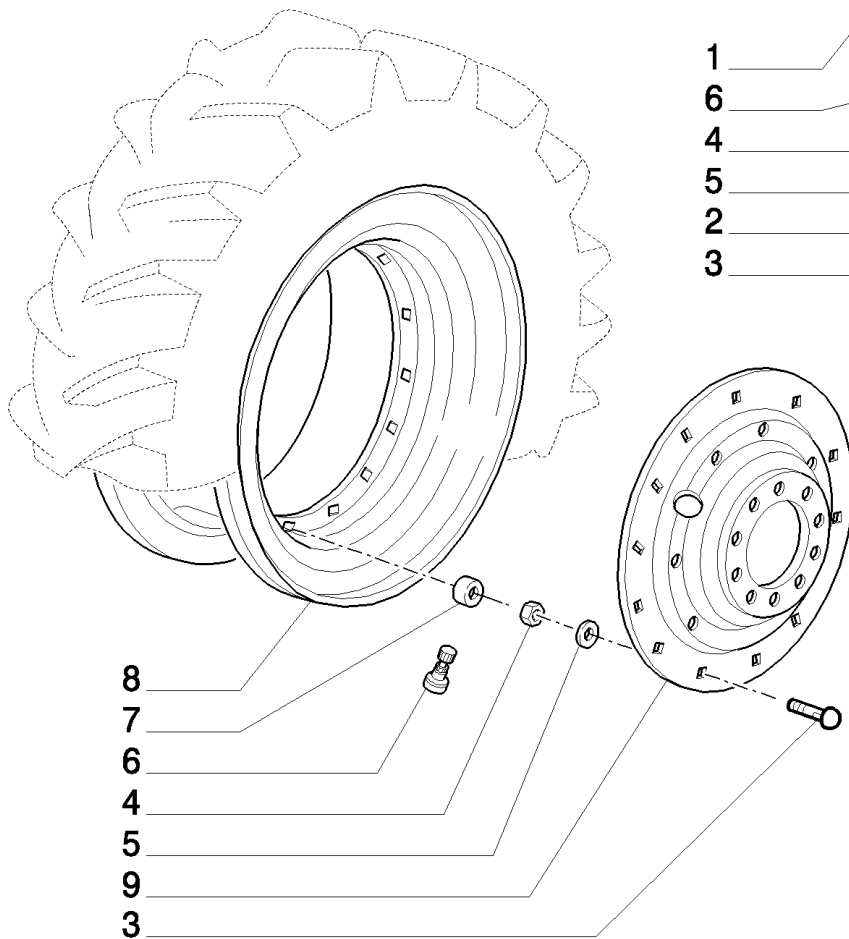
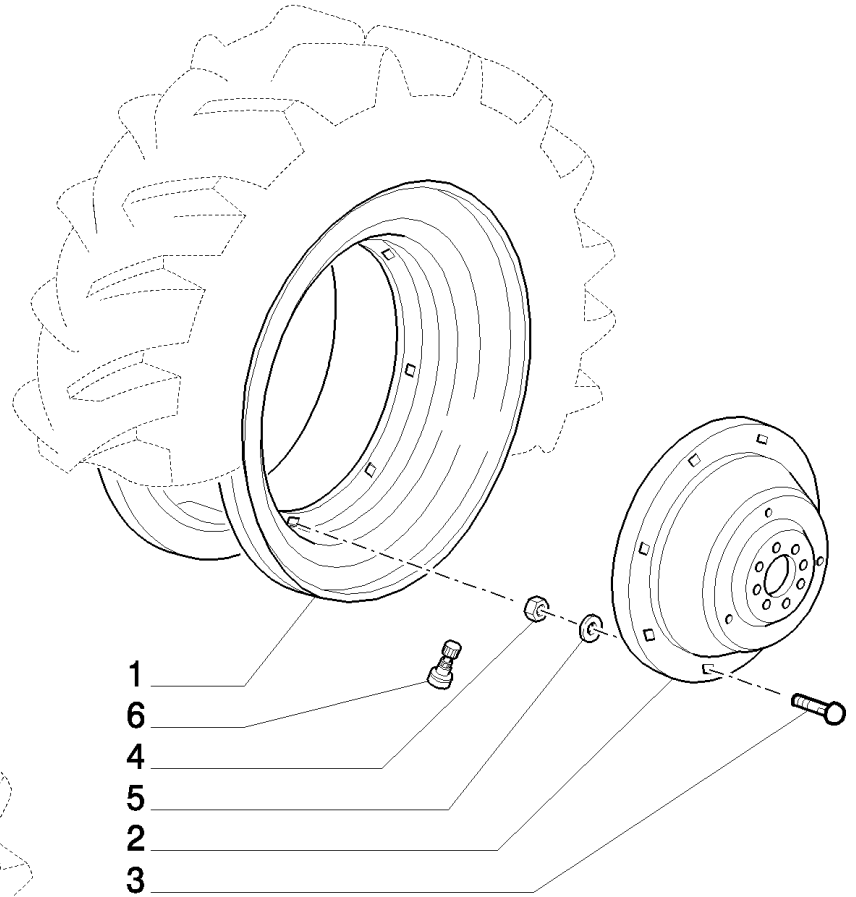
## 83.00(09) DRIVE WHEELS

сылка	Номер детали	Кол-во	Описание
1	82031169	2	RIM, W16 x 42
2	82031195	2	DISC, WHEEL,
3	82022305	16	BOLT, Coach, M16 x 1.5 x 58, 10.9,
4	12164121	16	NUT, M16 x 1.5, CI 10,
5	82011967	16	WASHER,
6	85700224	2	VALVE STEM,
7	82031090	16	SPACER,
8	82031183	2	RIM, W15 x 42, For MXM175, MXM190 W/Equip 83.88/1 only
9	82031205	2	DISC, WHEEL, , For MXM175, MXM190 W/Equip 83.88/1 only

83.00(11) DRIVE WHEELS



EQUIP.	TYRE SIZE	RIM
83.84	18.4 R42 R1	W15X42
83.90	18.4 R42 A8 R1	W15X42
84.88	18.4 R42 R1	W15X42
84.91	18.4 R42 A8 R1	W15X42

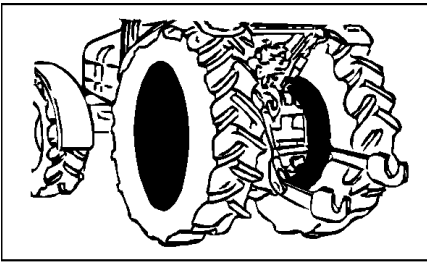


## MXM155 CASE IH TRACTOR (6/02- )

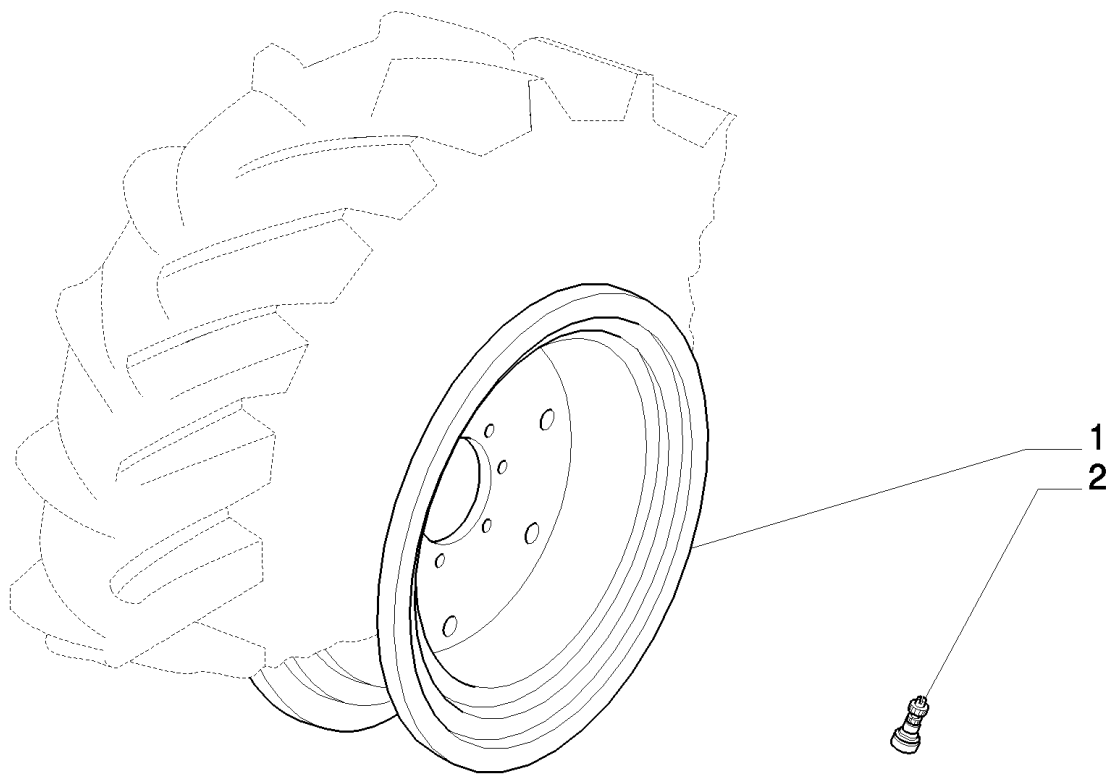
## 83.00(11) DRIVE WHEELS

сылка	Номер детали	Кол-во	Описание
1	82031173	2	RIM, W15 x 42
2	47127643	2	DISC, WHEEL, Cast
3	87577244	16	SCREW, Coach , M16 x 1.5 x 74, CI 10.9
3	82022305	32	BOLT, Coach, M16 x 1.5 x 58, 10.9,
4	12164121	16	NUT, M16 x 1.5, CI 10,
5	82011967	16	WASHER,
6	85700224	2	VALVE STEM,
7	82031090	32	SPACER,
8	82031183	2	RIM, W15 x 42
9	82031205	2	DISC, WHEEL, 10 Holes

83.00(19) DRIVE WHEELS



EQUIP.	TIRE SIZE	RIM
89.49	520/70 R38 A8 R1	W18X38
89.75/1	580/70 R38 A8 R1	W18X38

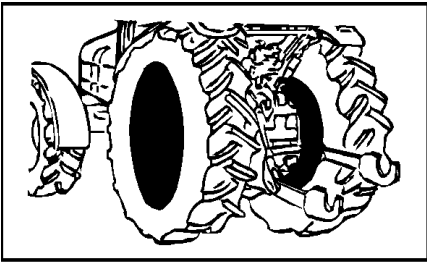


MXM155 CASE IH TRACTOR (6/02- )

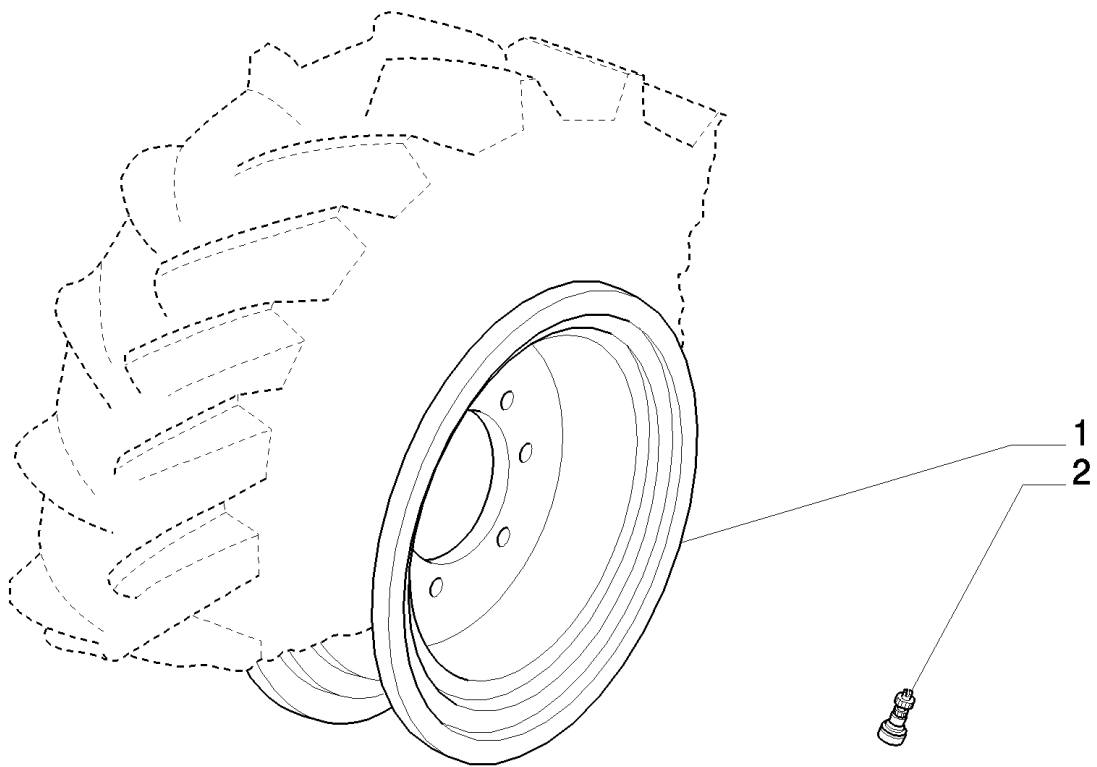
83.00(19) DRIVE WHEELS

сылка	Номер детали	Кол-во	Описание
1	82027050	2	WHEEL, W18 x 38
2	85700224	2	VALVE STEM,

83.00(27) DRIVE WHEELS



EQUIP.	TYRE SIZE	RIM
88.59	600-60 R28	DW20AX28



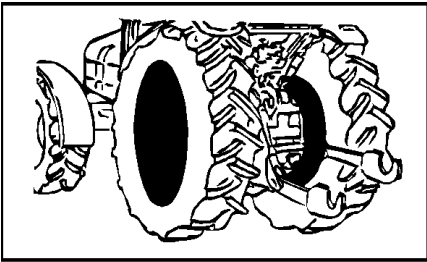
MXM155 CASE IH TRACTOR (6/02- )

83.00(27) DRIVE WHEELS

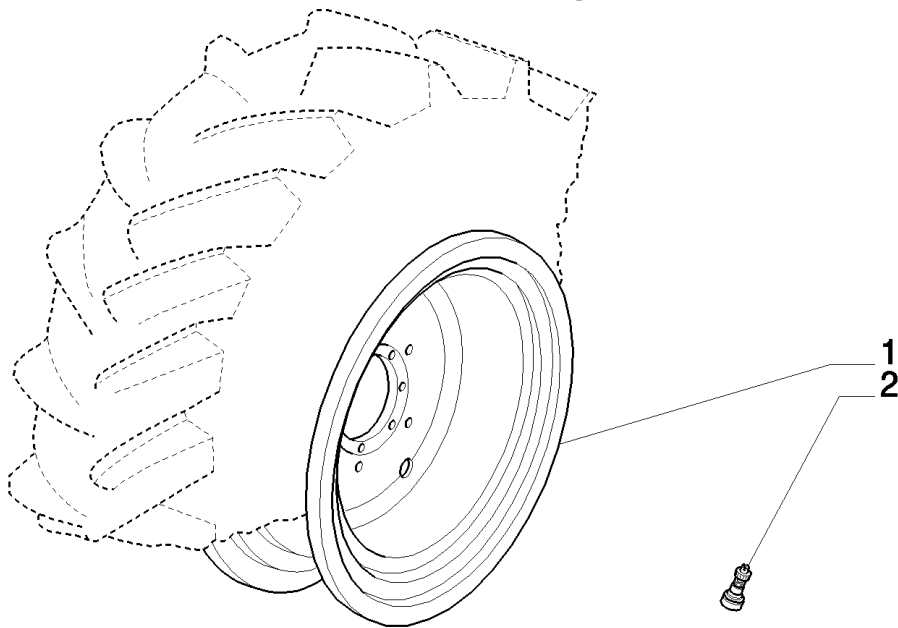
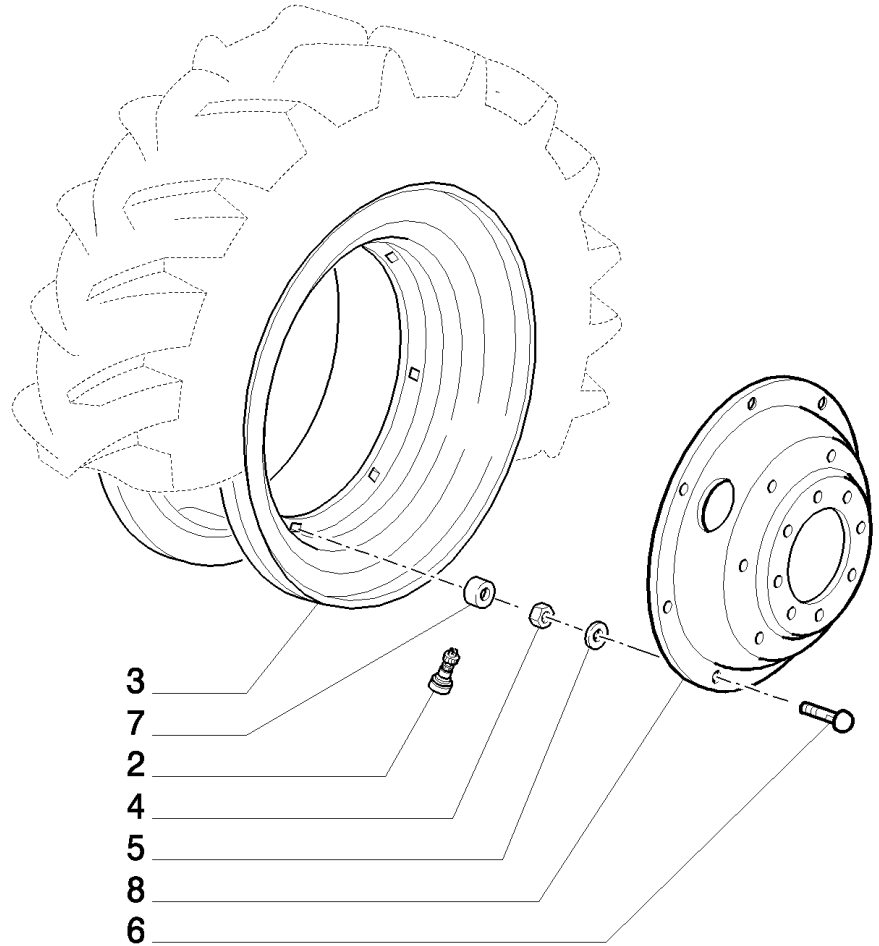
сылка	Номер детали	Кол-во	Описание
1	87369490	2	RIM, W18 x 38
2	87323751	2	VALVE STEM,



83.00(28) DRIVE WHEELS



EQUIP.	TYRE SIZE	RIM
89.91	710/60 R38	DW25AX38



## MXM155 CASE IH TRACTOR (6/02- )

## 83.00(28) DRIVE WHEELS

сылка	Номер детали	Кол-во	Описание
1	87369486	2	RIM, DW25A x 38
2	87323751	2	VALVE STEM,
3	87392101	2	RIM, DW25A x 38
4	12164124	8	NUT, M16 x 1.5, CI 8,
5	82011967	8	WASHER,
6	82022305	8	BOLT, Coach, M16 x 1.5 x 58, 10.9,
7	82031090	8	SPACER,
8	82031195	2	DISC, WHEEL,

